

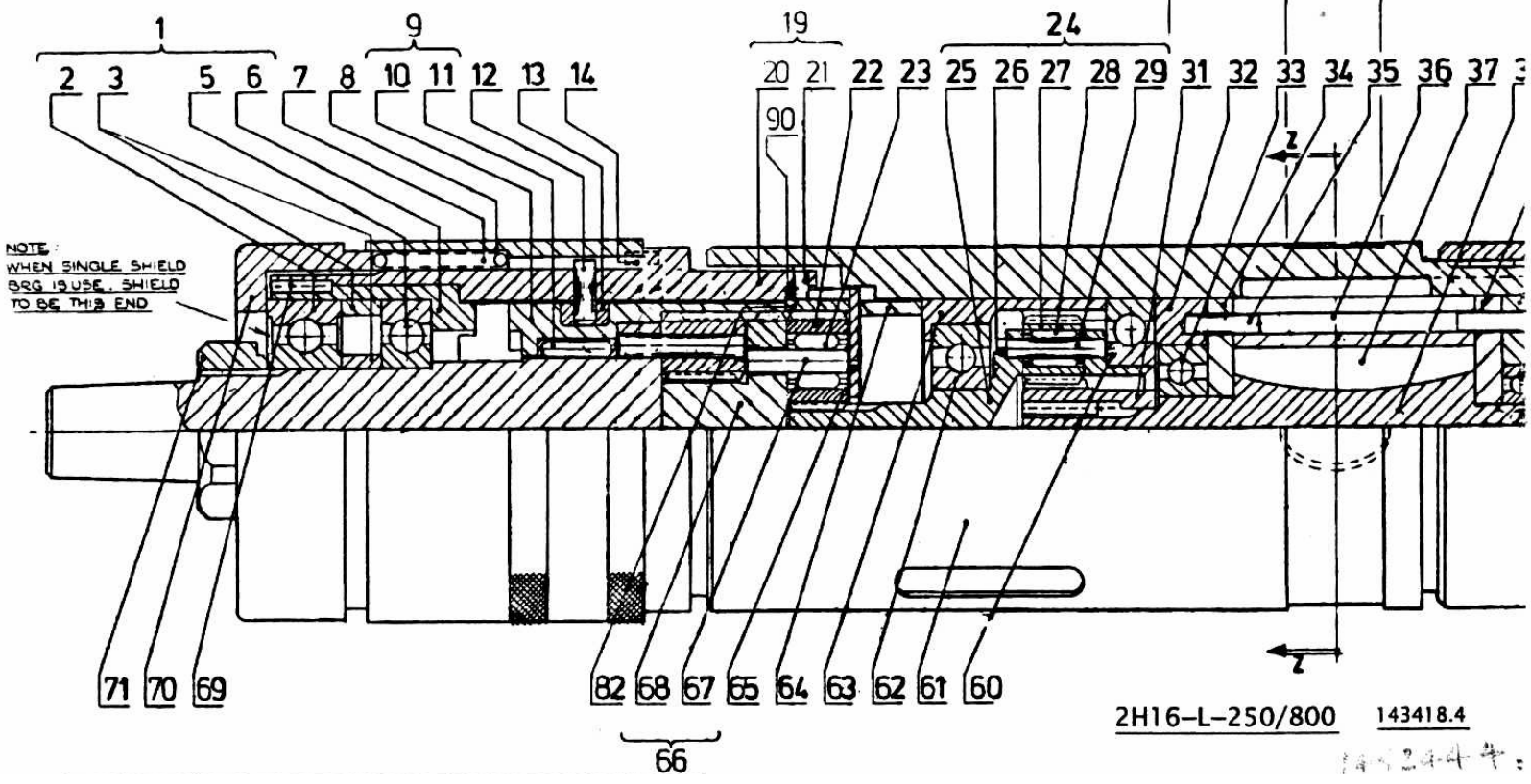
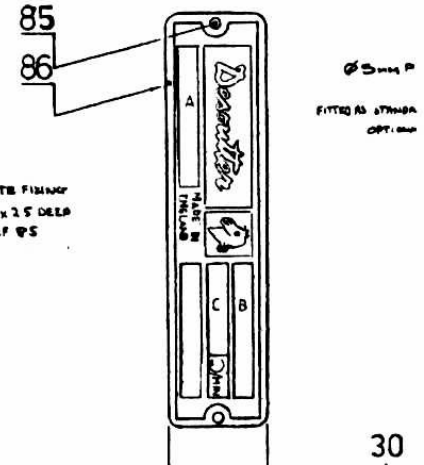


Parts Sheet □ 2H16 - L

Tool Sectional - 1

Providence, RI 02904 1 800 353 4676. FAX 1 401 353 0113 , http://www.desouttertools.com

NAMEPLATE MARKINGS					
QTY	PART NO	DESCRIPTION	'A'	'B'	'C'
2	14 34 18 4	2H16-L-250/800	SERIAL NO.	2H16-L	250/800
2	14 34 26 4	2H16-L-100/500	"	2H16-L	100/500
3	14 34 34 4	2H16-L-90/250	"	2H16-L	90/250



2H16-L-250/800 143418.4

143418.4

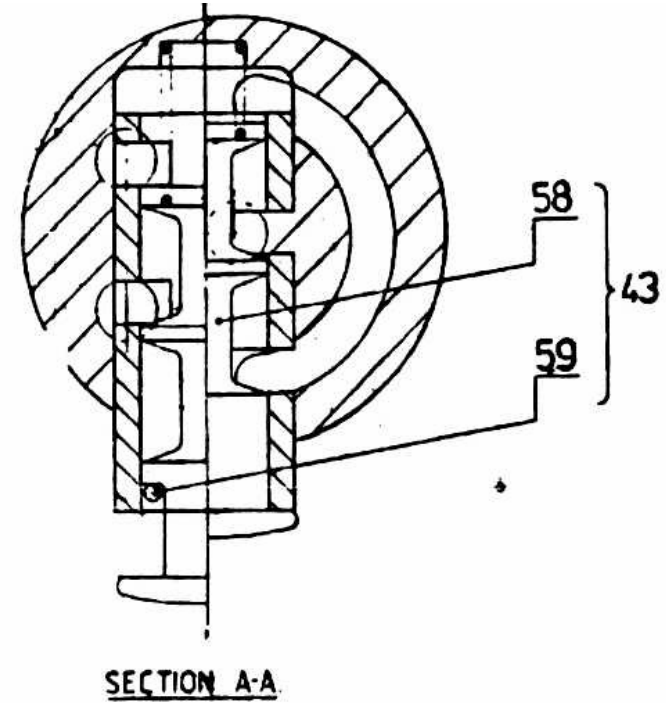
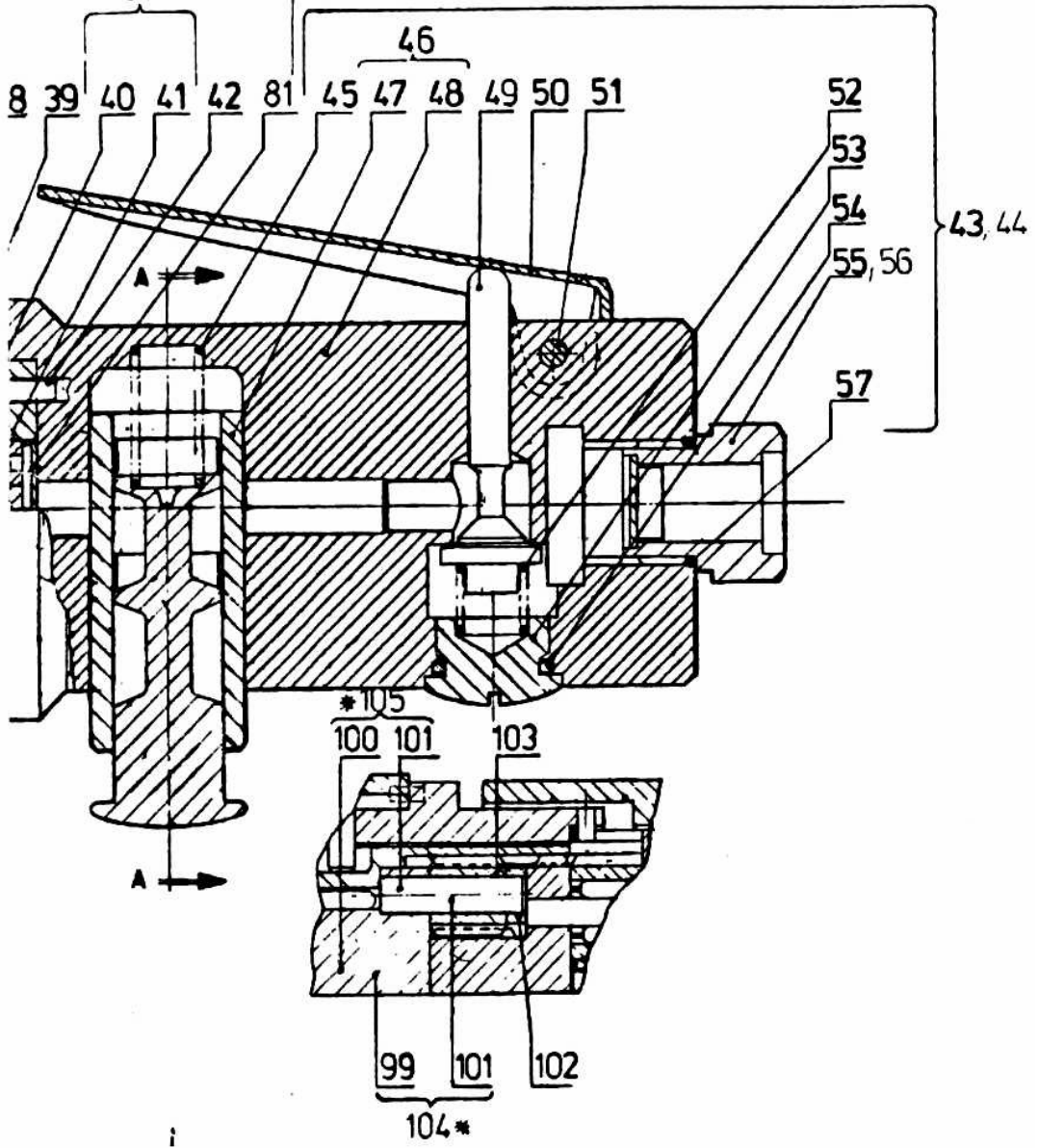


Parts Sheet 2H16 - L

Lou Zampini & Associates 37 Conifer Drive North Providence, RI 02904 1 800 353 4676. FAX 1 401 353 0113 , http://www.desouttertools.com

Other Speeds All Other
Parts As Above

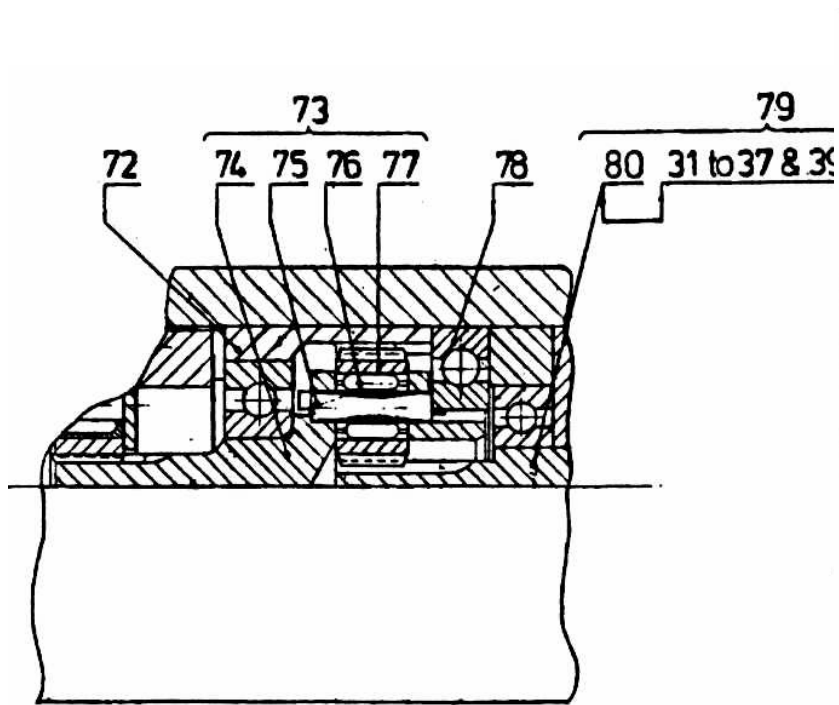
Tool Sectional - 2



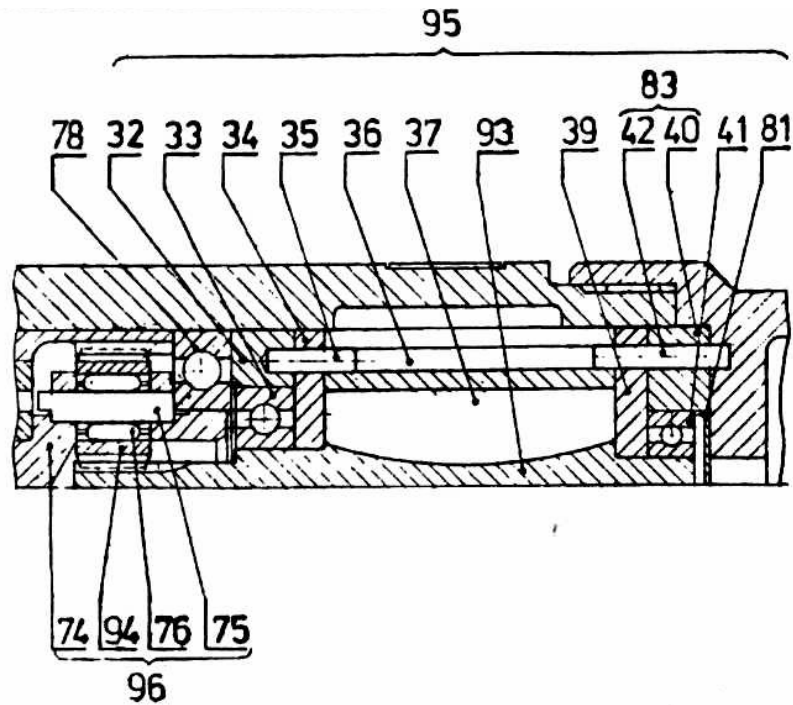


Parts Sheet □ 2H16 - L

Lou Zampini & Associates 37 Conifer Drive, North Providence, RI 02904 1 800 353 4676. FAX 1 401 353 0113 , <http://www.desouttertools.com>



2H16-L-160/500 143426.4



2H16-L-90/250 143434.4

Greasing & Torque Values



Parts Sheet □ 2H16 - L

Lou Zampini & Associates 37 Conifer Drive, North Providence, RI 02904 1 800 353 4676. FAX 1 401 353 0113 , <http://www.desouttertools.com>

GREASING INSTRUCTION		
<u>MOTOR BEARINGS</u> Fill with 0.1 ml of 273283 grease.	<u>GEARING</u> Fill teeth of each gear with 273273 grease.	<u>SPLINES & PINIONS</u> Smear grease 208883 on mating surfaces.
<u>GEARBOX BEARINGS</u> Pack one side with 273273 grease.	<u>BEVEL GEARS</u> Fill teeth with 208883 grease.	<u>'O' RINGS</u> Smear surface with 158733 grease.

TORQUE INSTRUCTIONS		
ITEM No.	DESCRIPTION	TORQUE (Nm)
55/56 - 48	AIR INLET ADAPTOR - CONTROL TOP	11.0 - 13.5
53 - 48	VALVE CAP - CONTROL TOP	11.0 - 13.5
48 - 61	CONTROL TOP - MOTOR CASE	HT
71	SPINDLE NUT	22
70 - 20	END CAP - GEARBOX CASE	40 - 47.5
20 - 61	GEARBOX CASE - MOTOR CASE	54



Parts Sheet □ 2H16 - L

Lou Zampini & Associates 37 Conifer Drive, North Providence, RI 02904 1 800 353 4676. FAX 1 401 353 0113 , http://www.desouttertools.com

61	27793.3	CASE	1
62	960.8	BEARING	1
63	564.3	GEAR RING	1
64	27585.3	SPACER	1
65	27586.3	WASHER	1
66	27587.3	PLANET CARRIER ASSY	1
67	27589.3	PLANET PIN	3
68	27588.3	PLANET CARRIER	1
69	27590.3	KEY 2SK 3/32" x 3/8" LG	1
70	27794.3	END CAP	1
71	27592.3	NUT	1
72	530.3	GEAR RING	1
73	595.3	PLANET CAGE C/PTE	1
74	565.3	PLANET CAGE	1
75	8001.3	PLANET PIN	2
76	50210.3	CAGED NEEDLE ROLLER ASSY	1
77	8000.3	PLANET WHEEL	1
78	167.3	BEARING	1
79	29001.3	MOTOR C/PTE (2WAY) 9T	1
80	26510.3	ROTOR	1
81	25677.3	END CAP	1
82	27598.3	GEAR RING	1
83	27608.3	REAR BRG HSG & PIN C/PTE	1
85	5485.3	NAMEPLATE DOME SCREW	2
86	35589.3	NAMEPLATE	1
87			1
88			1
89			1
90	29299.3	SAIM (IF REQUIRED)	1
29	145.3	PLANET PIN	2
30	27578.3	MOTOR C/PTE (2WAY)	1

31	27387.3	ROTOR PINION 18T	1
32	26506.3	FRONT BEARING HOUSING	1
33	8025.3	FRONT BEARING	1
34	26504.3	FRONT BEARING PLATE	1
35	25612.3	LOCATION PIN (FRONT)	1
36	26503.3	CYLINDER	1
37	943.3	ROTOR BLADE	3
38	26511.3	ROTOR	1
39	26505.3	REAR BEARING PLATE	1
40	26508.3	REAR BEARING HSG	1
41	50069.3	REAR BEARING	1
42	25611.3	LOCATION PIN REAR	1
43	27579.3	LEVER C/TOP C/PTE 1/4" B.S.P	1
44	27580.3	LEVER CONTROL TOP C/PTE 1/4" NPT	1
45	28489.3	REVERSE VALVE SPRING	1
46	27581.3	C/TOP & BUSH ASSY	1
47	27597.3	REVERSE VALVE BUSH	1
48	27596.3	CONTROL TOP	1
49	27582.3	AIR VALVE C/PTE	1
50	25257.3	LEVER	1
51	4163.3	LEVER PIN	1
52	3235.3	AIR VALVE SPRING	1
53	15207.3	AIR VALVE CAP	1
54	5421.3	O'RING	1
55	4295.3	AIR INLET ADAPTOR C/PTE 1/2" B.S.P	1
56	6713.3	AIR INLET ADAPTOR C/PTE 1/4" NPT	1
57	9985.3	O'RING	1
58	27583.3	REVERSING VALVE	1
59	26122.3	SPRING PIN	1
60	148.3	BEARING	1

STANDARD
OPTIONAL

*



Parts Sheet □ 2H16 - L

Lou Zampini & Associates 37 Conifer Drive, North Providence, RI 02904 1 800 353 4676. FAX 1 401 353 0113 , <http://www.desouttertools.com>.

91			
92			
93	26509.3	ROTOR	1
94	135.3	PLANET WHEEL	2
95	29030.3	MOTOR CPT.	1
96	760.3	PLANET CASE CPT.	1
97			

98			
99	29644.3	FINAL DRIVE CARRIER (B18)	1
100	29643.3	FINAL DRIVE CARRIER (B6)	1
101	29647.3	PLANET PIN	3
102	29630.3	SUPPORT PLATE	1
103	29648.3	PLANET WHEEL	3
104	29646.3	FINAL DRIVE CARRIER ASSY (B8)	1
105	29645.3	FINAL DRIVE CARRIER ASSY (B16)	1