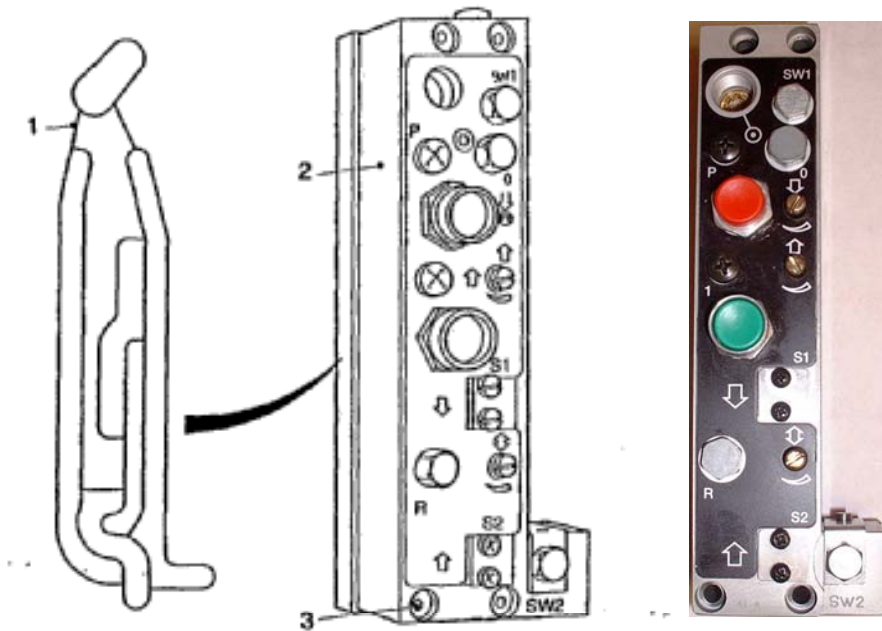


Main Breakdown



Item No	Part No	Description	Qty
1	370393	Seal	1
2	436313*	Block Complete with screws and seal	1
3	273653	Screw	4
* Supplied with 444513 BSP/NPT Adaptor Kit			
	2	1/8" BSP to NPT adaptors	
	1	1/4" BSP to NPT adaptor	

Page

2	Circuit Diagram
3	Spare Spool Valve and Seal Kits
4	Spare Start and Stop Button Assemblies
5	Depth Valve Assembly Details
6	Home/Datum Valve Assembly Details

Spare Parts Kits:

A1 Control Block Spool Valve Kit - Part No. 446923

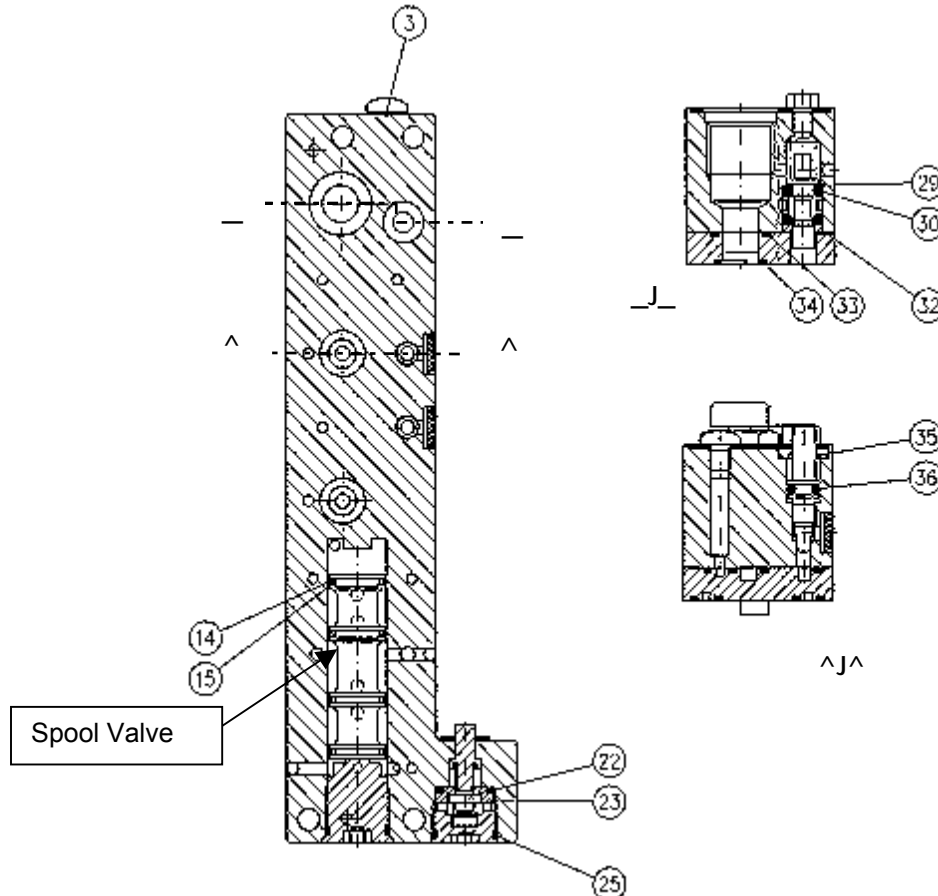
The kit contains the following parts:

Item No.	Reference No.	Description	Qty
14	91287420	Spool Valve with insertion tool	1
15	06636117	Glyd Ring 14.45x0.45x1.6	4
		O ring 10.1x1.6	4

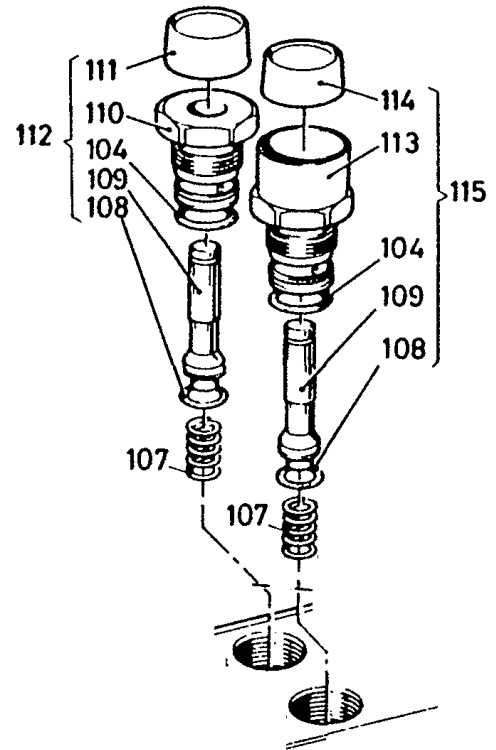
A1 Control Block Seal Kit - Part No. 370943

The kit contains the following parts:

Item No.	Reference No.	Description	Qty
3	91256745	Seal Washer M5, PA	1
14	91287420	Glyd Ring 14.45x0.45x1.6	4
15	06636117	O ring 10.1x1.6	4
22	06636119	O ring 12.1x1.6	1
23	91249605	Seal	1
25	06636120	O ring 13.1x1.6	2
29	91286167	Washer 9.5/6.5x0.4	1
30	91246941	O ring 5.3x2.4	2
32	9127362101	Washer 9.9/5.4x2	1
33	9126435102	Seal Upper	1
34	9126435101	Seal Lower	1
35	0335210109	Lock Ring Z1 12.0	3
36	06632110	O ring 3.3x2.4	3

Start and Stop Buttons – Available Parts

• 104	40503	'O' Ring	6
107	39783	Spring	3
• 108	43583	'O' Ring	2
109	202773	Valve Spindle	2
110	51793	Valve Body	1
111	202833	Button - Red	1
112	203763	Stop Valve Complete	1
113	256923	Valve Body Shrouded	1
114	202843	Button - Green	1
115	256913	Start Valve Complete	1

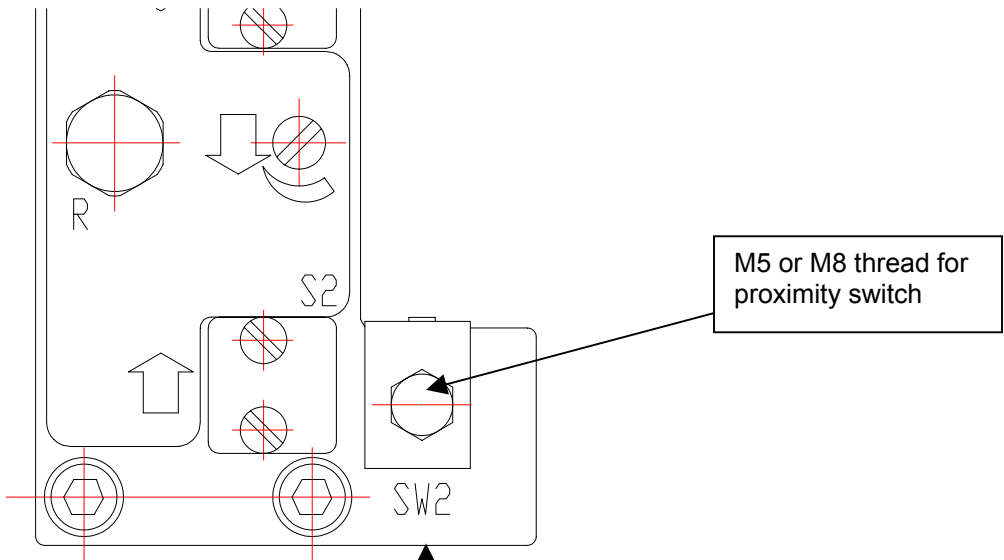


O Port or R Port Plug – 1/8" BSP Part Number 51873



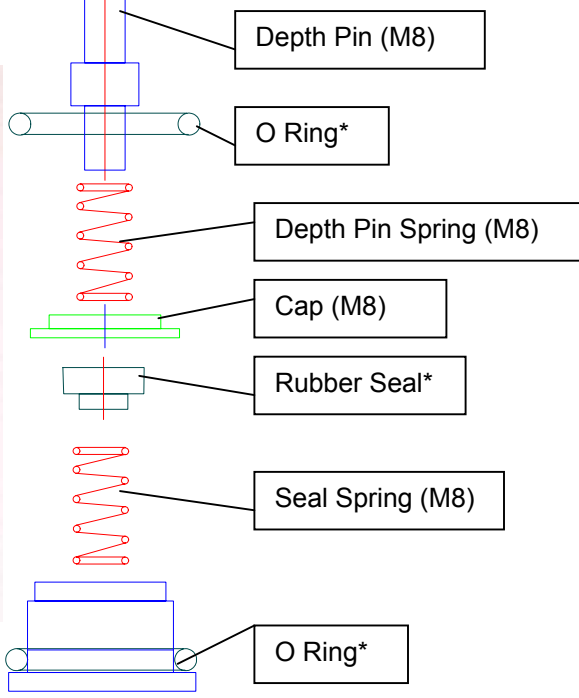
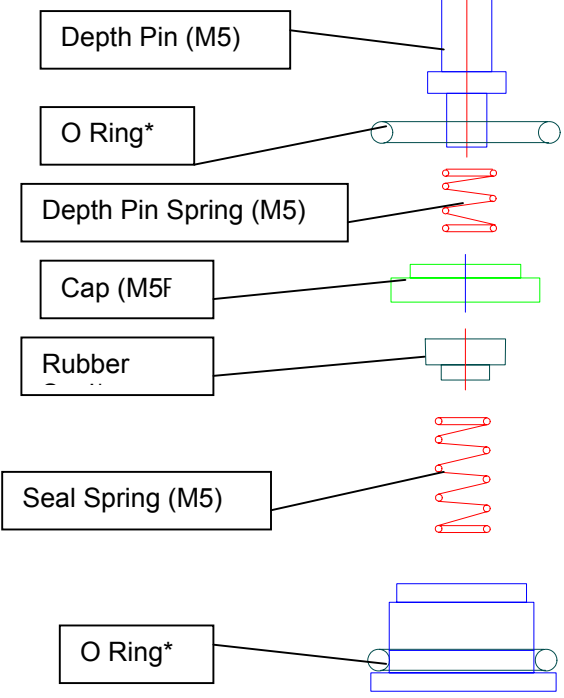
Assembly Details

Depth Valve



Assembly for M5 Thread Size
Spares no longer available

Assembly for M8 Thread Size
Part No - A1M8Depth



* Also Available in seal kit 370943

Assembly for M8 Thread Size
Part No A1M8Home

