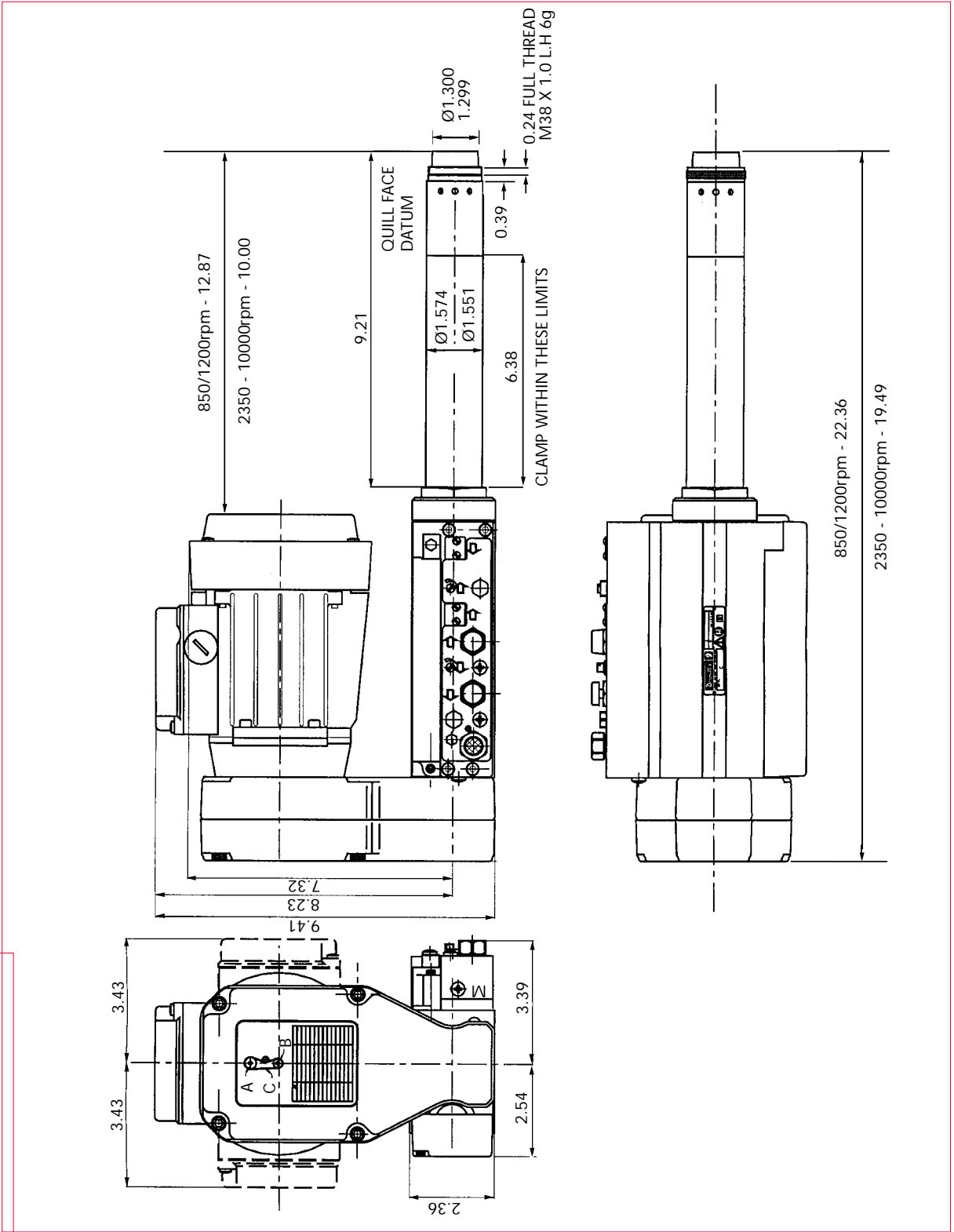


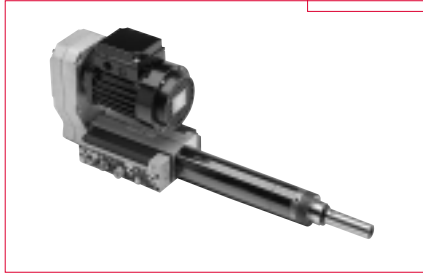
AFDE200 accessories

ACCESSORIES RANGE	PAGE
Control Blocks	28
Output Spindles	30
Multiple Spindle Heads	34
Clamps	38

AFDE200 electric drive



AFDE400/AFDE410 electric drive



- Comprehensive speed range 330-10000 rpm @ 50Hz, 400-11900 rpm @ 60Hz
- 0.44HP (0.33kW) and 1.00HP (0.75kW) options
- Capacity up to 3/8" (10mm) in aluminium or 5/16" (8mm) in mild steel
- Spindle sealed to IP64 standard
- Modular output spindles

AFDE400

drilling performance specification

TOOL TYPE	SPEED		POWER		CURRENT		THRUST		STROKE		WEIGHT		AIR CONSUMPTION		SOUND LEVEL
	rpm		kW	HP	Amps		N	lbf	mm	ins	kg	lb	l/s ²	cfm	dB(A)
model code	50Hz	60Hz	motor power		50Hz	60Hz	dynamic thrust		working stroke		weight		per cycle		
AFDE400-330	330	400	0.33	0.44	0.95	0.95	724	163	100	3.94	11.4	25.1	<1	<0.04	<70
AFDE400-550	550	660	0.33	0.44	0.95	0.95	724	163	100	3.94	11.4	25.1	<1	<0.04	<70
AFDE400-900	900	1100	0.33	0.44	0.95	0.95	724	163	100	3.94	11.4	25.1	<1	<0.04	<70
AFDE400-1200	1200	1450	0.33	0.44	0.95	0.95	724	163	100	3.94	11.4	25.1	<1	<0.04	<70
AFDE400-1450	1450	1740	0.33	0.44	0.95	0.95	724	163	100	3.94	11.4	25.1	<1	<0.04	<70
AFDE400-1750	1750	2100	0.33	0.44	0.95	0.95	724	163	100	3.94	11.4	25.1	<1	<0.04	<70
AFDE400-2350	2350	2820	0.33	0.44	0.95	0.95	724	163	100	3.94	11.4	25.1	<1	<0.04	<70
AFDE400-2850	2850	3400	0.33	0.44	0.95	0.95	724	163	100	3.94	11.4	25.1	<1	<0.04	<70
AFDE400-3750	3750	4500	0.33	0.44	0.95	0.95	724	163	100	3.94	11.4	25.1	<1	<0.04	<70
AFDE400-4600	4600	5450	0.33	0.44	0.95	0.95	724	163	100	3.94	11.4	25.1	<1	<0.04	<70
AFDE400-5250	5250	6300	0.33	0.44	0.95	0.95	724	163	100	3.94	11.4	25.1	<1	<0.04	<70
AFDE400-8000	8000	9600	0.33	0.44	0.95	0.95	724	163	100	3.94	11.4	25.1	<1	<0.04	<70
AFDE400-10000	10000	11950	0.33	0.44	0.95	0.95	724	163	100	3.94	11.4	25.1	<1	<0.04	<70

AFDE410

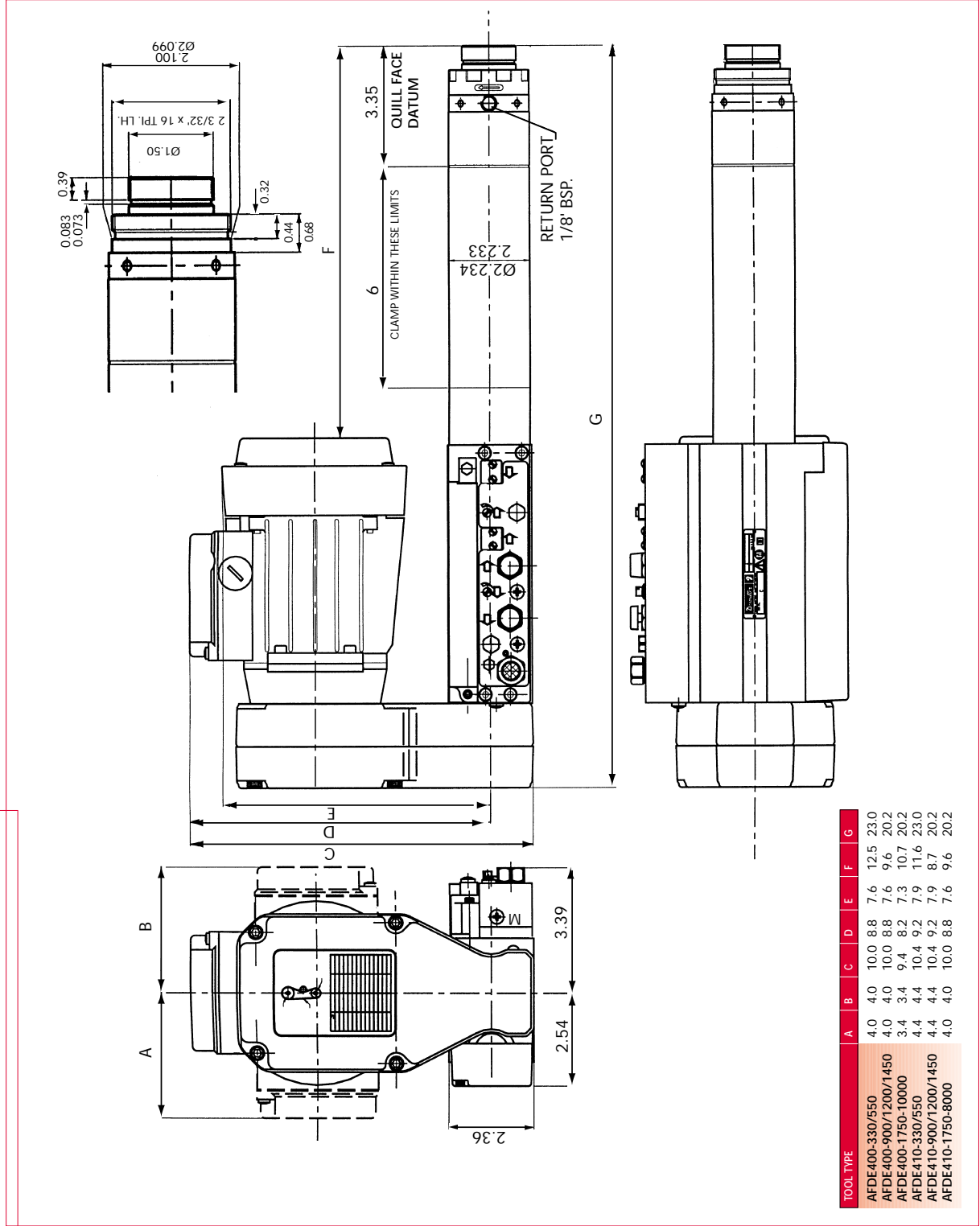
drilling performance specification

TOOL TYPE	SPEED		POWER		CURRENT		THRUST		STROKE		WEIGHT		AIR CONSUMPTION		SOUND LEVEL
	rpm		kW	HP	Amps		N	lbf	mm	ins	kg	lb	l/s ²	cfm	dB(A)
model code	50Hz	60Hz	motor power		50Hz	60Hz	dynamic thrust		working stroke		weight		per cycle		
AFDE410-330	330	400	0.75	1.00	1.9	1.9	724	163	100	3.94	12.4	27.3	<1	<0.04	<70
AFDE410-550	550	660	0.75	1.00	1.9	1.9	724	163	100	3.94	12.4	27.3	<1	<0.04	<70
AFDE410-900	900	1100	0.75	1.00	1.9	1.9	724	163	100	3.94	12.4	27.3	<1	<0.04	<70
AFDE410-1200	1200	1450	0.75	1.00	1.9	1.9	724	163	100	3.94	12.4	27.3	<1	<0.04	<70
AFDE410-1450	1450	1740	0.75	1.00	1.9	1.9	724	163	100	3.94	12.4	27.3	<1	<0.04	<70
AFDE410-1750	1750	2100	0.75	1.00	2.0	2.0	724	163	100	3.94	12.4	27.3	<1	<0.04	<70
AFDE410-2350	2350	2820	0.75	1.00	2.0	2.0	724	163	100	3.94	12.4	27.3	<1	<0.04	<70
AFDE410-2850	2850	3400	0.75	1.00	2.0	2.0	724	163	100	3.94	12.4	27.3	<1	<0.04	<70
AFDE410-3750	3750	4500	0.75	1.00	2.0	2.0	724	163	100	3.94	12.4	27.3	<1	<0.04	<70
AFDE410-4600	4600	5450	0.75	1.00	2.0	2.0	724	163	100	3.94	12.4	27.3	<1	<0.04	<70
AFDE410-5250	5250	6300	0.75	1.00	2.0	2.0	724	163	100	3.94	12.4	27.3	<1	<0.04	<70
AFDE410-8000	8000	9600	0.75	1.00	2.0	2.0	724	163	100	3.94	12.4	27.3	<1	<0.04	<70

AFDE400/AFDE410 accessories

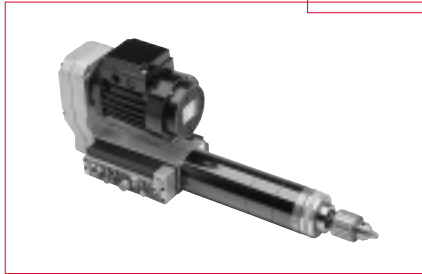
ACCESSORIES RANGE	PAGE
Control Blocks	28
Output Spindles	30
Multiple Spindle Heads	34
Clamps	39

AFDE400/AFDE410 electric drive



TOOL TYPE	A	B	C	D	E	F	G
AFDE400-330/550	4.0	4.0	10.0	8.8	7.6	12.5	23.0
AFDE400-900/1200/1450	4.0	4.0	10.0	8.8	7.6	9.6	20.2
AFDE400-1750-10000	3.4	3.4	9.4	8.2	7.3	10.7	20.2
AFDE410-330/550	4.4	4.4	10.4	9.2	7.9	11.6	23.0
AFDE410-900/1200/1450	4.4	4.4	10.4	9.2	7.9	8.7	20.2
AFDE410-1750-8000	4.0	4.0	10.0	8.8	7.6	9.6	20.2

AFDE600/AFDE610/AFDE620 electric drive



- 3 power ratings to give optimum power/thrust combination
- Heavy duty belts and pulley drive with integral belt tensioner
- Capacity up to 1/2" (12mm) in mild steel
- Spindle sealed to IP64 standard
- Modular output spindles

AFDE600

drilling performance specification

TOOL TYPE	SPEED		POWER		CURRENT		THRUST		STROKE		WEIGHT		AIR CONSUMPTION		SOUND LEVEL
	rpm		kW	HP	Amps		N	lbf	mm	ins	kg	lb	l/s ²	cfm	dB(A)
model code	50Hz	60Hz	motor power		50Hz	60Hz	dynamic thrust		working stroke		weight		per cycle		
AFDE600-330	330	400	0.33	0.44	0.95	0.95	1557	350	100	3.94	17.4	38.3	<2.5	<0.09	<70
AFDE600-550	550	660	0.33	0.44	0.95	0.95	1557	350	100	3.94	17.4	38.3	<2.5	<0.09	<70
AFDE600-900	900	1100	0.33	0.44	0.95	0.95	1557	350	100	3.94	17.4	38.3	<2.5	<0.09	<70
AFDE600-1200	1200	1450	0.33	0.44	0.95	0.95	1557	350	100	3.94	17.4	38.3	<2.5	<0.09	<70
AFDE600-1450	1450	1740	0.33	0.44	0.95	0.95	1557	350	100	3.94	17.4	38.3	<2.5	<0.09	<70
AFDE600-1750	1750	2100	0.33	0.44	0.95	0.95	1557	350	100	3.94	17.4	38.3	<2.5	<0.09	<70
AFDE600-2350	2350	2820	0.33	0.44	0.95	0.95	1557	350	100	3.94	17.4	38.3	<2.5	<0.09	<70
AFDE600-2850	2850	3400	0.33	0.44	0.95	0.95	1557	350	100	3.94	17.4	38.3	<2.5	<0.09	<70
AFDE600-3750	3750	4500	0.33	0.44	0.95	0.95	1557	350	100	3.94	17.4	38.3	<2.5	<0.09	<70
AFDE600-4600	4600	5450	0.33	0.44	0.95	0.95	1557	350	100	3.94	17.4	38.3	<2.5	<0.09	<70
AFDE600-5250	5250	6300	0.33	0.44	0.95	0.95	1557	350	100	3.94	17.4	38.3	<2.5	<0.09	<70

AFDE610

drilling performance specification

TOOL TYPE	SPEED		POWER		CURRENT		THRUST		STROKE		WEIGHT		AIR CONSUMPTION		SOUND LEVEL
	rpm		kW	HP	Amps		N	lbf	mm	ins	kg	lb	l/s ²	cfm	dB(A)
model code	50Hz	60Hz	motor power		50Hz	60Hz	dynamic thrust		working stroke		weight		per cycle		
AFDE610-330	330	400	0.75	1.00	1.9	1.9	1557	350	100	3.94	18.4	40.5	<2.5	<0.09	<70
AFDE610-550	550	660	0.75	1.00	1.9	1.9	1557	350	100	3.94	18.4	40.5	<2.5	<0.09	<70
AFDE610-900	900	1100	0.75	1.00	1.9	1.9	1557	350	100	3.94	18.4	40.5	<2.5	<0.09	<70
AFDE610-1200	1200	1450	0.75	1.00	1.9	1.9	1557	350	100	3.94	18.4	40.5	<2.5	<0.09	<70
AFDE610-1450	1450	1740	0.75	1.00	2.0	2.0	1557	350	100	3.94	18.4	40.5	<2.5	<0.09	<70
AFDE610-1750	1750	2100	0.75	1.00	2.0	2.0	1557	350	100	3.94	18.4	40.5	<2.5	<0.09	<70
AFDE610-2350	2350	2820	0.75	1.00	2.0	2.0	1557	350	100	3.94	18.4	40.5	<2.5	<0.09	<70
AFDE610-2850	2850	3400	0.75	1.00	2.0	2.0	1557	350	100	3.94	18.4	40.5	<2.5	<0.09	<70
AFDE610-3750	3750	4500	0.75	1.00	2.0	2.0	1557	350	100	3.94	18.4	40.5	<2.5	<0.09	<70
AFDE610-4600	4600	5450	0.75	1.00	2.0	2.0	1557	350	100	3.94	18.4	40.5	<2.5	<0.09	<70
AFDE610-5250	5250	6300	0.75	1.00	2.0	2.0	1557	350	100	3.94	18.4	40.5	<2.5	<0.09	<70

AFDE620

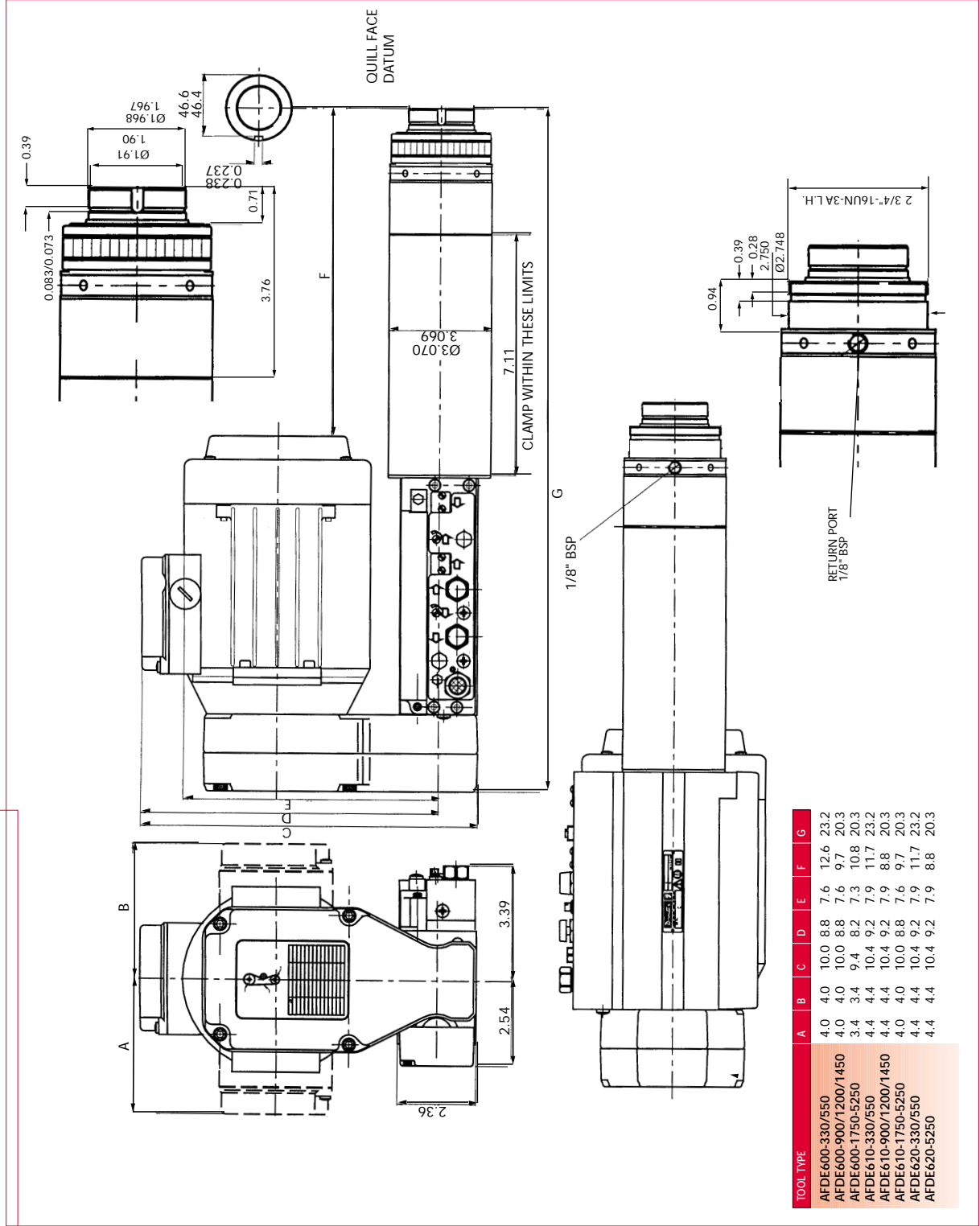
drilling performance specification

TOOL TYPE	SPEED		POWER		CURRENT		THRUST		STROKE		WEIGHT		AIR CONSUMPTION		SOUND LEVEL
	rpm		kW	HP	Amps		N	lbf	mm	ins	kg	lb	l/s ²	cfm	dB(A)
model code	50Hz	60Hz	motor power		50Hz	60Hz	dynamic thrust		working stroke		weight		per cycle		
AFDE620-330	330	400	1.10	1.47	2.8	2.8	1557	350	100	3.94	22	48.4	<2.5	<0.09	<70
AFDE620-550	550	660	1.10	1.47	2.8	2.8	1557	350	100	3.94	22	48.4	<2.5	<0.09	<70
AFDE620-900	900	1100	1.10	1.47	2.8	2.8	1557	350	100	3.94	22	48.4	<2.5	<0.09	<70
AFDE620-1200	1200	1450	1.10	1.47	2.8	2.8	1557	350	100	3.94	22	48.4	<2.5	<0.09	<70
AFDE620-1450	1450	1740	1.10	1.47	2.8	2.8	1557	350	100	3.94	22	48.4	<2.5	<0.09	<70
AFDE620-1750	1750	2100	1.10	1.47	2.5	2.5	1557	350	100	3.94	22	48.4	<2.5	<0.09	<70
AFDE620-2350	2350	2820	1.10	1.47	2.5	2.5	1557	350	100	3.94	22	48.4	<2.5	<0.09	<70
AFDE620-2850	2850	3400	1.10	1.47	2.5	2.5	1557	350	100	3.94	22	48.4	<2.5	<0.09	<70
AFDE620-3750	3750	4500	1.10	1.47	2.5	2.5	1557	350	100	3.94	22	48.4	<2.5	<0.09	<70
AFDE620-4600	4600	5450	1.10	1.47	2.5	2.5	1557	350	100	3.94	22	48.4	<2.5	<0.09	<70
AFDE620-5250	5250	6300	1.10	1.47	2.5	2.5	1557	350	100	3.94	22	48.4	<2.5	<0.09	<70

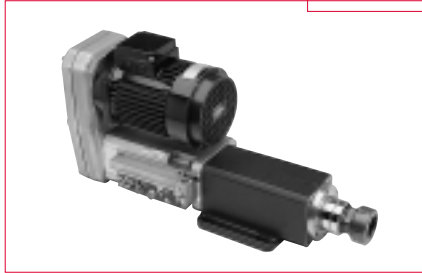
AFDE600/AFDE610/AFDE620 accessories

ACCESSORIES RANGE	PAGE
Control Blocks	28
Output Spindles	30
Multiple Spindle Heads	34
Clamps	40

AFDE600/610/620 electric drive



AFDE700/AFDE710 electric drive



- Heavy duty drill unit
- Base mounted with cross key location
- Compact design
- Capacity up to 3/4" (20mm) in mild steel
- Hydraulic feed option available upon request to provide up to 1660 lbf (7400N) of thrust

AFDE700

drilling performance specification

TOOL TYPE	SPEED		POWER		CURRENT		THRUST		STROKE		WEIGHT		AIR CONSUMPTION		SOUND LEVEL
	rpm		kW	HP	Amps		N	lbf	mm	ins	kg	lb	l/s ²	cfm	dB(A)
model code	50Hz	60Hz	motor power		50Hz	60Hz	dynamic thrust		working stroke		weight		per cycle		
AFDE700-140	140	170	1.50	2.00	3.7	3.7	2670	600	127	5.00	63	139	<5.2	<0.19	<70
AFDE700-280	280	340	1.50	2.00	3.7	3.7	2670	600	127	5.00	63	139	<5.2	<0.19	<70
AFDE700-460	460	550	1.50	2.00	3.7	3.7	2670	600	127	5.00	63	139	<5.2	<0.19	<70
AFDE700-950	950	1140	1.50	2.00	3.7	3.7	2670	600	127	5.00	63	139	<5.2	<0.19	<70
AFDE700-1400	1400	1680	1.50	2.00	3.5	3.5	2670	600	127	5.00	63	139	<5.2	<0.19	<70
AFDE700-1900	1900	2280	1.50	2.00	3.5	3.5	2670	600	127	5.00	63	139	<5.2	<0.19	<70
AFDE700-2850	2850	3420	1.50	2.00	3.5	3.5	2670	600	127	5.00	63	139	<5.2	<0.19	<70
AFDE700-4750	4750	5700	1.50	2.00	3.5	3.5	2670	600	127	5.00	63	139	<5.2	<0.19	<70

AFDE710

drilling performance specification

TOOL TYPE	SPEED		POWER		CURRENT		THRUST		STROKE		WEIGHT		AIR CONSUMPTION		SOUND LEVEL
	rpm		kW	HP	Amps		N	lbf	mm	ins	kg	lb	l/s ²	cfm	dB(A)
model code	50Hz	60Hz	motor power		50Hz	60Hz	dynamic thrust		working stroke		weight		per cycle		
AFDE710-140	140	170	2.20	2.95	5.1	5.1	2670	600	127	5.00	63	139	<5.2	<0.19	<70
AFDE710-280	280	340	2.20	2.95	5.1	5.1	2670	600	127	5.00	63	139	<5.2	<0.19	<70
AFDE710-460	460	550	2.20	2.95	5.1	5.1	2670	600	127	5.00	63	139	<5.2	<0.19	<70
AFDE710-950	950	1140	2.20	2.95	5.1	5.1	2670	600	127	5.00	63	139	<5.2	<0.19	<70
AFDE710-1400	1400	1680	2.20	2.95	5.1	5.1	2670	600	127	5.00	63	139	<5.2	<0.19	<70
AFDE710-1900	1900	2280	2.20	2.95	5.1	5.1	2670	600	127	5.00	63	139	<5.2	<0.19	<70
AFDE710-2850	2850	3420	2.20	2.95	5.1	5.1	2670	600	127	5.00	63	139	<5.2	<0.19	<70
AFDE710-4750	4750	5700	2.20	2.95	5.1	5.1	2670	600	127	5.00	63	139	<5.2	<0.19	<70

