



Auto Reverse Fastening Tools



Lou Zampini & Associates

2 Douglas Pike, Rt. 7

Smithfield, RI 02917

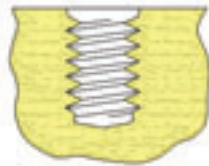
1 800 353 4676

FAX 1 401 679 0165

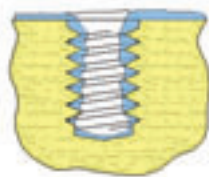
Applications



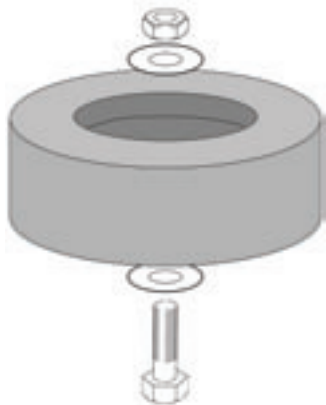
Placement of
Threaded
Fasteners



Tapping in
Blind Holes



Cleaning Tapped
Holes after
Painting or Coating



Assembly of
Rotating Parts
(e.g. lawn mower
wheel) – must be
used in a stand



Tool Cycle

- Depress lever, tool starts in forward rotation
- Tool reaches preset torque
- Tool automatically switches to reverse rotation
- Release lever at end of cycle

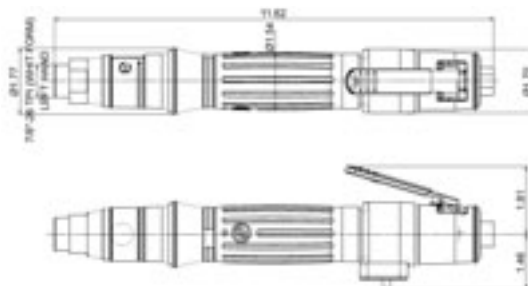
Auto Reverse Fastening Tools

Greater Productivity through

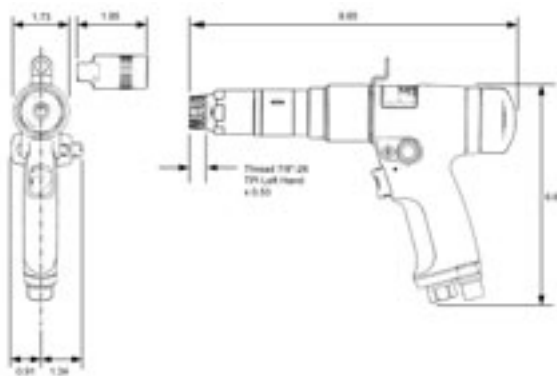
- High Power
- Good Ergonomics
- Reliability and Durability



A



B



How to Order

1. Order tool from table above
2. Order nose kit and/or accessories from accessories table

SPECIFICATION

PICTURE REF	MODEL	PART NUMBER	FREE SPEED	OUTPUT	TORQUE RANGE	LENGTH	WEIGHT	AIR FLOW	AIR HOSE BORE	AIR INLET	SOUND LEVEL	VIBRATION
			r/min		lb in	in	lb	cfm	in	dB(A)	m/s ²	
A	SD140-LA510-S4	1464584	510		5.3-123.9	11.62	2.31	18.4	3/8	1/4"	73	<2.5
A	SD075-LA1100-S4	1464604	1100	See	5.3- 66.4	11.62	2.31	18.4	3/8	1/4"	73	<2.5
B	2F189-PX-900	1240584	900	Accessories	15.9- 78.8	9.65	3.52	19.9	3/8	1/4"	82	<2.5
B	2F189-PX-600	1240744	600	Table	14.2-123.9	9.65	3.52	19.9	3/8	1/4"	82	<2.5
B	2F189-PX-400	1240904	400		14.2-138.1	9.65	3.52	19.9	3/8	1/4"	82	<2.5

Accessories

ACCESSORIES INCLUDED

ITEM	PART NUMBER
• Clutch Adjustment Key (SD and 2F189)	29932
1 Side Handle – SD	467033
2 Suspension Bail – SD	467003

OPTIONAL ACCESSORIES

ITEM	PART NUMBER
Placement of Threaded Inserts	
1 M3 x 0.5 Nose Kit	76552
1 M4 x 0.7 Nose Kit	76562
1 M5 x 0.8 Nose Kit	76572
1 M6 x 1.0 Nose Kit	76582
1 M8 x 1.25 Nose Kit	76592
1 8 x 32 UNC Nose Kit	76622
1 10 x 24 UNC Nose Kit	76632
1 10 x 32 UNF Nose Kit	76642
1 1/4" x 28 UNF Nose Kit	76662
1 5/16" UNC Nose Kit	76672
1 5/16" UNF Nose kit	76682

Blind Hole Tapping/Cleaning – 3 Parts Required

• Bit Adaptor (SD)	465513
• Bit Adaptor (2F189)	370683
2 Thread Adaptor	96743
3 Chuck (1/4")	28942

Tool Holster

4 DTH-42	107892
----------	--------

Balancers

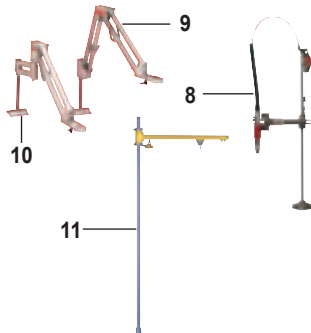
5 4DU Spring Suspension	50532
6 4R Reaction Free	54432

Hose Reel Balancer

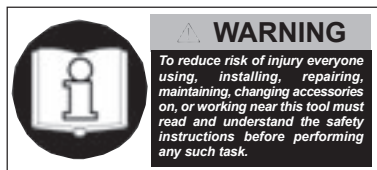
7 4HI Balancer	51722
• 2F189 Conversion Kit (plus 4HI Balancer)	115193

Stands (SD Model Only)

8 D53 Stand, 8.7-22.8in Reach	388163
• Tool Clamp	409063
8 D53X Stand, 6.9-26.7in Reach	388173
• Tool Clamp	409063
9 D57 Balancing Arm, 15.8-27.5in Reach	408903
• Tool Clamp	409063
9 D57X Balancing Arm, 17.7-33.4in Reach	408913
• Tool Clamp	409063
10 D58 Balancing Arm with Swivel, 19.7-29.5in Reach	408923
• Tool Clamp	409063
11 Bench Mounted Swinging Arm for use with Balancer	66542



Safety Instructions



WARNING

To reduce risk of injury everyone using, installing, repairing, maintaining, changing accessories on, or working near this tool must read and understand the safety instructions before performing any such task.

All tools are designed to operate at a line pressure of 6.3 bar \pm 0.15 bar in accordance with ISO 2787.

Sound levels +/- 3dB(A)* and vibration values* measured in accordance with ISO 15744 and ISO 8662 respectively.

*These declared values were obtained by laboratory testing in compliance with stated standards and are not adequate for risk assessments. Values measured in individual work places may be higher than the declared

values. The actual exposure values and risk of harm experienced by an individual are unique and depend upon the way the user works, the workpiece and the work station design, as well as upon the exposure time and the physical condition of the user. We Desoutter cannot be held liable for the consequences of using declared values, instead of values reflecting the actual exposure, in an individual risk assessment in a work place situation over which we have no control.

Tools are CE marked to comply with European Machinery Directive.

Specifications subject to change without prior notice.

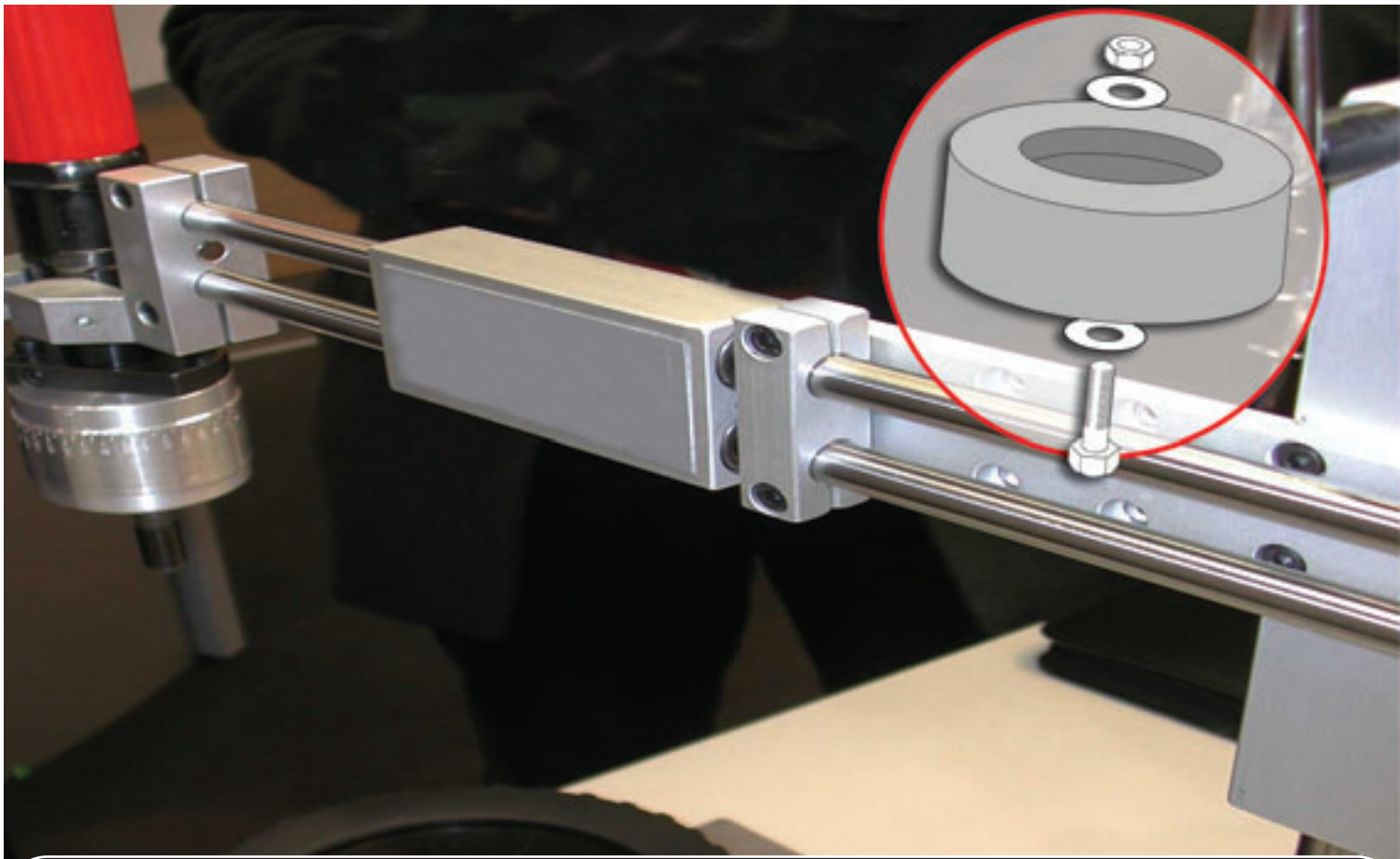
Further occupational health and safety information can be obtained from the following web sites

<http://www.osha.gov> (USA)

<http://europe.osha.eu.int> (Europe).

For further information on the general safety instructions for the operation of power tools please refer to the Desoutter Fastening Tools Catalogue or the tool operating instructions supplied with the tool.





Productivity through ergonomics and power

