



Lou Zampini & Associates

2 Douglas Pike, Rt. 7
Smithfield, RI 02917
1 800 353 4676
FAX 1 401 679 0165



Bench Tidy Kit



Bench Tidy Kit

Three complete Bench Tidy Kits to suit 1.5m, 2m and 2.5m bench widths with flexibility of mounting in height and spacing of upright supports.

Everything included to set up a simple system within minutes, which can be enhanced with the accessories shown on page 3, adding to the versatility.

Supplied in 2 packs, needing only 10/13/17mm a/f wrenches and standard screwdrivers to assemble.



A

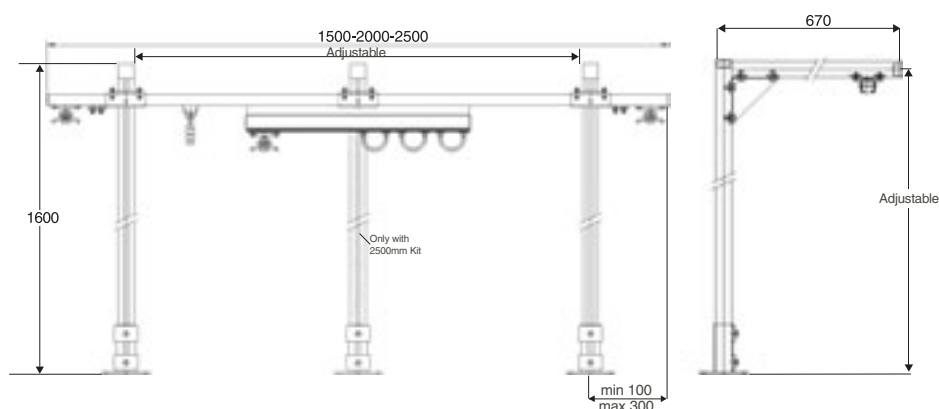
COMPLETE BENCH TIDY KIT – READY TO ASSEMBLE

Each kit consists of:

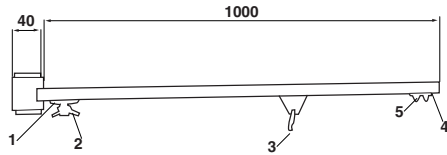
- Tool Suspension Track of specified length
- Horizontal outrigger arms
- Vertical C-rail uprights with base for benchtop mounting (2 uprights with 1.5m and 2m kits, 3 with 2.5m kits)
- Tool Suspension trolley with 3 suspension rings and hoseclamp
- Hose trolley
- Hose clamp
- All necessary brackets, fittings and end stops/clamps
- Simple, step by step assembly instructions

PICTURE REF	LENGTH OF SUSPENSION TRACK	WEIGHT	PART NO.
	mm	kg	
A	1500	22	111672
A	2000	24	111682
A	2500	26	111692

INSTALLATION HINT



Optional Bench Tidy Components



SWIVEL ARM

PART NO.

Suitable for suspending equipment

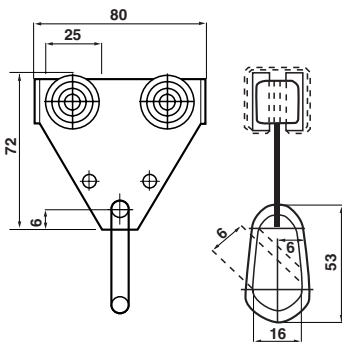
66462

Max. load at 1000mm = 16kg

Weight: 3kg

Supplied complete with:

1. End Clamp	66332
2. Hose Clip	66292
3. Suspension Trolley	66352
4. End Cap	66372
5. End Stop	66422



SUSPENSION TROLLEY

PART NO.

Suspension trolley

66352

Use for suspending tool balancers, or coiled hoses

To run in 32 x 30 «C» Rail Track

Weight: 0.3kg

Max. load: 20kg

Materials:

Chassis: Steel, plastic, galvanized

Axles: Steel galvanized

Spring safety hook: Steel, galvanized



Hose Trolley
and Hose Clip assembled

HOSE TROLLEY

PART NO.

Hose Trolley

66282

Used in conjunction with Hose Clip to run in 32 x 30 «C» Rail Track

Weight: 0.26kg

Max. load: 20kg

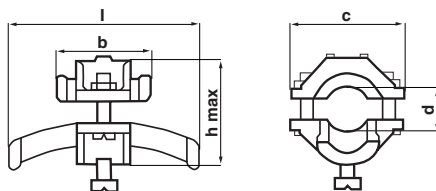
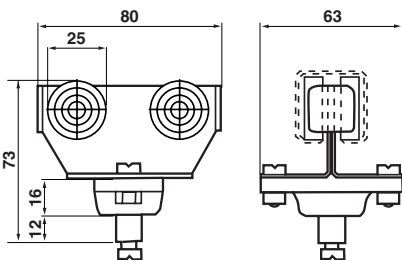
Materials:

Bearing part: Steel plate, plastic covered

Rollers (ball bearings): Steel, galvanized

Ball & Socket Joint: Nylon

Small parts: Steel, galvanized



HOSE CLIP

Used to support coils of air hose or electric cable

d	r	l	h max.	b	c	WEIGHT	PART NO.
mm	mm	mm	mm	mm	mm	kg	
10-16	80	70	38	35	42	0.04	66292
17-25	125	100	47	50	50	0.06	66302
26-36	180	140	58	70	64	0.12	66322

Materials:

Cable Clip: Nylon

Small parts: Steel, galvanized

Max. load: 20kg per clip. If more than one clip are mounted together, the total must not exceed 20kg