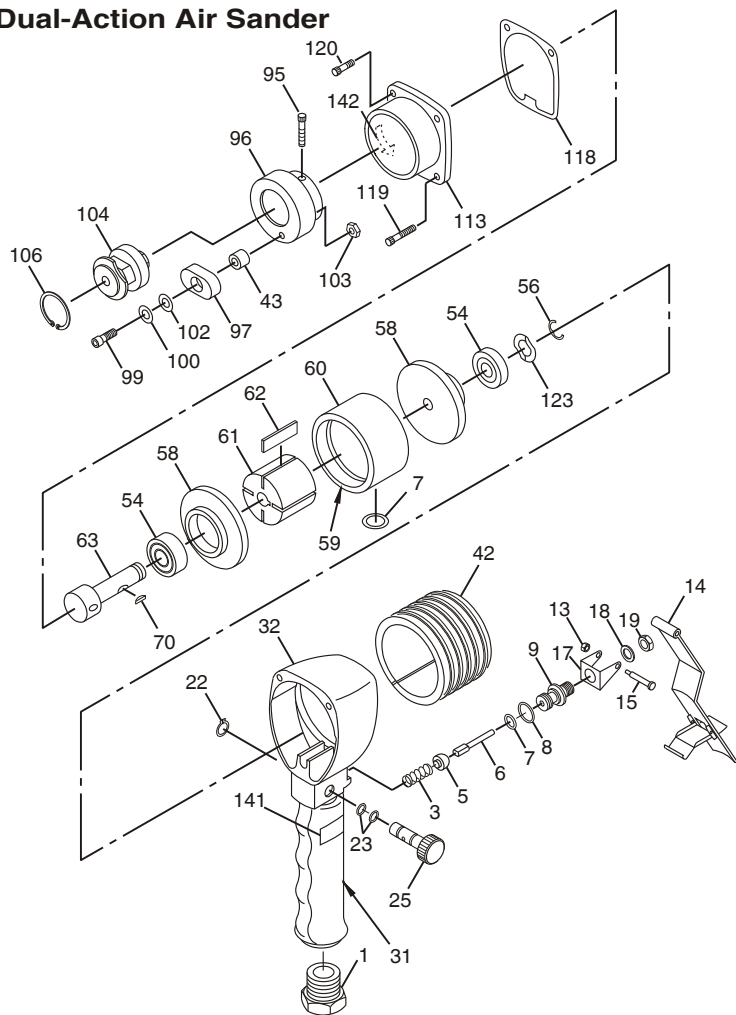


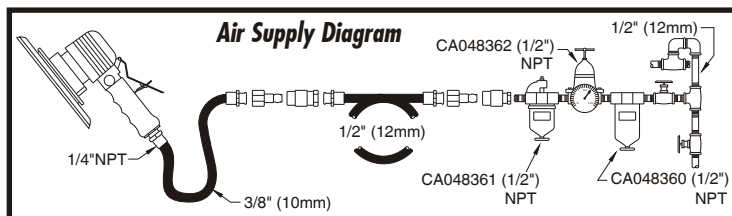
**Dual-Action Air Sander**



No.	No.	Description	Req'd.
1	KF129003	Bushing-Reducing	1
3	A088212	Throttle Valve Spring	1
5	KF124233	Valve-Throttle	1
6	KF124235	Stem-Throttle Valve	1
7	P083071	O-Ring (-011)	2
8	A082777	O-Ring (-12)	1
9	KF124261	Body-Throttle Valve	1
13	KF124262	Nut-Hex	1
14	KF140612	Lever-Lockoff (Comp.)	1
15	KF124264	Screw-Hinge	1
17	KF124265	Bracket-Mounting	1
18	P006600	Lockwasher-5/16"	1
19	KF124267	Nut-Hex	1
22	S082840	Ring-Retaining	1
23	C079489	O-Ring (-008)	2
25	KF129006	Valve-Speed Reg.	1
31	KF129004	Cover-Handle (Shrink Tubing)	1
32	KF124275	Housing-Motor (Incl: Index No. 31)	1
42	KF129007	Cover-Housing	1
43	KF127279	Spacer	1
54	S025055	Bearing-Ball	2
56	KF124279	Ring-Retaining	1
58	KF124280	Plate-End	2
59	KF124281	Dowel-Liner	1
60	KF124282	Liner (Incl: Index No. 59)	1
61	KF124283	Body-Rotor	1
62	KF138241	Blade - Set	1
63	KF127281	Shaft-Rotor	1
70	KF124286	Key-Rotor	1
95	P091352	Screw-Cap 8-32 x 1	1
96	KF127299	Hub-Orbital	1
97	KF127298	Lock-Spindle	1
99	C065376	Screw-Cap 1/4-20 x 1 1/4	1
100	KF124291	Washer-Flat	1
102	KF124493	Washer-Spring	1
103	CA048099	Flexloc Hex Nut	1
104	KF139516	Spindle	1
106	KF137768	Ring-Retaining	1
113	KF124296	Housing-Drive	1
118	KF124297	Gasket-Housing	1
119	KF124298	Screw-Cap 10-24 x 1 1/2	2
120	C078984	Screw-Cap 10-24 x 5/8	2
123	KF125347	Washer-Spring	1
124	KF140658	Pad-Sanding (Not Shown)	1
141	CA146619	Decal-Safety Warning	1
142	C146046	Label-Rotation	1

**Tune-Up Kit**

KF132237 (Incl: Index Nos. 5, 7, 8, 23, 56, 62 & 118)



**FOR DETAILED INFORMATION ABOUT CHICAGO PNEUMATIC AIR TOOLS AND EQUIPMENT CONTACT:**

**HEADQUARTERS LOCATION**

**UNITED STATES**  
**Chicago Pneumatic Tool Company**  
 Automotive Division  
 1800 Overview Drive  
 Rock Hill, SC 29730  
 Telephone: 1-803-817-7000  
 1-800-367-2442 (USA only)  
 Fax: 1-800-228-9096

**AUSTRALIA**

Atlas Copco Tools Australia  
 3 Bessemer Street  
 Blacktown • Australia  
 Telephone: 02-621-9482  
 Fax: 02-671-5915

**BELGIQUE**

Chicago Pneumatic Rep. Office  
 Avenue Sluysmans 10-4030  
 Liege • Belgium  
 Tel/Fax: 04-343 8150

**BRASIL**

Chicago Pneumatic Brasil  
 Av. Mascote 159 V. Sta. Catarina  
 04363-000  
 Sao Paulo/SP • Brasil  
 Telephone: (011) 562-7314  
 Fax: (011) 563-9208

**CANADA**

Chicago Pneumatic Tool Co.  
 Automotive Division  
 1800 Overview Drive  
 Rock Hill, SC 29730  
 Telephone: 1-803-817-7000  
 Fax: 1-800-228-9096

**CENTRAL AMERICA**

Contact Chicago Pneumatic/USA for names of CP Authorized Distributors in this area

**GERMANY**

Desoutter GMBH  
 Paul-Friedlander-Str  
 65203 Wiesbaden • Germany  
 Telephone: 49-0611-270120/22  
 FAX: 49-0611-270140

**INDIA**

Consolidated Pneumatic Tool Company (India) Ltd.  
 301/302, L.B. Shastri Marg  
 P.O. Box 7761  
 Mulund, Bombay 400 080 • India  
 Phone: 91-22-564-0011  
 Fax: 91-22-564-7687  
 Telex: 1171990 CPT I N

**ITALY**

Desoutter Italiana S.R.L.  
 Viale Della Repubblica, 65  
 20035 Lisson (Milano)

**MEXICO**

Chicago Pneumatic Tool Company Mexico  
 San Francisco #223  
 Valle Dorado, Tlalnepanitla  
 C.P. 54020 • Mexico  
 Telephone: 525-378-0754  
 FAX: 525-378-0753

**SOUTH AFRICA**

Chicago Pneumatic Tool Company, S.A.  
 20 Anvil Road  
 PO Box 105  
 Isando 1600, Transvaal  
 South Africa  
 Phone: 011-9746761  
 Fax: 011-974-2324

**SOUTH AMERICA**

Contact Chicago Pneumatic/USA for names of CP Authorized Distributors in this area

**SOUTHEAST ASIA**

Chicago Pneumatic Tool Company Regional Office  
 P.O. Box 1516  
 Unit 2103 - Citimark  
 28 Yuen Shun Circuit  
 Shatin  
 New Territories, Hong Kong  
 Telephone: (852) 3570963  
 FAX: 852-763-1875

**SWEDEN**

Chicago Pneumatic Distributor Markets  
 Sickla Industriväg 7  
 S-131 34 Nacka • Sweden  
 Telephone: 46 8743 9329  
 Fax: 46-8743 9427

**UNITED KINGDOM**

Chicago Pneumatic Tool Company, Ltd.  
 P.O. Box 241  
 Eaton Road  
 Hemel Hempstead, Herts HP2 7DR  
 England  
 Domestic: 01442-847703/06  
 Export: 01442-232420/17  
 FAX: 01442-2847723

Visit our website:  
<http://www.chicagopneumatic.com>