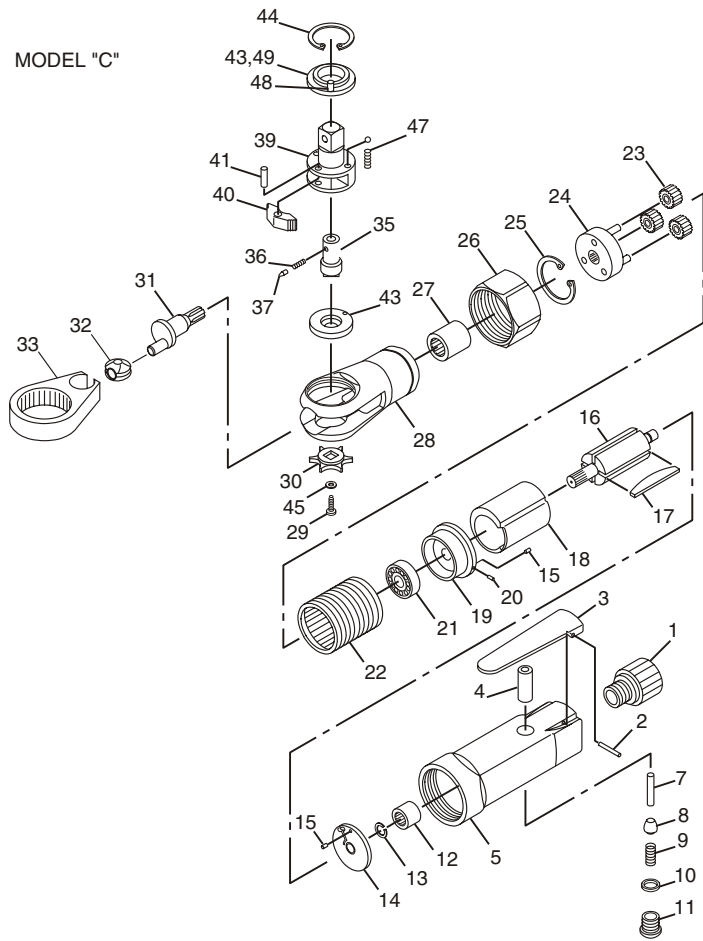


Air Ratchet

MODEL "C"



No.	No.	Description	Req'd.
1	KF138175	Bushing-Air Inlet	1
2	KF124394	Pin-Roll	1
3	KF138194	Lever-Throttle	1
4	KF138176	Bushing-Throttle	1
5	KF138207	Handle-Throttle (Incl: Index Nos. 4 & 12)	1
7	KF134169	Pin-Idler Gear	1
8	KF125190	Valve-Throttle	1
9	KF124390	Spring-Throttle	1
10	A082777	O-Ring (012)	1
11	KF134162	Plug-Throttle Valve	1
12	KF138214	Bearing-Needle	1
13	S082845	Ring-Retaining	1
14	KF138200	Plate-Rear End (Incl: Index No. 15)	1
15	KF138196	Pin-Roll	2
16	KF138208	Rotor (11 Teeth)	1
17	KF138202	Set-Rotor Blade (4)	1
18	KF138199	Liner	1
19	KF138201	Plate-Front End (Incl: Index Nos. 15 & 20)	1
20	KF124410	Pin-Dowel	1
21	C087834	Bearing-Ball	1
22	KF138204	Housing-Spindle	1
23	KF138205	Gear-Idler (13T)	3
24	KF138203	Spindle-Idler	1
25	KF138179	Ring-Retaining	1
26	KF138174	Clamp-Housing	1
27	KF138213	Bearing-Needle	1
28	KF141563	Housing-Ratchet (Incl: Index No. 27)	1
29	KF138215	Screw-Ratchet Head	1
30	KF141635	Button-Reverse	1
31	KF138177	Shaft-Crank	1
32	KF138186	Bushing-Drive	1
33	KF138206	Yoke-Ratchet	1
35	KF141565	Pin-Reverse	1
36	KF138212	Spring-Ratchet	1
37	KF138187	Pin-Lock	1
39	CA149701	Shank-Ratchet (CP825)	1
40	CA149687	Shank-Ratchet (CP825T)	1
41	KF138195	Pawl-Ratchet	1
41	KF138211	Pin-Ratchet	1
43	KF141564	Washer-Thrust (Incl: No. 48) (1 Req'd. for CP825T)	1
44	KF138191	Ring-Internal	1
45	C130136	Lockwasher-AFS	1
47	CA149686	Spring-Friction	2
48	KF140185	Pin-Roll	2
49	KF141853	Washer-Thrust (Incl: No. 48)(CP825T)	1
50	CA144813	Decal-Safety Warning (not shown)	1

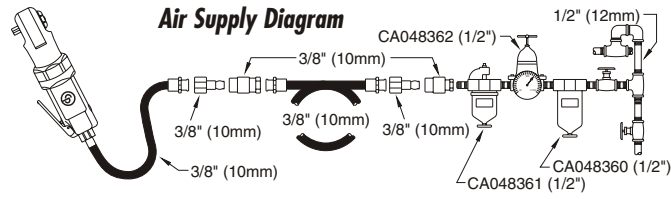
Tune-Up Kit (Model C)

CA155091 (Incl: Index Nos. 8, 9, 10, 11, 17, 36, 37 & 47)

Ratchet Head Replacement Kit (Model C)

CA155090 (CP825), CA155093 (CP825T) (Incl: Index Nos. 29, 30, 35, 36, 37, 39, 40, 41, 43, 44, 45, 47 & 49)

Air Supply Diagram



FOR DETAILED INFORMATION ABOUT CHICAGO PNEUMATIC AIR TOOLS AND EQUIPMENT CONTACT:

HEADQUARTERS LOCATION

UNITED STATES
Chicago Pneumatic Tool Company
 1800 Overview Drive
 Rock Hill, SC 29730 USA
 Telephone: 1-800-624-4735 (North America)
 1-803-817-7000
 Fax: 1-800-228-9096 (North America)
 1-803-817-7115

ASIA

Power Tools Asia Ltd.
 P.O. Box 69407
 Unit 1504 • Kwun Tong Harbor Plaza
 182 Wai Yip Street
 Kwun Tong, Kowloon • Hong Kong
 Telephone: (8522) 3570963
 Fax: 852-763-1875

AUSTRALIA

Atlas Copco Tools Australia
 3 Bessmer Street
 Blacktown • Australia
 Telephone: 02-621-9482
 Fax: 02-671-5915

BELGIQUE

Chicago Pneumatic Tool Co. Ltd.
 Brusselsesteenweg 346
 B-3090 Overijse
 Belgium
 Telephone: 02-6890506

BRASIL

Chicago Pneumatic Brasil
 Av. Mascote 159 V. Sta. Catarina
 04363-000
 Sao Paulo/SP • Brasil
 Telephone: (011) 562-7314
 Fax: (011) 563-9208

CANADA

Chicago Pneumatic Tool Co.
 Automotive Tool Division
 1800 Overview Drive
 Rock Hill, SC 29730
 Telephone: 1-800-624-4735
 Fax: 1-803-817-7115

DEUTSCHLAND

Chicago Pneumatic Tool GmbH
 Hagenauer Straße 57
 D65203 Wiesbaden • Germany
 Postfach 120251
 D65080 Wiesbaden • Germany
 Telefon: 0611-27010
 Fax: 0611-270140

FRANCE

Sa Ets Georges Renault
 199, route de Clisson
 F-44230 Saint Sébastien
 sur Loire, France
 Fax: 33 0240802000

INDIA

Chicago Pneumatic Tool Co.
 (India) Ltd.
 301/302, L.B. Shastri Marg
 PO Box 7761
 Mulund, Bombay 400 080 • India
 Phone: 22-564-0021
 Fax: 22-564-7687

ITALY

Chicago Pneumatic
 Tool Co. S.r.l.
 Via Volta No. 22
 20094 Corsico (Milano) • Italy
 Phone: 2-48602455
 Fax: 2-48602475

MEXICO

Chicago Pneumatic
 Representative Office
 Sergio Mejia
 Parque Lira No. 79-401
 Col. Sn. Miguel Chapultepec
 Mexico D.F. CP11850
 Phone: (5) 273 6026
 Fax: (5) 272 5958

SOUTH AFRICA

Chicago Pneumatic
 Tool Co. S.A.
 20 Anvil Road
 PO Box 105
 1600 Isando, Transvaal
 South Africa
 Phone: 011-9746761
 Fax: 011-974-2324

SWEDEN

Chicago Pneumatic
 Representative Office
 Sickla Industriväg 7
 S-131 34 Nacka • Sweden
 Telephone: 08-640-1345
 Fax: 08-640-1345

UNITED KINGDOM (and other locations)

Desoutter Sales Ltd.
 Eaton Road
 Hemel Hempstead
 HP2 7DR
 United Kingdom
 Phone: 01442-344301
 Fax: 01442-344600

Visit our website:
<http://www.chicagopneumatic.com>