

# Routers

375 Watts (0.5 hp) - 20 000 to 40 000 rpm

**CNOMO type collet**

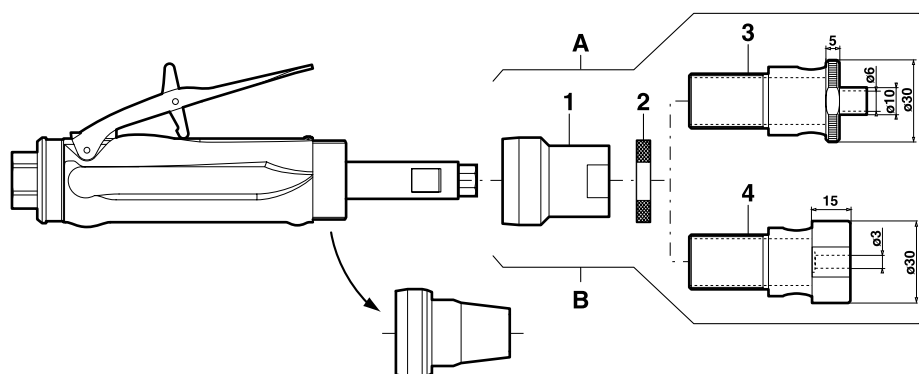


Easy removal of chips



615 396 069 0: Machined routing kit for burr, max  $\varnothing$  6.4 mm

615 396 070 0: Blank routing kit allowing you to adapt the blank to fit the application





ITEM	PART NO.
A Machined routing kit (Item 1-2-3)	615 396 069 0
B Blank routing kit (Item 1-2-4)	615 396 070 0
1 Flange	615 595 231 0
2 Adjusting nut	615 607 140 0
3 Machined routing guide	615 542 125 0
4 Blank routing guide	615 542 125 2

To select a router: rotational speed and routing kit

For example: 20 000 rpm (KC320-7) + machined kit

Order: 615 170 029 0 + 615 396 069 0

Caution: comply with the speeds recommended by component and abrasive manufacturers

MODEL	FREE SPEED rpm	POWER		PART NUMBER		ROUTING KIT	
		W	hp			MACHINED	BLANK
KC340-7	40000	375	0.5	615 170 032 0	+	615 396 069 0	615 396 070 0
KC331-7	31000	375	0.5	615 170 031 0	+		
KC325-7	25000	375	0.5	615 170 030 0	+		
KC320-7	20000	375	0.5	615 170 029 0	+		

# Routers

600 - 900 Watts (0.8 - 1.21 hp) - 12 000 to 28 000 rpm

**CNOMO type or series 200 collet**

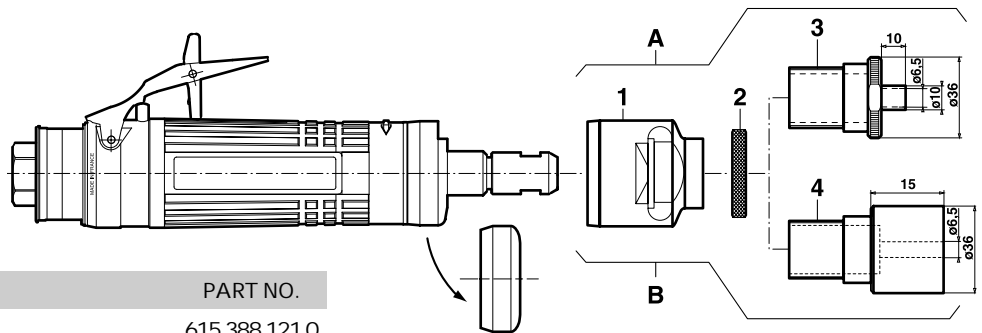


Easy removal of chips



615 388 121 0 Routing kit for burr,  $\varnothing$  6 mm or 6.35 mm (1/4")

615 388 122 0 Blank routing kit allowing you to adapt the blank to fit the application





ITEM	PART NO.
A Machined routing kit (Item 1-2-3)	615 388 121 0
B Blank routing kit (Item 1-2-4)	615 388 122 0
1 Flange	615 595 245 0
2 Adjusting nut	615 607 145 0
3 Machined routing guide	615 542 128 0
4 Blank routing guide	615 542 128 2

## Lou Zampini & Associates

2 Douglas Pike, Rt. 7  
Smithfield, RI 02917  
1 800 353 4676  
FAX 1 401 679 0165

To select a router: rotational speed and routing kit  
Example: Tool with Series 200 - 22 000 rpm collet (KC922-9) + blank kit  
Order: 615 170 160 0 + 615 388 122 0

Caution: comply with the speeds recommended by component and abrasive manufacturers

MODEL	FREE SPEED rpm	POWER		PART NUMBER		ROUTING KIT	
		W	hp	CNOMO COLLET (-7)	SERIES 200 COLLET (-9)	MACHINED	BLANK
KC628-	28000	600	0.80	615 170 126 0	615 170 158 0		
KC624-	24000	600	0.80	615 170 125 0	615 170 159 0		
KC922-	22000	900	1.21	615 170 130 0	615 170 160 0		
KC619-	19000	600	0.80	615 170 124 0	615 170 161 0		
KC918-	18000	900	1.21	615 170 129 0	615 170 162 0		
KC615-	15000	600	0.80	615 170 123 0	615 170 163 0		
KC915-	15000	900	1.21	615 170 128 0	615 170 164 0		
KC912-	12000	900	1.21	615 170 127 0	615 170 165 0		