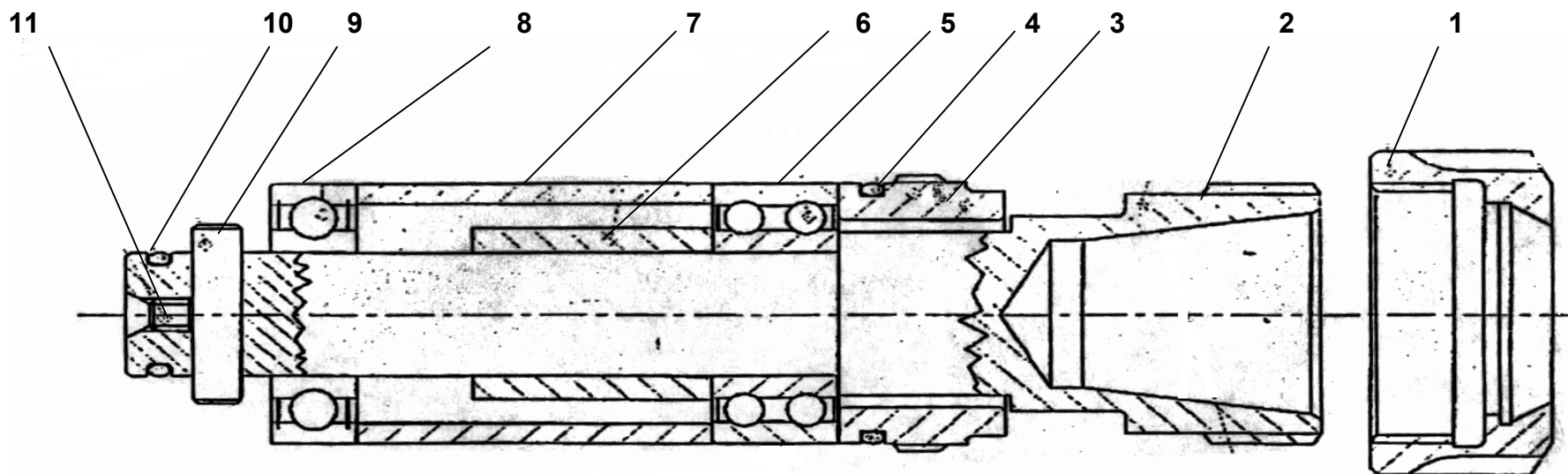


Auto Feed Drills and Tappers R2 and R 36 Output Spindles



Item Number	Part Numbers - Description	
	R36 Output Spindle - 389273	R2 Output Spindle - 384113
1	389293 Collet Nut	116803 Collet Nut
2	389283 Output Shaft ER25	384123 Output Shaft ER11
3	382743 Bearing Nut	382743 Bearing Nut
4	500993 O Ring	500993 O Ring
5	382773 Bearing ISO 3002 2RS	382773 Bearing ISO 3002 2RS
6	382753 Sleeve	382753 Sleeve
7	390163 Spacer Bearing	390163 Spacer Bearing
8	370733 Bearing ISO 6002 2RZ	370733 Bearing ISO 6002 2RZ
9	329343 Drive Pin	329343 Drive Pin
10	500963 O Ring	500963 O Ring
11	209953 Set Screw	209953 Set Screw
Not Shown	405873 ER25 Collet Spanner	117803 Collet Spanners (Two Included with Spindle)
Not Shown	304513 Open Ended Spanner 24mm	