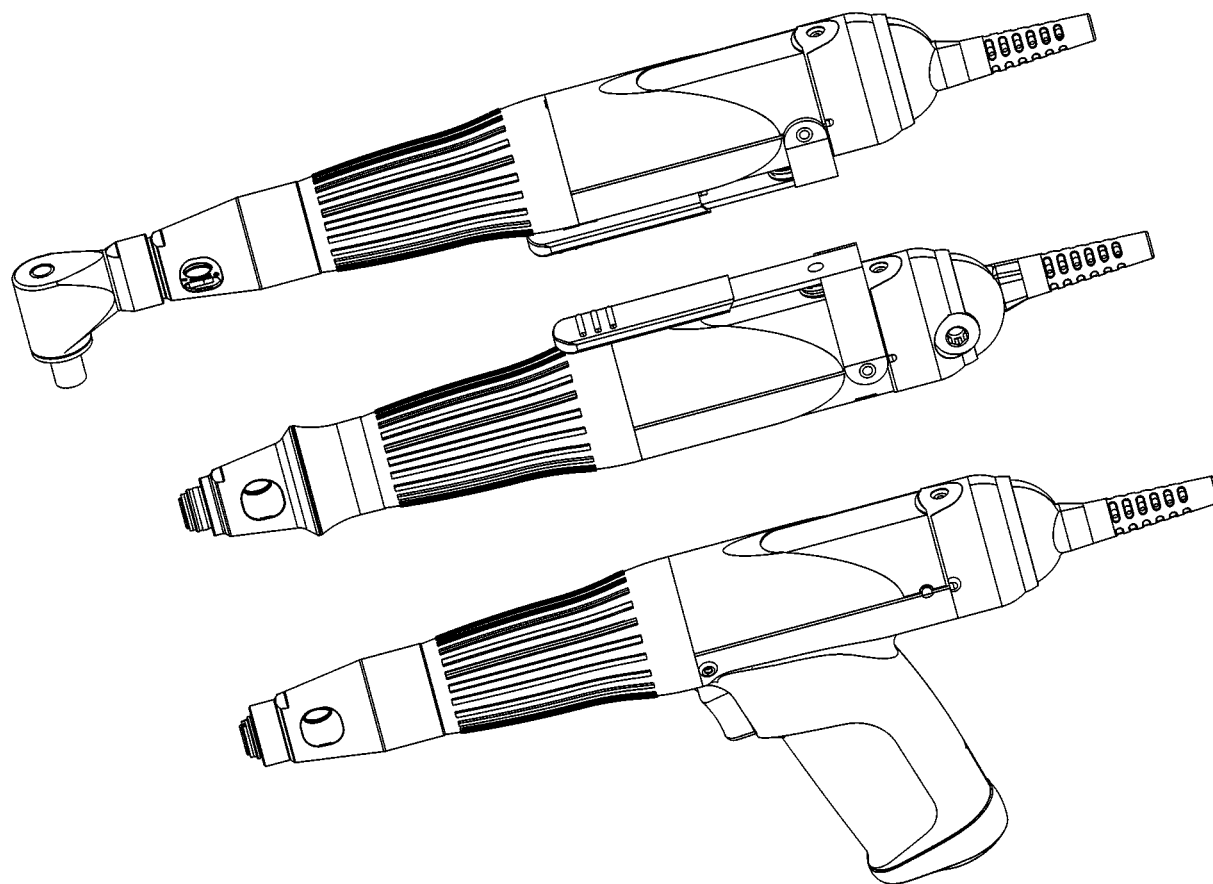


SLE Series



Desoutter Limited Eaton Road Hemel Hempstead Hertfordshire HP2 7DR England



| | | | |
|---------------------|---------|--------------------|---------|
| C*****-200* | | C*****-200* | |
| SLE012-2000L-S90A4H | 1464954 | SLE012-2000T-S4Q | 1465004 |
| SLE017-1500L-S90A4H | 1464964 | SLE017-1500T-S4Q | 1465014 |
| SLE026-1000L-S90A4H | 1464974 | SLE026-1000T-S4Q | 1465024 |
| SLE032-750L-S90A4H | 1464984 | SLE032-750T-S4Q | 1465034 |
| SLE047-550L-S90A4H | 1464994 | SLE047-550T-S4Q | 1465044 |

| | | | |
|--------------------|---------|--------------------|---------|
| C*****-200* | | C*****-200* | |
| SLE026-1500A-C4Q | 1465414 | SLE026-1500A-C4Q | 1465884 |
| SLE030-1000A-C4Q | 1465424 | SLE030-1000A-C4Q | 1465894 |
| SLE036-750A-C4Q | 1465434 | SLE036-750A-C4Q | 1465904 |
| SLE045-550A-C4Q | 1465444 | SLE045-550A-C4Q | 1465914 |

| | | | |
|--------------------|---------|--------------------|---------|
| C*****-200* | | C*****-200* | |
| SLE012-2000A-S4Q | 1464854 | SLE012-2000L-S4Q | 1464904 |
| SLE017-1500A-S4Q | 1464864 | SLE017-15000L-S4Q | 1464914 |
| SLE026-1000A-S4Q | 1464874 | SLE026-1000L-S4Q | 1464924 |
| SLE032-750A-S4Q | 1464884 | SLE032-750L-S4Q | 1464934 |
| SLE047-550A-S4Q | 1464894 | SLE047-550L-S4Q | 1464944 |

GB SERVICING AND OPERATING INSTRUCTIONS
D WARTUNGSANLEITUNG
 BEDIENUNGSANLEITUNG

F MANUEL D'ENTRETIEN
 MANUEL D'UTILISATION
E INSTRUCCIONES DE SERVICIO
 INSTRUCCIONES DE OPERACIÓN

P INSTRUÇÕES DE MANUTENÇÃO
 INSTRUÇÕES DE FUNCIONAMENTO
I ISTRUZIONI PER L'INSTALLAZIONE E L'USO

GR Οδηγίες Συντήρησης
 Οδηγίες Λειτουργίας
NL SERVICEVEHANDLING EN BEDIENINGSVOORSCHRIFTEN

DK SERVICEVEJLEDNING
 BETJENINGSVEJLEDNING
N SERVICEINSTRUKSJONER
 DRIFTSINSTRUKSJONER


S SERVICEINSTRUKTIONER
 BRUKSANVISNING
FIN HUOLTO-OHJEET
 KÄYTTÖOHJEET

SLE Series -Data



Desoutter Limited Eaton Road Hemel Hempstead Hertfordshire HP2 7DR England

GB



WARNING

To reduce risk of injury read and understand these instructions and the safety instructions.
PT No 476263

D



WARNUNG

Um das Risiko von Verletzungen zu reduzieren, müssen diese Anweisungen und sicherheitstechnischen Anweisungen gelesen und verstanden werden. Teilnr 476263

F



ATTENTION

Pour réduire le risque de blessures, lire attentivement les consignes d'exploitation et de sécurité
Pièce N° 476263

NL



WAARSCHUWING

Lees en begrijp deze aanwijzingen voor gebruik en veiligheid om kans op verwonding te reduceren
Onderdeelnr 476263

DATA:

| | |
|-----------------------|-------------------|
| Class of construction | = III |
| Rated input | = 53W |
| Rated current | = 2.2A |
| Rated voltage | = 40Vdc |
| Weight | = 0.64Kg - 0.84Kg |

Accessories:

| | |
|------------------------|---|
| Product catalogue: | LT1310 |
| Accessorise catalogue: | LT1426, LT1427, LT1428, LT1429, LT1430, LT1393. |

Ergosense

| | | | |
|---|------------|-------|--------------------|
| 1 | 107892 | LT198 | Tool Holster |
| 2 | 108892 | | Kit Vacuum |
| 3 | 467033 | | Side Handle. |
| 4 | 6155710560 | | Suspension Shackle |

STATEMENT OF USE:

This product is designed for installing and removing threaded fasteners in wood, metal and plastic. No other use permitted.
For professional use only.

Requirements:

This tool can only be used with an ESP7 controller.

DATEN:

| | |
|---------------------------|------------------|
| Konstruktionsklasse | =III |
| Nenneingabe | =53W |
| Nennstromstärke | =2.2A |
| Steuerpflichtige Spannung | = 40Vdc |
| Gewicht | =0.64Kg - 0.84Kg |

Zubehör:

| | |
|------------------------------|---|
| ProduktKatalog: | LT1310 |
| Zusatzgeräte Katalogisieren: | LT1426, LT1427, LT1428, LT1429, LT1430, LT1393. |

Ergosense

| | | | |
|---|------------|-------|------------------|
| 1 | 107892 | LT198 | Werkzeughalter |
| 2 | 108892 | | Kit: Vakuum |
| 3 | 467033 | | Seitenhaltegriff |
| 4 | 6155710560 | | Aufhängungsbügel |

VERWENDUNGSZWECK:

Das Produkt ist zum Einbringen und Entfernen von Befestigungsschraubenaus Holz, Metall und Plastik konzipiert. Andere Anwendungen sind nicht erlaubt.

Anforderungen:

Dieses Werkzeug kann nur in Verbindung mit einem ESP7 Controller verwendet werden.

DONNES:

| | |
|-----------------------------|------------------|
| Catégorie de construction | =III |
| Puissance d'entrée nominale | =53W |
| Intensité nominale | =2.2A |
| Évaluée tension | = 40Vdc |
| Poids | =0.64Kg - 0.84Kg |

Accessoires:

| | |
|---------------------------|---|
| Catalogue De Produit: | LT1310 |
| Les accessoires catalogue | LT1426, LT1427, LT1428, LT1429, LT1430, LT1393. |

Ergosense

| | | | |
|---|------------|-------|-----------------------|
| 1 | 107892 | LT198 | Pochette à outil |
| 2 | 108892 | | Kit vide |
| 3 | 467033 | | Poignée latérale |
| 4 | 6155710560 | | Manille de suspension |

DECLARATION D'UTILISATION:

Le produit est conçu pour la pose et le retrait de fixations filetées sur bois, métal et plastique. Aucun autre emploi n'est admis.

Exigences :

Cet outil peut uniquement fonctionner avec un contrôleur ESP 7.

DATA:

| | |
|---------------------|------------------|
| Constructieklasse | =III |
| Nominale invoer | =53W |
| Nominale stroom | =2.2A |
| Toegestane spanning | = 40Vdc |
| Gewicht | =0.64Kg - 0.84Kg |

Accessoires:

| | |
|---------------------------|---|
| Catalogue De Produit: | LT1310 |
| Les accessoires catalogue | LT1426, LT1427, LT1428, LT1429, LT1430, LT1393. |

Ergosense

| | | | |
|---|------------|-------|-------------------|
| 1 | 107892 | LT198 | Gereedschaphouder |
| 2 | 108892 | | Kit Vacuum |
| 3 | 467033 | | Zijhandgreep |
| 4 | 6155710560 | | Hangsluiting |

GEbruiksaanwijzing:

Het product is ontworpen om bevestigingsmiddelen met schroefdraad in hout, metaal of kunststof aan te brengen of te verwijderen. Het toestel mag niet voor andere doeleinden gebruikt worden.

Benodigheden:

Dit gereedschap kan alleen worden gebruikt met een ESP7 regelaar.

SLE Series -Warning



Desoutter Limited Eaton Road Hemel Hempstead Hertfordshire HP2 7DR England



SAVE THESE INSTRUCTIONS

Failure to follow all instructions listed below, may result in electric shock, fire and/or serious personal injury.

Work Area

Keep your work area clean and well lit. Cluttered benches and dark areas invite accidents.

Do not operate power tools in explosive atmospheres, such as in the presence of flammable liquids, gases or dust. Power tools create sparks which may ignite the dust or fumes.

Keep bystanders, children and visitors away while operating a power tool. Distractions can cause you to lose control.

Electrical Safety

Grounded tools must be plugged into an outlet properly installed and grounded in accordance with all codes and ordinances. Never remove the grounding prong or modify the plug in any way. Do not use any adaptor plugs. Check with a qualified electrician if you are in doubt as to whether the outlet is properly grounded. If the tools should electrically malfunction or break down, grounding provides a low resistance path to carry electricity away from the user.

Avoid body contact with grounded surfaces such as pipes, radiators, ranges and refrigerators. There is an increased risk of electric shock if your body is grounded.

Don't expose power tools to rain or wet conditions. Water entering a power tool will increase the risk of electric shock.

Do not abuse the cord. Never use the cord to carry the tools or pull the plug from an outlet. Keep cord away from heat, oil, sharp edges or moving parts. Replace damaged cords immediately. Damaged cords increase the risk of electric shock.

When operating a power tool outside, use an outdoor extension cord marked "W-A" or "W". These cords are rated for outdoor use and reduce the risk of electric shock.

Personal Safety

Stay alert, watch what you are doing and use common sense when operating a power tool. Do not use tool while tired or under the influence of drugs, alcohol or medication. A moment of inattention while operating power tools may result in serious personal injury. Dress properly. Do not wear loose clothing or jewellery. Contain long hair. Keep your hair, clothing and gloves away from moving parts. Loose clothes, jewellery or long hair can be caught in moving parts.

Avoid accidental starting. Be sure switch is off before plugging in. Carrying tools with your finger on the switch or plugging in tools that have the switch on invites accidents.

Remove adjusting keys or switches before turning the tool on. A wrench or key that is left attached to a rotating part of the tool may result in personal injury.

Do not overreach. Keep proper footing and balance at all times. Proper footing and balance enables better control of the tool in unexpected situations.

Use safety equipment. Always wear eye protection. Dust mask, non-skid safety shoes, hard hat or hearing protection must be used for appropriate conditions. Hold tool by insulated gripping surfaces when performing an operation where the cutting tool may contact hidden wiring or its own cord. Contact with a "live" wire will make exposed metal parts of the tool "live" and shock the operator.

Tool use and care

Use clamps or other practical way to secure and support the workpiece to a stable platform. Holding the work by hand or against the body is unstable and may lead to loss of control. Do not force tool. Use the correct tool for your application. The correct tool will do the job better and safer at the rate for which it is designed.

Do not use the tool if switch does not turn it on or off. Any tool that cannot be controlled with the switch is dangerous and must be repaired.

Disconnect the plug from the power source before making any adjustments, changing accessories or storing the tool. Such preventive safety measures reduce the risk of starting the tool accidentally.

Store idle tools out of reach of children and other untrained persons. Tools are dangerous in the hands of untrained users. Maintain tools with care. Keep cutting tools sharp and clean. Properly maintained tools, with sharp cutting edges are less likely to bind and are easier to control.

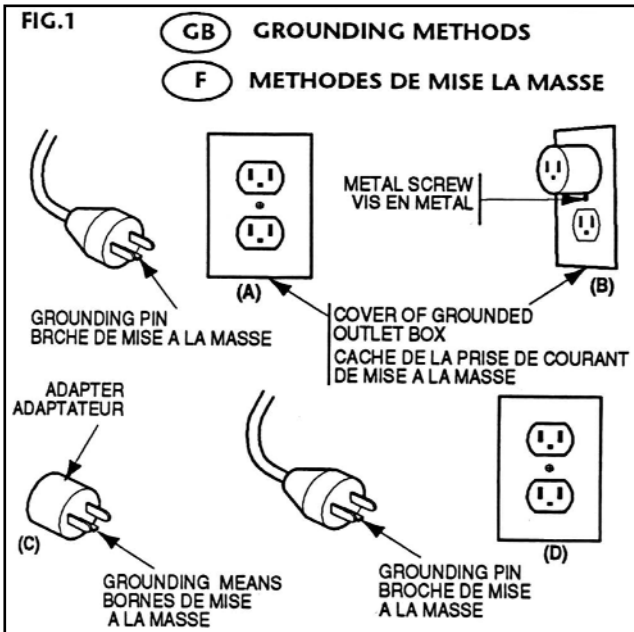
Check for misalignment or binding of moving parts, breakage of parts, and any other condition that may affect the tools operation. If damaged, have the tool serviced before using. Many accidents are caused by poorly maintained tools.

Use only accessories that are recommended by the manufacturer for your model. Accessories that may be suitable for one tool, may become hazardous when used on another tool.

Service

Tool service must be performed only by qualified personnel. Service or maintenance performed by unqualified personnel could result in a risk of injury.

When servicing a tool, use only identical replacement parts. Follow instructions in the maintenance section of this manual. Use of unauthorised parts or failure to follow Maintenance Instructions may create a risk of electric shock or injury.



SLE Series -Data



Desoutter Limited Eaton Road Hemel Hempstead Hertfordshire HP2 7DR England

OPERATING INSTRUCTIONS

IMPORTANT: This tool is fitted with temperature sensing. If the temperature inside the tool motor area exceeds a pre set temperature, the ESP7 Controller will disable the tool and display, ERROR 013.

Should this Error occur, the reason for this must be established (E.g. Tool being used out side of cycle times stated, at too higher torque, in too high an ambient temperature, or tool has become defective etc.).

Note: The Error 013 message will clear and the tool will be re useable after the internal temperature has cooled sufficiently. Alternatively, use another tool..

With the correct accessory fitted, connect the tool to the ESP 7 controller

Ensure all Forward and Reverse times / Speeds, Current and special function parameters are programmed correctly in the "SETUP - MODE" and " PROGRAM GROUP " parameters to be used for the application (refer to the ESP 7 Servicing and Operating Instructions).

Note: Default rotation is clockwise (RHD), this can be changed to anti-clockwise (LHD) in the ESP7 "SETUP - MODE" parameters.

To operate the tool using the tools controls:

Auto - Push start tools:

ESP 7 TOOL programmed PUSH
ESP 7 MODE programmed PUSH

Forward: Hold tool around the red (grip) section and then press the tool against the fastener until the operation has finished.

Reverse: Hold tool around the red (grip) section, first press and hold the reverse button and then press the tool against the fastener until the operation has finished.

ESP 7 TOOL programmed PUSH
ESP 7 MODE programmed COMBI

Forward or Reverse: Hold tool around the red (grip) section, position the tool onto the fastener, press and hold the Forward button / Lever / Trigger, (Or Reverse button for Reverse) and then press the tool against the fastener until the operation

has finished.

Lever, Trigger Start and Angle Head Tools: (Non push Start, Manual Clutch or Current Controlled):

ESP7 TOOL programmed MANU

Forward or Reverse: Hold tool around the red (grip) section, position tool onto the fastener and press and hold the Lever or Trigger for Forward operation (Or Reverse button for Reverse), until the operation has finished.

The fixing is tightened to the required torque set by adjusting the tension on the clutch spring (O on mechanical clutch tools), or when the programmed current has been achieved on the current controlled tools. (Both clutch adjustment and Current Parameter value has to be established using suitable torque measuring equipment to achieve the required torque).

After a tightening or loosening operation, the tool is available to start again after:

Auto Push - Start tools: Lifting the tool away from the fastener. (Button / Lever / Trigger can be held pressed).

Manual and Angle Head tools: Releasing and re-pressing the Forward Button / Lever / Trigger or Reverse button.

Information on trigger operation (Pistol Grip Tools)
Single operation trigger On / Off (not progressive)

Torque adjustment (To be set up using suitable torque measuring equipment to achieve the required torque)

(Mechanical Clutch)

As depicted on the exploded diagram

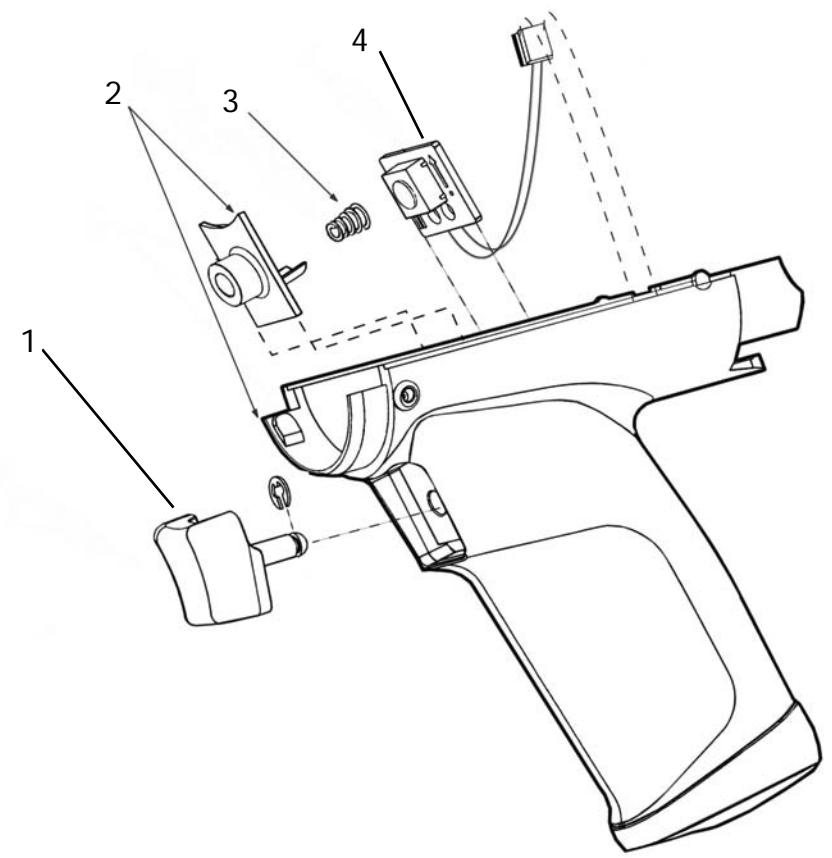
(Current Control)

Current Parameter(s) to be set up. (Refer to the ESP 7 Servicing & Operating Instructions).

SLE Series - Pistol Grip Assembly



Desoutter Limited Eaton Road Hemel Hempstead Hertfordshire HP2 7DR England

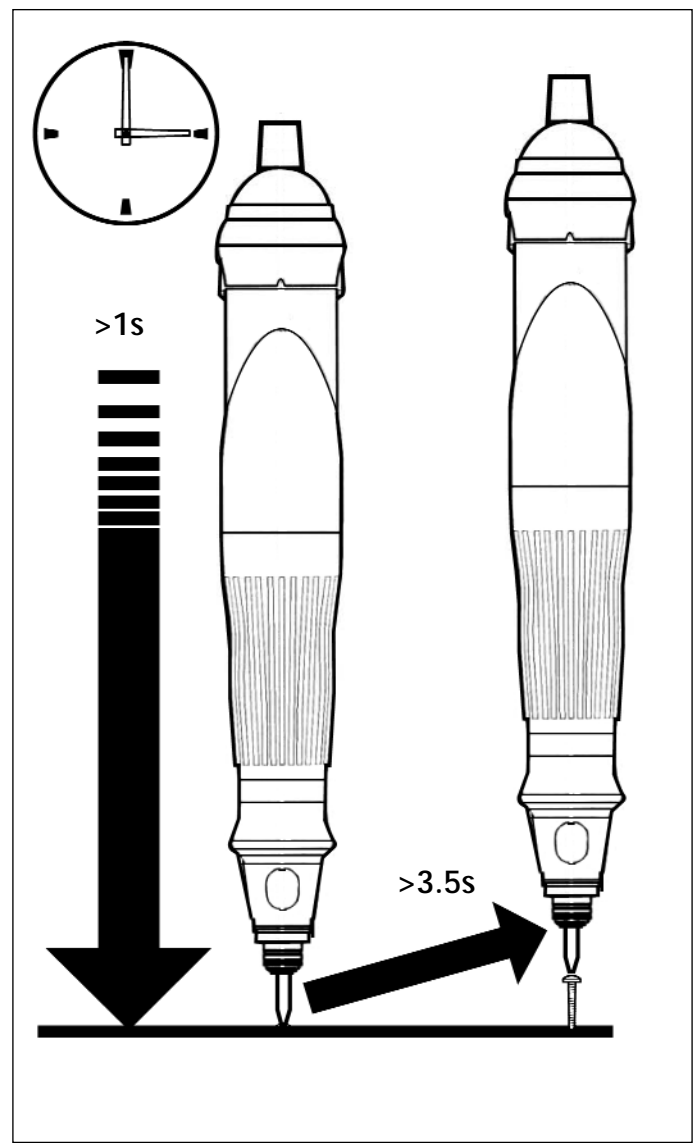
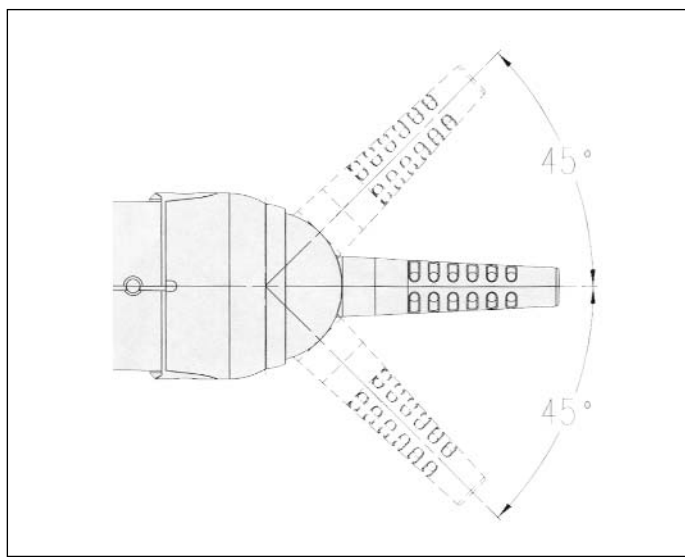
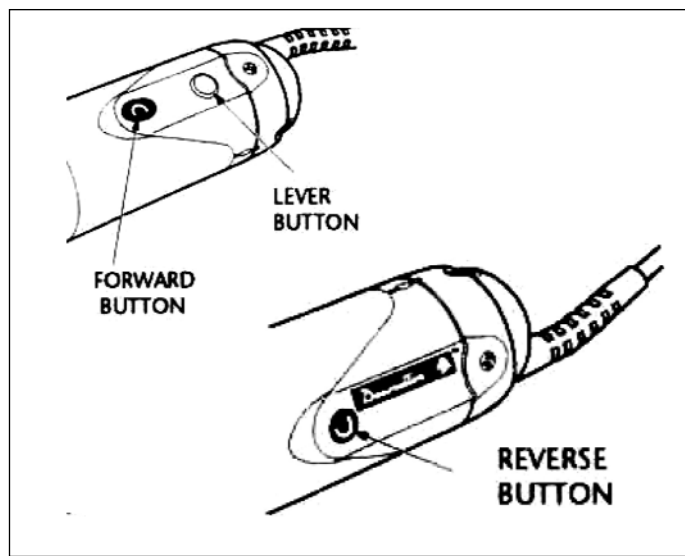
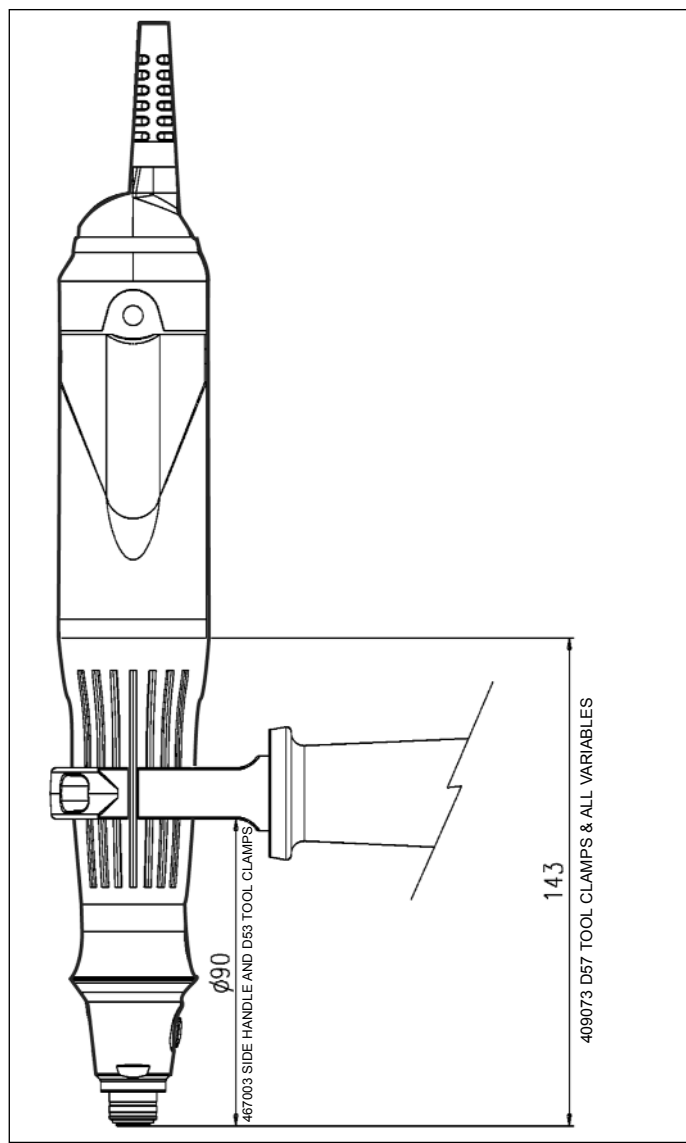


| Item Ps. Nr. No. Article | Part No Teil Nr. Référence | Description Beschreibung Description | Qty Menge Qté |
|--------------------------------|----------------------------------|--|---------------------|
| 1 | 473843 | KIT TRIGGER ASSEMBLY | 1 |
| 2 | 473803 | KIT PISTOL GRIP ASSEMBLY | 1 |
| 3 | 473923 | KIT SPRING | 1 |
| 4 | 473743 | KIT SWITCH ASSEMBLY | 1 |

SLE Series - Maintenance & Adjustment



Desoutter Limited Eaton Road Hemel Hempstead Hertfordshire HP2 7DR England



SLE Series - Clutch-Manual, Lever & Trigger-S4Q



Desoutter Limited Eaton Road Hemel Hempstead Hertforshire HP2 7DR England

| Item Ps. Nr. No. Article | Part No Teil Nr. Référence | Description Beschreibung Description | | Qty Menge Qté |
|--------------------------|----------------------------|--------------------------------------|------------|---------------|
| 1 | 446583 | KIT | (CONTAINS) | 1 |
| - | - | CIRCLIP | | 1 |
| - | - | RING | | 1 |
| - | - | SPRING | | 1 |
| - | - | SLEEVE | | 1 |
| - | - | BALL | | 2 |
| 2 | 251703 | RING | | 1 |
| 3 | 463763 | WASHER | | 1 |
| 4 | 467283 | CLUTCH ADJ KIT | (CONTAINS) | 1 |
| - | - | CIRCLIP | | 1 |
| - | - | RING ADJUSTING | | 1 |
| - | - | RING LOCKING | | 1 |
| - | - | BALL | | 3 |
| 5 | 443523 | SPRING 0.4 - 2.5Nm | | 1 |
| | 461913 | SPRING 1.5 - 4.7Nm | | 1 |
| 6 | 301253 | BALL CUP | | 1 |
| 7 | 182493 | BALL | | 6 |
| 8 | 463783 | SPINDLE - S4Q | | 1 |
| 9 | ***** | BALL | | 1 |
| 10 | 463793 | ROLLER | | 1 |
| 11 | 239753 | 'O' RING | | 1 |
| 12 | 443513 | CAM CLUTCH | | 1 |
| 13 | 280313 | BALL | | 14 |
| 14 | 301253 | ROLLER | | 1 |
| 15 | 446583 | SERVICE KIT | | 1 |

SLE Series - Clutch-S4Q



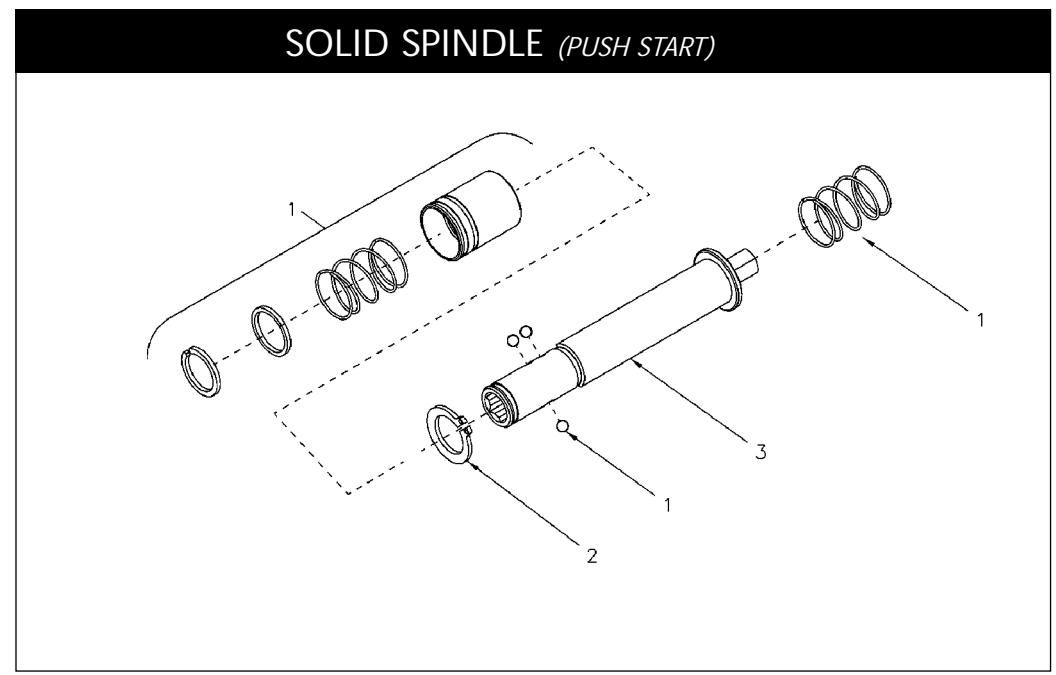
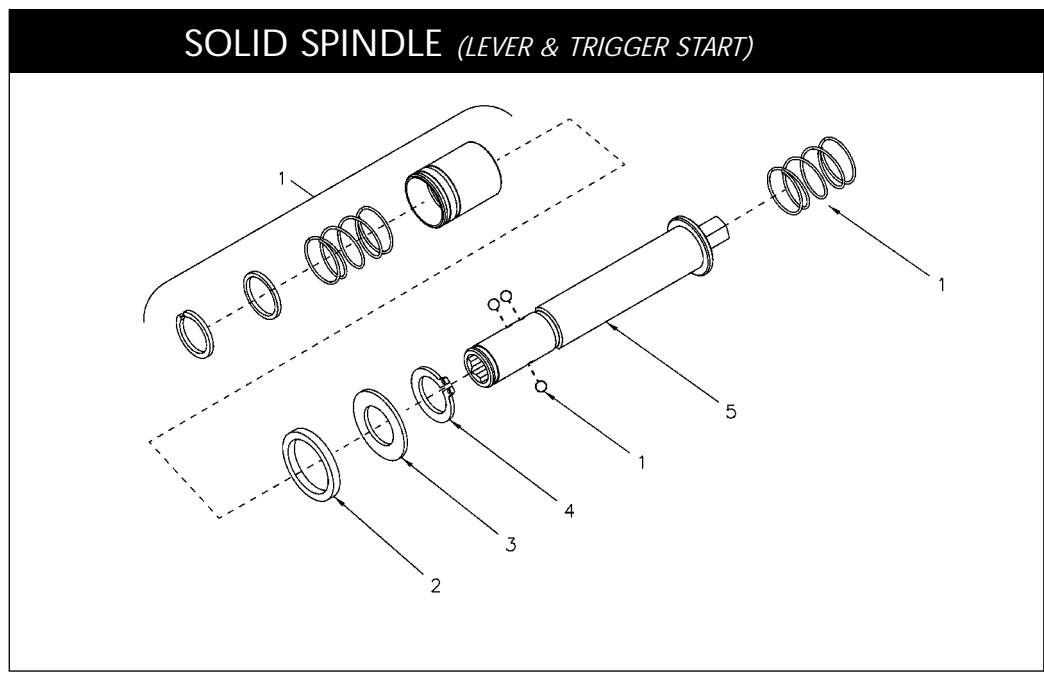
Desoutter Limited Eaton Road Hemel Hempstead Hertfordshire HP2 7DR England

| Item Ps. Nr. No. Article | Part No Teil Nr. Référence | Description Beschreibung Description | Qty Menge Qté |
|--------------------------|----------------------------|--------------------------------------|---------------|
| 1 | 446583 | KIT (CONTAINS) | 1 |
| - | - | CIRCLIP | 1 |
| - | - | RING | 1 |
| - | - | SPRING | 1 |
| - | - | SLEEVE | 1 |
| - | - | BALL | 2 |
| 2 | 467283 | CLUTCH ADJ KIT (CONTAINS) | 1 |
| - | - | CIRCLIP | 1 |
| - | - | RING ADJUSTING | 1 |
| - | - | RING LOCKING | 1 |
| - | - | BALL | 3 |
| 3 | 443523 | SPRING 0.4 - 2.5Nm | 1 |
| 4 | 301253 | BALL CUP | 1 |
| 5 | 182493 | BALL | 6 |
| 6 | 443553 | SPINDLE CLUTCH S4Q | 1 |
| 7 | 239753 | 'O' RING | 1 |
| 8 | 301263 | RETAINING SLEEVE | 1 |
| 9 | 443513 | CAM CLUTCH | 1 |
| 10 | 301243 | LATCH PIN | 1 |
| 11 | 301253 | ROLLER | 1 |
| 12 | 307123 | SPRING | 1 |
| 13 | 280313 | BALL | 14 |
| 14 | 446583 | SERVICE KIT | 1 |

SLE Series -Solid Spindles



Desoutter Limited Eaton Road Hemel Hempstead Hertfordshire HP2 7DR England



| Item Ps. Nr. No. Article | Part No Teil Nr. Référence | Description Beschreibung Description | Qty Menge Qté |
|-----------------------------|----------------------------------|--|---------------------|
| 1 | 2050446603 | KIT | |
| | - | CIRCLIP | 1 |
| | - | RING | 1 |
| | - | SPRING | 2 |
| | - | SLEEVE | 1 |
| | - | BALL | 3 |
| 2 | 2050251703 | RING | 1 |
| 3 | 2050463763 | WASHER | 1 |
| 4 | 2050347733 | CIRCLIP | 1 |
| 5 | 2050473583 | SOLID SPINDLE | 1 |

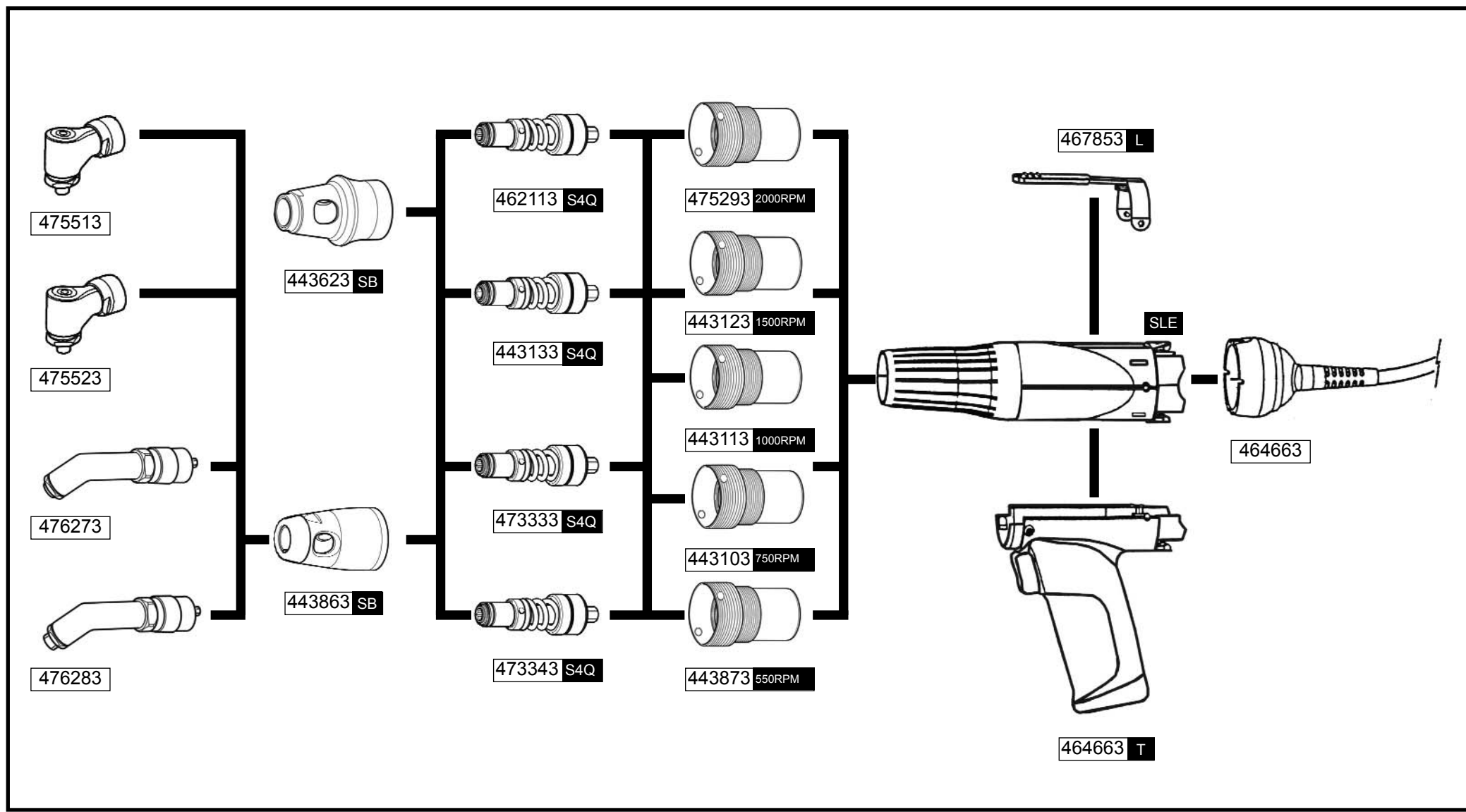
| Item Ps. Nr. No. Article | Part No Teil Nr. Référence | Description Beschreibung Description | Qty Menge Qté |
|-----------------------------|----------------------------------|--|---------------------|
| 1 | 2050446603 | KIT | |
| | - | CIRCLIP | 1 |
| | - | RING | 1 |
| | - | SPRING | 2 |
| | - | SLEEVE | 1 |
| | - | BALL | 3 |
| 2 | 2050347733 | CIRCLIP | 1 |
| 3 | 2050473583 | SOLID SPINDLE | 1 |



SLE Series - Modules



Desoutter Limited Eaton Road Hemel Hempstead Hertfordshire HP2 7DR England

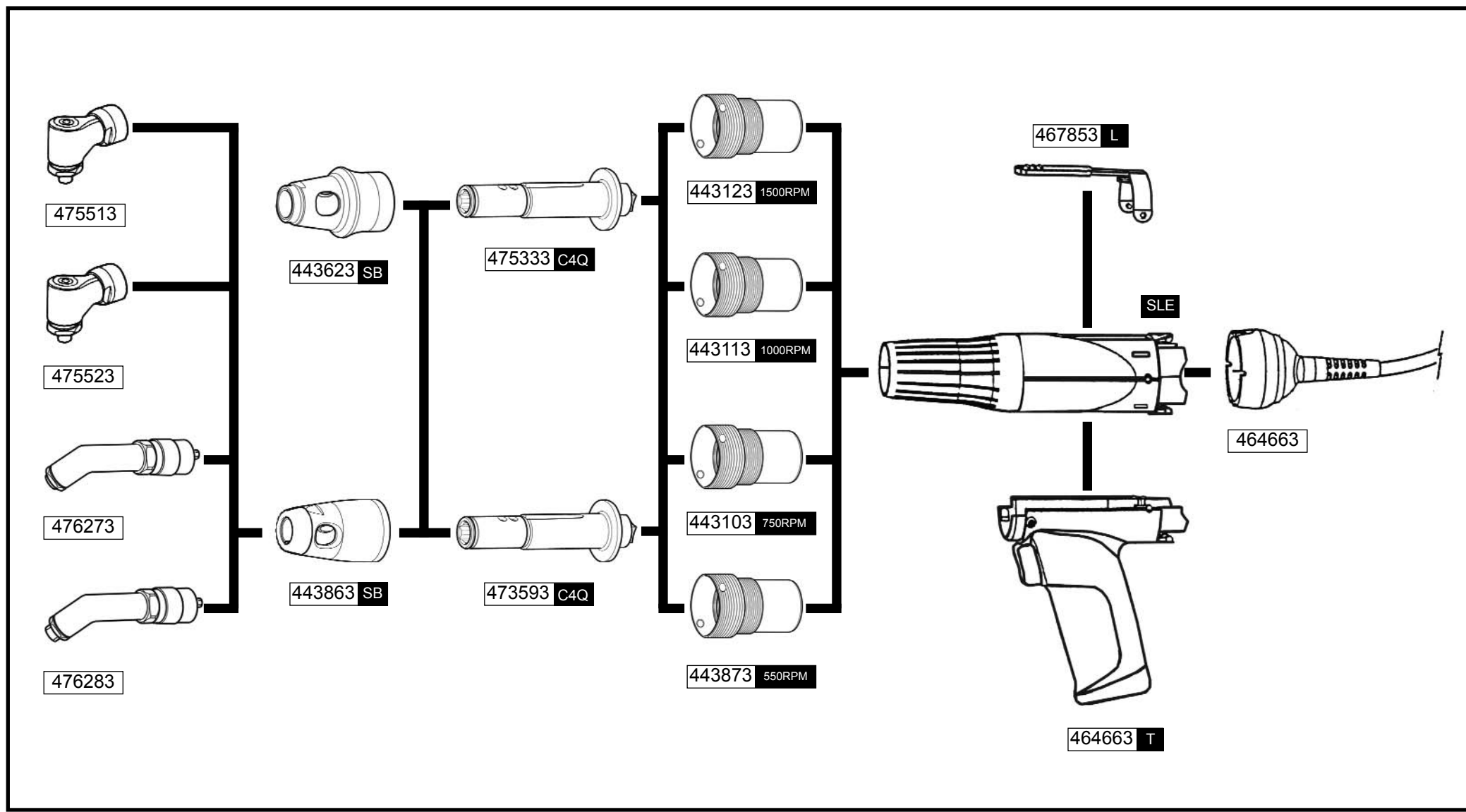




SLE Series - Modules



Desoutter Limited Eaton Road Hemel Hempstead Hertfordshire HP2 7DR England



SLE Series -Maintenance and Adjustment



Desoutter Limited Eaton Road Hemel Hempstead Hertfordshire HP2 7DR England

