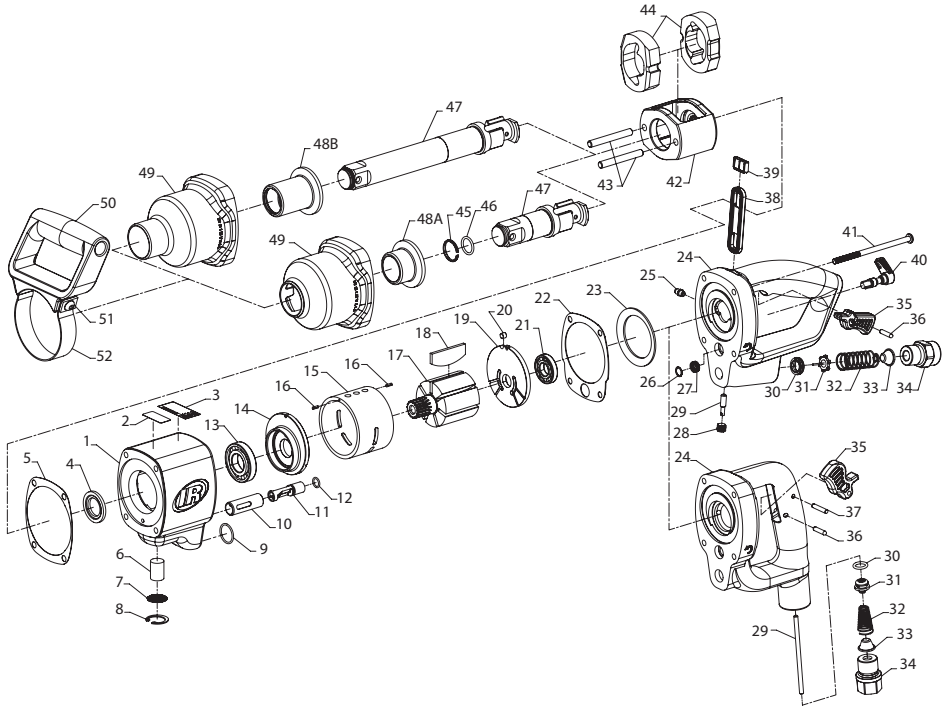


2190Ti Series Air Impact Wrench - Exploded View



(Dwg. TP2223)

2190Ti Series Air Impact Wrench - Parts List

Item	Part Description	Part Number	Item	Part Description	Part Number
*	Housing Assembly	2925B-A40	17	Rotor	2080-53
1	Housing	---	18	Vane Pack (Set of 7)	2925-42-7
3	Warning Label	---	19	End Plate, Rear	2161-12
10	Bushing, Reverse Valve	---	20	Dowel Pin, Rear End Plate	2920-74
2	Information Label	1-800-LABEL	21	Bearing, Rear End Plate	4E-510
3	Warning Label	WARNING-2-99	22	Gasket, Handle	2161-739
5	Gasket, Hammer Case	2161-36	23	Washer, Motor	2161-207
*	Reverse Valve Assembly	2190-A329	*	Handle Assembly (2190Ti, 2190Ti-6)	2190-A92
11	Reverse Valve	---	*	Handle Assembly (2190DTI-6)	2925B-A92
12	O-Ring, Reverse Valve	---	24	Handle	---
26	Snap Ring, Reverse Lever	---	9	O-Ring, Housing	---
27	Spring, Reverse Lever	---	22	Gasket, Hammer Case	---
40	Reverse Lever	---	25	Grease Fitting	---
13	Bearing, Front End Plate	834-24	26	Snap Ring, Reverse Lever	---
14	End Plate, Front	2161-11	27	Spring, Reverse Lever	---
*	Cylinder Assembly	2925-A3	28	Pipe Plug (2190Ti, 2190Ti-6)	---
15	Cylinder	---	29	Plunger Pin	---
16	Dowel Pin, Cylinder (2)	---	30	Valve Seat	---
16	Dowel Pin, Cylinder (2 Required)	JC3350-538	31	Throttle Valve	---

Item	Part Description	Part Number	Item	Part Description	Part Number
32	Spring, Inlet	---	*	Socket Retainer Kit	2190-SRK1
33	Air Strainer	---	45	Socket Retainer	---
34	Inlet Bushing Assembly	---	46	O-Ring, Socket Retainer	---
35	Trigger	---	*	Anvil Assembly (2190Ti)	2080-A726
36	Trigger Pin	---	*	Anvil Assembly (2190Ti-6, 2190DTi-6)	2080-A826-6
37	Dowel Pin, Trigger (2190DTi-6)	---	47	Anvil Assembly	---
38	Throttle Actuator (2190Ti, 2190Ti-6)	---	46	O-Ring, Socket Retainer	---
39	Plug (2190Ti, 2190Ti-6)	---	45	Socket Retainer	---
*	Inlet Parts Kit (2190Ti, 2190Ti-6)	2190-K303	48A	Bushing, Hammer Case (2190Ti)	2161-641
*	Inlet Parts Kit (2190DTi-6)	2190D-K303	48B	Bushing, Hammer Case (2190Ti-6, 2190DTi-6)	2080-641-6
28	Plug (2190Ti, 2190Ti-6)	---	*	Hammer Case Assembly (2190Ti)	2190Ti-D727
29	Plunger Pin	---	*	Hammer Case Assembly (2190Ti-6, 2190DTi-6)	2190Ti-6-D727
30	Valve Seat	---	49	Hammer Case	---
31	Throttle Valve	---	48	Bushing, Hammer Case	---
32	Spring, Inlet	---	*	Dead Handle Assembly	2080-A48
33	Air Strainer	---	50	Dead Handle	---
34	Inlet Bushing Assembly	---	51	Strap	---
25	Grease Fitting	R1-188	52	Cap Screw (2)	---
*	Trigger Assembly (2190Ti, 2190Ti-6)	2080-A93	*	Tune-Up Kit	2190-TK1
*	Trigger Assembly (2190DTi-6)	2925B-93	5	Gasket, Hammer Case	---
35	Trigger	---	6	Silencer, Exhaust	---
36	Trigger Pin	---	7	Exhaust Deflector	---
37	Dowel Pin, Trigger (2190DTi-6)	---	8	Snap Ring, Exhaust	---
38	Throttle Actuator (2190Ti, 2190Ti-6)	2080-94A	9	O-Ring, Housing	---
39	Plug (2190Ti, 2190Ti-6)	2080-95	12	O-Ring, Reverse Valve	---
41	Socket Head Capscrew (4)	2080-638	13	Bearing, Front End Plate	---
*	Hammer Frame Kit	2190-K703	18	Vane Pack (Set of 7)	---
42	Hammer Frame	---	21	Bearing, Rear End Plate	---
43	Hammer Pin (2)	---	22	Gasket, Hammer Case	---
4	Washer, Hammer Frame	---	27	Spring, Reverse Lever	---
5	Gasket, Hammer Case	---	45	Socket Retainer	---
*	Hammer Kit (2190Ti)	2190-THK1	46	O-Ring, Socket Retainer	---
*	Hammer Kit (2190Ti-6, 2190DTi-6)	2190-6-THK1	*	Air Tool Oil (4oz. bottle)	10Z4
44	Hammer (2)	---	*	Grease (1-lb can)	105-1LB
47	Anvil Assembly	---	*	Grease (8-lb can)	105-8LB
5	Gasket, Hammer Case	---			

* Not illustrated.

Parts and Maintenance

When the life of the tool has expired, it is recommended that the tool be disassembled, degreased and parts be separated by material so that they can be recycled.

Tool repair and maintenance should only be carried out by an authorized Service Center.

Refer all communications to the nearest **Ingersoll Rand** Office or Distributor.

Related Documentation

For additional information refer to:

Air Impact Wrench Product Safety Information Manual 04580916,

Air Impact Wrench Product Information Manual 04584900.

Manuals can be downloaded from ingersollrandproducts.com

