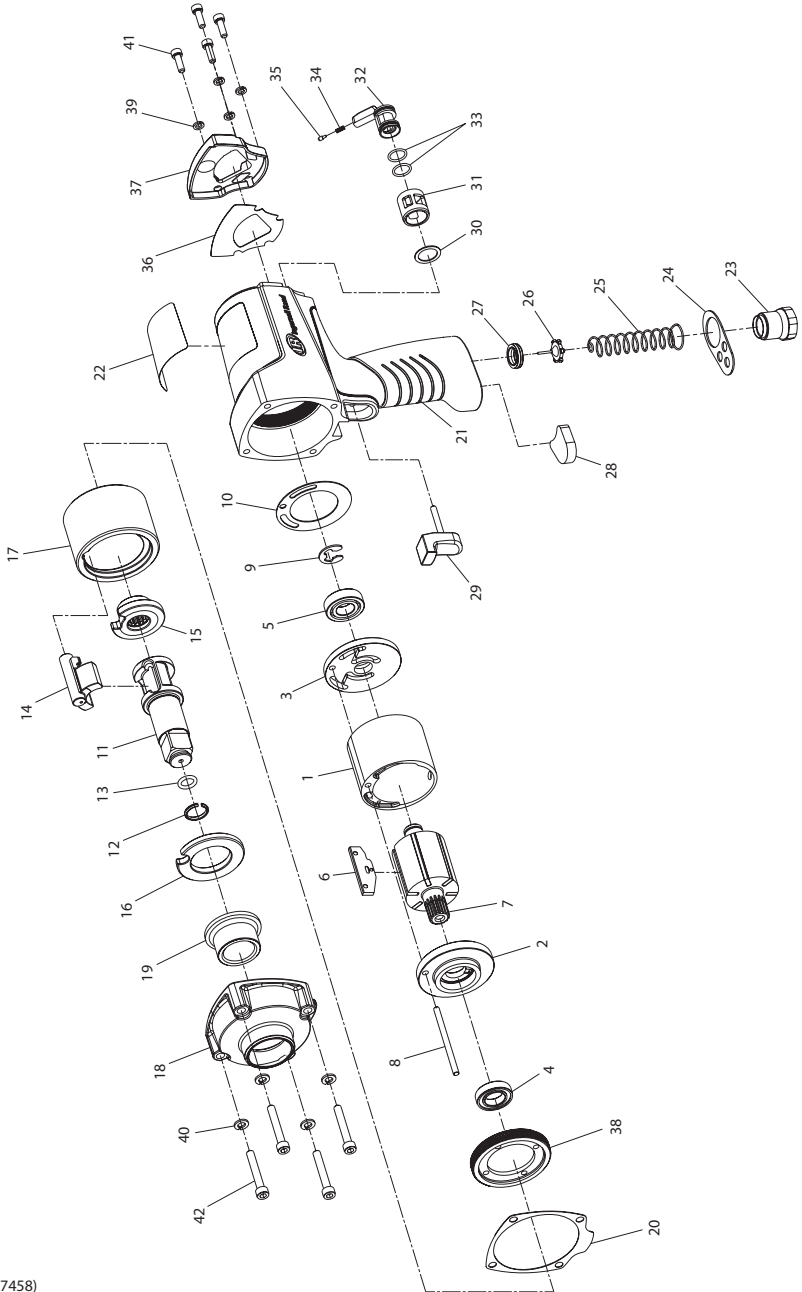


259G Air Impactool™ - Exploded View



(Dwg. 45667458)



259G Air Impactool™ - Parts List

Item	Part Description	Part Number	Item	Part Description	Part Number
1	Cylinder	259-3	† 28	Exhaust Silencer	259-311
2	Front End Plate	259-11	29	Trigger Assembly	259-A93
3	Rear End Plate	259-12	30	Reverse Valve Gasket	PF800-282
† 4	Front Rotor Bearing	259-510	31	Reverse Valve Bushing	259-330
† 5	Rear Rotor Bearing	259-105	32	Reverse Valve Assembly	259-A329
† 6	Vane Packet (Set of 6)	259-42-6	33	O-ring (2)	---
7	Rotor	259-53	34	Spring	236-52
8	Dowel	259-98	35	Spring Cap	7811R-13
† 9	Rear Rotor Bearing Retainer	259-118	36	Reverse Retainer Gasket	259-223
10	Motor Gasket	259-283	37	Reverse Valve Retainer	259-119
‡ 11	Anvil Assembly	259-A726	38	Motor Retainer	259-800
† 12	Socket Retainer	908B5-918	39	Lock Washer, Reverse Valve	259-246
† 13	Socket Retainer O-ring	AF120-289	40	Lock Washer, Hammer Case	259-247
‡ 14	Hammer	259-724	41	Screw, Reverse Retainer (set of 4)	259-78-4
‡ 15	Hammer Cam	259-721	42	Screw, Hammer Case (set of 4)	259-638-4
16	Hammer Plate	259-706	*	Grease (for Lubrication when disassembling and assembling the impact mechanism)	
17	Hammer Frame	259-703		1 LB	105-1LB
18	Hammer Case Assembly	259G-A727		8 LB	105-8LB
19	Hammer Case Bushing	---	*	Boot	
†† 20	Hammer Case Gasket	259-36		259-BOOT	
21	Housing Assembly	259G-A40	*	Spanner Tool	259-212
22	Nameplate/Warning Label	---	*	Tune-up Kit	259-TK1
23	Inlet Bushing	2920P-465	*	Hammer Kit	259-THK1
24	Exhaust Deflector	259-23			
† 25	Throttle Valve Spring	1720P-51			
† 26	Throttle Valve	2921-302			
27	Throttle Valve Seat	DG230-303			

* Not illustrated.

† Items included in Tune-up Kit

‡ Items included in Hammer Kit

Parts and Maintenance

When the life of the tool has expired, it is recommended that the tool be disassembled, degreased and parts be separated by material so that they can be recycled.

Tool repair and maintenance should only be carried out by an authorized Service Center.

Refer all communications to the nearest **Ingersoll Rand** Office or Distributor.

Related Documentation

For additional information refer to:

Air Impact Wrench Product Safety Information Manual 04580916.

Air Impact Wrench Product Information Manual 45664752.

Manuals can be downloaded from ingersollrandproducts.com