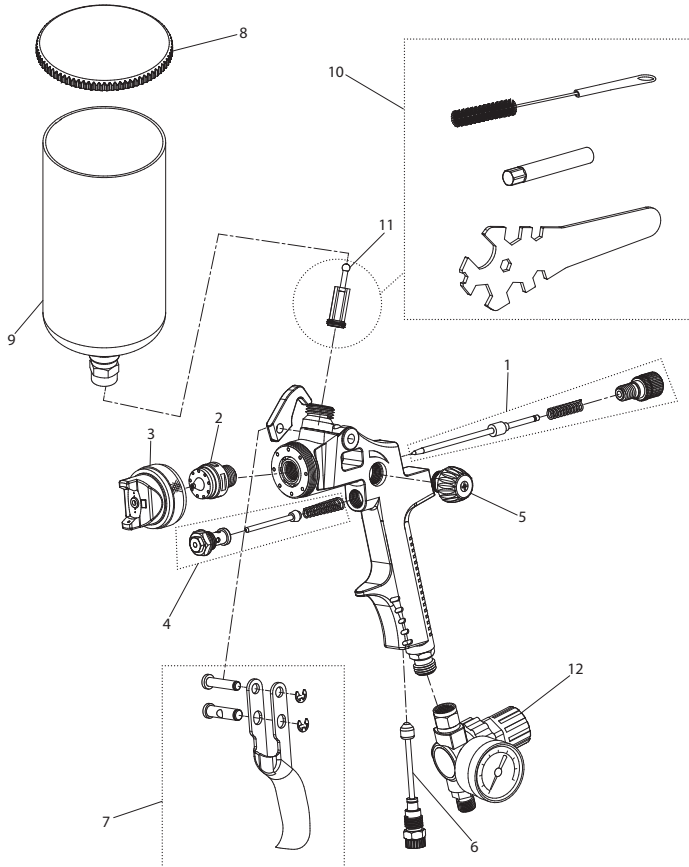


Model 270G Paint Sprayer Exploded Diagram



(Dwg. TP2144)

Model 270G Paint Sprayer Parts List

Item	Part Description	Part Number	Item	Part Description	Part Number
1	Fluid Needle Kit	270G-K20	7	Trigger Kit	210G-K80
2	Fluid Nozzle	270G-30	8	Cup Lid	270G-90
3	Air Cap	270G-40	9	Cup	270G-100
4	Valve Kit	210G-K50	10	Accessories Kit	210G-200
5	Pattern Controller	210G-60	11	Filter	200G-1727
6	Air Controller	270G-70	12	Regulator	270G-9637

Parts and Maintenance

When the life of the tool has expired, it is recommended that the tool be disassembled, degreased and parts be separated by material so that they can be recycled.

Tool repair and maintenance should only be carried out by an authorized Service Center.

Refer all communications to the nearest **Ingersoll Rand** Office or Distributor.

Related Documentation

For additional information refer to:

Product Safety Information Manual 16576563.

Product Information Manual 47083068.

Maintenance Information Manual 16577645.

Manuals can be downloaded from ingersollrandproducts.com