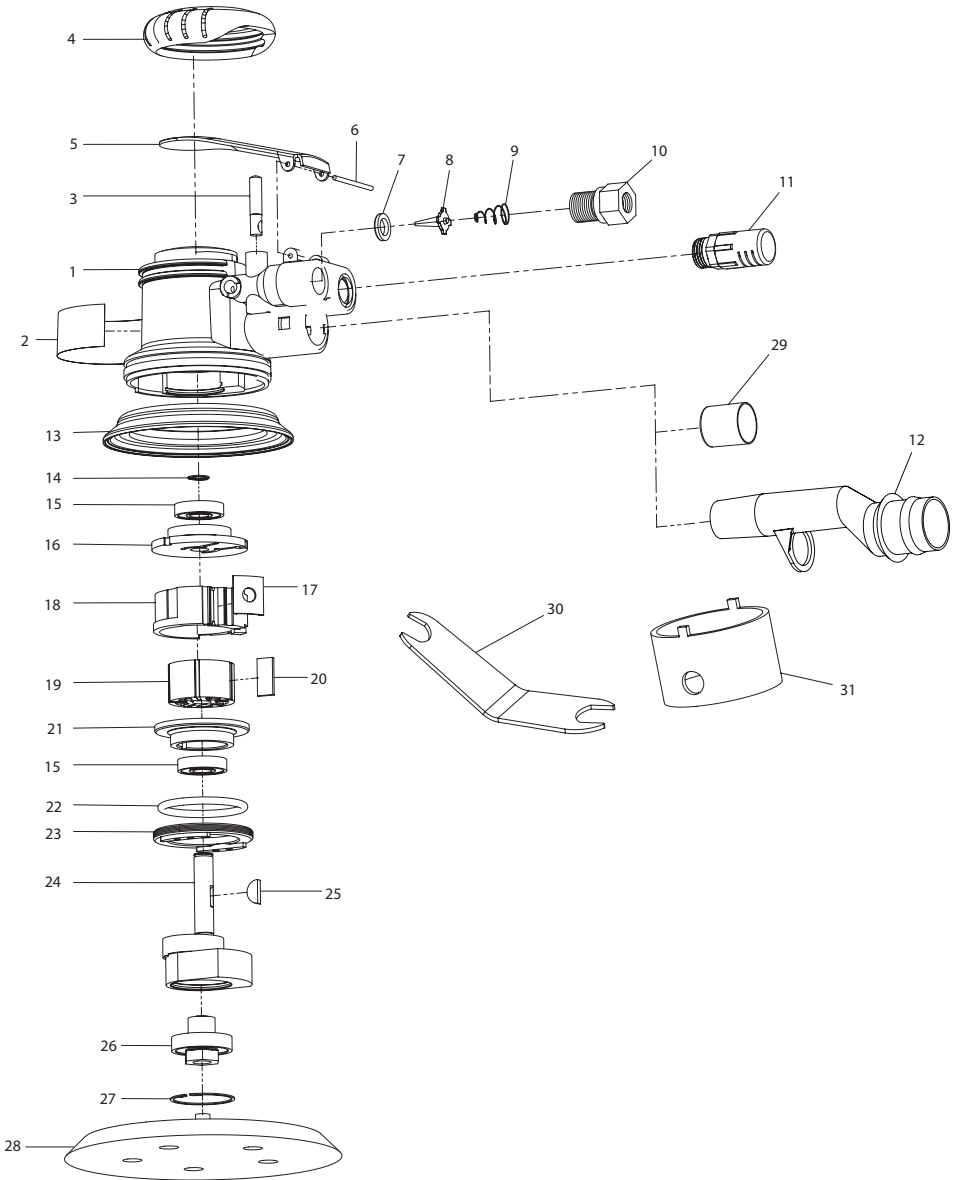


300G Series, Random Orbital Sander - Exploded View



(Dwg. TP2149)

300G Series, Random Orbital Sander - Parts List

Item	Part Description	Part Number	Item	Part Description	Part Number
1	Housing Assembly	300G-A40	17	Cylinder Seal	04649042
2	Label	300G-301A	18	Cylinder Assembly	04649976
3	Valve Stem	04648770	19	Machined Rotor	04648820
4	Grip Ring with Texture	300G-747	20	Vane (set of 5 Vanes)	48254-42-5
5	Lever	300G-273	21	Front End Plate	04648929
6	Spring Pin	04649117	22	O-Ring	04649133
7	Valve Seat	04648804	23	Lock Ring	04648853
8	Tip Valve	04648796	24	Counterbalance Assembly (3/16")	04653333
9	Spring	04648747	25	Key	04648754
10	Inlet Bushing	04649083	26	Spindle Assembly	04649984
11	Muffler Assembly	4151-A810	27	Retaining Ring	04649091
12	Vacuum Adapter	4151-A809A-25	28	6" Pad	VPAD-6
13	Shroud	04648887	29	Port Plug	04649059
14	Retaining Ring	04648762	30	Pad Wrench	04648739
15	Ball Bearing	04648812	* 31	Wrench	48869
16	Rear End Plate	04648945			

* Not included with tool.

Parts and Maintenance

When the life of the tool has expired, it is recommended that the tool be disassembled, degreased and parts be separated by material so that they can be recycled.

Tool repair and maintenance should only be carried out by an authorized Service Center.

Refer all communications to the nearest **Ingersoll Rand** Office or Distributor.

Related Documentation

For additional information refer to:

Product Safety Information Manual 04580387.

Product Information Manual 45735651.

Manuals can be downloaded from www.ingersollrandproducts.com.