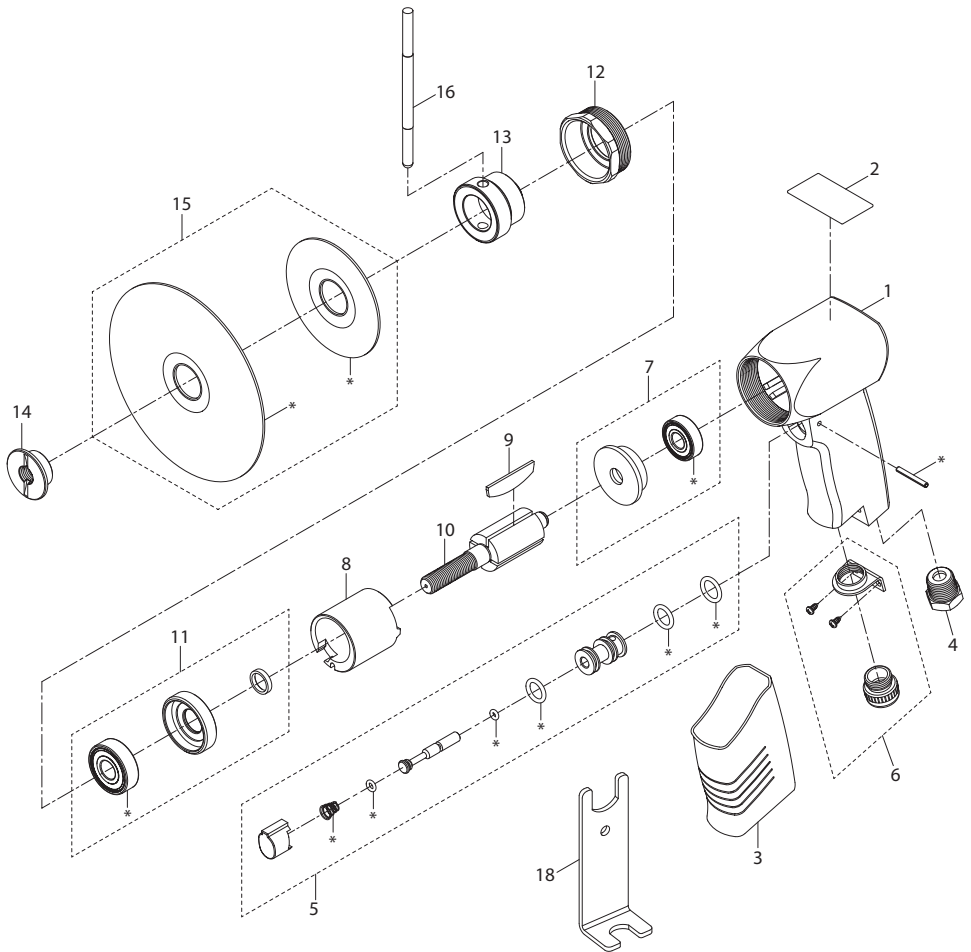


Model 317G High Speed Air Sander - Exploded Diagram



(Dwg. 45664307)

Model 317G High Speed Air Sander - Parts List

Item	Part Description	Part Number	Item	Part Description	Part Number
*	Housing Assembly	317G-A40	10	Rotor	317A-53
1	Housing	---	11	Front-End Plate, Assembly	317A-A11
2	Warning Label and Nameplate	317G-301	12	Motor Lock-nut	317A-27
3	Grip	317G-747	13	Flange	317A-86
4	Inlet Bushing (with Screen)	317A-38	14	Pad Nut	317A-226
5	Trigger Assembly	317A-A93	15	Backing Pads	317A-825
6	Muffler Kit	317A-MK1	16	Insert Holding Tool	317A-26
7	Rear-End Plate Assembly	317A-A12	17	Tool Repair Kit (items marked with *)	317G-TRK1
8	Cylinder	317A-3	18	Wrench	317A-69
9	Vanes (set of 4)	317A-42-4			

Parts and Maintenance

When the life of the tool has expired, it is recommended that the tool be disassembled, degreased and parts be separated by material so that they can be recycled.

Tool repair and maintenance should only be carried out by an authorized Service Center.

Refer all communications to the nearest **Ingersoll Rand** Office or Distributor.

Related Documentation

For additional information refer to:

Product Safety Information Manual 04580387.

Product Information Manual 45661162.

Manuals can be downloaded from www.ingersollrandproducts.com.