

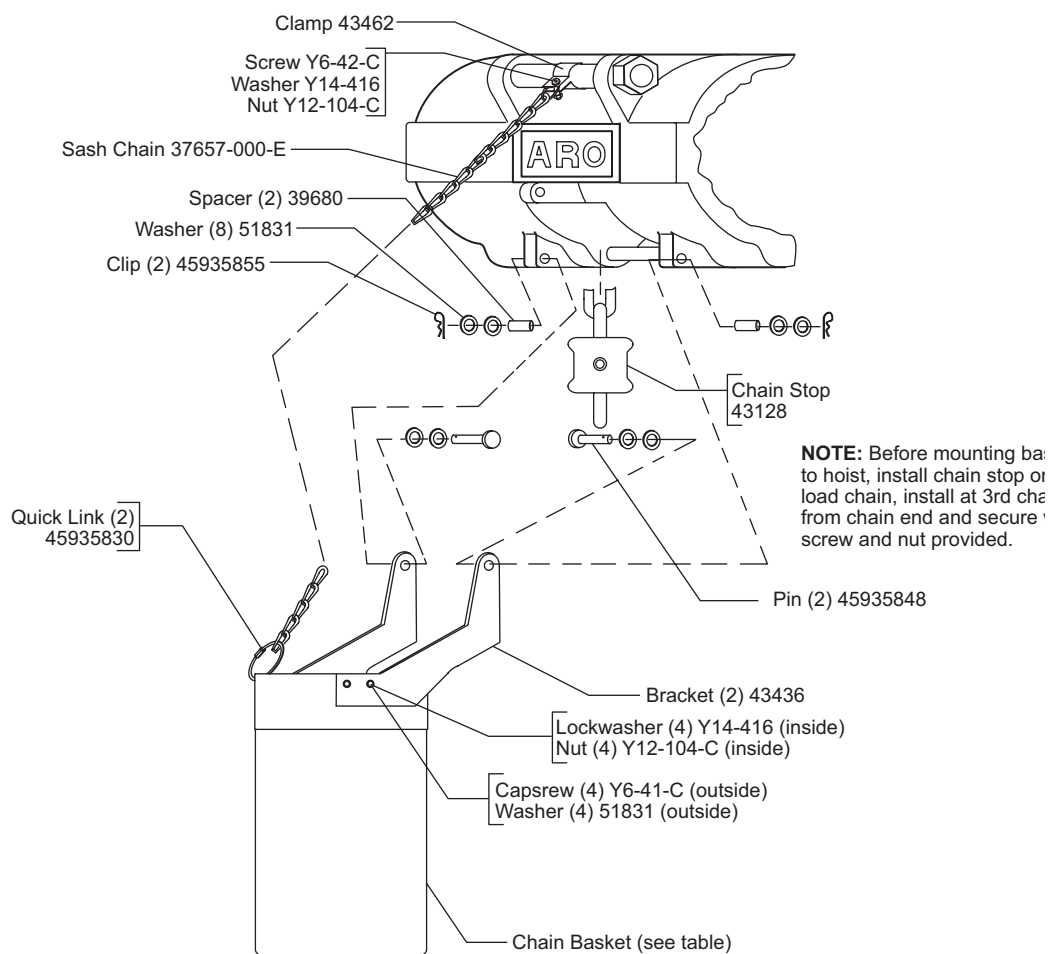
Genuine



Chain Basket Kit Assembly Models 7790-()

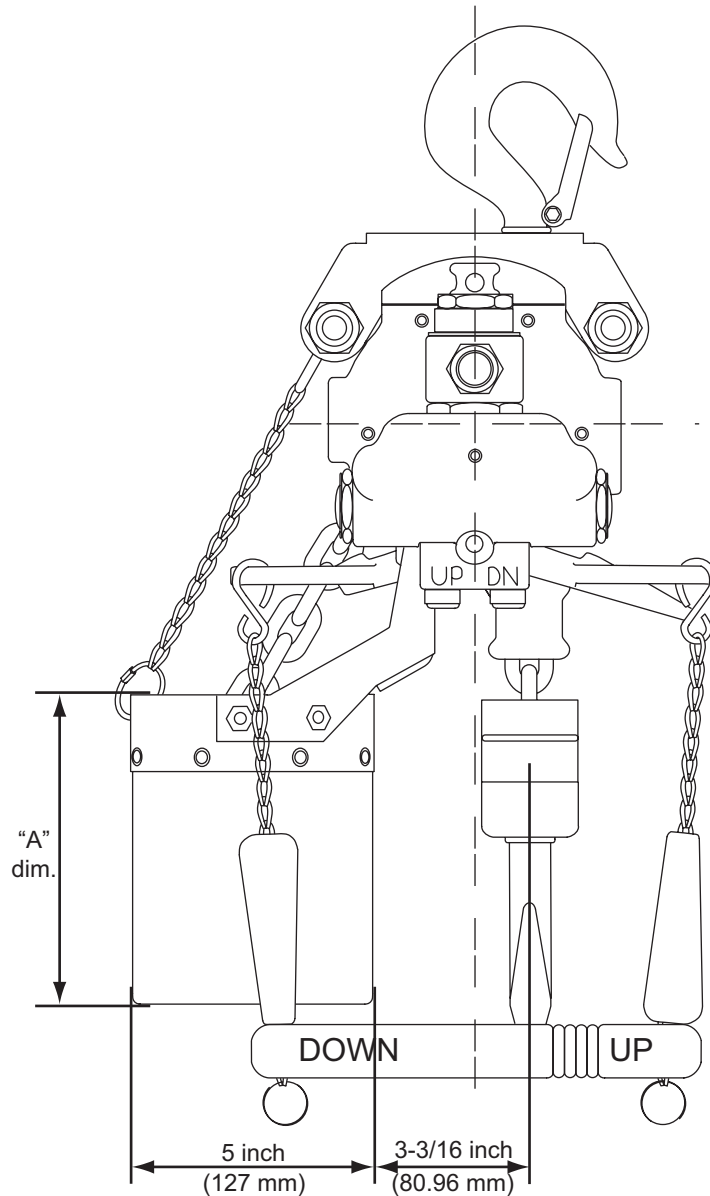
Only allow **Ingersoll Rand** trained technicians to perform maintenance on this product. For additional information contact **Ingersoll Rand** factory or nearest Distributor. Use in conjunction with appropriate Product Information, Maintenance and Safety Manuals. Manuals can be downloaded from www.ingersollrandproducts.com
The use of other than genuine **Ingersoll Rand** replacement parts will result in safety hazards, decreased performance and increased maintenance and will invalidate all warranties.

Use in conjunction with standard product manuals; Hoist Safety Manual MHD56295 and Operator's Manual 10590149.



(Dwg. MHP2308)

CHAIN BASKET KIT ASSEMBLY MODELS 7790-()



(Dwg. MHP3215)

Assembly Part Number	Chain Capacity		Basket Part Number	Type (material)	"A" Dimension	
	ft	m			inch	mm
43441-1	10	3	43440-1	Canvas	6-1/2	165
43441-2	20	6	43440-2	Canvas	10-1/2	267
43441-3	40	12	43440-3	Canvas	18-1/2	470
49800-10	10	3	36384-4	Steel	13	330
49800-20	20	6	36384-5	Steel	16	406
49800-30	30	9	36384-6	Steel	18	457
49800-40	40	12	36384-8	Steel	22	559
49800-60	60	18	36384-9	Steel	28	711
49800-80	80	24	36384-11	Steel	37	940
49800-100	100	30.1	36384-12	Steel	44	1,118

NOTE: All orders are in feet and inches, metric is provided as an approximate.



Form 49999340 Edition 2

To Buy Ingersoll Rand Products Online visit AirToolPro.com
Brought to you by Zampini Industrial Group - Factory Authorized Distribution Since 1987 - 1-800-353-4676