

# INSTALLATION SHEET

# 66312

RELEASED: 9-11-03  
 REVISED: 3-8-10  
 (REV. F)

## 66312 AIR LINE CONNECTION KIT

(For use on 2" Diaphragm Pump models)

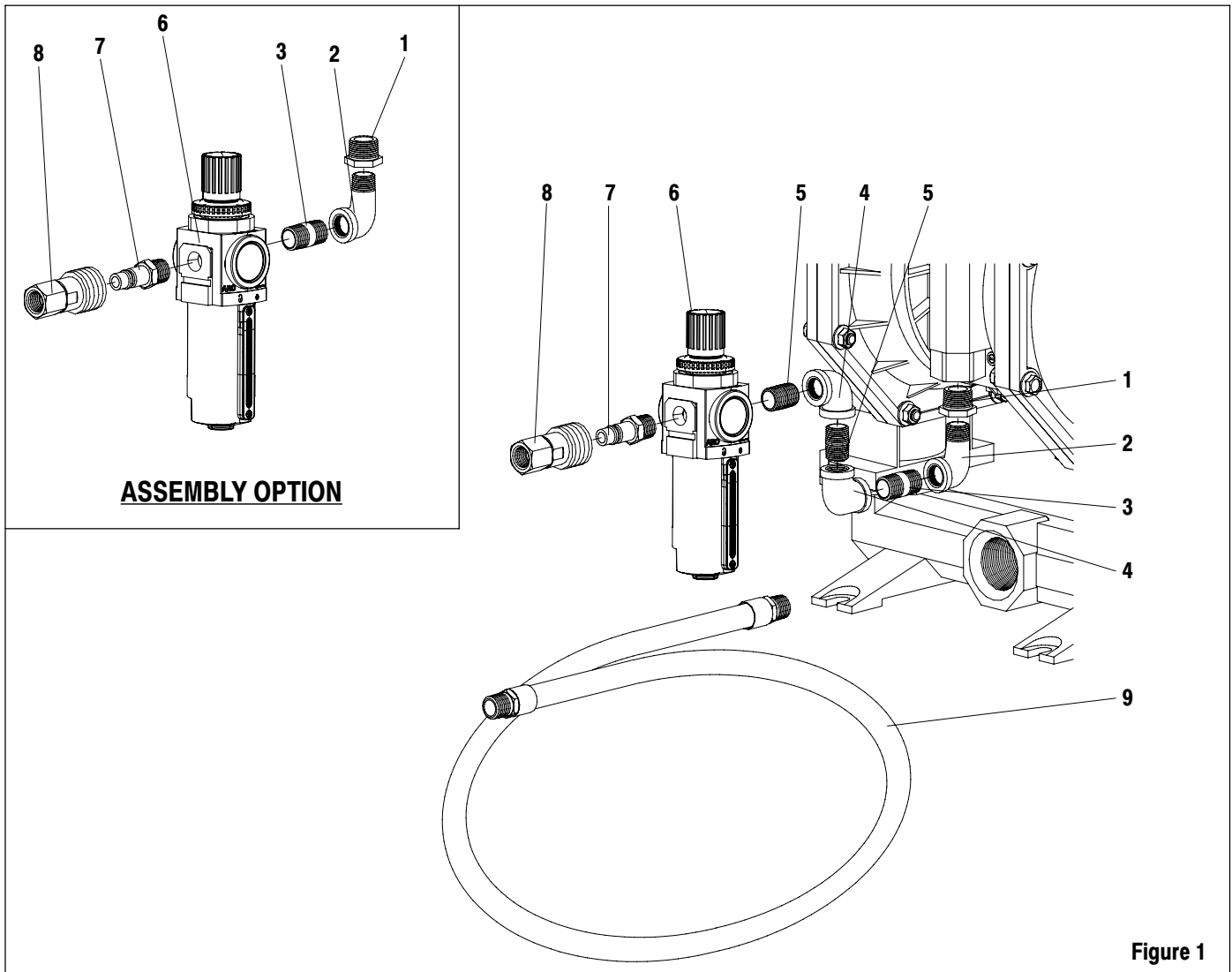
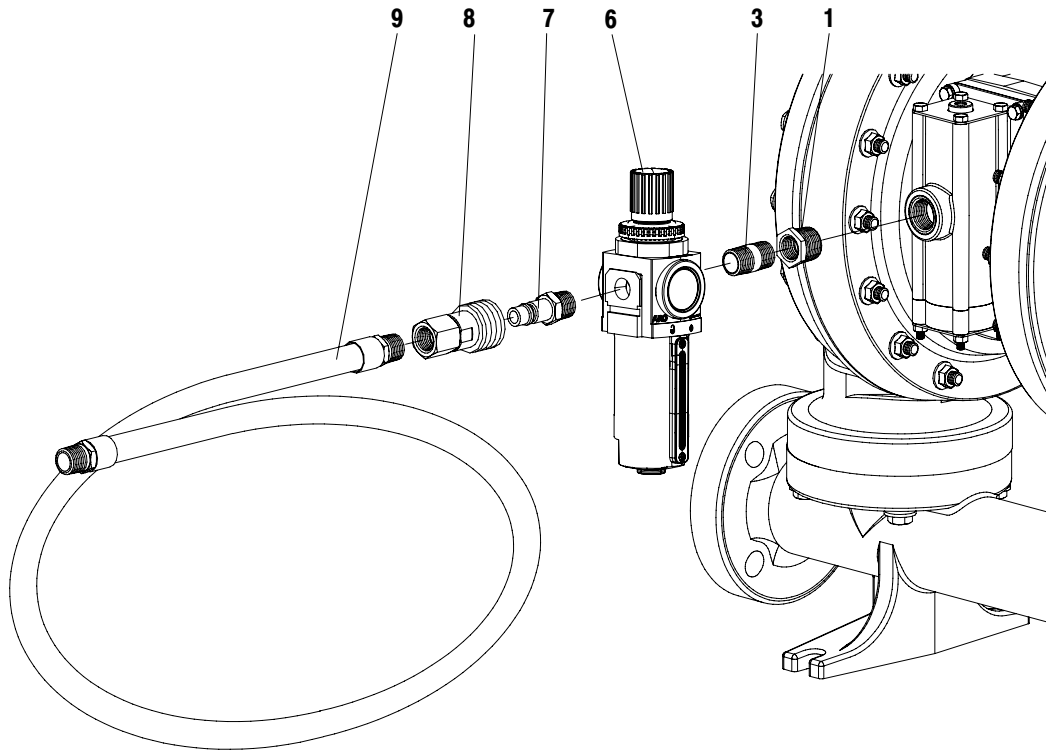


Figure 1

### PARTS LIST

Item	Description (size)	Qty	Part No.	Item	Description (size)	Qty	Part No.
1	Reducing Bushing (3/4 - 14 N.P.T. male x 1/2 - 14 N.P.T. female)	(1)	Y45-9-C	5	Nipple, Close (1/2 - 14 N.P.T. x 1-1/8")	(2)	Y27-4-C
2	90° Street Elbow (1/2 - 14 N.P.T.)	(1)	Y43-4-C	6	Filter / Regulator	(1)	P39344-610
3	Nipple, Short (1/2 - 14 N.P.T. x 1-1/2")	(1)	Y27-54-C	7	Connector (1/2 - 14 N.P.T.F. male)	(1)	23904-410
4	90° Elbow (1/2 - 14 N.P.T.)	(2)	Y43-14-C	8	Coupler (1/2 - 14 N.P.T.F. female)	(1)	23104-400
				9	Hose (1/2" i.d. x 5')(1/2 - 14 N.P.T.F. male)	(1)	621501-5

**ASSEMBLY OPTION FOR 2" NON-METALLIC DIAPHRAGM PUMPS**



**Figure 2**