



**80156466**  
Edition 4  
January 2008

# **Air Grinders and Air Die Grinders**

**G1 Series (*Horizontal*)**

---

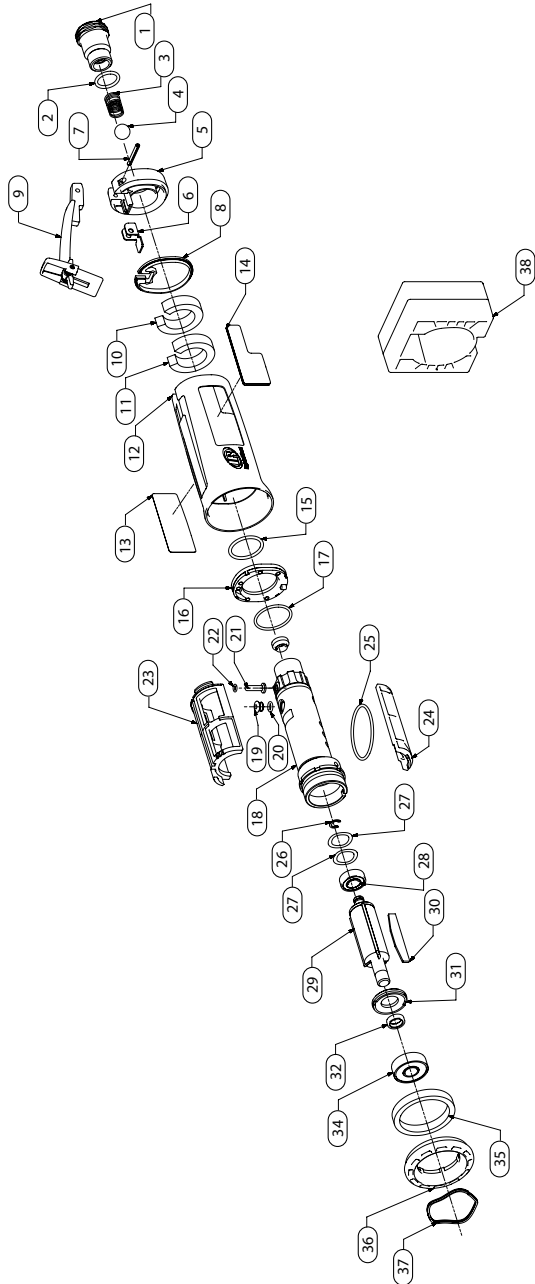
## **Parts Information**



Save These Instructions

 **Ingersoll Rand**

G1 Series (Horizontal) Air Grinder and Die Grinder Exploded Diagram - Body



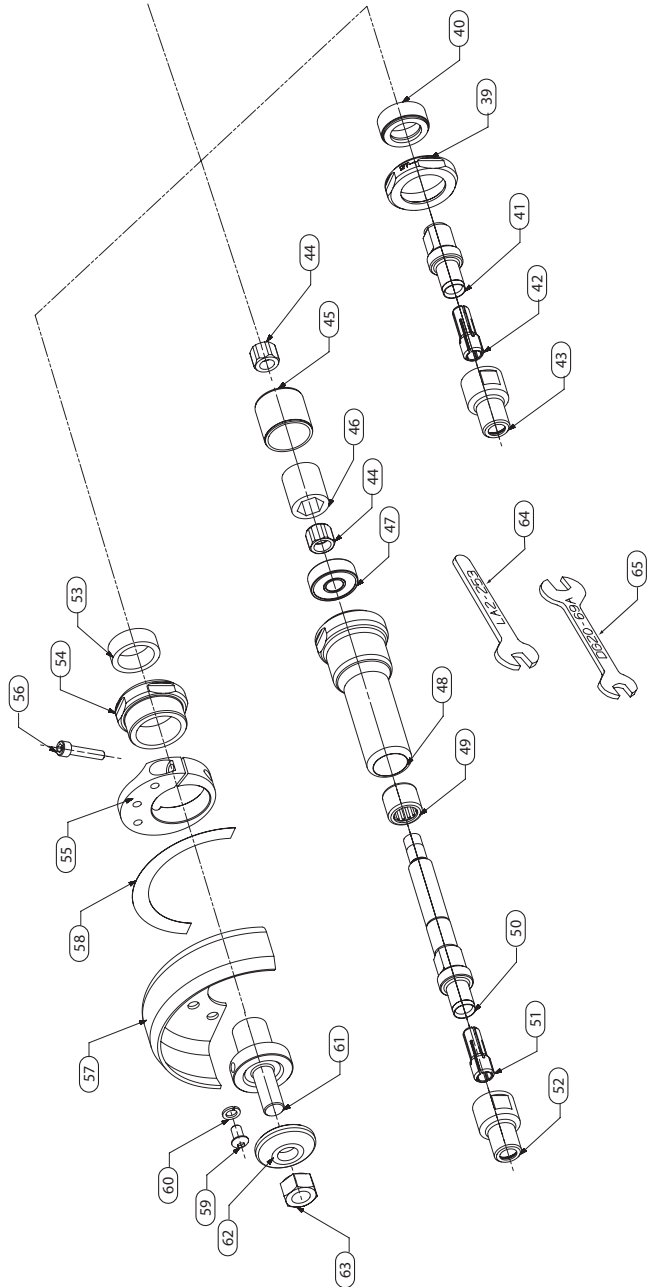
(Dwg. 16579393)

## G1 Series (Horizontal) Air Grinder and Die Grinder Parts List - Body

Item	Part Description	Part Number	Item	Part Description	Part Number
<b>Common parts for all G1H and G1X models</b>					
1	Inlet Assembly	AG1-A465	24	Intake Cover Assembly	AG1-A144
*	Inlet Screen	R1602-61	25	Intake Cover O-Ring	WFS182-211
2	Inlet Seal	80199599	26	Rear Rotor Bearing Retainer	LG1-118
3	Ball Valve Spring	39497	27	Rear Rotor Bearing Spacer (2)	DG20-278-10
4	Ball	D04-280	28	Rear Rotor Bearing	DG230-22
5	Rear Exhaust Diffuser	AG1-123	29	Rotor	
6	Lever Support	AG2-89		for 200 and 250	AG1-53-5A
7	Throttle Lever Pin	61H-120		for 350	AG1-53-3A
8	Rear Exhaust Diffuser Gasket	AG1-223	30	Vane Pack	AG1-42-5
9	Lever Assembly	AG1-A400	31	Front End Plate	AG1-11
*	Lever	---	32	Front End Plate Spacer	DG10-65-5
*	Lock Spring	---	34	Front Rotor Bearing	LG1-24
*	Lock Pin	---	35	Front Muffler	AG1-311F1
*	Lever Lock	---	36	Front Housing Cap	AG1-202
10	Rear Exhaust Diffuser Muffler	AG1-311A	37	Flange Clamp	LG1-29
11	Rear Housing Muffler	AG1-311B	38	Clamp Tool	AG1-598
12	Motor Housing Assembly	AG1-A40	*	Exhaust Hose Adapter Kit	LG1-K284
13	Warning Label	AG1-99		Adapter	LG1-284
14	Model Label	AG1-301		Hose	3RL-284
15	Rear Cylinder O-Ring	AFH120A-358		Retainer	LG1-67
16	Exhaust Seal	AG1-318	*	Tune Up Kit	AG1-TK1
17	Front Cylinder O-Ring	80154206		Includes Part Number (2, 3, 4, 8, 10, 11, 15, 16, 17, 19, 21, 26, 27, 28, 30, 34, 35 and 37)	
18	Cylinder Assembly	AG1-A3			
*	Throttle Bushing	AG2-781	*	Muffler Kit	
*	Ball Valve Seat	AG1-303S		Includes Part Number (10, 11, and 35)	
19	Cylinder Plug Assembly	AG1-A34	*	Rotor Kit	
20	Cylinder Plug O-Ring	80154180		for 200 and 250	AG1-A53-5A
21	Throttle Pin Assembly	AG1-A161		for 350	AG1-A53-3A
22	Throttle Pin O-Ring	16570806		Includes Part Number (26, 27, 28, 29, 30, 31, 32 and 34)	
23	Flow Guide				
	for 200	AG1-200A-4			
	for 250	AG1-200A-3			
	for 350	AG1-200A-1			

\* Not Illustrated

G1 Series (Horizontal) Air Grinder and Die Grinder Exploded Diagram - End



(Dwg. 16579401)

## G1 Series (Horizontal) Air Grinder and Die Grinder Parts List - End

Item	Part Description	Part Number	Item	Part Description	Part Number
<b>Additional parts for all G1H models ending in G4 and G4M</b>			<b>Additional parts for all G1H models ending in H63</b>		
39	Clamp Nut	LG1-27	53	Clamp Spacer	LG1-46H63
40	Clamp Spacer	LG1-46	54	Clamp Nut	LG1-28
41	Collet Body	LG1-290	55	Guard Adapter Assembly	LA1-A710
42	Collet		56	Guard Adapter Screw	804-634
	for models ending in G4	DG110-700-G4	57	Wheel Guard Assembly	AG20-A106-3
	for models ending in G4M	DG110-700-6mm	58	Guard Warning Label	AG2-99G
43	Collet Nut	AG210-699A	59	Wheel Guard Mounting Screw (3)	LA1-667
<b>Additional parts for all G1X models</b>			60	Guard Mounting Screw Lock Washer (3)	R2-320-10
44	Arbor Bearing Nut (2)	LE1-85	61	Straight Wheel Adapter	LG1-4-H63
45	Clamp Sleeve	LE1-276	62	Wheel Flange	DEG31-16
46	Arbor Coupling	LE1-304	63	Flange Nut	23-697
47	Rear Arbor Bearing	AG210-24	<b>Accessories for models ending in H63</b>		
48	Extension Housing Assembly	LE1-A20-3	64	Clamp Nut Wrench	LA2-253
49	Front Arbor Bearing	AGS241-511	<b>Accessories for models ending in G4 and G4M</b>		
50	Extension Arbor	LE1-4A-3	65	Collet Wrench (2)	DG20-69A
51	Collet				
	for models ending in G4	DG110-700-G4			
	for models ending in G4M	DG110-700-6mm			
52	Collet Nut	AG210-699A			

\* Not Illustrated

## Parts and Maintenance

When the life of the tool has expired, it is recommended that the tool be disassembled, degreased and parts be separated by material so that they can be recycled.

Tool repair and maintenance should only be carried out by an authorized Service Center.

Refer all communications to the nearest **Ingersoll Rand** Office or Distributor.

## Related Documentation

For additional information refer to:

Air Die Grinder Product Safety Information Manual 04580288.

Air Die Grinder Product Information Manual Form 80156433.

Air Grinder Product Safety Information Manual Form 04584959.

Air Grinder Product Information Manual Form 80156425.

Manuals can be downloaded from [www.irttools.com](http://www.irttools.com).





[www.irttools.com](http://www.irttools.com)

© 2008 **Ingersoll Rand** Company

