



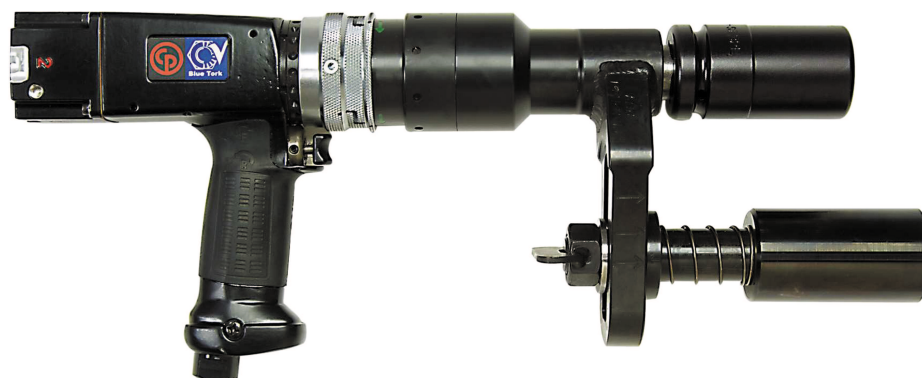
CP Chicago Pneumatic
ZAC de la lorie - 38
rue Bobby Sands 44800 Saint Herblain, France
www.cp.com



Part no 8940166747
Issue no 1
Series no 1
Date 2010-01
Page 1

8941076030, 8941076031, 8941076034, 8941076035

Operator's Manual

CP7600C Series Nutrunners



 WARNING - ATTENTION - WARNUNG - ATENCIÓN - ATENÇÃO - ATTENZIONE - WAARSCHUWING - ADVARSEL - ADVARSEL - VAROITUS - VARNING - ΠΡΟΕΙΔΟΠΟΙΗΣΗ - 警告 - VAROVÁNÍ - FIGYELMEZTETÉS - 警告 - [SPÉJIMAS - ПРЕДУПРЕЖДЕНИЕ - BRĪDINĀJUMS - UWAGA - VÝSTRAHA - OROZORILLO - ПРЕДУПРЕЖДЕНИЕ - UPOZORENJE - AVERTIZARE 	
EN	TO REDUCE THE RISK OF INJURY, BEFORE USING OR SERVICING TOOL, READ AND UNDERSTAND THE FOLLOWING INFORMATION AS WELL AS INCLUDED OR SEPARATELY PROVIDED SAFETY INSTRUCTIONS
FR	POUR RÉDUIRE LES RISQUES DE BLESSURE, AVANT D'UTILISER OU D'ENTREtenir CET OUTIL, LIRE ET COMPRENDRE LES INFORMATIONS QUI SUIVENT AINSI QUE LES INSTRUCTIONS DE SÉCURITÉ JOINTES OU FOURNIES SÉPARÉMENT
DE	VOR DEM EINSATZ ODER DER WARTUNG DES WERKZEUGS FOLGENDE INFORMATIONEN SOWIE BEIGEFÜGTE ODER GETRENNT BEREITGESTELLTE SICHERHEITSANWEISUNGEN LESEN UND VERSTEHEN, UM DAS VERLETZUNGSRISIKO ZU VERRINGERN
ES	PARA REDUCIR EL RIESGO DE SUFRIR LESIONES, ANTES DE UTILIZAR LA HERRAMIENTA DE SERVICIO, POR FAVOR LEA Y COMPRENDA LA INFORMACIÓN SIGUIENTE ASÍ COMO LAS INSTRUCCIONES DE SEGURIDAD QUE SE INCLUYEN ADJUNTAS O SEPARADAS
PT	DE MODO A REDUZIR O RISCO DE ACIDENTES, ANTES DE USAR OU FAZER REPAROS NA FERRAMENTA, LEIA E COMPRENDA AS SEGUINTEs INFORMAÇÕES ASSIM COMO AS INSTRUÇÕES DE SEGURANÇA INCLUÍDAS OU FORNECIDAS EM SEPARADO
IT	PER RIDURRE IL RISCHIO DI INFORTUNI, PRIMA DI UTILIZZARE O SOTTOPORRE A MANUTENZIONE L'UTENSILE, SI PREGA DI LEGGERE E COMPRENDERE LE SEGUENTI INFORMAZIONI E LE NORME DI SICUREZZA IN DOTAZIONE O FORNITE SEPARATAMENTE
NL	ALVORENS U HET GEREEDSCHAP GEBRUIKT OF ONDERHOUD, LEES EN BEGRIJP DE VOLGENDE INFORMATIE ALSOOK DE AFZONDERLIJKE OF BIJGEVOEGDE VEILIGHEIDSinSTRUCTIES OM HET RISICO OP VERWONDINGEN TE VERMIJDEN
DA	LÆS OG FORSTÅ NEDENSTÅENDE OPLYSNINGER SAMT DE MEDFØLGENDE ELLER SEPARATE SIKKERHEDSinSTRUKTIONER FØR BRUG ELLER SERVICERING AF VÆRKTØJET FOR AT REDUCERE RISIKOEN FOR TILSKADEKOMST
NO	FOR Å REDUSERE RISIKOEN FOR SKADE, FØR BRUK ELLER UTFØRING AV SERVICE PÅ VERKTØYET, MÅ DU LESE OG FORSTÅ FØLGENDE INFORMASJON OG SIKKERHETSINFORMASJONEN SOM ER INKLUDERT ELLER LEVERT SEPARAT
FI	ENNEN KUIN KÄYTÄT KONETTA LUE SEURAAVAT TIEDOT SEKÄ NIIDEN MUKANA TAI ERIKSEEN TOIMITETUT TURVAOHJEET JA VARMISTA, ETTÄ OLET YMMÄRTÄNYT NE VÄLTTYÄKSESI HENKILÖVAHINGOILTA
SV	FÖR ATT MINSKA RISKEN FÖR SKADOR SKA DU LÄSA OCH FÖRSTÅ NEDANSTÅENDE INFORMATION, SAMT ÄVEN DE SÄKERHETSINSTRUKTIONER SOM MEDFÖLJER ELLER LEVERERAS SEPARAT, INNAN DU ANVÄNDER KTYGET

Zampini Industrial Group

AirToolPro.com

1-800-353-4676

ZAMPINI
INDUSTRIAL GROUP



CP Chicago Pneumatic
ZAC de la lorie - 38
rue Bobby Sands 44800 Saint Herblain, France
www.cp.com

Part no	8940166747
Issue no	1
Series no	1
Date	2010-01
Page	2

8941076030, 8941076031, 8941076034, 8941076035

**FOR DETAILED INFORMATION ABOUT CHICAGO PNEUMATIC
AIR TOOLS AND EQUIPMENT VISIT OUR WEBSITE**

www.cp.com

INSTRUCTION MANUAL

This product is designed for installing and removing threaded fasteners in wood, metal and plastic. No other use permitted. For professional use only.

Main characteristics

Torque range	300-900 Nm
Free speed	100 r/mn (tr/mn)
Working pressure	3-7 bar
Air consumption	19 l/s (40CFM)
Weight:	
CP7600 C	6.8 kg
CP7600 C-R	7.4 kg
CP7600 C-4P	7.1 kg
CP7600 C-R4P	7.7 kg

Noise and vibration emission

Noise according to ISO15744	dB(A)
Measured sound pressure level	79
Determined sound power level	
Spread in method and production	3

Vibration according to ISO 8662-7	m/s ²
Measured vibration value	<2.5
Spread in method and production	

Declaration of noise and vibration emission

These declared values were obtained by laboratory type testing in accordance with the stated standards and are suitable for comparison with the declared values of other tools tested in accordance with the same standards. These declared values are not adequate for use in risk assessments and values measured in individual work places may be higher. The actual exposure values and risk of harm experienced by an individual user are unique and depend upon the way the user works, the workpiece and the workstation design, as well upon the exposure time and the physical condition of the user.

We, CP, cannot be held liable for the consequences of using the declared values, instead of values reflecting the actual exposure, in an individual risk assessment in a work place situation over which we have no control. This tool may cause hand-arm vibration syndrome if its use is not adequately managed. An EU guide to managing hand-arm vibration can be found at <http://www.human-vibration.com/EU/VIBGUIDE.htm> We recommend a programme of health surveillance to detect early symptoms which may relate to vibration exposure, so that management procedures can be modified to help prevent future impairment.

Part no	8940166747
Issue no	1
Series no	1
Date	2010-01
Page	4

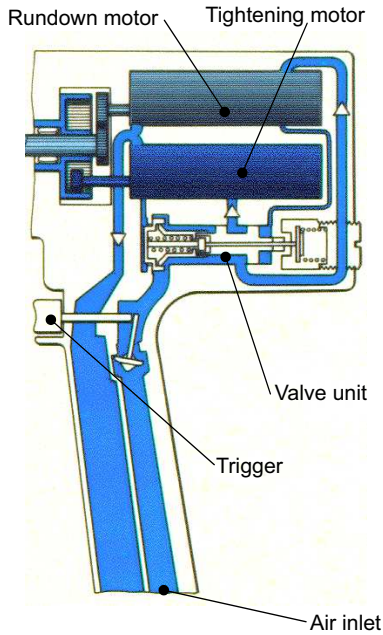


Copyright

© Copyright 2008, CP. All rights reserved. Any unauthorized use or copying of the contents or part thereof is prohibited. This applies in particular to trademarks, model denominations, part numbers and drawings. Use only authorized parts. Any damage or malfunction caused by the use of an authorized parts is not covered by Warranty or Product Liability.

Principle

Inside CP7600, a valve unit combines 2 key functions: driving the air through the two pneumatic motors and shutting off the air supply of the tool.



Rundown

When pulling the trigger, the air flows through the valve unit, driving the air through the rundown motor that rotates. This motor drives a low ratio gear generating high speed and low torque.

Motor switch

As the torque load applied on the CP7600 output drive increases, the rundown motor slows down, leading to a higher air pressure inside the motor. Under this higher pressure, the valve is pushed to another position.

Tightening

The air is then driven through the tightening motor. This motor drives a high ratio gear generating low speed and high torque.

Shut off

As the torque load continues to increase, the tightening motor slows down, leading to a higher air pressure in the motor. When this air pressure exceeds the adjusted pressure of a spring, a piston in the valve unit is pushed, shutting off the whole air admission.

Adjusting the shut off

The spring pressure is adjusted when calibrating of the tool. A specific air pressure (usually 6.3 bar/90 psi) leads to a specific torque.

WARNING



A change in the air pressure will affect the behavior of the shut off.

If the air pressure is higher than the calibration air pressure, the shut off will operate earlier and the torque will be lower than expected.

It is very important to run CP7600 at the air pressure written on the calibration certificate, in order to get the proper torque.

Installation

Air quality

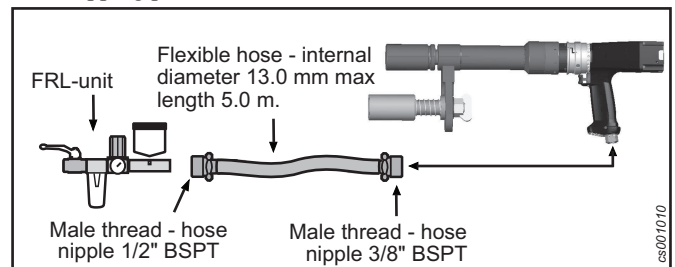
- For optimum performance and maximum machine life we recommend use of compressed air with a dew point between +2°C and +10°C. Installation of a refrigeration-type air dryer is recommended.
- Use a separate air filter to remove solid particles larger than 30 microns and more than 90 % of water, installed as close as possible to the machine and prior to any other air preparation unit. Blow out the hose before connecting.
- The compressed air must contain a small quantity of oil. We strongly recommend that you install a oil-fog lubricator to be set normally at 3-4 drops(50mm³)/m³ air consumption for long cycle running tools, or a single-point lubricator for short cycle running tools.
- Regarding lubrication free tools it is, at the customers option, no disadvantage if the compressed air contains a small quantity of oil as supplied from a lubricator. An exception is turbine tools that should be kept oil free. (For further information please see Air Line Accessories in our main catalogue.)

Compressed air connection

- The machine is designed for a working pressure (e) of 3-7 bar = 300-700 kPa = 44-102 psi.
- Blow out the hose before connecting.

Recommended installation

To ensure correct capacity of the machine, we strongly recommend you to follow the enclosed installation proposal from the air network tapping point to the tool.



Handling

Tightening torque setup

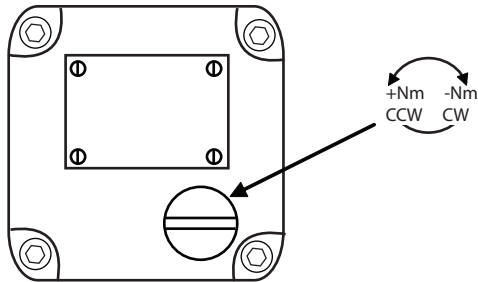
For accurate operation and safety, the tightening torque of the nut runner must be set correctly in relation to the screw joint. Check the tightening torque given to the joint in question.

The air pressure supplied by the FRL unit is set according to the pressure written on the calibration certificate at free speed (trigger fully pressed and nutrunner running freely with no load during a couple of seconds) usually 6.0 - 6.3 bar = 87 - 91 psi.

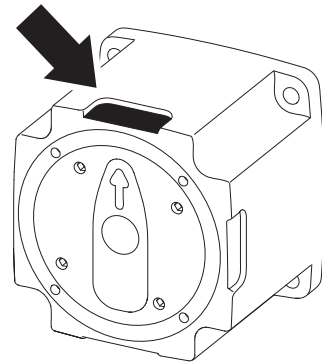


Single torque selector

Adjust the torque setting by means of the adjustment key. The torque is increased when screwing the screw counter clockwise. After adjustment, check the tightening torque given to the joint in question.



c000850

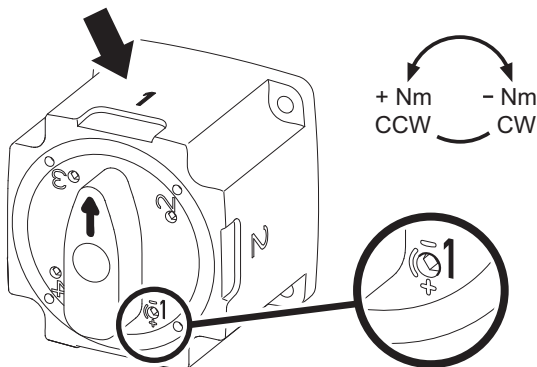


cs001050

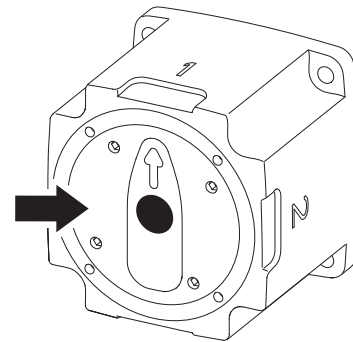
i If shut-off is carried out at high speed of revolution, causing a high torque scatter, it is recommended to reduce the air pressure.

4-position selector

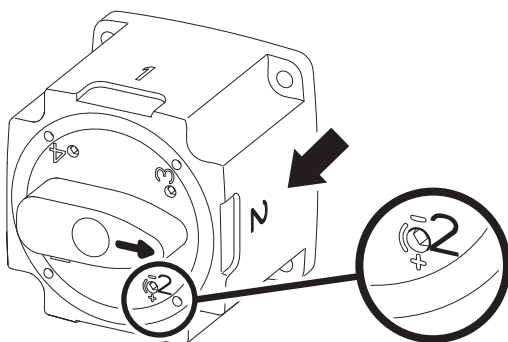
In order to set Torque 1, turn the rotary switch to the ref. mark on the housing. Set the adjustment screw 1. See mark on the switch how to increase/decrease the torque. To set Torque 2, turn the rotary switch to the Ref. 2 mark on the housing. Set the adjustment screw 2.



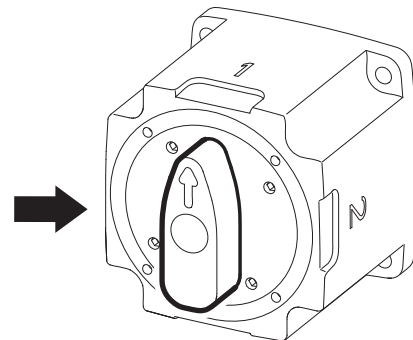
cs000800



cs000810



cs001040



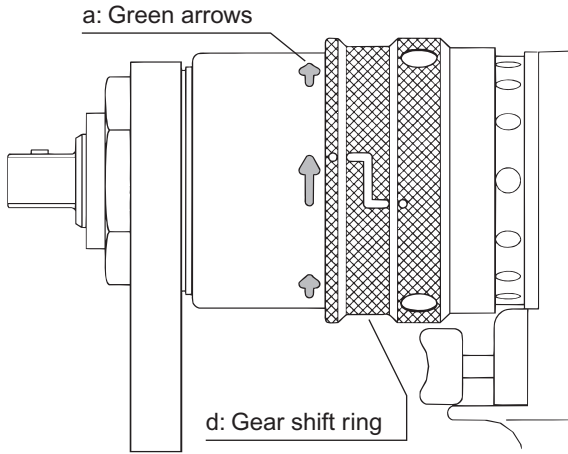
cs001060

Remember your torque settings by placing your own markings on the four areas on the housing.

Operating instructions Tightening torque selection

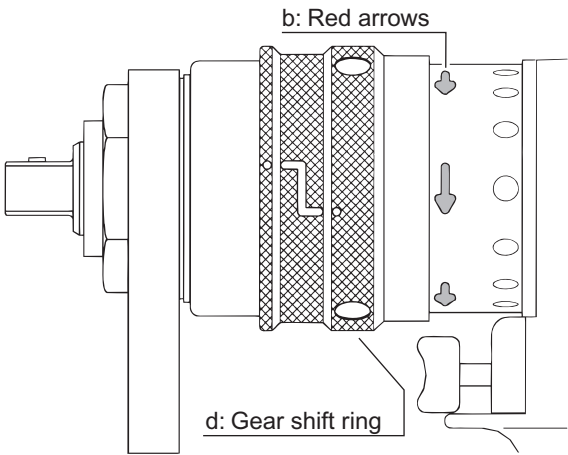
Push the black button. Turn the rotary switch to desired position. Push the rotary switch back in.

Position of the gear shift ring - clockwise gear position



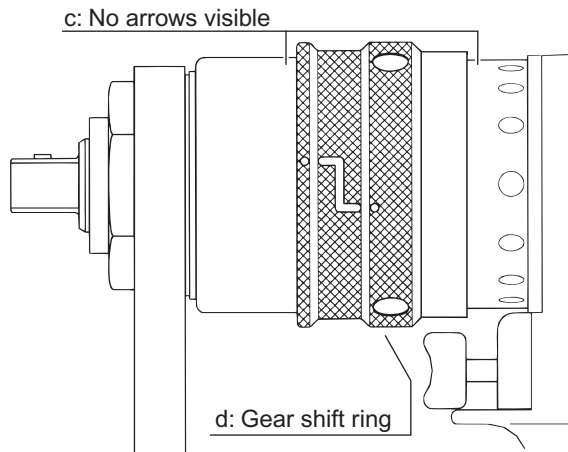
cs000940

Position of the gear shift ring - counter-clockwise gear position



cs000950

Position of the gear shift ring - middle gear position



cs000960

Instructions for reversing

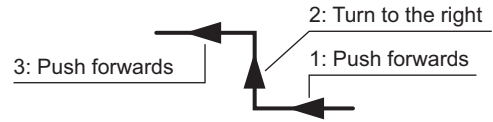
As there is no automatic return of the gear shift to a fixed position, always check before starting that gear shift is in clockwise position or counter-clockwise position with all arrows clearly visible.

WARNING



Never shift the gear when the machine is running. Never start the machine when gear shift is in middle position.

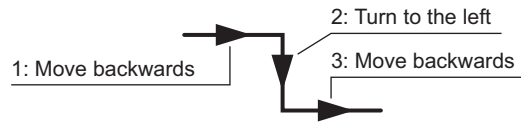
Grip the gear shift ring by hand and move it forward – right – forward, see Fig. below.



cs000970

The red arrows indicate the direction of running. I.e. the machine will run counter-clockwise when started.

When changing back to the clockwise position, pull the ring back – left – back, see Fig. below.



cs000980

The green arrows indicate the direction of running, i.e. the machine will run clockwise when started. It is not necessary to keep the ring in both positions by hand.

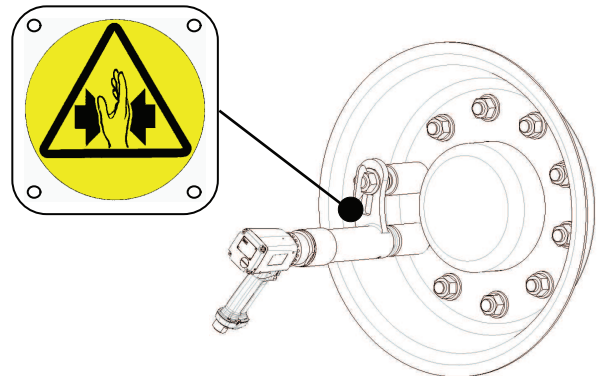
Extended reaction arm with spring loaded tube positioning

Adjust center-to-center distance between socket and spring loaded tube according nuts to tighten/untighten.

Check that the spring loaded tube is firmly fitted along the reaction arm.

Apply the reaction bar in the wanted position before starting the machine.

Reaction arm must absolutely turn around hub.



cs001020

Maintenance

For maximum performance

It is important to lubricate regularly to get maximum performance and trouble-free operation. The motor should be lubricated with oil; i.e. drops of oil can be dropped either into the compressed air or directly into the air inlet.

The trigger, planetary gears, needle bearings and ball bearings should be lubricated with grease during the regular overhaul of the machine.

The angle gear and clutch must be lubricated using grease that contains molybdenum disulphide: Molykote BR2 Plus, for example, or an equivalent brand.

Use lubricants of good quality. The oils and greases mentioned in the table are examples of lubricants which are recommended.

Rust protection and internal cleaning

Water in the compressed air, dust and wear particles cause rust and sticking of vanes, valves etc. An air filter should be installed close to the machine (see "Air quality").

Service instructions


Overhaul and preventive maintenance is recommended at regular intervals once per year or after maximum 250.000 tightening depending on which occurs sooner. More frequent overhaul may be needed, if used at high torque and long tightening times. If the machine not is working properly, it should immediately be taken away for inspection.

The strainer at the air inlet and the exhaust silencer should be cleaned frequently or replaced in order to prevent clogging, which decreases the capacity.

At the overhauls, all parts should be cleaned accurately and defective or worn parts (i.e. O-rings, vanes) should be replaced.

Disassembling/assembling

It is important that the machines threaded connections are tightened properly; i.e. in accordance with the specifications on the exploded views.

 Lubricate o-rings and threaded connections with grease before assembling.

Cleaning

Clean all parts thoroughly in white spirit or similar cleaning agent. To prevent clogging and decreased power, it could be necessary to clean the strainer (if used) and the exhaust filter between the overhauls.

Inspection

After the cleaning, inspect all parts. Damaged and worn parts should be replaced.


Lubrication

Lubricate specially gears, valve and clutch with grease containing molybdenum disulphide (e.g. Molykote BR2 Plus). Please see exploded views and fig. under Service instructions.

Grease guide Nutrunners

Brand	Bearings (general purpose)	Free wheel unit (gear rim and gear wheels)	Free wheel
BP	Energrease LS-EP2		Energrease LS-EP2
Castrol	Spheerol EP L2		
Esso	Beacon EP2		Beacon EP2
Q8	Rembrandt EP2		Rembrandt EP2
Mobil	Mobilegrease XHP 222		
Shell	Alvania EP2		Alvania EP2
Texaco	Multifak EP2		
Molycote			
Lubricating		Suntemp LE 9102	
STP		Oil treatment	

Brand	Gears	Air lubrication
Bp		Energol E46
Castro		
Esso		AroxEP46
Q8		Chopin 46
Mobil		Almo oil 525
Shell		Torcula 32
Texaco		Aries 32
Molycote	BR2 Plus	

Part no	8940166747	
Issue no	1	
Series no	1	
Date	2010-01	
Page	8	

Safety instructions

Warning

Make sure you are familiar with the operating instructions before you use this machine.

The machine, together with any attachments and accessories, must never be used for anything other than the designated purpose.

All locally legislated safety rules with regard to installation, operation and maintenance shall be respected at all times.

Refer installation and servicing to qualified personnel only.

Before making any adjustments (e.g. changing sockets) disconnect the machine from the compressed air line.

Check the direction of the rotation before using the machine.

Operators of nutrunners with a torque reaction bar should take particular care to avoid injuries due to squeezing. For safety reasons – never allow anyone to operate the machine unless he is trained and thoroughly familiar with how the machine works in different circumstances. Refer to the section headed “Reaction bar”.

The machine may only be used together with the associated torque reaction bar which is adapted to the screw joint application concerned. See also the instructions under the heading “Reaction bar”.

Never put your hand on or close to the reaction bar while the machine is being used.


Check that the power socket is properly fastened. Replace the retaining or locking pin when necessary. Also replace any worn socket.

Keep hands, long hair or other objects away from the rotating socket.

When using a suspension yoke, check that it is in good condition and correctly fastened.

CP Guarantee

- 1) This CP product is guaranteed against defective workmanship or materials, for a maximum period of 12 months following the date of purchase from CP or its agents, provided that its usage is limited to single shift operation throughout that period. If the usage rate exceeds that of single shift operation, the guarantee period shall be reduced on a pro rata basis.
- 2) If, during the guarantee period, the product appears to be defective in workmanship or materials, it should be returned to CP or its agents, together with a short description of the alleged defect. CP shall, at its sole discretion, arrange to repair or replace free of charge such items as are deemed faulty by reason of defective workmanship or materials.
- 3) This guarantee ceases to apply to products which have been abused, misused or modified, or which have been repaired using other than genuine CP spare parts or by someone other than CP or its authorized service agents.
- 4) Should CP incur any expense correcting a defect resulting from abuse, misuse, accidental damage or unauthorized modification, they will require that such expense shall be defrayed in full.
- 5) CP accepts no claim for labour or other expenditure made upon defective products.
- 6) Any direct, incidental or consequential damages whatsoever arising from any defect are expressly excluded.
- 7) This guarantee is given in lieu of all other guarantees, or conditions, expressed or implied, as to the quality, merchantability or fitness for any particular purpose.
- 8) No one, whether an agent, servant or employee of CP, is authorized to add to or modify the terms of this limited guarantee in any way.

Part no	8940166747	
Issue no	1	
Series no	1	
Date	2010-01	
Page	10	

MANUEL UTILISATEUR

Ce produit est conçu pour le serrage et le deserrage d'ensembles vissés en bois, métal et plastique. Aucune autre utilisation n'est autorisée. Usage professionnel exclusivement.

Caractéristiques principales

Couple	300-900 Nm
Vitesse à vide	100 r/mn (tr/mn)
Pression d'utilisation	3 - 7 bar
Consommation air comprimé	19 l/s (40CFM)
Masse:	
CP7600 C	6.8 kg
CP7600 C-R	7.4 kg
CP7600 C-4P	7.1 kg
CP7600 C-R4P	7.7 kg

Niveau de bruit et émission de vibrations déclarés

Bruit mesurées conformément à ISO15744	dB(A)
Niveau de pression sonore mesuré	79
Niveau de puissance sonore déterminée	
Propagation en méthode et production	3

Vibrations mesurées conformément à EN/ISO 8662-7	m/s ²
Valeur de vibration mesurée	<2.5
Propagation en méthode et production	

Déclaration relative au bruit et aux vibrations

Les valeurs déclarées ont été obtenues lors d'essais de type réalisés en laboratoire, conformément aux standards établis et peuvent faire l'objet de comparaisons avec les valeurs déclarées d'autres outils testés selon les mêmes standards. Les valeurs déclarées ne peuvent être utilisées dans le cadre d'une estimation des risques et les valeurs relevées sur des postes de travail individuels peuvent s'avérer supérieures. Les valeurs d'exposition réelles et le risque de nuisance pour un utilisateur individuel sont uniques et dépendent de la manière dont l'utilisateur travaille, de la pièce usinée, de l'organisation du poste de travail en lui-même ; ils dépendent également de la durée d'exposition et de la condition physique de l'utilisateur.

Nous, soussignés CP, ne pouvons être tenus pour responsables des conséquences que peut entraîner l'utilisation de ces données déclarées à la place des valeurs correspondant à l'exposition réelle, dans le cadre d'une estimation des risques individuels sur un lieu de travail sur lequel nous n'avons aucun contrôle. Cet outil peut entraîner le syndrome des vibrations main-bras s'il n'est pas utilisé de manière adéquate. Le guide de l'UE des bonnes pratiques en matière de vibrations main-bras est disponible à l'adresse suivante : <http://www.humanvibration.com/EU/VIBGUIDE.htm> Nous recommandons la mise en place d'un programme de surveillance médicale afin de détecter les premiers symptômes qui pourraient être dus à une exposition aux vibrations ; les procédures de gestion pourraient alors être modifiées pour éviter une future déficience.

Copyright

© Copyright 2008, CP. Tous droits réservés. Tout usage illicite ou copie totale ou partielle sont interdits. Ceci s'applique plus particulièrement aux marques déposées, dénominations de modèles, numéros de pièces et schémas. Utiliser exclusivement les pièces autorisées. Tout dommage ou mauvais fonctionnement causé par l'utilisation d'une pièce non autorisée ne sera pas couvert par la garantie du produit et le fabricant ne sera pas responsable.

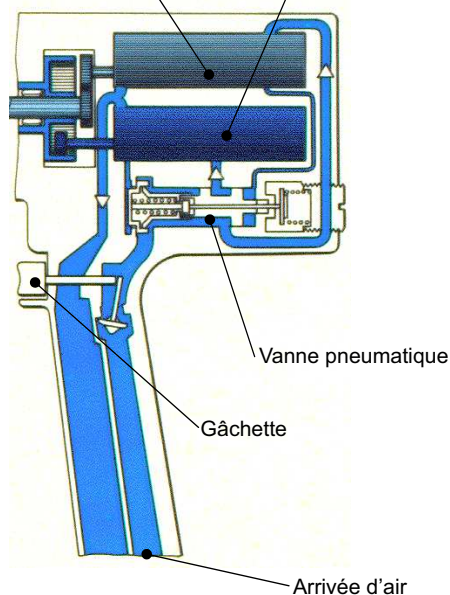
Principe de fonctionnement

La CP7600 est équipée d'une vanne pneumatique qui combine 2 fonctions clés :

- alimenter en air comprimé les 2 moteurs pneumatiques
- couper l'alimentation en air comprimé des 2 moteurs lorsqu'un seuil de couple.

Le fonctionnement de la CP7600, lors d'un cycle de vissage, comprend plusieurs phases particulières:

Moteur d'approche Moteur de serrage



cs000870

Approche

Lorsque la gâchette est enfoncée, l'air comprimé traverse la vanne pneumatique et alimente le moteur d'approche qui commence à tourner. Ce moteur est lié à une faible démultiplication ce qui permet d'obtenir une vitesse de sortie importante et un couple faible.

Commutation de moteurs

Plus le couple appliqué en sortie de la CP7600 augmente, plus le moteur d'approche ralentit. De ce fait la pression dans le moteur augmente et provoque un déplacement de la vanne pneumatique qui augmente alors l'alimentation du moteur de serrage.

Serrage

Le moteur de serrage fournit grâce à une forte démultiplication un couple élevé mais une vitesse de sortie faible.

Coupure

Plus le couple appliqué en sortie de la CP7600 augmente, plus le moteur de serrage ralentit. De ce fait la pression dans le moteur augmente et provoque un déplacement de la vanne pneumatique

qui coupe alors complètement l'alimentation en air comprimé des 2 moteurs.

Réglage de la coupure

Lors de la calibration, l'effort appliqué par le ressort de la vanne pneumatique est ajusté de manière à obtenir la coupure au couple voulu. Cette calibration est réalisée à une pression spécifique, typiquement 6.3bar/90psi.

ATTENTION



Une modification anormale de la pression d'alimentation de l'outil peut modifier le fonctionnement de la vanne de coupure.

Si la pression d'alimentation est supérieure à la pression de calibration, la coupure peut se produire prématurément à un couple inférieur à celui demandé.

Il est impératif de faire fonctionner la CP7600 avec une pression conforme à celle mentionnée sur le certificat de calibration afin d'obtenir le couple requis.

Installation

Qualité de l'air

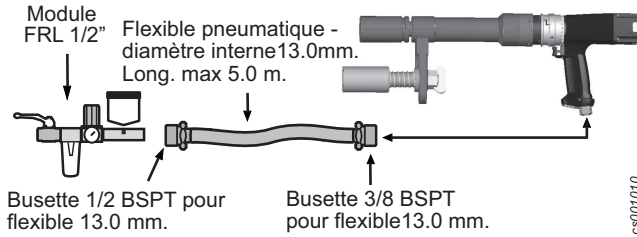
- Pour obtenir des performances optimales et une durée de vie de la machine maximum, nous vous recommandons d'utiliser de l'air comprimé avec un point de rosée compris entre +2°C et +10°C. L'installation d'un sécheur d'air comprimé de type déshydrateur à réfrigération est recommandée.
- Utilisez un filtre à air indépendant pouvant retenir les particules solides supérieures à 30 microns et plus de 90 % d'eau sous forme liquide. Le filtre sera installé aussi près que possible de la machine et avant toute unité de traitement préalable de l'air. Purgez le flexible par soufflage avant de le raccorder.
- L'air comprimé doit contenir une petite quantité d'huile. Nous vous recommandons fortement d'installer pour les outils à cycle long un lubrificateur à brouillard d'huile, celui-ci étant généralement réglé pour fournir de 3 à 4 gouttes (50mm³) par m³ de consommation d'air, ou pour les outils à cycle court un lubrificateur pour graissage localisé.
- Pour les outils n'exigeant pas de lubrification, il n'y a aucun inconvénient, selon le choix du client, à ce que l'air comprimé contienne une petite quantité d'huile fournie par un lubrificateur. Les outils à turbine qui doivent rester exempts d'huile sont une exception. (veuillez vous reporter au chapitre Accessoires de ligne de notre catalogue principal).

Raccordement de l'air comprimé

- L'outil est conçu pour une pression d'utilisation (e) de 3 à 7 bar = 300-700 kPa = 6-7 kp/cm².
- Soufflez de l'air dans le flexible avant de le connecter.

Position d'installation

Pour garantir des performances optimales à votre outil, nous vous recommandons de vérifier que votre installation est conforme aux préconisations ci-dessous.



cs001010

Maniement

Réglage du couple de serrage

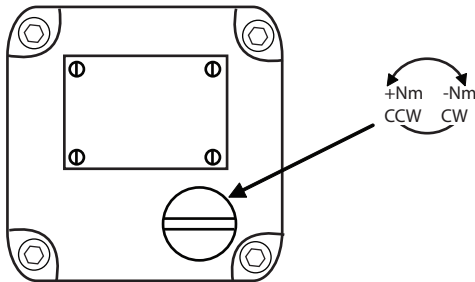
Pour garantir la sécurité et le bon fonctionnement de la visseuse, ajustez correctement le couple de serrage en fonction du joint de la vis. Vérifiez les spécifications de couple du joint concerné.

La pression d'air fournie par le FRL est réglée conformément à la pression à vide, inscrite sur le certificat de calibration (gachette actionnée à fond et outil tournant librement à pleine vitesse durant plusieurs secondes) typiquement 6.0 - 6.3 bar.

Ajuster le réglage de couple au moyen de la clé de réglage. Le couple augmente quand la vis est tournée dans le sens antihoraire.

Sélecteur de couple simple

Ajuster le réglage de couple au moyen de la clé de réglage. Le couple augmente quand la vis est tournée dans le sens antihoraire. Après réglage, effectuer plusieurs serrages sur le joint concerné et contrôler le couple obtenu.

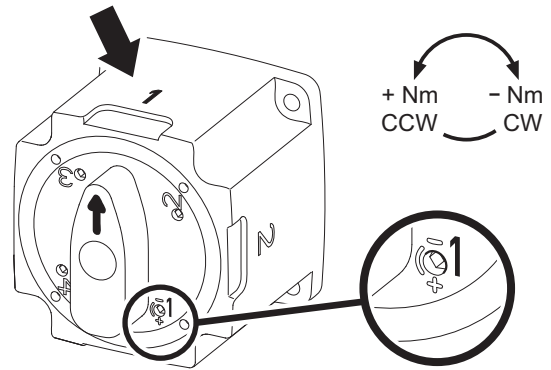


cs000850

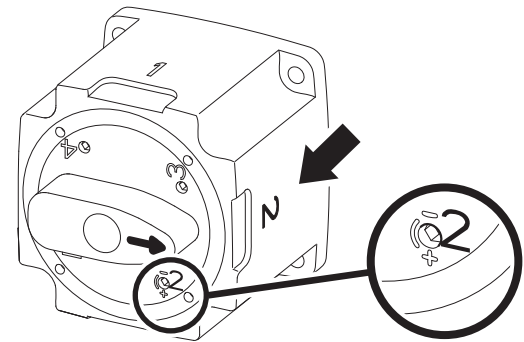
ⓘ Si la coupure se produit lorsque l'outil tourne vite et que cela provoque une forte dispersion des résultats, il est recommandé de réduire la pression en air comprimé.

Sélecteur de couple à 4 positions

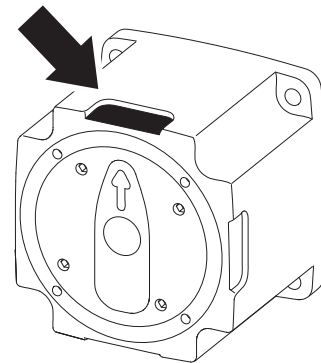
Pour régler le seuil de couple 1, tourner le sélecteur jusqu'à la position 1. Ajuster le couple en tournant la vis de réglage 1. Répérer sur le sélecteur comment tourner la vis de réglage pour diminuer/augmenter le couple. Pour régler le seuil de couple 2, tourner le sélecteur jusqu'à la position 2. Ajuster le couple en tournant la vis de réglage 2.



cs000800



cs001040

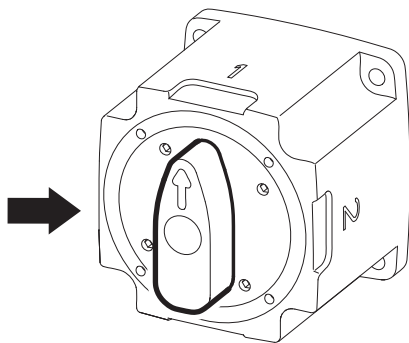
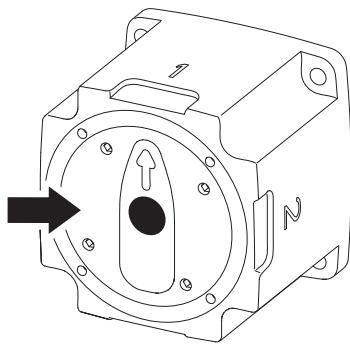


cs001050

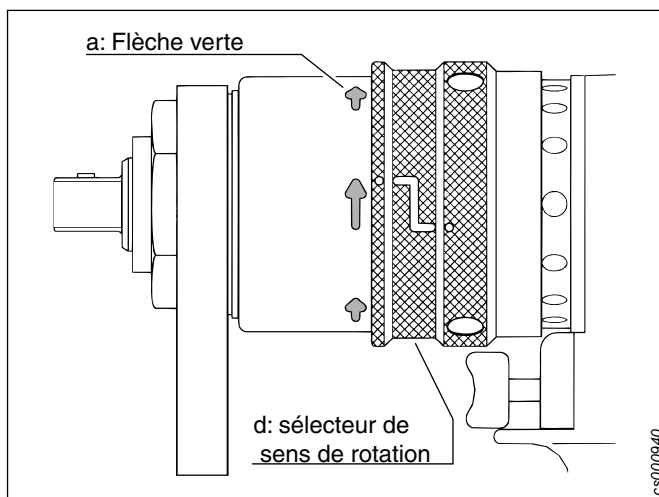
Placer dans chacune des 4 fenêtres une étiquette pour vous rappeler le couple précédemment réglé.

Instructions d'utilisation Sélection du couple

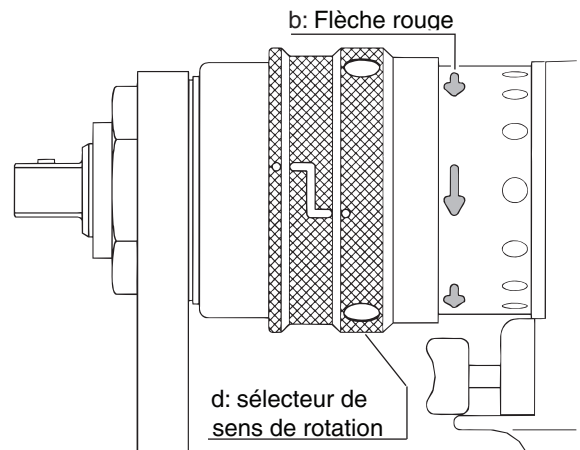
Appuyer sur le bouton noir. Tourner le sélecteur jusqu'à la position désirée. Enfoncer le sélecteur.



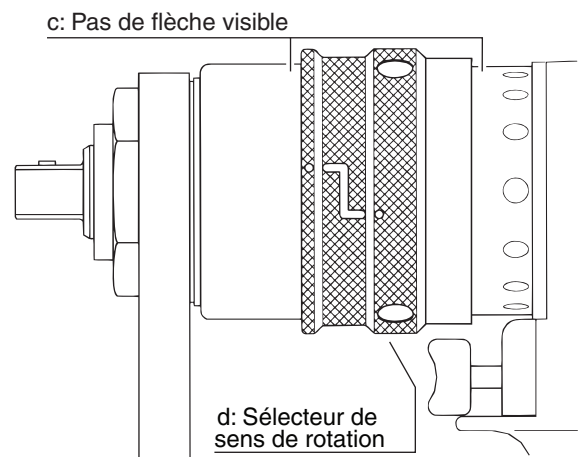
Position de la bague d'inversion du sens de rotation - rotation en sens horaire



Position de la bague d'inversion du sens de rotation - Position d'inversion du sens de rotation



Position de la bague d'inversion du sens de rotation - Position de déverrouillage de l'engrenage



Instructions relatives à l'inversion du sens de rotation

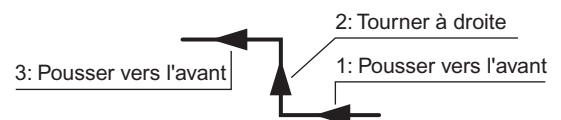
Comme il n'y a pas de retour automatique du sélecteur de sens de rotation vers une position prédéterminée, vérifier toujours avant de lancer l'outil que le sélecteur est correctement positionné dans le sens horaire ou anti-horaire et que les flèches associées sont clairement visibles.

ATTENTION



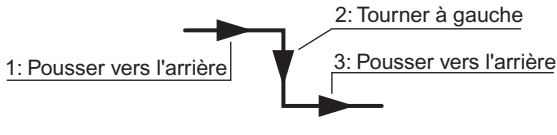
N'inversez jamais le sens de rotation pendant que l'outil est en service. Ne lancer jamais l'outil lorsque le sélecteur de sens de rotation est en position débrayée.

Saisissez la bague d'inversion du sens de rotation et déplacez – la vers l'avant (1), vers la droite (2), puis vers l'avant (3), comme illustré à la figure ci-dessous.



Les flèches rouges indiquent le sens de rotation de l'outil, c'est-à-dire dans le sens inverse des aiguilles d'une montre au démarrage.

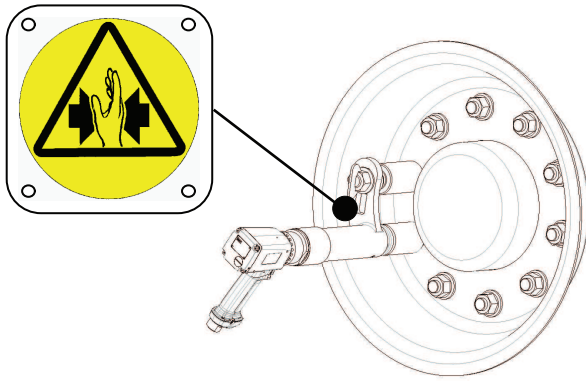
Pour rétablir le sens de rotation horaire de l'outil, tirez la bague vers l'arrière (1), vers la gauche (2), puis à nouveau vers l'arrière (3), comme illustré à la figure ci-dessous.



Les flèches vertes indiquent le sens de rotation de l'outil. Dans les 2 positions il n'est pas nécessaire de tenir la bague.

Mise en place de l'outil avec tube

Ajuster la position du tube, conformément à la distance entre 2 écrous de la jante. Vérifier que le tube est fermement serré sur le bras de réaction. Positionner le bras de réaction avant d'actionner la visseuse. Le bras de réaction doit être positionné de manière à tourner autour du moyeu central.



Maintenance

Pour obtenir un rendement maximum

Une lubrification régulière est indispensable pour assurer des performances optimales et un fonctionnement sans problème.

Moteur: lubrification à l'huile, injectée goutte à goutte dans l'air comprimé ou directement dans l'entrée d'air.

Gâchette, trains épicycloïdaux, roulements à aiguilles et à billes: lubrification à la graisse à chaque révision normale de l'outil.

Renvoi d'angle et embrayage: lubrification à la graisse contenant du bisulfure de molybdène, telle que Molykote BR2 ou autres marques équivalentes.

Utilisez des lubrifiants de première qualité. Le tableau contient des exemples de lubrifiants recommandés.

Protection contre la rouille et nettoyage interne

L'eau de l'air comprimé, les poussières et autres particules dues à l'usure peuvent entraîner la formation de corrosion et colmater les palettes, les soupapes, etc. Nous vous conseillons d'installer un filtre à air à proximité de l'outil (voir "Qualité de l'air").

Instructions de service

Nous vous conseillons de procéder régulièrement à la révision et l'entretien préventif de l'outil, notamment une fois par an ou après 250.000 serrages maximum, selon l'échéance la plus proche. Des révisions plus fréquentes peuvent s'avérer nécessaires, quand l'outil est utilisé avec un couple élevé ou que les durées de serrage

sont importantes. Si l'outil ne fonctionne pas correctement, il doit être immédiatement retiré du service et inspecté.

Le filtre de l'admission d'air et le silencieux doivent être nettoyés fréquemment ou remplacés afin d'éviter tout colmatage susceptible de diminuer les capacités de l'outil.

Lors de chaque révision, nettoyez convenablement toutes les pièces et remplacez celles qui sont usées ou endommagées (notamment les joints toriques et les palettes).

Démontage / montage

Il est important de serrer correctement les connexions filetées des outils, conformément aux spécifications mentionnées dans les vues éclatées.

ⓘ Avant tout raccordement, appliquer de la graisse sur les filetages.

Pendant l'assemblage: graisser tous les joints toriques.

Nettoyage

Nettoyez complètement toutes les pièces avec du White spirit ou autre agent de nettoyage similaire.

Pour éviter tout colmatage ou toute diminution de puissance, vous devez nettoyer le filtre (le cas échéant) et le filtre d'échappement entre les entretiens.

Inspection

Après le nettoyage, vérifiez toutes les pièces. Remplacez toutes les pièces endommagées ou usées.

Lubrification

Lubrifiez en particulier les engrenages, la soupape et l'embrayage avec de la graisse contenant du bisulfite de molybdène (Molykote BR2 Plus, par exemple). Consultez les figures et les vues éclatées dans les instructions de service.

Guide de sélection des graisses: Boulonneuse

Marque	Paliers (tout usage)	Élément de roue libre (roues d'engrenage + couronne dentée)	Roue libre
BP	Energrease LS-EP2		Energrease LS-EP2
Castrol	Spherol EP L2		
Esso	Beacon EP2		Beacon EP2
Q8	Rembrandt EP2		Rembrandt EP2
Mobil	Mobilegrease XHP 222		
Shell	Alvania EP2		Alvania EP2
Texaco	Multifak EP2		
Molykote			
Lubricating		Suntemp LE 9102	
STP		Oil treatment	

Marque	Engrenages	Lubrification d'air
Bp		Energol E46
Castro		
Esso		AroxEP46
Q8		Chopin 46
Mobil		Almo oil 525
Shell		Torcula 32
Texaco		Aries 32
Molycote	BR2 Plus	

Consignes de sécurité

Attention

Familiarisez-vous avec les instructions d'emploi avant de mettre l'outil en service.

Cet outil et ses accessoires sont strictement réservés aux utilisations prévues par son fabricant.

Toute réglementation de sécurité locale concernant l'installation, le fonctionnement et l'entretien doit toujours être respectée.

Confiez l'installation et l'entretien à du personnel qualifié uniquement.

Avant de procéder à un réglage quelconque, notamment un changement de douille, assurez-vous que la conduite d'air comprimé est débranchée.

Vérifiez le sens de rotation avant d'utiliser la machine.

Les boulonneuses avec toc de réaction demandent une attention particulière de l'opérateur pour éviter toute blessure engendrée par un pincement. Avant toute utilisation, l'opérateur devra connaître le fonctionnement de l'outil dans toutes les conditions de travail possibles et se sera entraîné à son maniement. Il devra également veiller à ce que l'outil ne soit manipulé par aucune personne qui n'a pas reçu la formation requise. Reportez-vous à la section intitulée "Toc de réaction".

L'outil doit être utilisé exclusivement avec le toc de réaction correspondant, qui doit être adapté à l'assemblage à effectuer. Reportez-vous également aux instructions de la section "Toc de réaction".

Ne posez jamais la main sur le toc de réaction ou à proximité de celui-ci pendant l'utilisation de l'outil.

Vérifiez si la douille impact est correctement fixée. Remplacez la goupille de rétention ou de verrouillage s'il y a lieu. Remplacez également les douilles usées.

Maintenez les mains, les cheveux longs ou tout autre objet à l'écart de la broche rotative.

Si vous utilisez un anneau de suspension, assurez-vous qu'il est en bon état et qu'il est correctement serré.

GARANTIE CP

- 1) Ce produit CP est garanti contre les vices de main d'œuvre ou de fabrication, pendant une période maximum de 12 mois à compter de la date d'achat auprès de CP ou de ses agents, dans la mesure où son usage est limité à une seule équipe de travail pendant cette période. Si le taux d'utilisation excède celui d'une seule équipe de travail, la période de garantie sera réduite proportionnellement.
- 2) Si, pendant la période de garantie, le produit semble présenter des vices de main d'œuvre ou de fabrication, il doit être renvoyé à sa discrétion, organisera la réparation ou le remplacement gratuit des articles jugés défectueux pour cause de vice de main d'œuvre ou de fabrication.
- 3) Cette garantie sera annulée s'il y a eu abus, mauvaise utilisation ou modification des produits, ou s'il ont été réparés en utilisant des pièces de rechange autres que celles prescrites par CP ou par une personne autre que CP ou l'un de ses agents agréés.
- 4) Au cas où CP encourait des dépenses pour rectifier un défaut résultant d'abus, de mauvaise utilisation, de détérioration accidentelle ou de modification non autorisée, ces dépenses seront à la charge totale du client.
- 5) CP n'accepte aucune réclamation en termes de main d'œuvre ou d'autres dépenses effectuées sur les produits défectueux.
- 6) Toutes les détériorations directes, accidentelles ou indirectes, quelles qu'elles soient, provenant d'un défaut quelconque, sont expressément exclues.
- 7) Cette garantie remplace toutes les autres garanties ou conditions, expresses ou implicites, quant à la qualité, la commercialisation ou l'adéquation du produit pour un objectif particulier.
- 8) Personne, que ce soit un agent, un serviteur ou un employé de CP, n'est autorisé à ajouter ou modifier d'une façon quel-conque les termes de cette garantie limitée.

Bedienungsanleitung

Diese Maschine ist ein Schraubwerkzeug. Geeignet für Holz, Metall und Plastik. Die Maschine inkl. Befestigungen und Zubehörteile darf nur für den vorgesehenen Zweck verwendet werden.

Leistungsdaten

Drehmomentbereich	300-900 Nm
Leerlaufdrehzahl	100 r/mn (tr/mn)
Arbeitsdruck	3-7 bar
Luftverbrauch	19 l/s (40CFM)
Gewicht:	
CP7600 C	6.8 kg
CP7600 C-R	7.4 kg
CP7600 C-4P	7.1 kg
CP7600 C-R4P	7.7 kg

Schall- und Vibrationspegel

Geräuschemissionswerte entsprechen ISO15744 dB(A)

Gemessener Schalldruckpegel	79
Festgelegter Schalleistungspegel	
Streuweite je nach Meßverfahren und Produktion	3

Vibrationswerte entsprechen EN/ISO 8662-7 m/s²

Gemessener Vibrationspegel	<2.5
Streuweite je nach Meßverfahren und Produktion	

Statement zur Geräusch & Vibrations-Deklaration

Diese angegebenen Werte wurden während eines Laborversuchs gemäß der vorgegebenen Normen durchgeführt und sind zum Vergleich mit angegebenen Werten anderer Werkzeuge geeignet, welche gemäß derselben Normen geprüft wurden. Diese angegebenen Werte reichen für eine Verwendung in der Risikobewertung nicht aus, wobei Werte gemessen an den verschiedenen Arbeitsplätzen höher liegen können. Die tatsächlichen Expositionswerte und das Gefährdungsrisiko, welchen die einzelne Bedienperson ausgesetzt ist, sind einmalig und hängen von der Arbeitsweise der Bedienperson, dem Werkstück und der Auslegung des Arbeitsplatzes ab, sowie von der Expositionsdauer und der physischen Verfassung der Bedienperson.

Wir, CP, übernehmen keine Haftung für jegliche durch die Anwendung der angegebenen Werte entstehenden Folgen, anstelle von Werten, welche die tatsächliche Exposition reflektieren, in einer individuellen Risikobewertung bei einer Arbeitsplatzsituation, über welche wir keine Kontrolle haben. Dieses Werkzeug kann das Hand-Arm-Vibrations-Syndrom auslösen, sofern sein Gebrauch nicht in ausreichendem Maße geregelt wird. Ein EU-Leitfaden zur Regelung von Hand-Arm Vibrationen steht im Internet zur Verfügung: <http://www.humanvibration.com/EU/VIBGUIDE.htm> Wir empfehlen ein Programm zur Gesundheitsüberwachung, durch welches frühe Symptome erkannt werden können, welche auf die Vibrationsexposition zurückgeführt werden könnten, so dass die Abläufe der Maßnahmen daraufhin so geändert werden können, dass zukünftige Beeinträchtigungen vermieden werden.

Part no	8940166747
Issue no	1
Series no	1
Date	2010-01
Page	18



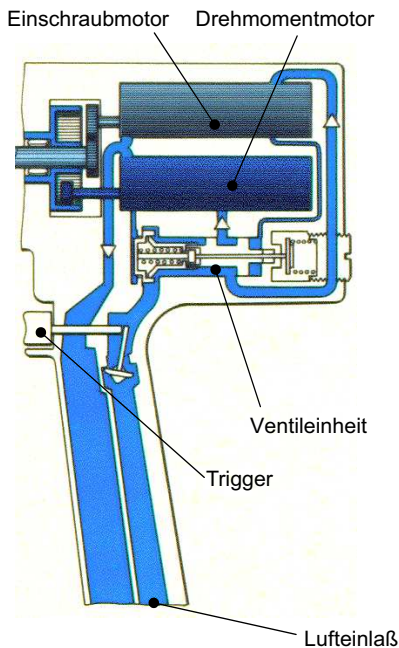
Copyright

© Copyright 2008, CP. Alle Rechte vorbehalten. Unbefugtes Verwenden oder Kopieren des Inhalts bzw. von Teilen des Inhalts ist verboten. Dies gilt insbesondere für Warenzeichen, Modellbezeichnungen, Teilenummern und Zeichnungen. Nur die zugelassenen Ersatzteile verwenden. Schäden oder Funktionsstörungen, die durch die Verwendung nicht zugelassener Ersatzteile entstehen, sind von der Garantieleistung und der Produkthaftung ausgeschlossen.

Funktionsweise

Das Ventil im CP7600 hat zwei Hauptfunktionen:

Den Luftstrom zu dem entsprechenden Pneumatikmotor zu leiten und die Luftzufuhr abzuschalten.



cs000870

Einschrauben

Bei Betätigung des Triggers wird der Luftstrom durch die Valve unit (Ventil) zum Rundown Motor (Einschraubmotor) geleitet. Dieser Motor ist für das Einschrauben, bei einem geringen Drehmoment (kleine Getriebeübersetzung) mit hoher Drehzahl, verantwortlich.

Umschalten des Motors

Wenn sich das Drehmoment des CP7600 aufbaut, wird der Motor langsamer und der Luftdruck im Motor steigt. Durch diesen höheren Luftdruck schaltet das Valve in eine andere Position.

Endanzug

Der Luftstrom fließt nun durch den Tightening Motor. Dieser Motor arbeitet mit einer größeren Getriebeübersetzung und somit geringerer Drehzahl.

Abschalten

Wenn das Drehmoment stetig ansteigt, wird der Motor langsamer und der Luftdruck steigt wieder. Wenn der Luftdruck nun exakt gegen die eingestellte Federkraft arbeitet, schaltet ein Kolben die Luftzufuhr ab.

Einstellung des Abschaltventils

Die Federkraft wird eingestellt, wenn das Werkzeug eingemessen wird. Der erforderliche Luftdruck beträgt 6,3 bar um das spezifische Drehmoment einzustellen.

WARNUNG



Das verändern des Betriebsdrucks hat einen direkten Einfluss auf das Verhalten des Abschaltventils, wenn der Luftdruck höher ist wird das Ventil früher abschalten und das Drehmoment wird niedriger als erwartet sein. Es ist sehr wichtig den CP7600 mit dem Betriebsdruck zu betreiben, wie auf dem Messprotokoll bzw. Bedienungsanleitung vermerkt ist.

Installation

Luftqualität

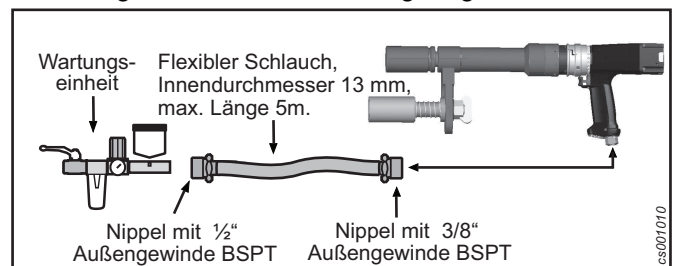
- Für eine optimale Leistung und maximale Maschinenlebensdauer empfehlen wir den Einsatz von Druckluft mit einem Taupunkt zwischen 2 und 10 °C. Die Installation eines Kühltrockners wird empfohlen.
- Verwenden Sie einen separaten Luftfilter. Dieser sorgt für die Abscheidung von Feststoffteilchen mit einer Größe über 30 Mikrometer sowie mehr als 90 % des flüssigen Wassers. Der Filter ist so nah wie möglich an der Maschine und vor weiteren Luftaufbereitungseinheiten zu installieren. Blasen Sie den Schlauch vor dem Anschluss aus.
- Die Druckluft muss eine geringe Ölmenge enthalten. Wir empfehlen nachdrücklich die Installation eines Nebelölers. Dieser wird in der Regel auf 3-4 Tropfen (50 mm³) je Kubikmeter Luftverbrauch für Werkzeuge mit langen Arbeitszyklen eingestellt. Alternativ kann ein Einspritzöler für Werkzeuge mit kurzen Arbeitszyklen verwendet werden.
- Bei schmierfreien Werkzeugen, die auf Kundenwunsch bereitgestellt werden, ist es nicht nachteilig, wenn die Druckluft eine geringe Ölmenge enthält, die von einem Öler abgegeben wird. Eine Ausnahme stellen Turbinenwerkzeuge dar, für die ein ölfreier Betrieb gewährleistet werden muss. (siehe Luftleitungszubehör in unserem Hauptkatalog).

Druckluftanschluß

- Das Werkzeug ist für einen Betriebsdruck (e) von 3-7 bar = 300-700 kPa = 6-7 kp/cm² ausgelegt.
- Den Druckluftschlauch vor dem Anschließen sorgfältig sauberblasen.

Installationsempfehlung

Um die optimalen Leistungsdaten der Maschine zu gewährleisten ist nachfolgender Installationsvorschlag dringend zu beachten.



cs001010



Bedienung

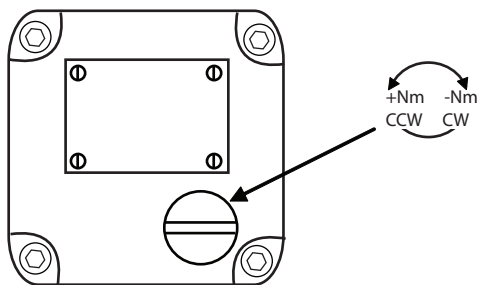
Anzugsdrehmoment

Für genauen und sicheren Betrieb muß das Anzugsdrehmoment des Schraubendrehers im Verhältnis zur Schraubverbindung genau eingestellt werden. Die Drehmomentdaten der aktuellen Verbindung überprüfen.

The air pressure supplied by the FRL unit is set according to the pressure written on the calibration certificate at free speed (trigger fully pressed and nutrunner running freely with no load during a couple of seconds) usually 6.0 - 6.3 bar.

Einfach Drehmomenteinstellung

Drehmomenteinstellung nur mit Einstellwerkzeug vornehmen. Das Drehmoment steigt, wenn die Stellschraube entgegen dem Uhrzeigersinn gedreht wird. Nach Einstellung Drehmoment auf entsprechendem Messmittel überprüfen.

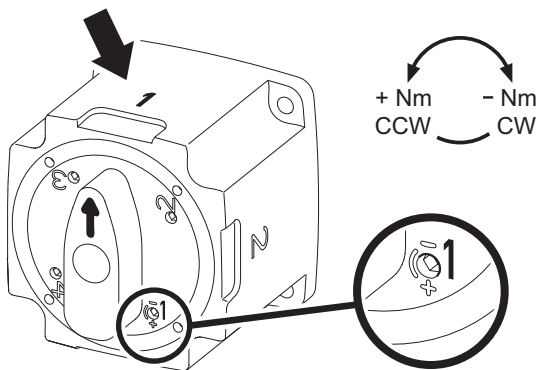


c000850

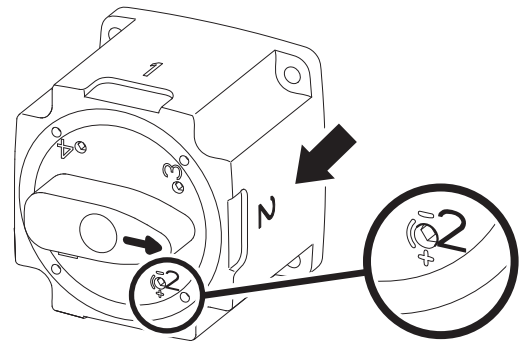
- ⓘ Wenn das Abschaltventil schon bei der Einschraubdrehzahl abschaltet, den Luftdruck reduzieren.

4-Fach Drehmomenteinstellung

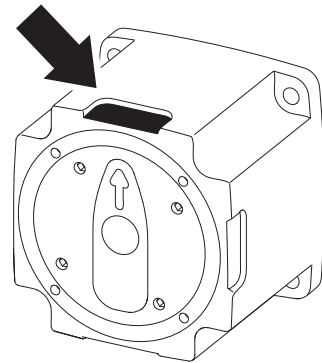
Um das Drehmoment 1 einzustellen, Drehknopf auf Referenzmarke stellen. Stellschraube 1 entsprechend Drehrichtung verstellen. Einstellen Drehmoment 2 Drehknopf auf Referenzmarke stellen. Stellschraube 2 entsprechend Drehrichtung verstellen. usw.



cs000800



cs001040

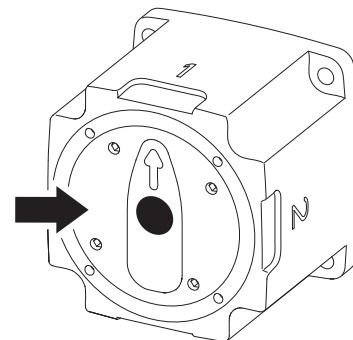


cs001050

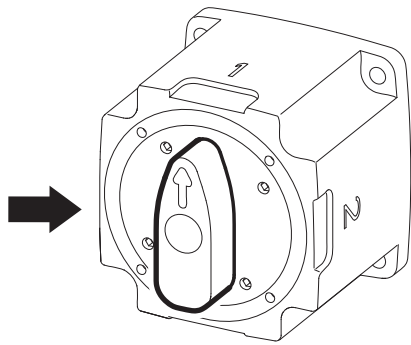
Beachte: Drehmomentangaben an den entsprechenden Feldern des Gehäuses zu vermerken.

Bedienungsanleitung und Drehmomentauswahl

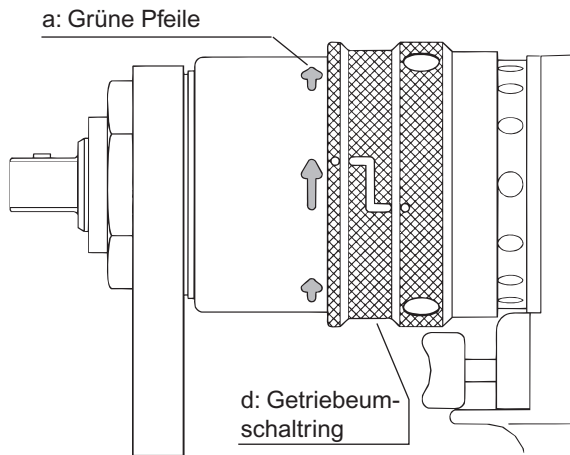
Drücke den schwarzen Knopf. Drehe den Drehkopf in die entsprechende Position. Drücke den schwarzen Knopf rein.



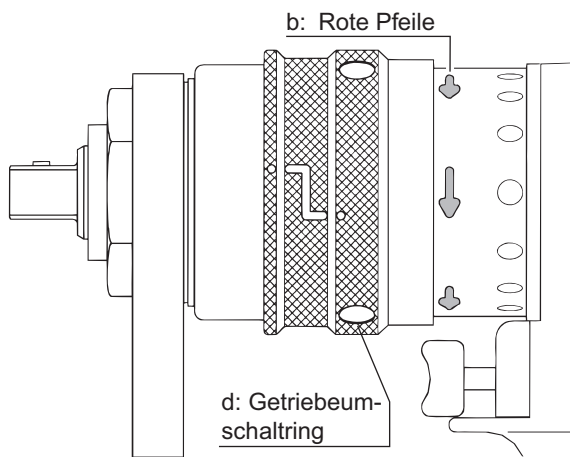
cs000810



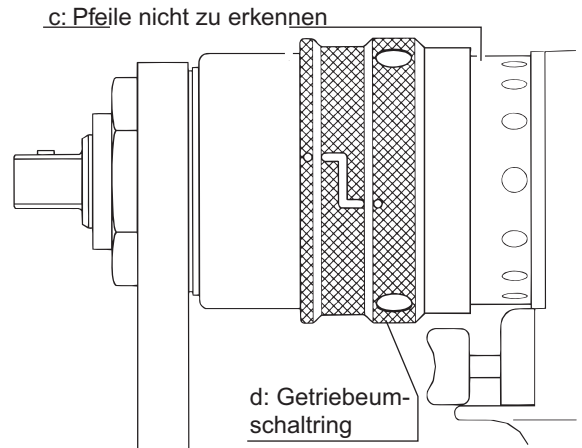
Stellung des Schaltrings - Festziehposition



Stellung des Schaltrings - Löseposition




Stellung des Schaltrings - Mittlere Position



Anweisungen für den Linkslauf

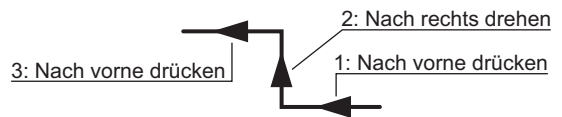
Wenn der Schaltring keine automatische Rückstellungspositionierung hat, immer die Schaltstellung kontrollieren bevor die Maschine gestartet wird. Die Rechts- oder Linkslauf Drehrichtungspfeile müssen zu sehen sein.

WARNUNG



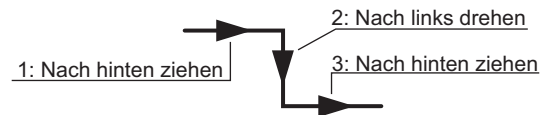
Nie die Drehrichtungsumkehr schalten, wenn die Maschine läuft.
 Nie die Maschine starten, wenn der Schaltring sich in Mittelstellung befindet.

Betätige den Stelling wie folgt: Nach vorne schieben - rechts drehen - nach vorne schieben. Siehe unten.



Die roten Pfeile zeigen die Drehrichtung an. Die Maschine läuft nach dem Starten linksrum.

Zurückstellen auf Rechtslauf: Ring zurückziehen – nach links drehen – zurückziehen. Siehe unten.



Die grünen Pfeile zeigen die Drehrichtung an. Die Maschine läuft nach dem Starten rechtsrum. Es ist nicht notwendig den Ring per Hand in Position zu halten.

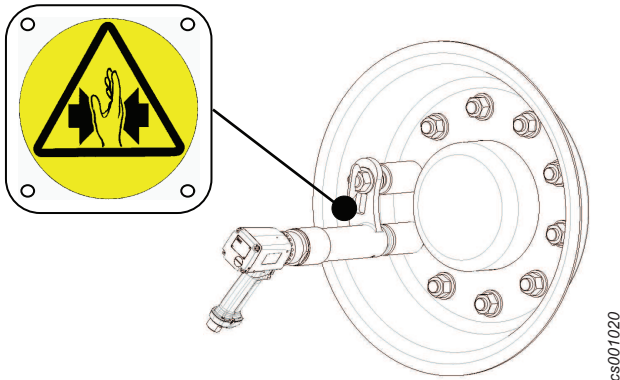
Verlängerter Reaktionsarm mit federgeführter Hülse

Der Abstand zwischen der Schraubstelle und dem Gegenhalterpunkt muss eingestellt werden. (Abstand Schraubnuss und Gegenhalterhülse)

Prüfe, ob die federgeführte Hülse richtig am Reaktionsarm montiert ist.

Vor dem Starten ist zu prüfen, ob der Reaktionsarm in der richtigen Position ist.

Der Reaktionsarm muss sich in der richtigen Position in der Felge befinden.



Wartung

Für höchste Leistung

Für beibehaltene Leistung und maximale Lebensdauer ist regelmäßige Schmierung unerlässlich. Der Motor ist mit Öl zu schmieren, die am Luftanschluß der Druckluft oder dem Werkzeug zugeführt wird.

Bei der regelmäßigen Wartung der Maschine sind die Anlage, die Planetengetriebe, Nadellager und Kugellager mit Fett zu schmieren.

Das Winkelgetriebe und die Kupplung müssen mit einem Molybdän-Disulfid-Fett geschmiert werden, z.B. Molykote BR2 Plus oder ein anderes, entsprechendes Fett.

Nur hochqualitative Schmiermittel verwenden. Die in der Tabelle angegebenen Öle und Fette sind Beispiele für Schmiermittel, die empfohlen werden.

Rostschutz und Reinigung des Geräteinnenteils

Wasser in der Druckluft, Staub und Abnutzungspartikel verursachen Rost und hohen Verschleiß von Lamellen, Ventilen usw. Ein Luftfilter sollte nahe beim Gerät installiert werden (s. "Luftqualität").

Serviceanleitung

Überholung und vorbeugende Wartung werden in regelmäßigen Abständen einmal jährlich oder nach maximal 250.000 Arbeitszyklen empfohlen, je nach dem, was früher eintritt. Häufigere Überholung ist erforderlich, sollte es zwecks Wartung außer Betrieb genommen werden.

Das Sieb am Lufteinlaß und der Abluftfilter sollten häufig gereinigt werden, da sie sich sonst zusetzen, wodurch die Leistungsfähigkeit des Gerätes herabgesetzt wird.

Bei den Überholungen müssen alle Teile sorgfältig gereinigt und defekte oder verschlissene Teile (z.B. O-Ringe, Lamellen) müssen ausgetauscht werden. Alle O-Ringe müssen vor der Montage geschmiert werden. Besonders wichtig sind die O-Ringe in der Impulseinheit.

Auseinandernehmen / Zusammenbau

Es ist wichtig, dass die Gewindeanschlüsse der Maschine korrekt festgezogen sind, d.h. in Übereinstimmung mit den Daten in den Explosionszeichnungen.

- ⓘ Vor dem Zusammenbau die Gewinde mit Fett schmieren. Beim Zusammenbau: Alle O-Ringe mit Fett schmieren.

Reinigung

Alle Teile sorgfältig in Lackbenzin oder einem ähnlichen Reinigungsmittel reinigen.

Um Verstopfung und Leistungsverringerung zu vermeiden, kann es erforderlich sein, das Sieb (falls verwendet) und den Auslaßfilter zwischen den Überholungen zu reinigen.

Kontrolle

Nach der Reinigung alle Teile kontrollieren. Beschädigte oder verschlissene Teile müssen ausgetauscht werden.

Schmierung

Besonders die Getriebe, Ventile und die Kupplung mit Schmiermittel schmieren, das Molybdändisulfid enthält (z.B. Molykote BR2 Plus). Siehe Explosionszeichnungen und Abbildungen in der Wartungsanweisung.

Schmiermittelempfehlungen Schrauber

Marke	Lager (universal)	Freilaufeinheit (Zahnräder +Zahnkranz)	Freilaufeinheit
BP	Energrease LS-EP2		Energrease LS-EP2
Castrol	Spheerol EP L2		
Esso	Beacon EP2		Beacon EP2
Q8	Rembrandt EP2		Rembrandt EP2
Mobil	Mobilegrease XHP 222		
Shell	Alvania EP2		Alvania EP2
Texaco	Multifak EP2		
Molycote			
Lubricating		Suntemp LE 9102	
STP		Oil treatment	

Marke	Getriebe	Luft-Schmierung
Bp		Energol E46
Castro		
Esso		AroxEP46
Q8		Chopin 46
Mobil		Almo oil 525
Shell		Torcula 32
Texaco		Aries 32
Molycote	BR2 Plus	

Part no	8940166747
Issue no	1
Series no	1
Date	2010-01
Page	22

DE

Sicherheitshinweise

Warnung

Lesen Sie die Bedienungsanleitung vor der Benutzung der Maschine aufmerksam durch.

Die Maschine, inkl. Befestigungen und Zubehörteile, darf nur für den vorgesehenen Zweck verwendet werden.

Alle örtlichen Vorschriften, die Installation, Bedienung und Wartung betreffen, müssen immer beachtet werden.

Installation und Wartung darf nur von erfahrenem Personal ausgeführt werden.

Bevor Einstellungen vorgenommen werden (z.B. Auswechseln der Steckschlüssel), ist die Druckluftzufuhr zur Maschine abzuschalten.

Kontrollieren Sie die Rotationsrichtung, bevor Sie die Maschine benutzen.

Bediener eines Schraubers mit Gegenhalter sollten besonders vorsichtig sein, um Klemmverletzungen zu vermeiden. Aus Sicherheitsgründen dürfen nur erfahrene und umsichtige Bediener mit der Maschine arbeiten. Unerfahrene Personen dürfen die Maschine nicht bedienen. Siehe auch unter der Rubrik "Gegenhalter".

Die Maschine darf nur zusammen mit dem dazugehörigen Gegenhalter benutzt werden, der an die entsprechende Schraubverbindung anzupassen ist. Siehe Anleitungen unter der Rubrik "Gegenhalter".

Niemals die Hand auf den Gegenhalter legen oder in seiner Nähe haben, wenn das Werkzeug benutzt wird.


Überprüfen, ob der Steckschlüssel gut befestigt ist - wenn erforderlich, den Halte- oder Sperrstift auswechseln. Auch alle verschlissenen Steckschlüssel auswechseln.

Hände, langes Haar oder andere Gegenstände vom rotierenden Steckschlüssel fernhalten.

Wenn ein Aufhängebügel verwendet wird, prüfen, ob dieser einwandfrei und richtig befestigt ist.

CP GARANTIE

- 1) Dieses CP-Produkt trägt eine Garantie von maximal 12 Monaten ab Datum des Kaufes von CP oder seinen Vertretern für Mängel, die auf Material- oder Herstellungsfehlern beruhen, unter der Voraussetzung, dass der Einsatz dieses Produktes über diesen ganzen Zeitraum hindurch auf einen einfachen Schichtbetrieb begrenzt ist. Bei Übersteigerung des Einsatzzeitraumes über einen einfachen Schichtbetreiber wird die Garantiezeit anteilig verkürzt.
- 2) Bei anscheinend auf Material- oder Herstellungsfehlern beruhenden Mängeln am Produkt innerhalb der Garantiezeit sollte das Produkt zusammen mit einer kurzen Beschreibung des angeblichen Fehlers an CP oder seine Vertreter zurückgeschickt werden. CP wird die betroffenen Teile nach eigenem Ermessen entweder kostenlos reparieren lassen oder, falls sie aufgrund von Mängeln, die auf Material- oder Herstellungsfehlern beruhen, für fehlerhaft erachtet werden, kostenlos ersetzen.
- 3) Diese Garantie verfällt für Produkte, die missbraucht, falsch gebraucht oder verändert wurden, oder die mit anderen als CP-Originalersatzteilen oder von jemand anderem als CP oder seinen vertraglichen Kundendienstvertretern repariert worden sind.
- 4) Sollten CP Kosten aufgrund der Berichtigung eines Mangels entstehen, der durch Missbrauch, falschen Gebrauch, unfallbedingte Schäden oder unbefugte Veränderungen verursacht worden ist, wird CP die Zahlung der gesamten entstandenen Kosten einfordern.
- 5) CP nimmt keine Forderungen für Arbeitskosten oder andere Ausgaben für fehlerhafte Produkte an.
- 6) Alle direkt oder indirekt entstandenen oder Folgeschäden welcher Art auch immer, die Folge eines Mangels sind, sind ausdrücklich ausgeschlossen.
- 7) Diese Garantie wird anstelle aller anderen Garantien oder Bedingungen, ausgedrückt oder impliziert, bezüglich der Qualität, handelsüblichen Brauchbarkeit oder Eignung für jeden bestimmten Zweck ausgegeben.
- 8) Niemand, ob Vertreter, Gehilfe oder Mitarbeiter von CP, ist befugt, die Bedingungen dieser beschränkten Garantie wie auch immer zu erweitern oder zu verändern.

Part no	8940166747	
Issue no	1	
Series no	1	
Date	2010-01	
Page	24	

MANUAL DE INSTRUCCIONES

Este producto ha sido diseñado para la instalación y la retirada de elementos de rosca en madera, metal y plásticos. No puede ser utilizado para otra finalidad. Sólo para uso profesional.

Características principales

Rango de apriete	300-900 Nm
Velocidad libre	100 r/mn (tr/mn)
Presión de trabajo	3-7 bar
Consumo de aire	19 l/s (40CFM)
Peso:	
CP7600 C	6.8 kg
CP7600 C-R	7.4 kg
CP7600 C-4P	7.1 kg
CP7600 C-R4P	7.7 kg

Declaración de emisión de ruidos y vibraciones

Ruidos medidos según ISO15744	dB(A)
Nivel de presión sonora medido	79
Nivel de energía sonora medido	
Distribución en método y producción	3

Vibraciones medidas según EN/ISO 8662-7	m/s ²
Valor de vibraciones medido	<2.5
Distribución en método y producción	

Declaración sobre ruido y vibraciones

Los valores declarados han sido obtenidos en ensayos de laboratorio realizados según la normativa indicada y pueden utilizarse para compararlos con los valores declarados para otras herramientas que hayan sido ensayadas siguiendo la misma normativa. Los valores declarados no se pueden utilizar para evaluación de riesgos y los valores obtenidos en cada lugar de trabajo podrían alcanzar cifras superiores. Los valores reales de exposición y de riesgo de daños para cada individuo dependen del sistema de trabajo del usuario, del diseño del puesto de trabajo y de la pieza, y también del tiempo de exposición y del estado físico del usuario.

Nosotros, CP, declinamos toda responsabilidad por las consecuencias que puedan derivar de la utilización de los valores declarados, en lugar de los valores que reflejen la exposición real, en una evaluación de riesgos para las personas en un entorno de trabajo concreto sobre el que no tenemos ningún control. Esta herramienta puede provocar síndrome de vibración si no se gestiona adecuadamente su utilización. Encontrará una guía de la UE respecto a la gestión de vibraciones transmitidas al sistema mano-brazo en la página <http://www.humanvibration.com/EU/VIBGUIDE.htm> Se recomienda mantener un programa de control sanitario de detección precoz de los síntomas relacionados con la exposición a vibraciones, con objeto de modificar los procedimientos de gestión y así evitar posibles discapacidades.

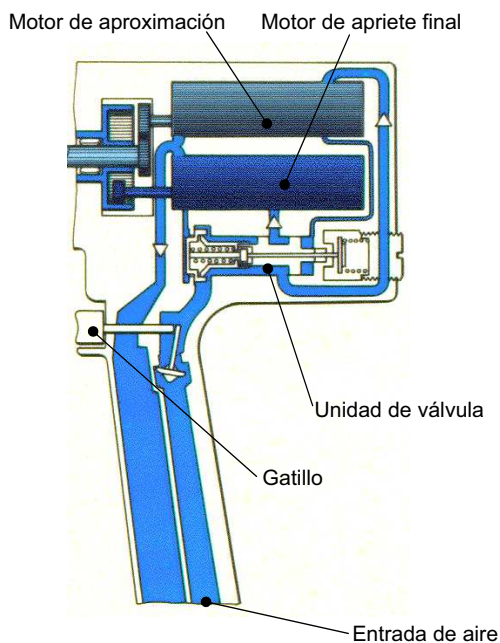
Copyright

© Copyright 2008, CP. Reservados todos los derechos. Está prohibido todo uso indebido o copia de este documento o de parte del mismo. Esto se refiere especialmente a marcas comerciales, denominaciones de modelos, números de piezas y dibujos. Utilice exclusivamente piezas de repuesto autorizadas. Cualquier daño o defecto de funcionamiento causados por el uso de piezas no autorizadas queda excluido de la garantía o responsabilidad del producto.

Principio de funcionamiento

En el interior de la CP7600, una unidad de válvula combina 2 funciones clave:

dirigir el aire a través de los dos motores neumáticos y cerrar el suministro de aire a la herramienta.



Aproximación

Al apretar el gatillo, el aire fluye a través de la unidad de la válvula, llevando el aire por el motor de aproximación que gira. Este motor se mueve en una marcha lenta generando alta velocidad a bajo par.

Cambio de motor

A medida que el resultado de carga de par aplicada en la CP7600 aumenta, el motor de aproximación va parando, provocando una mayor presión de aire dentro del motor. Bajo esta presión más alta, la válvula es empujada a otra posición.

Apriete final

El aire es llevado a través del motor de apriete. Este motor actúa a una marcha alta generando baja velocidad a alto par.

Cierre

A medida que la carga de par continua incrementándose, el motor de apriete va parando, provocando una mayor presión de aire dentro del motor. Cuando esta presión de aire sobrepasa la presión programada de un muelle, el pistón en la unidad de válvula es empujado, cerrando completamente la admisión de aire.

Ajuste del cierre

La presión del muelle es ajustada al calibrar la herramienta. Una presión de aire concreta (normalmente 6.3 bar/90 psi) lleva a un par determinado.

ATENCIÓN



Un cambio en la presión de aire afectará al comportamiento del mecanismo de cierre. Si la presión de aire real es mayor que la que ha sido calibrada, el mecanismo de cierre operará anticipadamente y el par será menor que el esperado. Es muy importante utilizar la CP7600 a la presión de aire descrita en el certificado de calibración para alcanzar el par correcto.

Instalación

Calidad del aire

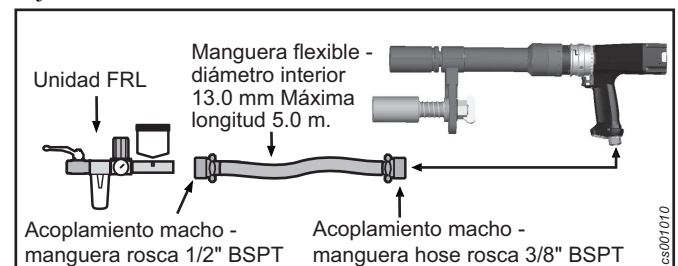
- Para conseguir un rendimiento óptimo y alargar al máximo la vida útil de la máquina, recomendamos utilizar aire comprimido con un punto de rocío entre +2°C y +10°C. Se recomienda la instalación de un secador de aire, tipo refrigeración.
- Instale un filtro de aire independiente que elimine partículas sólidas mayores de 30 micras y más del 90% de agua líquida, lo más cerca posible de la máquina y antes de cualquier unidad de tratamiento de aire. Antes de conectar la manguera, límpiela con aire a presión.
- El aire comprimido debe contener una pequeña cantidad de aceite. Recomendamos encarecidamente la instalación de un engrasador de niebla de aceite, ajustado con una frecuencia de 3-4 gotas (50mm³)/m³ de consumo de aire para herramientas que funcionen con ciclos largos, o bien, un engrasador de un punto para herramientas que funcionen con ciclos cortos.
- En relación a la lubricación de herramientas libres, a discreción del cliente, no presenta inconvenientes si el aire comprimido contiene una pequeña cantidad de aceite suministrada desde un engrasador. Con la excepción de las herramientas de turbina, que deben mantenerse libres de aceite. (consulte la sección de Accesorios para líneas de aire de nuestro catálogo principal).

Conexión de aire comprimido

- La máquina está diseñada para una presión de trabajo (e) de 3-7 bares = 300-700 kPa = 6-7 kp/cm² = 44-102 lb/pulg²(g).
- Soplar aire por la manguera antes de conectarla.

Instalación recomendada

Para el aseguramiento del correcto funcionamiento de la máquina, recomendamos encarecidamente el seguimiento de la propuesta adjunta de instalación desde la línea de aire hasta la herramienta.



Part no	8940166747
Issue no	1
Series no	1
Date	2010-01
Page	26

ES

Manejo

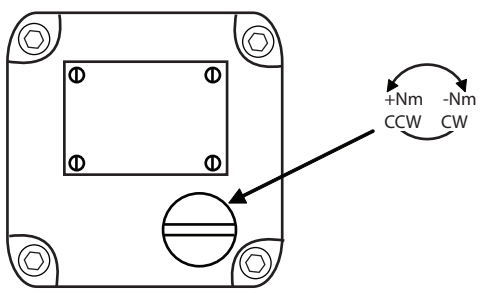
Par de apriete

Para un funcionamiento preciso y seguro, ajuste el par de apriete del desatornillador correctamente en relación con la junta del tornillo. Compruebe la especificación del par de la junta utilizada.

La presión de aire suministrada por la unidad del FRL está programada de acuerdo a la presión descrita en el certificado de calibración a velocidad libre (gatillo presionado a fondo y multiplicador girando libre sin carga durante un par de segundos) normalmente 6.0 - 6.3 bar.

Selector de par único

Ajuste el par concreto por medio de la llave de ajuste. El par aumenta moviendo el tornillo en sentido inverso a las agujas del reloj. Después del ajuste, compruebe el par de apriete aplicado a la junta en cuestión.

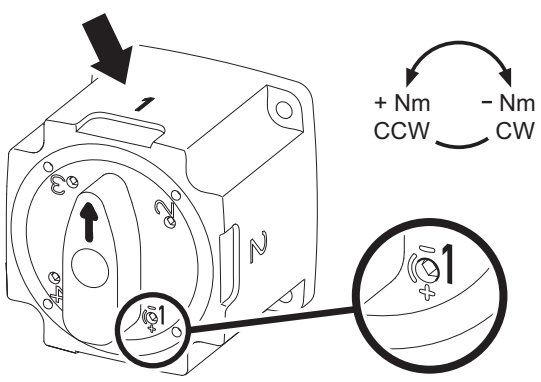


c000850

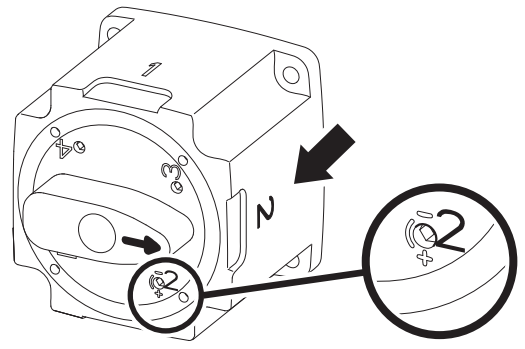
i Si el cierre se realiza a una velocidad alta de revoluciones, causando una alta dispersión de par, se recomienda reducir la presión de aire.

4- Selector de posición

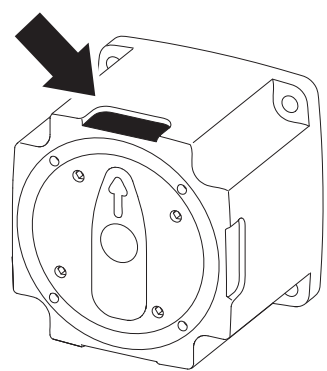
Para poner el Par 1, gire el selector rotatorio hasta la marca N° 1 en la carcasa. Introduzca el selector rotatorio en la posición 1. Mueva el tornillo de ajuste para incrementar/disminuir el par. Para poner el Par 2, gire el selector rotatorio a la marca N° 2 de la carcasa. Introduzca el selector rotatorio en la posición 2.



cs000800



cs001040

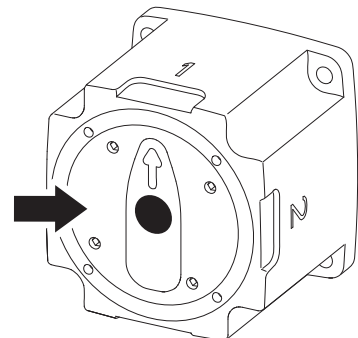


cs001050

Recuerde sus ajustes de par poniendo sus propias marcas en las cuatro áreas de la carcasa.

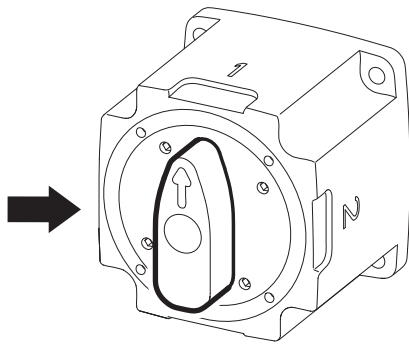
Instrucciones de manejo Selección del par de apriete

Apriete el botón negro. Mueva el selector rotatorio a la posición deseada. Apriete el selector rotatorio hacia adentro.



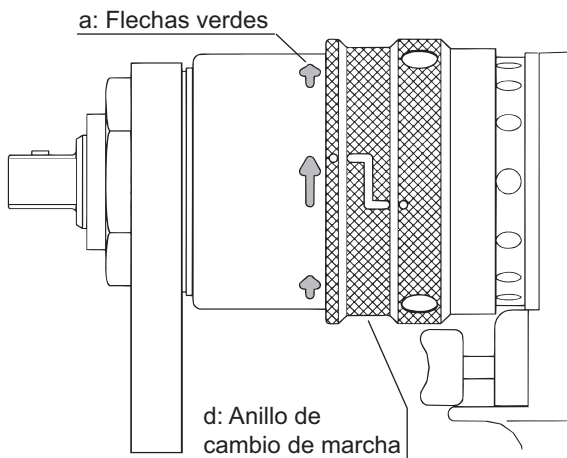
cs000810





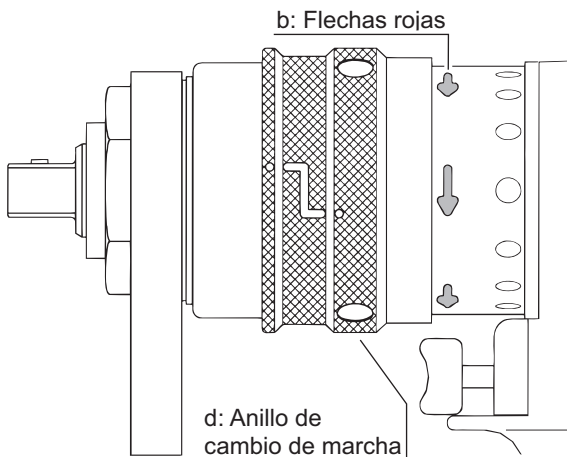
cs001060

Posición del anillo de cambio de marcha - posición de marcha en el sentido de las agujas del reloj



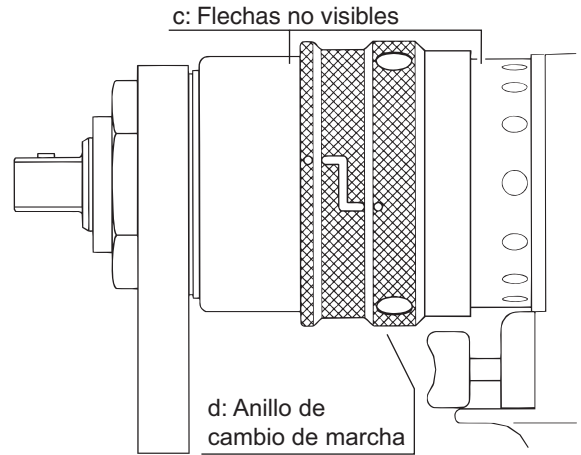
cs000940

Posición del anillo de cambio de marcha - posición de marcha en sentido inverso a las agujas del reloj



cs000950

Posición del anillo de cambio de marcha - posición de marcha media



cs000960

Instrucciones para marcha atrás

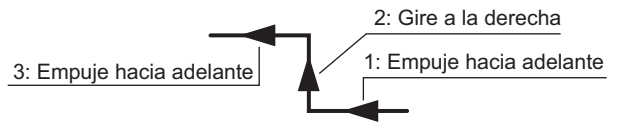
Como no existe una vuelta automática del cambio de marcha a una posición fija, compruebe siempre antes de comenzar que el cambio de marcha está en la posición de las agujas del reloj o en la posición contraria a las agujas del reloj.

ATENCIÓN



Nunca cambiar de marcha cuando la máquina esté funcionando.
 Nunca poner en marcha la máquina cuando el cambio de marcha esté en la posición media.

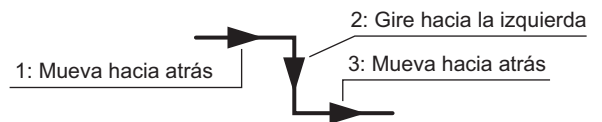
Coja el anillo de cambio de marcha con la mano y muévalo hacia adelante - derecha - adelante (véase siguiente figura):



cs000970

Las flechas rojas indican la dirección de giro. P.ej. la máquina funcionará en sentido contrario a las agujas del reloj cuando comience.

Cuando se vuelva a cambiar a la posición de las agujas del reloj, tire del anillo hacia atrás - izquierda - atrás (véase siguiente figura):



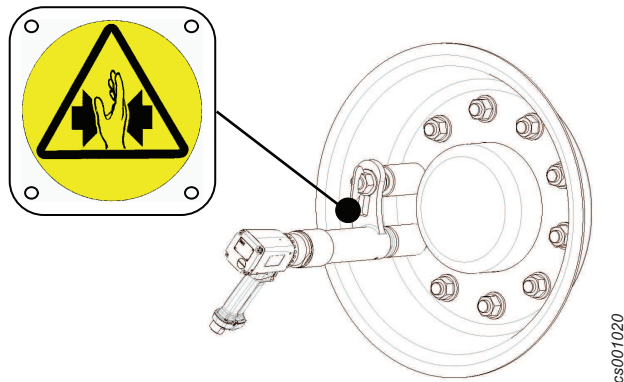
cs000980

Las flechas verdes indican la dirección de funcionamiento, p.ej. la máquina funcionará en el sentido de las agujas del reloj cuando comience. No es necesario mantener el anillo en ambas posiciones con la mano.

Brazo de reacción alargado con barra

Compruebe que la barra está unida firmemente al brazo de reacción.

Aplique la barra de reacción en la posición deseada - contraria a la dirección de la máquina - antes de poner en funcionamiento la máquina.



Mantenimiento

Para un rendimiento óptimo

Para rendimiento máximo y operación sin problemas, es importante lubricar la herramienta periódicamente. Lubricar el motor con aceite, es decir, introduciendo gotas de aceite en el aire comprimido o directamente en la entrada de aire.

El gatillo, los engranajes planetarios, los cojinetes de bolas y los cojinetes de agujas se lubrican con grasa al efectuar la revisión periódica de la herramienta.

Lubricar el engranaje angular y el embrague con grasa que contenga bisulfuro de molibdeno, p. ej. Molykote BR2 Plus u otras marca equivalente.

Usar lubricantes de buena calidad. Los aceites y grasas mencionados en la tabla son ejemplos de lubricantes recomendados.

Protección contra el óxido y limpieza interna

El agua en el aire comprimido, el polvo y las partículas de desgaste producen óxido, agarrotamiento de las aletas, válvulas, etc. Se debe instalar un filtro de aire cerca de la máquina (ver "Calidad del aire").

Instrucciones de servicio

Se recomienda hacer revisiones periódicas y mantenimiento preventivo a intervalos regulares, una vez al año o tras 250.000 aprietes, lo que suceda primero. Pueden ser necesarias revisiones más frecuentes, si la máquina se utiliza con un par de apriete elevado y largos tiempos de apriete. Si la máquina no funciona correctamente, debe ser llevada inmediatamente a inspección.

El filtro situado en la entrada de aire y el silenciador del escape deben limpiarse con frecuencia o ser sustituidos a fin de impedir el agarrotamiento que disminuye la capacidad.

Durante las revisiones, todas las piezas deben limpiarse con precisión y las piezas defectuosas o desgastadas (por ejemplo, juntas tóricas, aletas) deben sustituirse.

Montaje y desmontaje

Es de suma importancia que las conexiones de rosca de la herramienta se aprieten correctamente, es decir, de acuerdo con las especificaciones de los diagramas de composición.

ⓘ Antes del montaje, lubricar las roscas con grasa. Al efectuar el montaje: Lubricar todos los aros tóricos con grasa.

Limpieza

Limpie detenidamente todas las piezas con aguarrás o un agente limpiador similar. Para evitar los atascos y la pérdida de potencia, limpie el filtro (si usa uno) y el filtro de escape entre servicios de mantenimiento.

Inspección

Tras la limpieza, inspeccione todas las piezas y cambie todas las piezas dañadas o desgastadas.

Lubricación

Lubrique sobre todos los engranes, la válvula y el embrague con una grasa que contenga bisulfuro de molibdeno (por ejemplo Molykote BR2 Plus). Véanse los diagramas de composición y las figuras de la sección de Instrucciones de servicio.

Guía de engrase Aprietatuercas

Marca	Cojinetes (objetivo general)	Unidad de rueda libre (ruedas de engranajes+ corona)	Rueda libre
BP	Energrease LS-EP2		Energrease LS-EP2
Castrol	Spheerol EP L2		
Esso	Beacon EP2		Beacon EP2
Q8	Rembrandt EP2		Rembrandt EP2
Mobil	Mobilegrease XHP 222		
Shell	Alvania EP2		Alvania EP2
Texaco	Multifak EP2		
Molycote			
Lubricating	Energrease LS-EP2	Suntemp LE 9102	
STP	Spheerol EP L2	Oil treatment	

Marca	Engranajes	Aire lubricación
Bp		Energol E46
Castro		
Esso		AroxEP46
Q8		Chopin 46
Mobil		Almo oil 525
Shell		Torcula 32
Texaco		Aries 32
Molycote	BR2 Plus	

Instrucciones de seguridad

Advertencia

Asegurarse de estar familiarizado con las instrucciones de operación antes de usar esta máquina.

La máquina, junto con todos los adaptadores y accesorios, sólo deberá usarse para el objeto de diseño.

Deberán observarse en todo momento todas las normas de seguridad de la legislación local relativas a instalación, operación y mantenimiento de la máquina.

La instalación y el servicio sólo deberán efectuarlas personal cualificado.

Antes de hacer ajuste alguno (p.ej. cambiar adaptador), desconectar la máquina de la tubería de aire comprimido.

Compruebe la dirección de la rotación antes de utilizar la máquina.

El operario de un aprietatuercas con barra de reacción de par deberá tener especial cuidado para evitar las lesiones por estrujamiento. Por razones de seguridad, no permitir que nadie use la máquina a menos que se trate de una persona adiestrada y completamente familiarizada con el funcionamiento de la máquina bajo distintas circunstancias.

La máquina sólo debe usarse con la barra de reacción correspondiente adaptada a la aplicación de específica. Ver también las instrucciones bajo la rúbrica "Barra de reacción".

No poner nunca la mano sobre la barra de reacción de par ni cerca de ella mientras se esté usando la herramienta.

Controlar que el adaptador de fuerza está debidamente fijado. Reemplazar el pasador de retención o de cierre cuando sea necesario. Reemplazar también todo adaptador gastado.

Mantener las manos, el pelo largo y otros objetos alejados del adaptador en rotación.

Cuando se use un gancho de suspensión, comprobar que está en buenas condiciones y debidamente fijado.

GARANTÍA CP

- 1) Este producto CP se garantiza contra materiales o mano de obra defectuosos, durante un período máximo de 12 meses a partir de la fecha de compra ya sea a CP o a cualquiera de sus agentes, siempre que su uso esté limitado a un turno de trabajo sencillo durante dicho período. Si el promedio de uso excede el de un turno de trabajo sencillo, el período de la garantía será reducido a prorrato.
- 2) Si durante el período de la garantía, el producto parece ser defectuoso cuanto a materiales o mano de obra, deberá ser devuelto a CP o a cualquiera de sus agentes, junto con una breve descripción del defecto. A su sola discreción, CP podrá disponer la reparación o el reemplazo gratis de los elementos que se consideran responsables de los materiales o mano de obra defectuosos.
- 3) Esta garantía no es aplicable a productos que han sido abusados, mal usados o alterados, o que han sido reparados usando piezas de repuesto que no sean piezas auténticas CP, o que han sido reparados por otros que no sean CP o cualquiera de sus agentes de servicio autorizados.
- 4) Si CP incurre en gastos debidos a la corrección del abuso, mal uso, daño accidental o modificación no autorizada, dichos gastos deberán ser reembolsados en su totalidad a CP.
- 5) CP no acepta ninguna reclamación en concepto de mano de obra u otros gastos pertinentes a productos defectuosos.
- 6) Todos los daños directos, fortuitos o resultantes en modo alguno de cualquier defecto serán expresamente excluidos.
- 7) Esta garantía se otorga en lugar de cualquier otra garantía, o condiciones, expresas o implícitas, referente a calidad, comerciabilidad o conveniencia para cualquier propósito dado.
- 8) Nadie, ya sea un agente, ayudante o empleado de CP, está autorizado a añadir o modificar los términos de esta garantía limitada de cualquier manera que sea.

MANUAL DE INSTRUÇÕES

Este produto é utilizado para instalar e remover parafusos em madeira, metal ou plástico. Outras utilizações não são permitidas. Apenas para uso profissional.

Principais características

Faixa de Torque	300-900 Nm
Velocidade Livre	100 r/mn (tr/mn)
Pressão de trabalho	3-7 bar
Ar consumido	19 l/s (40CFM)
Peso:	
CP7600 C	6.8 kg
CP7600 C-R	7.4 kg
CP7600 C-4P	7.1 kg
CP7600 C-R4P	7.7 kg

Declaração de nível de ruído e vibração

Nível de ruído de acordo com a norma padrão ISO15744	
	dB(A)
Nível de ruído medido	79
Nível determinado da potência de ruído	
Propagação em método e produção	3

Vibrações medidas de acordo com a norma padrão EN/ISO 8662-7	
	m/s ²
Valor determinado de vibração	<2.5
Propagação em método e produção	

Declaração sobre Ruído & Vibração

Estes valores declarados foram obtidos através de testes efectuados em laboratório, de acordo com os padrões indicados e adequam-se à comparação com valores declarados resultantes de outras ferramentas testadas de acordo com os mesmos padrões. Estes valores declarados não se adequam para utilização em avaliações de risco, sendo que os valores medidos em locais de trabalho possam ser superiores. A valores actuais de exposição e o risco de danos que podem ocorrer num utilizador individual são únicos e dependem da forma como o utilizador trabalha, da peça de trabalho e do design do local de trabalho, assim como do tempo de exposição e da condição física do utilizador.

Nós, CP, não podemos ser responsabilizados pelas consequências resultantes da utilização de valores declarados, em vez de valores resultantes de uma avaliação de risco individual que reflecte a exposição actual num local de trabalho sobre o qual não temos nenhum controlo. Esta ferramenta pode provocar o síndrome de vibração das mãos e braços, caso não seja manuseada de forma adequada. Pode encontrar um guia da UE sobre a vibração das mãos e braços em <http://www.humanvibration.com/EU/VIBGUIDE.htm>
Recomendamos um programa de vigilância médica para detectar atempadamente sintomas, que possam estar relacionados com a exposição à vibração, para que os procedimentos de manuseamento possam ser modificados, por forma a ajudar a evitar prejuízos futuros.

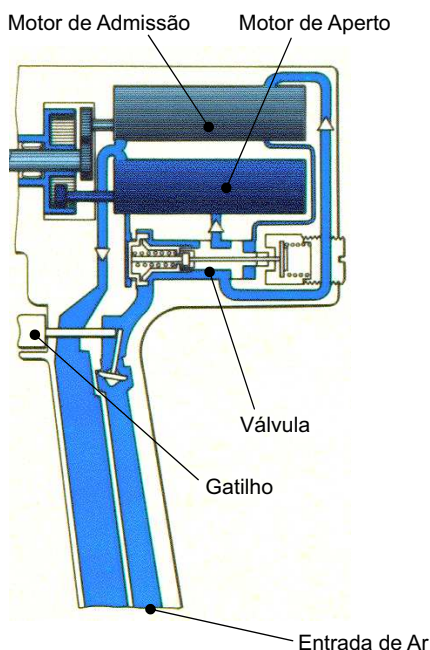
Copyright

© Copyright 2008, CP. Todos os direitos reservados. É proibida qualquer utilização ou cópia não autorizadas do conteúdo ou parte deste. Isto aplica-se particularmente a marcas registadas, denominações de modelo, números de peças e desenhos. Utilize apenas peças autorizadas. Quaisquer danos ou funcionamento defeituoso provocados pela utilização de peças não autorizadas não serão cobertos pela Garantia ou Responsabilidade do Produto.

Princípio de Funcionamento

Dentro da CP7600, uma válvula combina 2 funções chaves:

Direcionar o ar pelos dois motores pneumáticos e desligar a entrada de ar da ferramenta.



cs000870

Motor de Admissão

Ao puxar o gatilho, o ar passa pela válvula, direcionando-o para o motor de admissão que gira. Este motor gira uma engrenagem de baixa transmissão que gera uma alta velocidade e baixo torque.

Interruptor do motor

A medida que o torque é aplicado na CP7600, a potência de transmissão aumenta e o motor de admissão desacelera, causando uma pressão maior dentro do motor. Com essa pressão maior a válvula é levada para outra posição.

Aperto

O ar é direcionado para o motor de aperto. Este motor utiliza uma engrenagem de alta transmissão, que gera uma baixa velocidade e alto torque.

Desligamento

Enquanto o torque continua a crescer, o motor de aperto diminui a velocidade, causando pressões maiores dentro do motor. Quando a pressão excede o valor ajustado da mola, um pistão na válvula é empurrado, desligando toda a admissão de ar.

Ajustando o desligamento

A mola de pressão é ajustada na calibração do equipamento. Uma pressão específica (geralmente 6.3 bar / 90 psi) leva a um torque específico.

ATENÇÃO



Uma mudança na pressão do ar afetará o funcionamento do desligamento. Se a pressão é maior do que a calibrada, o desligamento irá atuar antes e o torque será menor do que o esperado. É muito importante trabalhar com a CP7600 na pressão indicada no certificado de calibração, pois assim garante o torque correto.

Instalação

Qualidade do ar

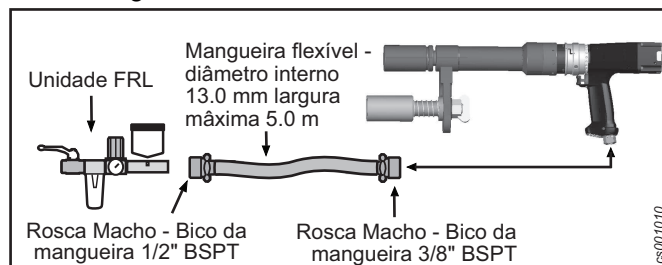
- Para um desempenho óptimo e um tempo de vida útil da máquina o mais longo possível, recomendamos a utilização de ar comprimido com um ponto de orvalho entre +2°C e +10°C. Recomenda-se a instalação de um secador de ar de refrigeração.
- A utilização de um filtro de ar separado permite a remoção de partículas sólidas maiores do que 30 microns e mais de 90% de água líquida, quando instalado o mais perto possível da máquina e antes de qualquer outra unidade de preparação de ar. Faça passar o sopro de ar pela mangueira antes de a ligar.
- O ar comprimido deve conter uma pequena quantidade de óleo. Recomendamos vivamente que instale um lubrificador de névoa de óleo, normalmente ajustado a 3-4 gotas (50 mm³)/m³ de consumo de ar para um longo ciclo de funcionamento da ferramenta, ou um lubrificador de ponto único para ciclos curtos de funcionamento da ferramenta.
- Relativamente às ferramentas sem lubrificação, por opção do cliente, não é desvantajoso se o ar comprimido contiver uma pequena quantidade de óleo fornecido por um lubrificador. Uma exceção são as ferramentas com turbina que devem ser mantidas sem óleo. (consulte Acessórios de Linha de Ar no catálogo principal).

Ligação do ar comprimido

- A máquina foi concebida para uma pressão de trabalho (e) de 3-7 = 300-700 kPa = 6-7 kp/cm².
- Faça passar o sopro de ar pela mangueira soprar antes de a ligar.

Instalação Recomendada

Para garantir a capacidade correta da máquina, é fortemente recomendado seguir as propostas de instalação para a ligação de ar entre o registro e a ferramenta.



cs001010

Manuseio

Configuração do torque de aperto

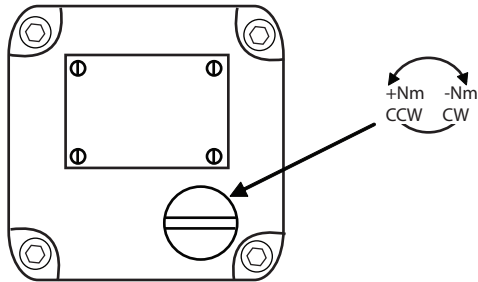
Para uma operação precisa e segura, o torque de aperto da chave de fenda deve ser ajustado corretamente em relação à junta da

rosca. Verifique a especificação do torque de aperto para a junta em questão.

A pressão do ar dada pelo FRL é ajustada de acordo com a pressão escrita no certificado de calibração à velocidade livre (gatilho totalmente pressionado e a chave de fenda girando livremente sem carga durante alguns segundos) geralmente 6,0-6,3bar.

Seletor de torque único

Ajustar a configuração do torque através da chave de ajustes. O torque aumenta quando se gira o parafuso no sentido anti-horário. Depois do ajuste, checar o torque de aperto dado pela junta em questão.

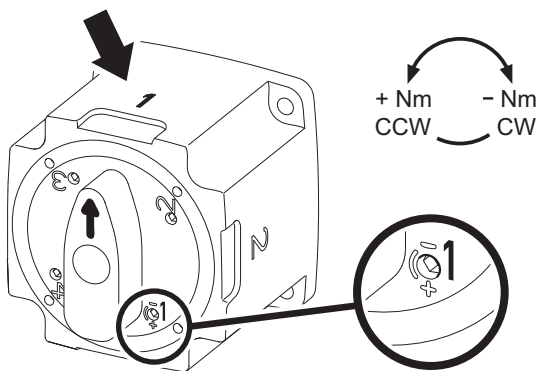


c-000850

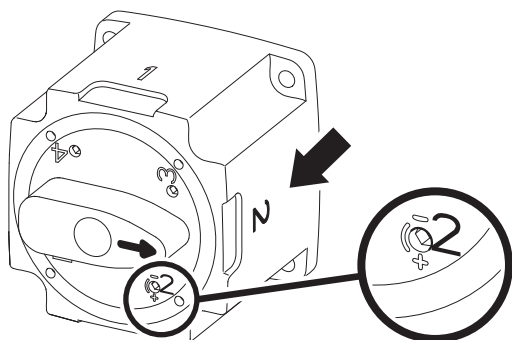
- ⓘ Caso o desligamento seja feito a altas rotações que causam uma alta escala de torque, é recomendado reduzir a pressão de ar.

4- Posição do seletor

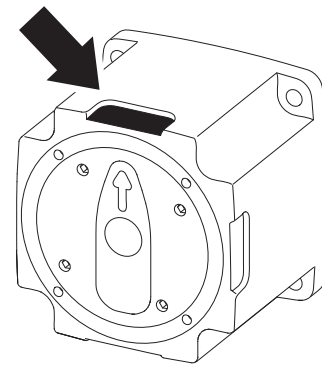
Para ajustar o Torque 1, girar o interruptor para o ponto de referência marcado na caixa. Ajustar o parafuso 1, ver a marca no interruptor como aumentar/diminuir o torque. Para ajustar o Torque 2, girar o interruptor para o ponto de referência 2 marcado na caixa. Ajustar o parafuso 2.



cs000800



cs001040

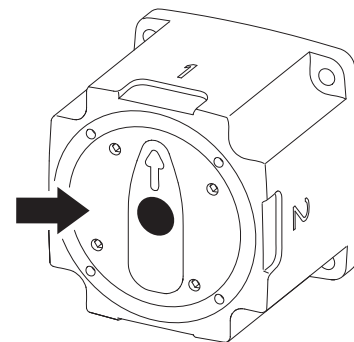


cs001050

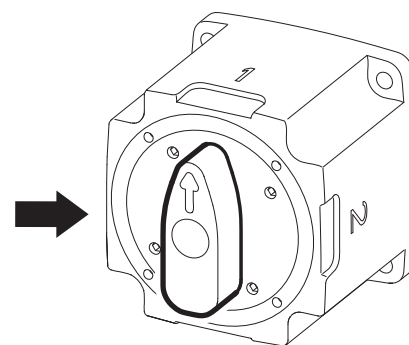
Marque na caixa as quatro áreas para se lembrar da configuração do seu torque.

Instruções de operação Seleção de torque de aperto

Aperte o botão preto. Gire o interruptor para a posição desejada. Empurre o interruptor de volta. Posição do anel de mudança de velocidade - engrenagem no sentido horário. Posição do anel de mudança de velocidade - engrenagem no sentido anti-horário.

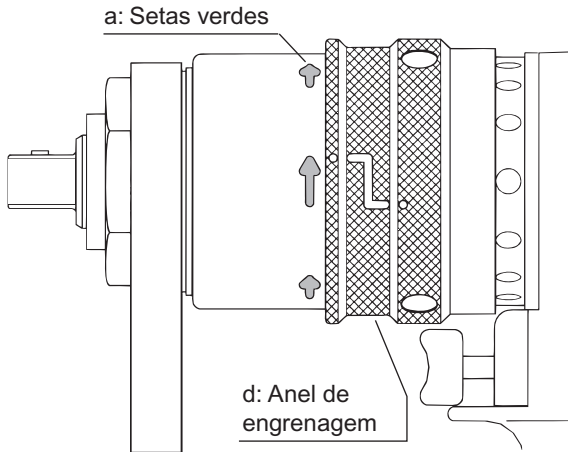


cs000810



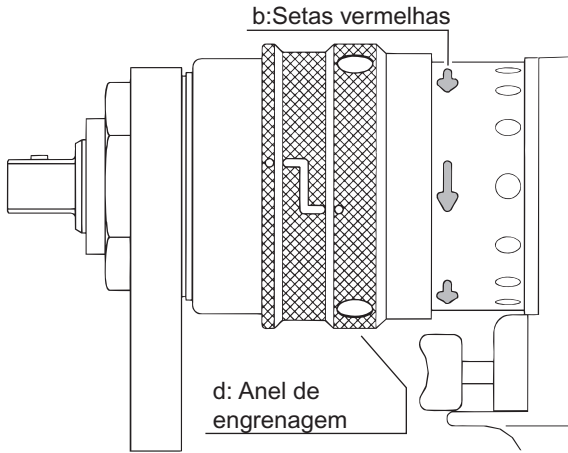
cs001060

Posição do anel da engrenagem - sentido horário



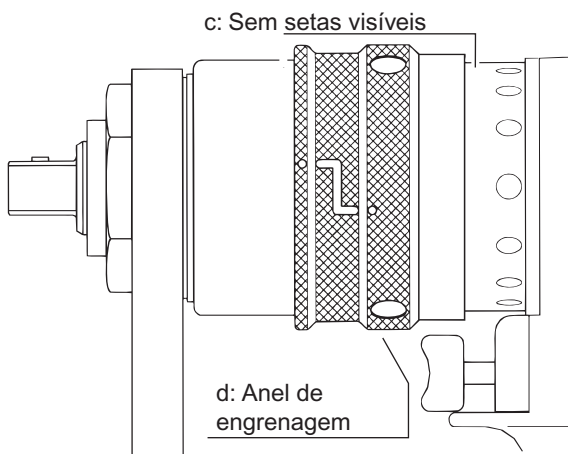
cs000940

Posição do anel de angrenagem- sentido anti-horário



cs000950

Posição do anel de engrenagem - posição central



cs000960

Instruções para reversão

Como não há um retorno automático da engrenagem para uma posição fixa, sempre checar antes de iniciá-la se ela está em posição horária ou anti-horária com todas as setas visíveis.

ATENÇÃO



Nunca mude a engrenagem enquanto a máquina estiver funcionando.
 Nunca inicie a máquina quando a engrenagem está na posição central.

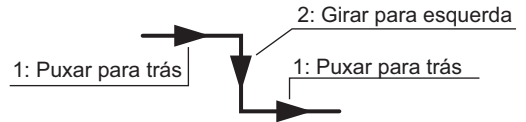
Aperte o anel da engrenagem com a mão e mova-a para frente-direita-frente, observe a figura abaixo.



cs000970

As flechas vermelhas indicam a posição de funcionamento. Exemplo: a máquina irá mover no sentido anti-horário quando iniciada.

Quando retornar para posição horária, puxe o anel trás-esquerda-trás, observe a figura abaixo.



cs000980

A flecha verde indica a direção do movimento. Exemplo: a máquina irá mover no sentido horário quando iniciada. Não é necessário manter o anel em ambas posições com a mão.

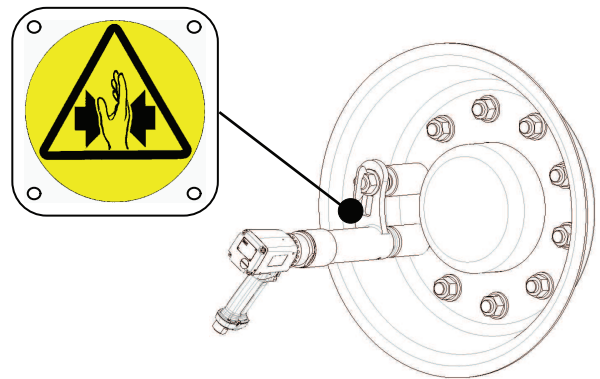
Braço de reação estendido com “soquete”

Verificar se o soquete está bem preso no braço de reação.

Deixar o braço de reação na posição desejada antes de iniciar a máquina.

braço de reação deve estar completamente ao redor do cubo de roda.

Ajustar a distância entre centros dos soquetes para apertar/desapertar.



cs001020

Manutenção

Para o máximo rendimento

Para conseguir o melhor desempenho e funcionamento sem problemas é importante lubrificar regularmente a ferramenta. O motor deve ser lubrificado com óleo, isto é, deve-se introduzir gotas de óleo no ar comprimido ou diretamente na entrada de ar.

O gatilho, engrenagens, rolamentos de agulha e rolamentos de esferas devem ser lubrificados com graxa durante a revisão regular da máquina.

A engrenagem angular e a embreagem devem ser lubrificadas com graxa que contém dissulfato de molibdênio: Molykote BR2 Plus, por exemplo, ou alguma marca equivalente.

Use lubrificantes de boa qualidade. Os óleos e graxas mencionados na tabela são exemplos de lubrificantes recomendados.

Proteção anti-ferrugem e limpeza interna

Água no ar comprimido, areia e partículas de desgaste causam ferrugem e irregularidades nas palhetas, válvulas, etc. Um filtro de ar deve ser instalado próximo à máquina. (ver “Qualidade do ar”).

Instruções de serviço

Recomenda-se que sejam efetuadas revisões e manutenção preventiva a intervalos regulares, uma vez por ano ou após um máximo de 250.000 apertos, conforme o que ocorrer primeiro. Pode ser necessário efetuar uma manutenção com mais frequência, se for usado altos torques e tempo de aperto longo. Se a máquina não estiver funcionando corretamente, deverá ser retirada imediatamente para inspeção.

O crivo de entrada de ar e o silenciador do tubo de escape devem ser limpos com frequência ou substituídos, a fim de evitar a sua obstrução, o que reduz a capacidade de trabalho.

Durante as revisões, todas as peças devem ser limpas cuidadosamente e as defeituosas o gastas devem ser substituídas.

Desmontagem / Montagem

É importante que as ligações roscadas da máquina estejam apertadas corretamente, de acordo com as especificações da vista explodida.

- ⓘ Antes de montar: Lubrificar roscas com graxa. Ao montar: Lubrificar anilhas com graxa.

Limpeza

Limpe muito bem todas as peças com diluente ou com um agente de limpeza semelhante.

Para evitar entupimento e perda de potência, pode ser necessário limpar o filtro de rede (se utilizado) e o filtro de escape entre as revisões.

Inspeção

Depois da limpeza, inspecionar todas as peças. As peças danificadas ou desgastadas devem ser substituídas

Lubrificação

Lubrifique especialmente as engrenagens, a válvula e a embreagem com graxa contendo bissulfato de molibdênio (por exemplo Molykote BR2 Plus). Consulte as vistas explodidas e as figuras nas instruções de serviço.

Chave de fenda com guia Aparafusadoras

Marca	Rolamentos (propósito geral)	Unidade de roda livre (rodas dentadas+coroa)	
			Roda livre
BP	Energrease LS-EP2		Energrease LS-EP2
Castrol	Spheerol EP L2		
Esso	Beacon EP2		Beacon EP2
Q8	Rembrandt EP2		Rembrandt EP2
Mobil	Mobilegrease XHP 222		
Shell	Alvania EP2		Alvania EP2
Texaco	Multifak EP2		
Molycote			
Lubricating		Suntemp LE 9102	
STP		Oil treatment	

Marca	Engrenagem	Lubrificação Air
Bp		Energol E46
Castro		
Esso		AroxEP46
Q8		Chopin 46
Mobil		Almo oil 525
Shell		Torcula 32
Texaco		Aries 32
Molycote	BR2 Plus	

Instruções de Segurança

Atenção

Assegure-se de que compreendeu bem as instruções antes de usar esta máquina.

A máquina, juntamente com todas as ligações e acessórios, não deve nunca ser usada para fins diferentes aos destinados.

Todas as normas de segurança localmente legisladas relativas a instalação, operação e manutenção devem ser sempre respeitadas.

Confie a instalação e a assistência apenas a pessoal competente.

Antes de efectuar quaisquer ajustes (como substituir adaptadores) desligue a máquina da rede de ar comprimido.

Verifique a direcção da rotação antes de usar a máquina.

Os operadores de aparafusadoras com barra de reacção de binário devem ter o cuidado especial para evitarem lesões devidas a compressão. Por razões de segurança – nunca permita que pessoas não habituadas ou que não saibam como a máquina trabalha em diversas circunstâncias, trabalhem com a máquina. Veja na secção intitulada “Barra de reacção”.

A máquina só deve ser usada juntamente com a sua barra de reacção de binário, a qual está adaptada à junta com parafuso apropriada. Ver também as instruções sob o título “Barra de reacção”

Nunca ponha a mão sobre ou perto da barra de reacção enquanto a máquina estiver em acção.

Verifique se o adaptador está correctamente apertado. Substitua o pino retentor ou bloqueador sempre que necessário. Substitua também os adaptadores de soquete gastos.

Mantenha as mãos, cabelos compridos ou outros objectos afastados do adaptador em rotação.

Quando usar um olhal de suspensão, verifique se ele está em boas condições e correctamente apertado.

GARANTIA CP

- 1) Este produto CP está garantido contra defeito de fabrico ou de material, pelo prazo máximo de 12 meses a contar da data da compra feita à CP ou aos seus agentes, com a condição de que a utilização do produto se tenha limitado ao funcionamento em turno único durante o referido período. Caso a utilização tenha ultrapassado os limites do funcionamento em turno único, o período de garantia será reduzido proporcionalmente.
- 2) Caso o produto apresente sinais de defeito de fabrico ou de material durante o período de garantia, deverá ser devolvido à CP ou aos seus agentes, juntamente com uma breve descrição do suposto defeito. Ficará a critério exclusivo da CP a decisão de reparar ou substituir gratuitamente os artigos considerados defeituosos devido a erro de fabrico ou de material.
- 3) A presente garantia não se aplicará a produtos que tenham sido submetidos a abuso, utilização incorrecta ou modificações, ou que tenham sido reparados com outras peças que não as peças sobresselentes genuínas CP, ou por outro agente que não o próprio fabricante CP ou um técnico de reparações autorizado pelo mesmo.
- 4) Caso a CP incorra em alguma despesa na reparação de uma falha resultante de abuso, utilização incorrecta, dano acidental ou modificação não autorizada, tal despesa deverá ser liquidada na íntegra.
- 5) A CP não aceita qualquer reclamação relativa a mão-de-obra ou despesas de outra natureza, que diga respeito a produtos defeituosos.
- 6) Quaisquer danos directos, acidentais ou consequenciais que decorram de qualquer defeito estão expressamente excluídos.
- 7) A presente garantia substitui todas as demais garantias, ou condições, expressas ou implícitas, no que respeita a qualidade, viabilidade comercial ou adequação do produto a qualquer finalidade específica.
- 8) Nenhuma pessoa, seja agente, empregado ou funcionário da CP, está autorizada a fazer aditamentos ou modificar os termos desta garantia limitada, seja de que forma for.

Part no	8940166747
Issue no	1
Series no	1
Date	2010-01
Page	38

IT

MANUALE DI ISTRUZIONI

Questo prodotto è progettato per avvitare e svitare viti da legno, metallo e plastica. Non è consentito nessun altro utilizzo. Solo per uso professionale.

Caratteristiche principali

Intervallo di coppia	300-900 Nm
Velocità a vuoto	100 r/mn (tr/mn)
Pressione di funzionamento	3-7 bar
Consumo d'aria	19 l/s (40CFM)
Peso:	
CP7600 C	6.8 kg
CP7600 C-R	7.4 kg
CP7600 C-4P	7.1 kg
CP7600 C-R4P	7.7 kg

Dichiarazione dell'emissione di rumore e di vibrazioni

Emissione sonora misurati in conformità ISO15744dB(A)

Livello di pressione sonora misurato	79
Livello di energia sonora determinato	
Distribuzione in metodo e produzione	3

Emissione di vibrazione misurati in conformità a EN/ISO 8662-7

Valore delle vibrazioni misurato	m/s^2 <2.5
Distribuzione in metodo e produzione	

Dichiarazione su vibrazioni e rumorosità

I valori qui dichiarati sono stati ottenuti mediante test eseguiti in laboratorio conformemente alla direttiva o agli standard indicati e sono idonei al raffronto con i valori dichiarati di altri utensili testati in conformità alla medesima direttiva o standard. I valori qui dichiarati non sono adeguati a un utilizzo per la valutazione del rischio e i valori misurati nei singoli luoghi di lavoro potrebbero essere più elevati. I valori di esposizione effettivi e il rischio di lesioni per ogni singolo operatore sono unici e dipendono dal modo in cui lavora l'operatore, dal pezzo e dalla struttura della stazione di lavoro, nonché dai tempi di esposizione e dalle condizioni fisiche dell'operatore. Nella valutazione del rischio individuale in un contesto operativo sul quale l'azienda non può esercitare alcun controllo, non può essere ritenuta responsabile per le eventuali conseguenze derivanti dall'utilizzo dei valori dichiarati anziché dei valori relativi all'esposizione effettiva.

Noi, CP, non possiamo essere ritenuti responsabili delle conseguenze derivanti dal considerare i livelli dichiarati anziché i reali livelli di esposizione, in singole valutazioni di rischio, nelle situazioni di lavoro di cui non abbiamo alcun controllo. Se non utilizzato in modo idoneo, questo utensile può provocare la sindrome da vibrazioni mano-braccio. Per una guida UE sulla gestione delle vibrazioni mano-braccio, consultare l'indirizzo internet <http://www.humanvibration.com/EU/VIBGUIDE.htm> Si raccomanda l'adozione di un programma di controllo sanitario finalizzato a individuare i primi sintomi di un'eventuale esposizione alle vibrazioni, affinché sia possibile modificare le procedure di gestione e aiutare a prevenire disabilità significative.

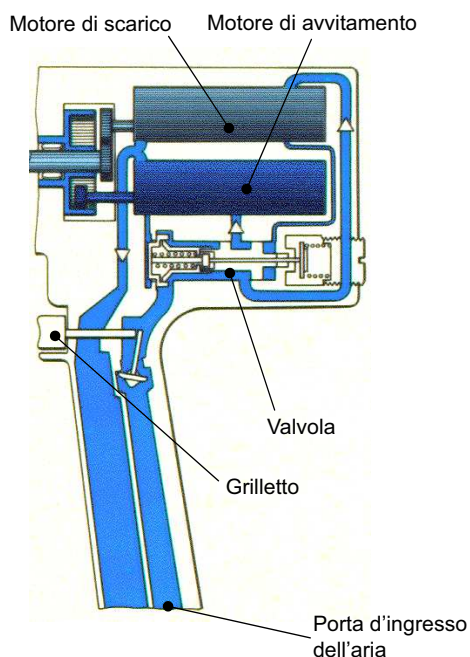
Copyright

© Copyright 2008, CP. Tutti i diritti riservati. È vietata la riproduzione totale o anche solo parziale del presente documento salvo previa autorizzazione, specialmente per quanto concerne i marchi depositati, le denominazioni dei modelli, i numeri di codice e le illustrazioni. Si raccomanda di impiegare esclusivamente componenti autorizzati. Gli eventuali danni o difetti di funzionamento dovuti all'uso di componenti non autorizzati non sono coperti né dalla garanzia né dalle eventuali rivendicazioni di responsabilità sul prodotto.

Funzionamento

All'interno del CP7600 è presente una valvola che svolge 2 funzioni fondamentali:

dirigere l'aria attraverso i due motori pneumatici e interrompere l'erogazione di aria all'attrezzo.



cs000870

Scarico

Quando si tira il grilletto, il flusso d'aria attraversa la valvola e si indirizza verso il motore di scarico, che ruota. Tale motore è dotato di un basso rapporto di trasmissione che genera alta velocità e coppia ridotta.

Interruttore del motore

Quando al CP7600 si applica il carico di coppia, il motore di scarico rallenta, producendo un aumento della pressione interna dell'aria. A causa dell'aumento di pressione, la valvola viene spinta verso un'altra posizione.

Avvitamento

L'aria è quindi diretta verso il motore di avvitamento. Tale motore è dotato di un alto rapporto di trasmissione che genera bassa velocità e coppia elevata.

Chiusura

Quando il carico di coppia continua ad aumentare, il motore di avvitamento rallenta, producendo un aumento della pressione interna dell'aria. Quando la pressione dell'aria supera la pressione specifica di una molla, nella valvola viene spinto un pistone, chiudendo completamente il passaggio dell'aria.

Regolazione della chiusura

La pressione della molla viene regolata durante la calibrazione dell'attrezzo. Una determinata pressione dell'aria, di solito 6,3 bar / 90 psi, produce una specifica coppia.

ATTENZIONE



Ogni cambiamento della pressione dell'aria influisce sul funzionamento della chiusura. Se la pressione dell'aria è superiore alla pressione di calibrazione, la chiusura si attiverà prima e la coppia sarà inferiore rispetto al valore atteso. IPer ottenere la coppia adeguata, è importante che il CP7600 funzioni alla pressione dell'aria indicata sul certificato di calibrazione.

Installazione

Qualità dell'aria

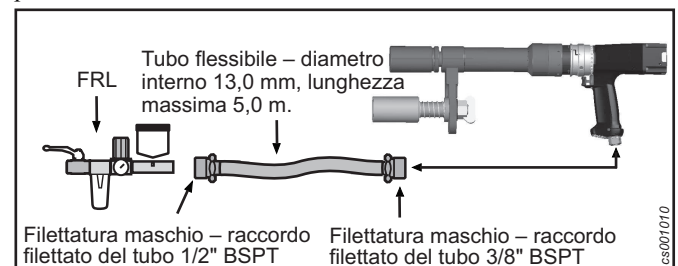
- Per ottenere le massime prestazioni e durata della macchina, utilizzare aria compressa con punto di rugiada compreso tra +2°C e +10°C. Si raccomanda l'installazione di un essiccatore-refrigeratore d'aria.
- Utilizzare un filtro dell'aria separato che rimuova i corpi solidi di grandezza superiore a 30 micron e oltre il 90% dell'acqua, installandolo il più vicino possibile alla macchina e a monte di qualsiasi altra unità di trattamento dell'aria. Pulire il flessibile prima di collegarlo.
- L'aria compressa deve contenere una piccola quantità d'olio. Si raccomanda di installare un lubrificatore a nebbia d'olio, generalmente impostato su 3-4 gocce (consumo d'aria 50 mm³/m³), per cicli di funzionamento prolungati oppure un lubrificatore monopunto per brevi cicli di funzionamento.
- Negli attrezzi che non necessitano di lubrificazione, la piccola quantità d'olio nell'aria compressa, fornita da un lubrificatore, non comporta alcun problema. Un'eccezione è rappresentata dagli attrezzi a turbina, che devono essere mantenuti privi d'olio. (vedere Accessori per il trattamento dell'aria nel nostro catalogo principale).

Collegamento alla rete dell'aria compressa

- L'utensile è stato progettato per una pressione di esercizio massima (e) di 3-7 bar = 300-700 kPa = 6-7 kp/cm².
- Prima di collegare il flessibile, pulirlo con aria.

Installazione consigliata

Per sfruttare al meglio le capacità dell'attrezzo, consigliamo fortemente di seguire le istruzioni di installazione allegate, dalla punta di maschiatura della rete all'attrezzo.



cs001010

Uso

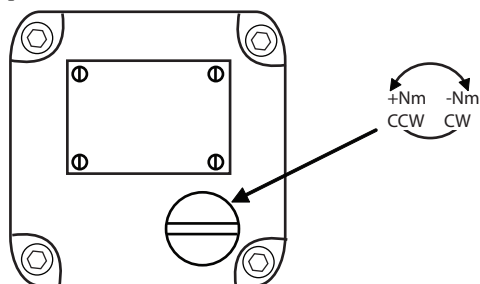
Coppia di serraggio

Per il corretto funzionamento e la massima sicurezza, la coppia di serraggio dell'avvitatore deve essere regolata correttamente in relazione al giunto a vite. Controllare la coppia effettiva del giunto.

La pressione dell'aria fornita dall'FRL è impostata in base alla pressione scritta sul certificato di calibrazione con velocità a vuoto (grilletto premuto completamente e serradadi che ruota senza carico per un paio di secondi) solitamente pari a 6,0 - 6,3 bar.

Selettore per coppia singola

Definire le impostazioni di coppia tramite la chiave di regolazione. La coppia aumenta quando la vite viene ruotata in senso antiorario. Dopo la regolazione, verificare la coppia di avvitamento data al giunto in questione.

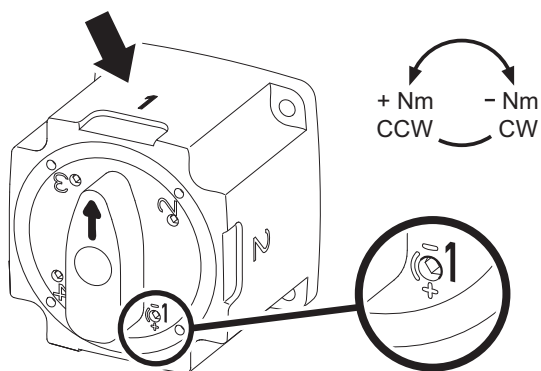


c000850

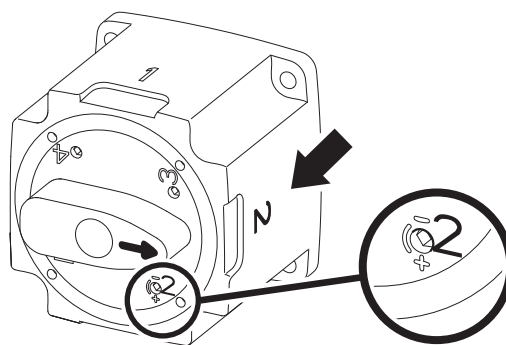
ⓘ Se la chiusura ha luogo a una velocità elevata di rotazione, provocando una riduzione della coppia, si consiglia di limitare la pressione dell'aria.

Selettore a 4 posizioni

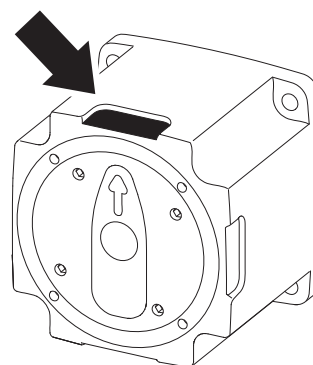
Per impostare la coppia 1, spostare il selettore ruotante sul punto di riferimento segnato sull'involucro. Impostare la vite di regolazione 1. Fare riferimento al segno sull'interruttore come se si volesse aumentare/ridurre la coppia. Per impostare la coppia 2, spostare il selettore ruotante sul punto di riferimento 2 segnato sull'involucro. Impostare la vite di regolazione 2.



cs000800



cs001040

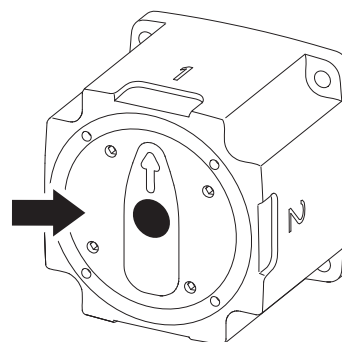


cs001050

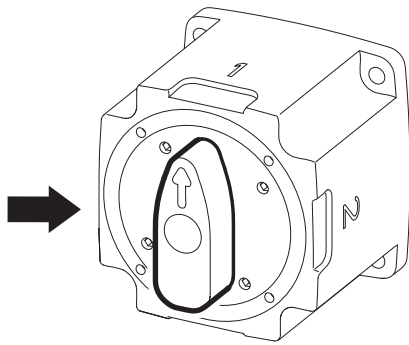
Ricordare le impostazioni di coppia inserendo i propri marcatori sulle quattro zone dell'involucro.

Istruzioni di funzionamento Selettore della coppia di avvitamento

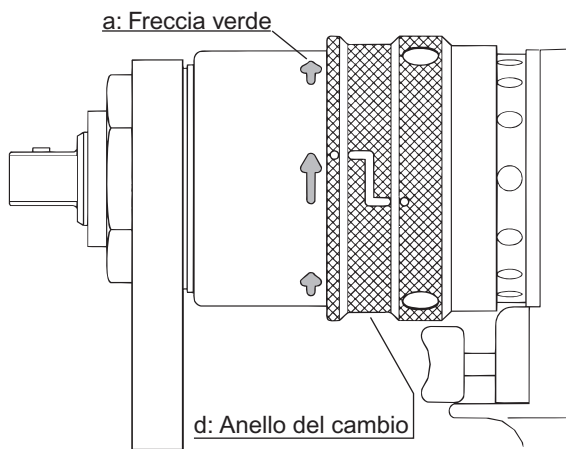
Premere il tasto nero. Spostare il selettore ruotante sulla posizione desiderata. Premere all'indietro il selettore ruotante.



cs000810

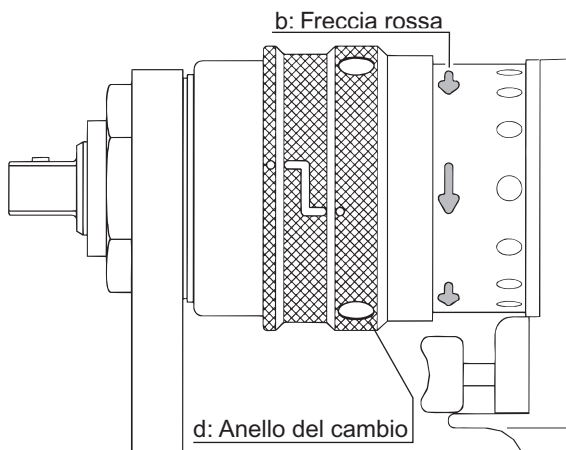


Posizione dell'anello in senso orario



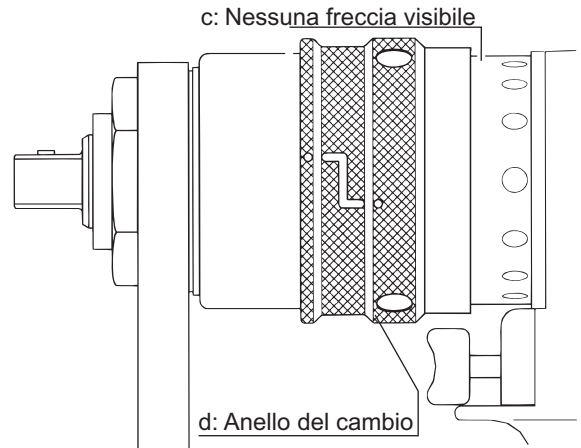
cs001060

Posizione dell'anello in senso antiorario



cs000950

Posizione dell'anello al centro



cs000960

Istruzioni per l'inserimento della retromarcia

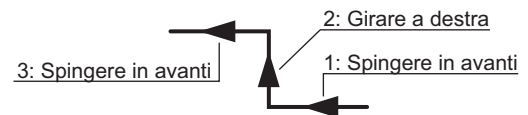
Dal momento che non è presente alcun sistema automatico di ritorno del selettore a una posizione fissata, prima di iniziare controllare che il selettore sia in posizione oraria o antioraria con tutte le frecce visibili.

ATTENZIONE



Non spingere il selettore quando l'attrezzo è in funzionamento.
Non avviare l'attrezzo quando il selettore è in posizione centrale.

Prendere l'anello del selettore e muoverlo in avanti – a destra – in avanti; vedere la fig. sotto riportata.



cs000970

Le frecce rosse indicano la direzione di funzionamento, cioè all'accensione l'attrezzo ruoterà in senso antiorario. Quando si torna alla posizione in senso orario, tirare indietro l'anello – a sinistra – indietro; vedere la fig. sotto riportata.



cs000980

Le frecce verdi indicano la direzione di funzionamento, cioè, all'accensione l'attrezzo ruoterà in senso orario. Per entrambe le posizioni non è necessario tenere in mano l'anello.

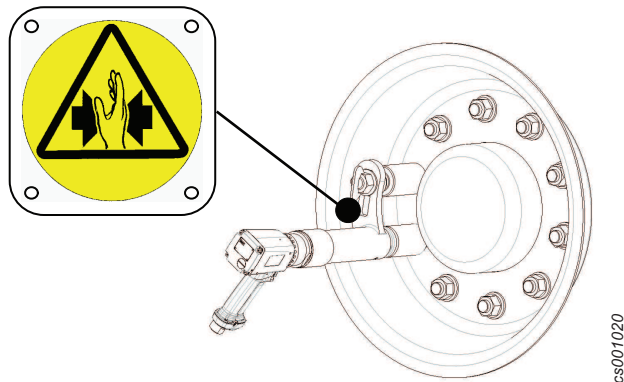
Braccio di reazione esteso con posizionamento del tubo caricato a molla

Regolare la distanza da centro a centro tra la presa e il tubo caricato a molla in base ai dadi da avvitare/svitare.

Controllare che il tubo caricato a molla sia saldamente collegato al braccio a reazione.

Applicare la barra di reazione nella posizione desiderata prima di attivare l'attrezzo.

Il braccio a reazione deve assolutamente ruotare intorno al mozzo.



cs001020

Manutenzione

Per ottenere le massime prestazioni

Per la massima efficienza ed un funzionamento senza problemi, è importante lubrificare regolarmente. Il motore va lubrificato con olio: le gocce d'olio vanno introdotte nell'aria compressa oppure direttamente nella presa dell'aria.

La levetta di scatto, gli ingranaggi epicicloidali, i cuscinetti ad aghi ed i cuscinetti a sfere vanno lubrificati con grasso in occasione delle regolari revisioni dell'utensile.

L'ingranaggio angolare e l'innesto vanno lubrificati con grasso contenente disolfuro di molibdeno, ad es. il Molykote BR2 Plus o altri prodotti equivalenti.

Usare lubrificanti di buona qualità. Gli oli e i grassi menzionati nella tabella sono esempi di lubrificanti raccomandati.

Protezione antiruggine e pulizia interna

Acqua, polvere e particelle di usura nell'aria compressa possono provocare l'ossidazione ed il grippaggio di palette, valvole, ecc. In prossimità della macchina deve essere installato un filtro dell'aria (vedere 'Qualità dell'aria').

Istruzioni per la manutenzione

La revisione e la manutenzione preventiva devono essere effettuate ad intervalli regolari almeno una volta all'anno oppure dopo un massimo di 250.000 serraggi, a seconda della scadenza che si presenta per prima. Qualora la macchina sia utilizzata con coppie elevate e lunghi tempi di serraggio può essere necessario revisionarla più frequentemente, la macchina deve essere controllata immediatamente.

Il filtro a reticella dell'ingresso dell'aria e il filtro di scarico devono essere puliti frequentemente o sostituiti per evitarne l'intasamento, che porterebbe ad una diminuzione delle prestazioni della macchina.

In sede di revisione, pulire a fondo tutte le parti e sostituire le parti danneggiate o usurate (ad esempio O-ring, palette).

Smontaggio / montaggio

E' importante che i raccordi filettati delle macchine siano serrati correttamente, cioè come indicato nelle specifiche sugli esplosi.

- ⓘ Prima del montaggio, lubrificare con grasso le filettature. Durante il montaggio: lubrificare con grasso tutti gli anelli toroidali.

Pulizia

Pulire accuratamente tutte le parti con acqua ragia o detergente simile.

Per prevenire intasamenti e perdite di potenza, può essere necessario pulire l'eventuale filtro ed il filtro di scarico tra le varie revisioni.

Ispezione

Controllare tutte le parti dopo la pulizia. Sostituire le parti usurate e danneggiate.

Lubrificazione

Lubrificare in particolare ingranaggi, valvola e frizione con grasso contenente bisolfuro di molibdeno (ad es. Molykote BR2 Plus). Vedere gli esplosi e la fig. in Istruzioni per la manutenzione.

Guida alla scelta del Avvitadadi

Marca	Cuscinetti (universale)	Unità a ruota libera (ruota dentata + corona)	Ruota libera
BP	Energrease LS-EP2		Energrease LS-EP2
Castrol	Spheerol EP L2		
Esso	Beacon EP2		Beacon EP2
Q8	Rembrandt EP2		Rembrandt EP2
Mobil	Mobilegrease XHP 222		
Shell	Alvania EP2		Alvania EP2
Texaco	Multifak EP2		
Molycote			
Lubricating		Suntemp LE 9102	
STP		Oil treatment	

Marca	Ingranaggi	Aria di lubrificazione
Bp		Energol E46
Castro		
Esso		AroxEP46
Q8		Chopin 46
Mobil		Almo oil 525
Shell		Torcula 32
Texaco		Aries 32
Molycote	BR2 Plus	

Norme di sicurezza

Attenzione

Prima di utilizzare l'utensile, leggere attentamente e capire le istruzioni di funzionamento.

L'utensile, i collegamenti e gli accessori devono essere utilizzati esclusivamente per gli scopi espressamente indicati.

Rispettare sempre le norme ed i regolamenti locali inerenti l'installazione, il funzionamento e la manutenzione.

Rivolgersi esclusivamente a personale addestrato per le operazioni di installazione ed assistenza.

Prima di eseguire qualsiasi regolazione (ad es. sostituire le prese), staccare l'utensile dalla rete dell'aria compressa.

Controllare il senso di rotazione prima di utilizzare la macchina.

L'operatore di un avvitatore con barra di reazione deve prestare particolare attenzione al rischio di schiacciamento. Per motivi di sicurezza, consentire l'utilizzo dell'utensile solamente a personale esperto ed addestrato per qualsiasi evenienza. Fare riferimento alla sezione "Barra di reazione".

Utilizzare l'utensile solamente con una barra di reazione idonea al tipo di giunto a vite da avvitare. Vedere anche le istruzioni contenute nel paragrafo "Barra di reazione".


Durante l'utilizzo dell'utensile, non appoggiare né avvicinare mai le mani accanto alla barra di reazione.

Controllare che la presa di alimentazione sia fissata correttamente - sostituire il fermo del dispositivo di azionamento quadrato se necessario. Sostituire anche eventuali prese usurate.

Tenere lontano mani, capelli lunghi o altri oggetti dalla presa rotante.

Prima di utilizzare un giogo di sospensione, assicurarsi che sia in buone condizioni ed adeguatamente fissato.



Part no	8940166747	
Issue no	1	
Series no	1	
Date	2010-01	
Page	44	

Garanzia CP

- 1) Questo prodotto CP è garantito da difetti di lavorazione o dei materiali per un periodo massimo di 12 mesi a partire dalla data di acquisto presso CP o i suoi rappresentanti, sempre che il suo impiego sia stato limitato ad un unico turno per tutto quel periodo; se il ritmo di impiego supera il funzionamento durante un unico turno, la durata della garanzia deve essere ridotta in modo proporzionale.
- 2) Se durante il periodo della garanzia il prodotto presenta difetti di lavorazione o dei materiali, esso deve essere restituito a CP o ai suoi rappresentanti, unitamente ad una breve descrizione del presunto difetto. CP deciderà, a sua discrezione, se dare disposizioni per la riparazione o sostituzione gratuita dei componenti che ritiene essere difettosi, quale risultato di difetti di lavorazione o dei materiali.
- 3) Questa garanzia non è valida per quei prodotti che sono stati usati in modo improprio o impropriamente modificati, o che sono stati riparati usando ricambi non originali CP e non da CP o dai suoi rappresentanti autorizzati.
- 4) Se CP dovesse andare incontro a spese per riparare un guasto causato da cattivo uso, uso improprio, danni accidentali o modifica non autorizzata, essa richiederà il rimborso totale di tale spesa.
- 5) CP non accetta nessuna richiesta di risarcimento per spese di manodopera o di altro tipo causate da prodotti difettosi.
- 6) Si escludono espressamente danni diretti, incidentali o indiretti di qualsiasi tipo dovuti a qualsiasi difetto.
- 7) Questa garanzia viene data al posto di ogni altra garanzia o condizione, espressa o implicita, riguardante la qualità, commerciabilità o idoneità per qualsiasi scopo particolare.
- 8) Nessuno, neppure i rappresentanti, dipendenti o impiegati di CP, è autorizzato ad ampliare o modificare, in qualsiasi modo, i termini di questa garanzia limitata.

HANDLEIDING

Dit product is speciaal ontworpen voor het vast- en losschroeven van bouten/moeren in hout, metaal en kunststof. Géén ander gebruik is toegestaan. Enkel voor professioneel gebruik bestemd.

Hoofd Karakteristieken

Aanhaalkoppel bereik	300 - 900 Nm
Onbelast Toerental	100 r/mn (tr/mn)
Werkdruk	3 - 7 bar
Luchtverbruik	19 l/s (40CFM)
Gewicht:	
CP7600 C	6.8 kg
CP7600 C-R	7.4 kg
CP7600 C-4P	7.1 kg
CP7600 C-R4P	7.7 kg

Opgave van het geluids- en trillingsniveau

Waarden van het geluidsniveau volgens ISO15744dB(A)

Gemeten geluidsdruk	79
Vastgesteld geluidsvermogen	
Spreiding volgens methode en productie	3

Trillingswaarden volgens EN/ISO 8662-7

Gemeten trillingswaarde	<2.5 m/s ²
Spreiding volgens methode en productie	

Verklaring geluid & trilling

Deze aangegeven waarden zijn verkregen door laboratoriumtests conform de aangegeven normen en zijn geschikt om vergeleken te worden met de aangegeven waarden of andere geteste gereedschappen met dezelfde normen. De aangegeven waarden zijn niet geschikt voor gebruik voor risicobepalingen en de waarden gemeten op de afzonderlijke werkplekken kunnen hoger zijn. De werkelijke blootstellingswaarden en het risico op letsel verschillen per gebruiker en zijn afhankelijk van de manier waarop de gebruiker werkt, het werkstuk en het ontwerp van het werkstation, alsmede de blootstellingstijd en de fysieke conditie van de gebruiker.

Wij ,CP, zijn niet aansprakelijk voor de consequenties van het gebruik van de aangegeven waarden in plaats van werkelijke blootstellingswaarden voor een afzonderlijke risicobepaling in een werkpleksituatie waarover wij geen controle hebben. Dit gereedschap kan het hand-arm-trillingssyndroom veroorzaken als het niet correct wordt gebruikt. Een EU-richtlijn voor het beheren van hand-arm-trillingen treft u aan op de website <http://www.humanvibration.com/EU/VIBGUIDE.htm> Wij adviseren een gezondheidscontrole op te zetten om al in een vroegstadium symptomen te kunnen waarnemen die gerelateerd zouden kunnen zijn aan blootstellingen aan trillingen, zodat managementprocedures aangepast kunnen worden om toekomstig letsel te voorkomen.

Part no	8940166747
Issue no	1
Series no	1
Date	2010-01
Page	46

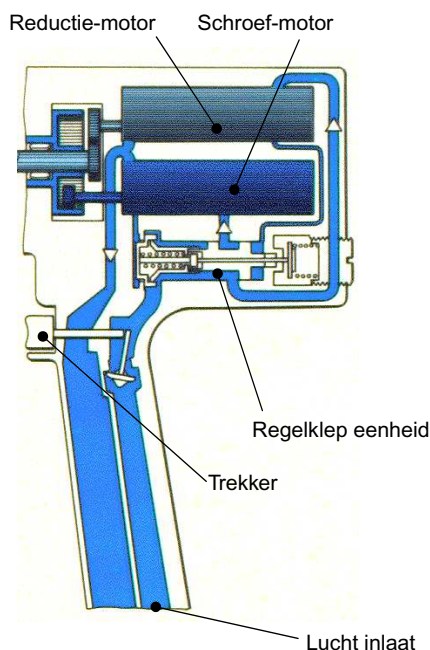


Copyright

© Copyright 2008, CP. Alle rechten voorbehouden. Het zonder toestemming gebruiken of kopiëren van de inhoud of delen daarvan is verboden. Dit is in het bijzonder van toepassing op handelsmerken, modelaanduidingen, onderdeelnummers en tekeningen. Gebruik alleen goedgekeurde onderdelen. Schade of defecten die veroorzaakt zijn door het gebruik van niet-goedgekeurde onderdelen vallen niet onder de garantiebepalingen.

Werking

Binnenin de CP7600 een regelklep unit combineert 2 belangrijke functies: het aandrijven van de beide luchtmotoren en het uitschakelen van de luchttoevoer in het toestel.



cs000870

Reductie

Bij het induwen van de trekker, zal de lucht via de regelklep unit de reductie motor aandrijven. Deze motor genereert door een kleine overbrengingsverhouding een hoog toerental gecombineerd met een laag koppel.

Motor omschakeling

Als het koppel op de uitgaande as stijgt, de reductiemotor zal in snelheid vertragen en de luchtdruk in deze motor toenemen. Door deze toename de regelklep zal van positie veranderen.

Vastschroeven

De lucht stroomt door de tweede motor (schroefmotor). Deze motor genereert door zijn grote overbrengingsverhouding een laag toerental gecombineerd met een hoog koppel.

Uitschakeling

Als de koppelbelasting blijft toenemen, de schroefmotor zal vertragen en leiden tot een verhoogde druk in deze motor. Als deze druk de gekalibreerde veerspanning in de regelklep unit overschrijdt, de zuiger in deze unit zal verschuiven en schakelt automatisch de luchttoevoer uit.

Het instellen van het uitschakelsysteem

De veerspanning in de regelklep unit wordt ingesteld tijdens de kalibratie. Een specifieke luchtdruk (gebruikelijk 6,3 bar / 90PSI) leidt tot een specifiek koppel.

WAARSCHUWING



A Een wijziging in de luchtdruk zal invloed hebben op het uitschakelsysteem. Te hoge druk zorgt voor een snellere uitschakeling van het toestel en het koppel zal lager zijn als het verwachte aanhaalmoment. Het is heel belangrijk het toestel te laten draaien onder de voorgeschreven werkdruk (genoteerd op het kalibratiedocument) om een perfecte werking en koppel te garanderen.

Installatie

Luchtkwaliteit

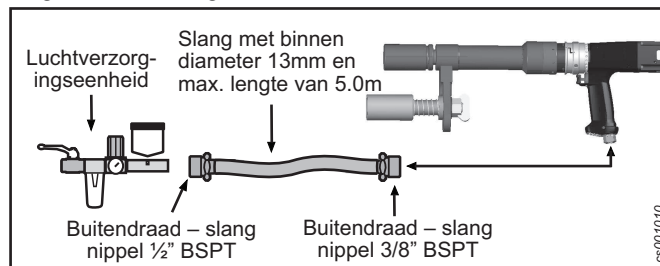
- Voor optimale prestaties en een maximale levensduur van de machine raden wij het gebruik van perslucht met een dauwpunt tussen +2°C en +10°C aan. De installatie van een luchtdroger van koelingtype wordt aanbevolen.
- Gebruik een afzonderlijk luchtfilter Dit verwijdert vaste deeltjes groter dan 30 micron en meer dan 90% van vloeibaar water. Monteer dit zo dicht mogelijk bij de machine, vóór enige andere unit voor het prepareren van lucht. Blaas de slang uit alvorens deze aan te sluiten.
- De perslucht moet een kleine hoeveelheid olie bevatten. Wij raden u sterk aan een olienevelaar, die normaliter op 3-4 druppels (50 mm³)/m³ luchtverbruik voor gereedschappen met lange draaicycli is ingesteld, of een eenpuntssmeertoestel voor gereedschappen met korte draaicycli te installeren.
- Betreffende smeringsvrije gereedschappen is het, ter keuze van de klant, niet ongunstig wanneer de perslucht een kleine hoeveelheid olie als geleverd vanuit een smeertoestel bevat. Een uitzondering wordt gevormd door turbinegereedschappen, die vrij van olie moeten blijven. (zie a.u.b. Luchtleidingsaccessoires in onze hoofdcatalogus).

Persluchtaansluiting

- Het gereedschap is ontworpen voor een bedrijfsdruk (e) van 3-7 bar = 300-700 kPa = 6-7 kg/cm².
- Blaas de slang uit alvorens hem aan te sluiten.

Voorgeschreven installatie

Om een goede werking van het toestel te garanderen, stellen wij volgende aansluiting voor.



cs001010

Bediening

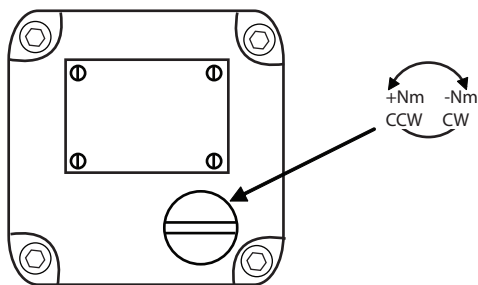
Aanhaalkoppel

Voor een nauwkeurige werking en veiligheid moet het aanhaalkoppel van de schroevendraaier aan de schroefverbinding worden aangepast. Controleer het opgegeven aanhaalkoppel voor de aan te brengen schroefverbinding.

De luchtdruk gevoed door de FRL wordt ingesteld volgens de kalibratie specificaties in vrijloop (trekker volledig ingeduwd en onbelast laten draaien gedurende enkele seconden). Gebruikelijk 6.0 – 6.3 bar.

Uitvoering met 1 ingesteld koppel

Pas de koppel instelling aan d.m.v. de instelschroef. Het koppel wordt verhoogd door deze schroef tegen-uurwijzerzin te verdraaien. Na instelling moet het erkelijke aanhaalmoment in de verbinding gecontroleerd worden.

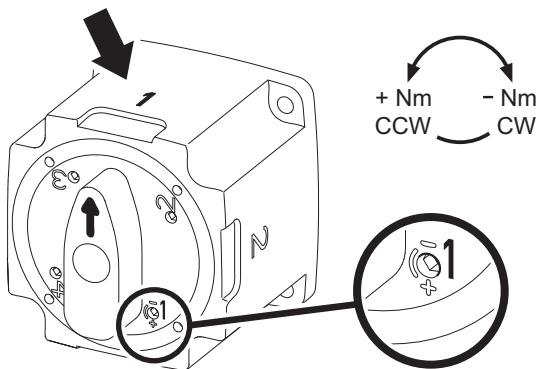


c000850

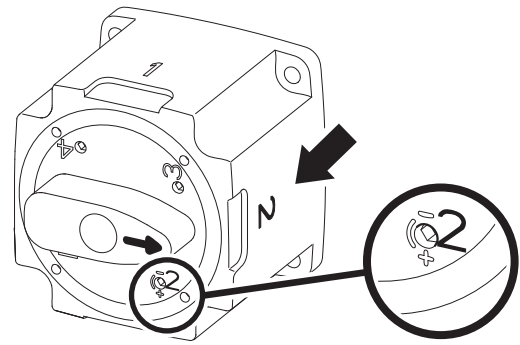
- ⓘ Het uitschakelen bij te hoge toerentallen, kan leiden tot hoog aanhaalmoment schommelingen, en om dit te vermijden raden wij aan de luchtdruk te reduceren.

4 Posities Schakelaar

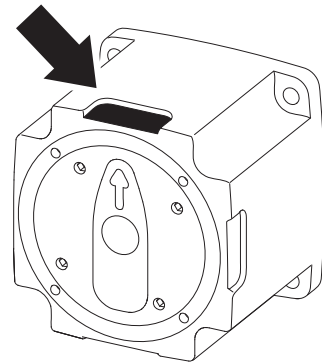
Om het eerste koppel 1 in te stellen, verdraai de schakelaar naar verwijzingssteken 1 op het huis. Bekijk aandachtig de info naast het verwijzingssteken 1 hoe het koppel kan ingesteld worden. Idem dito voor koppel 2 tot 4.



cs000800



cs001040

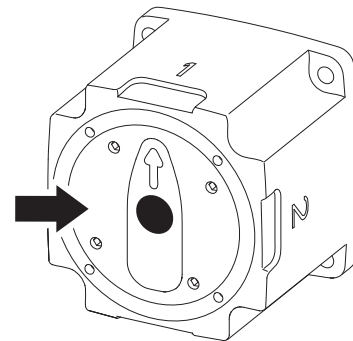


cs001050

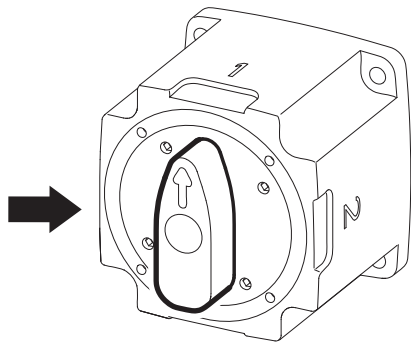
Als geheugensteuntje breng je de koppeldata op de vier posities aan.

Werkinstructies: aanhaalmoment selecti

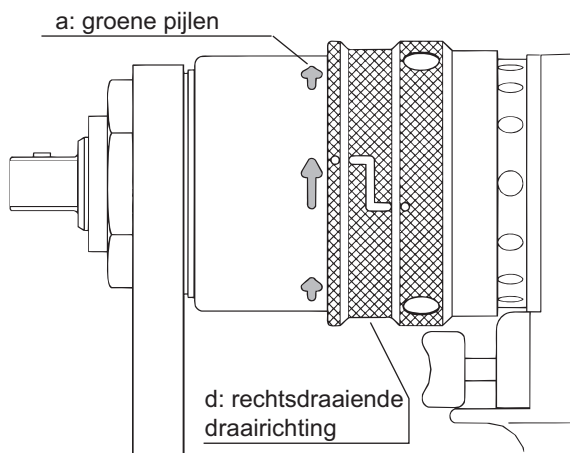
Druk op de zwarte knop in midden van de schakelaar en verdraai deze schakelaar naar de gewenste aanhaalmoment positie. Daarna druk de zwarte knop terug in.



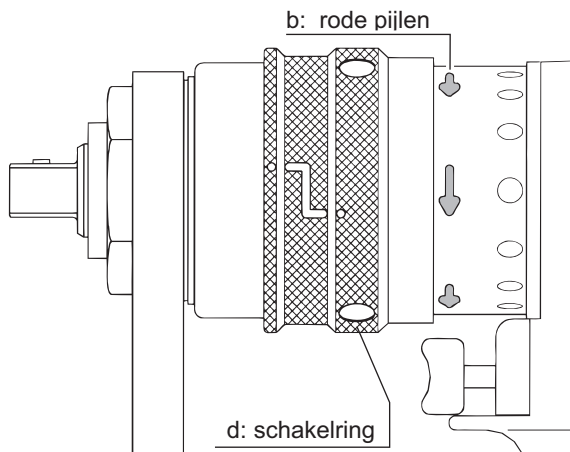
cs000810



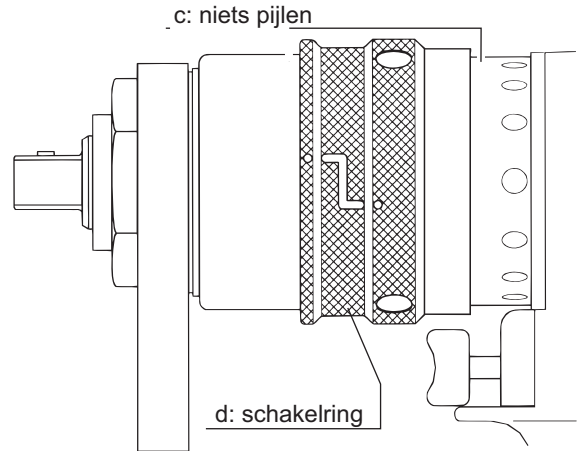
Stand van de versnellingsring - rechtsdraaiende draairichting



Stand van de versnellingsring - linksdraaiend draairichting




Stand van de versnellingsring - midden draairichting



Instructies om te schakelen van links naar rechtsdraaiend

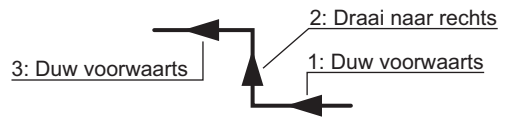
Daar er geen automatische terugkeer mechanisme van de schakelring aanwezig is op het toestel, moet steeds gecontroleerd worden of deze ring in de links of rechtsdraaiende stand staat.

WAARSCHUWING



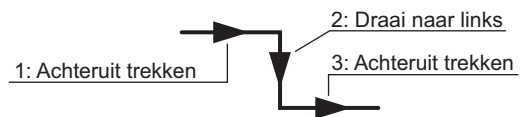
Nooit schakelen bij draaiende motor.
 Nooit het toestel starten bij schakelring in middelste positie.
 Verschuif de schakelring naar voor of achter.

De rode pijl verwijst naar de draairichting van de uitgaande as. In dit geval is het linksdraaiend : losschroeven



Echter verwijzen de groene pijlen naar de rechtsdraaiende draairichting: vastschroeven. Het is niet nodig om de schakelring vast te houden bij het vastschroefproces.

Bij terug schakelen naar rechtsdraaiende positie, trek de ring achteruit – links – achteruit, zie afbeelding onderaan.



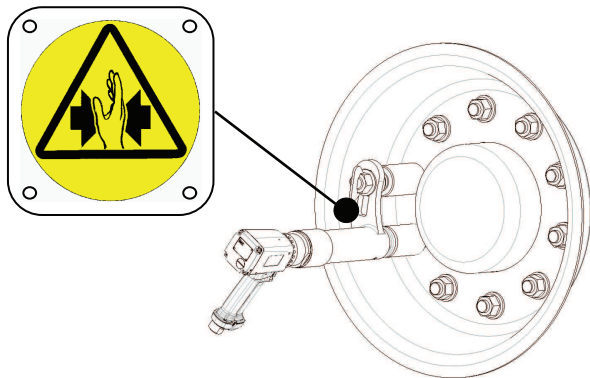
De groene pijlen verwijzen naar de rechtsdraairichting. Het is niet voldoende de schakelring vast te houden.

Verlengde reactiearm met een fixeerbuis

Stel de middelpunt afstand tussen de krachtdop en fixeerbuis in.

Controleer of de fixeerbuis correct past naast de reactiearm en perfect past op één van de bouten/moeren (dit om loskomen te vermijden).

Zet de reactiearm in de gewenste positie in alvorens te starten met het schroefproces.



cs001020

Onderhoud

Voor maximale prestaties

Om maximum prestaties en probleemloos bedrijf te garanderen moet het gereedschap regelmatig worden gesmeerd. De motor moet met olie worden gesmeerd, druppels olie moeten bijvoorbeeld aan de gecompriëerde lucht worden toegevoegd of direct in de luchtinlaat worden ingebracht.

De starter, planetairtandwielen, nadellagers en kogellagers moeten bij de normale revisie van het gereedschap met vet worden gesmeerd.

Het hoektandwiel en de koppeling moeten worden gesmeerd met vet dat molybdenumsulfide bevat, bij. Molykote BR2 Plus of een ander gelijkwaardig merk.

Gebruik smeermiddelen van goede kwaliteit. De oliën en vetten die vermeld zijn in de tabel zijn voorbeelden van aanbevolen smeermiddelen.

Bescherming tegen roest en reiniging van het inwendige van de machine.

Water in de perslucht, stof en afgesleten deeltjes veroorzaken roest en het vastkleven van schoepen, kleppen enz. Breng zo dicht mogelijk bij de machine een luchtfilter aan (zie "Luchtkwaliteit").

Onderhoudsinstructies

Revisie en preventief onderhoud is aanbevolen bij geregelde intervallen eenmaal per jaar of na maximaal 250.000 aandraai bewerkingen afhankelijk van wat zich het eerst voordoet. Een frequentere revisie kan nodig zijn, indien gebruikt bij hoog koppel en een lange aandraaitijden. Als de machine niet goed werkt, moet ze onmiddellijk uit productie genomen worden voor inspectie.

Het filter in de luchtinlaat en de uitlaatdemper moeten geregeld gereinigd of vervangen worden om verstopping te vermijden, waardoor de capaciteit vermindert.

Bij de reparaties moeten alle onderdelen zorgvuldig schoongemaakt worden en moeten defecte of versleten onderdelen (nl. O-ringen, schoepen) worden vervangen.

Demontage / montage

Het is belangrijk dat de schroefdraadverbindingen van de machine degelijk zijn aangehaald, d.w.z. overeenkomstig de specificaties op de explosietekeningen.

- ⓘ Vóór de montage alle schroefdraden met vet insmeren. Bij de montage: alle O-ringen met vet insmeren.

Reiniging

Reinig alle onderdelen grondig met white spirit of met een gelijkaardig reinigingsmiddel. Om verstopping en een vermindering

van het vermogen te vermijden, kan het nodig zijn de filter (indien gebruikt) en de uitlaatfilter tussen de revisies in te reinigen.

Inspectie

Inspecteer alle onderdelen na de reiniging. Beschadigde en versleten onderdelen moeten worden vervangen.


Smeren

Smeer vooral de tandwielen, de klep en de koppeling met vet dat molybdeendisulfide bevat (b.v. Molykote BR2 Plus). Zie de explosietekeningen en de fig. onder Onderhoudsinstructies.

Smeergids Moeraazetter

Merk	Lagers (algemene doeleinden)		Vrijwielunit (tandwielen/tandwielaars)	Vrijwiel
BP	Energerease LS-EP2			Energerease LS-EP2
Castrol	Speherol EP L2			
Esso	Beacon EP2			Beacon EP2
Q8	Rembrandt EP2			Rembrandt EP2
Mobil	Mobilegrease XHP 222			
Shell	Alvania EP2			Alvania EP2
Texaco	Multifak EP2			
Molycote				
Lubricating			Suntemp LE 9102	
STP			Oil treatment	

Merk	Overbrengingen	Luchtsmering
Bp		Energol E46
Castro		
Esso		AroxEP46
Q8		Chopin 46
Mobil		Almo oil 525
Shell		Torcula 32
Texaco		Aries 32
Molycote	BR2 Plus	

Part no	8940166747	
Issue no	1	
Series no	1	
Date	2010-01	
Page	50	

Veiligheidsvoorschriften

Waarschuwing

Zorg ervoor vertrouwd te zijn met de bedieningsinstructies alvorens deze machine te gebruiken.

Deze machine, de hulpstukken en het toebehoren mogen alleen worden gebruikt voor het doel waarvoor ze werden ontworpen.

Alle plaatselijke wettige veiligheidsregels betreffende installatie, bediening en onderhoud moeten altijd in acht worden genomen.

Laat de installatie en het onderhoud enkel over aan bevoegd personeel.

Alvorens de machine af te regelen (b.v. vervangen van doppen), dient u de luchttoevoer naar de machine af te sluiten.

Controleer de draairichting alvorens de machine te gebruiken.

Bedieners van moeraanzetters met een reactiestang dienen bijzonder op te letten om letsels te vermijden door knijpen. Uit veiligheidsoverwegingen: laat nooit iemand de machine bedienen tenzij hij opgeleid is en goed vertrouwd met de werking van de machine in verschillende omstandigheden. Zie sectie met hoofding "Reactiestang".

De machine mag alleen worden gebruikt met de passende reactiestang, aangepast aan de te maken schroefverbinding. Zie ook de instructies onder de hoofding "Reactiestang".

Plaats uw hand nooit op of dicht tegen de reactiestang tijdens het gebruik van de machine.


Controleer of de krachtdop goed is bevestigd – vervang zo nodig de houder of de borgpen. Vervang ook versleten krachtdoppen.

Als u een ophangbeugel gebruikt, controleer dan of die in goede staat is en behoorlijk is bevestigd.

Blijf met handen, lang haar en losse kleding van de draaiende dop verwijderd.

CP GARANTIEVOORWAARDEN

- 1) Dit CP-product is gedurende 12 maanden gegarandeerd tegen materiaal en/of constructiefouten, op voorwaarde dat het gedurende die tijd alleen in enkelvoudige ploegbediening wordt gebruikt. Indien het gebruik enkelvoudige ploegbediening overtreft, dan wordt de garantietermijn naar verhouding verkort. Deze garantie zal ingaan op de dag dat het aangekochte CP-product geleverd wordt door ofwel CP of een van haar officieel erkende agenten.
- 2) Indien het CP-product gedurende de garantie-periode gebreken vertoont ten gevolge van een materiaal- en/of constructiefout, dient het CP-product binnen de garantietermijn met een korte beschrijving van het defect te worden geretourneerd naar CP of een van haar officieel erkende agenten. CP zal op haar beurt de artikelen die gebreken vertonen ten gevolge van een materiaal- en/of constructiefout herstellen of vervangen.
- 3) Om aanspraak te kunnen maken op garantie zullen periodiek onderhoud en/of herstellingen steeds uitgevoerd moeten zijn door CP en/of haar officieel erkende agenten. De garantie komt te vervallen indien de CP-producten misbruikt worden, op onjuiste wijze gebruikt worden, door een ongeval beschadigd worden, veranderd zijn of indien ze gerepareerd of onderhouden zijn door een niet door CP-erkende reparateur en/of met niet-originele CP-onderdelen.
- 4) In alle gevallen bedoeld in artikel 4 zullen de onkosten (met inbegrip van de arbeidskosten) gemaakt door CP worden gefactureerd. Ingeval de klant om herstelling vraagt zal deze eveneens worden gefactureerd.
- 5) CP zal niet aansprakelijk zijn voor eventuele directe of indirecte schade (zoals met name tijdverlies, commerciële schade, administratieve kosten, enige vorm van schadevergoeding), behoudens hetgeen wordt voorzien in het hierboven vermelde artikel 3.
- 6) Deze garantie wordt gegeven in plaats van alle andere garanties of voorwaarden met betrekking tot de kwaliteit, verkoopbaarheid of geschiktheid voor enig bepaald doel.
- 7) Geen enkel persoon, met inbegrip van agenten en werknemers van CP, heeft het recht om iets aan de voorwaarden van deze beperkte garantie toe te voegen of deze op enigerlei wijze te veranderen.
- 8) Niemand, met inbegrip van vertegenwoordigers en werknemers van CP, heeft het recht om iets aan de voorwaarden van deze beperkte garantie toe te voegen of deze op enigerlei wijze te veranderen.

Part no	8940166747	
Issue no	1	
Series no	1	
Date	2010-01	
Page	52	

INSTRUKTIONSMANUAL

Dette produkt er beregnet til installation og fjernelse af belfæstelseselementer med gevind i træ, metal og plastik. Ingen anden brug er tilladt. Kun til professionel brug.

Hovedkarakteristika

Momentområde	300-900 Nm
Tomgang	100 r/mn (tr/mn)
Arbejdstryk	3-7 bar
Lufforbrug	19 l/s (40CFM)
Vægt:	
CP7600 C	6.8 kg
CP7600 C-R	7.4 kg
CP7600 C-4P	7.1 kg
CP7600 C-R4P	7.7 kg

Støj- og vibrationsemission

Støj ifølge PN8NTC	dB(A)
Målt lydtrykniveau	79
Fastlagt lydeffektniveau	
Spredning i metode og produktion	3

Vibration ifølge ISO 8662-7	m/s ²
Målt vibrationsværdi	<2.5
Spredning i metode og produktion	

Specifikation af støj- og vibrationsudledning

Disse specificerede værdier er opnået ved laboratorieprøver under overholdelse af gældende standarder og er ikke dækkende for risikovurderinger. Værdier målt i aktuelle arbejdsmiljøer kan være højere end de angivne værdier. De faktiske eksponeringsværdier og risici for skader, der opleves af individuelle brugere, er unikke og afhænger af brugerens arbejdsform, arbejdsobjektet og arbejdspladsens udformning, såvel som eksponeringstid og brugerens fysiske tilstand.

Vi, CP kan ikke drages til ansvar for konsekvenserne af anvendelse af de specificerede data, istedet for værdier der afspejler den faktiske eksponering, i en individuel risikovurdering på en arbejdsplads vi ikke har kontrol over.

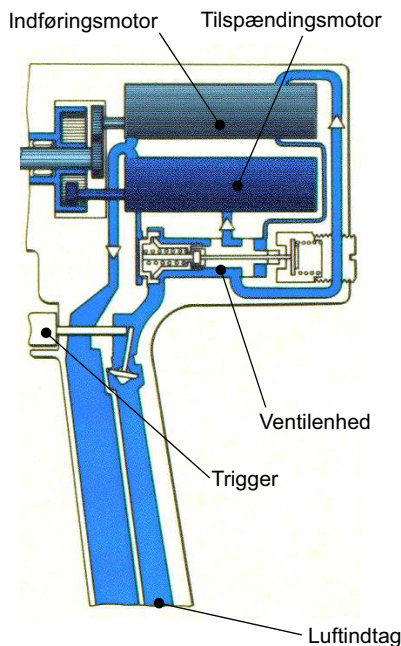
Copyright

© Copyright 2008, CP. Alle rettigheder forbeholdes. Indholdet eller dele deraf må ikke anvendes eller kopieres uden tilladelse. Dette gælder i særdeleshed varemærker, modelbetegnelser, delnumre og tegninger. Brug kun originale dele. Beskadigelse eller svigt som følge af brug af uoriginale dele er ikke dækket af garantien eller produktansvaret.

Princip

CP7600 er udstyret med en ventilenhed, som forener 2 nøglefunktioner:

at presse luften gennem de to trykluftsmotorer, og at lukke for værktøjets lufttilførsel.



Indføring

Når man trykker på triggeren strømmer luften gennem ventilenheden og presser luften gennem den roterende indføringsmotor. Denne motor driver et lavt udvekslingsforhold, som genererer høj hastighed og lavt drejningsmoment.

Motorskit

Efterhånden som drejningsmomentbelastningen på CP7600 udgangsdrivkraften øges, sætter indføringsmotoren farten ned, hvilket fører til højere lufttryk inden i motoren. Under dette højere tryk skubbes ventilen til en anden position.

Tilspænding

Derved drives luften gennem tilspændingsmotoren. Denne motor driver et højt udvekslingsforhold, som genererer lav hastighed og højt drejningsmoment.

Aflukning

I takt med at drejningsmomentbelastningen stiger, sætter tilspændingsmotoren farten ned, hvilket fører til højere lufttryk i motoren. Når dette lufttryk overstiger det justerede tryk i en fjeder, skubber det til et stempel i ventilenheden, som lukker for al lufttilførslen.

Justering af aflukningen

Fjedertrykket justeres ved kalibreringen af værktøjet. Et bestemt lufttryk (sædvanligvis 6,3 bar/90 psi) fører til et bestemt drejningsmoment.

ADVARSEL



Hvis lufttrykket ændres, påvirkes aflukningens opførsel. Hvis lufttrykket er højere end kalibreringslufttrykket, indtræffer aflukningen hurtigere, og drejningsmomentet vil være lavere end forventet. Det er meget vigtigt at lade CP7600 køre ved det lufttryk, der står på kalibreringscertifikatet, for at opnå det rette drejningsmoment.

Installation

Luftkvalitet

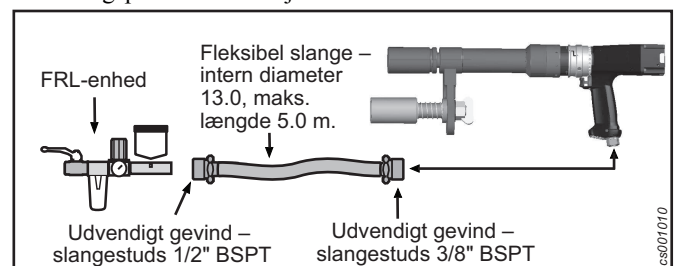
- Det anbefales at bruge trykluft med et dugpunkt mellem +2 °C og +10 °C for at opnå optimal ydelse og maksimal maskinlevetid. Det anbefales at installere en lufttørrer af nedkølingstypen.
- Brug et særskilt luftfilter, fjern faste partikler, som er større end 30 mikron og mere end 90 % af flydende vand. Installer filteret så tæt som muligt på maskinen, og før installationen af nogen anden luftbehandlingsenhed. Blæs slangen ud, før den tilsluttes.
- Trykluften skal indeholde en lille mængde olie. Det anbefales kraftigt at installere en olietåge-smøreanordning, som normalt indstilles til 3-4 dråber (50 mm³)/m³ luftforbrug for værktøj, der kører lange cyklusser, eller en lokaliseret smøreanordning til værktøj, der kører korte cyklusser.
- Hvad angår smørefrit værktøj er det ingen ulempe, hvis trykluften efter kundens valg indeholder en lille mængde olie fra en smøreanordning. En undtagelse er turbineværktøj, som skal holdes frit for olie. (se Luftledningstilbehør i vort hovedkatalog).

Tilslutning af trykluft

- Maskinen er konstrueret til et driftstryk (e) på 3-7 bar = 300-700 kPa = 87-102 psi.
- Blæs slangen ud, før den tilsluttes.

Anbefalet installation

For at sikre korrekt kapacitet af maskinen anbefales det kraftigt, at man følger det vedlagte installationsforslag fra luftnetværkets tilslutningspunkt til værktøjet.



Håndtering

Indstilling af tilspændingsmoment

Skruemaskinens tilspændingsmoment skal indstilles korrekt i forhold til skruesamlingen for at garantere nøjagtig drift og

Part no	8940166747
Issue no	1
Series no	1
Date	2010-01
Page	54

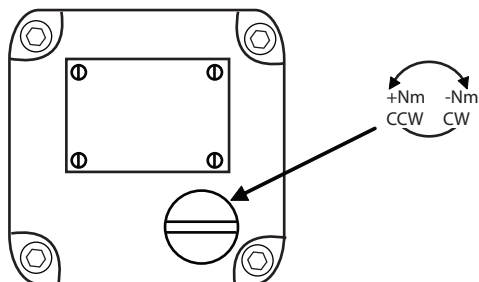
DA

sikkerhed. Kontroller tilspændingsmomentet af den pågældende samling.

Luftrykket tilført af FRL-enheden indstilles ifølge det tryk, der står på kalibreringscertifikatet, ved fri hastighed (med triggeren helt nedtrykket og skruemaskinen i tomgang uden belastning i et par sekunder), sædvanligvis 6,0 – 6,3 bar.

Enkelmomentvælger

Juster momentindstillingen ved hjælp af justeringsknappen. Momentet øges, når skruen drejes mod urets retning. Efter justeringen kontrolleres tilspændingsmomentet af den pågældende samling.

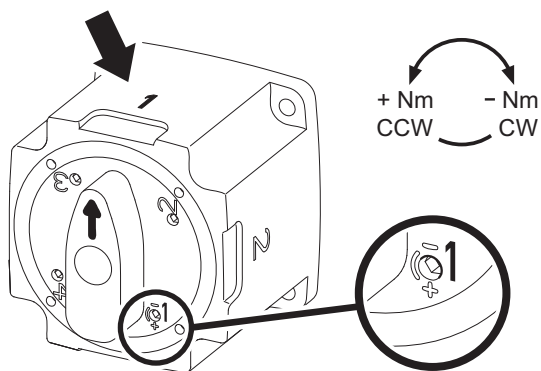


cs000850

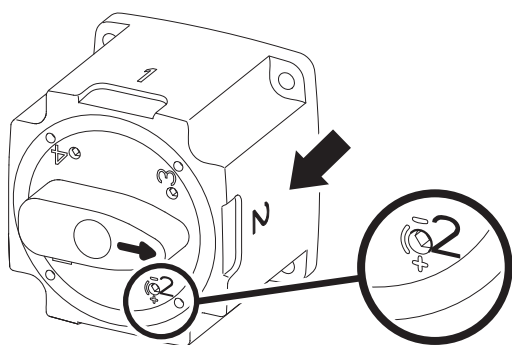
ⓘ Hvis der sker en afbrydelse ved høj omdrejningshastighed, som forårsager høj momentspredning, anbefales det at reducere luftrykket.

Vælger med 4 positioner

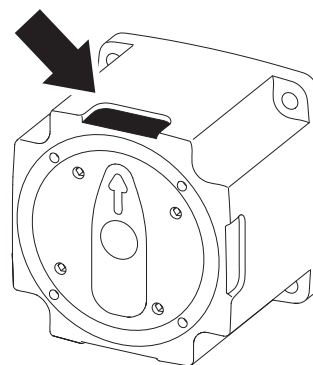
Drej drejeomskifteren til referencepunktet på huset for at indstille drejningsmoment 1. Indstil justeringsskruen 1. Se mærket på omskifteren for at øge/mindske drejningsmomentet. Drej drejeomskifteren til referencepunktet på huset for at indstille drejningsmoment 2. Indstil justeringsskruen 2.



cs000800



cs001040

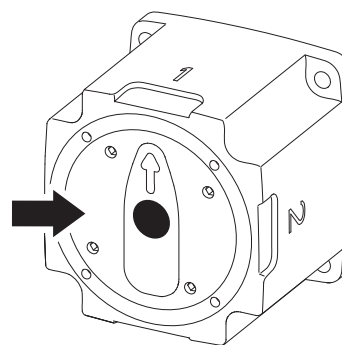


cs001050

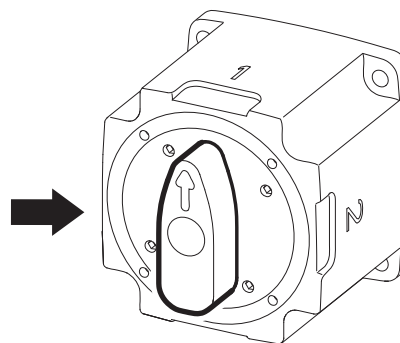
Husk dine drejningsmomentindstillinger ved at anbringe dine egne mærker på de fire områder på huset.

Driftsinstruktioner Valg af tilspændingsmoment

Tryk på den sorte knap. Flyt drejeomskifteren til den ønskede position. Tryk drejeomskifteren ind igen.



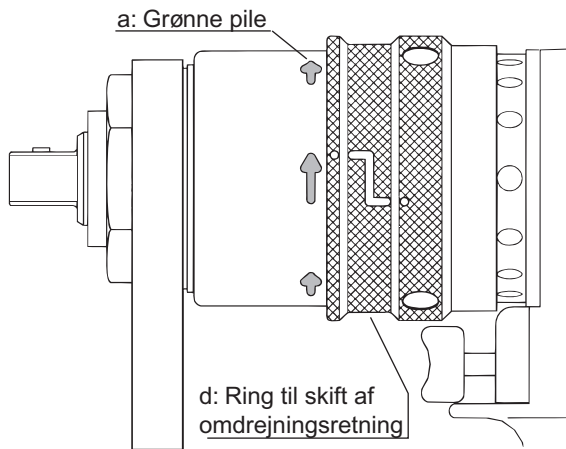
cs000810



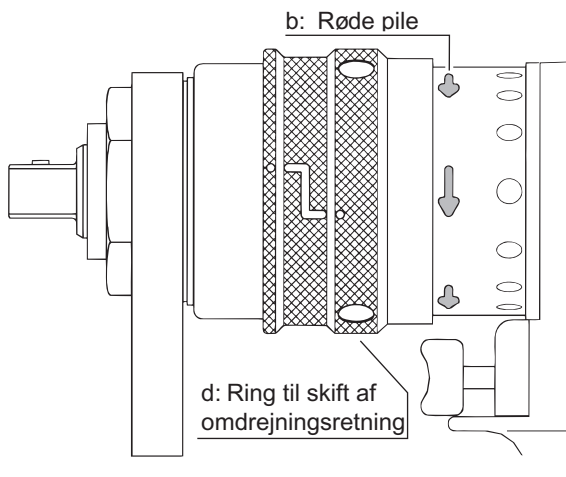
cs001060



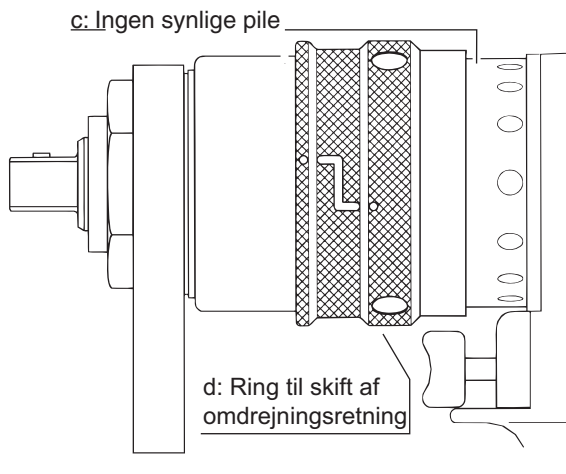
Position af ringen til skift af omdrejningsretning – position for omdrejning med uret



Position af ringen til skift af omdrejningsretning – omdrejning mod uret



Position af ringen til skift af omdrejningsretning – midterposition



Instrukser for reversering

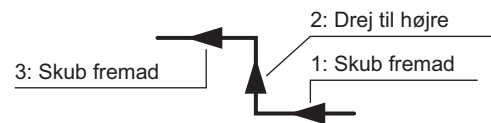
Eftersom ringen til skift af omdrejningsretning ikke automatisk vender tilbage til en bestemt position skal man altid kontrollere før man begynder, at skifteringen enten befinder sig i positionen med eller mod uret med alle pilene klart synlige.

ADVARSEL



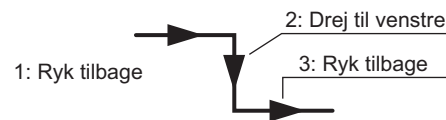
Skift aldrig omdrejningsretning, mens maskinen kører.
Start aldrig maskinen, mens skifteringen står i midterpositionen.

Tag fat i skifteringen med hånden, og flyt den fremad – til højre – fremad; se figuren herunder.



De røde pile angiver omdrejningsretningen. Dvs. at maskinen vil køre i modsat retning af uret, når den startes.

Når man skifter tilbage til positionen i urets retning, skal man trække ringen tilbage – til venstre – tilbage; se figuren herunder.



De grønne pile angiver omdrejningsretningen, dvs. at maskinen vil køre i retning med uret, når den startes. Det er ikke nødvendigt at fastholde ringen i positionerne med hånden.

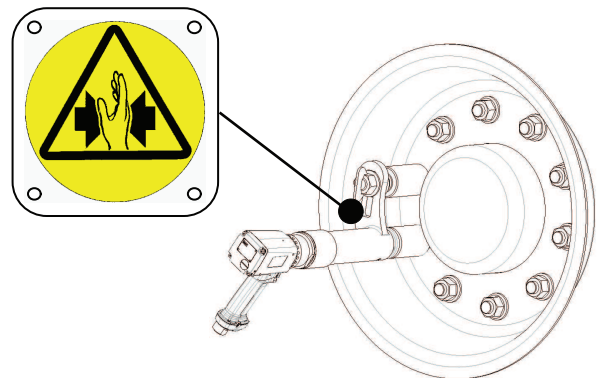
Placering af forlænget reaktionsarm med fjederbelastet rør

Juster afstanden fra midten af fatningen til midten af det fjederbelastede rør i henhold til spændemøtrikkerne.

Kontroller at det fjederbelastede rør er solidt fastgjort på reaktionsarmen.

Anbring reaktionsstangen i den ønskede position, før maskinen startes.

Reaktionsarmen skal ubetinget dreje rundt om navet.



Part no	8940166747
Issue no	1
Series no	1
Date	2010-01
Page	56



Vedligeholdelse

For maksimal ydelse

Det er vigtigt at smøre regelmæssigt for at opnå maksimal ydelse og problemfri drift. Motoren skal smøres med olie; dvs. at der kan dryppes oliedråber enten i tryklufften eller direkte i luftindtaget.

Triggeren, planetgearene, nålelejerne og kuglelejerne skal smøres med smørefedt ved maskinens regelmæssige eftersyn.

Vinkelgearet og koblingen skal smøres ved hjælp af smørefedt indeholdende molybdendisulfid: Molykote BR2 Plus, for eksempel, eller et lignende mærke.

Brug smøremidler af god kvalitet. Olier og smørefedt nævnt i skemaet er eksempler på anbefalede smøremidler.

Rustbeskyttelse og indvendig rengøring

Vand i tryklufften, støv og slidpartikler forårsager rust og fastkørsel af vinger, ventiler osv. Der bør installeres et luftfilter i nærheden af maskinen (se "Luftkvalitet").

Serviceinstruktioner

Det anbefales at foretage grundigt eftersyn og forebyggende vedligeholdelse med jævne mellemrum en gang om året eller efter maks. 250.000 tilspændinger afhængigt af, hvad der indtræffer først. Det kan være nødvendigt med hyppigere eftersyn, hvis maskinen benyttes ved højt drejningsmoment og med længerevarende tilspændinger. Hvis maskinen ikke fungerer korrekt, skal den straks tages ud af brug og efterses. Sugiesien ved luftindtaget og lyddæmperen skal rengøres hyppigt eller udskiftes for at forebygge tilstopning, som nedsætter kapaciteten.

Ved eftersynene skal alle dele rengøres grundigt, og defekte eller slidte dele (f.eks. O-ringe, vinger) skal udskiftes.

Demontering / montering

Det er vigtigt, at maskinens gevindskårne forbindelser tilspændes korrekt, dvs. i overensstemmelse med specifikationerne i de eksploderede oversigter.

Smør o-ringe og gevindskårne forbindelser med smørefedt før montering.

Rengøring

Rens alle dele grundigt med mineralsk terpentin eller et lignende rengøringsmiddel. Det kan være nødvendigt at rense sugiesien (hvis den anvendes) og udstødningsfilteret mellem eftersynene for at forhindre tilstopning og nedsat kraft.

Inspektion

Efter rengøring inspiceres alle dele. Beskadigede og slidte dele skal udskiftes.

Smøring

Smør især tandhjulsvækslinger, ventil og kobling med smørefedt indeholdende molybdendisulfid (f.eks. Molykote BR2 Plus). Se venligst de eksploderede oversigter og figurer under Serviceinstruktioner.

Smørevejledning for skruemaskiner

Mærke	Lejer (generelt formål)	Frihjulsenhed (tandkrans og tandhjul)	Frihjul
BP	Energrease LS-EP2		Energrease LS-EP2
Castrol	Spheerol EP L2		
Esso	Beacon EP2		Beacon EP2
Q8	Rembrandt EP2		Rembrandt EP2
Mobil	Mobilegrease XHP 222		
Shell	Alvania EP2		Alvania EP2
Texaco	Multifak EP2		
Molycote			
Lubricating		Suntemp LE 9102	
STP		Oil treatment	

Mærke	Tandhjulsvækslinger	Air smøring
Bp		Energol E46
Castro		
Esso		AroxEP46
Q8		Chopin 46
Mobil		Almo oil 525
Shell		Torcula 32
Texaco		Aries 32
Molycote	BR2 Plus	



Sikkerhedsinstruktioner

Advarsel

Sørg for at sætte dig ind i driftsinstruktionerne, før du anvender denne maskine.

Maskinen og dens eventuelle udstyr og tilbehør må aldrig anvendes til andre formål end de angivne.

Alle sikkerhedsregler vedrørende installation, drift og vedligeholdelse i den lokale lovgivning skal til enhver tid overholdes.

Overlad udelukkende installation og løbende vedligeholdelse til faglært personale.

Før eventuelle justeringer (f.eks. skift af fatninger) skal maskinen afbrydes fra trykluftslangen.

Kontroller omdrejningsretningen, før maskinen tages i brug.

Operatører af skruemaskiner med momentreaktionsstang skal være særligt forsigtige for at undgå skader på grund af klemning. Af sikkerhedsårsager må man aldrig overlade betjeningen af maskinen til en person, som ikke er oplært og fortrolig med maskinens funktionsmåde under varierende omstændigheder. Se afsnittet under overskriften "Reaktionsstang". Maskinen må kun anvendes sammen med den dertil hørende momentreaktionsstang, som er tilpasset til den pågældende skruesamlingsanvendelse. Se også instruktionerne under overskriften "Reaktionsstang".

Maskinen må kun anvendes sammen med den dertil hørende momentreaktionsstang, som er tilpasset til den pågældende skruesamlingsanvendelse. Se også instruktionerne under overskriften "Reaktionsstang".

Sæt aldrig hånden på eller tæt ved reaktionsstangen, når maskinen er i brug.

Kontroller, at strømstikket er ordentligt fastgjort. Udskift låsestiften, når det er nødvendigt. Udskift også eventuelle slidte fatninger.

Hold hænder, langt hår eller andre genstande på afstand af den roterende fatning.

Når der anvendes et ophængningsåg skal man kontrollere, at det er i god stand og korrekt fastgjort.

CP GARANTI

- 1) Dette CP produkt er garanteret mod defekt udførelse eller materiale for en periode på maksimalt 12 måneder efter den dato, det blev indkøbt fra CP eller dennes agenter, forudsat dets brug begrænses til enkeltholdsdrift under hele denne periode. Hvis brugen overstiger enkeltholds-driftniveau, vil garantiperioden blive reduceret på pro rata basis.
- 2) Hvis produktet forekommer af være defekt med hensyn til udførelse eller materiale indenfor garantiperioden, skal det returneres til CP, eller dennes agenter, sammen med en kort beskrivelse af den anførte defekt. CP vil efter eget skøn arrangere enten reparation eller udskiftning af sådanne dele, som anses for defekte, enten på grund af defekt udførelse eller materialer.
- 3) Denne garanti vil ophøre med at være gældende for produkter, som er blevet misbrugt, brugt forkert eller modificeret, eller er blevet repareret med reservedele, som ikke er originale CP reservedele eller af andre end CP, eller dennes autoriserede service-agenter.
- 4) Hvis CP skulle pådrage sig nogen som helst udgifter i forbindelse med korrigerende af en defekt, som skyldes misbrug, forkert brug, hændeligt uheld eller uautoriseret modificering, vil CP kræve at sådanne udgifter bliver godtgjort fuldt ud.
- 5) CP accepterer ikke noget krav for arbejds løn eller andre udgifter i forbindelse med defekte produkter.
- 6) Alle direkte, tilfældige eller deraf følgende skader, som stammer fra nogen som helst defekter, er udtrykkeligt udelukket.
- 7) Denne garanti gives i stedet for alle andre garantier, eller betingelser, udtrykkelige eller underforståede, med hensyn til kvaliteten, salgbarheden eller egnetheden for noget som helst specielt formål.
- 8) Ingen personer, hvad enten en CP agent, -underkontrahent eller -ansat, er autoriseret til at tilføje til eller modificere betingelserne i denne begrænsede garanti på nogen som helst måde.

BRUKERMANUAL

Dette produktet er designet for å installere og fjerne festanordninger i tre, metall og plast. Ingen annen bruk er tillatt. Bare for profesjonell bruk.

Hovedegenskaper

Område for dreiemoment	300-900 Nm
Fri hastighet	100 r/mn (tr/mn)
Arbeidstrykk	3-7 bar
Luftforbruk	19 l/s (40CFM)
Vekt:	
CP7600 C	6.8 kg
CP7600 C-R	7.4 kg
CP7600 C-4P	7.1 kg
CP7600 C-R4P	7.7kg

Støy- og vibrasjonsemisjoner

Støy iht. PN8NTC	dB(A)
Målt lydtryknivå	79
Fastlagt lydnivå	
Spredning iht. metode og produksjon	3

Vibrasjon iht. ISO 8662-7	m/s ²
Målt vibrasjonsverdi	<2.5
Spredning iht. metode og produksjon	

Erklæring om lyd- og vibrasjonsutslipp

Disse erklærte verdiene er ervervet i laboratoriumstesting i overensstemmelse med de satte standardene og er ikke tilstrekkelige for bruk i risikovurderinger. Målte verdier på individuelle arbeidsplasser kan være høyere enn de erklærte verdiene. De faktiske eksponeringsverdiene og skaderisikoer som en individuell bruker er utsatt for er unike og avhenger av hvordan brukeren arbeider, arbeidsstykket og arbeidsstasjonens design, og også av eksponeringstiden og den fysiske tilstanden til brukeren.

Vi, CP, kan ikke holdes ansvarlige for konsekvensene av bruk av de erklærte verdiene, istedenfor bruk av verdier som reflekterer den virkelige eksponeringen, i en individuell risikovurdering i en situasjon på arbeidsplassen som vi ikke har kontroll over.

Part no	8940166747
Issue no	1
Series no	1
Date	2010-01
Page	60



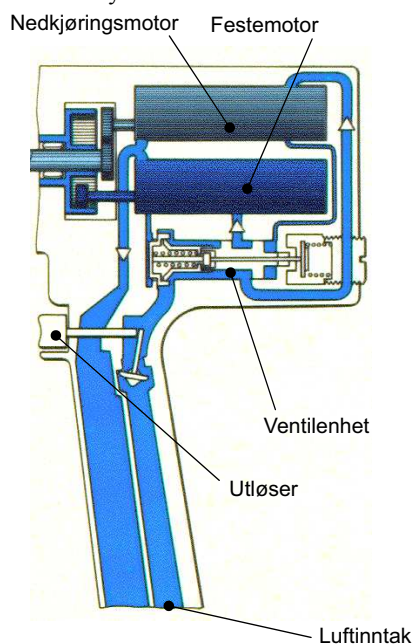
Copyright

© Copyright 2008, CP. Alle rettigheter forbeholdes. All ikke-autorisert anvendelse eller kopiering av innhold eller deler av dette, er forbudt. Dette gjelder spesielt varemerker, modellbetegnelser, delenummer og tegninger. Bruk kun originaldeler. Skader eller funksjonsforstyrrelser som følge av at uoriginale deler er blitt brukt, omfattes ikke av garantien eller fabrikantens produktansvar.

Prinsipp

På innsiden av CP7600 kombinerer en ventilenhet 2 hovedfunksjoner:

Presse luften gjennom de to pneumatiske motorene og stenge lufttilførselen til verktøyet.



cs000870

Nedkjøring

Når du trekker i utløseren, strømmes luften gjennom ventilenheten ved å drive luften gjennom nedkjøringsmotoren som roterer. Denne motoren driver et lavforholdsgir som generer høy hastighet og lavt dreiemoment.

Motorbryter

Ettersom dreiemomentbelastningen som brukes på utgangsdrevet til CP7600 økes, senker nedkjøringsmotoren farten. Dette fører til høyere trykk inne i motoren. Under høyt trykk skyves ventilen til en annen posisjon.

Stramming

Luften drives da gjennom strammemotoren. Denne motoren driver et høyforholdsgir som generer lav hastighet og høyt dreiemoment.

Automatisk avstengning

Ettersom dreiemomentbelastningen fortsetter å øke, senker nedkjøringsmotoren farten. Dette fører til høyere trykk inne i motoren. Når dette lufttrykket overskrider det fjærjusterte trykket, skyves et stempel i ventilenheten som stenger av hele lufttilførselen.

Justering av automatisk avstengning

Fjærens trykkinnstillinger justeres når du kalibrerer verktøyet. Et spesifikt lufttrykk (normalt 6,3 bar / 90 psi) fører til et spesifikt dreiemoment.

ADVARSEL



En endring i lufttrykket påvirker oppførselen til den automatiske avstengningen. Hvis lufttrykket er høyere enn kalibreringslufttrykket, settes automatisk avstengning igang på et tidligere tidspunkt og dreiemomentet vil bli lavere enn forventet. Det er veldig viktig å kjøre CP7600 med lufttrykket angitt på kalibreringssertifikatet for å få riktig dreiemoment.

Installasjon

Luftkvalitet

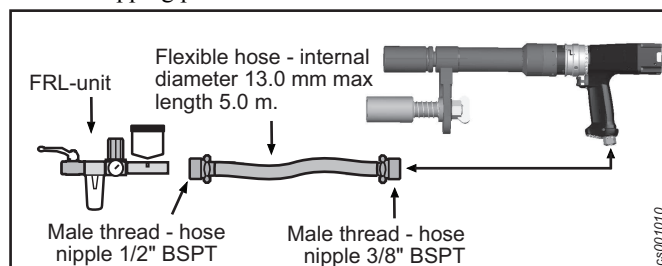
- For optimal ytelse og maksimal levetid anbefaler vi bruk av komprimert luft med et duggpunkt på mellom +2° C og +10° C. Installasjon av en lufttørker av kjøletypen anbefales.
- Bruk et separat luftfilter, fjern fastpartikler som er større enn 30 mikroner og mer enn 90 % væskeinnhold. Installerer så nær maskinen som mulig, og før andre luftenheter. Blås ut slangen før du kobler til.
- Den komprimerte luften må inneholde små mengder olje. Vi anbefaler sterkt at du installerer et oljetåke-smøreapparat som stilles inn på 3-4 dråper (50mm³) for normalt luftforbruk for langsyklus kjørende verktøy, eller et enkeltstående smøreapparat for kortsyklus kjørende verktøy.
- Med hensyn til smørefrie verktøy er det ikke en bakdel fra kundens ståsted hvis den komprimerte luften inneholder en liten mengde olje slik som smøreapparatet tilfører. Et unntak er turbinverktøy som må holdes oljefrie. (se Lufttilførselstilbehør i hovedkatalogen vår).

Komprimert luftforbindelse

- Maskinen er designet for et arbeidstrykk (e) på 3–7 bar = 300–700 kPa = 87–102 psi.
- Blås ut slangen før du kobler til.

Recommended installation

To ensure correct capacity of the machine, we strongly recommend you to follow the enclosed installation proposal from the air network tapping point to the tool.



cs001010

Håndtering

Oppsett for dreiemomentstramming

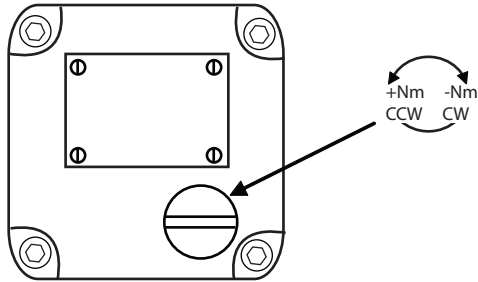
Dreiemomentstrammingen til mutterstrekkeren må stilles riktig inn i forhold til skruforbindelsen. Kontroller strammemomentet som er oppgitt på respektiv forbindelse.



Lufttrykket levert av FRL-enheten er stilt inn iht. trykket angitt på kalibreringssertifikatet ved fri hastighet (utløser er helt nedtrykt og muttertrekkeren kjører fritt uten belastning i noen sekunder), normalt 6,0 - 6,3 bar.

Velger for enkelt dreiemoment

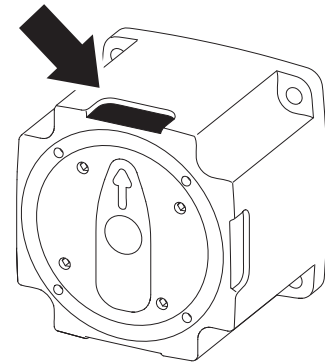
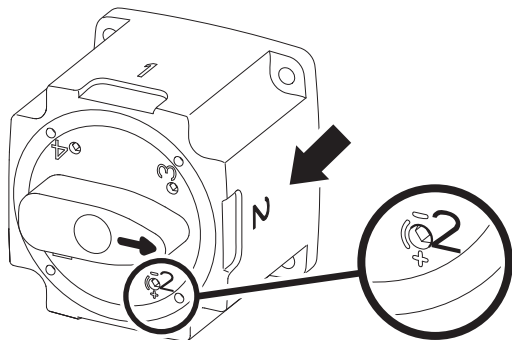
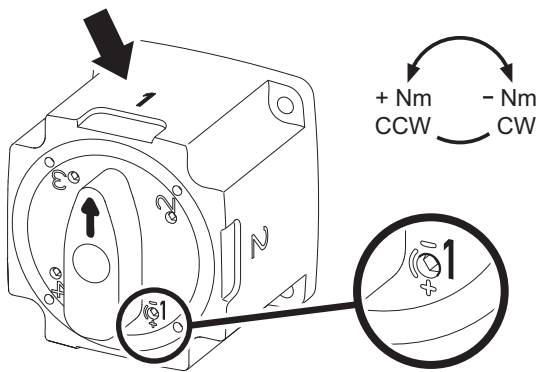
Juster dreiemomentinnstillingene ved hjelp av justeringsnøkkelen. Dreiemomentet økes når du skrur skruen mot klokken. Kontroller strammemomentet som er oppgitt på respektiv forbindelse etter justering.



- ⓘ Hvis automatisk avstengning skjer ved høy hastighet og forårsaker høy dreiemomentspredning, anbefales det å redusere trykket.

Velger for fire posisjoner

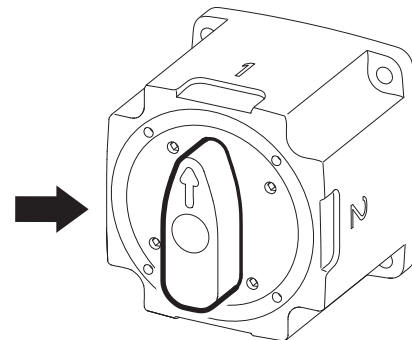
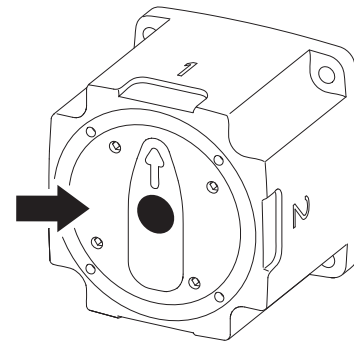
Vri dreiebryteren til ref.merket på kapslingen for å stille inn Dreiemoment 1. Still inn justeringsskruen 1. Se merket på bryteren for hvordan øke/minke dreiemomentet. Vri dreiebryteren til ref.merke 2 på kapslingen for å stille inn Dreiemoment 2. Still inn justeringsskruen 2.



Husk dreiemomentsinnstillingene dine ved å plassere dine egne markeringer på de fire områdene på kapslingen.

Bruksveiledning Valg av dreiemoment

Trykk den sorte knappen. Vri dreiebryteren til ønsket posisjon. Trykk dreiebryteren tilbake på plass.



cs001050

e000850

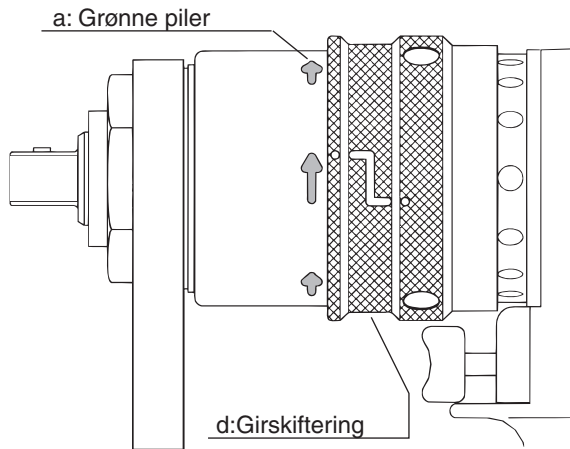
cs000810

cs000800

cs001060

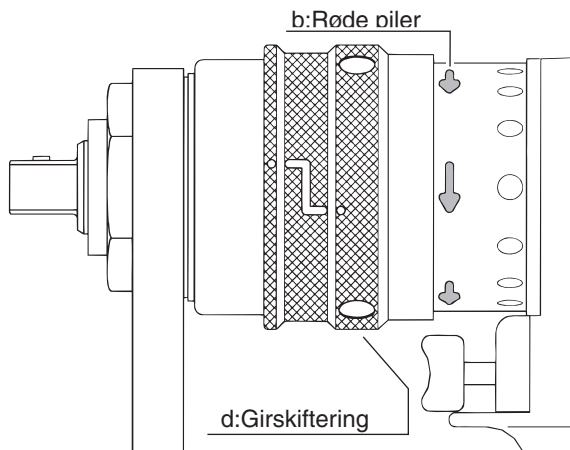
cs001040

Posisjonen til girskifteringen - girposisjon med klokken



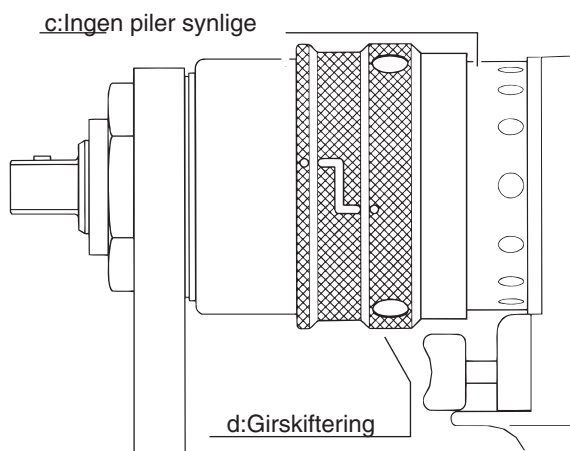
cs000940

Posisjonen til girskifteringen - girposisjon mot klokken



cs000950

Posisjonen til girskifteringen - midtgirposisjon



cs000960

Veiledning for revers

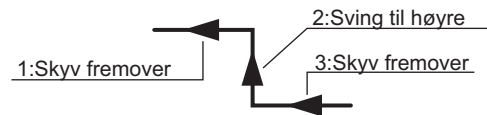
Ettersom girskiftet ikke returner automatisk til en bestemt posisjon, skal du alltid sjekke før du starter at girskiftet er i posisjon med klokken eller mot klokken med alle pilene helt synlige.

ADVARSEL



Du skal aldri skift gir med maskinen igang.
Du skal aldri starte maskinen når girskiftet står i midtposisjonen.

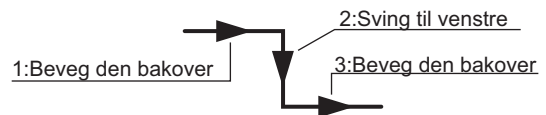
Ta tak i girskifteringen for hånd og beveg den fremover - høyre - fremover, se fig. under.



cs000970

De røde pilene angir kjøretretningen, dvs. maskinen vil kjøre mot klokken når du starter den.

Når du skifter tilbake til posisjonen med klokken, skyv ringen tilbake - venstre - tilbake, se fig. under.



cs000980

De grønne pilene angir kjøretretningen, dvs. maskinen vil kjøre med klokken når du starter den. Det ikke nødvendig å holde ringen i begge posisjonene for hånd.

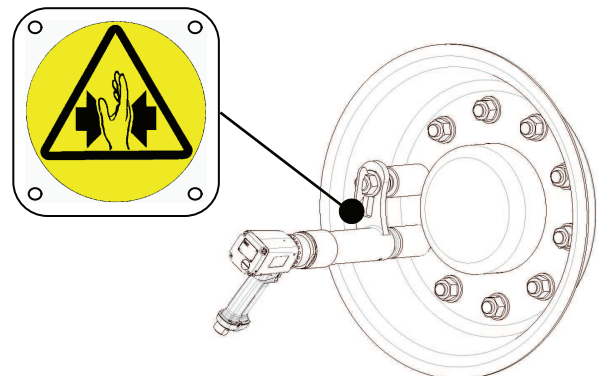
Utvidet reaksjonsarm med fjærbelastet rørposisjonering

Juster senter-til-senter-avstanden mellom sokken og fjærbelastet rør iht. mutrene som skal strammes/slakkes.

Kontroller at det fjærbelastede røret er stramt tilpasset langs reaksjonsarmen.

Bruk reaksjonsarmen i den ønskede posisjonen før du starter maskinen.

Reaksjonsarmen må dreies helt rundt muffen.



cs001020

Vedlikehold

For maksimal ytelse

Det er viktig å smøre regelmessig for å få maksimal ytelse og problemfri drift. Motoren skal smøres med olje, dvs. oljedråper

kan forsynes enten i den komprimerte luften eller direkte inn i luftinntaket. Utløseren, planetgirene, nålelagrene og kulelagrene skal smøres med fett under regelmessig overhaling av maskinen.

Vinkelgiret og clutchen må smøres ved hjelp av fett som inneholder molybdendisulfid: For eksempel Molykote BR2 Plus, eller tilsvarende.

Bruk bare smøremidler av høy kvalitet. Oljen og smørefettet som oppgis her i tabellen er eksempler på smøremidler som er anbefalte.

Rustbeskyttelse og innvendig rengjøring

Vann i den komprimerte luften, støv og slitasjepartikler forårsaker rust og får lamellene, ventilene, etc. til å sette seg fast. Et luftfilter skal installeres i nærheten av maskinen (Se "Luftkvalitet").

Serviceveiledning

Overhaling og preventivt vedlikehold er anbefalt ved regelmessige intervaller én gang i året eller maksimalt etter 250 000 stramninger, avhengig av hva som inntreffer først. Hyppigere overhaling kan være nødvendig hvis maskinen brukes med høyt dreiemoment for stramming under lange perioder. Hvis maskinen ikke fungerer skikkelig, skal den umiddelbart bringes inn til inspeksjon.

Silekstruderen ved luftinntaket og eksoslyddemperen skal rengjøres regelmessig eller skiftes ut for å forhindre forstoppelse som forminsker kapasiteten.

Under overhaling skal alle delene gjøres grundig rene og defekte eller slitte deler (f. eks. O-ringer, lameller) skal byttes ut.

Montering / demontering

Det er viktig at maskinens gjengeforbindelser skrues fast på riktig måte, dvs. iht. til spesifikasjonene på perspektivsnittet.

 Smør o-ringer og gjengeforbindelser med fett før montering.

Rengjøring

Gjør alle delene grundig rene i white-spirit eller liknende rengjøringsmiddel. Det kan være nødvendig å gjøre ren silekstruderen (hvis denne brukes) og eksosfilteret mellom overhalingene for å forhindre forstoppelse og forminset ytelse.

Inspeksjon

Etter rengjøring skal alle delene inspiseres. Skadde eller slitte deler må byttes ut.

Smøring

Smør spesielt gir, ventil og clutch med fett som inneholder molybdendisulfid (f. eks. Molykote BR2 Plus). Se perspektivsnittene og figurene under Serviceveiledningen.

Smøreguide muttertrekker

Merke	Lagre (generell anvendelse)	Frihjulsenhet (tannkrans og girhjul)	Frihjul
BP	Energrease LS-EP2		Energrease LS-EP2
Castrol	Spheerol EP L2		
Esso	Beacon EP2		Beacon EP2
Q8	Rembrandt EP2		Rembrandt EP2
Mobil	Mobilegrease XHP 222		
Shell	Alvania EP2		Alvania EP2
Texaco	Multifak EP2		
Molykote			
Lubricating		Suntemp LE 9102	
STP		Oil treatment	

Merke	Gir	Air smøring
Bp		Energol E46
Castro		
Esso		AroxEP46
Q8		Chopin 46
Mobil		Almo oil 525
Shell		Torcula 32
Texaco		Aries 32
Molykote	BR2 Plus	

Sikkerhetsregler

Advarsel


Kontroller at du er kjent med bruksveiledningen før du bruker denne maskinen. Maskinen sammen med alt tilbehør må aldri brukes for annet enn til angitt bruksområde. Alle gjeldende sikkerhetsregler med hensyn til installasjon, drift og vedlikehold skal alltid overholdes. Bare la kvalifisert personale gjennomføre installasjon og reparasjon. Koble maskinen fra luftslangen for komprimert luft før du foretar justeringer (f. eks. skifte av sokkel). Kontroller rotasjonsretning før du bruker maskinen.

Operatørene til muttertrekkere med reaksjonsarm skal være ekstra forsiktige for å unngå skader som følge av klemming. Du skal aldri la noen få bruke maskinen dersom vedkommende ikke er grundig opplært med hvordan maskinen fungerer under forskjellige forhold av sikkerhetsmessige grunner. Jfr. avsnittet "Reaksjonsarm".

Maskinen skal bare bruke sammen med den leverte reaksjonsarmen som er tilpasset maskinens skruforbindelse. Se også instruksene under overskriften "Reaksjonsarm".

Du skal aldri holde hånden på eller i nærheten av reaksjonsarmen når maskinen brukes. Kontroller at strømkontakten sitter som den skal. Bytt ut holde- eller låsepinnen når dette er nødvendig. Du skal også skifte ut slitte sokler. Hold hender, langt hår og andre objekter unna den roterende sokkelen.

Når du bruker en opphengskrave, kontroller at den er i god stand og riktig festet.

Part no	8940166747	
Issue no	1	
Series no	1	
Date	2010-01	
Page	64	

GARANTI FRA CP

- 1) Dette produktet fra CP garanteres det mot produksjons- og materialfeil i maksimalt 12 måneder etter at det er kjøpt fra CP eller deres forhandlere, under forutsetning av at bruken begrenses til drift i enkelt-skift i denne perioden. Hvis produktet brukes utover drift i enkelt-skift, skal garantiperioden reduseres forholdsmessig.
- 2) Hvis produktet i løpet av garantiperioden viser seg å ha produksjons- eller materialfeil, skal det returneres til CP eller deres forhandlere sammen med en kort beskrivelse av den angivelige feilen. CP skal etter eget skjønn avgjøre om de vil reparere eller skifte ut deler som anses å ha produksjons- eller materialfeil.
- 3) Denne garantien dekker ikke produkter som er mishandlet, misbrukt eller endret, eller er reparert ved hjelp av annet enn originale CPP-deler eller utført av andre enn CP eller deres autoriserte service-representanter.
- 4) Hvis CP pådrar seg kostnader i forbindelse med utbedring av en mangel som skyldes mishandling, misbruk, tilfeldig eller uautorisert endring, skal slike kostnader dekkes i sin helhet av kunden.
- 5) CP aksepterer ingen krav om erstatning for arbeidsutgifter eller andre kostnader i forbindelse med produkter med mangler.
- 6) Alle direkte skader, indirekte skader eller følgeskader som skyldes eventuelle mangler, dekkes ikke av denne garantien.
- 7) Denne garantien gjelder i stedet for alle andre garantier, eller vilkår, uttrykt eller underforstått, når det gjelder kvalitet, salgbarhet eller egnethet for bestemte formål.
- 8) Ingen, verken en forhandler, medarbeider eller ansatt hos CP, har autorisasjon til å tilføye eller å endre vilkårene på noen måte i denne begrensede garantien.

OHJEKIRJA

Tuote on suunniteltu puisten, metallisten ja muovisten kierrekinnittimien asennukseen ja poistoon. Sen käyttö muihin tarkoituksiin ei ole sallittua. Ainoastaan ammattikäyttöön.

Pääominaisuudet

Vääntömomentin väli	300-900 Nm
Vapaa nopeus	100 r/mn (tr/mn)
Toimintapaine	3-7 bar
Ilmankulutus	19 l/s (40CFM)
Paino:	
CP7600 C	6.8 kg
CP7600 C-R	7.4 kg
CP7600 C-4P	7.1 kg
CP7600 C-R4P	7.7 kg

Melu- ja värinätaaso

Melu on standardin PN8NTC dB(A) mukainen	dB(A)
Mitattu äänipainetaso	79
Määritetty äänitehotaso	
Hajonta teoriassa ja tuotannossa	3

Tärinä on standardin ISO 8662-7	m/s ²
Mitattu värinäarvo	<2.5
Menetelmän ja tuotannon hajonta	

Melu- ja värinäpäästöt

Edellä ilmoitetut arvot on saatu laboratoriotyyppisten testien avulla, ilmoitettujen vaatimusten mukaisesti, eivätkä ne sovellu riskienarviointikäyttöön. Yksittäisissä työpaikoissa mitatut arvot saattavat olla korkeampia kuin ilmoitetut arvot. Todelliset altistumisarvot ja yksittäiselle käyttäjälle aiheutuva vahinkoriski ovat tapauskohtaisia ja riippuvat käyttäjän työskentelytavasta, työkohteesta ja työaseman suunnittelusta sekä altistumisajasta ja käyttäjän fyysisestä kunnosta.

CP:tä ei voida asettaa vastuuseen mainittujen arvojen käyttöön liittyvistä seurauksista, sen sijaan on otettava huomioon todellisesta altistumisesta johtuvat arvot yksittäisessä riskienarvioinnissa työpaikkatilanteessa, jota emme voi kontrolloida.

Part no	8940166747
Issue no	1
Series no	1
Date	2010-01
Page	66

FI

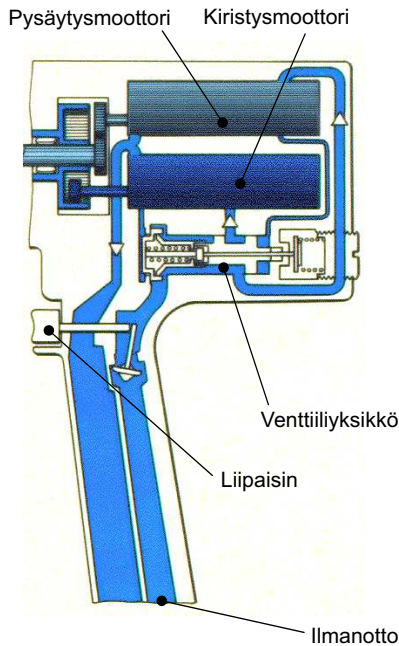
Copyright

© Copyright 2008, CP. Kaikki oikeudet pidätetään. Sisällön tai sen osien luvaton käyttö tai kopiointi on kielletty. Tämä koskee erityisesti tavaramerkkejä, mallimerkintöjä, osanumeroita ja piirustuksia. Käytä ainoastaan alkuperäisiä osia. Takuu tai tuotevastuu ei kata muiden kuin alkuperäisten osien käytöstä aiheutunutta vahinkoa tai vikaa.

Periaate

CP7600:ssa venttiiliyksiköllä on 2 päätoimintoa:

Se ohjaa ilman kahden paineilmamootorin läpi ja sulkee työkalun ilmansyötön.



cs000870

Pysäytys

Vetämällä liipaisinta ilma virtaa venttiiliyksikön läpi ohjaten sen pyörivän pysäytysmoottorin läpi. Tällä moottorilla on matala kovan nopeuden tuoton välityssuhde ja pieni vääntömomentti.

Moottorin kytkin

Kun CP7600:ssa käytetään momenttia antokäyttövoima kasvaa, pysäytysmoottori hidastuu aiheuttaen suuremman ilmanpaineen moottorin sisällä. Tämän korkeamman paineen alaisena venttiili siirtyy toiseen asentoon.

Kiristys

Sitten ilmaa ohjataan kiristysmoottorin läpi. Moottorilla on korkea kovan nopeuden tuoton välityssuhde ja suuri momentti.

Sammutus

Kun momentti jatkaa kasvamistaan, kiristysmoottori hidastuu aiheuttaen suuremman ilmanpaineen moottorissa. Tämän ilmanpaineen ylittäessä jousen säädetty paine, venttiiliyksikön mäntä siirtyy sammuttaen koko ilmanpääsyn.

Sammutuksen säätö

Jousipaine säädetään kalibroitaessa työkalu. Tietty ilmanpaine (yleensä 6.3 bar/90 psi) saa aikaan tietyn momentin.

VAROITUS



Ilmanpaineen muutos vaikuttaa sammutustapaan. Mikäli ilmanpaine on suurempi kuin kalibroitu ilmanpaine, sammutus tapahtuu aikaisemmin ja momentti on aiottua alhaisempi. On erittäin tärkeää, että CP7600 toimii kalibrointitodistuksessa mainitulla ilmanpaineella niin, että saadaan oikea momentti.

Asennus

Ilman laatu

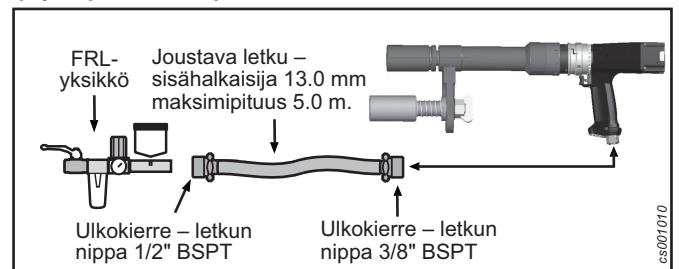
- Parhaan suorituskyvyn ja laitteen käyttöiän saamiseksi suosittelemme paineilman käyttöä kastepisteellä, joka on välillä +2°C ja +10°C. Jäähdyttävän ilmankuivaajan asentaminen on suositeltavaa.
- Erillisen ilmansuodattimen käyttö poistaa 30 mikronia suuremmat kiinteät hiukkaset sekä yli 90% vedestä. Se asennetaan mahdollisimman lähelle laitetta ja ennen mitään muuta ilmankäsittely-yksikköä. Sulje letku ennen kytkemistä.
- Paineilman on sisällettävä pieni määrä öljyä. Suosittelemme vahvasti öljysumuvoitelulaitteen asentamista, joka asetetaan normaalisti 3-4 pisaran (50mm³)/m³ ilmankulutukselle pitkäjaksotoimisille työkaluille tai yksikohtainen voitelulaite lyhytjaksotomisille työkaluille.
- Asiakkaan valitsemana erillisillä voitelulaitteilla ei ole haitaksi, jos paineilma sisältää pienen määrän voitelulaitteesta tulevaa öljyä. Poikkeuksena ovat turbiinilaitteet, joissa ei saa olla öljyä. (ole hyvä ja katso Paineilman lisävarusteet pääluetelosta).

Paineilmakytkeä

- Laite on suunniteltu toimintapaineelle (e) 3-7 bar = 300-700 kPa = 87-102 psi.
- Sulje letku ennen kytkemistä.

Suosittelut asennus

Laitteen oikeanlaisen kapasiteetin varmistamiseksi suosittelemme, että toteutat seuraavan asennustavan ilmaverkoston tyhjennyskohdasta työvälineeseen.



cs001010

Käsittely

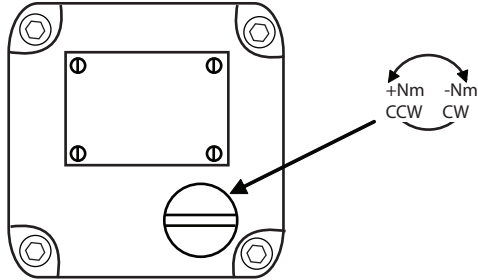
Kiristysmomentin asetus

Kunnollisen ja turvallisen toiminnan varmistamiseksi mutterin ohjaimen kiristysmomentti on asetettava oikein suhteessa ruuviliitokseen. Tarkasta kyseessä olevalle liitokselle annettu kiristysmomentti.

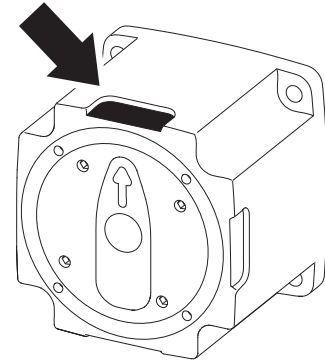
FRL-yksikön tuottama ilmanpaine asetetaan kalibrointitodistukseen kirjoitetun paineen mukaisesti vapaalla nopeudella (liipaisin täysin painettuna ja mutterin ohjain pyörii vapaasti ilman kuormitusta muutaman sekunnin ajan) yleensä 6.0 – 6.3 bar.

Irrallinen momentin valitsin

Säädä momentin asetus säätöavaimella. Momentti kasvaa ruuvaamalla ruuvia vastapäivään. Säädön jälkeen tarkasta kyseessä olevalle liitokselle annettu kiristysmomentti.



c000850



cs001050

- ⓘ Mikäli sammutus tapahtuu kovalla kierrosnopeudella aiheuttaen suuren momentin hajonnan, suositellaan ilmanpaineen alentamista.

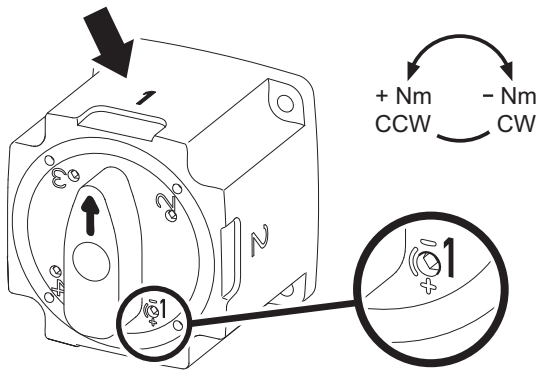
Muista tekemäsi momenttiasetukset laittamalla omat merkit neljään kohtaan kotelolla.

4-asentoinen valitsin

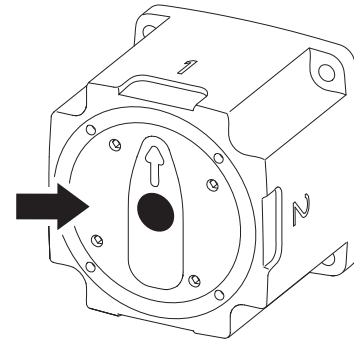
Momentin 1 asettamiseksi käännä kiertokytkintä kotelossa olevalle viitemerkillle. Aseta säätöruuvi 1. Katso kytkimessä oleva merkki momentin pienentämiseksi/kasvattamiseksi. Momentin 2 asettamiseksi käännä kiertokytkintä kotelossa olevalle viitemerkillle 2. Aseta säätöruuvi 2.

Toimintaohjeet Kiristysmomentin valinta

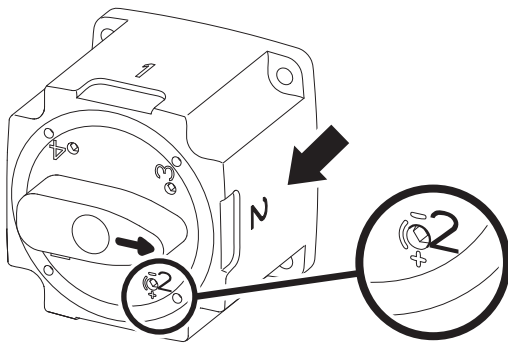
Paina mustaa painiketta. Käännä kiertokytkin haluttuun asentoon. Paina kiertokytkin takaisin sisään.



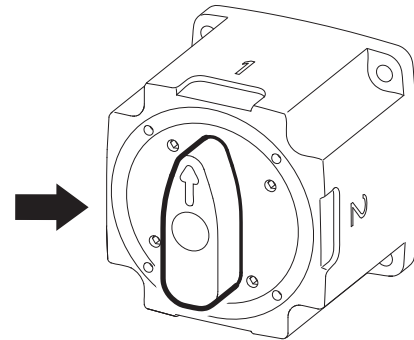
cs000800



cs000810

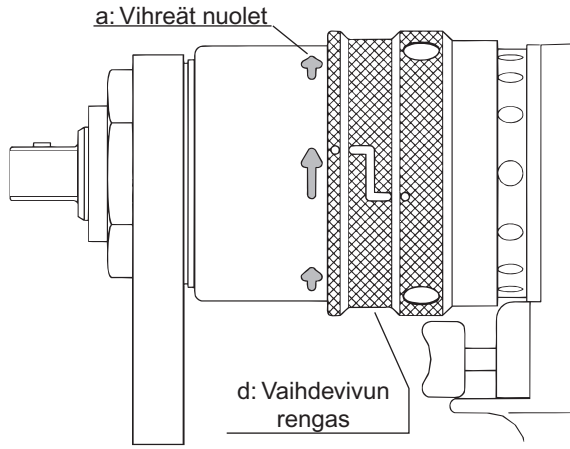


cs001040



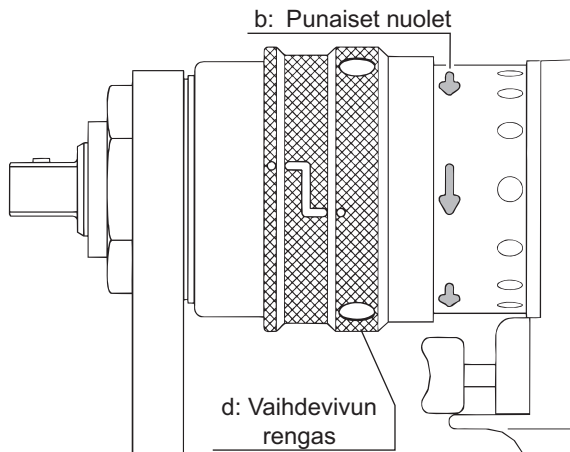
cs001060

Vaihdevivun renkaan asento – myötäväiseen kytkentäasento



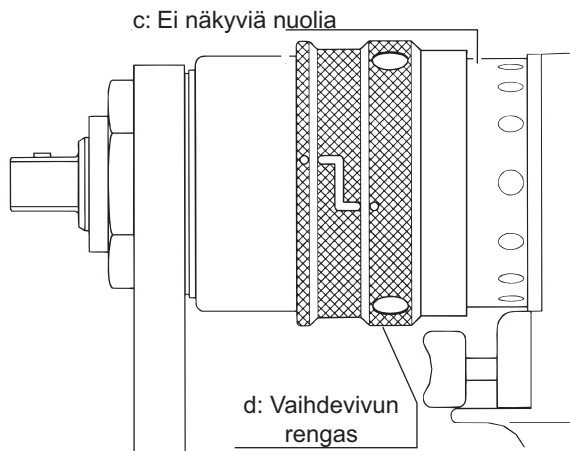
cs000940

Vaihdevivun renkaan asento – vastapäivään kytkentäasento



cs000950

Vaihdevivun renkaan asento – keskikytkentäasento



cs000960

Ohjeet suunnanvaihtoa varten

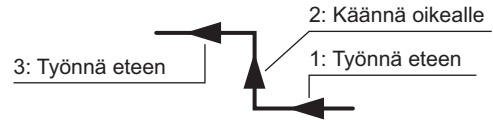
Koska vaihdevivussa ei ole automaattista palautusta vakioasentoon, tarkasta aina ennen aloitusta, että vaihdevipu on myötäväisessä asennossa tai vastapäiväisessä asennossa nuolien näkyessä selvästi.

VAROITUS



Älä koskaan vaihda vaihdetta laitteen toimiessa.
Älä koskaan käynnistä laitetta vaihdevivun ollessa keskiasennossa.

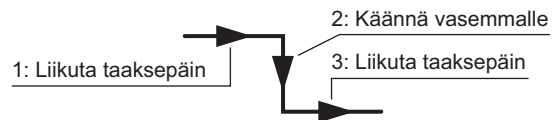
Tartu vaihdevivun renkaaseen käsin ja siirrä sitä eteen – oikealle – eteen, katso kuva alla.



cs000970

Punaiset nuolet ilmoittavat liikkeen suunnan. Laitte pyörii vastapäivään käynnistettäessä.

Vaihdettaessa takaisin myötäväiseen asentoon vedä rengas taakse – vasemmalle – taakse, katso kuva alla.



cs000980

Vihreät nuolet ilmoittavat liikkeen suunnan, laite pyörii myötäväiseen käynnistettäessä. Ei ole tarpeellista pitää rengasta molemmissa asennoissa käsin.

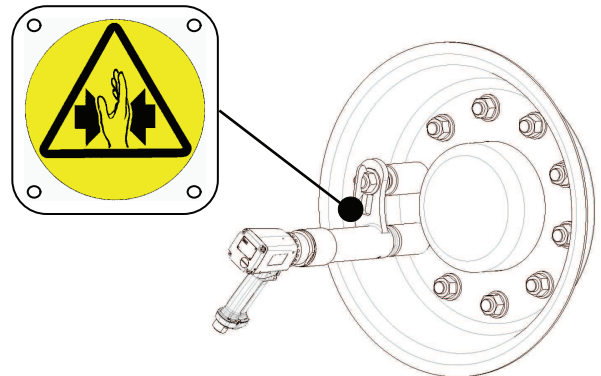
Jatkettu reaktiovarsi jousikuormitteisella putken asetuksella

Säädä etäisyys keskeltä keskelle muhvin ja jousikuormitetun putken välillä sovittaen mutterit kiristykseen/löysäykseen.

Tarkasta, että jousikuormitteinen putki on tiukasti asetettu pitkin reaktiovarsta.

Sovita reaktiotanko haluttuun asentoon ennen laitteen käynnistystä.

Reaktiovarren on ehdottomasti pyörittävä navan ympärillä..



cs001020

Huolto

Maksimaalisen suorituskyvyn varmistamiseksi

On tärkeää voidella säännöllisesti maksimaalisen suorituskyvyn ja ongelmattoman toiminnan saamiseksi. Moottori on voideltava

öljyllä; öljypisaroiita voidaan tiputtaa joko paineilmaan tai suoraan ilmanottoon.

Liipaisin, planeettapyörästä, neulalaakerit ja kuulalaakerit on voideltava rasvalla laitteen säännöllisen huollon aikana.

Kulmavaihde ja kytkin voidellaan rasvalla, joka sisältää molybdeenidisulfidia: esimerkiksi Molykote BR2 Plus tai vastaava merkki.

Käytä hyvälaatuisia voiteluaineita. Taulukossa mainitut öljyt ja rasvat ovat esimerkkejä suositeltavista voiteluaineista.

Ruostesuoja ja sisäpuhdistus

Paineilmassa oleva vesi, lika ja kulumishiukkaset aiheuttavat ruostetta ja siipien, venttiilien jne. tukkeutumisen. Laitteen lähelle on asennettava ilmansuodatin (katso ”Ilman laatu”).

Käyttöohjeet

Suosittelaaan yleistarkastusta ja ennaltaehkäisevää huoltoa säännöllisin väliajoin kerran vuodessa tai korkeintaan 250 000 kiristyksen jälkeen riippuen siitä, kumpi on aikaisempi. Tiheämpää huoltoa tarvitaan, jos käytetään korkeaa momenttia ja jos kiristysajat ovat pitkiä. Ellei laite toimi kunnolla, se on poistettava heti käytöstä tarkastusta varten.

Suodatin ilmanotossa ja poiston vaimennin on puhdistettava tiheään tai korvattava tukkeutumisen estämiseksi, mikä vähentää kapasiteettia. Tarkastuksessa on puhdistettava kaikki osat huolellisesti ja vialliset tai kuluneet osat (esim. o-renkaat, siivet) on korvattava.

Purkaminen / kokoaminen

On tärkeää, että laitteen kiertetyt liitokset on kiristetty kunnolla; räjäytyskuvissa olevien erittelyiden mukaisesti.

- ☺ Voitele o-renkaat ja kiertetyt liitokset rasvalla ennen kokoamista.

Puhdistus

Puhdista kaikki osat kokonaan teollisuusbenssiinillä tai vastaavalla puhdistusaineella.

Tukkeutumisen ja tehon laskun ehkäisemiseksi saattaa olla tarpeellista puhdistaa suodatin (jos käytössä) ja poistosuodatin tarkastuksien välillä.

Tarkastus

Tarkasta kaikki osat puhdistuksen jälkeen. Vaurioituneet ja kuluneet osat pitää vaihtaa.

Voitelu

Voitele erityisesti vaihteet, venttiili ja kytkin rasvalla, joka sisältää molybdeenidisulfidia (esim. Molykote BR2 Plus). Ole hyvä ja katso räjäytyskuvat sekä kuva käyttöohjeiden alla.

Mutterin ohjainten rasvausopas

Merkki	Laakerit (yleistarkoitus)	Vapaa pyöräyksikkö (vaihteen rengas ja hammaspyörät)	
		hammaspyörät	Vapaa pyörä
BP	Energrease LS-EP2		Energrease LS-EP2
Castrol	Speherol EP L2		
Esso	Beacon EP2		Beacon EP2
Q8	Rembrandt EP2		Rembrandt EP2
Mobil	Mobilegrease XHP 222		
Shell	Alvania EP2		Alvania EP2
Texaco	Multifak EP2		
Molycote			
Lubricating		Suntemp LE 9102	
STP		Oil treatment	

Merkki	Vaihte	Air voitelu
Bp		Energol E46
Castro		
Esso		AroxEP46
Q8		Chopin 46
Mobil		Almo oil 525
Shell		Torcula 32
Texaco		Aries 32
Molycote	BR2 Plus	

Turvallisuusohjeet

Varoitus

Varmista, että olet tutustunut käyttöohjeisiin ennen laitteen käyttöä. Laitetta liitteineen ja lisävarusteineen ei saa ikinä käyttää muihin päämääriin kuin mihin sen on suunniteltu.

On aina huolehdittava kaikista paikallisista asennusta, käyttöä ja huoltoa koskevista virallisista turvallisuussäännöistä.

Vain ammattitaitoinen henkilökunta saa huolehtia asennuksesta ja huollosta. Ennen minkään säädön suorittamista (esim. muhvien vaihto) irrota laite paineilmalinjasta.

Tarkasta pyörimissuunta ennen laitteen käyttöä.


Mutterin ohjainten, joissa on momentin reaktiotanko, käyttäjän on oltava erityisen tarkkana puristumisesta aiheutuvien vahinkojen välttämiseksi. Turvallisuusyistä – älä koskaan anna kenenkään käyttää laitetta ilman koulutusta ja tutustumatta täysin laitteen käyttöön eri olosuhteissa. Katso kohta ”Reaktiotanko”.

Laitetta voidaan käyttää ainoastaan liitetyn momentin reaktiotangon kanssa, joka sopii kyseessä olevaan ruuviliitokseen. Katso myös ”Reaktiotanko”-otsikon alla olevat ohjeet.

Älä koskaan laita käsiä reaktiotangolle tai sen lähelle laitetta käytettäessä.

Tarkasta, että teholiitin on kunnolla kiinnitetty. Korvaa kiinnitys- tai lukitustappi tarvittaessa. Vaihda myös kaikki kuluneet muhvit.

Pidä kädet, pitkät hiukset ja muut esineet loitolla pyörivästä muhvista. Käytettäessä kannatussidettä tarkasta, että se on hyvässä kunnossa ja kunnolla kiinnitetty.

Part no	8940166747	
Issue no	1	
Series no	1	
Date	2010-01	
Page	70	

CP-YHTIÖN MYÖNTÄMÄ TAKUU

- 1) Tällä CP-tuotteella on takuu, joka kattaa mahdolliset valmistusvaiheessa aiheutuneet tuote- tai materiaali- viat enintään 12 kuukauden ajalle siitä päivämäärästä lähtien, jolloin tuote on hankittu CP-yhtiöltä tai sen myyntiedustajilta edellyttäen, että tuotteen käyttö rajoitetaan yhteen työvuoroon tämän ajanjakson aikana. Jos tuotetta käytetään enemmän kuin yhden työvuoron ajan, takuun kattama jakso lyhentyy tuotteen käyttöä vastaavalla ajalla.
- 2) Jos tuotteessa ilmenee takuujakson aikana valmistusvaiheessa aiheutunutta tai materiaaleista johtuvaa vikaa, se on palautettava CP-yhtiölle tai sen myyntiedustajalle ja mukaan on liitettävä lyhyt, kyseistä vikaa koskeva kuvaus. CP järjestää harkintansa mukaan maksutta korjauksen tai vaihdon sellaisille tuotteille, joissa todetaan valmistusvaiheessa syntynyt tai materiaalien aiheuttama vika.
- 3) Takuu ei kata tuotteita, joita on käytetty asiattomasti tai väärin tai joihin on tehty muutoksia. Se ei myöskään kata tuotteita, joita on korjattu muita kuin alkuperäisiä CP-yhtiön varaosia käyttämällä tai joiden korjauksen on suorittanut joku muu kuin CP-yhtiö tai sen valtuuttama huoltohenkilöstö.
- 4) Jos CP-yhtiölle aiheutuu kuluja sellaisen vian korjauksesta, joka on syntynyt tuotteen asiattomasta tai vääränlaisesta käytöstä, vahingon aiheuttamasta vaurioitumisesta tai tuotteeseen tehtyjen valtuuttamattomien muutosten seurauksena, yhtiö vaatii näiden kulujen korvaamista kokonaisuudessaan.
- 5) CP ei ota vastattavakseen minkäänlaisia viallisista tuotteista aiheutuneita työkuluja tai muita korvausvaatimuksia.
- 6) Takuu ei kata minkäänlaisia vikojen mahdollisesti aiheuttamia suoranaisia, satunnaisia tai käyttöön vaikuttavia kustannuksia.
- 7) Tämä takuu annetaan kaikkien muiden suorien tai epäsuorien takuiden tai ehtojen asemasta koskien tuotteen laatua, myyntikelpoisuutta tai sopivuutta tiettyyn käyttötarkoitukseen.
- 8) CP-yhtiön myyntiedustajilla, palveluhenkilöstöllä tai työntekijöillä ei ole valtuuksia tehdä minkäänlaisia lisäyksiä tai muutoksia tämän takuun rajoittamiin ehtoihin.

INSTRUKTIONSMANUAL

Denna produkt är utvecklad för att montera och ta bort gängande fästelement i trä, metall och plast. Ingen annan användning är tillåten. Endast för professionell användning.

Specifikationer

Momentområde	300 - 900 Nm
Hastighet	100 r/mn (tr/mn)
Arbetsstryck	3 - 7 bar
Luftförbrukning	19 l/s (40CFM)
Vikt:	
CP7600 C	6.8 kg
CP7600 C-R	7.4 kg
CP7600 C-4P	7.1 kg
CP7600 C-R4P	7.7 kg

Ljud och vibrationer

Ljud enligt ISO15744	dB(A)
Uppmätt ljudtrycksnivå	79
Beräknad ljudeffektnivå	
Spridning i metod och produktion	3

Vibration enligt ISO 8662-7	m/s ²
Uppmätt vibrationsvärde	<2.5
Spridning i metod och produktion	

Meddelande om buller & vibrationer

Dessa värden har uppmätts i laboratoriemiljö enligt gällande standard. Värdena kan användas för att jämföra andra verktygsvärden som har uppmätts enligt samma standarder. Värdena som anges här bör inte användas vid riskbedömning och på vissa arbetsplatser kan de uppmätta värdena vara högre. Det faktiska värdet och den faktiska skaderisken som en enskild användare utsätts för är individuella och beror på en rad faktorer såsom arbets sätt, utformning på arbetsstycket och arbetsstationen, hur länge individen utsätts för påfrestningar och individens fysiska hälsa. Då en riskbedömning görs för en arbetsplats utom vår kontroll kan vi inte hållas ansvariga för konsekvenserna om dessa värden används som riktlinjer, istället för värden som reflekterar arbetets faktiska påfrestningsgrad.

Vi på CP, kan inte hållas ansvariga för konsekvenserna av att använda deklarerade värden vid individuella riskbedömningar, eftersom vi inte har någon möjlighet att utöva en fortlöpande kontroll av förhållandena på berörda arbetsplatser. Detta verktyg kan orsaka vibrationssyndrom på handen-armen om verktyget inte hanteras på rätt sätt. Det finns en EU-guide angående hantering av hand-arm-vibrationer på <http://www.humanvibration.com/EU/VIBGUIDE.htm>. För att förebygga eventuella framtida åkommor rekommenderar vi att hälsokontroller genomförs för att upptäcka tidiga symptom som kan bero på vibrationsrelaterade arbetsuppgifter.

Part no	8940166747
Issue no	1
Series no	1
Date	2010-01
Page	72



Copyright

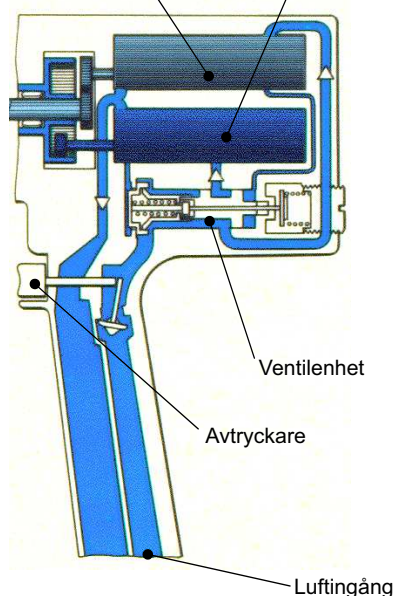
© Copyright 2008, CP. Alla rättigheter förbehållna. All icke auktoriserad användning eller kopiering av innehållet eller del därav är förbjuden. Detta gäller speciellt för varumärken, modellbeteckningar, komponentnummer och ritningar. Använd endast originaldelar. Skador eller funktionsstörningar, som vållas av att andra än original delar används omfattas inte av garantin eller produktansvaret.

Principen

Inuti CP7600 finns en ventil som kombinerar två olika nyckel funktioner:

den förser de båda luftmotorerna med luft och stänger av luftförsörjningen till verktyget.

Nedgångsmotor Åtdragningsmotor



cs000870

Nedgångning

När man trycker ner avtryckaren, strömmar luft genom ventilenheten, som förser nedgångsmotorn med luft som därefter börjar rotera. Denna motor driver en växel med låg utväxling som genererar hög hastighet och ett lågt moment.

Motoromkopplare

När momentet på fyrkantstappen ökar, saktar nedgångsmotorn ner, vilket leder till ett högre lufttryck inuti motorn. Detta högre tryck flyttar ventilenheten till en annan position.

Åtdragning

Luften leds därefter till åtdragningsmotorn. Denna motor drivs av en högre utväxling som genererar låg hastighet och högt moment.

Avstängning

När momentet fortsätter att öka saktar åtdragningsmotorn ner, vilket leder till ett högre lufttryck inuti motorn. När lufttrycket når inställt värde på den justerbara fjädern, påverkas en kolv i ventilenheten så att den stänger av hela luftförsörjningen.

Justering av avstängningen

Vid momeninställning av verktyget justeras fjäderns spänning. Ett bestämt lufttryck (normalt 6,3 bar/90 psi) leder till ett bestämt moment.

VARNING



En förändring i lufttrycket påverkar även avstängningsproceduren. Om lufttrycket är högre än vid momeninställningen, kommer avstängningen att ske tidigare och momentet blir då lägre än förväntat. Det är väldigt viktigt att CP7600 används med det lufttryck som momeninställnings dokumentationen anger, annars kommer rätt moment inte att uppnås.

Installation

Luftkvalitet

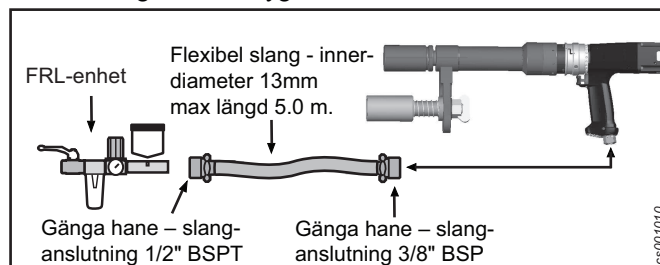
- För bästa prestanda och maximal livslängd för utrustningen rekommenderar vi att man använder tryckluft med dagpunkt mellan +2 °C och +10 °C. Vi rekommenderar även att man installerar en lufttorkare med kylfunktion.
- Använd ett separat luftfilter. Detta filter tar bort fasta partiklar som är större än 30 mikron, och det tar också bort över 90 % av vatten i vätskeform. Filtret ska installeras så nära maskinen/utrustningen som möjligt, och före övrig luftberedningsutrustning. Blås igenom slangen före anslutning.
- Tryckluften måste innehålla en liten mängd olja. Vi rekommenderar starkt att man installerar en oljedimsmörjare. Denna ställs normalt in på 3-4 droppar olja (50 mm³) per m³ förbrukad tryckluft vid användning av tryckluftverktyg som har långa arbetscykler.
- Man kan även använda en enpunktssmörjare för verktyg som har korta arbetscykler. Vad gäller smörjfria verktyg är det upp till kunden att avgöra vilken kringutrustning som ska användas. Det är dock ingen nackdel om tryckluften innehåller en liten mängd olja som t.ex. matas från en dimsmörjare. Turbinverktyg måste dock hållas fria från olja. (se Trycklufttillbehör i vår huvudkatalog).

Tryckluftsanslutning

- Maskinen är avsedd för ett arbetstryck (e) av 3–7 bar = 300–700 kPa.
- Blås ren slangen innan den ansluts.

Rekommenderad installation

För att garantera att verktyget används korrekt vill vi starkt rekommendera att ni följer bifogat installationsförslag, från luftanslutningen till verktyget.



cs001010

Hantering

Åtdragningsmoment

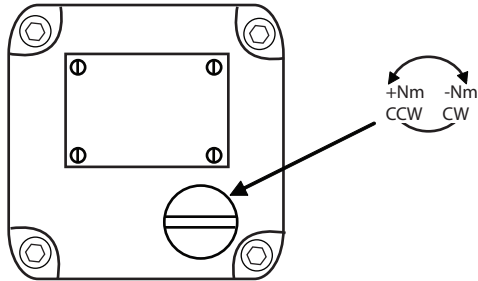
För att få en god åtdragningsnoggrannhet och driftsäkerhet ska åtdragningsmomentet vara korrekt för skruvförbandet. Prova inställt åtdragningsmoment på det aktuella förbandet.



Lufttrycket från FRL-enheten är satt enligt trycket angivet på momentinställningsdokumentationen vid full hastighet (avtryckaren i botten utan motstånd i några sekunder), vanligtvis 6.0 - 6.3 bar.

1-positions momentinställning

Justera momentet med justeringsverktyget. Momentet ökas genom när man skruvar motsols. Efter justeringen kontrollera åtdragningsmomentet i åtdragningsförbandet

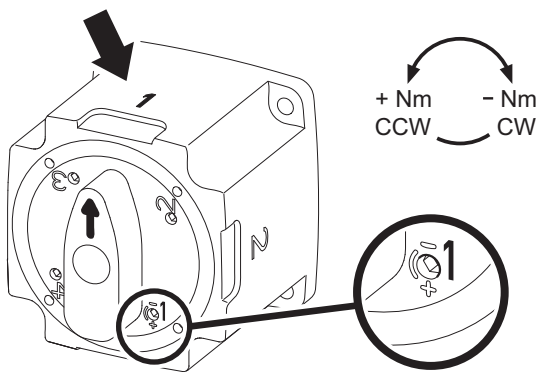


c000850

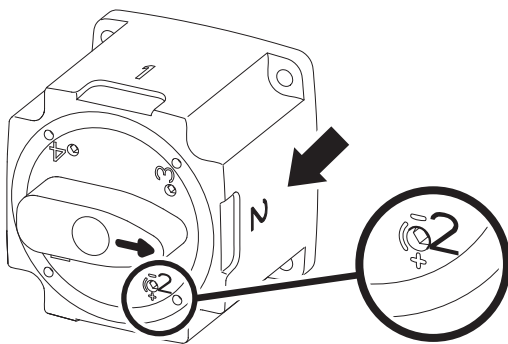
- ⓘ Om avstängningen sker vid hög hastighet (rpm), ökar högmomentets spridning. Då är det lämpligt att man sänker lufttrycket.

4-positions momentinställning

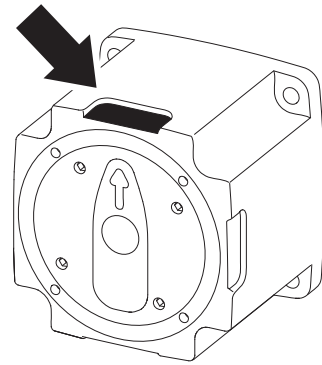
För att ställa in moment 1, justera omkopplaren så att den pekar på referensmärket på huset. Justera skruv 1. Se på märkningen hur man ökar/minskar momentet. För att ställa in moment 2, justera omkopplaren så att den pekar på referensmärket på huset. Justera skruv 2.



cs000800



cs001040

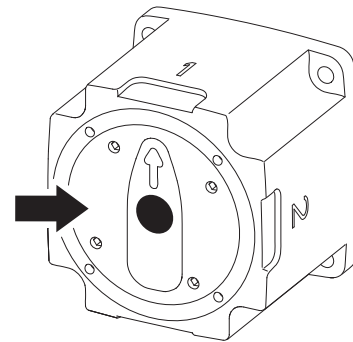


cs001050

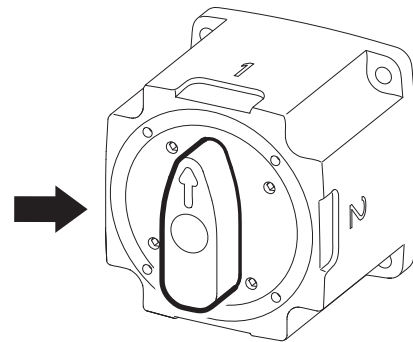
Kom ihåg dina momentinställningar genom att märka inställningarna på de fyra avsedda ytor på huset.

Användningsinstruktioner Val av momentinställning

Tryck på den svarta knappen. Vrid omkopplaren till önskad position. Tryck in omkopplaren igen.

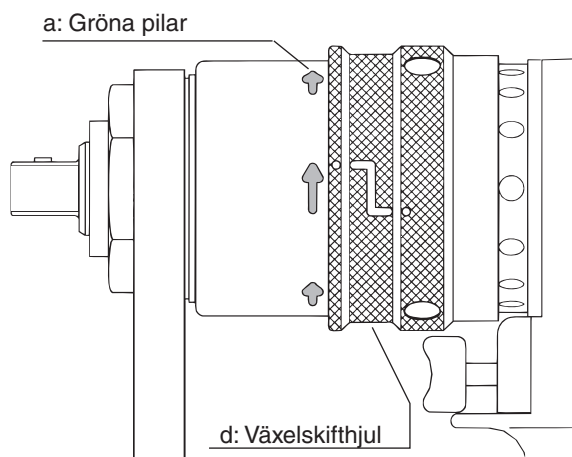


cs000810



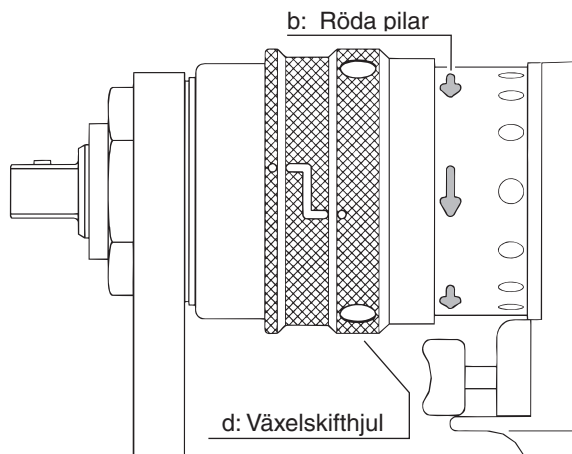
cs001060

Reverseringsringens läge - medsols växelposition



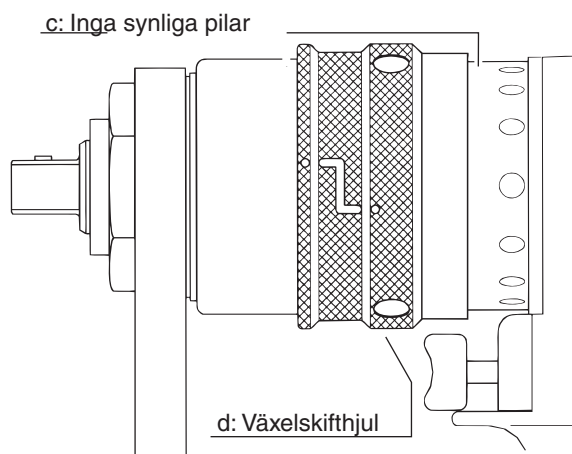
cs000940

Reverseringsringens läge - motsols växelposition



cs000950

Reverseringsringens läge - mellan växelposition



cs000960

Anvisningar för reversering

Eftersom växelläget inte automatiskt går tillbaka till ett fast läge, är det viktigt att man alltid kollar om växeln är i medsols- eller i motsolsläge (med alla pilar klart synliga) innan man startar maskinen.

VARNING



Byt aldrig växel när verktyget är i drift.
 Starta aldrig verktyget när växeln är i läge mellan de fasta positionerna.

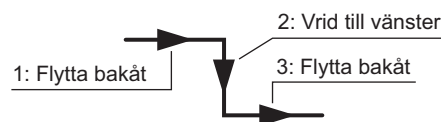
Fatta växlingen med handen och tryck den framåt – höger – framåt, se figur nedan.



cs000970

Den röda pilen indikerar riktningen vid start, dvs. verktyget kommer att gå motsols när den startar i detta läge.

För att byta tillbaka till medsols, för ringen bakåt – vänster – bakåt, se figur nedan.



cs000980

Den gröna pilen indikerar riktningen vid start, dvs. verktyget kommer att gå medsols i detta läge. Det är inte nödvändigt att hålla ringen på plats, den stannar kvar av sig själv.

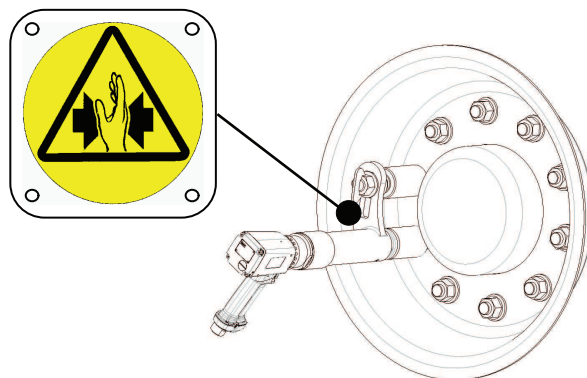
Förlängd mothållsarm med fjäderbelastad mothållshylsa

Justera C-C måttet mellan åtdragningshylsan och mothållshylsan så att det passar till muttrarna.

Kontrollera att den fjäderbelastade hylsan sitter korrekt monterad på reaktionsarmen.

Montera reaktionsarmen i önskad position innan start av verktyget.

Mothållet måste svänga runt navet.



cs001020

Underhåll

För maximal effekt

För bibehållen prestanda och maximal livslängd är det viktigt med regelbunden smörjning. Motorn skall smörjas med olja, som tillförs tryckluften eller verktyget vid luftanslutningen.

Smörj pådrag, planetväxlar, nållager och kullager med fett vid den regelbundna översynen av maskinen.

Vinkelväxeln och kopplingen måste smörjas med ett fett som innehåller molybdendisulfid, t. ex. Molykote BR 2 Plus eller motsvarande av annat fabrikat.

Använd smörjmedel av god kvalitet. De oljor och fett, som finns upptagna i tabellen är exempel på rekommenderade smörjmedel.

Rostskydd och invändig rengöring

Vatten i tryckluften, damm och slitpartiklar vållar rostbildning och kärvande lameller, ventiler etc. Ett luftfilter bör monteras nära maskinen (se 'Luftkvalitet').

Serviceanvisningar

Översyn och preventivt underhåll rekommenderas vid jämna intervaller en gång per år eller senast efter 250 000 åtdragningar, beroende på vilket som uppträder först. Tätare översyn kan krävas, om maskinen används vid höga moment och långa åtdragningstider. Om maskinen inte fungerar korrekt skall den omedelbart tas ur drift för inspektion.

Filtret på luftintaget och utloppets ljuddämpare skall rengöras regelbundet för att undvika att de sätts igen av föroreningar.

Annars reduceras maskinens kapacitet.

Vid översynen skall alla delar rengöras noggrant och defekta eller slitna delar (t ex O-ringar, lameller) skall bytas ut.

Isärtagning / hopsättning

Det är viktigt att maskinens gängade anslutningar dras åt korrekt, d v s enligt specificerade värden på sprängkisserna.

- Smörj O-ringar och gängade anslutningar med fett före hopsättning.

Rengöring

Rengör samtliga delar i lacknafta eller likvärdigt rengöringsmedel.

För att förhindra igensättning och nedsatt effekt kan det vara nödvändigt att rengöra silen (om sådan finns) och utloppsfiltret mellan servicetillfällena.

Kontroll

Efter rengöring, kontrollera samtliga delar. Byt skadade och utslitna delar.

Smörjning

Smörj särskilt kuggjul, ventilen och kopplingen med fett innehållande molybdendisulfid (t ex Molykote BR2 Plus). Se sprängkisserna och figuren under Serviceanvisningar.

Rekommenderade smörjfetter för mutterdragare

Märke	Lager (allmänt syfte)	Frihjulsenhet (kuggkrans och kuggjul)	Frihjul
BP	Energrelse LS-EP2		Energrelse LS-EP2
Castrol	Speerol EPL2		
Esso	Beacon EP2		Beacon EP2
Q8	Rembrandt EP2		Rembrandt EP2
Mobil	Mobilegrease XHP 222		
Shell	Alvania EP2		Alvania EP2
Texaco	Multifak EP2		
Molycote			
Lubricating		Suntemp LE 9102	
STP		Oil treatment	

Märke	Kuggaxlar	Luftsmörjning
Bp		Energol E46
Castro		
Esso		AroxEP46
Q8		Chopin 46
Mobil		Almo oil 525
Shell		Torcula 32
Texaco		Aries 32
Molycote	BR2 Plus	

Säkerhetsanvisningar

Varning

Använd inte maskinen utan att först ha gjort dig väl förtrogen med anvisningarna.

Maskinen och dess tillbehör får endast användas för avsett ändamål.

Alla lokala säkerhetsföreskrifter avseende installation, drift och underhåll skall alltid åtföljas.

Installation och service får endast utföras av behörig personal.

Koppla bort maskinen från tryckluftsledningen före justering (t.ex. byte av hylsa).

Kontrollera rotationsriktningen innan du använder maskinen.

Segdragande mutterdragare med mothåll kräver speciell uppmärksamhet av operatören för att undvika klämskador. Maskinen får inte användas utan att operatören har nödvändig kunskap och träning i hur maskinen fungerar under olika förhållanden, speciellt beträffande säkerhet. Se även instruktioner under avsnittet "Mothåll".


Maskinen får endast användas tillsammans med tillhörande mothåll, som anpassats till det aktuella skruvförbandet. Se vidare instruktion under rubriken "Mothåll".

Håll ej handen på eller invid mothållet när maskinen används.

Kontrollera att krafthylsan är ordentligt fastsatt. Byt vid behov spärrtappen – Byt ut slitna hylsor.

Håll händer, långt hår och övriga föremål borta från den roterande hylsan.

Om upphängningsbygel används, kontrollera att denna är felfri och korrekt monterad.

Part no	8940166747	
Issue no	1	
Series no	1	
Date	2010-01	
Page	76	

CP-GARANTI

- 1) Denna CP-produkt garanteras mot defekt utförande eller material i en period av högst 12 månader efter inköpsdatum från CP eller deras ombud, förutsatt att dess användning är begränsad till enkelskiftarbete under hela denna period. Om användningsfrekvensen överskrider enkelskiftarbete skall garantiperioden reduceras i motsvarande mån.
- 2) Om produkten under garantiperioden verkar vara defekt beträffande utförande eller material, skall den återlämnas till CP eller dess ombud tillsammans med en kortfattad beskrivning av den påstådda defekten. CP skall efter eget gottfinnande ordna med reparation eller utbyte av sådana komponenter som anses felaktiga på grund av defekt utförande eller material.
- 3) Denna garanti upphör att gälla för produkter som misshandlats, missbrukats eller modifierats, eller som har reparerats med något annat än äkta CP-reservdelar eller av någon annan än CP eller dess auktoriserade serviceombud.
- 4) Om CP skulle ådraga sig någon utgift vid åtgärdandet av en defekt som orsakats av misshandel, missbruk, ofrivillig skada eller icke auktoriserad modifiering kräver de att denna utgift till fullo betalas.
- 5) CP accepterar inte att anspråk görs på arbetskostnader eller andra omkostnader för defekta produkter.
- 6) Alla direkta eller tillfälliga skador eller följdskador som uppkommer på grund av någon defekt undantages uttryckligen.
- 7) Denna garanti lämnas i stället för alla andra garantier, eller villkor, uttryckliga eller underförstådda, beträffande kvalitet, säljbarhet eller lämplighet för något bestämt ändamål.
- 8) Ingen, vare sig ombud, tjänsteman eller arbetstagare hos CP har befogenhet att lägga till eller modifiera villkoren i denna begränsade garanti på något sätt.

ΕΓΧΕΙΡΙΔΙΟ ΟΔΗΓΙΩΝ

Το παρόν προϊόν έχει σχεδιαστεί για την τοποθέτηση και αφαίρεση κοχλιωτών συνδετήρων σε ξύλο, μέταλλο και πλαστικό. Δεν επιτρέπεται καμία άλλη χρήση. Αποκλειστικά για επαγγελματική χρήση.

Κύρια χαρακτηριστικά

Εύρος ροπής στρέψης	300-900 Nm
Στροφές στο ρελαντί	100 στρ./λεπτό (tr/mn)
Πίεση λειτουργίας	3-7 bar
Κατανάλωση αέρα	19 l/s (40CFM)
Βάρος:	
CP7600 C	6.8 kg
CP7600 C-R	7.4 kg
CP7600 C-4P	7.1 kg
CP7600 C-R4P	7.7 kg

Εκπομπή θορύβου και κραδασμών

Θόρυβος σύμφωνα με το ISO15744	dB(A)
Μετρούμενη στάθμη ηχητικής πίεσης	79
Προσδιορισμένη στάθμη ηχητικής ισχύος	
Διάχυση στη μέθοδο και την παραγωγή	3

Κραδασμοί σύμφωνα με το πρότυπο ISO 8662-7	m/s ²
Μετρούμενη τιμή κραδασμών	<2.5
Διάχυση στη μέθοδο και την παραγωγή	

Στοιχεία εκπομπής θορύβου και κραδασμών

Οι παραπάνω δηλούμενες τιμές λήφθηκαν μετά από εργαστηριακές δοκιμές, οι οποίες διεξήχθησαν σύμφωνα με τα ισχύοντα πρότυπα και δεν θα πρέπει να λαμβάνονται κατά την εκτίμηση της επικινδυνότητας κάποιας εργασίας. Οι τιμές που λαμβάνονται από μετρήσεις στον κάθε χώρο εργασίας ξεχωριστά ενδέχεται να είναι υψηλότερες από τις τιμές που δηλώνονται παραπάνω. Οι πραγματικές τιμές έκθεσης και ο κίνδυνος πρόκλησης σωματικών βλαβών, στον οποίο εκτίθεται ο κάθε χρήστης ξεχωριστά καθορίζονται αποκλειστικά και μόνον από τον τρόπο με τον οποίο εργάζεται ο χρήστης. Ταυτόχρονα, σημαντικό ρόλο παίζει το αντικείμενο επάνω στο οποίο γίνεται η εργασία, η μορφολογία του χώρου εργασίας, καθώς και η διάρκεια έκθεσης και η φυσική κατάσταση του χρήστη.

Η εταιρεία CP, δεν φέρει καμία ευθύνη για τις ενδεχόμενες επιπτώσεις εάν κατά την εκτίμηση της επικινδυνότητας κάποιας εργασίας, η οποία θα εκτελεστεί σε χώρο εργασίας, στον οποίο η εταιρεία δεν έχει κανέναν απολύτως έλεγχο, αντί των πραγματικών τιμών έκθεσης χρησιμοποιηθούν οι ως άνω δηλωθείσες τιμές.

Copyright

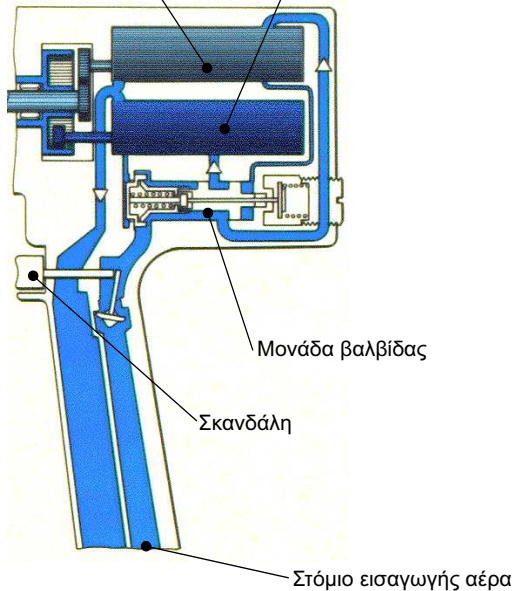
© Πνευματικά δικαιώματα 2008, CP. Με την επιφύλαξη παντός δικαιώματος. Απαγορεύεται οποιαδήποτε μη εξουσιοδοτημένη χρήση ή αντιγραφή του περιεχομένου ή μέρους αυτού. Αυτό ισχύει ιδιαίτερα για τα εμπορικά σήματα, τις ονομασίες μοντέλων, τους κωδικούς εξαρτημάτων και τα σχέδια. Να χρησιμοποιείτε μόνον εγκεκριμένα εξαρτήματα. Οποιαδήποτε βλάβη ή δυσλειτουργία προκληθεί από τη χρήση μη εγκεκριμένων εξαρτημάτων δεν καλύπτεται από την εγγύηση ή τη δήλωση αποδοχής ευθυνών του κατασκευαστή.

Αρχή λειτουργίας

Στο εσωτερικό του CP7600, μία μονάδα βαλβίδας συνδυάζει δύο σημαντικές λειτουργίες:

την καθοδήγηση του αέρα μέσω των δύο κινητήρων πεπιεσμένου αέρα και τη διακοπή της παροχής

Κινητήρας εξασθένησης Κινητήρας σύσφιξης



Εξασθένιση

Όταν τραβάτε τη σκανδάλη, ο αέρας ρέει μέσω της μονάδας βαλβίδας, οδηγώντας τον αέρα μέσω του περιστρεφόμενου κινητήρα εξασθένησης. Αυτός ο κινητήρας λειτουργεί με χαμηλή σχέση μετάδοσης δημιουργώντας υψηλή ταχύτητα και χαμηλή ροπή στρέψης.

Διακόπτης κινητήρα

Καθώς αυξάνεται το φορτίο ροπής στρέψης που εφαρμόζεται στο μηχανισμό μετάδοσης κίνησης εξόδου του CP7600, ο κινητήρας εξασθένησης επιβραδύνει, οδηγώντας σε υψηλότερη πίεση αέρα στο εσωτερικό του κινητήρα. Υπό αυτή την υψηλή πίεση, η βαλβίδα προωθείται σε άλλη θέση.

Σύσφιξη

Στη συνέχεια, ο αέρας οδηγείται μέσω του κινητήρα σύσφιξης. Ο κινητήρας αυτός λειτουργεί με υψηλή σχέση μετάδοσης δημιουργώντας χαμηλή ταχύτητα και υψηλή ροπή στρέψης.

Διακοπή παροχής

Καθώς το φορτίο ροπής στρέψης συνεχίζει να αυξάνει, ο κινητήρας σύσφιξης επιβραδύνει, οδηγώντας σε υψηλότερη πίεση αέρα στον κινητήρα. Όταν αυτή η πίεση του αέρα υπερβεί τη

προκαθορισμένη πίεση ενός ελατηρίου, ωθείται ένα έμβολο στη μονάδα βαλβίδας, αποκόπτοντας εντελώς την είσοδο του αέρα.

Ρύθμιση της διακοπής παροχής

Η πίεση του ελατηρίου προσαρμόζεται κατά τη βαθμονόμηση του εργαλείου. Συγκεκριμένη τιμή πίεσης αέρα (συνήθως, 6,3 bar/90 psi) οδηγεί σε συγκεκριμένη τιμή ροπής στρέψης.

ΠΡΟΕΙΔΟΠΟΙΗΣΗ



Τυχόν αλλαγή στην πίεση του αέρα θα επηρεάσει τη συμπεριφορά της διακοπής παροχής. Εάν η πίεση του αέρα είναι υψηλότερη από την πίεση αέρα βαθμονόμησης, η διακοπή παροχής θα λειτουργήσει νωρίτερα και η ροπή στρέψης θα είναι μικρότερη από το αναμενόμενο. Είναι πολύ σημαντικό το εργαλείο CP7600 να λειτουργεί στην πίεση αέρα που αναγράφεται στο πιστοποιητικό βαθμονόμησης, προκειμένου να επιτυγχάνεται η κατάλληλη τιμή ροπής στρέψης.

Εγκατάσταση

Ποιότητα αέρα

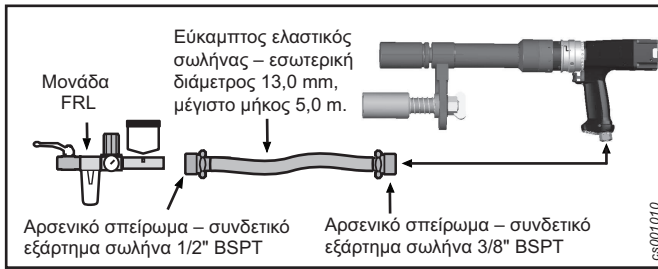
- Για βέλτιστη απόδοση και μέγιστο χρόνο ζωής του μηχανήματος συνιστάται η χρήση πεπιεσμένου αέρα με σημείο δρόσου μεταξύ +2°C και +10°C. Συνιστάται η εγκατάσταση ενός ξηραντήρα αέρα ψυκτικού τύπου.
- Χρησιμοποιήστε ένα ξεχωριστό φίλτρο αέρα για να απομακρύνετε στερεά σωματίδια μεγαλύτερα από 30 microns και περισσότερο από 90% νερού, εγκατεστημένο όσο το δυνατόν πιο κοντά στο μηχανήμα και πριν από οποιαδήποτε άλλη μονάδα παραγωγής αέρα. Καθαρίστε τον σωλήνα με ριπές αέρα πριν από τη σύνδεση.
- Ο πεπιεσμένος αέρας πρέπει να περιέχει μία μικρή ποσότητα λαδιού. Συνιστούμε ανεπιφύλακτα να εγκαταστήσετε έναν λιπαντή διάχυσης λαδιού, ρυθμισμένο φυσιολογικά σε 3-4 σταγόνες(50mm³)/m³ κατανάλωση αέρα για εργαλεία μεγάλου κύκλου λειτουργίας ή έναν λιπαντή μονού σημείου, για εργαλεία μικρού κύκλου λειτουργίας. Αναφορικά με τα εργαλεία που δεν απαιτούν λίπανση, δεν αποτελεί μειονέκτημα - κατ' επιλογή του πελάτη - εάν ο συμπιεσμένος αέρος περιέχει μια μικρή ποσότητα λαδιού που παρέχεται από λιπαντή. Εξαίρεση αποτελούν τα εργαλεία με στρόβιλο, τα οποία δεν πρέπει να έρχονται σε επαφή με λάδι. (Για περαιτέρω πληροφορίες, βλέπε τα εξαρτήματα της σειράς Air Line στον κύριο κατάλογο).

Σύνδεση πεπιεσμένου αέρα

- Το μηχανήμα έχει σχεδιαστεί για πίεση λειτουργίας (e) μεταξύ 3-7 bar = 300-700 kPa = 87-102 psi.
- Φυσήξτε με αέρα το σωλήνα προτού συνδέσετε.

Συνιστώμενη εγκατάσταση

Για να εξασφαλιστεί η σωστή απόδοση του μηχανήματος, συνιστούμε ιδιαίτερα να ακολουθήσετε την εσωκλειόμενη πρόταση εγκατάστασης από το σημείο λήψης του δικτύου αέρα έως το εργαλείο.



Χειρισμός

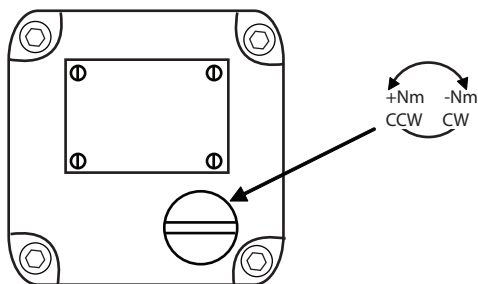
Ρύθμιση ροπής σύσφιξης

Για την ακριβή λειτουργία και την ασφάλεια, η ροπή σύσφιξης του ολισθητήρα του περικοχλίου πρέπει να ρυθμιστεί σωστά σε σχέση με το σύνδεσμο του κοχλία. Ελέγξτε τη ροπή σύσφιξης του εν λόγω συνδέσμου.

Η πίεση του αέρα που παρέχεται από τη μονάδα FRL ρυθμίζεται ανάλογα με την πίεση που αναγράφεται στο πιστοποιητικό βαθμονόμησης στο ρελαντί (η σκανδάλη είναι πιεσμένη στη μέγιστη θέση και ο ολισθητήρας του περικοχλίου μετακινείται ελεύθερα χωρίς φορτίο για λίγα δευτερόλεπτα), συνήθως 6,0 - 6,3 bar.

Επιλογέας απλής ροπής στρέψης

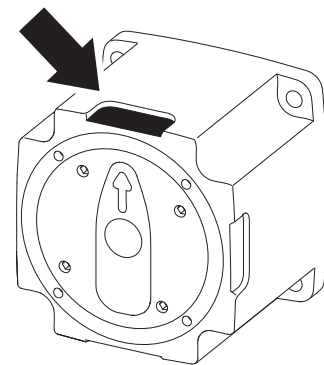
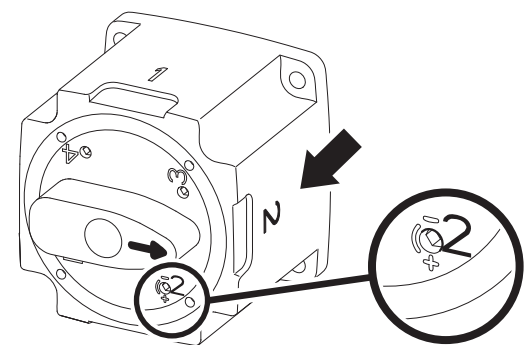
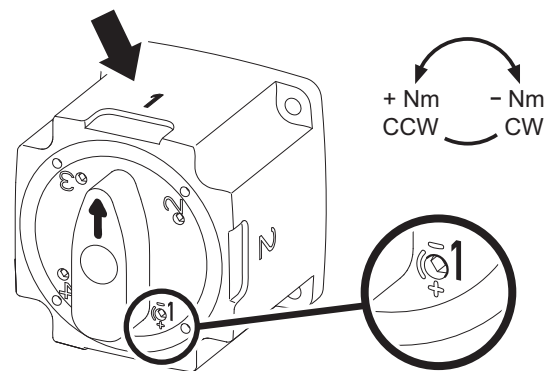
Προσαρμόστε τη ρύθμιση της ροπής στρέψης με τη βοήθεια του κλειδιού ρύθμισης. Η ροπή στρέψης αυξάνει όταν βιδώνετε τον κοχλία αριστερόστροφα. Μετά τη ρύθμιση, ελέγξτε τη ροπή σύσφιξης του εν λόγω συνδέσμου.



- ⓘ Εάν η διακοπή παροχής πραγματοποιείται σε υψηλή ταχύτητα στροφών, προκαλώντας διασπορά της ροπής σε μεγάλο βαθμό, συνιστάται να ελαττώσετε την πίεση του αέρα.

Επιλογέας 4 θέσεων

Για να ρυθμίσετε στη Ροπή στρέψης 1, γυρίστε τον περιστροφικό διακόπτη στη θέση της ένδειξης αναφοράς στο περίβλημα. Ρυθμίστε τον κοχλία ρύθμισης 1. Δείτε την ένδειξη στο διακόπτη σχετικά με το πώς μπορείτε να αυξήσετε ή να ελαττώσετε τη ροπή στρέψης. Για να ρυθμίσετε στη Ροπή στρέψης 2, γυρίστε τον περιστροφικό διακόπτη στη θέση της ένδειξης αναφοράς 2 στο περίβλημα. Ρυθμίστε τον κοχλία ρύθμισης 2.



Απομνημονεύστε τις ρυθμίσεις σας για τη ροπή στρέψης τοποθετώντας τις δικές σας ενδείξεις στα τέσσερα σημεία του περιβλήματος.

Οδηγίες λειτουργίας Επιλογή ροπής σύσφιξης

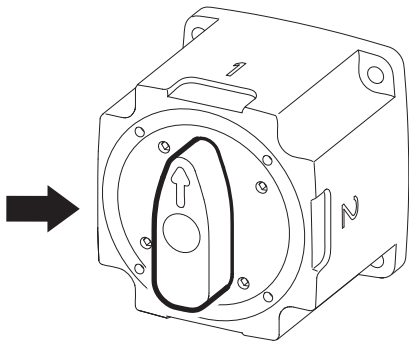
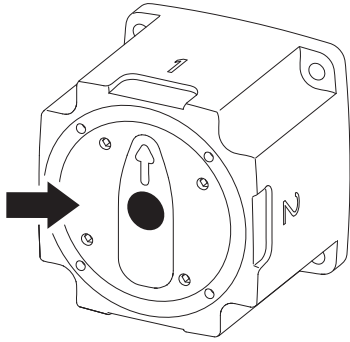
Πιέστε το μαύρο κουμπί. Γυρίστε τον περιστροφικό διακόπτη στην επιθυμητή θέση. Πιέστε τον περιστροφικό διακόπτη προς τα μέσα.

cs000800

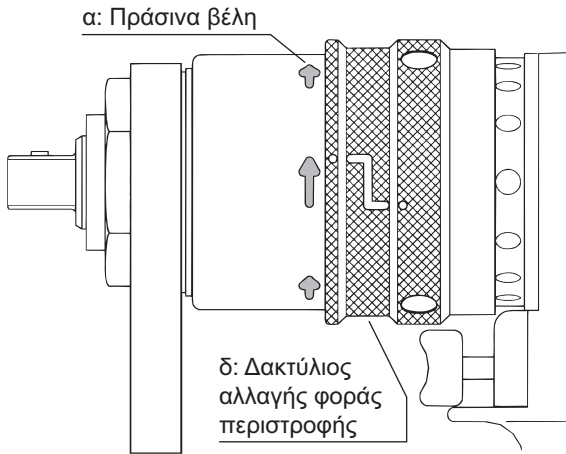
cs001040

cs000850

cs001050



Θέση του δακτυλίου αλλαγής της φοράς περιστροφής - θέση δεξιόστροφης περιστροφής

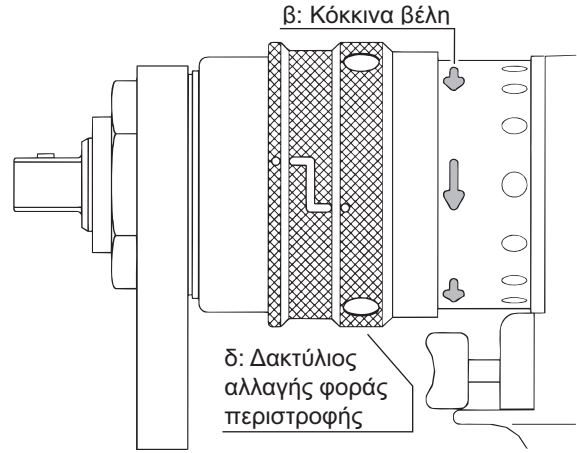


cs000810

cs001060

cs000940

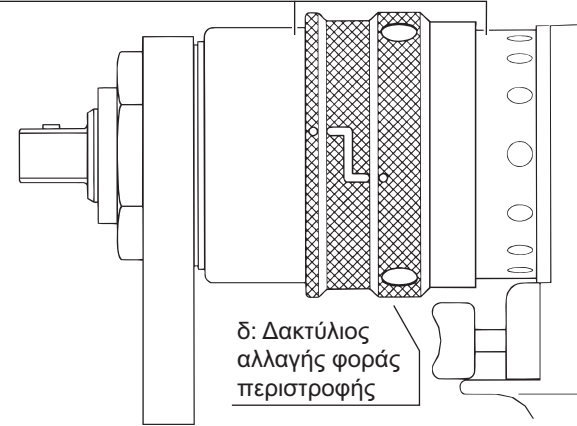
Θέση του δακτυλίου αλλαγής της φοράς περιστροφής - θέση αριστερόστροφης περιστροφής



cs000950

Θέση του δακτυλίου αλλαγής της φοράς περιστροφής - ενδιάμεση θέση

γ: Δεν υπάρχουν ορατά βέλη



cs000960

Οδηγίες για την αντιστροφή

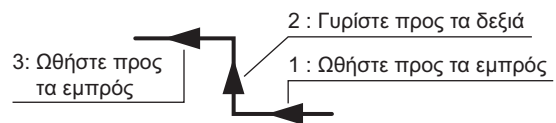
Επειδή δεν υπάρχει αυτόματη επιστροφή του επιλογέα αλλαγής φοράς σε μια σταθερή θέση, πάντοτε να ελέγχετε, προτού θέσετε σε λειτουργία, εάν ο επιλογέας αλλαγής φοράς βρίσκεται στη θέση αριστερόστροφης ή δεξιόστροφης περιστροφής, στις οποίες φαίνονται σαφώς όλα τα βέλη.

ΠΡΟΕΙΔΟΠΟΙΗΣΗ



Ποτέ μην αλλάζετε τη φορά περιστροφής ενόσω το μηχάνημα λειτουργεί.
 Ποτέ μην εκκινείτε το μηχάνημα με τον επιλογέα αλλαγής φοράς στη μεσαία θέση.

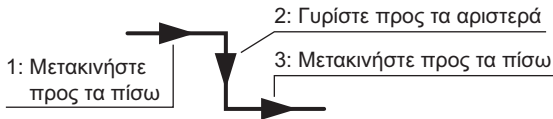
Κρατήστε με το χέρι το δακτύλιο αλλαγής φοράς περιστροφής και μετακινήστε τον προς τα εμπρός – δεξιά – προς τα εμπρός. Δείτε το Σχήμα παρακάτω.



cs000970

Τα κόκκινα βέλη υποδεικνύουν την κατεύθυνση λειτουργίας, δηλαδή, το μηχάνημα θα ξεκινήσει με δεξιόστροφη - αριστερόστροφη περιστροφή όταν το εκκινήσετε.

Όταν αλλάζετε πίσω στη θέση δεξιόστροφης περιστροφής, τραβήξτε το δακτύλιο προς τα πίσω - αριστερά - πίσω. Δείτε το Σχήμα παρακάτω.



cs000980

Τα πράσινα βέλη υποδεικνύουν την κατεύθυνση λειτουργίας, δηλαδή, το μηχάνημα θα ξεκινήσει με δεξιόστροφη περιστροφή όταν το εκκινήσετε. Στις δύο θέσεις, δεν είναι απαραίτητο να κρατάτε το δακτύλιο με το χέρι.

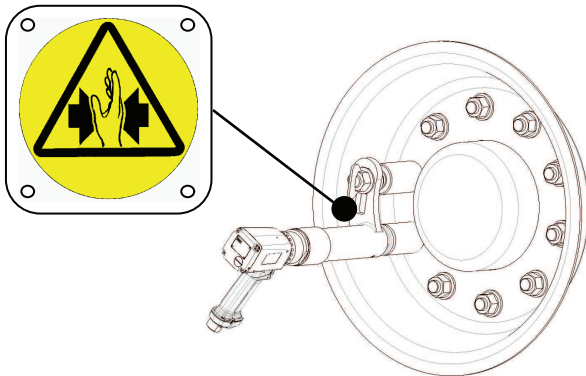
Εκτεταμένος βραχίονας αντίδρασης με τοποθέτηση ελατηριωτού σωλήνα

Ρυθμίστε την απόσταση από κέντρο σε κέντρο ανάμεσα στην υποδοχή και τα αντίστοιχα περικόχλια του ελατηριωτού σωλήνα για σύσφιξη/χαλάρωση.

Βεβαιωθείτε ότι ο ελατηριωτός σωλήνας εφαρμόζει σταθερά κατά μήκος του βραχίονα αντίδρασης.

Εφαρμόστε τη ράβδο αντίδρασης στην επιθυμητή θέση προτού εκκινήσετε το μηχάνημα.

Ο βραχίονας αντίδρασης πρέπει να τοποθετηθεί έτσι να μπορεί οπωσδήποτε να περιστρέφεται γύρω από την πλήμνη.



cs001020

Συντήρηση

ΓΙΑ ΑΝΩΤΑΤΗ ΑΠΟΔΟΣΗ

Σε συνθήκες σκληρής εργασίας - μαλακές ενώσεις και ρύθμιση στο άνω όριο - συνιστάται η λίπανση του πεπιεσμένου αέρα.

Σε περίπτωση υπερβολικά ξηρού αέρα συνιστάται να βάλετε 0.1 ως 0.2 χιλιοστά του λίτρου όταν μπορείτε. Σε περίπτωση σκληρών συνδέσμων και χαμηλών ρυθμίσεων ροπής, η μείωση της ελεύθερης ταχύτητας με τη βαλβίδα ρύθμισης θα αυξήσουν την ακρίβεια. Αυτό θα αυξήσει την απόδοση του εργαλείου. Σε περίπτωση σκληρών συνδέσμων και χαμηλών ρυθμίσεων ροπής, η μείωση της ελεύθερης ταχύτητας με τη βαλβίδα ρύθμισης θα αυξήσουν την ακρίβεια. Ελέγχετε πάντοτε τη ροπή σύσφιξης με την παρούσα ένωση μετά τη ρύθμιση.

ΠΡΟΣΤΑΣΙΑ ΚΑΤΑ ΤΗΣ ΣΚΟΥΡΙΑΣ ΚΑΙ ΕΣΩΤΕΡΙΚΟΣ ΚΑΘΑΡΙΣΜΟΣ

Το νερό που τυχόν περιέχεται στο πεπιεσμένο αέρα, η σκόνη και τα σωματίδια φθοράς προκαλούν σκουριά και κόλλημα των βαλβίδων και των στροφιγγών. Θα πρέπει να εγκαταστήσετε ένα φίλτρο αέρα κοντά στο εργαλείο, (μελετήστε το τμήμα "Ποιότητα

αέρα"). Πριν από παύσεις διαρκείας, τοποθετήστε μερικές σταγόνες λαδιού στην εισαγωγή του αέρα και αφήστε το εργαλείο να λειτουργήσει για 5 - 10 δευτερόλεπτα, την ώρα που απορροφάτε το παραπανίσιο λάδι με ένα ύφασμα.

Οδηγίες γενικής συντήρησης

Συνιστάται ο γενικός έλεγχος και η προληπτική συντήρηση σε τακτά χρονικά διαστήματα μία φορά το χρόνο ή μετά από 250.000 συσφίξεις το πολύ, ανάλογα με το ποιο θα συμβεί πρώτο. Ενδέχεται να χρειάζεται συχνότερος γενικός έλεγχος, εάν το μηχάνημα χρησιμοποιείται σε υψηλές τιμές ροπής στρέψης και για μεγάλα χρονικά διαστήματα σε εργασίες σύσφιξης. Εάν το μηχάνημα δεν λειτουργεί σωστά, πρέπει να φροντίσετε για την άμεση επιθεώρησή του.

Η σήτα στο στόμιο εισόδου του αέρα και ο σιγαστήρας του συστήματος εξάτμισης πρέπει να καθαρίζονται συχνά ή να αντικαθίστανται προκειμένου να παρεμποδίζεται η έμφραξή τους, η οποία θα έχει ως αποτέλεσμα την ελάττωση της απόδοσης.

Κατά τους γενικούς ελέγχους, όλα τα τμήματα πρέπει να καθαρίζονται με προσοχή και τυχόν ελαττωματικά ή φθαρμένα τμήματα (π.χ. οι δακτύλιοι κυκλικής διατομής, οι βάνες) πρέπει να αντικαθίστανται.

Αποσυναρμολόγηση / συναρμολόγηση

Είναι σημαντικό οι κοχλιωτές συνδέσεις του μηχανήματος να έχουν συσφιχτεί σωστά, δηλαδή σύμφωνα με τις προδιαγραφές που αναγράφονται στις αναλυτικές απεικονίσεις.

Πριν από τη συναρμολόγηση, λιπαίνετε με γράσο τους δακτυλίους κυκλικής διατομής και τις κοχλιωτές συνδέσεις.

Καθαρισμός

Καθαρίζετε προσεκτικά όλα τα τμήματα με ορυκτό τερεβινθέλαιο ή παρόμοια καθαριστική ουσία.

Για την αποφυγή εμφράξεων και μειωμένης ισχύος, ενδέχεται να είναι απαραίτητο να καθαρίζετε τη σήτα (εάν χρησιμοποιείται φίλτρο) και το φίλτρο καυσαερίων στα διαστήματα μεταξύ των γενικών ελέγχων.

Επιθεώρηση

Μετά τον καθαρισμό, επιθεωρείτε όλα τα τμήματα. Τυχόν ελαττωματικά και φθαρμένα τμήματα πρέπει να αντικαθίστανται.

Λίπανση

Λιπαίνετε ειδικά τους οδοντωτούς τροχούς, τη βαλβίδα και το συμπλέκτη με γράσο που περιέχει διθειούχο μολυβδαίνιο (π.χ. Molykote BR2 Plus). Παρακαλούμε ανατρέξτε στις αναλυτικές απεικονίσεις και τα σχήματα στις οδηγίες γενικής συντήρησης.

Οδηγός επιλογής γράσου για τους ολισθητήρες των περικοχλίων

Μάρκα	Έδρανα (γενικού σκοπού)	Μονάδα ελεύθερου τροχού (στεφάνη οδοντωτού τροχού και οδοντοτροχοί)	Ελεύθερος τροχός
BP	Energrease LS-EP2		Energrease LS-EP2
Castrol	Spheerol EP L2		
Esso	Beacon EP2		Beacon EP2
Q8	Rembrandt EP2		Rembrandt EP2
Mobil	Mobilegrease XHP 222		
Shell	Alvania EP2		Alvania EP2
Texaco	Multifak EP2		
Molycote			
Lubricating		Suntemp LE 9102	
STP		Oil treatment	

Μάρκα	Οδοντωτοί τροχοί	Air λίπανση
Bp		Energol E46
Castro		
Esso		AroxEP46
Q8		Chopin 46
Mobil		Almo oil 525
Shell		Torcula 32
Texaco		Aries 32
Molycote	BR2 Plus	

Οδηγίες ασφαλείας

Προειδοποίηση

Βεβαιωθείτε ότι έχετε εξοικειωθεί με τις οδηγίες λειτουργίας προτού χρησιμοποιήσετε αυτό το μηχάνημα.

Το μηχάνημα, μαζί με τυχόν παρελκόμενα και εξαρτήματα, δεν πρέπει ποτέ να χρησιμοποιείται για σκοπό διαφορετικό από αυτόν για τον οποίο προορίζεται.

Πρέπει να τηρούνται συνεχώς όλοι οι τοπικά νομοθετημένοι κανόνες ασφαλείας σε ό,τι αφορά στην εγκατάσταση, τη λειτουργία και τη συντήρηση.

Για την εγκατάσταση και τη γενική συντήρηση, αποταθείτε αποκλειστικά σε εξειδικευμένο προσωπικό.

Προτού πραγματοποιήσετε τυχόν ρυθμίσεις (π.χ. αλλαγή υποδοχών), αποσυνδέστε το μηχάνημα από τη γραμμή παροχής πεπιεσμένου αέρα.

Ελέγχετε την κατεύθυνση περιστροφής προτού χρησιμοποιήσετε το μηχάνημα.

Οι χειριστές των ολισθητήρων των περικοχλίων με ράβδο ροπής αντίδρασης πρέπει να είναι ιδιαίτερα προσεκτικοί για την αποφυγή τραυματισμών λόγω σύνθλιψης. Για λόγους ασφαλείας – ποτέ μην επιτρέψετε σε κανέναν να χειριστεί το μηχάνημα εκτός και αν είναι εκπαιδευμένος και εξοικειωμένος σε βάθος με τον τρόπο λειτουργίας του μηχανήματος υπό διαφορετικές συνθήκες. Ανατρέξτε στην ενότητα με τίτλο «Ράβδος αντίδρασης».

Το μηχάνημα μπορεί να χρησιμοποιείται μόνο μαζί με την αντίστοιχη ράβδο ροπής αντίδρασης, η οποία προσαρμόζεται στον ανάλογο κοχλιωτό σύνδεσμο. Ανατρέξτε επίσης στις οδηγίες της ενότητας με τίτλο «Ράβδος αντίδρασης».

Ποτέ μην τοποθετείτε τα χέρια σας επάνω ή κοντά στη ράβδο αντίδρασης ενόσω το μηχάνημα χρησιμοποιείται.

Βεβαιωθείτε ότι η υποδοχή ρεύματος έχει εφαρμόσει σωστά. Αντικαταστήστε τον πείρο συγκράτησης ή ασφάλισης όταν είναι απαραίτητο. Επίσης, αντικαταστήστε κάθε φθαρμένη υποδοχή.

Διατηρείτε τα χέρια, τα μακριά μαλλιά ή άλλα αντικείμενα μακριά από την περιστρεφόμενη υποδοχή.

Όταν χρησιμοποιείτε δακτύλιο ανάρτησης, να ελέγχετε εάν βρίσκεται σε καλή κατάσταση και αν έχει εφαρμόσει σωστά.

ΕΓΓΥΗΣΗ CP

- 1) Το συγκεκριμένο προϊόν CP καλύπτεται από εγγύηση που αφορά ελαττώματα στην εργασία ή τα υλικά και η οποία έχει μέγιστη διάρκεια 12 μηνών από την ημερομηνία αγοράς του προϊόντος από την εταιρεία CP ή τους αντιπροσώπους της με την προϋπόθεση ότι, κατά τη διάρκεια της περιόδου αυτής, η χρήση του προϊόντος δεν υπερβαίνει τη διάρκεια της κανονικής βάρδιας. Εάν η διάρκεια χρήσης του προϊόντος υπερβαίνει τη διάρκεια της κανονικής βάρδιας, η διάρκεια ισχύος της εγγύησης θα μειωθεί αναλόγως.
- 2) Εάν, κατά τη διάρκεια ισχύος της εγγύησης, το προϊόν εμφανίσει ελαττώματα στην εργασία ή τα υλικά, θα πρέπει να επιστραφεί στην εταιρεία CP ή τις αντιπροσωπίες της, συνοδευόμενη από σύντομη περιγραφή του ελαττώματος που εντοπίστηκε. Η εταιρεία CP, κατά την αποκλειστική της ευχέρεια, θα επισκευάσει ή θα αντικαταστήσει, χωρίς χρέωση, τα αντικείμενα που θα κριθούν ελαττωματικά από πλευράς εργασίας ή υλικών.
- 3) Αυτή η εγγύηση παύει να ισχύει σε περίπτωση κατάχρησης ή ακατάλληλης χρήσης του προϊόντος, καθώς και στην περίπτωση τροποποίησης ή επισκευής των προϊόντων με χρήση μη γνήσιων ανταλλακτικών CP ή στην περίπτωση επισκευών που θα πραγματοποιηθούν από τεχνικούς που δεν αποτελούν προσωπικό της CP ή των εξουσιοδοτημένων αντιπροσωπειών της.
- 4) Τα έξοδα με τα οποία θα επιβαρυνθεί η CP για την επισκευή βλαβών που προήλθαν από κατάχρηση, κακή χρήση, ατύχημα ή μη εξουσιοδοτημένες τροποποιήσεις, θα γίνουν απαιτητά στο ακέραιο.
- 5) Η CP δεν αποδέχεται την ευθύνη για χαμένες ώρες εργασίας ή άλλες ζημιές που θα προκληθούν εξαιτίας των ελαττωματικών προϊόντων.
- 6) Εξαιρούνται ρητώς οποιεσδήποτε άμεσες, έμμεσες ή παρεπόμενες ζημιές που θα προέλθουν από ελαττωματικά προϊόντα.
- 7) Αυτή η εγγύηση αντικαθιστά όλες τις υπόλοιπες εγγυήσεις ή τους ρητούς ή έμμεσους όρους, όσον αφορά την ποιότητα, την εμπορευσιμότητα ή την καταλληλότητα για συγκεκριμένο σκοπό.
- 8) Κανένας, ούτε αντιπρόσωπος, ούτε συνεργάτης, ούτε εργαζόμενος της CP, δεν έχει την άδεια να κάνει προσθήκες ή τροποποιήσεις στους όρους της συγκεκριμένης περιορισμένης εγγύησης με οποιονδήποτε τρόπο.

说用手册

本产品旨在用于安装和拆卸木材、金属和塑料中的螺纹紧固件，不得作为他用，而且只有专业人员才能使用。

主要特点

力矩范围	300-900 Nm
空转转速	100 r/mn (tr/mn)
工作压力	3-7 bar
空气消耗	19 l/s (40CFM)
重量	
CP7600 C	6.8 kg
CP7600 C-R	7.4 kg
CP7600 C-4P	7.1 kg
CP7600 C-R4P	7.7 kg

发出的噪声和震动

噪声按 ISO15744 dB(A) 规定	dB(A)
测定的声压级	79
确定的声功率级	
工艺到生产需增值系数	3

震动按 ISO 8662-7	m/s ²
测定的震动值	<2.5
工艺到生产需增值系数	

噪声和震动辐射声明

这些公布的数字从按照规定标准进行的实验室测试中而得，能用作进行风险评估的依据。在各个工作地点测定的数值可能高于公布的数值。各个用户的实际暴露值及其受伤危险程度各相同，这取决于用户的操作方式、工件和工作场所的设计、暴露时间和用户的身体条件。如果在我们无法控制的工作环境中使用公布的值而非反映实际暴露的值进行各个风险评估，CP 会对因此而产生的任何后果负责。

Part no	8940166747
Issue no	1
Series no	1
Date	2010-01
Page	86



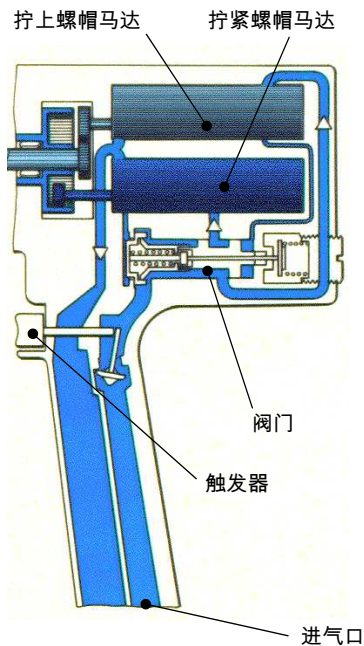
Copyright

© Copyright 2008, CP. 保 所有权。未经授权 得使用和复制其中全部 或部分內容，特别是商标、型号名称、件号及图 形。只能使用获得授权的部分內容。对于因未经授权使用而导致的任何损坏或故障，均在“担保或 产品保证”范围之内。

原理

CP7600系列螺帽扳手里有一个阀门，阀门起到两个关键性作用：

一是推动空气穿过两个气动马达，二是切断工具的空气供应。



拧上螺帽

拉动触发器时，空气流经阀门，驱动空气通过旋转的拧上马达。马达驱动低传动比齿轮，产生高速和小力矩。

马达开关

当扭转载荷加在CP7600系列螺帽扳手上时，输出驱动力增加，拧上马达转速放慢。在比较高压下，阀门被推到另一位置。

拧紧

接着，空气受到驱动，流经拧紧马达。马达驱动高传动比齿轮，产生低速和高力矩。

关闭

扭转载荷继续增加，拧紧马达转速放慢，导致马达中的气压上升。当空气压力超过弹簧的调节压力时，阀门中的一个活塞被推动，将整个进气口关闭。

关闭的调节

弹簧的压力在校准工具时调节。特定的空气压力（通常为6.3 bar/90 psi）产生特定的力矩。

警告



空气压力的变化将会影响关闭动作。空气压力高于校准压力，关闭操作提前，力矩比预计的低。为了获得适当力矩，按校准证书注明的空气压力使用CP7600系列螺帽扳手至关重要。

安装

空气质量

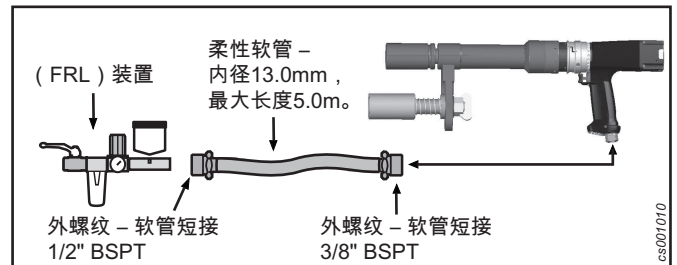
- 为了使机器获得最佳性能和最大使用寿命，我们建议使用露点为+2° C至 +10° C的压缩空气，安装一个制冷式空气干燥器。
- 使用单独的空气过滤器，将大于30 微米、含水量大于90%的固体颗粒过滤掉。过滤器的安装位置要放在其他空气制备装置之前，尽可能靠近机器（参见我公司产品总目录的空气管路附件）。连接时，要将软管吹扫干净。
- 压缩空气必须含有少量的润滑油。我们建议安装一个油-雾注油器，注油气的耗油量，长期使用的工具通常为3-4滴(50mm³)/m³ 空气，短期使用的工具采用单点注油器。如果客户选用非润滑工具，压缩空气中含有少量的由注油器提供的润滑油也没有什么坏处。但涡轮机工具是个例外，不得含有润滑油。

压缩空气的连接

- 本机设计的工作压力(e)为3 - 7 bar = 300 - 700 kPa = 87 - 102 psi.
- 连接之前将软管吹扫干净。

安装建议

为了确保机器具有正确的功率，从空气网络放气点至机器之间，我们强烈建议按照随函寄上的安装意见进行安装。



设置

拧紧力矩的设置

为了准确操作和安全起见，螺帽扳手的拧紧力矩必须根据螺帽管接头正确设置。检查所述连接的给定拧紧力矩。

由空气过滤调节润滑（FRL）装置提供的空气压力根据校准证书注明的压力进行设置，在无负载速度（触发器全部压下，螺帽扳手无载自由运行两三分钟）条件下通常为6.0 - 6.3 bar。

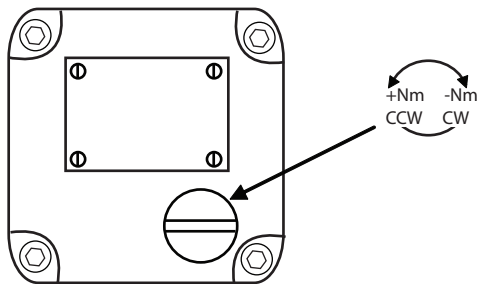
单力矩选择器

利用调节键对力矩设置进行调节。逆时针旋转调节螺栓，力矩增加。调节后检查所述连接的给定拧紧力矩。

cs000870

cs001010



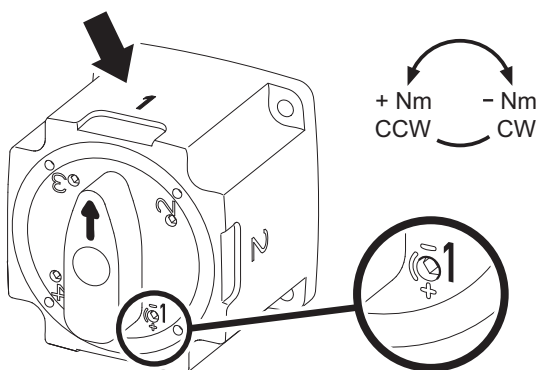


c000850

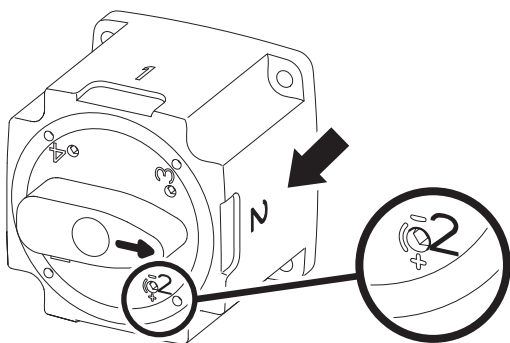
ⓘ 在高速旋转条件下关闭会产生很大的力矩偏差，在这种情况下建议降低空气压力。

4位置选择器

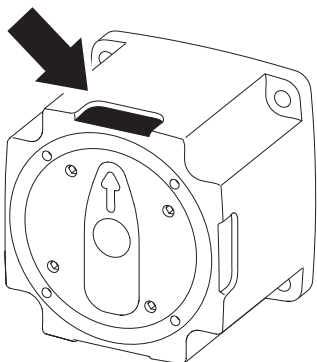
为了设置力矩1，可将旋转开关拧到机壳上的参考标志处。设置调节螺栓1，通过开关上的标记查看力矩如何增减。为了设置力矩2，可将旋转开关拧到机壳上的参考标志处2，然后设置调节螺栓2。



cs000800



cs001040

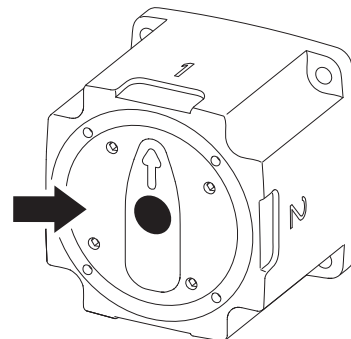


cs001050

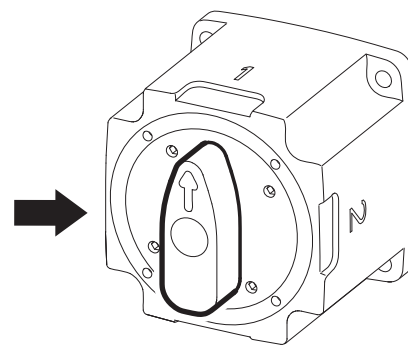
在机壳的4个地方作上你自己的标记，记住你设置的力矩。

操作说明 拧紧力矩选择

按黑色按钮，将旋转开关拧到需要位置。将旋转开关推回。



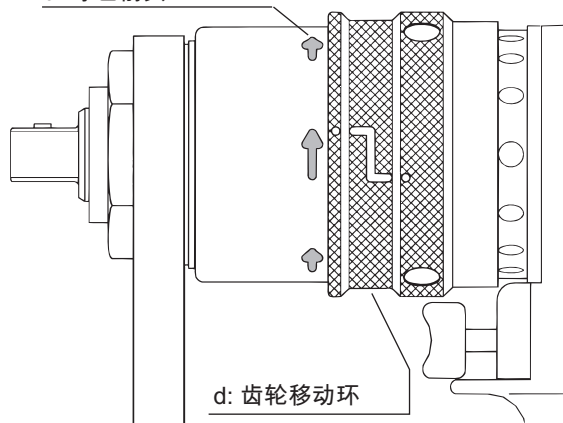
cs000810



cs001060

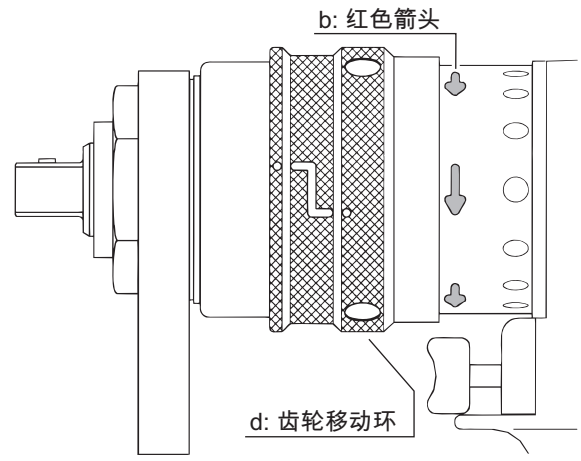
齿轮移动环位置 - 顺时针齿轮位置

a: 绿色箭头



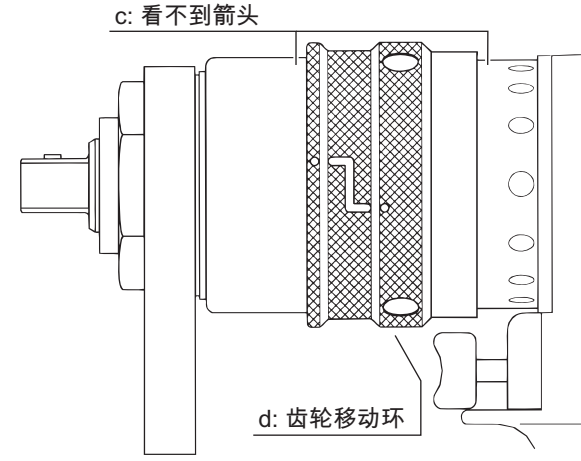
cs000940

齿轮移动环位置 - 逆时针齿轮位置



cs000950

齿轮移动环位置 - 中间齿轮位置



cs000960

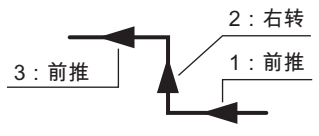
换向说明

由于不能使齿轮自动返回某固定位置，因此在启动前总要检查一下齿轮移位是顺时针还是逆时针，而且各种箭头是否清楚可见。

警告

机器运行中不要移动齿轮。
齿轮移动到中间位置时不要启动机器。

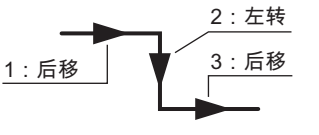
用手抓住齿轮移动环，向前 - 向左 - 向前推动，见下图。



cs000970

红色箭头表示机器的运行方向，即启动时逆时针运行。

如果要回到顺时针位置，向后 - 向左 - 向后拨动移位环，参见下图。



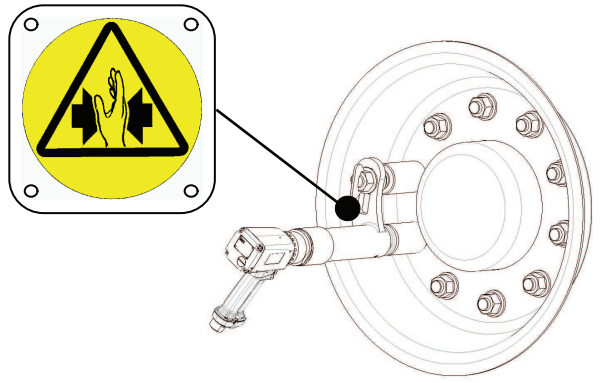
cs000980

绿色箭头也表示机器的运行方向，即启动时顺时针运行。无需用手使移位环保持在两个位置上。

装有弹簧加压管定位器的伸展反应臂

根据螺帽的拧紧/放松情况调节套管和弹簧加压管之间的中心距。

- 检查弹簧加压管沿反应臂装配得是否牢固。
- 机器启动前将反应臂放在需要位置。
- 反应臂必须绝对地围绕轮毂旋转。



cs001020

保养

为了最佳性能

为了使机器达到最佳性能和无故障运行，机器必须定期润滑。马达采用润滑油进行润滑，可将几滴润滑油加到压缩空气中，也可直接加入进气口。

在机器的正常大修期间，触发器、行星齿轮、滚针轴承和球轴承都要用润滑脂润滑。

锥齿轮和离合器必须采用含有二硫化钼的润滑脂，例如 Molykote BR2 Plus 或品牌与之相当的润滑脂润滑。

使用的润滑剂要求质量好，例如我们建议使用下表所列润滑油和润滑脂。

防锈和内部清洗

压缩空气中的水分，灰尘和研磨颗粒会引起叶片和阀门等锈蚀和粘结。靠近机器的地方应该安装一个空气过滤器（见“空气质量”）。

维修说明

建议每年或最多拧紧250,000次后定期大修和预防性维修一次，以最先发生者为准。如果用于大力矩或拧紧时间较长，可能经常需要大修。如果机器工作异常，应该立即送检。

进气口的空气过滤网和消声器要经常清洗或更换，以防止堵塞，堵塞后会降低机器的工作能力。

大修时，全部零件都要认真清洗，有缺陷的或磨损件（例如密封圈和叶片）要更换。

拆卸和组装

机器的螺纹连接件要适当拧紧，例如按照部件分解图标示的技术规格拧紧至关重要。

ⓘ 组装前需要使用润滑脂对密封圈和螺纹连接件进行润滑。

清洗

用石油溶剂或类似的清洗剂彻底清洗全部零件。

为了防止堵塞和功率降低，有必要在两次大修之间清洗一次过滤网（如果使用的话）和排气滤清器。

检验

清洗后检验全部零件。损坏和磨损件必须更换。

润滑

特别是各种齿轮、阀门和离合器要采用含有二硫化钼的润滑脂（例如Molykote BR2 Plus）进行润滑。参见分解图和维修说明中的图表。

螺帽扳手润滑脂指南

品牌	轴承（常规用途）	游滑轮组件（齿轮缘和齿轮）	游滑轮
BP	Energrease LS-EP2		Energrease LS-EP2
Castrol	Spheerol EP L2		
Esso	Beacon EP2		Beacon EP2
Q8	Rembrandt EP2		Rembrandt EP2
Mobil	Mobilegrease XHP 222		
Shell	Alvania EP2		Alvania EP2
Texaco	Multifak EP2		
Molycote			
Lubricating		Suntemp LE 9102	
STP		Oil treatment	

品牌	齿轮	空气润滑
Bp		Energol E46
Castro		
Esso		AroxEP46
Q8		Chopin 46
Mobil		Almo oil 525
Shell		Torcula 32
Texaco		Aries 32
Molycote	BR2 Plus	

安全说明

警告

使用本机之前一定要熟悉操作说明。

本机及其任何附件和配件，除了指定目的外，不得用于任何其他目的。

任何时候都要尊重当地制定的安全规程。

只有合格人员才能对机器进行安装和维修。

进行任何调节之前（例如更换套管）都要断开机器和压缩空气管线的连接。

使用机器之前检查机器的旋转方向。

带有力矩反应臂的螺帽扳手的操作员要特别注意防止因挤压而受到伤害。出于安全原因，任何人在没有经过培训，完全熟悉机器在不同环境中如何工作之前均不得操作机器。参见题为“反应臂”一节。


本机只能与其配套的力矩反应臂一起使用，这种反应臂与使用的螺管接头相适应。

使用机器时，手不要放在反应臂上或靠近反应臂。

检查电源插座是否固定好。视需要更换定位销或锁定销。更换有任何磨损的插座

手、长发和其他物体要远离旋转管座。

使用悬吊台时，要检查悬吊台状况是否良好，固定是否正确。

Part no	8940166747	
Issue no	1	
Series no	1	
Date	2010-01	
Page	90	

CP 保证

- 1) CP 产品保证无工艺或材 缺陷，并具有自从 CP 或其代 商购买之日起 12 个月的最长保证期，条件是在此期间 产品仅限于单班操作。如果使用 超过 单班操作，则保 证期应按比 缩减。
- 2) 保证期内，如果产品出现 工艺或材 缺陷，应将其退回 CP 或其代 商，并附上缺陷的简短说明。CP 应行使完全 酌情权，对被认为有工艺或材 缺陷的产品做免费维修或 更换处 。
- 3) 此保证将对下 产品停止适用：被滥用、误用或修改 的 产品，使用非真正 CP 备用 件维修过的产品及由非 CP 或其授权服务机构人员维修过的产品。
- 4) 若 CP 在矫正源于滥用、误用、意外损坏或非授权更改的 缺陷时发生 任何费用，他们将要求对方全额支付这笔费 用。
- 5) CP 接受由于缺陷产品造成的人工费或其它费用的索赔。
- 6) 明确排除源于缺陷的任何直接、偶然或必然损害赔偿金。
- 7) 此保证将代替关于质 、商品适销性或特定用途的适用性 等方面的所有其它（条件性、明示或暗示的）保证。
- 8) 任何人（无论是 CP 的代 商、服务人员还是职员）都无 权以任何方式添加或修改此有限保证的各项条款。



UŽIVATELSKÝ MANUÁL

Tento výrobek slouží k uchycení závitových šroubů do dřeva, kovu a plastu. Použití k jinému účelu není dovoleno. Výrobek je určen výhradně k profesionálnímu použití.

Základní technické údaje

Kroutící moment:	300-900 Nm
Otáčky naprázdno:	100 ot/min
Pracovní tlak:	3 – 7 barů
Spotřeba stlačeného vzduchu:	19 l/s (40CFM)
Hmotnost:	
CP7600 C	6.8 kg
CP7600 C-R	7.4 kg
CP7600 C-4P	7.1 kg
CP7600 C-R4P	7.7 kg

Hladina hluku a vibrací

Hladina hluku podle ISO15744	dB(A)
Naměřená hladina akustického tlaku	79
Stanovená hladina akustického výkonu	
Rozptyl metody a výroby	3

Vibrace podle normy ISO 8662-7	m/s ²
Naměřená hodnota vibrací	<2.5
Rozptyl metody a výroby	

Prohlášení o hlučnosti a vibracích

Tyto deklarované hodnoty byly zjištěny při laboratorním testování nového výrobku v souladu s uvedenými normami a nelze je používat k hodnocení rizikovosti. Hodnoty naměřené na jednotlivých pracovištích mohou být vyšší než deklarované hodnoty. Skutečné hodnoty hluku a vibrací a s tím související negativní vlivy na konkrétního uživatele jsou jedinečné a závisí na způsobu, jakým uživatel pracuje, na uspořádání pracoviště a zpracovávaného kusu a také na době, po kterou je uživatel působení těchto vlivů vystaven, a na jeho fyzické kondici. Společnost CP nezodpovídá za následky, pokud budou pro účely hodnocení jednotlivých rizik na konkrétních pracovištích v situacích, jež nemůžeme nijak ovlivnit, použity deklarované hodnoty namísto hodnot odrážejících skutečnou expozici uživatele těmto negativním vlivům.

Part no	8940166747
Issue no	1
Series no	1
Date	2010-01
Page	92

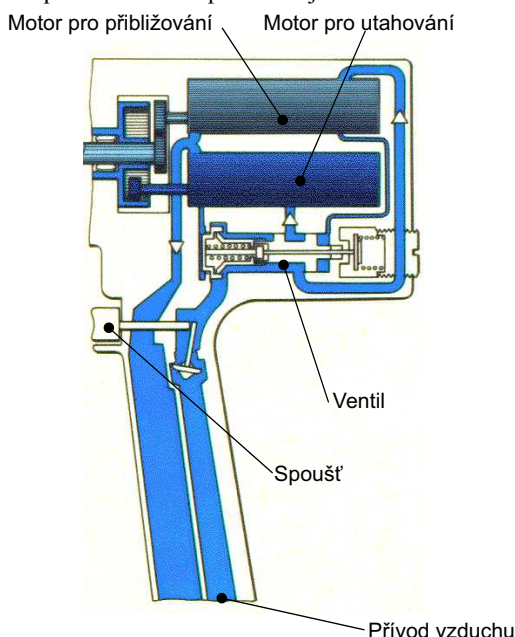


Copyright

© Copyright 2008, CP Všechna práva vyhrazena. Jakékoli neoprávněné použití nebo kopírování obsahu tohoto dokumentu nebo jeho části je zakázáno. Toto platí zejména pro ochranné známky, označení modelu, čísla součástí a výkresy. Používejte pouze originální díly. Záruka ani odpovědnost za výrobek se nevztahují na žádné škody nebo nefunkčnost způsobené použitím neoriginálních dílů.

Funkční princip

Ventil uvnitř nástroje CP7600 zajišťuje 2 hlavní funkce:
vede vzduch na dva pneumatické motory
a vypíná přívod vzduchu pro nástroj.



cs000870

Přibližování

Po stisknutí spouště proudí stlačený vzduch přes pneumatický ventil a napájí přibližovací motor, který se otáčí. Tento motor pohání lehký převod, který zajišťuje vysokou rychlost a slabý krouticí moment.

Přepínání motoru

Čím víc krouticí moment na výstupu nástroje CP7600 sílí, tím víc přibližovací motor zpomaluje a proto se tlak vzduchu v motoru zvyšuje. Působením tohoto vyššího tlaku mění ventil polohu.

Utahování

Vzduch je pak veden na motor pro utahování. Tento motor pohání těžký převod, který zajišťuje pomalou rychlost a silný krouticí moment.

Vypnutí

Čím víc krouticí moment sílí, tím utahovací motor zpomaluje a proto se tlak vzduchu v motoru zvyšuje. Pokud tlak vzduchu přesáhne hodnotu nastavenou na pružině, píst ventilu se zatlačí a dojde k úplnému přerušování dodávky vzduchu.

Nastavení vypnutí

Tlak pružiny je nastavený při zadávání základních hodnot nástroje. Daná hodnota tlaku vzduchu (obvykle 6,3 barů/90psi) odpovídá určitému momentu.

VAROVÁNÍ



Změna tlaku vzduchu ovlivní reakci vypínací funkce. Pokud je tlak vzduchu vyšší než předem nastavená hodnota, vypnutí proběhne dříve a krouticí moment bude slabší než je požadovaný. Je velmi důležité, aby nástroj CP7600 pracoval s tlakem vzduchu uvedeným na kalibračním protokolu, který zaručí dosažení požadovaného krouticího momentu.

Instalace

Kvalita vzduchu

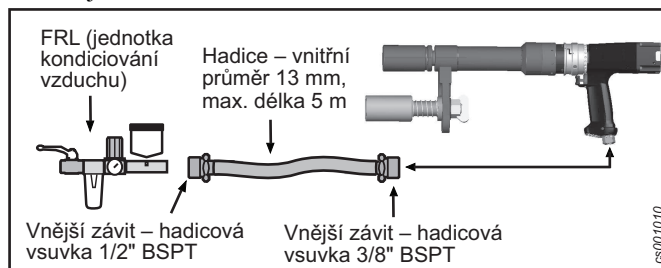
- Pro získání optimálního výkonu a maximální životnosti nástroje doporučujeme používat stlačený vzduch s rosným bodem od +2°C do +10°C. Dále se doporučuje instalace chladicího vysoušeče stlačeného vzduchu.
- Používejte samostatný vzduchový filtr k odstranění pevných částic větších než 30 mikronů a více než 90 % vody v tekutém stavu. Filtr má být nainstalován co nejbližší k nástroji a před jakýmkoliv zařízením na zpracování vzduchu. Před připojením profoukněte hadici.
- Stlačený vzduch musí obsahovat malé množství oleje. Pro nástroje s dlouhým cyklem důrazně doporučujeme instalaci rozprašovací maznice na olej, která je obvykle seřizená na 3 – 4 kapky (50mm³) na m³ spotřebovaného vzduchu, pro nástroje s krátkým cyklem doporučujeme maznici pro lokalizované mazání.
- Pro nástroje, které nevyžadují mazání, záleží na zákazníkovi a není na závalu, pokud stlačený vzduch obsahuje malé množství oleje z maznice. Výjimku tvoří nástroje s turbínou, které nesmí obsahovat olej. (viz kapitola Příslušenství našeho hlavního katalogu).

Připojení stlačeného vzduchu

- Nástroj je zkonstruován tak, že jeho pracovní tlak (e) má být 3 – 7 barů = 300–700 kPa = 87–102 psi.
- Před připojením profoukněte hadici.

Doporučená instalace

Aby byl zaručen optimální výkon nástroje, důrazně doporučujeme dodržení níže uvedeného postupu pro připojení přívodu vzduchu k nástroji.



cs001010

Manipulace

Nastavení krouticího momentu

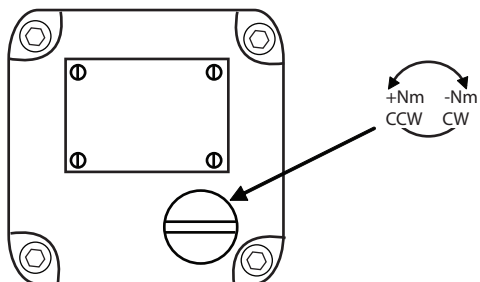
Pro zajištění bezpečnosti a správného fungování nástroje je třeba přesně nastavit krouticí moment utahováku matic podle šroubovaného spoje. Ověřte hodnoty krouticího momentu pro daný spoj.



Plak vzduchu dodávaný přes FRL je seřízen podle hodnoty tlaku uvedené v kalibračním protokolu při otáčkách naprázdno (stisknutá spoušť a utahovák matic běží volně bez zátěže po dobu několika vteřin), toto nastavení je obvykle 6 – 6,3 barů.

Jednočinný přepínač kroutícího momentu

Seříd'te nastavení kroutícího momentu pomocí seřizovacího klíče. Kroutící moment sílí při utahování šroubu proti směru hodinových ručiček. Po seřízení kroutící moment nastavený pro daný spoj ověřte.

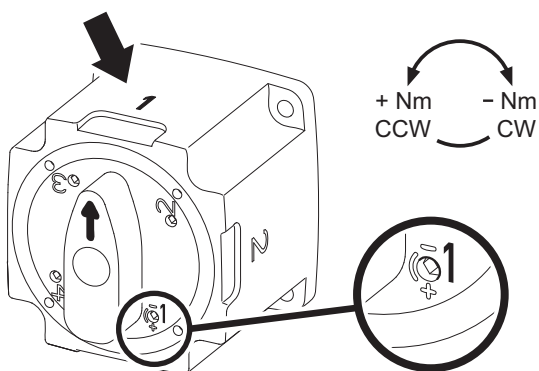


c000850

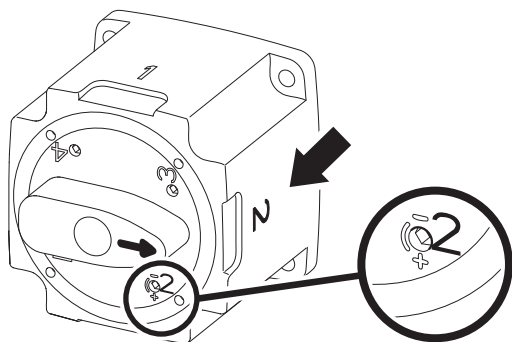
- ⓘ Pokud dojde při vysokých otáčkách k přerušení napájení a dojde k rozptylu, doporučuje se snížit tlak vzduchu.

Přepínač kroutícího momentu se 4 pozicemi

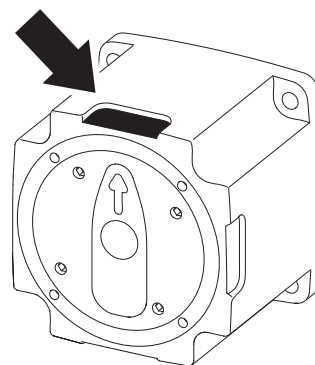
Pro nastavení momentu 1 otočte přepínač na značku odpovídající této pozici. Nastavte seřizovací šroub 1. Pro správný výběr utažení/povolení momentu sledujte označení na přepínači. Pro nastavení momentu 2 otočte přepínač na značku odpovídající pozici 2. Nastavte seřizovací šroub 2.



cs000800



cs001040

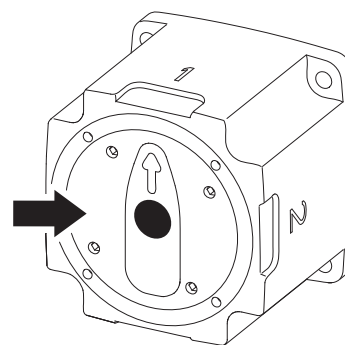


cs001050

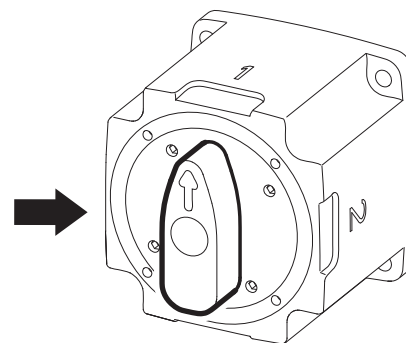
Nastavení vašeho momentu si připomenete umístěním vlastních značek na 4 pozice přepínače.

Instrukce pro uživatele Výběr kroutícího momentu

Stiskněte černé tlačítko. Otočte přepínač na požadovanou pozici. Stiskněte přepínač.

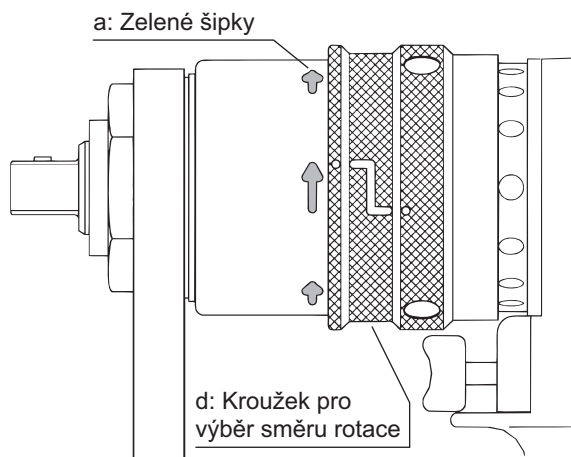


cs000810

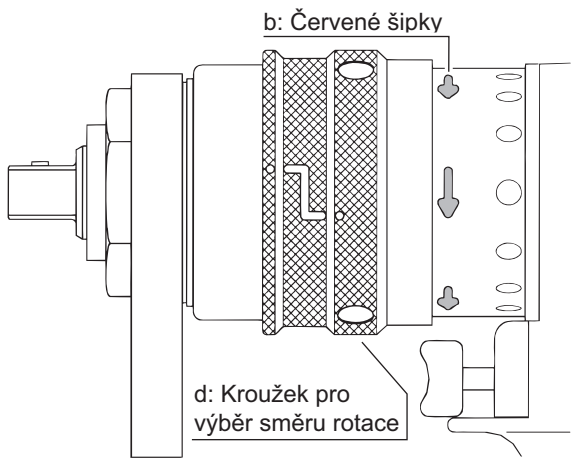


cs001060

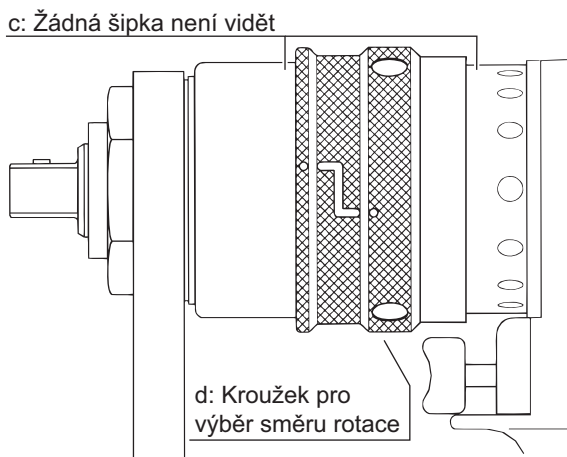
Pozice kroužku pro výběr směru rotace – po směru hodinových ručiček



Pozice kroužku pro výběr směru rotace – proti směru hodinových ručiček



Pozice kroužku pro výběr směru rotace – neutrální pozice převodu



Pokyny pro změnu směru rotace

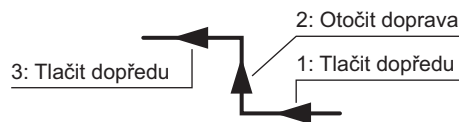
Vzhledem k tomu, že neexistuje automatická funkce pro návrat převodu na předem určenou pozici, vždy před spuštěním nástroje prověřte, že je převod buď na pozici po směru nebo proti směru hodinových ručiček a všechny patřičné šipky jsou jasně viditelné.

VAROVÁNÍ



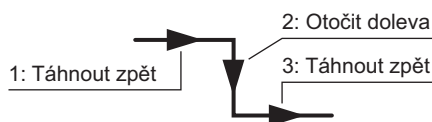
Nikdy neměňte směr rotace, je-li nástroj v chodu. Nikdy nástroj nezapínejte, je-li převod na neutrální pozici.

Kroužek pevně stiskněte rukou a pohybujte s ním dopředu – doprava – dopředu, viz níže uvedený náčrt.



Červené šipky ukazují směr chodu, znamená to, že nástroj se po zapnutí bude otáčet proti směru hodinových ručiček.

Pro návrat na chod po směru hodinových ručiček zatlačte kroužek dozadu – doleva – dozadu, viz níže uvedený náčrt.



Zelené šipky ukazují směr chodu, znamená to, že nástroj se po zapnutí bude otáčet po směru hodinových ručiček. Ani v jednom případě není nutné kroužek v dané pozici ručně přidržovat.

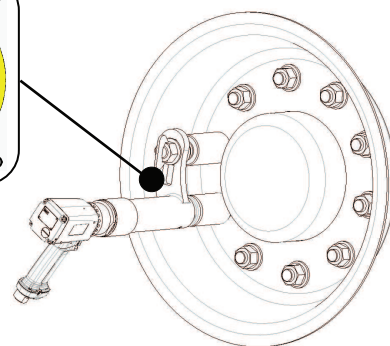
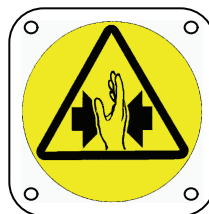
Prodloužené opěrné rameno s pružinovou trubici

Nastavte vzdálenost od středu do středu mezi pouzdrem a trubicí vzhledem k matici, kterou budete utahovat/povolovat.

Ověřte, že je trubice na opěrném rameni dostatečně upevněná.

Před spuštěním nástroje umístěte rameno k zachycení momentu do požadované pozice.

Opěrné rameno se musí otáčet kolem náboje.



Údržba

Pro maximální výkon

Pro dosažení maximálního výkonu a bezproblémového provozu je nezbytně nutné nástroj pravidelně promazávat. Motor má být promazáván olejem, který má být po kapkách vstříkovan buď do stlačeného vzduchu nebo přímo do přívodu vzduchu.

Spoušť, planetová převodovka, jehlová a kuličková ložiska mají být promazávány při pravidelné revizi nástroje.

Kuželové ozubené kolo a spojka mají být promazány mazivem s obsahem sirníku molybdenitého, například Molykote BR2 Plus nebo podobná značka.

Používejte kvalitní maziva. Příklady doporučených olejů a maziv najdete v tabulce.

Ochrana proti korozi a vnitřní čištění

Voda ve stlačeném vzduchu, prach a další částice vzniklé opotřebením způsobují korozi a ucpání lopatek, ventilů atd. Blízko nástroje má být nainstalován vzduchový filtr (viz "Kvalita vzduchu").

Instrukce pro údržbu

Doporučujeme provádět pravidelnou revizi a preventivní údržbu nástroje, a to jednou za rok nebo po 250 000 provedených utaženích, podle toho, která situace nastane dříve. Častější revize je nutná v případě, že nástroj pracuje se silným kroutícím momentem a v dlouhých utahovacích intervalech. Pokud nástroj správně nefunguje, musí být ihned stažen z provozu a zkontrolován.

Filtr na přívodu vzduchu a tlumič se musí často čistit nebo měnit, aby nedošlo k zanesení nástroje, které by mělo za následek snížení jeho výkonu.

Při každé revizi mají být všechny části řádně očištěny a poškozené nebo opotřebené součásti (např. kroužky a lopatky) mají být vyměněny.

Demontáž/ montáž

Je důležité, aby byly závitové spoje nástroje správně utaženy, to znamená podle specifikací na rozkresleném kusovníku.

 Před montáží namažte kroužky a závitové spoje.

Čištění

Všechny části je třeba dokonale čistit lakovým benzínem nebo podobným čistícím prostředkem.

Abyste nedošlo k zanesení a snížení výkonu nástroje, je třeba v období mezi jednotlivými revizními prohlídkami čistit filtr (pokud se používá) a také výfukový filtr.

Kontrola

Po vyčištění všechny části zkontrolujte. Poškozené a opotřebené díly vyměňte.

Mazání

Je třeba promazávat především převody, ventil a spojku, a to mazivem s obsahem sirníku molybdenitého (například Molykote BR2 Plus). Viz rozkreslený kusovník pod Instrukcemi k údržbě.

Výběr maziva pro utahovák matic

Značka	Ložiska (Všeobecné použití)	Volnoběžné kolo (talířový věnec + ozubené kolo)	Volnoběžné kolo
BP	Energrease LS-EP2		Energrease LS-EP2
Castrol	Speherol EP L2		
Esso	Beacon EP2		Beacon EP2
Q8	Rembrandt EP2		Rembrandt EP2
Mobil	Mobilegrease XHP 222		
Shell	Alvania EP2		Alvania EP2
Texaco	Multifak EP2		
Molykote			
Lubricating		Suntemp LE 9102	
STP		Oil treatment	

Značka	Hnací ústrojí	Vzduchu mazání
Bp		Energol E46
Castro		
Esso		AroxEP46
Q8		Chopin 46
Mobil		Almo oil 525
Shell		Torcula 32
Texaco		Aries 32
Molykote	BR2 Plus	

Bezpečnostní předpisy

Upozornění

Před použitím nástroje si pečlivě prostudujte instrukce pro uživatele.

Nástroj a jeho vybavení a příslušenství musí být používány výhradně k úkonům stanoveným výrobcem.

Vždy musí být respektovány všechny místní legislativní bezpečnostní předpisy týkající se instalace, provozu a údržby.

Instalace a opravy mají být prováděny výhradně kvalifikovaným personálem.

Před provedením jakéhokoliv seřizovacího zásahu (např. výměna pouzder) musí být nástroj odpojen od přívodu stlačeného vzduchu.

Před použitím nástroje zkontrolujte směr jeho rotace.

Personál, který pracuje s utahovákem matic s ramenem k zachycení momentu, musí být obzvláště opatrný, aby se neporanil přiskřípnutím. Z bezpečnostních důvodů nikdy nedovolte, aby s nástrojem manipulovala osoba, která nebyla předem proškolená a dobře seznámena s jeho fungováním v různých podmínkách. Viz kapitola "Rameno k zachycení".

Nástroj může být používán pouze s odpovídajícím ramenem k zachycení momentu, které je přizpůsobené danému šroubovanému spoji. Viz také informace v kapitole "Rameno k zachycení".

Nikdy nepřibližujte ruce k rameni ani je na ně nepokládejte, když je nástroj v chodu.

Zkontrolujte, že je pouzdro správně upevněno. V případě potřeby vyměňte blokovací nebo zajišťovací kolík. Vyměňte všechna opotřebovaná pouzdra.

K rotujícímu pouzdro nepřibližujte ruce, dlouhé vlasy nebo jiné předměty.

Pokud používáte závěsný kruh, zkontrolujte, že je v dobrém stavu a správně upevněn.



ZÁRUKA FIRMY CP

- 1) Na výrobek CP platí záruka proti vadnému provedení nebo materiálu na maximální období 12 měsíců od data nákupu od firmy CP nebo jejich zástupců za předpokladu, že jeho použití je omezeno na jednosměrný provoz po toho období. Pokud míra použití překročí míru použití během jednosměrného provozu, záruční období bude poměrným dílem zkráceno.
- 2) Pokud se bude v záruční době výrobek jevit jako vadný z hlediska provedení nebo materiálu, je třeba zaslat výrobek zpět firmě CP nebo jejím zástupcům spolu se stručným popisem údajné vady. Firma CP podle vlastního uvážení zajistí bezplatnou opravu nebo výměnu takové položky, u které se domnívá, že vada je způsobena chybným provedením nebo vadou materiálu.
- 3) Platnost této záruky zaniká u výrobků, se kterými se hrubě nebo nesprávně zacházelo, které byly modifikovány nebo opraveny s použitím jiných než originálních náhradních dílů CP anebo někým jiným než firmou CP anebo jejich autorizovanými servisními středisky.
- 4) Pokud firmě CP vzniknou náklady na základě opravy vady, která vznikla hrubým nebo nesprávným použitím, náhodným poškozením anebo neschválenou modifikací, firma bude požadovat jejich plnou náhradu.
- 5) Firma CP nepřijímá nároky na odškodnění za práci ani za jiné výdaje žádané u vadných výrobků.
- 6) Náhrady jakýchkoli přímých, náhodných nebo následných škod následkem jakékoliv vady se výslovně vylučují.
- 7) Tato záruka nahrazuje všechny ostatní záruky nebo výslovné či odvozené podmínky, týkající se kvality, obchodovatelnosti nebo způsobilosti k určitému účelu.
- 8) Nikomu, ať se jedná o zástupce, úředníka nebo zaměstnance firmy CP, není povoleno žádným způsobem doplňovat či měnit podmínky této omezené záruky.



KEZELÉSI ÚTMUTATÓ

A termék rendeltetése szerint fába, fémbe vagy műanyagba rögzítő menetes kötőelemek be- és kihajtására szolgál. Más célra nem használható. Csak professzionális felhasználásra.

Főbb jellemzők

Nyomatéktartomány:	300-900 Nm
Szabad sebesség:	100 RPM
Üzemi nyomás:	3-7 bar
Légszállítás:	19 l/s (40CFM)
Tömeg:	
CP7600 C	6.8 kg
CP7600 C-R	7.4 kg
CP7600 C-4P	7.1 kg
CP7600 C-R4P	7.7 kg

Zaj- és vibrációs szint

ISO15744 szerinti zajszint	dB(A)
Mért hangnyomásszint	79
Megállapított hangteljesítményszint	
Módszer- és gyártásfüggő szórás	3

ISO 8662-7 szerinti vibrációs szint	m/s ²
Mért vibrációs érték	<2,5
Módszer- és gyártásfüggő szórás	

Zajszintre és a vibrációs szintre vonatkozó nyilatkozat

A megadott értékeket az érvényben lévő szabványoknak megfelelően, vizsgálati laboratóriumban mérték. Az adatok semmiképpen nem használhatók a kockázatok értékelésére. Előfordulhat, hogy a használat közben mért értékek a deklarált értékeket meghaladják. A valóságban fellépő értékek és a vibráció hatására fellépő károsodások a dolgozó munkavégzési módjától, a munkadarabtól és annak formájától valamint a munkavégzés időtartamától és a munkavégző fizikai adottságaitól függően egyéniak. A CP az itt megadott értékeket meghaladó értékekből eredő károsodásokért semmilyen felelősséget nem vállal, mivel a gépek alkalmazása fölött semmilyen ellenőrzést nem tud gyakorolni.

Part no	8940166747
Issue no	1
Series no	1
Date	2010-01
Page	98

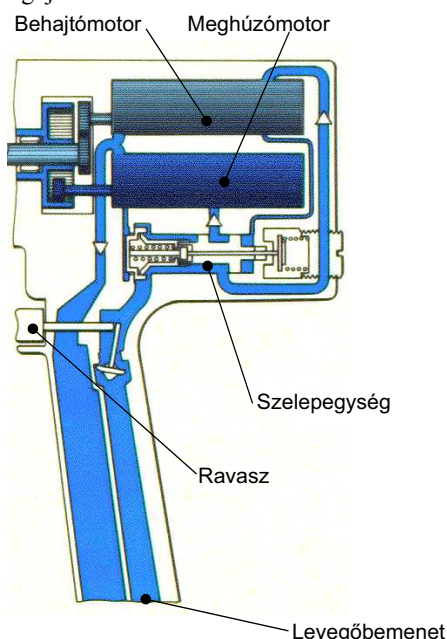


Copyright

© Copyright 2008, CP Minden jog fenntartva. Bárminemű helytelen, illetéktelen, teljes vagy részleges felhasználás tilos. Különösen vonatkozik ez a védett márkákra, modellek elnevezésére, alkatrészs- és rajzszámra. Kizárólag csak az engedélyezett alkatrészek használhatók. Bárminemű olyan kár vagy rossz működés esetén, amely nem engedélyezett alkatrész felhasználásából ered, a termékgarancia nem vehető igénybe és ezekért a gyártó nem felel.

Működési elv

A CP7600-as típus szelepegységének 2 fontos funkciója van: meghajtja a levegővel a két pneumatikus motort, és elzárja a szerszám táplevegőjét.



cs000870

Behajtás

A ravasz meghúzásakor a levegő átáramlik a szelepegységen, és megforgatja a behajtómotort. Ez a motor kis áttételen keresztül, nagy sebességet és kis nyomatékot állít elő.

Motorváltás

Ahogy nő a nyomatékterhelés, úgy nő a CP7600 kimeneti áttétele, a behajtómotor lelassul, ami megemeli a motorban a légnyomást. A megnövekedett nyomás hatására a szelepállás megváltozik.

Meghúzás

Ebben a fázisban a levegő a meghúzómotoron áramlik át. Ez a motor nagy áttételen keresztül, kis sebességet és nagy nyomatékot állít elő.

Leállítás

Ahogy tovább nő a nyomatékterhelés, a meghúzómotor lelassul, ami megemeli a motorban a légnyomást. Ha ez a légnyomás meghaladja egy rugó beállított nyomását, a szelepegységben elmozdul egy dugattyú, és elengedi a levegőt.

A leállítás beállítása

A rugónyomás beállítását a szerszám kalibrálásakor elvégezték. Egy adott légnyomás-érték (általában 6,3 bar/90 psi) egy meghatározott nyomatékot eredményez.

FIGYELMEZTETÉS



A légnyomás-beállítás módosítása hatással van a szerszám leállításának módjára.

Ha a légnyomás nagyobb a kalibrációs légnyomásnál, akkor a leállítás hamarabb bekövetkezik, és a nyomaték a vártnál alacsonyabb lesz.

A kívánt nyomaték elérése érdekében nagyon fontos, hogy a CP7600-ast a kalibrációs tanúsítványon feltüntetett légnyomással működtessék.

Üzembe helyezés

Levegőminőség

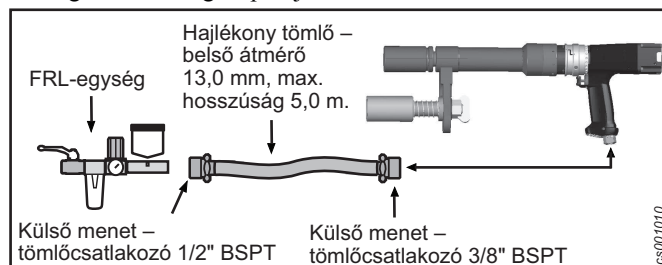
- A lehető legjobb teljesítmény és a készülék hosszú élettartama érdekében ajánlott, hogy a sűrített levegő harmatpontja +2°C és +10°C között legyen. Ajánlott egy hűtési elven működő levegőszárító felszerelése.
- Használjon egy külön levegőszűrőt, mely kiszűri 30 mikronnál nagyobb szilárd részecskéket, és a folyadékok több mint 90 százalékát, és szerelje a lehető legközelebb a készülékhez, de az összes többi levegő-előkészítő egység elé. Csatlakoztatás előtt fűvassa át a tömlőt.
- A sűrített levegőnek kis mennyiségben olajat kell tartalmaznia. Nyomatékosan ajánljuk egy olyan olajködkenő felszerelését, mely normál használat esetén 3–4 csepp (50mm³)/m³ olajat juttat a táplevegőbe hosszú ciklusidejű szerszámok esetén, illetve egy egyponos olajozót rövid ciklusidejű szerszámok esetén.
- Ha a felhasználó úgy dönt, a kenést nem igénylő szerszámok táplevegőjéhez is lehet olajat adagolni. Csak a turbinás szerszámok jelentenek kivételt, melyek nem kaphatnak olajat. (lásd a légvezeték-tartozékokat a részletes katalógusunkban).

A sűrített levegő csatlakoztatása

- A készülék névleges üzemi nyomása (e) 3–7 bar = 300–700 kPa = 87–102 psi.
- Csatlakoztatás előtt fűvassa át a tömlőt.

Ajánlott összeállítás

A készülék elvárt teljesítményének biztosítása érdekében nyomatékosan ajánljuk, hogy az alábbi ábra szerint állítsa össze a levegőhálózat leágazópontja és a szerszám közötti szakaszt.



cs001010

Kezelés

A meghúzónyomaték beállítása

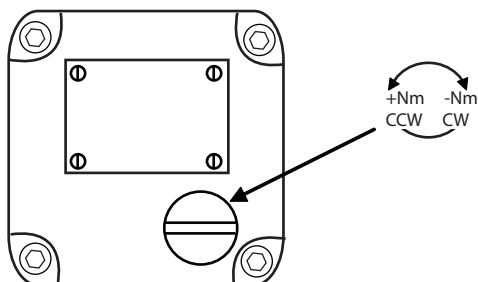
A pontos működés és a biztonság érdekében a csavaranya-behajtó meghúzónyomatékát a csavarkötésnek megfelelően kell beállítani. Ellenőrizze, hogy a kérdéses kötéshez milyen meghúzónyomaték kell.



Az FRL-egység által előállított légnyomást a kalibrációs tanúsítványon feltüntetett, szabad sebességre vonatkozó nyomásra kell beállítani (a ravasz teljesen lenyomva, a csavaranya-behajtó szabadon forog, terhelés nélkül néhány másodpercen át). Ez általában 6,0–6,3 bar.

Fokozatmentes nyomatékszabályzó

A nyomatékot az állítógombbal lehet beállítani. A gombot az óramutató járásával ellentétes irányban forgatva a nyomaték nő. A beállítás után ellenőrizze, hogy a kérdéses kötéshez jó-e a meghúzónyomaték.

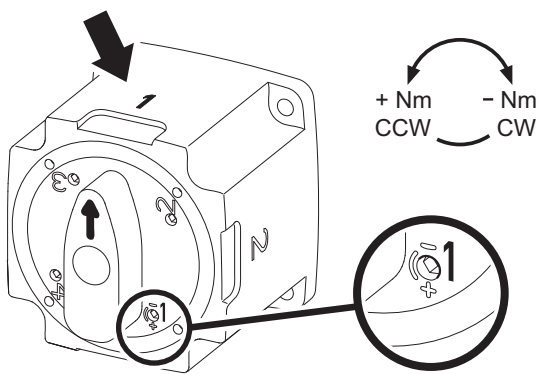


c000850

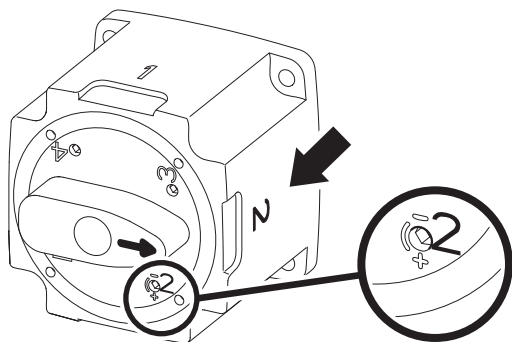
- ⓘ If shut-off is carried out at high speed of revolution, causing a high torque scatter, it is recommended to reduce the air pressure.

4 állású szabályzó

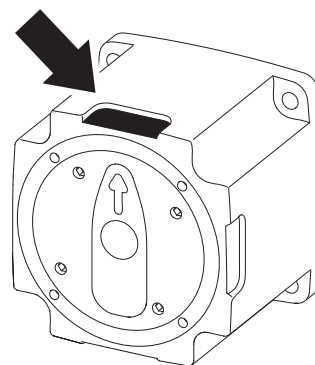
Az 1. nyomaték beállításához fordítsa a forgókapcsolót a készülékházon lévő 1-es jelöléshez. Állítsa be az 1-es állítócsavart. A szabályzón az is fel van tüntetve, hogy milyen irányba forgatva kell a nyomatékot növelni/csökkenteni. A 2. nyomaték beállításához fordítsa a forgókapcsolót a készülékházon lévő 2-es jelöléshez. Állítsa be a 2-es állítócsavart.



cs000800



cs001040

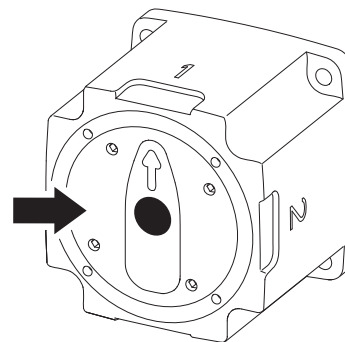


cs001050

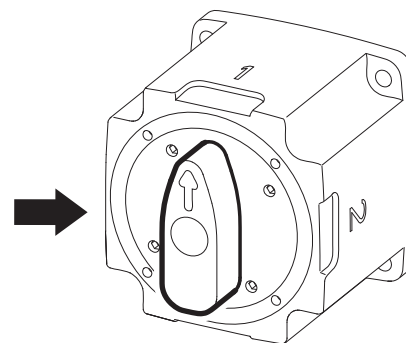
A nyomatékbeállítások feljegyzéseként ragaszthat például matricát a készülékház megfelelő négy helyére.

Használati útmutató A meghúzónyomaték kiválasztása

Nyomja meg a fekete gombot. Fordítsa a forgókapcsolót a kívánt állásba. Nyomja be a helyére a forgókapcsolót.

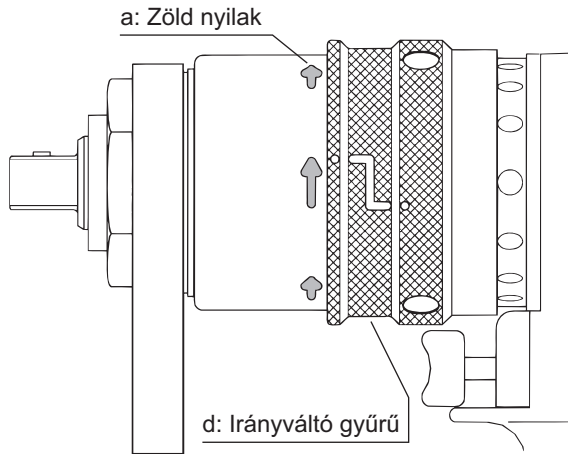


cs000810



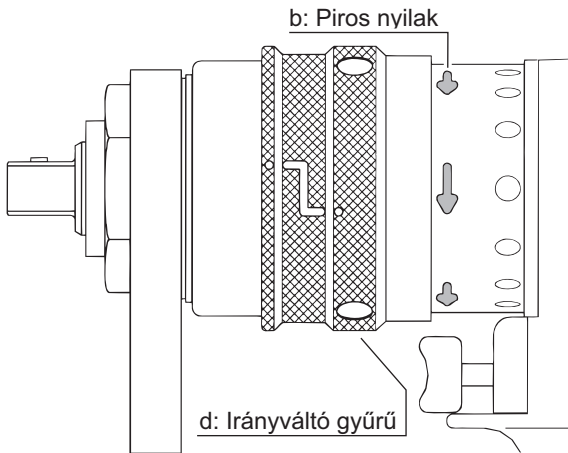
cs001060

Az irányváltó gyűrű helyzete – az óramutató járásával egyező irányú állás



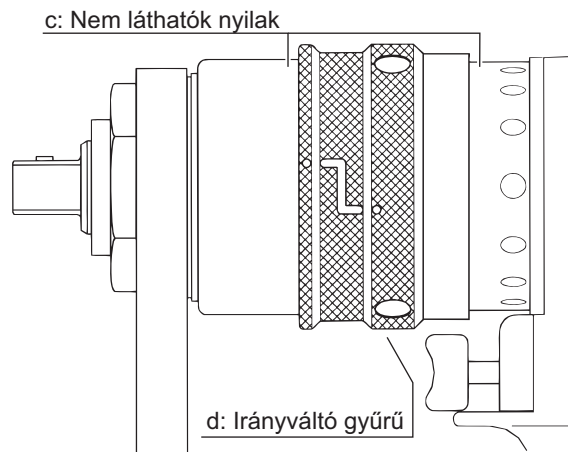
cs000940

Az irányváltó gyűrű helyzete – az óramutató járásával ellenkező irányú állás



cs000950

Az irányváltó gyűrű helyzete – középső állás



cs000960

Az irányváltás módja

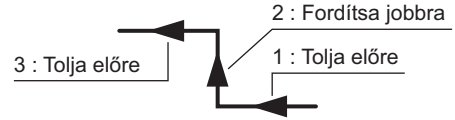
Mivel az irányváltó nem tér vissza automatikusan egy meghatározott helyzetbe, használat előtt mindig ellenőrizze, hogy milyen állású az irányváltó: az óramutató járásával egyező vagy ellenkező irányú, és látszanak-e jól a nyilak.

FIGYELMEZTETÉS



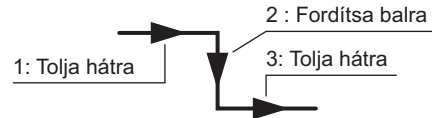
Működő készüléknél tilos irányt váltani!
 Nem szabad elindítani a készüléket úgy, hogy az irányváltó középső állásban van!

Fogja meg az irányváltó gyűrűt, és tolja előre, jobbra, majd megint előre (lásd az alábbi ábrát).



cs000970

A piros nyilak a forgásirányt jelzik, vagyis azt, hogy a készülék induláskor az óramutató járásával ellenkező irányban forog majd. Ha szeretne visszaváltani az óramutató járásával egyező irányú állásba: tolja a gyűrűt hátra, balra, majd megint hátra.



cs000980

A zöld nyilak a forgásirányt jelzik, vagyis azt, hogy a készülék induláskor az óramutató járásával egyező irányban forog majd. Egyik állásban sem kell kézzel megtartani a gyűrűt.

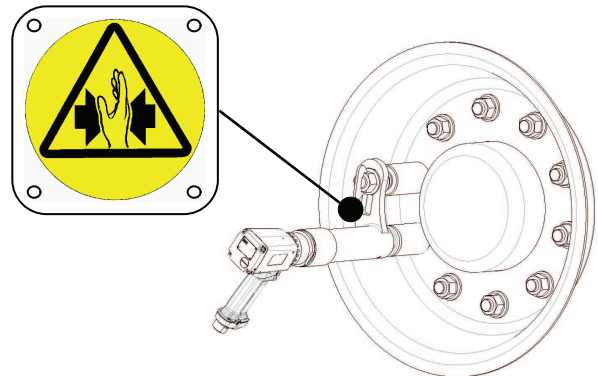
A rugós csővel szerelt hosszabbító-támasztókar felhelyezése

Be kell állítani a foglalat és a rugós cső tengelyvonala közötti távolságot a meghúzendó/meglazítandó anyáknak megfelelően.

Ügyeljen rá, hogy a rugós cső stabilan csatlakozzon a támasztókarhoz.

A támasztókart be kell állítani a kívánt helyzetbe, és csak azután szabad elindítani a készüléket.

A támasztókarnek teljesen körbe kell fordulnia az agy körül.



cs001020

Karbantartás

A lehető legjobb teljesítmény érdekében

A lehető legjobb teljesítmény és a problémamentes használat érdekében fontos a készülék rendszeres kenése. A motornak olajozásra van szüksége, ezért kis mennyiségben olajat kell bejuttatni a sűrített levegőbe keverve vagy közvetlenül a levegőbemeneten keresztül.

A ravaszt, a bolygókerékes hajtóművet, a tégőrgős és golyóscsapágyakat a készülék átvizsgálásakor meg kell zsírozni.

A kúpfogaskerék és a kuplung kenésére molibdén-diszulfid tartalmú zsírt kell használni, például Molykote BR2 Plus típusú vagy vele megegyező teljesítményűt.

Használjon jó minőségű kenőanyagot! Néhány ajánlott kenőanyagot (olajat és zsírt) megtalál a táblázatban felsorolva.

Rozsdavédelem és belső tisztítás

A sűrített levegő víztartalma, a por és a kopás során keletkező részecskék a forgólapátok, szelepek stb. rozsdásodásához és beragadásához vezethetnek. Emiatt egy levegőszűrőt kell a készülékhez közel beszerezni (lásd: „Levegőminőség”).

Szerelési útmutató

Ajánlatos rendszeres időközönként átvizsgálást és megelőző karbantartást végezni: évente egyszer vagy legkésőbb 250 000 meghúzás után (amelyik előbb bekövetkezik). Nagy nyomaték és hosszú meghúzási időtartam esetén gyakoribb átvizsgálás szükséges. Ha a készülék nem jól működik, azonnal szakemberrel kell ellenőriztetni.

A levegőbemenet durvaszűrőjét és a kilépőnyílás zajtompítóját időnként meg kell tisztítani vagy ki kell cserélni, megelőzve az eltömődésüket és az ennek következtében fellépő teljesítménycsökkenést.

Az átvizsgálás során minden alkatrészt (pl. az O-gyűrűket, forgólapátokat) gondosan meg kell tisztítani, és a hibás vagy kopott alkatrészeket ki kell cserélni.

Szétszerelés és összeszerelés

Lényeges, hogy a készülék menetes csatlakozásai jól meg legyenek húzva (a robbantott ábrákon feltüntetett értékekkel).

- ⓘ Az O-gyűrűket és a menetes csatlakozásokat összeszerelés előtt meg kell kenni.

Tisztítás

Az alkatrészeket mosóbenzinnel vagy hasonló tisztítószerezrel alaposan meg kell tisztítani.

Az eltömődés és a teljesítménycsökkenés megelőzése érdekében két átvizsgálás között is szükségessé válhat a durvaszűrő (ha van) és a kilépőnyílás szűrőjének a megtisztítása.

Ellenőrzés

Tisztítás után ellenőrizni kell minden alkatrészt. A hibás vagy kopott alkatrészeket ki kell cserélni.

Kenés

A hajtóművet, a szelepet és a kuplungot molibdén-diszulfid tartalmú zsírral (pl. Molykote BR2 Plus) kell megkenni. Lásd a robbantott ábrákat és a Szerelési útmutató fejezetben található ábrát.

Csavaranya-behajtó kenőanyag-táblázat

Márka	Csapágyak (univerzális)	Szabadonfutó egység (fogaskoszorú és fogaskerekek)	Szabadonfutó
BP	Energrease LS-EP2		Energrease LS-EP2
Castrol	Spheerol EP L2		
Esso	Beacon EP2		Beacon EP2
Q8	Rembrandt EP2		Rembrandt EP2
Mobil	Mobilegrease XHP 222		
Shell	Alvania EP2		Alvania EP2
Texaco	Multifak EP2		
Molycote			
Lubricating		Suntemp LE 9102	
STP		Oil treatment	

Márka	Hajtómű	Air kenés
Bp		Energol E46
Castro		
Esso		AroxEP46
Q8		Chopin 46
Mobil		Almo oil 525
Shell		Torcula 32
Texaco		Aries 32
Molycote	BR2 Plus	

Part no	8940166747	
Issue no	1	
Series no	1	
Date	2010-01	
Page	102	

Biztonsági előírások

Figyelmeztetés

A készülék használata előtt el kell olvasni a használati útmutatót.

A készüléket – bármilyen tartozékával egyetemben – csak a rendeltetési céljára szabad használni.

A vonatkozó helyi biztonsági előírásokat is mindenkor be kell tartani a készülék üzembe helyezése, használata és karbantartása során.

Az üzembe helyezést és a szervizelést bízza szakemberre.

A készülék bármilyen módosítása (pl. foglalatcsere) előtt váltsza le a készüléket a sűrített levegő-vezetékéről.

Elindítás előtt mindig ellenőrizze a forgásirányt.

Támasztókkal szerelt csavaranya-behajtó használatakor különösen ügyelni kell a nagyobb nyomóerő miatti sérülések elkerülésére. Biztonsági okokból csak olyan személy használhatja a készüléket, aki erre be van tanítva, és jól ismeri a készülék működését különböző körülmények között. Lásd a „Támasztókar” című fejezetet.

A készüléket csak a hozzá kapott támasztókkal szabad használni, amelyet mindig pontosan be kell állítani, az adott csavarkötésnek megfelelően. Lásd még a „Támasztókar” című fejezet utasításait.

Ne tegye a kezét a támasztókarra vagy a kar mellé, a készülék használata közben!


Ügyeljen rá, hogy a meghajtó foglalat jól illeszkedjen. Ha kell, cserélje ki a rögzítő csapszeget. Hasonlóképpen a kopott foglalatot is cserélni kell.

A forgó foglalatától tartsa távol a kezét, a haját vagy bármilyen tárgyat.

Függesztőkengyel használata esetén ellenőrizze, hogy az állapota megfelelő-e, és jól van-e rögzítve.

CP GARANCIA

- 1) E CP termékre a CP-től vagy ügynökeitől való megvásárlás napját követő maximum 12 hónapra van garancia hibás szerelés vagy anyaghiba esetére, feltéve, hogy a használata ezen időszak alatt egyműszakos üzemeltetésre korlátozódik. Ha a használat mértéke meghaladja az egyműszakos üzemeltetést, a garanciális időszak arányosan csökken.
- 2) Ha a garanciális időszak alatt a termék meghibásodik hibás szerelés vagy anyaghiba miatt, vissza kell küldeni a CP-nek vagy ügynökeinek, az állítólagos hiba rövid leírásával együtt. A CP, saját belátása szerint, díjmentesen intézkedik az ilyen, hibás szerelés vagy anyaghiba miatt meghibásodott tételek javításáról vagy cseréjéről.
- 3) E garancia érvénytelenné válik az olyan termékek esetében, amelyeket nem előírászerűen, nem rendeltetészerűen használtak vagy módosítottak, vagy amelyeket nem eredeti CP pótalkatrészekkel vagy a CP étől eltérő pótalkatrészekkel vagy nem az általa engedélyezett szervizben javítottak.
- 4) Amennyiben a CP részéről felmerülne bármi költség a nem előírászerű, nem rendeltetészerű használatból, káreseményből vagy illetéktelen módosításból eredő hiba kijavítása miatt, követelni fogja az ilyen költségek maradéktalan megtérítését.
- 5) A CP nem fogad el semmilyen igényt a hibás termékekkel kapcsolatos munkaerő- és más költségek tekintetében.
- 6) Bármiféle hibából eredő bármilyen közvetlen, eseti vagy következményes kár kifejezetten ki van zárva.
- 7) E garancia a minőséget, a forgalomképességet vagy bármilyen adott célra való alkalmasságot tekintve minden egyéb, kifejezett vagy beleértett garanciát vagy feltételt helyettesít.
- 8) Senki, a CP semmilyen ügynöke, megbízottja vagy alkalmazottja sem jogosult semmilyen módon megváltoztatni vagy módosítani e korlátozott garancia feltételeit.

Part no	8940166747	
Issue no	1	
Series no	1	
Date	2010-01	
Page	104	

取扱説明書

この製品は、木材、金属、およびプラスチックにねじで取り付けられる締め具の取り付けと取り外しのために設計・製作されています。プロの方だけがご使用いただけます。

主な特徴

トルク域	300-900 Nm
自由速度	100 r/mn (tr/mn)
作業圧力	3-7 bar
エア消費	19 l/s (40CFM)
Weight:	
CP7600 C	6.8 kg
CP7600 C-R	7.4 kg
CP7600 C-4P	7.1 kg
CP7600 C-R4P	7.7 kg

騒音と振動の排出

ISO15744 による騒音	dB(A)
測定騒音圧力レベル	79
決定騒音出力レベル	
方法と生産にて展開	3

ISO 8662-7 による振動	m/s ²
測定振動値	<2.5
方法と生産にて展開	

騒音と振動の申告

これらの申告された数値は記載されている水準にしたがった実験所(タイプ)のテストにより得られたものであり、同じ水準にしたがってテストされたツールの申告された数値と比較されるのに適しています。これらの申告された数値はリスク評価のために使用されるのは適当でなく、個々の作業場で測定される数値はこれよりも高くなる場合があります。この実際に出される数値と、個人が経験する害のリスクは独自の別のものであり、ユーザーの作業方法、作業場、作業台の設計、またさらされる時間とユーザーの身体的条件によって異なります。わが社 CP としましては、わが社としては管轄できない作業場における個別のリスク評価に関し、実際の使用を反映する数値の代わりに申告された数値を使った場合に起きる事柄・出来事に関しては責任を負いません。

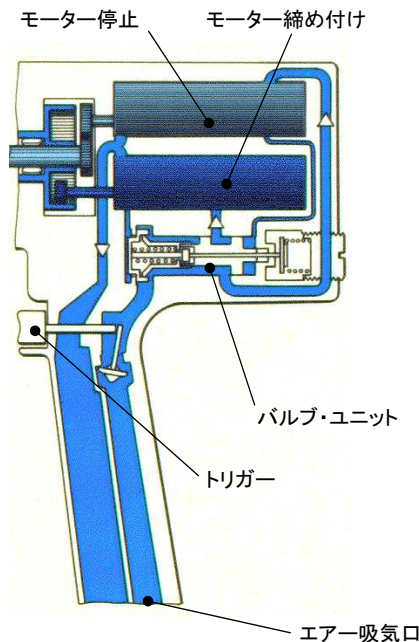
Copyright

© COPYRIGHT 2008, CP 無断複写・転載を禁じます。中身またはその一部を、無許可で使用・複製することは禁じられています。これは特に、商標権、モデル・型名称、部品番号、ドローイングに適用されます。許可を得た部品のみ使用してください。許可を得ていない部品の使用によるいかなる損傷や故障も、保証や製造物責任により保護されません。

基本

CP7600 の内部では、バルブ・ユニットが2つの主な機能を組み合せています。

送2つの圧縮空気式モーターを通じてエアを送り、ツールへのエア供給を遮断します。



停止

トリガーを引くと、バルブ・ユニットからエアが流れ、回転する停止モーターを通じてエアを送ります。このモーターは、高速と低トルクを発生させる低率のギアを作動させます。

モーター・スイッチ

トルク負荷がCP7600にかかる時、出力原動力が増加し、停止モーターが減速し、モーター内部に高エア圧力が発生します。この高圧力下で、バルブは押されて、別の位置に移動します。

締め付け

その後、エアは締め付けモーターによって送られます。このモーターは、高率ギアを動かし、低速と高トルクを発生させます。

遮断

トルクへの負荷が増加を続けると、締め付けモーターが低下し、モーター内に高エア圧力が掛かります。このエア圧力がスプリングにより調整されている圧力を超えるとき、バルブ・ユニット内のピストンが押され、すべてのエア吸気が遮断されます。

遮断の調整

スプリング圧は、ツールがキャリベレーとされる時に調整されません。特定のエア圧力 (通常 6.3 バール/90 psi) にて特定のトルクを導きます。

警告



エア圧力の変化は、遮断の動作に対して影響を与えます。
エア圧力がキャリベレーション・エア圧力よりも高い場合、早めに遮断され、トルクが予想よりも低くなります。
適切なトルクを得るためには、CP7600 をキャリベレーション証書上に書かれているエア圧力で操作することがひじょうに重要です。

取り付け

エアの質

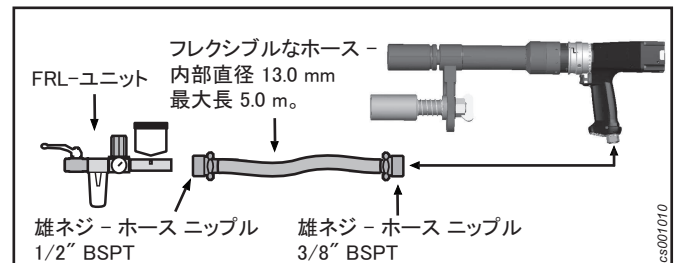
- 最善の作動のために、また機械を長くご使用いただくために、露点が +2° C から +10° C のあいだの圧縮エアを使用することをお勧めします。冷凍型のエア・ドライヤーの取り付けをお勧めします。
- 分離型のエア・フィルターを使い、30ミクロン以上の固体の粒子と、90%の(液体の)水を除去し、その他のいかなるエア準備ユニット(主なカタログ内のエア・ライン付属品を参照してください)取り付け以前に、できるだけ機械の近くに取り付けましょう。ホースをつなぐ前に、ホースに空気を通して膨らませておいてください。
- 圧縮エアには、少量のオイルが含まれていなければなりません。ツールを長期にわたって作動させる場合には、エア消費に対して、油霧潤滑剤を通常3-4滴 (50mm³)/m³ にて設置することを、またツールを短いサイクルにて作動させる場合には、一点のみに潤滑剤を使用することを強く推奨します。潤滑剤不要のツールについてはお客様のオプションによるもので、圧縮エアに潤滑剤からの少量のオイルが含まれていても、なにも支障はありません。例外はタービン・ツールで、これにはオイルは近づけないでください。

圧縮 エア・コネクション

- この機械は、作業圧力 (e) 3-7 バール = 300-700 kPa = 87-102 psi にて使用するように設計・製作されています。
- ホースをつなぐ前にホースに空気を通して膨らませておいてください。

推奨される取り付け

機械の正確なキャパシティを確保するために、同封の、エア・ネットワーク・タッピング地点からツールまでの取り付け提案書にしたがって取り付けることを強く推奨いたします。



取り扱い

締め付けトルク・セットアップ

正確に作動させるため、また安全のため、ナットランナーのトルク締め付けは、スクューの結合部に対して正確にセットされていなければなりません。該当する結合部の締め付けトルクをチェックしてください。

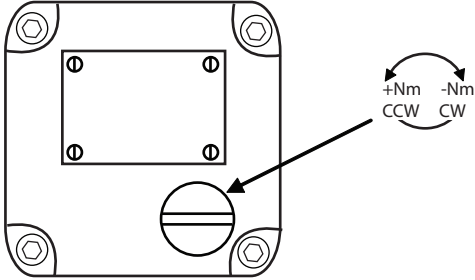
Part no	8940166747
Issue no	1
Series no	1
Date	2010-01
Page	106



FRLユニットにより供給されるエア圧力は、キャリブレーション証書に書かれている圧力にしたがい、自由速度(トリガーが十分にプレスされ、数秒間ナットランナーに負荷がかからず自由に動く状態で)、通常 6.0 - 6.3 バールにて設定されています。

単一トルク・セレクター

トルクの設定を調整 キーにより調整します。トルクは、スクリューを反時計回りに廻すと強められます。調整後、該当する結合部のトルク締め付けチェックしてください。

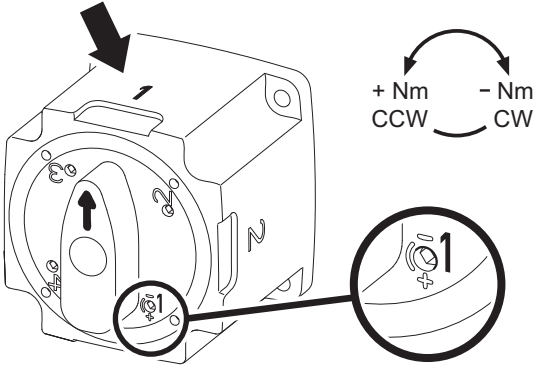


c000850

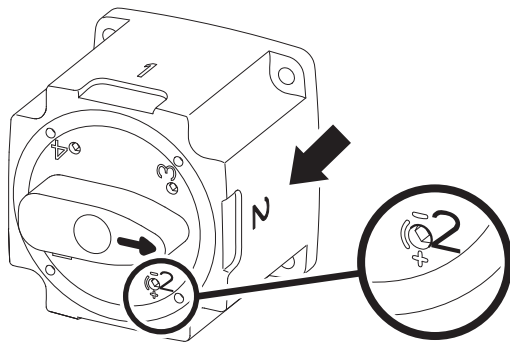
- ① 遮断が高速回転時に実行されると、高トルク散乱が起こりますので、エア圧力を減らすことが推奨されています。

4-位置 セレクター

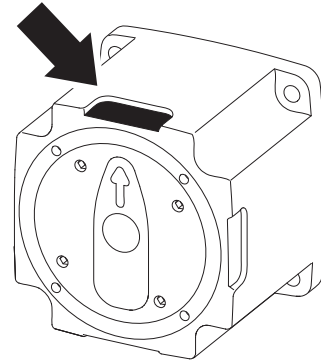
トルク 1をセットするには、ロータリー・スイッチを筐体上の参照マークに合わせます。調整 スクリュー 1を設定してください。トルクを増加/減少させるには、スイッチ上のマークを参照してください。トルク 2を設定するには、ロータリー・スイッチを筐体上の参照 2 のマークに合わせてください。調整 スクリュー 2を設定してください。



cs000800



cs001040

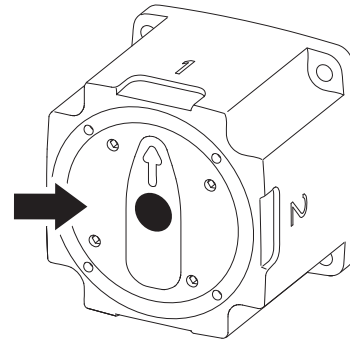


cs001050

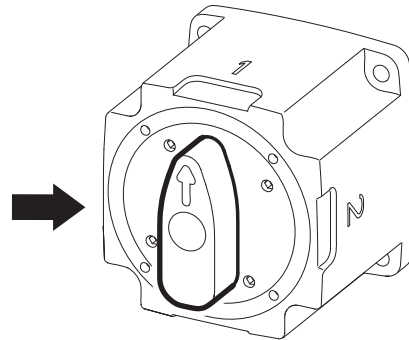
トルク・セッティングは、ご自分でつけた筐体上の4面のマーキングに合わせて行うことにご留意ください。

操作インストラクション 締め付けトルク選択

黒いボタンを押してください。ロータリー・スイッチを希望する位置に廻してください。ロータリー・スイッチを押し戻してください。



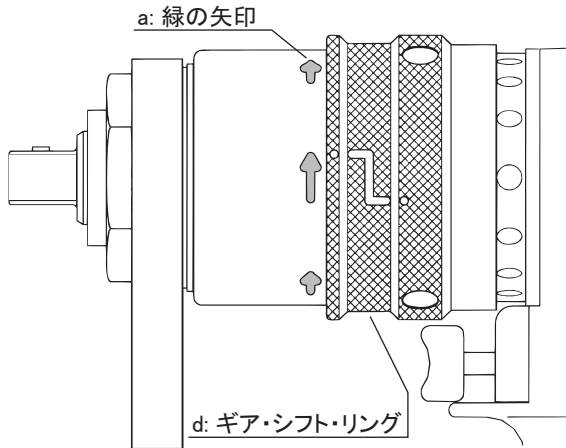
cs000810



cs001060

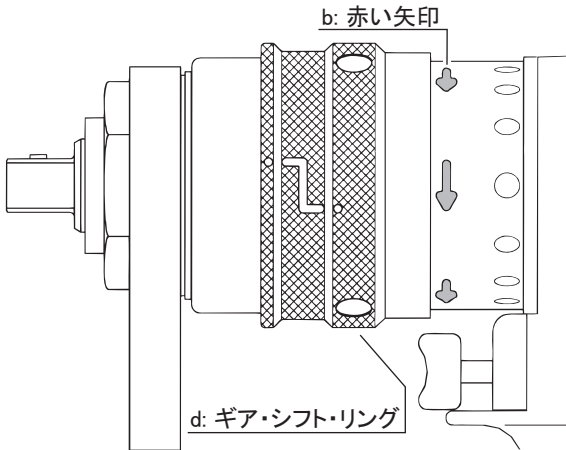


ギア・シフト・リングの位置 - ギア位置と時計回り



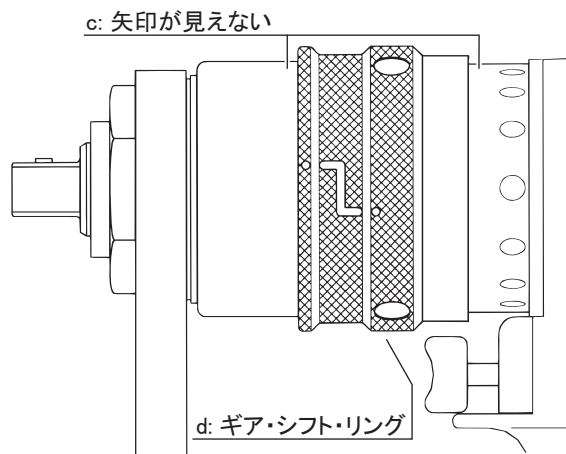
cs000940

ギア・シフト・リングの位置 - ギア位置と反時計回り



cs000950

ギア・シフト・リングの位置 - 中間のギア位置



cs000960

反転用インストラクション

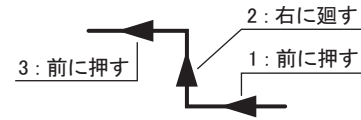
ギア・シフトを固定位置に戻す自動反転はないため、(使用)開始前には常に、ギア・シフトが時計回りの位置にあるか、反時計回りの位置にあるかを、すべての矢印がはっきり見えている状態でチェックしてください。

警告



機械作動中には、絶対にギアをシフトしないでください。ギア・シフトが真ん中の位置にある場合には、絶対に機械をスタートさせないでください。

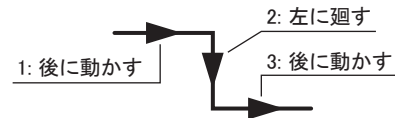
ギア・シフト・リングを手で握り、前-右-前に動かします。下記の図を参照してください。



cs000970

赤い矢印は、走行方向を示します。たとえば、スタート時には機械は反時計回りに走行します。

時計回りの位置に戻すときには、リングを後-左-後に動かします。下記の図を参照してください。



cs000980

緑の矢印は、走行方向を示します。たとえば、スタート時には機械は時計回りに走行します。リングを両方の位置に手で押さえている必要はありません。

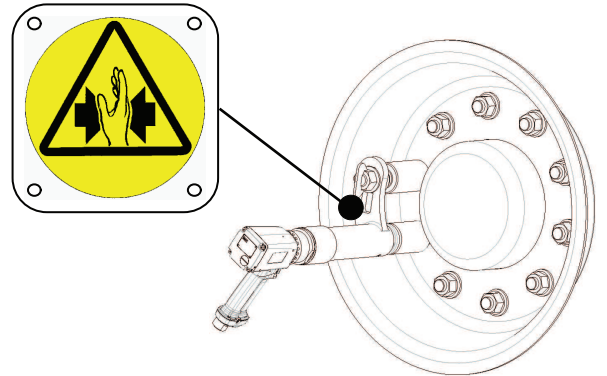
スプリング負荷付きのチューブ位置決めと延長反応アーム

ナットを締め付けるかゆるめるかにしたがって、ソケットとスプリング負荷のかかったチューブの、中央から中央までの距離を調節してください。

スプリング負荷のかかったチューブが反応アームにしっかりと固定されていることを確認してください。

機械をスタートさせる前に、反応バーを望ましい位置にあててください。

反応アームは、ハブの周りを完全に廻らなければなりません。



cs001020

メンテナンス

最大のパフォーマンスのために

最大のパフォーマンスを得るために、また、トラブルを避けるために、定期的に潤滑剤を施すことが重要です。モーターは、オイルで潤滑されるべきで、これはオイルの油滴を圧縮エア内に向けて、あるいはエア吸気口に直接、落とすことができます。

Part no	8940166747
Issue no	1
Series no	1
Date	2010-01
Page	108



トリガー、軌道ギア、ニードル・ベアリングおよびボール ベアリングは、機械の定期的オーバーホール中にグリースで潤滑するようにします。

角度ギアとクラッチは、モリブデン・ジスルフィドを含むグリースを付けたハットを使用して潤滑されること。たとえばモリコート BR2 プラス、または同等のブランド品など。

上質の潤滑剤をご使用ください。表に記載されているオイルとブリースは、推奨される潤滑剤の例です。

さび止めと内部のクリーニング

圧縮エア内では、埃と磨耗粒子により、羽とバルブセットにさびと粘りが生じます。機械にもっとも近い地点にエア・フィルタールを取り付けられていなければなりません（“エアの質”の項を参照してください）。

修理インストラクション

1年にいちど、または最大250.000 回の締め付けごとのうち、最初に起こる時点で、定期的なオーバーホールと故障防止のためのメンテナンスをすることをお勧めします。高トルクと長い締め付け回数にて使用される場合、よりひんぱんなオーバーホールが必要となります。機械が正常に作動しない場合、直ちに使用を中止し、チェックしてもらってください。

エア吸気口のろ過器と排気防音機は、キャパシティ低下を引き起こす詰まり防止のために、ひんぱんにクリーニングされるか、交換されなければなりません。

オーバーホール時に、全部品を適切にクリーニングし、不良部品や磨耗部品（O-リングや羽など）は、交換されなければなりません。

解体/ 組み立て

機械のねじによるコネクションが、きちんと締め付けられていることが重要です。つまり、図のスペックにあるとおりに締め付けられていなければなりません。

① 組み立て前にO-リングに潤滑剤を施し、締め付けられたコネクションにグリースを注してください。

クリーニング

全部品を白色アルコール、または同等のクリーニング剤で徹底的にクリーニングしてください。

詰まりと出力低下を防ぐため、前回のオーバーホール以降に使用された場合には、ろ過器と排気フィルターをクリーニングする必要がありますかもしれません。

検査

クリーニング後、全部品を検査してください。破損または磨耗した部品は交換してください。

潤滑

モリブデン・ジスルフィドを含むグリース(モリコートBR2 プラスなど)で、特にギアとバルブ、クラッチに念入りに潤滑剤を施してください。修理インストラクションの項の図を参照してください。

グリース・ガイドとナットランナー

ブランド	ベアリング部 (汎用)	フリー・ホイール・ ユニット(ギア・リム とギア・ホイール)	フリー・ホイール
BP	Energrease LS-EP2		Energrease LS-EP2
Castrol	Spheerol EP L2		
Esso	Beacon EP2		Beacon EP2
Q8	Rembrandt EP2		Rembrandt EP2
Mobil	Mobilegrease XHP 222		
Shell	Alvania EP2		Alvania EP2
Texaco	Multifak EP2		
Molycote			
Lubricating		Suntemp LE 9102	
STP		Oil treatment	

ブランド	ギア	空気潤滑
Bp		Energol E46
Castro		
Esso		AroxEP46
Q8		Chopin 46
Mobil		Almo oil 525
Shell		Torcula 32
Texaco		Aries 32
Molycote	BR2 Plus	



安全のためのインストラクション

警告

機械を使用する前に、操作インストラクションに習熟しておいてください。

機械とアタッチメント、付属品は、その目的にかなって設計・製造されている目的以外には絶対に使用しないでください。

取り付け、作動およびメンテナンスに関する地元で実施されているすべての安全ルールは、常に遵守されなくてはなりません。

取り付けと修理は、有資格者のみが行ってください。

調整（ソケットの交換など）を行う前には、機械を圧縮エア・ラインから外してください。

機械を使用する前には回転の方向を確認してください。

トルク反応バーを伴うナットランナーのオペレータは、握り締めることによる負傷に特に注意してください。安全のため、訓練を受け、異なる状況での操作に完全に慣れている人以外、絶対に誰にも機械を使用させないでください。“反応バー”のセクションを参照してください。


機械は、専用のトルク反応バーとのみ併用することができます。それは、該当するスクリュー結合部アプリケーションにて適応されます。“反応バー”のセクションにあるインストラクションを併せてご参照ください。

機械使用中には、絶対に反応バー上に手をおいたり近くに手を持ってきたりしないでください。

出力ソケットが適切に締め付けられていることを確認してください。必要に応じて、拘束ピンまたはロックピンを交換してください。磨耗したソケットも交換してください。

手や長い髪、またはオブジェクト(=物)は回転するソケットから離しておいてください。

停止用くびきを使用する際には、状態がよく、適切に締め付けられていることを確認してください。

Part no	8940166747	
Issue no	1	
Series no	1	
Date	2010-01	
Page	110	

CP の保証

- 1) このCP 製品は、その期間中に単一シフトで使用された場合に限り、CPまたはその代・店からの購入より最長12ヶ月間、製造上の・・や材質の・・に対して保証されています。もしも使用が単一シフトを超えるものであった場合、保証期間は比・計算により減じられます。
- 2) 保証期間中に製品に製造上の・・や材質の・・が・つかった場合、製品は疑われる・具合についての短い説明書きをつけてCPまたは代・店に返品されるものとします。CPは、独自の判断により、その製造上の・・や材質の・・に・具合を疑われる製品を、修・するか返品するか決めます。
- 3) この保証は、濫用、誤用、修正されて使用された場合、またはCPの純正スペア部品以外を使って修・された場合、あるいはCPの承認を受けたサービス・エージェント以外の者により修・を受けた製品に対しては無効となります。
- 4) 濫用、誤用、修正されて使用されたことによる、または事故的なダメージ、あるいは承認を受けていない修・の結果として起こった故障・具合を修正するための費用がCPに発生した場合、費用は全額(購買者によって)支払われなくてはなりません。
- 5) CPは、・具合品により発生したいかなる人件費その他の費用についてもクレームを受け付けません。
- 6) ・・・・具合により起こったいかなる直接の、事故的な、または必然的結果として起こったダメージその他も、(保証の範囲から)除外されることを明記します。
- 7) この保証は、その他の品質、商品性、または適合性などの、明示・暗示を問わない、その他すべての保証、または条件の代わりに与えられるものです。
- 8) CPエージェントであれ、使用人であれ、雇用者であれ、なにもものも制限付保証をいかなる点においても、付け加えたり修正したりする許可を持ちません。

ĮRENGINIO EKSPLOATAVIMO VADOVAS

Šis gaminys skirtas įsriegiamoms tvirtinimo detalėms įsriegti ir pašalinti iš medžio, metalo ir plastiko. Draudžiama naudoti kitiems tikslams. Skirtas tik profesionaliam naudojimui.

Pagrindinės techninės savybės

Sukimo momento diapazonas	300-900 Nm
Greitis laisva eiga	100 aps./min (naps. / min)
Darbo slėgis	3-7 bar
Oro sunaudojimas	19 l/s (40CFM)
Svoris:	
CP7600 C	6.8 kg
CP7600 C-R	7.4 kg
CP7600 C-4P	7.1 kg
CP7600 C-R4P	7.7 kg

Triukšmo ir vibracijos sklaidimas

Triukšmo stiprumas pagal PN8NTC	dB(A)
Išmatuotas garso slėgio lygis	79
Nustatytas garso galios lygis	
Sklidimas ir susidarymas	3

Vibracija pagal ISO 8662-7	m/s ²
Išmatuota vibracijos vertė	<2.5
Sklidimas ir susidarymas	

Paskelbtoji triukšmo ir vibracijos emisija

Paskelbtosios vertės gautos atliekant laboratorinius bandymus pagal nustatytus standartus; jos nenaudotinos vertinant riziką. Atskirose darbo vietose imtuotos vertės gali būti didesnės už paskelbtąsias vertes. Individualaus naudotojo patiriamo poveikio tikrosios vertės ir žalos rizika yra savitos, jas lemia naudotojo darbo būdas, detalė, su kuria dirbama ir darbo vietos konstrukcija, taipogi poveikio trukmė ir naudotojo fizinė būklė. Mes, kompanija CP, negalime atsakyti už paskelbtųjų verčių naudojamą vietoje verčių, atspindinčių tikrąjį poveikį, atliekant individualų rizikos vertinimą darbo vietoje, kurio mes negalime kontroliuoti.

Part no	8940166747
Issue no	1
Series no	1
Date	2010-01
Page	112

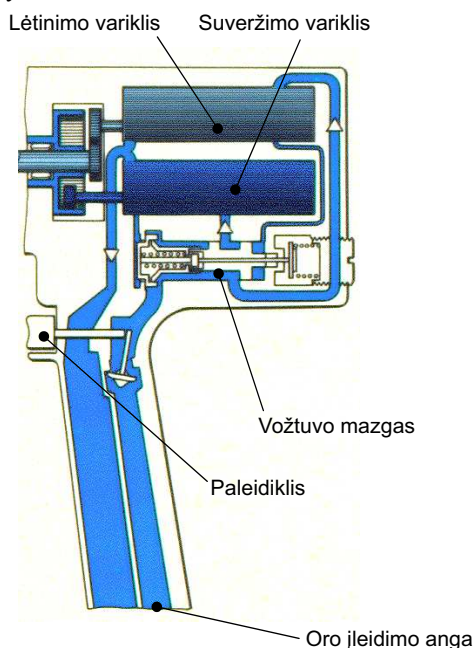


Copyright

© Copyright 2008, CP Visos teisės saugomos. Ši tekstą arba jo dalį naudoti arba kopijuoti negavus leidimo draudžiama. Tai taikoma prekybenkiams, modelio pavadinimui, dalių numeriams ir brėžiniams. Naudokite tik tas dalis, kurios yra patvirtintos. Jeigu žala arba gedimas atsiranda naudojant nepatvirtintas dalis, garantija arba atsakomybė dėl gaminio netaikoma.

Principas

CP7600 viduje vožtuvo mazge derinamos 2 pagrindinės funkcijos: oro nukreipimas per du pneumatinius variklius ir oro tiekimo įrankyje uždarymas.



cs000870

Lėtinimas

Paspaudus paleidiklį, oras teka per vožtuvo mazgą, nukreipiantį orą į besisukantį lėtinimo variklį. Variklis varo mažo perdavimo skaičiaus pavarą, sukuriantį didelį greitį ir žemą sukimo momentą.

Variklio perjungimas

Kadangi CP7600 antrinei pavarai tenkanti sukimo momento apkrova padidėja, lėtėjimo variklis sulėtėja ir oro slėgis jame pakyla. Susidarius aukštesniam slėgiui, vožtuvas perjungiamas į kitą padėtį.

Suveržimas

Tada oras nukreipiamas į suveržimo variklį. Variklis varo didelio perdavimo skaičiaus pavarą, sukuriantį mažą greitį ir aukštą sukimo momentą.

Uždarymas

Kadangi sukimo momentas didėja toliau, suveržimo variklis sulėtėja, dėl ko jame pakyla oro slėgis. Kai šis oro slėgis pasiekia nustatytą spyruoklės slėgį, paspaudžiamas vožtuve esantis stūmoklis, uždarančias visą oro įleidimą.

Uždarymo reguliavimas

Spyruoklės slėgis reguliuojamas kalibruojant įrankį. Tam tikras oro slėgis (įprastai 6,3 bar/90 psi) lemia tam tikrą sukimo momentą.

ĮSPĖJIMAS



Oro slėgio pakeitimas turi įtakos uždarymo pobūdžiui. Jei oro slėgis yra aukštesnis už kalibruotą oro slėgį, uždarymas įvyksta anksčiau ir sukimo momentas yra žemesnis nei tikimasi. Norint gauti tinkamą sukimo momentą, labai svarbu, kad įrankis CP7600 veiktų esant kalibravimo pažymėjime nurodytam oro slėgiui.

Montavimas

Oro kokybė

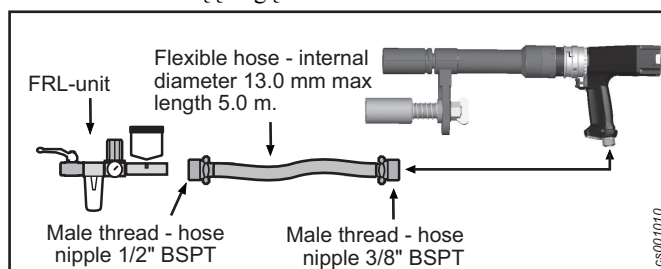
- Kad įrankis veiktų optimaliai ir būtų naudojamas kuo ilgiau, rekomenduojame naudoti suspaustą orą, kurio rasos taškas yra +(2-10) °C. Rekomenduojama įtaisyti aušinantį oro džiovintuvą.
- Naudokite atskirą oro filtrą, pašalinantį didesnes nei 30 mikronų kietas daleles ir daugiau nei 90 proc. skysčių ir vandens, įtaisyta kaip galima arčiau prie įrankio ir anksčiau nei kiti oro parengimo įrenginiai (žiūrėkite mūsų pagrindinio katalogo skyrių „Air Line Accessories“ Prieš prijungdami, žarną prapūskite.
- Suspaustame ore turi būti šiek tiek tepalo. Primygtinai rekomenduojame, kad įtaisytumėte tepalo rūką skleidžiančią tepalinę, įprastai nustatytą 3-4 lašai (50mm³)/m³ oro sunaudojimui įrankiams su ilgu darbo ciklu, arba taškinę tepimo sistemą trumpo darbo ciklo įrankiams.
- Kalbant apie kliento pasirinkamus įrankius be tepimo funkcijos, tai nėra trūkumas, jei suspaustame ore yra nedidelis kiekis tepalo, koks yra tiekiamas iš tepalinės. Išimtis yra turbininiai įrankiai, kuriuose neturi būti tepalo. (Oro padavimo linijų reikmenys).

Suspausto oro prijungimas

- Įrankis skirtas dirbti, kai darbo slėgis (e) yra 3–7 bar = 300–700 kPa = 87–102 psi.
- Prieš prijungdami, žarną prapūskite.

Rekomendacija montavimui

Siekiant užtikrinti tinkamą įrankio našumą, primygtinai rekomenduojame nuo oro paruošimo mazgo čiaupo iki įrankio sumontuoti siūlomą įrangą.



cs001010

Handling

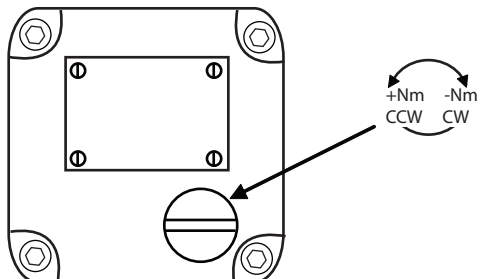
Veržimo sukimo momento nustatymas

Tikslaus veikimo ir saugumo sumetimais, veržlėsukio sukimo momentas turi būti nustatytas tiksliai, atsižvelgiant į varžto jungtį. Patikrinkite susijusiai jungčiai duotą veržimo sukimo momentą. FRL (oro paruošimo) mazgo tiekiamas oro slėgis yra nustatomas pagal kalibravimo pažymėjime nurodytą slėgį laisvąja eiga (paleidiklis paspaustas iki galo, o veržlėsukis kelias sekundes veikia be apkrovos), įprastai 6,0-6,3 bar.

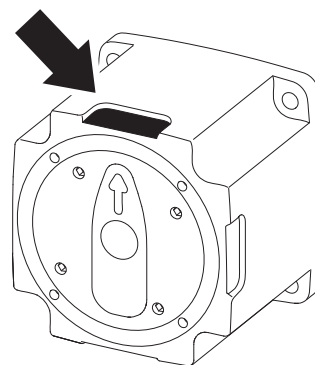


Bendras sukimo momento rinkiklis

Sukimo momentas nustatomas reguliavimo raktu. Sukimo momentas padidinamas, kai varžtas sukamas prieš laikrodžio rodyklę. Pareguliuavę, patikrinkite susijusiai jungčiai duotą veržimo sukimo momentą.



c000850

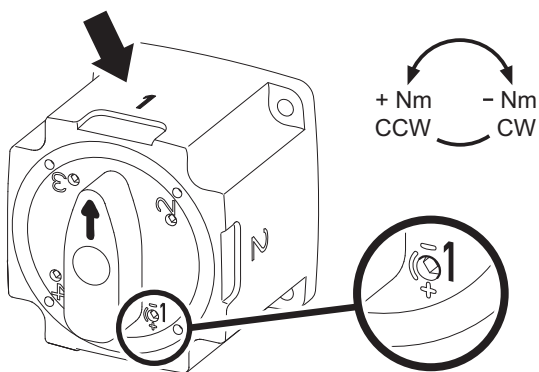


cs001050

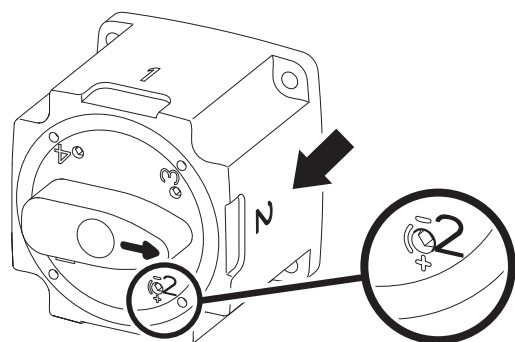
- ⓘ Jei vožtuvas uždaromas esant dideliame apsisukimų greičiui, sukeliančiam didelę sukimo momento sklaidą, rekomenduojama sumažinti oro slėgį.

4 padėčių rinkiklis

Norėdami nustatyti sukimo momentą 1, rankenėlę pasukite į ant korpuso esantį nuorodos ženklą. Nustatykite reguliavimo varžtą 1. Žiūrėkite ženklą ant rankenėlės, rodantį, kaip padidinti / sumažinti sukimo momentą. Norėdami nustatyti sukimo momentą 2, rankenėlę pasukite į ant korpuso esantį nuorodos ženklą 2. Nustatykite reguliavimo varžtą 2.



cs000800

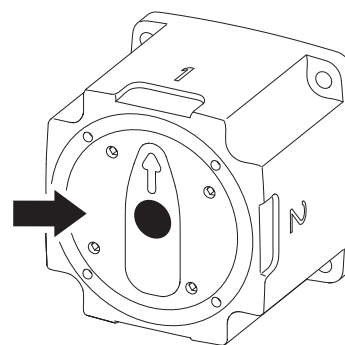


cs001040

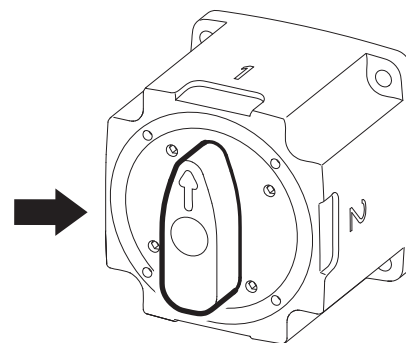
Sukimo momento nuostatas atsiminsite, keturiose vietose ant korpuso užsirašydami nuorodas.

Ekspluatacijos instrukcijos Veržimo sukimo momento parinkimas

Paspauskite juodą mygtuką. Rankenėlę pasukite į norimą padėtį. Rankenėlę išspauskite.

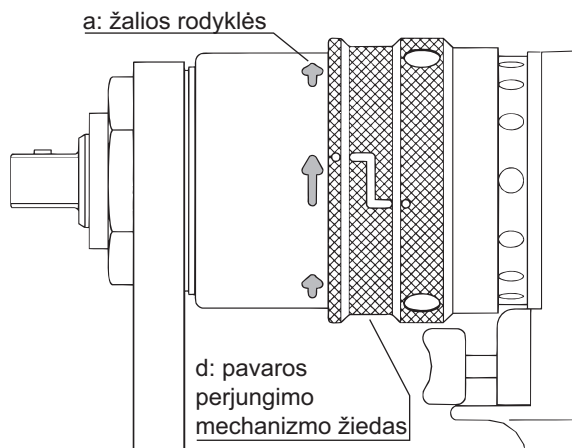


cs000810



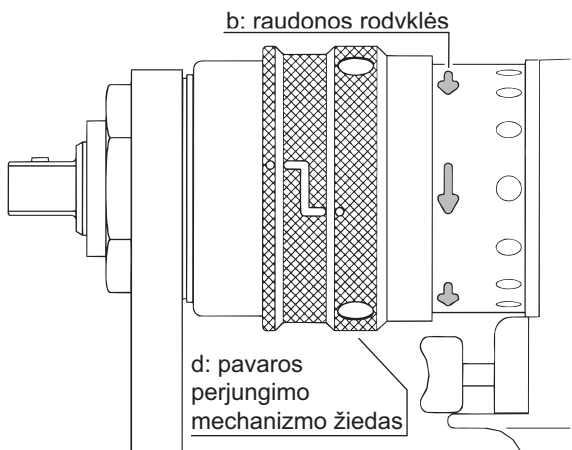
cs001060

Pavaros perjungimo mechanizmo žiedo padėtis – pavana nustatyta pagal laikrodžio rodyklę



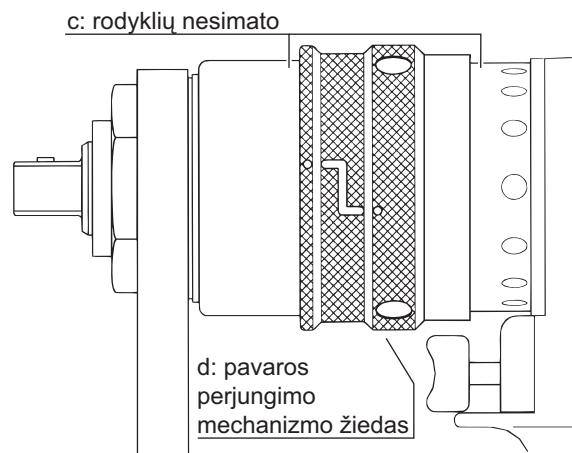
cs000940

Pavaros perjungimo mechanizmo žiedo padėtis – pavana nustatyta prieš laikrodžio rodyklę



cs000950

Pavaros perjungimo mechanizmo žiedo padėtis – vidurinė pavaros padėtis



cs000960

Krypties keitimo instrukcijos

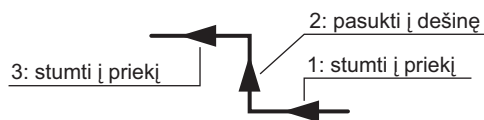
Kadangi pavaros perjungimo mechanizmas automatiškai negrįžta į fiksuotą padėtį, prieš užvesdami įrankį, visada patikrinkite, ar pavaros perjungimo mechanizmas yra nustatytas prieš arba pagal laikrodžio rodyklę, o visos rodyklės gerai matomos.

ĮSPĖJIMAS



Niekada neperjunkite pavaros, kai įrankis veikia. Niekada neįjunkite įrankio, kai pavaros perjungimo mechanizmas yra vidurinėje padėtyje.

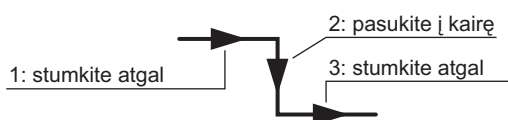
Pavaros perjungimo mechanizmo žiedą suimkite ir stumkite į priekį, į dešinę ir vėl į priekį, kaip parodyta apačioje.



cs000970

Raudonos rodyklės rodo sukimosi kryptį, t. y. įjungtas įrankis sukis prieš laikrodžio rodyklę.

Norėdami pakeisti į padėtį pagal laikrodžio rodyklę, žiedą pastumkite atgal, į kairę ir vėl atgal, kaip parodyta pavyzdyje apačioje.



cs000980

Žalios rodyklės rodo sukimosi kryptį, t. y. įjungtas įrankis sukis pagal laikrodžio rodyklę. Abiejose padėtyse žiedo nereikia laikyti ranka.

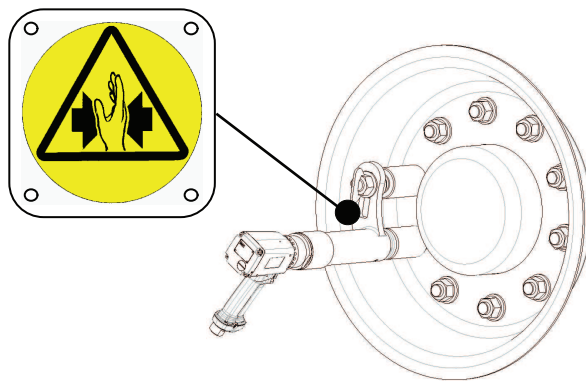
Ištiestos atoveikio svirties su spyruokliniu vamzdeliu padėties nustatymas

Lizdo centrą nustatykite ties spyruoklinio vamzdelio viduriu, kad varžtus būtų galima priveržti / atsukti.

Patikrinkite, kad spyruoklinis vamzdelis būtų tvirtai įtaisytas palei atoveikio svirtį.

Prieš įjungdami įrankį, atoveikio skląstį nustatykite į norimą padėtį.

Atoveikio svirtis turi visiškai apsisukti aplink įvorę.



cs001020

Priežiūra

Didžiausias našumas

Svarbu nuolat sutepti įrankį, norint pasiekti didžiausio našumo ir darbo be trikdžių. Variklį reikia sutepti alyva, t. y. jos galima įlašinti arba į suspaustą orą, arba tiesiai į oro įleidimo angą.

Paleidiklis, planetarinės pavaros, adatiniai ir rutuliniai guoliai turi būti suteptami tepalu reguliarios įrankio apžiūros metu.

Kampinė pavara ir sankaba turi būti suteptos tepalu, kurio sudėtyje yra molibdeno disulfido: pavyzdžiui, Molykote BR2 Plus arba lygiavertės rūšies.

Naudokite geros kokybės tepalus. Lentelėje nurodyti alyva ir tepalai yra rekomenduojamų tepalų pavyzdžiai.

Apsauga nuo rūdijimo ir vidaus valymas

Suspaustame ore esantis vanduo, dulksės ir nusidėvėjimo dalelės kelia menčių, vožtuvų ir kitų dalių rūdijimą. Oro filtras turi būti įtaisytas prie įrankio (žr. „Oro kokybė“).

Techninės priežiūros instrukcijos


Nuodugnią ir profilaktinę techninę priežiūrą rekomenduojama atlikti reguliariais laikotarpiais kartą per metus arba atlikus 250.000 suveržimų, priklausomai, kuris atvejis yra pirmesnis. Nuodugnią apžiūrą gali reikėti atlikti anksčiau, jei naudojamas didelis sukimo momentas ir ilgas veržimo laikotarpis. Jei įrankis veikia netinkamai, jį nedelsiant reikia nunešti patikrinti.

Oro įleidimo angoje esantis koštuvas ir duslintuvas turi būti dažnai valomi arba keičiami, siekiant išvengti filtro užsiteršimo, dėl kurio sumažėja našumas.

Nuodugnaus patikrinimo metu visos dalys turi būti gerai išvalomos, o sugedę ar nusidėvėję dalys (pvz., sandarinimo žiedai, mentės) turi būti pakeistos.

Išardymas / surinkimas

Labai svarbu, kad įrankiu įsriegtos jungtys būtų gerai suveržiamos, t. y. laikantis trimačio detalių vaizdo specifikacijų.

 Prieš surinkdami, alyva sutepkite sandarinimo žiedus ir suveržiamas jungtis.

Valymas

Visas dalis kruopščiai valykite vaitspiritu ar panašia valomąja priemone.

Siekiant išvengti užsikimšimo ir galingumo sumažėjimo, tarp apžiūrų gali reikėti išvalyti koštuvą (jei naudojamas) ir išmetimo vamzdžio filtrą.

Patikra

Išvalę, visas dalis patikrinkite. Sugedę ir nusidėvėję dalys turi būti pakeičiamos.


Tepimas

Sutepkite, ypač pavaras, vožtuvą ir sankabą, tepalu, kurio sudėtyje yra molibdeno disulfido (pvz., Molykote BR2 Plus). „Techninio aptarnavimo instrukcijos“ rasite detalių trimatį vaizdą ir pavyzdį.

Rekomenduojami tepalai veržlėsukiams

Rūšis	Guoliai (universalūs)	Laisvosios eigos mazgas (dantytasis žiedas ir krumpliaraciai)	Laisvosios eigos mova
BP	Energrease LS-EP2		Energrease LS-EP2
Castrol	Spheerol EP L2		
Esso	Beacon EP2		Beacon EP2
Q8	Rembrandt EP2		Rembrandt EP2
Mobil	Mobilegrease XHP 222		
Shell	Alvania EP2		Alvania EP2
Texaco	Multifak EP2		
Molycote			
Lubricating		Suntemp LE 9102	
STP		Oil treatment	

Rūšis	Krumpliaraciai	Oro tepimo
Bp		Energol E46
Castro		
Esso		AroxEP46
Q8		Chopin 46
Mobil		Almo oil 525
Shell		Torcula 32
Texaco		Aries 32
Molycote	BR2 Plus	

Part no	8940166747	
Issue no	1	
Series no	1	
Date	2010-01	
Page	116	

Saugos instrukcijos

Ispėjimas

Prieš naudodami šį įrankį, susipažinkite su eksploataavimo instrukcijomis.

rankį ir visus jo papildomus įtaisus bei priedus draudžiama naudoti ne pagal paskirtį.

Visada reikia laikytis vietos teisės aktais nustatytų montavimo, eksploataavimo ir techninės priežiūros saugos taisyklių.

Montavimą ir aptarnavimą patikėkite tik kvalifikuotiems specialistams.

Prieš atlikdami bet kokią reguliavimą (pvz., keisdami lizdus), įrankį atjunkite nuo suspausto oro linijos.

Prieš naudodamiesi įrankiu, patikrinkite sukimosi kryptį.

Veržlėsukių su sukimo momento atoveikio skląščiu operatoriai turi ypač saugotis, kad išvengtų sužalojimų dėl suspaudimo.

Saugumo sumetimais niekada niekam neleiskite dirbti įrankiu, nebent asmuo yra parengtas ir gerai žino, kaip įrankis veikia įvairiomis aplinkybėmis. Skaitykite skyrių „Atoveikio skląstis“.

Įrankį galima naudoti tik kartu su veikiančiu sukimo momento atoveikio skląščiu, kuris pritaikytas atliekamam sujungimo varžtais darbui. Dar skaitykite instrukcijas dalyje „Atoveikio skląstis“.

Dirbdami įrankiu, **niekada nedėkite rankų prie atoveikio skląščio**.

Patikrinkite, ar maitinimo lizdas gerai pritvirtintas. Kai reikia, keiskite atraminį ar fiksuojamąjį kaištį. Taip pat pakeiskite bet kokia nusidėvėjusią movą.

Saugokitės, kad rankos, ilgi plaukai ar kiti objektai nepatektų į besisukančią movą.

Jei naudojate kabamąją svirtį, patikrinkite, kad ji būtų geros būklės ir gerai pritvirtinta.

CP GARANTIJA

- 1) Šis CP produktas turi surinkimo ir medžiagų broko garantiją 12 mėnesių laikotarpiui nuo įsigijimo iš CP arba bendrovės agentų dienos, su sąlyga, kad naudojimas yra apribotas vienos pamainos naudojimui. Jei naudojimas viršija vieną pamainą, garantijos laikotarpis bus proporciškai trumpesnis.
- 2) Jei garantijos laikotarpiu paaiškėja, kad produktas turi medžiagų arba surinkimo kokybės broką, jis turi būti grąžintas bendrovei CP arba jos agentams, kartu su trumpu įtariamo defekto aprašymu. Bendrovė CP savo nuožiūra organizuos prekės nemokamą taisymą arba pakeitimą, kurie, bendrovės nuožiūra, yra brokuoti dėl surinkimo kokybės arba medžiagų broko.
- 3) Ši garantija negalioja produktams, kurie buvo netinkamai naudojami, kuriais buvo piktnaudžiaujama arba kurie buvo modifikuoti, arba kurie buvo taisomi naudojant kitokias detales, negu tikros CP atsarginės dalys arba taisomi ne bendrovės įgaliotų aptarnavimo agentų.
- 4) Jei bendrovė CP turės kokių nors išlaidų, susijusių su defektų taisymu, ir tie defektai kilo dėl neteisingo naudojimo, piktnaudžiavimo, atsitiktinio sugadinimo arba neleistino modifikavimo, bendrovė reikalaus pilnai atlyginti tokias išlaidas.
- 5) Bendrovė CP nepriims pretenzijų, susijusių su darbo jėgos ir kitokiomis išlaidomis, susijusiomis su brokuotais produktais.
- 6) Bet kurie tiesioginiai, atsitiktiniai arba pasekminiai nuostoliai, kylantys iš bet kokio broko, nėra apimami šios garantijos.
- 7) Ši garantija yra suteikiama pakeičiant visas kitas garantijas ar sąlygas, numatytas tiesiogiai arba išvestiniu būdu, kiek tai susiję su kokybe, tinkamumu pardavimui arba tinkamumu kokiam nors konkrečiam tikslui.
- 8) Niekas – nepriklausomai nuo to, ar tai yra bendrovės CP agentas, tarnautojas ar darbuotojas – neturi teisės modifikuoti šios ribotos garantijos sąlygų arba ką nors prie jų pridėti.

Part no	8940166747
Issue no	1
Series no	1
Date	2010-01
Page	118



ИНСТРУКЦИЯ ПО ЭКСПЛУАТАЦИИ

Данное изделие предназначено для установки (извлечения) резьбовых крепежных деталей в деревянные, металлические и пластиковые поверхности. Использование не по назначению не допускается. Только для профессионального использования.

Основные характеристики

Диапазон крутящих моментов	300-900 Нм
Скорость без нагрузки	100 об/мин
Рабочее давление	3-7 бар
Потребление воздуха	19 л/мин
Вес:	
CP7600 C	6.8 kg
CP7600 C-R	7.4 kg
CP7600 C-4P	7.1 kg
CP7600 C-R4P	7.7 kg

Уровень шума и вибраций

Уровень шума согласно ISO15744	дБ
Уровень звукового давления	79
Определенный уровень акустической мощности	
Распространение в зависимости от метода работы	3

Уровень вибраций согласно ISO 8662-7	м/с²
Значение вибраций	<2.5
Распространение в зависимости от метода работы	

Заявленные значения уровня шума и излучения колебаний

Эти значения были измерены исследовательской лабораторией в соответствии с действующими нормами, ни в коем случае они не могут быть использованы для оценки рисков. Значения, измеренные на рабочих местах, могут превышать заявленные значения. Реальные значения подвержения воздействию внешних факторов и риска телесных повреждений, которые могут возникнуть вследствие подвержения воздействию колебаний, являются индивидуальными и зависят от манеры работы пользователя, обрабатываемой детали и ее формы, а также от времени подвержения воздействию внешних факторов и физических особенностей пользователя. Компания CP не несет ответственность за повреждения, нанесенные реальными значениями, превышающими заявленные значения, ввиду того что использование инструментов никак не может контролироваться компанией CP.



Copyright

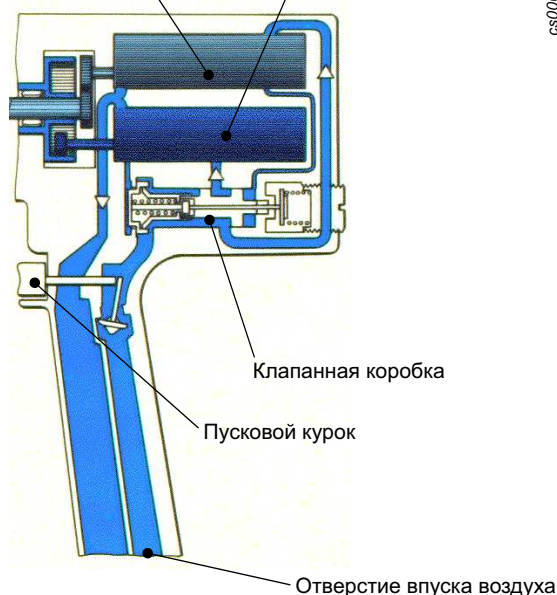
© Copyright 2008, CP Все права защищены. Любое незаконное использование или воспроизведение, полное или частичное, запрещены. Это относится, в частности, к зарегистрированным товарным знакам, наименованиям моделей, номерам деталей и схем. Использовать исключительно разрешенные детали. Гарантия продукта не распространяется на любые убытки или ненадлежащее функционирование, вызванные использованием не разрешенной детали, в данном случае производитель не будет нести ответственности.

Принцип действия

Клапанная коробка внутри CP7600 выполняет две ключевые функции:

Подача воздуха к двум пневматическим двигателям и отключение подачи воздуха к устройству.

Двигатель торможения Двигатель затяжки



Торможение

При нажатии на пусковой курок воздух проходит через клапанную коробку к вращающемуся двигателю торможения. Этот двигатель вращает шестерню с низким передаточным числом, создавая высокую скорость вращения и низкий крутящий момент.

Переключатель двигателя

Поскольку крутящая нагрузка, подаваемая на вторичный привод устройства CP7600, увеличивается, двигатель торможения замедляется, вызывая увеличение давления воздуха в двигателе. Под действием этого давления клапан изменяет свое положение.

Затяжка

Затем воздух проходит через двигатель затяжки. Этот двигатель вращает шестерню с высоким передаточным числом, создавая низкую скорость и высокий крутящий момент.

Отключение подачи воздуха

При дальнейшем увеличении крутящей нагрузки двигатель затяжки замедляется, увеличивая давление воздуха в двигателе. Когда давление воздуха превышает заданную силу пружи-

ны, поршень в клапанной коробке сдвигается, полностью отсекая подачу воздуха.

Регулировка отключения подачи воздуха

Регулировка силы пружины выполняется во время калибровки устройства. Определенное давление воздуха (обычно 6.3 бар/90 фунтов на кв. дюйм) вызывает определенный крутящий момент.

ПРЕДУПРЕЖДЕНИЕ



Изменение давления воздуха приводит к изменению процесса отключения подачи воздуха. Если давление воздуха превышает калибровочное давление воздуха, то отсечение подачи воздуха произойдет раньше достижения нужного крутящего момента.

Установка

Качество воздуха

- Для оптимальной производительности и максимального срока эксплуатации механизма рекомендуется использовать сжатый воздух с температурой конденсации +2...+10 °С. Также рекомендуется установка осушителя воздуха охлаждающего типа.
- Используйте отдельный воздушный фильтр, задерживающий твердые частички размером более 30 микрон и более 90% влаги, и устанавливаемый как можно ближе к механизму перед другими устройствами подготовки воздуха. Продуйте воздухопроводы перед их подключением.
- Содержание масла в сжатом воздухе должно быть незначительным. Настоятельно рекомендуем устанавливать масло-распылитель однократного распыления, настроенный на 3-4 капли (50 куб. мм)/1 куб. м потребляемого воздуха (для устройств с долгосрочным рабочим циклом), или одноточечный смазочный механизм (для устройств с краткосрочным рабочим циклом). При работе с устройствами, не требующими смазки, допускается содержание в воздухе незначительного количества смазки, подаваемой смазочным механизмом.
- Исключение составляют устройства с турбинами, в которых использование смазки не допускается. (см. раздел «Принадлежности систем подачи воздуха» в нашем главном каталоге).

Подсоединение подачи сжатого воздуха

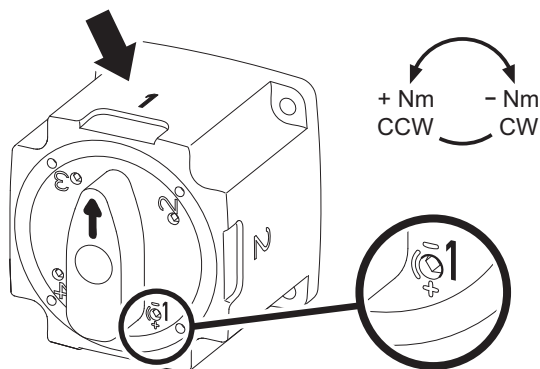
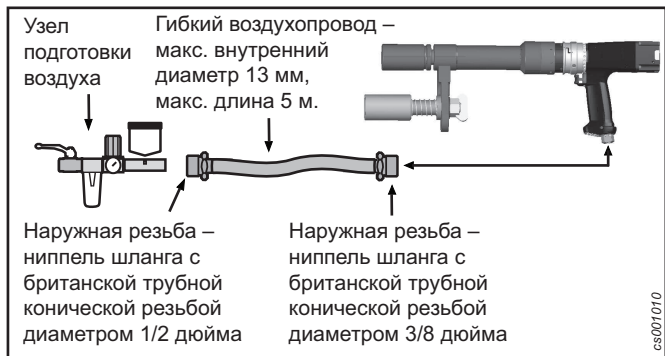
- Механизм предназначен для работы с давлением 3-7 бар = 300-700 кПа = 87-102 дюйма на кв. фут.
- Продуйте воздухопроводы перед их подключением.

Рекомендации по установке

Для обеспечения правильного функционирования устройства настоятельно рекомендуется следовать инструкциям по сборке системы подачи воздуха от точки отвода до устройства.

Part no 8940166747
 Issue no 1
 Series no 1
 Date 2010-01
 Page 120

RU



Работа с устройством

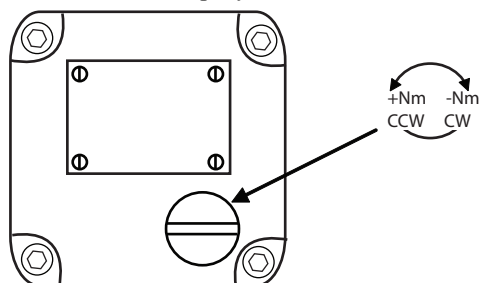
Настройка момента затяжки

Для точного и безопасного функционирования устройства, момент затяжки гайковерта должен быть правильно выставлен в соответствии с типом винтового соединения. Проверьте, с каким моментом затяжки было выполнено данное соединение.

Давление воздуха, подаваемого узлом подготовки воздуха, устанавливается в соответствии с давлением без нагрузки (обычно 6.0 - 6.3 бар), указанным в сертификате по калибровке (пусковой курок полностью нажат, гайковерт свободно вращается без нагрузки в течение нескольких секунд).

Единый регулятор момента затяжки

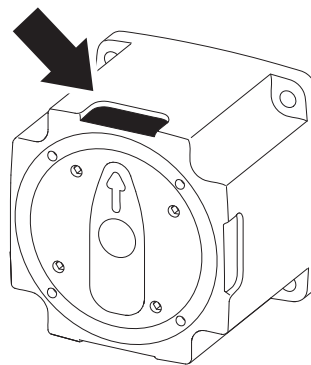
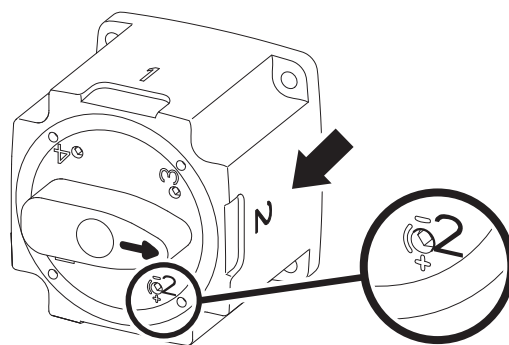
Регулирует крутящий момент посредством регулировочного винта. Крутящий момент увеличивается при вращении винта против часовой стрелки. После проведения регулировки проверьте момент затяжки на требуемом соединении.



❗ Если отключение подачи воздуха происходит на высокой скорости вращения, вызывая разброс крутящего момента, рекомендуется снизить давление воздуха.

4-позиционный регулятор

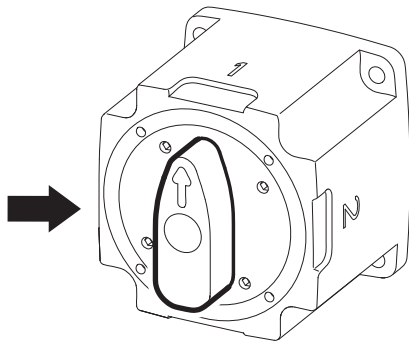
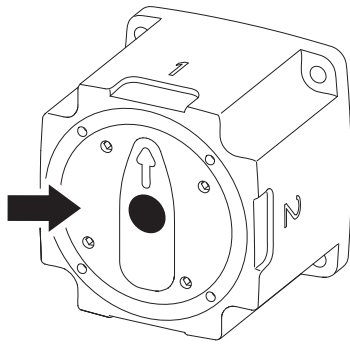
Для установки крутящего момента 1 переведите вращающийся переключатель в положение, соответствующее нужной метке на корпусе. Настройте регулировочный винт на 1. Направление для увеличения/уменьшения крутящего момента указано на регуляторе. Для установки крутящего момента 2, установите вращающийся переключатель напротив отметки 2 на корпусе. Настройте регулировочный винт 2.



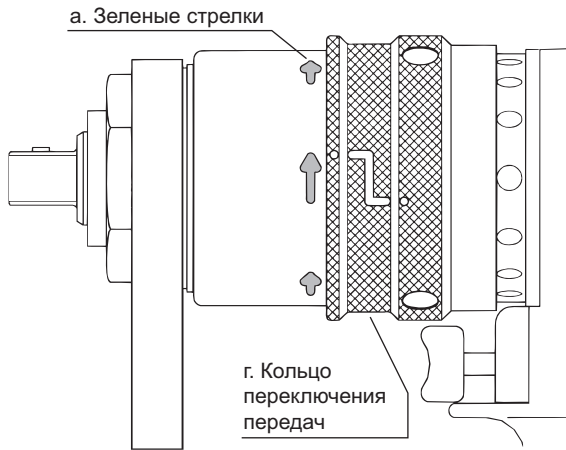
Чтобы запомнить собственные регулировки крутящего момента, отметьте на корпусе соответствующее положение регуляторов.

Руководство по эксплуатации Выбор момента затяжки

Нажмите на черную кнопку. Поверните вращающийся регулятор в нужное положение. Верните вращающийся регулятор в исходное положение.



**Положение кольца переключения передач –
вращение по часовой стрелке**

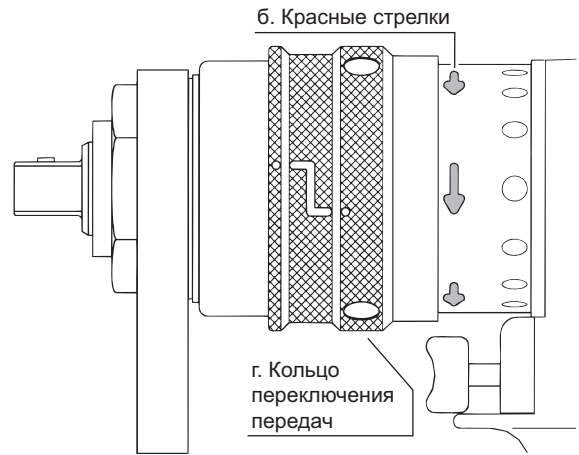


cs000810

cs001060

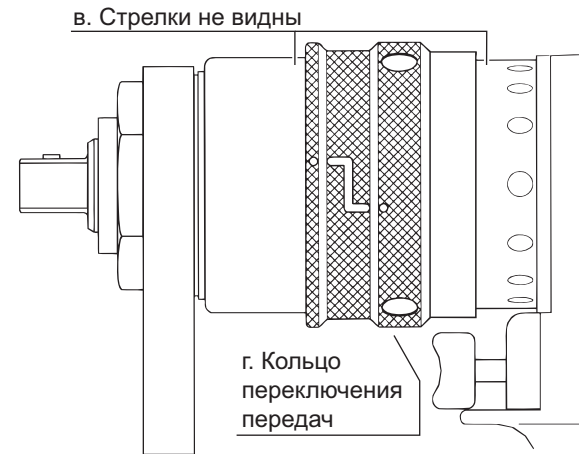
cs000940

**Положение кольца переключения передач –
вращение против часовой стрелки**



cs000950

**Положение кольца переключения передач –
промежуточное положение**



cs000960

**Инструкции по переходу к движению в противо-
положную сторону**

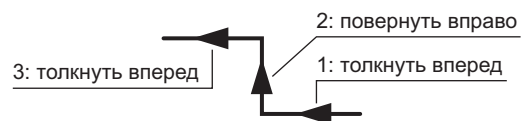
При отсутствии автоматического возврата переключателя передач в зафиксированное положение, перед началом работы всегда проверяйте направление вращения – стрелки-указатели должны быть четко видны.

ПРЕДУПРЕЖДЕНИЕ



Никогда не изменяйте направление вращения при работающем устройстве.
Не начинайте работу, если регулировочное кольцо находится в промежуточном положении.

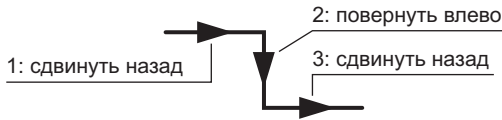
Обхватите регулировочное кольцо рукой и сдвиньте его вперед – вправо – вперед, см. рис. ниже.



cs000970

Красные стрелки указывают направление вращения, т.е. после запуска устройство будет вращаться против часовой стрелки.

При переходе к вращению по часовой стрелке, потяните кольцо назад – влево – назад, см. рис. ниже.



cs000980

Зеленые стрелки указывают направление вращения, т.е. после запуска устройство будет вращаться по часовой стрелке. При вращении в любом направлении нет необходимости удерживать кольцо рукой.

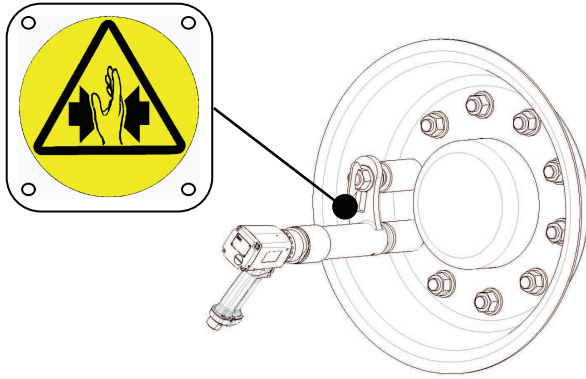
Удлиненная реактивная штанга с позиционированием подпружиненной трубки

Отрегулируйте межцентровое расстояние между гнездом и подпружиненной трубкой, служащей для завинчивания/отвинчивания гаек.

Убедитесь, что подпружиненная трубка плотно прилегает к реактивной штанге.

Установите реактивную штангу в нужное положение, прежде чем включать устройство.

Реактивная штанга непременно должна вращаться вокруг ступицы.



cs001020

Техническое обслуживание

Обеспечение максимальной производительности

Для максимальной производительности и безопасности функционирования необходима регулярная смазка устройства. Двигатель необходимо смазывать жидкой смазкой; капли масла могут распыляться в подаваемый сжатый воздух или непосредственно в отверстия впуска воздуха.

Пусковой курок, зубчатые шестерни, игольчатые и шариковые подшипники должны смазываться густой смазкой во время регулярного ремонта устройства.

Смазка для углового редуктора и муфты должны содержать дисульфид молибдена: например, «Molykote BR2 Plus» или аналогичная марка.

Используйте высококачественные смазки. Приведенные примеры жидких и густых смазок являются рекомендуемыми.

Защита от ржавчины и внутренняя очистка

Содержащиеся в воздухе вода, пыль и частицы износа вызывают ржавление и засорение лопастей, клапанов и т.п. Необходимо установить воздушный фильтр как можно ближе к устройству (см. раздел "Качество воздуха").

Руководство по обслуживанию

Рекомендуется производить ремонт и профилактическое обслуживание с регулярными интервалами раз в год или после

250 тыс. затягиваний в зависимости от того, что наступит раньше. В случае работы с высокими моментами затяжки или при длительных рабочих циклах может потребоваться более частая профилактика. При сбоях в работе устройства необходимо немедленно провести его осмотр.

Фильтр на впускном отверстии воздуха и глушитель шума выпуска необходимо регулярно очищать или заменять во избежание засорения, иначе это может привести к снижению производительности.

При проведении планового ремонта все части должны быть очищены, а изношенные или вышедшие из строя детали – заменены (напр., лопасти или уплотнительные кольца).

Разборка/сборка

Винтовые соединения устройства должны быть плотно затянуты, в соответствии со спецификациями, указанными на компонентных изображениях.

ⓘ Перед сборкой смазывайте уплотнительные кольца и резьбовые соединения густой смазкой.

Очистка

Тщательно очищайте все детали уайт-спиритом или аналогичным чистящим средством.

Во избежание засорения и снижения мощности устройства может потребоваться внеплановая очистка фильтров.

Осмотр

После очистки осмотрите все детали. Поврежденные или изношенные детали должны быть заменены.

Смазка

Смазка для шестерен, клапана и муфты должна содержать дисульфид молибдена (напр., «Molykote BR2 Plus»). См. компонентные изображения и рис. в разделе «Руководство по обслуживанию».

Справочник по смазкам для гайковертов

Марка	Подшипники (общая цель)	Блок муфты свободного хода (зубчатый венец и зубчатые колеса)	Муфта свободного хода
BP	Energrease LS-EP2		Energrease LS-EP2
Castrol	Spheerol EP L2		
Esso	Beacon EP2		Beacon EP2
Q8	Rembrandt EP2		Rembrandt EP2
Mobil	Mobilegrease XHP 222		
Shell	Alvania EP2		Alvania EP2
Texaco	Multifak EP2		
Molycote			
Lubricating		Suntemp LE 9102	
STP		Oil treatment	



Part no	8940166747
Issue no	1
Series no	1
Date	2010-01
Page	123

Марка	Шестерни	Воздух смазки
Bp		Energol E46
Castro		
Esso		AroxEP46
Q8		Chopin 46
Mobil		Almo oil 525
Shell		Torcula 32
Texaco		Aries 32
Molycote	BR2 Plus	

Правила техники безопасности

Внимание!

Прежде чем приступать к работе, ознакомьтесь с руководством по эксплуатации устройства.

Данное устройство, включая дополнительные приспособления, должно использоваться только по назначению.

Следует постоянно соблюдать все принятые местными властями правила техники безопасности при установке, эксплуатации и обслуживанию.

Установка и техническое обслуживание должны проводиться исключительно квалифицированным персоналом.

Перед проведением любых регулировок (напр., замена гнезд), отсоедините устройство от подачи сжатого воздуха.

Перед использованием устройства проверьте направление вращения.

Лица, работающие с гайковертами с опорной переключателем крутящего момента, должны быть предельно осторожны, чтобы не допустить защемления конечностей. Для обеспечения безопасности, не допускайте к работе с устройством лиц, не прошедших обучение и не знакомых с методами работы с устройством в различных рабочих ситуациях. См. раздел «Удлиненный передатчик крутящего момента».

Устройство может быть использовано только с реактивной штангой для соответствующего крутящего момента, разработанной для необходимого типа винтового соединения. Также см. инструкции в разделе «Опорная пластина».


Никогда не кладите руки на реактивную штангу во время работы устройства.

Убедитесь, что сетевая розетка вставлена плотно. При необходимости, замените удерживающий или блокировочный штифт. Изношенное гнездо также необходимо заменить.

Следите за тем, чтобы руки, длинные волосы или другие объекты не попадали во вращающееся гнездо.

При использовании подвески для крепления убедитесь, что она исправна и надежно закреплена.



Part no	8940166747	
Issue no	1	
Series no	1	
Date	2010-01	
Page	124	

ГАРАНТИЯ ФИРМЫ СР

- 1) Настоящее изделие СР гарантировано от дефектов изготовления и материалов в течение периода не более 12 месяцев с даты приобретения у фирмы СР или её агентов, при условии, что его эксплуатация в течение всего этого периода была ограничена работой в одну смену. В случае, если интенсивность эксплуатации превышала односменную, гарантийный период будет сокращен пропорционально.
- 2) Если в течение гарантийного периода в изделии будет обнаружен дефект изготовления или материалов, оно должно быть возвращено на фирму СР или её агентам, вместе с кратким описанием подозреваемого дефекта. СР, по её усмотрению, либо организует ремонт либо бесплатную замену тех частей, которые признаны неисправными по причине дефектов изготовления или материалов.
- 3) Настоящая гарантия перестает действовать в отношении изделий, которые неправильно эксплуатировались или использовались не по назначению или модифицированы или были отремонтированы с использованием запчастей, не являющихся подлинными частями производства СР, или отремонтированы кем-либо, кроме самой фирмы СР или санкционированных ею агентов по обслуживанию.
- 4) В случае, если СР понесет расходы по исправлению дефектов, возникших в результате неправильной эксплуатации или использованию не по назначению или в результате случайного повреждения или несанкционированной модификации, фирма потребует от клиента полного возмещения расходов.
- 5) СР не принимает требования о возмещении расходов на рабочую силу или других расходов, понесенных в отношении дефектных изделий.
- 6) Любые прямые, случайные или косвенные убытки, понесенные в результате любых последствий любого дефекта, настоящим явным образом исключаются из гарантийных обязательств.
- 7) Настоящая гарантия дана взамен всех остальных гарантий или условий, явных или подразумеваемых, в отношении качества, годности для продажи или пригодности к какой-либо конкретной цели использования.
- 8) Никто, будь то агент, служащий или наемный работник фирмы СР, не уполномочен никоим образом добавлять или видоизменять условия и установления настоящей ограниченной

INSTRUKCIJU ROKASGRĀMATA

Šis produkts ir paredzēts vītņotu stiprinājumu nofiksēšanai koka, metāla un plastmasas virsmā, kā arī izņemšanai no šīm virsmām. Jebkāda cita veida izmantošana nav atļauta. Paredzēts izmantot tikai profesionāli.

Galvenie raksturlielumi

Griezes momenta diapazons	300 - 900 Nm
Brīvgaitas ātrums	100 apgr./min.
Darba spiediens	3 - 7 bāri
Gaisa patēriņš	19 l/s (40CFM - kubikpēdas minūtēs)
Svars:	
CP7600 C	6.8 kg
CP7600 C-R	7.4 kg
CP7600 C-4P	7.1 kg
CP7600 C-R4P	7.7 kg

Trokšņa un vibrācijas emisija

Troksnis atbilstoši PN8NTC	dB(A)
Izmērītais skaņas spiediena līmenis	79
Noteiktais akustiskās jaudas līmenis	
Izplešanās metodē un ražošanā	3

Vibrācija atbilstoši ISO 8662-7	m/s ²
Izmērītās vibrācijas vērtība	<2.5
Izplešanās metodē un ražošanā	

Paziņojums par izdalīto troksni un vibrācijām

Dotās vērtības tika iegūtas pārbaudēs laboratorijas apstākļos saskaņā ar esošajiem standartiem un nav paredzētas lietot riska novērtēšanai. Atsevišķās darba vietās mērītās vērtības var būt lielākas par dotajām. Atsevišķā lietotāja reālā pakļautība iedarbībai un bīstamības līmenis ir atšķirīgs katrā atsevišķā gadījumā un ir atkarīgs no lietošanas veida, sagataves un darbgalda, kā arī iedarbības laika un lietotāja fiziskā stāvokļa.

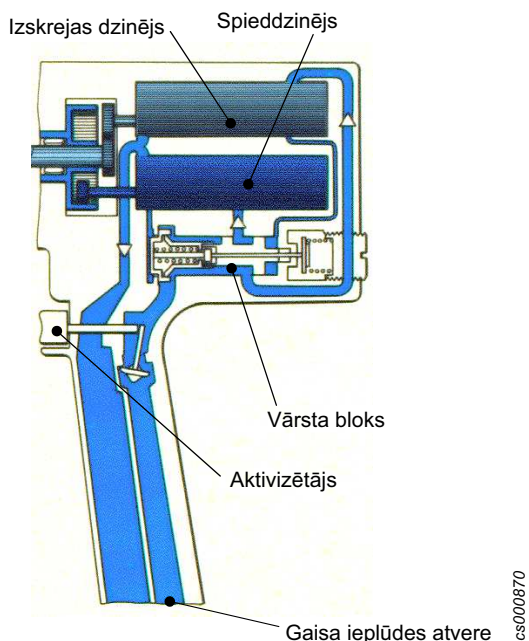
Mēs, CP, neuzņemamies atbildību par instrumenta lietošanu, pamatojoties uz dotajām vērtībām, nevis faktiskās iedarbības vērtībām, kas iegūtas atsevišķā mūsu nekontrolētā darba vietas riska vērtēšanas procesā.

Copyright

© Copyright 2008, CP. Visas tiesības aizsargātas. Jebkāda neatļauta pamācības satura vai tā daļu kopēšana vai izmantošana aizliegta. Tas īpaši attiecas uz preču zīmēm, modeļu nosaukumiem, daļu numuriem un zīmējumiem. Izmantojiet tikai paredzētās detaļas. Bojājumi vai kļūmes, kas radušies neparedzētu detaļu izmantošanas dēļ, nav iekļauti garantijas un izstrādājuma atbildības nosacījumos.

Princips

CP7600 iekšpusē vārsta bloks veic 2 galvenās funkcijas: dzen gaisu caur diviem pneimodzinējiem un noslēdz gaisa padevi instrumentam.



Izkreja

Nospiežot aktivizētāju, gaiss plūst caur vārsta bloku, dzenot gaisu caur rotējošo izkresas dzinēju. Šis dzinējs izmanto zemu pārnesuma koeficientu, attīstot lielu ātrumu un zemu griezes momentu.

Dzinēja pārslēgšana

Palielinot apgriezīgu skaitu CP7600 izejas piedziņai, izkresas dzinējs palēninās, radot augstāku gaisa spiedienu dzinēja iekšpusē. Vārsts tiek nospiests citā stāvoklī augstāka spiediena dēļ.

Pievilksana

Gaiss pēc tam tiek dzīts caur spieddzinēju. Šis dzinējs izmanto augstu pārnesuma koeficientu, attīstot mazu ātrumu un augstu griezes momentu.

Noslēgšana

Apgriezīgu skaitam turpinot palielināties, izkresas dzinējs palēnina darbību, radot augstāku gaisa spiedienu dzinējā. Kad šis gaisa spiediens pārsniedz neregulēto atsperes radīto spiedienu, vārsta blokā esošais virzulis tiek nospiests, noslēdzot visu gaisa padevi.

Noslēgšanas regulēšana

Atsperes radītais spiediens tiek regulēts, kalibrējot instrumentu. Konkrēts gaisa spiediens (parasti 6,3 bar/90 psi) rada konkrētu griezes momentu.

BRĪDINĀJUMS



Izmaiņas gaisa spiedienā ietekmēs noslēgšanas izpildi.

Ja gaisa spiediens ir augstāks nekā kalibrēšanas gaisa spiediens, noslēgšana iestāsies ātrāk un griezes moments būs zemāks nekā gaidīts.

Ļoti svarīgi ir darbināt CP7600 ar tādu gaisa spiedienu, kāds ir norādīts uz kalibrēšanas sertifikāta, lai sasniegtu atbilstošu griezes momentu.

Uzstādīšana

Gaisa kvalitāte

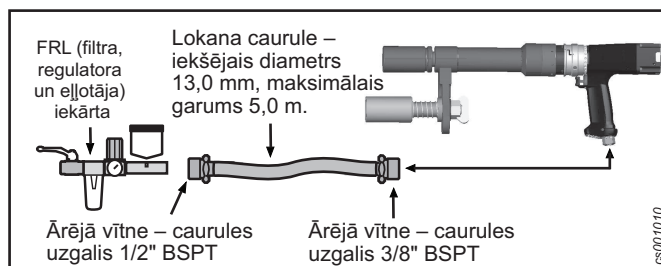
- Lai sasniegtu ierīces optimālu darbību un maksimālu kalpošanas laiku, iesakām izmantot saspiestu gaisu ar rasas punktu no +2°C līdz +10°C. Dzesētājtipa gaisa žāvētāja uzstādīšana ir ieteicama.
- Izmantojiet atsevišķu gaisa filtru, noņemiet cietās daļiņas, kas ir lielākas par 30 mikroniem un 90% no kuru sastāva veido šķidrums ūdens, kas ir uzstādīts pēc iespējas tuvāk ierīcei un pirms jebkuras citas gaisa sagatavošanas iekārtas.
- Pirms savienošanas izpūst cauruli. Saspiestajam gaisam jāsaturs neliels daudzums eļļas. Īpaši iesakām uzstādīt eļļas smidzinātāju, kuru parasti jānoregulē uz 3-4 pilieniem (50mm³)/m³ gaisa patēriņam, ilgākiem instrumenta izmantošanas cikliem vai vienpunkta eļļotāju īslaicīgiem instrumentu izmantošanas cikliem.
- Atkarībā no klienta izvēles, instrumenti, kuriem nav nepieciešama eļļošana, netiek pakļauti negatīvai iedarbībai, ja saspiestais gaiss satur nelielu daudzumu eļļotāja nodrošinātās eļļas. Izņēmums ir turbīnas instrumenti, kurus nevar izmantot pakļaut eļļas iedarbībai. (skatīt "Gaisa cauruļvada papildaprīkojums" mūsu galvenajā katalogā).

Saspiestā gaisa savienojums

- Ierīcei paredzētais darba spiediens ir (e) 3–7 bar = 300–700 kPa = 87–102 psi.
- Pirms savienošanas izpūst cauruli.

Ieteicamā uzstādīšana

Lai nodrošinātu pareizu ierīces darbības jaudu, īpaši iesakām ievērot pievienoto uzstādīšanas shēmu no gaisa tīkla atzara punkta līdz instrumentam.



Apiešanās

Aizgriešanas griezes momenta iestatīšana

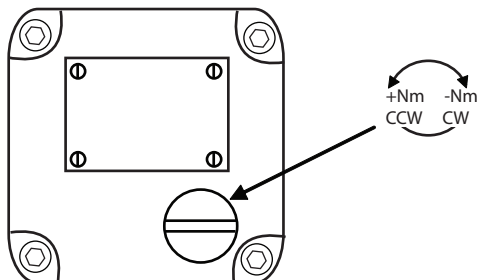
Lai nodrošinātu atbilstošu darbību un drošību, aizgriešanas griezes moments jānoregulē pareizi attiecībā uz skrūvsavienojumu. Pārbaudiet aizgriešanas griezes momentu, kas izmantots uz attiecīgā savienojuma.

FRL iekārta nodrošinātais gaisa spiediens ir neregulēts atbilstoši uz kalibrēšanas sertifikāta norādītajam spiedienam brīvgaitas

ātrumā (aktivizētājs pilnībā nospiests, un uzgriežņgriezis darbojas brīvi bez slodzes dažas sekundes) - parasti 6,0 - 6,3 bāri.

Viena griezes momenta selektors

Ar regulēšanas atslēgas palīdzību noregulējiet griezes momentu. Griezes moments tiek palielināts, griežot skrūvi pretēji pulksteņrādītāja griešanās virzienam. Pēc noregulēšanas pārbaudiet aizgriešanas griezes momentu, kas izmantots uz attiecīgā savienojuma.

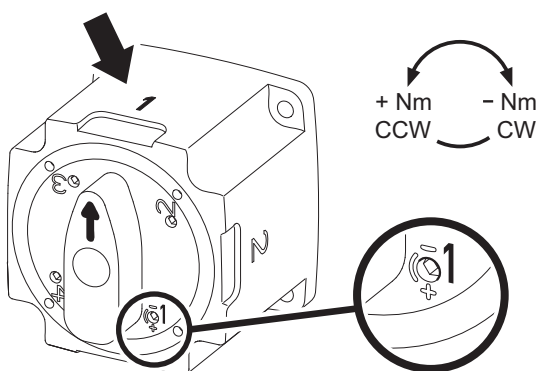


c000850

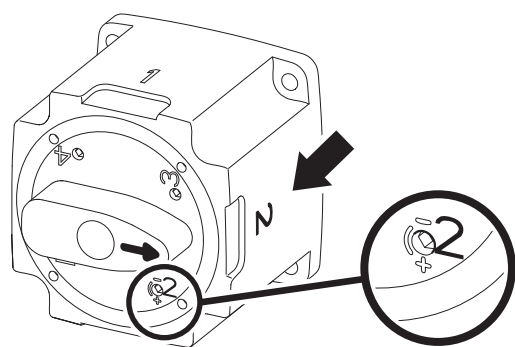
- ⓘ Ja noslēgšana tiek veikta pie augsta griešanās ātruma, kas izraisa augstu griezes momenta izkliedi, tiek ieteikts samazināt gaisa spiedienu.

4 stāvokļu selektors

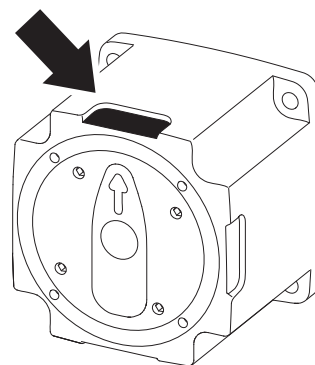
Lai iestatītu 1. griezes momentu, pagrieziet rotācijas slēdzi uz atsaucē atzīmi uz korpusa. Iestatiet 1. regulēšanas skrūvi. Skatīt atzīmi uz slēdža par to, kā palielināt / samazināt griezes momentu. Lai iestatītu 2. griezes momentu, pagrieziet rotācijas slēdzi uz 2. atsaucē atzīmi uz korpusa. Iestatiet 2. regulēšanas skrūvi.



cs000800



cs001040

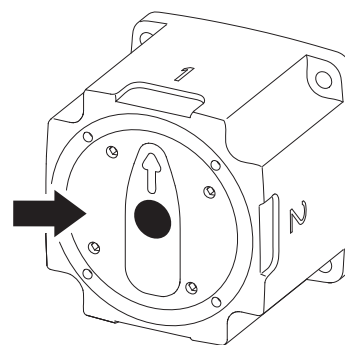


cs001050

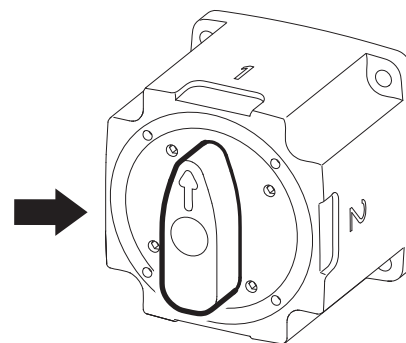
Atcerieties savus griezes momenta iestatījumus, izdarot savas atzīmes uz korpusa četrām daļām.

Ekspluatācijas norādījumi Aizgriešanas griezes momenta izvēle

Nospiediet melno pogu. Pagrieziet rotācijas slēdzi izvēlētajā stāvoklī. Iespiediet rotācijas slēdzi atpakaļ korpusā.

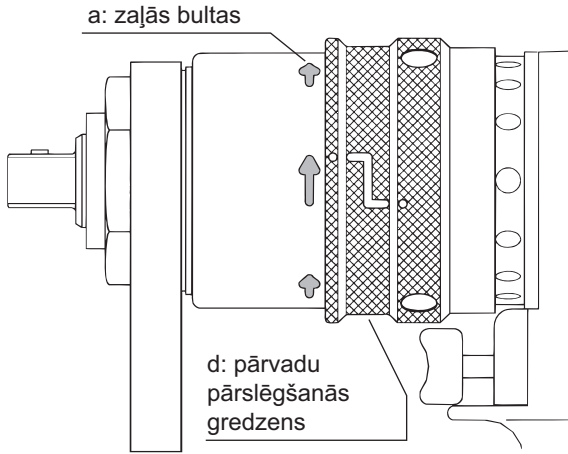


cs000810



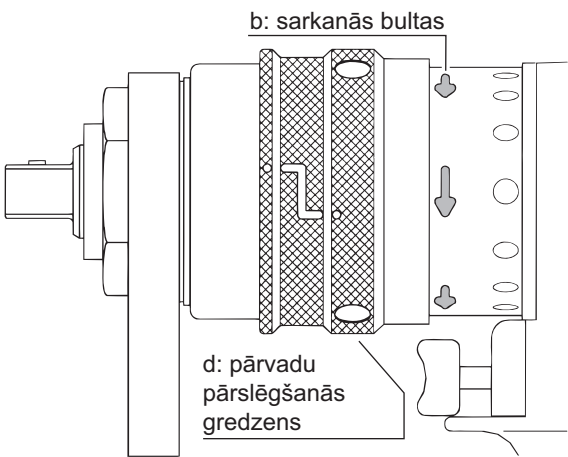
cs001060

Pārvaldu pārslēgšanās gredzena stāvoklis - pārvaldu stāvoklis pulksteņrādītāju griešanās virzienā



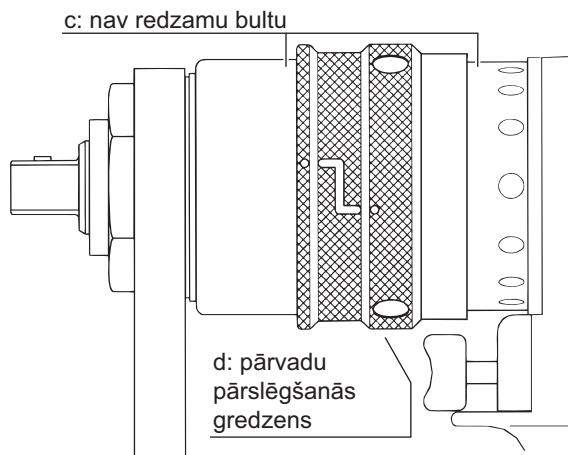
cs000940

Pārvaldu pārslēgšanās gredzena stāvoklis - pretēji pulksteņrādītāju griešanās virzienam pārvaldu stāvoklis



cs000950

Pārvaldu pārslēgšanās gredzena stāvoklis - centrālais pārvaldu stāvoklis



cs000960

Norādījumi darbības virziena maiņai

Tā kā nav automātiskas funkcijas pārvaldu pārslēgta atgriešanai fiksētā stāvoklī, pirms darba sākšanas vienmēr pārbaudiet, vai

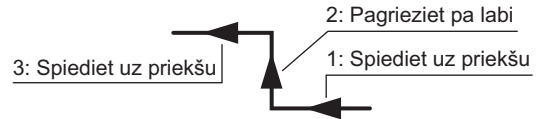
pārvaldu pārslēgs ir ar skaidri redzamām visām bultām stāvoklī pulksteņrādītāju griešanās virzienā vai pretējā virzienā.

BRĪDINĀJUMS



Nekad nepārslēdziet pārvaldus, ierīcei darbojoties. Nekad neiedarbiniet ierīci, kamēr pārvaldu pārslēgs atrodas centrālajā stāvoklī.

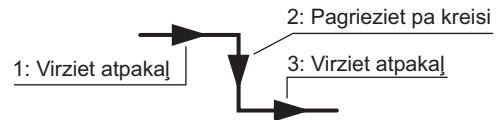
Satveriet pārvaldu pārslēgta gredzenu ar roku un virziet to uz priekšu – pa labi – uz priekšu, skat. attēlu zemāk.



cs000970

Sarkanās bultas norāda skrūvēšanas virzienu, t.i., sākot darbību, ierīce darbosies pretēji pulksteņrādītāju griešanās virzienam.

Lai pārslēgtu atpakaļ pulksteņrādītāju griešanās virzienā, pavelciet gredzenu atpakaļ – pa kreisi – atpakaļ, skatīt attēlu zemāk.

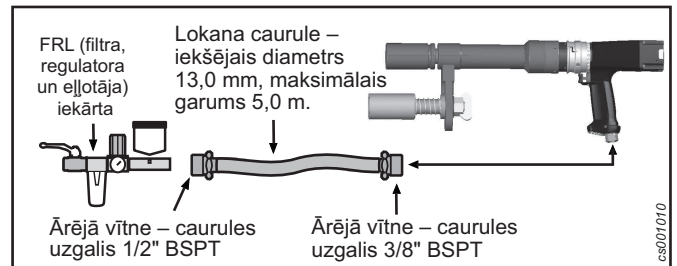


cs000980

Zaļās bultas norāda skrūvēšanas virzienu, t.i., sākot darbību, ierīce darbosies pulksteņrādītāju griešanās virzienā. Nav nepieciešams noturēt gredzenu abos stāvokļos ar roku.

Pagarināta reaktīvā svira ar pielāgojamu cauruli, aprīkots ar atsperes mehānismu

Noregulējiet attālumu no ass līdz asij starp uzdevu un ar atsperes mehānismu aprīkoto cauruli, lai atbilstoši pievilktu/atšķrūvētu skrūves. Pārbaudiet, vai ar atsperes mehānismu aprīkotā caurule ir cieši savienota ar reaktīvo sviru. Pirms ierīces ieslēgšanas novietojiet reaktīvo kātu vēlamajā stāvoklī. Reaktīvajam rokturim pilnībā jāgriežas ap rumbu.



cs001010

Apkope

Maksimālas veiktspējas nodrošināšanai

Ir svarīgi regulāri ieeļļot ierīci, lai nodrošinātu maksimālu veiktspēju un darbību bez traucējumiem. Dzinējam vajadzētu būt iezīstam ar eļļu; t.i. eļļas pilienu var iepilināt vai nu saspīstajā gaisā, vai nu tieši gaisa ieplūdes atverē.

Aktivizētajam, planetārajiem pārvaldiem, adatveida un lodveida gultņiem jābūt ieeļļotiem ar ziedi ierīces regulārās pārbaudes laikā.

Leņķa pārvaldam un sajūgam jābūt ieeļļotam ar molibdēna disulfīdu saturošu ziedi: piemēram, Molykote BR2 Plus vai līdzīga zīmola produktu. Izmantojiet kvalitatīvas smērvielas. Tabulā minētās eļļas un ziedes ir ieteicamo smērvielu piemēri.

Aizsardzība pret rūsu un iekšējā tīrīšana

Saspiestajā gaisā esošais ūdens, putekļi un nolietojuma rezultātā radušās daļiņas izraisa rūšēšanu un lāpstiņu, vārstu salīpšanu utt. Ierīces tuvumā vajadzētu uzstādīt gaisa filtru (skatīt "Gaisa kvalitāte").

Servisa norādījumi

Pārbaudes un profilaktisko apkopi ieteicams veikt regulāri vienreiz gadā vai arī pēc maksimāli 250 000 savilcēm atkarībā no tā, kurš no attiecīgajiem brīžiem iestājas pirmais. Biežākas pārbaudes var būt nepieciešamas, ja ierīce tiek izmantota pie lieliem griezes momentiem vai ilga savilces laika. Ja ierīce darbojas neatbilstoši, tā nekavējoties jānogādā uz pārbaudi.

Sietiņu pie gaisa ieplūdes atveres un izplūdes trokšņa slāpētāja vajadzētu bieži tīrīt vai mainīt, lai novērstu aizsērēšanu, kas samazina darbības jaudu.

Pārbaūžu laikā visas daļas vajadzētu rūpīgi notīrīt un bojātās vai nolietotās daļas (t.i. blīvgredzenus, lāpstiņas) vajadzētu nomainīt.

Izjaukšana / salikšana

Ir svarīgi, ka ierīces vītņotie savienojumi ir atbilstoši pievilkti; t.i. saskaņā ar norādījumiem, kas redzami ierīces rasējumos mērogā.

- ❗ Pirms salikšanas ieeļļojiet blīvgredzenus un vītņotos savienojumus ar ziedi.

Tīrīšana

Rūpīgi notīriet visas daļas ar balto spirtu vai līdzīgu tīrīšanas līdzekli.

Lai novērstu aizsērēšanu un darbības jaudas samazināšanos, pārbaūžu starplaikā var būt nepieciešams notīrīt sietiņu (ja tāds tiek izmantots) un izplūdes filtru.

Pārbaude

Pēc tīrīšanas pārbaudiet visas daļas. Bojātās un nolietotās daļas vajadzētu nomainīt.

Eļļošana

Īpaši ieeļļojiet pārvadus, vārstu un sajūgu ar molibdēna disulfīdu saturošu ziedi (piem., Molykote BR2 Plus). Lūdzam skatīt ierīces rasējumus mērogā un attēlus sadaļā "Ekspluatācijas norādījumi".

Norādījumi par smērvielām uzgriežņgriežiem

Zīmols	Gultņi (universāla lietojuma)	Brīvgaitas mehānisms (zobratu loki un zobratī)	Brīvgaitas ritenis
BP	Energrease LS-EP2		Energrease LS-EP2
Castrol	Sphereol EP L2		
Esso	Beacon EP2		Beacon EP2
Q8	Rembrandt EP2		Rembrandt EP2
Mobil	Mobilegrease XHP 222		
Shell	Alvania EP2		Alvania EP2
Texaco	Multifak EP2		
Molykote			
Lubricating		Suntemp LE 9102	
STP		Oil treatment	

Zīmols	Pārvadi	Gaisa eļļošana
Bp		Energol E46
Castro		
Esso		AroxEP46
Q8		Chopin 46
Mobil		Almo oil 525
Shell		Torcula 32
Texaco		Aries 32
Molykote	BR2 Plus	

Drošības norādījumi

Brīdinājums

Pirms ierīces izmantošanas pārliecinieties, ka esat iepazinies ar ekspluatācijas norādījumiem.

Ierīci un jebkādas tās papildu daļas vai piederumus nedrīkst izmantot citiem nolūkiem, izņemot šeit paredzēto.

Vienmēr jāievēro visi vietējie likumdošanas nosacījumi par ierīču uzstādīšanu, ekspluatāciju un apkopi.

Uzticiet ierīces uzstādīšanu un ekspluatāciju tikai kvalificētam personālam.

Pirms jebkādas noregulēšanas (piem., uznavu maiņas) atvienojiet ierīci no saspīestā gaisa cauruļvada.

Pārbaudiet rotācijas virzienu pirms ierīces izmantošanas.

Tiem, kas izmanto uzgriežņgriežus ar griezes momenta reaktīvo kātu, vajadzētu būt īpaši uzmanīgiem, lai izvairītos no spiešanas radītiem ievainojumiem. Drošības nolūkā nekad neļaujiet nevienam izmantot ierīci, ja attiecīgā persona nav apmācīta un pilnībā nepārzina ierīces darbību dažādos apstākļos. Skatiet sadaļu "Reaktīvais kāts".


Ierīci var izmantot tikai kopā ar attiecīgo griezes momenta reaktīvo kātu, kas ir pielāgots konkrēto skrūves veida savienojumu izmantošanai. Skatiet arī norādījumus sadaļā "Reaktīvais kāts".

Nekad nelieciet rokas uz reaktīvā kāta vai tā tuvumā ierīces izmantošanas laikā.

Pārbaudiet, vai strāvas padeves rozete ir cieši nostiprināta. Nomainiet fiksējošo vai bloķējošo tapu, kad tas nepieciešams. Nomainiet arī jebkuru nolietoto uznavu.

Parūpējieties, lai rotējošās uznavas tuvumā neatrodas kāda rokas, gari mati vai kādi citi priekšmeti.

Izmantojot piekares skavu, pārbaudiet, vai tā ir labā stāvoklī un pareizi nostiprināta.

Part no	8940166747	
Issue no	1	
Series no	1	
Date	2010-01	
Page	130	

CP Guarantee

- 1) This CP product is guaranteed against defective workmanship or materials, for a maximum period of 12 months following the date of purchase from CP or its agents, provided that its usage is limited to single shift operation throughout that period. If the usage rate exceeds that of single shift operation, the guarantee period shall be reduced on a pro rata basis.
- 2) If, during the guarantee period, the product appears to be defective in workmanship or materials, it should be returned to CP or its agents, together with a short description of the alleged defect. CP shall, at its sole discretion, arrange to repair or replace free of charge such items as are deemed faulty by reason of defective workmanship or materials.
- 3) This guarantee ceases to apply to products which have been abused, misused or modified, or which have been repaired using other than genuine CP spare parts or by someone other than CP or its authorized service agents.
- 4) Should CP incur any expense correcting a defect resulting from abuse, misuse, accidental damage or unauthorized modification, they will require that such expense shall be defrayed in full.
- 5) CP accepts no claim for labour or other expenditure made upon defective products.
- 6) Any direct, incidental or consequential damages whatsoever arising from any defect are expressly excluded.
- 7) This guarantee is given in lieu of all other guarantees, or conditions, expressed or implied, as to the quality, merchantability or fitness for any particular purpose.
- 8) No one, whether an agent, servant or employee of CP, is authorized to add to or modify the terms of this limited guarantee in any way.

PODRĘCZNIK UŻYTKOWANIA

Niniejszy produkt jest przeznaczony do instalowania i demontażu gwintowanych elementów mocujących wykonanych z drewna, metalu i tworzywa sztucznego. Użytkowanie w innym celu jest niedozwolone. Tylko do stosowania profesjonalnego.

Charakterystyka ogólna

Moment obrotowy	300-900 Nm
Obroty w stanie nieobciążonym	100 obr/min (suwów/min)
Ciśnienie robocze	3-7 bar
Zużycie powietrza	19 litrów/sek (40 CFM I(stopy sześciennie na minę))
Ciężar:	
CP7600 C	6.8 kg
CP7600 C-R	7.4 kg
CP7600 C-4P	7.1 kg
CP7600 C-R4P	7.7 kg

Hałas i emisja drgań

Poziom hałasu według PN8NTC	dB(A)
Zmierzony poziom ciśnienia akustycznego	79
Określony poziom mocy hałasu	
Rozrzut metody i produkcji	3

Poziom drgań według normy ISO 8662-7	m/s ²
Zmierzona wartość drgań	<2.5
Rozrzut metody i produkcji	

Deklarowany poziom hałasu i emisji wibracji

Pomiaru tych wartości dokonuje odpowiednie laboratorium, zgodnie z obowiązującymi normami. Jednakże w żadnym przypadku dane te nie mogą być stosowane do określania stopnia ryzyka. Wartości poziomów pomierzone podczas wykonywanej pracy mogą być wyższe od wartości deklarowanych. Rzeczywiste poziomy emisji wibracji, na które narażony jest operator jak i ewentualne szkody fizyczne, są czymś indywidualnym. Wynikają ze sposobu pracy operatora, zależą też od rodzaju elementu na którym pracuje i od kształtu tego elementu, od czasu ekspozycji operatora na wibrację oraz od warunków fizycznych samego operatora.

Firma CP nie może ponosić odpowiedzialności za szkody wynikające z wyższych wartości poziomów hałasu i wibracji niż poziomy zadeklarowane. Wynika to z tego, że firma nie ma żadnej możliwości kontroli nad sposobem użytkowania przyrządów.



Part no	8940166747
Issue no	1
Series no	1
Date	2010-01
Page	132



Copyright

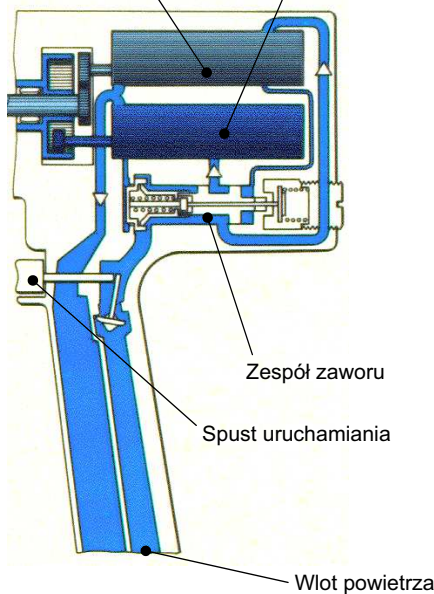
© Copyright 2008, CP. Wszelkie prawa zastrzeżone. Wszelkie bezprawne użycie lub kopiowanie całości lub części jest zabronione. Odnosi się to w szczególności do marek zastrzeżonych, nazw modeli, numerów części i schematów. Używać tylko części dozwolonych. Fabrykant nie ponosi odpowiedzialności za wszelkie szkody lub złe funkcjonowanie spowodowane użyciem niedozwolonej części.

Zasada

W urządzeniach typu CP7600, zawór spełnia dwie kluczowe funkcje:

zasilania powietrzem silników pneumatycznych i odcinania dopływu sprężonego powietrza do narzędzia.

Zatrzymanie silnika Dokręcenie silnika



Wybieg

Po pociągnięciu za spust, powietrze przepływa przez zespół zaworu, kierując powietrze przez silnik wybiegu, który obraca się. Ten silnik napędza przekładnię o niskim stopniu przełożenia i niskim momencie obrotowym.

Wyłącznik silnika

Gdy obciążenie urządzenia CP7600 wzrośnie, silnik wolnego wybiegu zwalnia obroty, co powoduje zwiększenie ciśnienia powietrza zasilającego silnik napędowy. W tych warunkach wyższego ciśnienia, zawór zostaje przełączony do innego położenia.

Dokręcanie

Następnie powietrze jest kierowane przez silnik pneumatyczny napędzający proces dokręcania. Ten silnik napędza przekładnię o wysokim stopniu przełożenia, generując niskie obroty o dużym momencie obrotowym.

Odcinanie dopływu powietrza

Gdy moment obrotowy obciążenia wzrasta, silnik napędzający proces dokręcania zwalnia, co prowadzi do zwiększenia ciśnienia powietrza na wlocie do silnika. Gdy ciśnienie powietrza przekroczy ciśnienie nastawienia na sprężynie, tłok w zaworze zostaje wypchnięty, odcinając całkowicie dopływ powietrza.

Ustawianie odcinania dopływu powietrza

Napięcie (nacisk) sprężyny reguluje się podczas kalibracji narzędzia. Określone ciśnienie powietrza (zwykle 6,3 bar/90 psi) powoduje ustalenie odpowiedniego momentu obrotowego.

UWAGA



Zmiana ciśnienia powietrza będzie miała wpływ na proces odcinania dopływu powietrza. Jeśli ciśnienie powietrza będzie wyższe niż ciśnienie nastawione podczas kalibracji, odcięcie dopływu nastąpi wcześniej a moment obrotowy będzie niższy niż oczekiwany. Dla uzyskania prawidłowego momentu obrotowego, jest bardzo ważne, aby wkrętarka CP7600 pracowała przy ciśnieniu podanym w certyfikacie kalibracji.

Montaż

Jakość powietrza

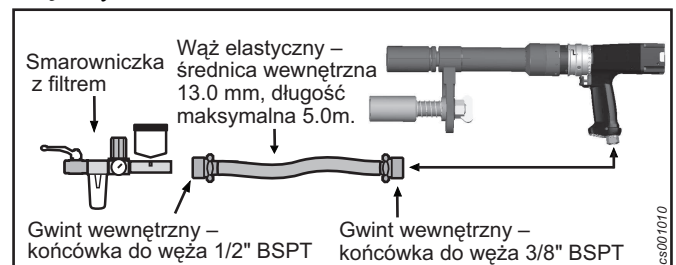
- W celu uzyskania optymalnej wydajności i maksymalnej żywotności urządzenia zaleca się stosowanie sprężonego powietrza o punkcie rosy w granicach +2°C do +10°C. Montaż osuszacza typu chłodniczego jest zalecany.
- Do usuwania cząstek stałych większych niż 30 mikronów i odwadniania powietrza o wilgotności względnej większej niż 90 %, który powinien być zamontowany możliwie blisko urządzenia i przed jakimkolwiek urządzeniem przygotowania powietrza, należy stosować oddzielny filtr powietrza. Przed podłączeniem przewodów powietrza należy je przedmuchać.
- Sprężone powietrze musi zawierać niewielką ilość oleju. Usilnie zaleca się zainstalowanie smarowniczkii wytwarzającej mgłę olejową z ustawieniem 3 do 4 kropli (50mm³)/m³ na 1 m³ zużywanego powietrza w przypadku długich cykli pracy narzędzia lub pojedynczego punktu smarowania w przypadku krótkich cykli pracy narzędzia.
- Jeśli chodzi o narzędzia nie wymagające smarowania, mała ilość oleju aplikowana przez smarowniczkę nie wpływa niekorzystnie na pracę urządzenia. Wyjątek stanowią narzędzia z napędem turbinowym, gdzie powietrze nie może zawierać oleju. (patrz akcesoria na przewodach sprężonego powietrza w naszym głównym katalogu).

Przewody sprężonego powietrza

- Urządzenie jest przeznaczone do pracy przy ciśnieniu roboczym (e) 3–7 bar = 300–700 Kpa = 87–102 psi.
- Przed podłączeniem przewodów powietrza należy je przedmuchać.

Zalecany sposób montażu

Aby zapewnić poprawną wydajność urządzenia, usilnie zaleca się przestrzegać zaproponowane zasady montażu przyłączy sprężonego powietrza od punktu poboru z sieci do narzędzia, które podano w załączonym formularzu.



Obsługa

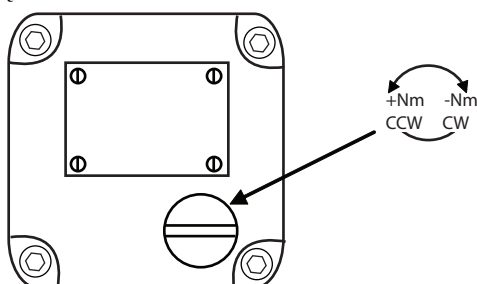
Ustawianie momentu dokręcania

W celu zapewnienia bezpieczeństwa i osiągnięcia poprawnej pracy urządzenia trzeba poprawnie ustawić moment obrotowy wkrętarki dla danego złącza śrubowego. Sprawdzić wielkość momentu obrotowego, jaka jest potrzebna dla danego złącza.

Ciśnienie powietrza wychodzącego z smarowniczką z filtrem jest ustawione zgodnie z certyfikatem kalibracji przy wolnych obrotach (spust uruchomienia w pełni otwarty przez kilka sekund przy braku obciążenia) zazwyczaj przy ciśnieniu 6,0 - 6,3 bar.

Pojedynczy wybierak momentu obrotowego

Ustawić moment obrotowy przy pomocy specjalnego klucza. Przy pokręcaniu śruby w kierunku przeciwnym do ruchu wskazówek zegara, moment obrotowy wzrasta. Po wykonaniu regulacji, sprawdzić wielkość momentu obrotowego, jaka jest potrzebna dla danego złącza.

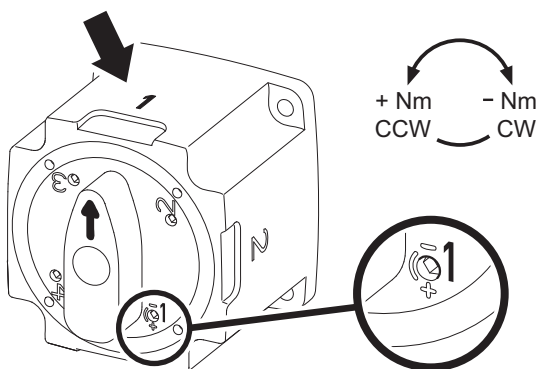


c000850

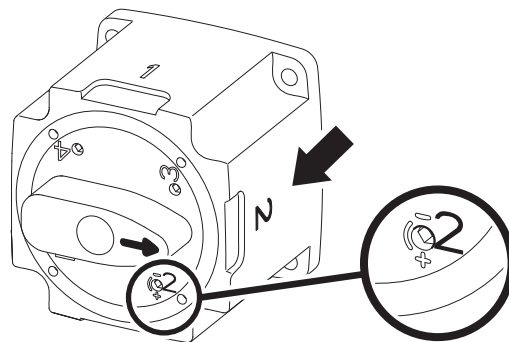
- ⓘ Jeśli odcięcie dopływu powietrza przeprowadza się przy pełnych obrotach urządzenia, co może spowodować zarzucanie od momentu obrotowego, zaleca się zmniejszenie ciśnienia powietrza.

Wybierak 4-położeniowy

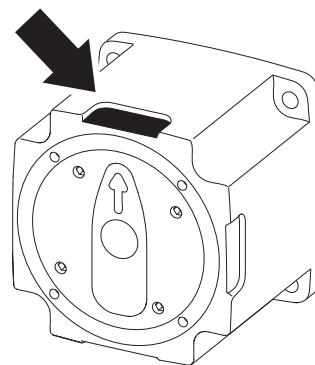
Aby ustawić moment obrotowy 1, należy obrócić przełącznik obrotowy i ustawiając go według znaku odniesienia znajdującego się na obudowie. Ustawić śrubę regulacyjną 1. Sprawdzić oznaczenie na przełączniku, aby zobaczyć, w jaki sposób zwiększa się lub zmniejsza moment obrotowy. Aby ustawić moment obrotowy 2, należy obrócić przełącznik obrotowy i ustawić go według znaku odniesienia znajdującego się na obudowie. Ustawić śrubę regulacyjną 2.



cs000800



cs001040

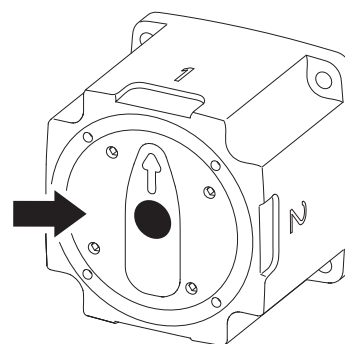


cs001050

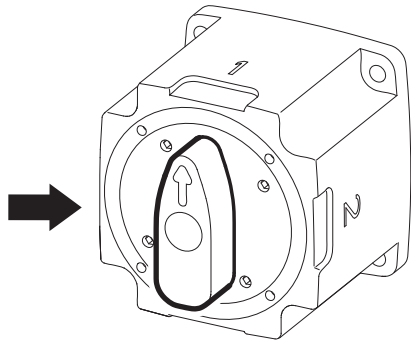
Należy pamiętać o swoich ustawieniach momentu obrotowego, zaznaczając je w czterech miejscach na obudowie.

Instrukcje dotyczące obsługi Wybór momentu dokręcania

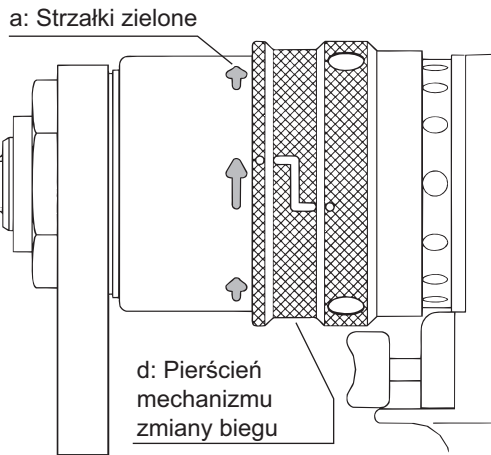
Wcisnąć czarny przycisk. Obrócić przełącznik obrotowy w wymagane położenie. Wcisnąć przełącznik obrotowy, aby powrócił do poprzedniego położenia.



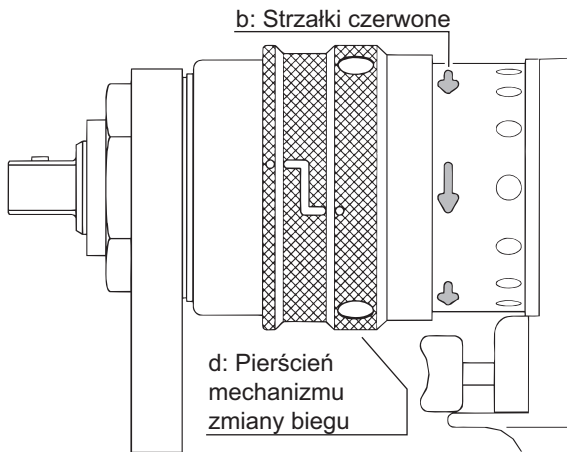
cs000810



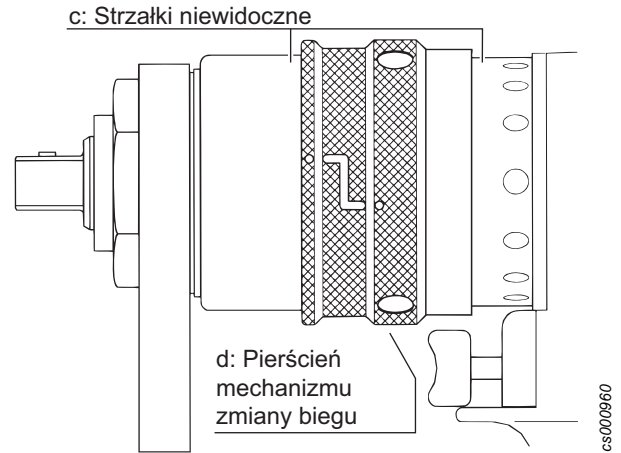
Ustawić pierścień mechanizmu biegów - położenie mechanizmu zgodnie z ruchem wskazówek zegara



Ustawić pierścień mechanizmu biegu - położenie mechanizmu odpowiadające obrotom przeciwnym do ruchu wskazówek zegara



Ustawić pierścień mechanizmu biegu - położenie środkowe zębátky



Instrukcje dotyczące pracy przy obrotach przeciwnych

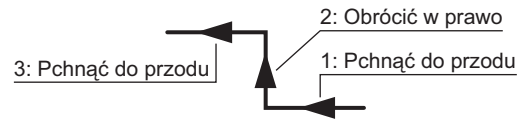
Jeśli nie ma automatycznego powrotu w mechanizmie zmiany biegów do położenia stałego, przed uruchomieniem należy zawsze sprawdzić, obserwując dobrze widoczne strzałki, czy mechanizm zmiany biegu znajduje się w położeniu odpowiadającym obrotom zgodnie z ruchem wskazówek zegara, czy też w położeniu wskazującym na obroty przeciwnie.

UWAGA



Nigdy nie należy przesuwać zębátky w czasie pracy urządzenia.
 Nigdy nie wolno uruchamiać urządzenia, gdy mechanizm zmiany biegu znajduje się w położeniu środkowym.

Chwycić ręką pierścień mechanizmu zmiany biegów i przesunąć go do przodu - w prawo - do przodu, patrz rys. poniżej.



Czerwona strzałka wskazuje kierunek obrotów tj. urządzenie będzie pracować przy obrotach przeciwnych do ruchu wskazówek zegara.

Po zmianie z powrotem do obrotów zgodnych z ruchem wskazówek zegara, należy pociągnąć pierścień do tyłu - w lewo - do tyłu, patrz rys. poniżej.



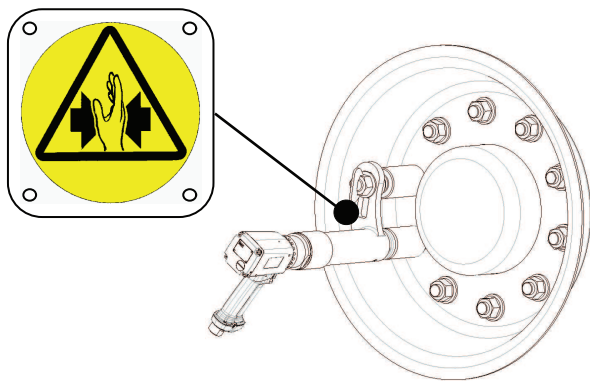
Czerwona strzałka wskazuje kierunek obrotów tj. urządzenie będzie pracować przy obrotach przeciwnych do ruchu wskazówek zegara. Nie trzeba, obu położeniach, przytrzymywać ręką pierścienia.

Przedłużone ramię reakcyjne z rurą nastawczą dociskaną przy pomocy sprężyny

Ustawić odległość od osi do osi między nasadką i rurą dociskaną sprężyną poprzez dokręcanie lub odkręcanie nakrętek.

Sprawdzić, czy rura dociskana sprężyną jest dostatecznie przymocowana do ramienia reakcyjnego.

Przed uruchomieniem urządzenia ustawić drążek reakcyjny w żądanym położeniu.
Ramię reakcyjne musi bezwzględnie obracać się dookoła piasty.



cs001020

Konserwacja

Uzyskanie maksymalnej wydajności

Ważne jest regularne smarowanie w celu osiągnięcia maksymalnej wydajności i zapewnienie bezproblemowej pracy urządzenia. Silnik należy smarować olejem tj. olej można wprowadzić albo do sprężonego powietrza lub bezpośrednio do wlotu powietrza.

Spust uruchomienia, zębátky planetarne, łożyska igiełkowe i łożyska kulkowe należy pokrywać smarem podczas okresowych remontów urządzenia.

Koła zębate kątowe i sprzęgło trzeba smarować smarem zawierającym dwusiarczek molibdenu: np. Molykote BR2 Plus lub równoważnej marki. Należy stosować produkty smarne dobrej jakości.

Oleje i smary podane przykładowo w tabeli, są zalecanymi produktami smarnymi.

Zabezpieczenie antykorozyjne i czyszczenie wewnętrzne

Woda zawarta w powietrzu, kurz i cząstki stałe mogą spowodować korozję i zakleszczanie łopatek, zaworów itd. Filtr powietrza powinien być zainstalowany blisko urządzenia (patrz rozdział "Jakość powietrza").

Instrukcje wykonywania prac serwisowych

Zaleca się wykonywanie remontów i konserwacji prewencyjnej w regularnych odstępach czasu, raz do roku lub po wykonaniu maksymalnie 250 000 dokręceń, w zależności od tego, co zdarzy się wcześniej. W przypadku stosowania dużych momentów obrotowych i długich okresów dokręcania może zaistnieć potrzeba częstszego wykonywania remontów. Jeśli urządzenie nie pracuje prawidłowo, należy je natychmiast przekazać do kontroli.

Filtr na wlocie powietrza i tłumik hałasu należy często czyścić lub wymieniać, aby zapobiec dławieniu, które zmniejsza wydajność.

Podczas remontu wszystkie części powinny być dokładnie oczyszczone a części uszkodzone lub zużyte (tj. pierścienie-oring, łopatki) wymienione.

Demontaż / montaż

Ważne jest, aby gwintowane przyłącza urządzenia były prawidłowo dokręcone tj., zgodnie z specyfikacjami podanymi na widokach rozstrzelonych (rozłożonych).

- Przed rozpoczęciem montażu należy pokryć smarem pierścienie o-ring oraz złączki gwintowane.

Czyszczenie

Oczyszczyć gruntownie wszystkie części białym spirytusem lub podobnym środkiem czyszczącym.

Aby zabezpieczyć przewody przed zatykaniem i obniżeniem mocy, trzeba czyścić filtr siatkowy (jeśli jest stosowany) i filtr wyciągowy w okresach między remontowych.

Inspekcja

Po oczyszczeniu skontrolować wszystkie części. Części uszkodzone i zużyte należy wymienić.

Smarowanie

Pokryć ze szczególną troską koła zębate, zawory i sprzęgło smarem (np. Molykote BR2 Plus). Proszę obejrzeć widoki rozstrzelone (rozłożone) i rysunki zawarte w instrukcjach prac serwisowych.

Wytyczne dotyczące smarowania wkrętarek

Marka	Łożyska (za-stosowanie ogólne)	Mechanizm wolnego biegu (wieniec zębátky i koła zębátky)	Mechanizm wolnego biegu
BP	Energrease LS-EP2		Energrease LS-EP2
Castrol	Spheerol EP L2		
Esso	Beacon EP2		Beacon EP2
Q8	Rembrandt EP2		Rembrandt EP2
Mobil	Mobilegrease XHP 222		
Shell	Alvania EP2		Alvania EP2
Texaco	Multifak EP2		
Molycote			
Lubricating		Suntemp LE 9102	
STP		Oil treatment	

Marka	Zębátky	Smarowania powietrza
Bp		Energol E46
Castro		
Esso		AroxEP46
Q8		Chopin 46
Mobil		Almo oil 525
Shell		Torcula 32
Texaco		Aries 32
Molycote	BR2 Plus	

Part no	8940166747
Issue no	1
Series no	1
Date	2010-01
Page	136



Instrukcje dotyczące bezpieczeństwa

Ostrzeżenie

Przed rozpoczęciem użytkowania urządzenia należy zapoznać się z instrukcjami obsługi.

Urządzenie wraz z podłączonymi elementami i akcesoriami nigdy nie może być używane niezgodnie z jego przeznaczeniem.

Przez cały czas należy przestrzegać lokalnych przepisów bezpieczeństwa dotyczących montażu, obsługi i konserwacji.

Prace montażowe i serwisowe mogą być wykonywane jedynie przez wykwalifikowany personel.

Przed rozpoczęciem jakichkolwiek ustawień (np. zmiana gniazd) należy odłączyć urządzenie od przewodów sprężonego powietrza.

Sprawdzać kierunek obrotów przed każdym rozpoczęciem użytkowania urządzenia.

Operatorzy wkrętarek wyposażonych w ramię reakcyjne powinni zwracać szczególną uwagę na zabezpieczenie się przed uszkodzeniem ciała wskutek zgniecenia. Dla bezpieczeństwa – nigdy nie wolno zezwalać komukolwiek na obsługę urządzenia, o ile nie jest przeszkolony i nie zapoznał się gruntownie z zasadami działania urządzenia w różnych okolicznościach. Patrz rozdział zatytułowany “Drażek reakcyjny”.

Urządzenie może być użytkowane razem z odpowiednim drażkiem reakcyjnym momentu obrotowego tylko wówczas, gdy jest przystosowane do danego złącza śrubowego. Patrz również instrukcje podane w tytule “Drażek reakcyjny”.

Nigdy nie wolno kłaść rąk na drażek reakcyjny, ani trzymać ręce blisko drażka podczas użytkowania urządzenia.

Sprawdzić czy nasadka napędowa jest prawidłowo zamocowana. Wymienić, w razie potrzeby, kołek ustalający lub zabezpieczający. Wymienić również zużytą nasadkę.

Utrzymuj ręce, długie włosy lub inne przedmioty z daleka od wirującej nasadki.

W przypadku stosowania jarzma do podwieszania, należy sprawdzić, czy znajduje się w dobrym stanie i jest poprawnie zamocowane.



GWARANCJA FIRMY CP

- 1) Niniejszy produkt firmy CP jest objęty gwarancją z tytułu wadliwego wykonania lub wad materiałowych przez okres maksymalnie 12 miesięcy od daty zakupu od firmy CP lub jej przedstawicieli, pod warunkiem, że jego użytkowanie jest ograniczone w tym okresie do pracy jednozmianowej. Jeżeli intensywność użytkowania wykracza ponad pracę jednozmianową, okres gwarancji zostanie proporcjonalnie skrócony.
- 2) Jeżeli w okresie gwarancyjnym produkt wykazuje prawdopodobne wady produkcyjne lub materiałowe, powinien zostać zwrócony do firmy CP lub jej przedstawicieli wraz z krótkim opisem domniemanej wady. Firma CP zapewni, według swojego uznania, nieodpłatną naprawę lub wymianę elementów, które zostaną uznane za wadliwe z powodu wad w wykonawstwie lub wad materiałowych.
- 3) Niniejsza gwarancja nie ma zastosowania do produktów, które były używane nadmiernie lub niezgodnie z przeznaczeniem lub zostały zmodyfikowane, lub które zostały naprawione za pomocą części zamiennych innych niż oryginalne części firmy CP lub naprawione przez kogoś innego niż firma CP lub jej autoryzowane punkty serwisowe.
- 4) Jeżeli firma CP poniesie jakiegokolwiek koszty naprawiając wadę wynikłą z nadmiernego lub niewłaściwego użytkowania, uszkodzeń przypadkowych lub nieautoryzowanych modyfikacji, firma będzie wymagać pokrycia takich kosztów w pełnej kwocie.
- 5) Firma CP nie uznaje roszczeń z tytułu kosztów robocizny lub innych wydatków poniesionych w związku z wadliwymi produktami.
- 6) Wszelkie bezpośrednie, uboczne lub wtórne szkody wynikłe z jakichkolwiek wad są wyraźnie wykluczone z gwarancji.
- 7) Niniejsza gwarancja udzielana jest w miejsce wszelkich innych gwarancji lub warunków, wyraźnych lub domniemanych, dotyczących jakości, przydatności handlowej lub przydatności do jakiegokolwiek innego konkretnego celu.
- 8) Żaden przedstawiciel, firma podległa lub pracownik firmy CP, ani jakakolwiek inna osoba nie jest upoważniona do jakiegokolwiek.

Part no	8940166747
Issue no	1
Series no	1
Date	2010-01
Page	138



NÁVOD NA POUŽITIE

Tento výrobok je určený k montáži a demontáži skrutkových spojov do dreva, kovu a plastov. Žiadne iné použitie nie je dovolené. Výrobok je určený len pre profesionálne využitie.

Hlavné charakteristiky

Krútiaci moment	300-900 Nm
Maximálna rýchlosť	100 ot/min
Pracovný tlak	3-7 bar
Spotreba vzduchu	19 l/s (40CFM)
Hmotnosť:	
CP7600 C	6.8 kg
CP7600 C-R	7.4 kg
CP7600 C-4P	7.1 kg
CP7600 C-R4P	7.7 kg

Hladina hluku a vibrácií

Hladina hluku podľa PN8NTC	dB(A)
Meraná hladina akustického tlaku	79
Určená hladina akustického výkonu	
Rozdelenie podľa metódy a produkcie	3

Vibrácie podľa ISO 8662 – 7	m/s ²
Nameraná hodnota vibrácií	<2.5
Rozdelenie podľa metódy a produkcie	

Deklarácia o emisiách hluku a vibrácií

Tieto uvedené hodnoty boli získané v podmienkach laboratórneho testovania, ktoré je v súlade s uvedenými normami a neodporúča sa ich využitie v rizikovom prostredí. Hodnoty namerané na jednotlivých pracoviskách môžu byť vyššie, než sú uvedené hodnoty. Skutočné hodnoty expozície a riziko poranenia sú u každého užívateľa individuálne a závisia od spôsobu práce, opracovávanej súčiastky, od pracoviska, ako aj od času expozície a fyzickej kondície užívateľa.

Spoločnosť CP, preto nemôže niest' zodpovednosť za využívanie uvedených hodnôt namiesto tých, ktoré vyjadrujú skutočnú expozíciu pri individuálnom zhodnotení rizika na pracovisku, pretože na tieto nemá žiaden vplyv.

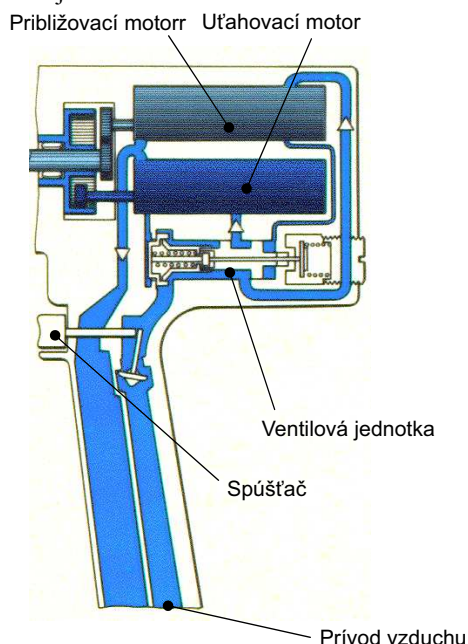
Copyright

© Copyright 2008, CP. Všetky práva vyhradené. Neoprávnené použitie alebo kopírovanie obsahu alebo jeho častí je zakázané. To sa týka najmä výrobných značiek, modelových denominácií, čísel súčiastok a výkresov. Používajte iba autorizované súčiastky. Poškodenie alebo nesprávne fungovanie spôsobené použitím neautorizovaných súčiastok nie je kryté v Záruke alebo v Záručnom liste výrobcu.

Princíp

Vo vnútri CP7600 nájdete ventilovú jednotku, ktorá plní dve základné funkcie:

– dodáva vzduch pre dva pneumatické motory a uzatvára prívod vzduchu do nástroja.



cs000870

Približovanie

Po stlačení spúšťača prúdi stlačený vzduch cez ventilovú jednotku a napája približovací motor, ktorý sa otáča. Tento motor poháňa prevod s nízkym prevodovým pomerom, a tým generuje vysokú rýchlosť otáčania a nízky krútiaci moment.

Prepnutie motorov

V okamihu, keď dôjde k zvýšeniu krútiaceho momentu na hriadieli CP7600, dôjde ku zníženiu otáčok približovacieho motora, čo má za následok zvýšenie tlaku v tomto motore. Pôsobením tohto vyššieho tlaku mení ventilová jednotka polohu.

Uťahovanie

Vzduch je po prestavení ventilovej jednotky dodávaný do uťahovacieho motora. Tento motor poháňa prevod na väčšom prevodovom stupni, a tým generuje nízke otáčky a vysoký krútiaci moment.

Vypnutie

Počas zvyšovania sa krútiaceho momentu pri skrútkovaní dochádza k znižovaniu rýchlosti otáčok uťahovacieho motora a ku zvýšeniu pracovného tlaku. Keď tento tlak prekročí tlak nastavený na pružine, dôjde k prestaveniu piesta vo ventilovej jednotke a k odpojeniu dodávky vzduchu.

Nastavenie vypnutia

Tlak pružiny je nastavený pri kalibrácii nástroja. Špecifický tlak vzduchu (zvyčajne 6.3 bar/90psi) zodpovedá určitému krútiacemu momentu.

VÝSTRAHA



Zmena nastavenia tlaku vzduchu bude mať za následok zmenu vo vypnutí. Pokiaľ je pracovný tlak vyšší ako tlak vzduchu pri kalibrácii, prebehne vypnutie skôr a krútiaci moment bude nižší ako očakávaný. Je veľmi dôležité používať CP7600 pri tlaku uvedenom v kalibračnom certifikáte, aby bol dosiahnutý požadovaný krútiaci moment.

Installation

Kvalita vzduchu

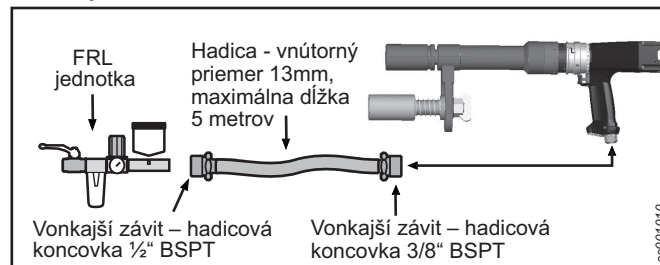
- Pre dosiahnutie optimálneho výkonu a maximálnej životnosti nástroja sa odporúča používať stlačený vzduch pri vlhkosti od +2°C do +10°C. Ďalej sa odporúča inštalácia chladiča a vysúšača vzduchu.
- Používajte samostatný vzduchový filter na odstránenie pevných častíc väčších ako 30 mikróv a viac ako 90% vody. Filter by mal byť inštalovaný čo najbližšie k nástroju a pred prípadnou jednotkou pre úpravu vzduchu. Pred pripojením prefúkните hadicu.
- Stlačený vzduch musí obsahovať malé množstvo oleja. Odporúča sa inštalácia lubrikačného zariadenia na olejovú hmlu, ktoré má byť nastavené na 3-4 kvapky (50 mm³) pre nástroje s dlhým pracovným cyklom, alebo jednoduchý lubrikátor pre krátke pracovné cykly.
- Pri použití nástrojov, ktoré nevyžadujú lubrikáciu nie je na škodu, keď dodávaný pracovný vzduch obsahuje malé množstvo oleja z lubrikátora. Výnimkou sú turbínové nástroje, ktoré nemôžu obsahovať olej. (viď Air Line Príslušenstvo v našom katalógu).

Pripojenie stlačeného vzduchu

- Tento nástroj je skonštruovaný pre pracovný tlak 3-7 barov = 300-700 kPa = 87-102 psi.
- Pred pripojením prefúkните hadicu.

Odporúčaná inštalácia

Pre správne nastavenie výkonu nástroja odporúčame striktne dodržiavať nižšie uvedený postup pre pripojenie prívodu vzduchu k nástroju.



cs001010

Manipulácia

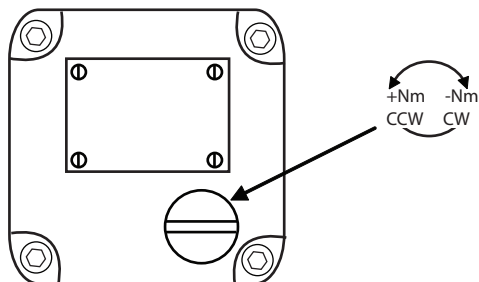
Nastavenie krútiaceho momentu

Pre presnú činnosť a bezpečnosť musí byť krútiaci moment uťahovávka matic nastavený v pomere k skrutkovému spojeniu. Skontrolujte krútiaci moment skrutkového spojenia.

Tlak vzduchu dodávaný FRL jednotkou je nastavený podľa tlaku uvedeného v kalibračnom certifikáte pri voľnobežných otáčkach (spúšť úplne stlačená a uťahovák matic ide na prázdno bez záťaže niekoľko sekúnd) zvyčajne 6.0 - 6.3 bar.

Jednočinný prepínač krútiaceho momentu

Nastavte krútiaci moment pomocou nastavovacieho kľúča. Krútiaci moment sa zväčšuje pri skrutkovaní v protismere hodinových ručičiek. Po nastavení skontrolujte krútiaci moment pre dané skrutkové spojenie.

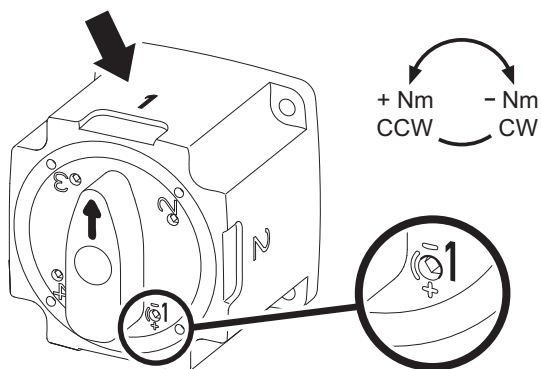


cs000850

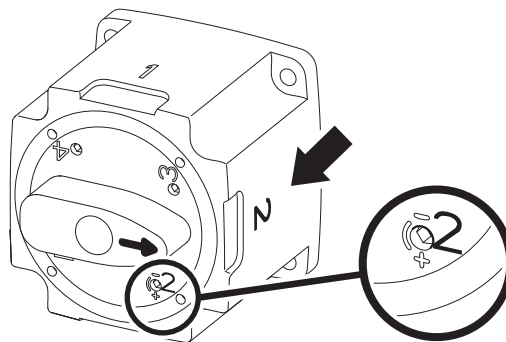
i V prípade vypnutia pri vysokých otáčkach, keď dôjde k veľkému rozptylu krútiaceho momentu, sa odporúča znížiť tlak vzduchu.

4-polohový prepínač

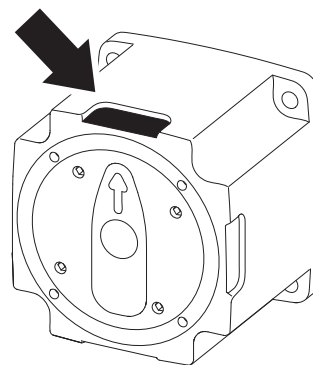
Pre nastavenie momentu 1 otočte spínačom smerom k značke na tele nástroja. Nastavte nastavovaciu skrutku 1. Značka na spínači indikuje ako zvýšiť/znížiť krútiaci moment. Pre nastavenie momentu 2 otočte spínačom smerom k značke 2 na tele nástroja. Nastavte nastavovaciu skrutku 2.



cs000800



cs001040

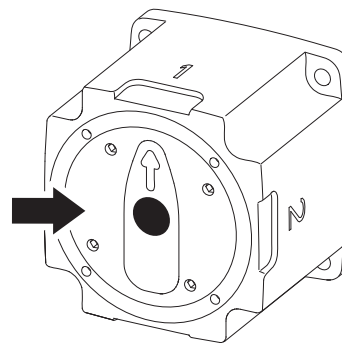


cs001050

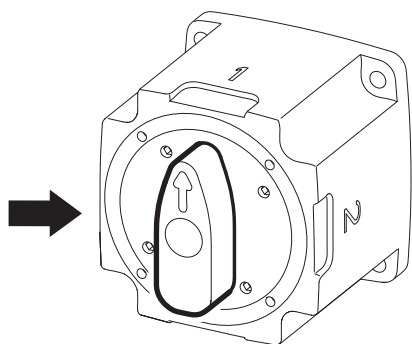
Vaše vlastné nastavenie si lepšie zapamätáte umiestnením vlastných značiek v štyroch oblastiach telesa nástroja.

Inštrukcie pre užívateľov Výber krútiaceho momentu

Stlačte čierne tlačidlo. Otočte otočný prepínač do požadovanej polohy. Stlačte otočný prepínač späť.

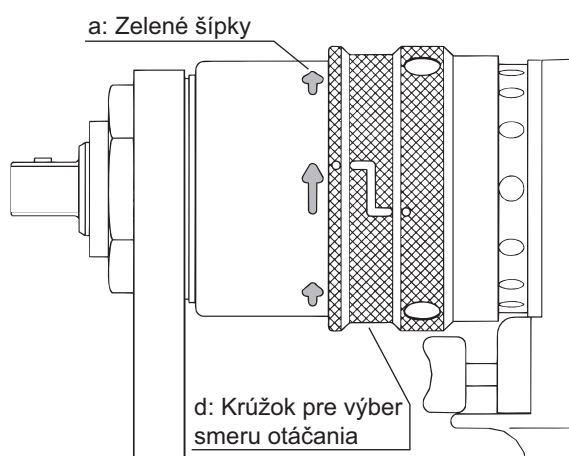


cs000810



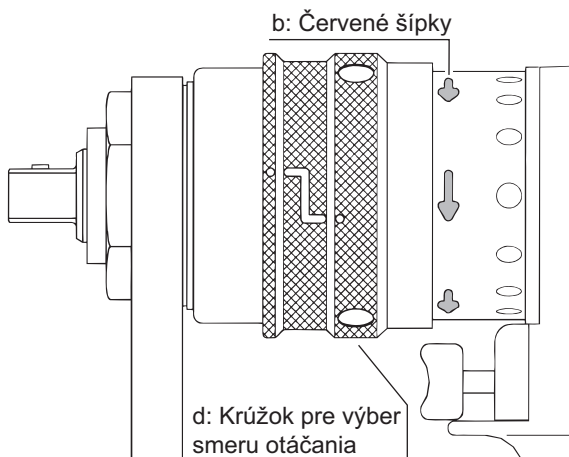
cs001060

Pozícia krúžku pre výber smeru otáčania – v smere hodinových ručičiek



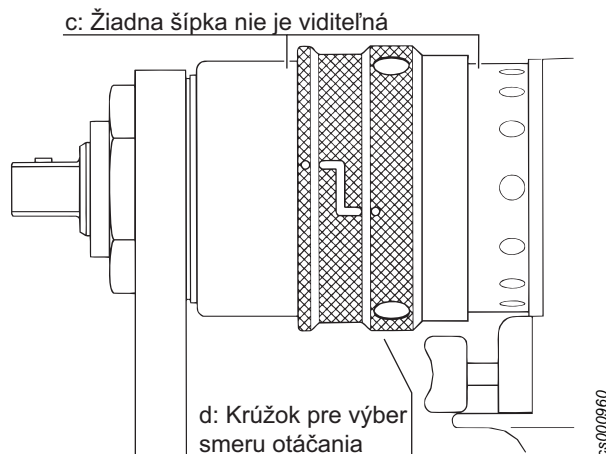
cs000940

Pozícia krúžku pre výber smeru otáčania – proti smeru hodinových ručičiek



cs000950

Pozícia krúžku pre výber smeru otáčania – neutrálna poloha



cs000960

Pokyny pre zmenu smeru otáčania

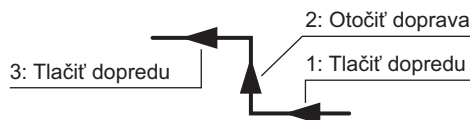
Nástroj nemá automatický návrat do pôvodnej polohy, preto vždy pred začatím prác skontrolujte, že je správne navolený smer otáčania (v smere, alebo v proti smere hodinových ručičiek) a šípky sú jasne viditeľné.

VÝSTRAHA



Nikdy nemeňte smer otáčania pokiaľ je nástroj spustený.
Nikdy neuvádzajte nástroj do chodu pokiaľ je selektor smeru otáčania v neutrálnej polohe.

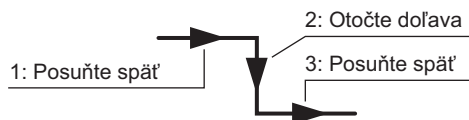
Rukou pevne stisnite krúžok pre voľbu rýchlosti a pohybujte ním smerom dopredu – doprava – dopredu, podľa obrázka nižšie.



cs000970

Červené šípky indikujú smer otáčania. Napr. Nástroj sa po zapnutí bude otáčať v protismere hodinových ručičiek.

Pri zmene na smer otáčania v smere hodinových ručičiek, zatlačte krúžok dozadu – doľava – dozadu, podľa obrázka nižšie.



cs000980

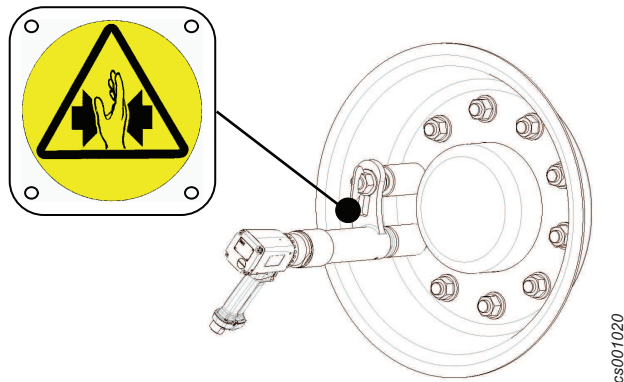
Zelené šípky indikujú smer otáčania, napr. Nástroj sa po zapnutí bude otáčať v smere hodinových ručičiek. Ani v jednom prípade nie je nutné pridržovať krúžok v danej pozícii.

Predĺžené rameno s polohovacou trubicou a predpätou pružinou

Nastavte vzdialenosť od stredu do stredu medzi trubicou a podložkou, podľa typu matic, na utiahnutie/povolenie. Skontrolujte či je trubica s predpätou pružinou pevne uchytená pozdĺž reakčného ramena. Nainštalujte tyč pre zachytenie reakcií do požadovanej polohy pred zapnutím nástroja. Reakčné rameno sa musí otáčať okolo náboja.

Part no 8940166747
Issue no 1
Series no 1
Date 2010-01
Page 142

SK



Údržba

Pre maximálny výkon

Pre dosiahnutie maximálneho výkonu a bezproblémového chodu nástroja je nevyhnutné nástroj pravidelne mazať.

Motor by mal byť lubrikovaný olejom, napr. niekoľko kvapiek oleja môže byť kvapnutých do tlakového vzduchu alebo priamo do prívodu vzduchu.

Spúšť, planetová prevodovka, ihlové a guľôčkové ložiská musia byť mazané počas odstávky nástroja. Uhlový prevod a spojka musia byť premazané mazivom, ktoré obsahuje sulfát molybdénum: napr. Molykote BR2 Plus alebo podobný ekvivalent.

Používajte iba kvalitné mazivá. Oleje a tuky uvedené v tabuľke sú príklady odporúčaných mazív.

Ochrana pred koróziou a čistenie

Voda v stlačenom vzduchu, prach a častice z opotrebovania spôsobujú koróziu, zablokovanie pohyblivých častí, ventilov a podobne. Vzduchový filter by mal byť inštalovaný v blízkosti nástroja (viď „Kvalita vzduchu“).

Servisné inštrukcie

Odstávka a preventívna údržba sú odporúčané v pravidelných intervaloch raz za rok alebo maximálne po 250 000 uťahovacích cykloch, podľa toho, čo nastane skôr. Častejšia preventívna údržba môže byť požadovaná pri vysokých krútiacich momentoch a dlhých uťahovacích časoch. Pokiaľ nástroj nefunguje správne, musí byť ihneď stiahnutý z činnosti a dodaný ku kontrole.

Filter na prívod vzduchu a tlmič sa musia často čistiť alebo meniť, aby nedošlo k zaneseniu nástroja, ktoré by mohlo mať za následok zníženie jeho výkonu.

Pri každej revízii by mali byť všetky časti dôkladne vyčistené a poškodené alebo opotrebované časti (napr. krúžky a lopatky) vymenené.

Demontáž / montáž

Je dôležité, aby boli závitové spoje nástroja správne utiahnuté, to znamená podľa špecifikácie na kusovníku.

ⓘ Pred montážou namažte krúžky a krúžkové spoje.

Čistenie

Je dôležité čistenie všetkých častí lakovým benzínom alebo podobným čistiacim prípravkom.

Aby nedošlo k zaneseniu a zníženiu výkonu nástroja, je potrebné, medzi jednotlivými revíziami čistiť filter (ak sa používa) a rovnako i výfukový filter.

Kontrola

Po čistení skontrolujte všetky diely. Poškodené a opotrebované diely vymeňte.

Mazanie

Je potrebné mazať predovšetkým prevody, ventil a spojku, a to mazivom s obsahom molybdenu sulfidu (napr. Molykote BR2 Plus). Vid' kusovník a inštrukcie na údržbu.

Výber maziva pre uťahovák matíc

Značka	Ložiská (všeobecné použitie)	Voľnobežka (veniec a ozubené kolesá)	Voľnobežka
BP	Energrease LS-EP2		Energrease LS-EP2
Castrol	Spheerol EP L2		
Esso	Beacon EP2		Beacon EP2
Q8	Rembrandt EP2		Rembrandt EP2
Mobil	Mobilegrease XHP 222		
Shell	Alvania EP2		Alvania EP2
Texaco	Multifak EP2		
Molycote			
Lubricating		Suntemp LE 9102	
STP		Oil treatment	

Značka	Ložiská	Vzduchu mazanie
Bp		Energol E46
Castro		
Esso		AroxEP46
Q8		Chopin 46
Mobil		Almo oil 525
Shell		Torcula 32
Texaco		Aries 32
Molycote	BR2 Plus	



Zampini Industrial Group

AirToolPro.com

1-800-353-4676

ZAMPINI INDUSTRIAL GROUP

Bezpečnostné predpisy

Upozornenie

Uistite sa, že ovládáte návod na použitie pred tým ako začnete používať tento nástroj.

Nástroj spolu so svojim príslušenstvom nesmie byť v žiadnom prípade používaný na iné účely ako na tie, na ktoré je určený.

Všetky lokálne právne bezpečnostné pravidlá pre inštaláciu, návod na použitie a údržbu musia byť striktne dodržiavané.

Inštaláciu a údržbu môže vykonávať iba kvalifikovaná osoba.

Pred nastavovaním (napr. výmena púzdra) odpojte nástroj od zdroja tlakového vzduchu.

Pred použitím vždy skontrolujte nastavenie smeru otáčania.

Pri použití uťahováka s reakčnou tyčou dbajte na zvýšenú pozornosť – hrozí privretie. Z bezpečnostných dôvodov nikdy nedovoľte, aby nástroj obsluhovala osoba, ktorá nie je preškolená a oboznámená s jeho funkciami a správaním sa v rozličných podmienkach. Čítajte prosím aj časť textu s názvom “Reakčná tyč”.

Tento nástroj môže byť použitý iba s reakčnou tyčou, ktorá je prispôbená na daný typ skrutkového spojenia. Čítajte prosím aj časť textu s názvom “Reakčná tyč”.

Nikdy sa nedotýkajte a nepribližujte rukami k reakčnej tyči pokiaľ je nástroj v chode.

Skontrolujte či je púzdro správne utiahnuté. V prípade potreby vymeňte blokovací alebo zaisťovací kolík. Vymeňte celé púzdro v prípade jeho opotrebenia.

Dbajte, aby s rotujúcim púzdrom nedošli do styku vlasy, ruky a ani iné predmety.

V prípade použitia závesu skontrolujte, či nie je poškodený, a či je dostatočne utiahnutý.

Part no	8940166747	
Issue no	1	
Series no	1	
Date	2010-01	
Page	144	

ZÁRUKA FIRMY CP

- 1) Tento výrobok firmy CP je v záruke voči chybnéj výrobe alebo materiálom na maximálnu dobu 12 mesiacov od dátumu nákupu od firmy CP alebo jej agentov za predpokladu, že jeho použitie je obmedzené na jednu prevádzkovú smenu v priebehu tejto lehoty. Ak frekvencia použitia presiahne jednu prevádzkovú smenu záručná lehota výrobku bude primerane skrátená.
- 2) Ak na výrobku dôjde v priebehu záručnej lehoty k poruche, vyplývajúcej z chybnéj výroby alebo chybného materialu, výrobok vráťte firme CP alebo do jej zastupiteľskej predajne spolu s krátkym popisom poruchy. Firma CP na základe vlastného uváženia zabezpečí opravu alebo bezplatnú vymenu tých výrobkov, u ktorých boli poruchy spôsobené chybnou výrobou alebo materiálom.
- 3) Táto záruka sa nevzťahuje na výrobky, s ktorými sa nesprávne zaobchádzalo, ktoré boli nesprávne použité alebo modifikované, pri oprave ktorých neboli použité originálne súčiastky firmy CP, alebo ktoré neboli opravené firmou CP, či jej oprávneným servisným strediskom.
- 4) Ak oprava poruchy spôsobenej nesprávnym zaobchádzaním, nesprávnym použitím alebo neoprávnenou modifikáciou spôsobí firme CP náklady, bude firma CP vyžadovať úplnú úhradu týchto nákladov.
- 5) Firma CP neprijíma žiadne nároky na náklady spojené s vynaloženou prácou alebo na náklady vynaložené na chybné výrobky.
- 6) Akékoľvek priame, náhodné alebo následné škody vyplývajúce z akejkolvek poruchy sú výslovne vylúčené.
- 7) Táto záruka sa vydáva namiesto všetkých ostatných záruk, alebo podmienok vyjadrených alebo naznačených vo vzťahu ku kvalite, predaju alebo vhodnosti pre akýkoľvek určitý účel.
- 8) Žiaden zástupca, ani zamestnanec firmy CP, nie je oprávnený akýmkoľvek spôsobom dopĺňovať alebo modifikovať podmienky tejto obmedzenej záruky.

PRIROČNIK Z NAVODILI

Ta izdelek je oblikovan za nameščanje in odstranjevanje spojnih elementov z navojem v les, kovino in plastiko. Drugačna raba ni dovoljena. Namenjen je le profesionalni rabi.

Glavne lastnosti

Razpon navora:	300-900 Nm
Hitrost v prostem teku:	100 r/mn (tr/mn)
Delovni pritisk:	3-7 barov
Poraba zraka:	19 l/s (40CFM)
Teža:	
CP7600 C	6.8 kg
CP7600 C-R	7.4 kg
CP7600 C-4P	7.1 kg
CP7600 C-R4P	7.7 kg

Emisije hrupa in vibracij

Hrup v skladu s PN8NTC	dB(A)
Izmerjena stopnja hrupa:	79
Ugotovljena stopnja glasnosti:	
Razpon v metodnem in proizvodnem delu:	3

Vibracija v skladu z ISO 8662-7:	m/s ²
Izmerjena vrednost vibracije:	<2.5
Razpon v metodnem in proizvodnem delu	

Izjava o emisiji hrupa in tresljajev

Te izjavljene vrednosti so pridobljene s laboratorijskimi preizkusi v skladu z omenjenimi standardi in niso primerne za uporabo ocenjevanja nevarnosti. Vrednosti izmerjene v posameznih delovnih prostorih so lahko višje od izjavljenih vrednostih. Dejanska vrednost izpostavitve in nevarnosti za poškodbe posameznega uporabnika so edinstvene in odvisne od načina dela, obdelovanca in oblike delovnega prostora, kakor tudi od časa trajanja dela in fizične kondicije uporabnika.

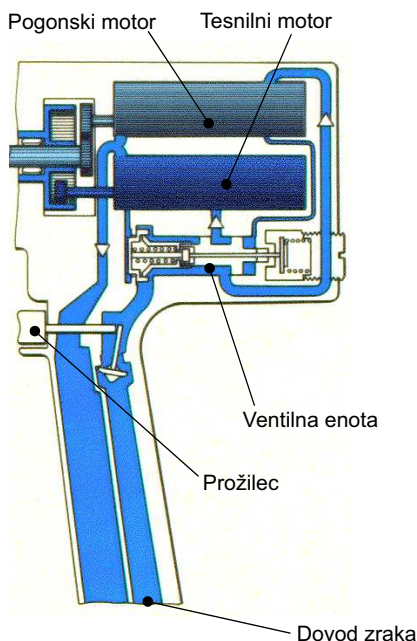
Mi, CP, nismo odgovorni za posledice uporabe izjavljenih vrednosti namesto vrednosti, ki jih odseva dejansko izpostavitve v posameznem primeru na delovnem okolju na katerega nimamo nobenega vpliva.

Copyright

© Copyright 2008, CP. Vse pravice pridržane. Vsakršna nepooblaščen uporaba ali razmnoževanje celote ali dela tega dokumenta je prepovedana. Prepoved se še posebej nanaša na blagovne znamke, imena modelov, številke sestavnih delov in risbe. Uporabljati je dovoljeno le rezervne dele pooblaščenih prodajalcev. Vsaka poškodba ali napaka pri delovanju, ki je posledica uporabe neavtoriziranih sestavnih delov, izključuje veljavnost garancijskih pogojev!

Načelo delovanja

IZnotraj CP7600 ventilna enota združuje 2 ključni funkciji: vodenje zraka skozi dva pnevmatska motorja in zapiranje dovoda zraka v orodje.



Pogon

Ob pritisku na sprožilec zrak steče po ventilni enoti, ki ga vodi skozi pogonski motor, ki se vrti. Ta motor nosi kolesce z nizkim kvocientom, ki generira visoko hitrost in majhen navor.

Stikalo motorja

Ko se navorna obremenitev na izhodni pogon CP7600, se pogonski motor upočasni, pri čemer se poveša zračni tlak v motorju. Pod tem pritiskom se ventil premesti v drug položaj.

Privijanje

Zrak se nato preusmeri skozi tesnilni motor. Ta motor nosi kolesce z visokim koeficientom, ki generira nizko hitrost in velik navor.

Izklop

Ko se navorna obremenitev še naprej zvišuje, se tesnilni motor upočasni, zaradi česar se zračni tlak v motorju zviša. Ko ta zračni tlak preseže nastavljeni tlak vzmeti, se premakne bat v ventilni enoti in zapre celoten dovod zraka.

Prilagajanje izklopa

Tlak vzmeti lahko prilagodite med kalibracijo orodja. Določen zračni tlak (navadno 6,3 bara/90 psi) pomeni določeno stopnjo navora.

OPOZORILO



Sprememba zračnega tlaka bo vplivala na način izklopa.

Če je zračni tlak višji od nastavljenega zračnega tlaka, bo do izklopa prišlo prej, navor pa bo nižji od pričakovanega.

Pomembno je, da CP7600 poganjati pri zračnem tlaku, ki je naveden na kalibracijski oznaki, da bi dobili ustrezen navor.

Namestitev

Kakovost zraka

- Za optimalno delovanje in najdaljšo življenjsko dobo priporočamo, da uporabljate komprimiran zrak z rosiščem med +2 °C in +10 °C. Priporočamo tudi namestitev ohlajevalnega sušilca zraka.
- Uporabljajte ločeni zračni filter za odstranjevanje trdih delcev, večjih od 30 mikronov in več kot 90 % tekoče vode, nameščen čim bližje stroju in pred vsako drugo enoto za pripravo zraka. Pred priključitvijo izpihajte cev.
- Komprimiran zrak mora vsebovati majhno količino olja. Zelo priporočamo, da namestite maznico za oljno meglo in jo nastavite na 3-4 kaplje (50 mm³)/m³ porabe zraka za orodja za dolge delovne cikle ali enotočkovno maznico za orodja za kratke delovne cikle.
- Pri orodjih, ki ne potrebujejo oljenja, ni nič narobe, če komprimiran zrak vsebuje majhno količino olja, ki ga vnaša maznica (po izbiri). Izjema pri tem so turbinska orodja, v katera ne smemo vnašati olja. (prosimo glejte poglavje Pripomočki za dovod zraka našega glavnega kataloga).

Priključitev na komprimiran zrak

- Stroj je oblikovan za delovni pritisk (e) 3-7 bara = 300-700 kPa = 87-102 psi.
- Pred priključitvijo cev izpihajte.

Priporočila za namestitev

Za pravilno delovanje in varnost je treba pravilno nastaviti tesnilni navor matičnega valja glede na vijačni spoj. Preverite tesnilni navor na trenutnem spoju. Zračni tlak, ki ga zagotavlja enota FRL mora biti nastavljen v skladu s tlakom, navedenim na kalibracijski oznaki za hitrost v prostem teku (povsem pritisnite prožilec in pustite, da se matični valj vrti prosto nekaj sekund), običajno med 6,0-6,3 bara.

Ravnanje s strojem

Namestitev tesnilnega navora

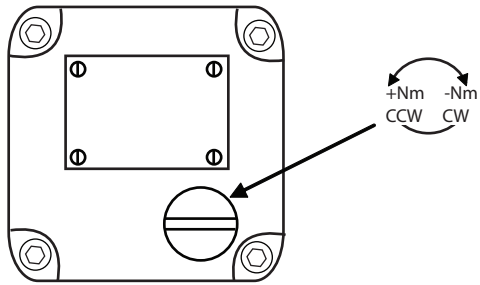
Za pravilno delovanje in varnost je treba pravilno nastaviti tesnilni navor matičnega valja glede na vijačni spoj. Preverite tesnilni navor na trenutnem spoju.

Zračni tlak, ki ga zagotavlja enota FRL mora biti nastavljen v skladu s tlakom, navedenim na kalibracijski oznaki za hitrost v prostem teku (povsem pritisnite prožilec in pustite, da se matični valj vrti prosto nekaj sekund), običajno med 6,0-6,3 bara.

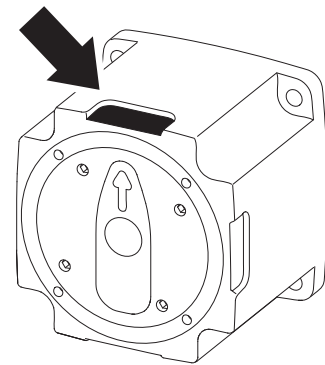
Izbirno stikalo posameznega navora

Nastavitev navora nastavite z nastavitvenim ključem. Navor zvišate z obračanjem vijaka v nasprotni smeri od urinega kazalca. Po nastavitvi, preverite tesnilni navor zadevnega spoja.





c000850



cs001050

ⓘ Če se stroj izklopi pri visoki hitrosti vrtenja, ki povzroča visoko razpršitev navora, priporočamo, da zračni tlak znižate.

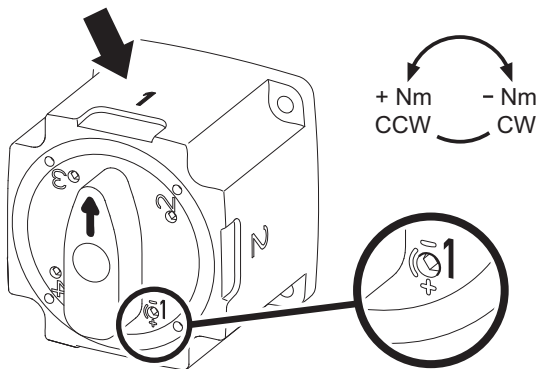
4-stopenjsko izbirno stikalo

Da bi nastavili Navor 1, obrnite rotacijsko stikalo do označbe na ohišju. Nastavite prilagoditveni vijak 1. Glede oznako na stikalu, da bi videli, kako povečati/zmanjšati navor. Da bi nastavili Navor 2, rotacijsko stikalo nastavite na označbe 2 na ohišju. Nastavite prilagoditveni vijak 2.

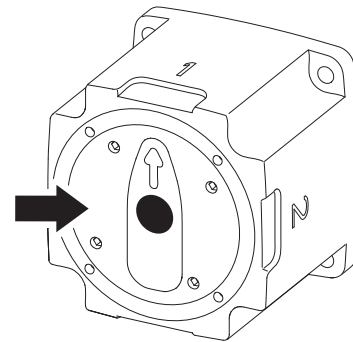
Svoje nastavitve navora si shranite, tako da na štirih mestih na ohišju postavite svoje označbe.

Navodila za delo Izbira tesnilnega navora

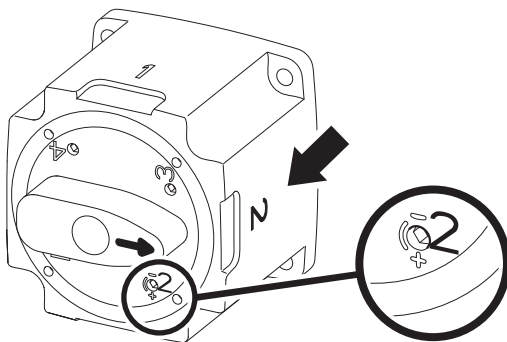
Pritisnite na črni gumb. Rotacijsko stikalo obrnite v zeleni položaj. Rotacijsko stikalo ponovno pritisnite navznoter.



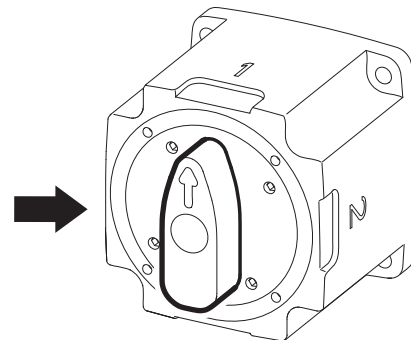
cs000800



cs000810

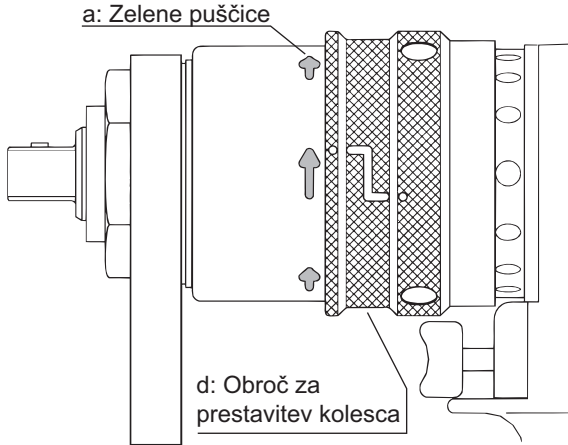


cs001040



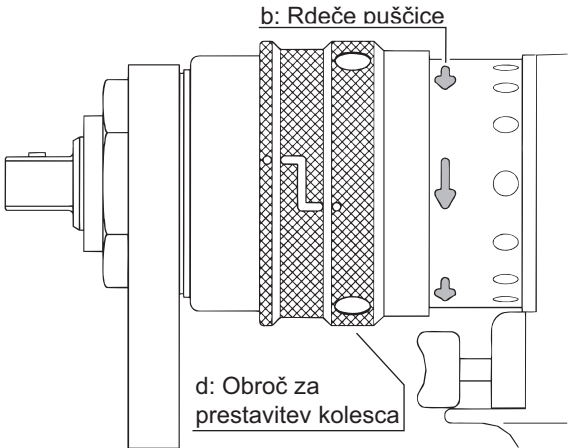
cs001060

Položaj obroča menjalnika – položaj menjalnika v smeri urinega kazalca



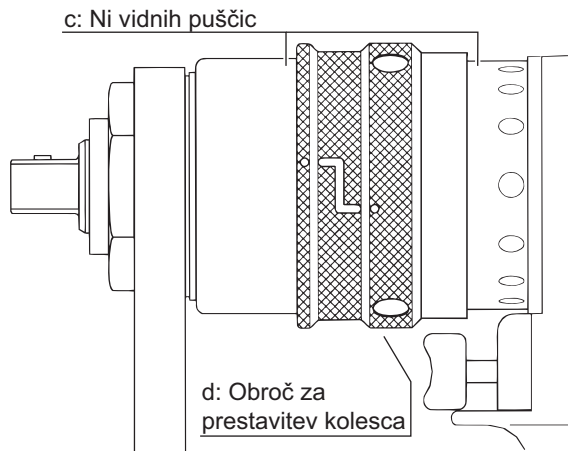
cs000940

Položaj obroča menjalnika – položaj menjalnika v nasprotni smeri urinega kazalca



cs000950

Položaj obroča menjalnika – vmesni položaj menjalnika



cs000960

Navodila za vrnitev menjalnika v prvotni položaj

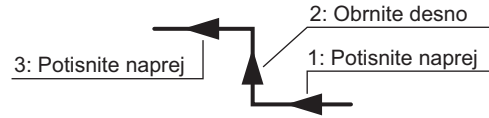
Ker se menjalnik v prvoten položaj ne vrne samodejno, pred pričetkom dela zmeraj preverite, ali je nastavljen v smeri urinega kazalca ali obratno in ali so vse puščice jasno razvidne.

OPOZORILO



Nikoli ne prestavljajte medtem, ko je stroj zagnan. Nikoli ne zaganjajte stroja, jo je menjalnik v vmesnem položaju.

Obroč menjalnika primite z roko in ga obrnite – desno – naprej, glejte sliko spodaj.



cs000970

Rdeče puščice kažejo smer teka. To pomeni, da bo stroj ob zagonu tekkel v nasprotni smeri urinega kazalca.

Med preklapljanjem nazaj v smer urinega kazalca, potegnite obroč nazaj – nazaj, glejte sliko spodaj.

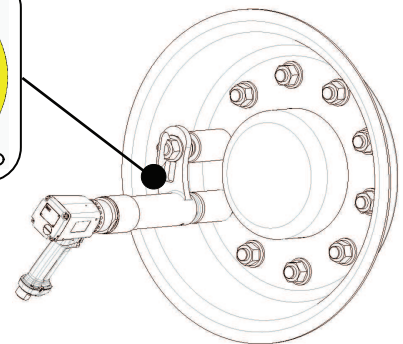
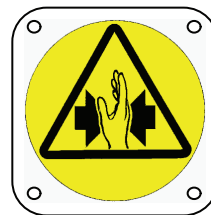


cs000980

Zelene puščice kažejo smer teka. To pomeni, da bo stroj ob zagonu tekkel v smeri urinega kazalca. Obroč v obeh položajih ni treba držati z rokami.

Razširjena reakcijska roka z vzmetenim cevnim nastavkom

Nastavite razdaljo od-središča-do-središča med vtičnico in vzmetenim cevnim nastavkom in nastavite matice za privijanje/odvijanje. Preverite, ali je vzmetni cevni nastavek dobro pritrjen na reakcijsko roko. Preden zaženete stroj, reakcijsko palico nastavite v želen položaj. Reakcijska roka mora imeti prostor za celoten obrat okoli pesta.



cs001020

Vzdrževanje

Za najboljše delovanje

Pomembno je, da stroj redno oljite, da bi ta deloval kar najbolje in brez težav. Motor je treba oljiti z oljem; to pomeni, da lahko kapljice olja vnesete bodisi v komprimiran zrak ali neposredno v dovod zraka.

Prožilec, krožna kolesca, igelne nosilce in kroglične ležaje je treba med rednim servisom naoljiti z mastjo. Kotno kolesce in sklopko je treba naoljiti z mastjo, ki vsebuje molibdenov disulfid: na primer Molykote BR2 Plus ali podobno.

Uporabljajte maziva dobre kakovosti. V tabeli omenjena olja in masti so primeri priporočenih maziv.

Zaščita pred rjo in notranje čiščenje

Voda v komprimiranem zraku, prah in odpadni delci povzročajo rjo in lepljenje na krila propelerjev, ventilov idr. Zračni filter je treba namestiti v bližino stroja (glejte poglavje „Kakovost zraka“).

Navodila za servisiranje

Priporočamo redno servisiranje in preventivno vzdrževanje v rednih intervalih enkrat letno ali po največ 250.000 navojih, glede na to, kar nastopi prej. Ob uporabi visokega navora in dolgih časov privijanja, bo potrebno pogostejše servisiranje. Če naprava ne deluje pravilno, jo je treba takoj odpeljati na servis.

Cedilo na dovodu zraka in izpušni dušilec je treba pogosto čistiti ali zamenjati, da bi preprečili zamašitev, ki bi zmanjšala zmogljivost stroja.

Ob rednih servisih je treba vse dele pravilno očistiti in zamenjati okvarjene in obrabljene dele (to so obroči oblike O, krila propelerjev).

Razstavljanje / sestavljanje

Pomembno je, da so navojni priključki stroja dobro pritesnjeni; to pomeni v skladu s specifikacijami na eksplozijskih slikah.

ⓘ Obroče oblike O in navojne priključke pred sestavljanjem naoljite.

Čiščenje

Vse dele dobro očistite z belim alkoholom ali podobnim detergentom.

Da bi preprečili zamašitve in izgubo moči, bo morda treba očistiti sesalec (če je v uporabi) in izpušni filter tudi v času med rednimi servisi.

Pregled

Po čiščenju vse dele pregledajte. Poškodovane in obrabljene dele je treba zamenjati.

Oljenje

Posebej oljite kolesca, ventil in sklopko z mastjo, ki vsebuje molibdenov disulfid (npr. Molykote BR2 Plus). Prosimo, glejte eksplozijske slike in sliko v navodilih za servisiranje.

Vodič po mazivih, matični valji

Znamka	Nosilci (splošni namen)	Prosto-kolesna enota (okvir in kolesa menjalnika)	Prosto kolo
BP	Energrease LS-EP2		Energrease LS-EP2
Castrol	Spheerol EP L2		
Esso	Beacon EP2		Beacon EP2
Q8	Rembrandt EP2		Rembrandt EP2
Mobil	Mobilegrease XHP 222		
Shell	Alvania EP2		Alvania EP2
Texaco	Multifak EP2		
Molykote			
Lubricating		Suntemp LE 9102	
STP		Oil treatment	

Znamka	Kolesca	Air mazanje
Bp		Energol E46
Castro		
Esso		AroxEP46
Q8		Chopin 46
Mobil		Almo oil 525
Shell		Torcula 32
Texaco		Aries 32
Molycote	BR2 Plus	

Varnostna navodila

Opozorilo

Prepričajte se, ali ste seznanjeni z navodili za delo, preden pričnete uporabljati ta stroj.

Stroja z njegovimi pripomočki in dodatki se ne sme nikoli uporabljati za kar koli drugega kot njegov namen.

Zmeraj je treba upoštevati vsa lokalno uzakonjena varnostna pravila glede namestitve, upravljanja in vzdrževanja.

Namestitvena in servisna dela naj izvaja le kvalificirano osebje.

Pred prilagoditvami (npr. menjavanjem vtičnic), stroj izklopote iz vira komprimiranega zraka.

Pred uporabo stroja preverite smer vrtenja.

Upravljavci z matičnimi valji z navorno reakcijsko palico morajo še posebej paziti, da bi se izognili poškodbam zaradi stiskanja. Iz varnostnih razlogov – nikoli ne pustite, da bi s strojem delal nekdo, ki za to ni usposobljen in seznanjen s tem, kako se stroj obnaša v različnih situacijah. Glejte poglavje z naslovom „Reakcijska palica“.

Stroj se sme uporabljati le v kombinaciji s pripadajočo navorno reakcijsko palico, ki je nastavljena na zadevno uporabo za vijačni spoj. Glejte tudi navodila v poglavju „Reakcijska palica“.

Roke nikoli ne polagajte na ali približujte reakcijski palici, medtem ko je stroj v uporabi.

Preverite, ali je napetostna vtičnica ustrezno zatesnjena. Ob potrebi zamenjajte pritrilni ali zaklepni zatič. Zamenjajte tudi obrabljeno vtičnico.

Rok, dolgih las in drugih predmetov ne približujte vrteči se vtičnici.

Pri uporabi amortizacijskega jermena, preverite ali je ta v dobrem stanju in ali je pravilno nameščen.



CP-JEVA GARANCIJA

- 1) Ta CP-jev izdelek ima garancijo na pomanjkljivo delo ali materiale za največ 12 mesecev od dne nakupa pri CP-ju ali naših predstavnikih, če je uporaba omejena na eno izmeno za celotno obdobje delovanja. Če uporaba preseže eno izmeno, bo doba garancije sorazmerno skrajšana.
- 2) Če se med garancijsko dobo izdelek pokaže kot pomanjkljiv v smislu izdelave ali materialov, ga je treba vrniti CP-ju ali našim zastopnikom, skupaj s kratkim opisom domnevne pomanjkljivosti. CP bo, po lastni presoji, uredil popravilo ali zamenjavo tistih izdelkov, ki se bodo izkazali kot nezadostni v smislu pomanjkljive izdelave ali materialov.
- 3) Ta garancija neha veljati za izdelke, s katerimi se je neprimerno ali napačno ravnilo ali so bili predelani oziroma popravljani z rezervnimi deli, ki niso originalni CP-jevi rezervni deli, oziroma jih je popravil nekdo, ki ni od CP-ja ani njegov pooblaščen servisni zastopnik.
- 4) Če bo imel CP stroške z odpravljanjem pomanjkljivosti, ki so posledica neustrezne ali napačne uporabe ali nepooblaščen predelave, bo zahteval, da so vsi stroški v celoti kriti.
- 5) CP ne sprejema nikakršnih zahtev po delu ali drugih vlaganjih v pomanjkljive izdelke.
- 6) Vsaka direktna, naključna ali posledična odškodnina, do katere bi prišlo zaradi kakršne koli pomanjkljivosti, je eksplicitno izključena.
- 7) Ta garancija se izdaja namesto vseh drugih garancij ali pogojev, eksplicitno zapisanih ali mišljenih, glede kvalitete, prodajnosti ali primernosti za kateri koli posebni namen.
- 8) Nihče, naj bo zastopnik, serviser ali uslužbenec CP-ja, ni pooblaščen, da bi na kakršen koli način dodajal ali spreminjal pogoje te omejene garancije.



РЪКОВОДСТВО С ИНСТРУКЦИИ

Този продукт е проектиран за монтаж и отстраняване на резбови крепежни елементи от дърво, метал и пластмаса. Не е разрешена друга употреба. Само за професионална употреба.

Основни характеристики

Диапазон на момента на затягане	300-900 Nm
Свободна скорост	100 об./мин.
Работно налягане	3-7 bar
Консумация на въздух	19 л/сек. (40 куб. фута/минута)
Тегло:	
CP7600 C	6.8 kg
CP7600 C-R	7.4 kg
CP7600 C-4P	7.1 kg
CP7600 C-R4P	7.7 kg

Излъчване на шум и вибрации

Шум съгласно PN8NTC	dB(A)
Измерено ниво на звуковото налягане	79
Определено ниво на звуковото налягане	
Метод на разпространение и пораждане	3

Вибрации съгласно ISO 8662-7	m/s ²
Измерена стойност на вибрациите	<2.5
Метод на разпространение и пораждане	

Декларация за излъчването на шум и вибрация

Тези декларираните стойности са получени при тестване от лабораторен тип в съответствие с посочените стандарти и са подходящи за употреба за оценка на риска. Стойностите измерени на индивидуалните работни места може да са по-високи от декларираните стойности. Действителните стойности на излагане и рискът от увреждане изпитвани от отделния потребител са различни и зависят от начина, по който работи потребителят, от детайла и конструкцията на работното място, както и от времето на излагане на въздействието и физическото състояние на потребителя.

Ние, *CP* не можем да бъдем отговорни за последствията от употребата на декларираните стойности, вместо стойностите отразяващи действителното излагане, при индивидуална оценка на риска в ситуация на работното място, върху която ние нямаме контрол.

Part no	8940166747	
Issue no	1	
Series no	1	
Date	2010-01	
Page	152	

Гаранция на СР

- 1) Този продукт на СР е гарантиран срещу дефектна изработка и материали, за максимален период от 12 месеца считан от датата на поръчката от СР или нейни представители, считайки, че неговото използване се ограничава до нормален работен ден (8 часова смяна) за този период. Ако честотата на употреба надвишава нормален работен ден, срокът на гаранцията ще бъде намален пропорционално.
- 2) Ако по време на гаранционния срок продуктът се окаже дефектен в изработката или материалите, той трябва да бъде върнат на СР или неин представител заедно с кратко описание на предполагаемия дефект. СР трябва по своя преценка да организира безплатна поправка или замяна на тези артикули които са определени като неизправни поради дефектна изработка или материали.
- 3) Тази гаранция спира да важи за продукти с които се е злоупотребило, не са използвани по предназначение или са модифицирани, или такива които са поправени с други освен оригинални СР резервни части, или от лице различно от СР или негови авторизирани представители за обслужване.
- 4) Ако СР претърпи разходи отстранявайки дефект в резултат на злоупотреба, неправилно използване, повреда при инцидент или неразрешена модификация, то ще се изисква тези разходи да бъдат напълно покрити.
- 5) СР не приема искове за труд или други разходи направени при използването на дефектни продукти.
- 6) Всички преки, инцидентни или последващи щети както и да настъпят от какъвто и да е дефект са категорично изключени.
- 7) Тази гаранция се дава вместо всички други гаранции или условия, изложени или косвени, относно качеството, търговията или годността за всяка определена цел.
- 8) Никой, било то и представител, служител или работник на СР е упълномощен да добавя или променя условията на тази ограничена гаранция по какъвто и да е начин.

PRIRUČNIK S UPUTAMA

Ovaj proizvod je konstruiran za instaliranje i uklanjanje vijčanih spojnih elemenata u drvu, metalu i plastici. Druge namjene nisu dopuštene. Samo za profesionalnu uporabu.

Glavne karakteristike

Raspon zakretnog momenta	300-900 Nm
Brzina slobodnog hoda	100 o/min
Radni tlak	3-7 bar
Potrošnja zraka	19 l/s (40CFM)
Težina:	
CP7600 C	6.8 kg
CP7600 C-R	7.4 kg
CP7600 C-4P	7.1 kg
CP7600 C-R4P	7.7 kg

Emisija buke i vibracija

Buka prema ISO15744	dB(A)
Izmjerena razina zvučnog tlaka	79
Određena razina snage zvuka	
Spread-in metoda i proizvodnja	3

Vibracije prema ISO 8662-7	m/s ²
Izmjerena vrijednost vibracija	<2.5
Spread-in metoda i proizvodnja	

Deklaracija o buci i emisiji vibracija

Ove deklarirane vrijednosti dobivene su u laboratorijskom ispitivanju sukladno navedenim standardima i nisu prikladne za uporabu u procjeni rizika. Vrijednost izmjerene na pojedinim mjestima rada mogu biti veće od ovih deklariranih vrijednosti. Stvarne vrijednosti izloženosti i rizik od oštećenja kojima je izložen pojedini korisnik jedinstveni su i ovise o načinu na koji korisnik radi, predmetu rada i konstrukciji radne stanice, kao i o vremenu izloženosti i fizičkom stanju korisnika.

Me, *CP*, ne možemo biti odgovorni za posljedice korištenja deklariranih vrijednosti, umjesto vrijednosti koje odražavaju stvarnu izloženost, pri pojedinačnoj procjeni rizika i u raznim situacijama na mjestima rada nad kojima mi nemamo kontrolu.

Part no	8940166747
Issue no	1
Series no	1
Date	2010-01
Page	154

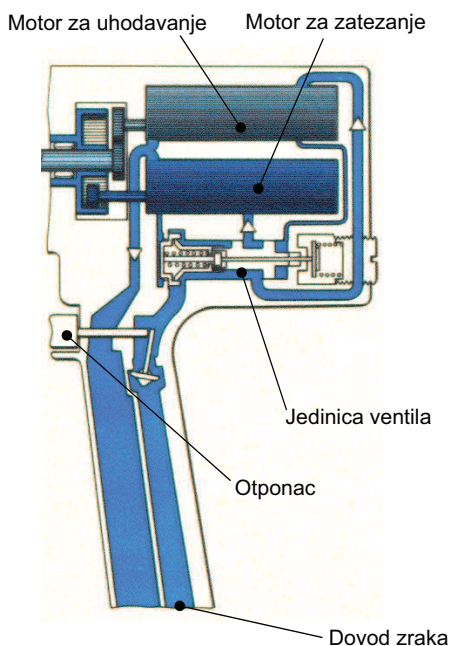


Copyright

© Copyright 2008, CP. Sva prava zadržana. Zabranjeno je neovlaštena uporaba ili umnožavanje sadržaja ovog dokumenta ili njegovih dijelova. To se posebno odnosi na trgovačke marke, oznake modela, brojeve dijelova i crteže. Koristite samo odobrene dijelove. Sva oštećenja ili kvarovi uzrokovani korištenjem neodobrenih dijelova nisu obuhvaćeni jamstvom ili odgovornošću za proizvod.

Općenito

Jedinica ventila u CP7600 kombinira 2 glavne funkcije:
odvođenje zraka na dva pneumatska motora i isključivanje dobave zraka u alat.



Uhadavanje

Kada se otponac povuče zrak struji kroz jedinicu ventila i odvodi se kroz motor za uhadavanje koji se okreće. Taj motor pogoni zupčanik s niskim omjerom prijenosa koji stvara visoku brzinu i mali zakretni moment.

Prekidač motora

As the torque load applied on the CP7600 output drive increases, the rundown motor slows down, leading to a higher air pressure inside the motor. Under this higher pressure, the valve is pushed to another position.

Zatezanje

Zrak se tada potiskuje kroz motor za zatezanje. Taj motor pogoni zupčanik s visokim omjerom prijenosa koji daje nisku brzinu i visok zakretni moment.

Isključivanje

Kako se zakretno opterećenje nastavlja povećavati motor za zatezanje usporava, što dovodi do višeg tlaka zraka u motoru. Kada taj tlak zraka prijeđe podešeni talk opruge, klip u ventilu se potiskuje zatvarajući cijeli dovod zraka.

Podešavanje isključivanja

Tlak opruge podešava se alatom za kalibraciju. Određeni tlak zraka (obično 6,3 bar/90 psi) daje određeni zakretni moment.

UPOZORENJE



Primjena tlaka zraka promijenit će proces isključivanja.

Ako je tlak zraka viši od kalibriranoga tlaka zraka, isključivanje se događa ranije, a zakretni moment će biti manji od očekivanoga.

Vrlo je važno da CP7600 radi na tlaku zraka koji je napisan na kalibracijskom certifikatu, kako bi se dobio pravilan zakretni moment.

Instalacija

Kvaliteta zraka

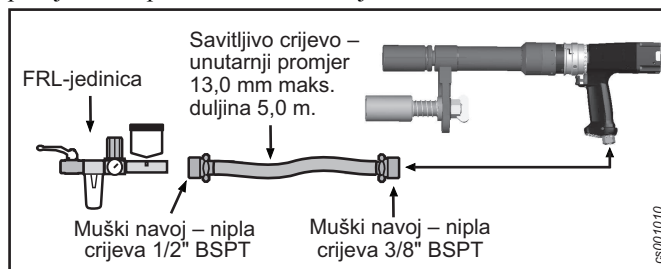
- Za optimalna radna svojstva i maksimalni radni vijek stroja preporučujemo da koristite komprimirani zrak s rosištem između +2°C i +10°C. Preporučuje se instalacija sušilice zraka rashladnog tipa.
- Koristite odvojene zračne filtere za uklanjanje krutih čestica većih od 30 mikrona i više od 90% tekuće vode, instalirane što je moguće bliže stroju i prije bilo koje druge jedinice za pripremu zraka. Ispušite crijevo prije priključivanja.
- Komprimirani zrak mora sadržavati malu količinu ulja. Ozbiljno preporučujemo da instalirate uljni raspršivač postavljen normalno na 3-4 kapi(50mm³)/m³ potrošnje zraka na alatima s dugim radnim ciklusom ili mazalicu u jednoj točki za alate s kratkim radnim ciklusom.
- U pogledu alata bez podmazivanja, po izboru kupca, ne šteti ako komprimirani zrak sadrži malu količinu ulja kakva se ubacuje mazalicom. Izuzetak čine turbinski alati u kojima ne smije biti ulja. (molimo pogledajte 'Pribor za zračni vod' u našem glavnom katalogu).

Priključak komprimiranog zraka

- Stroj je projektiran za radni tlak (e) od 3–7 bar = 300–700 kPa = 87–102 psi.
- Ispušite crijevo prije priključivanja.

Preporučena instalacija

Da bi se postigao pravilan kapacitet stroja, ozbiljno preporučujemo da se pridržavate priloženih smjernica za instalaciju od točke priključka na pneumatsku instalaciju do alata.



Rukovanje

Postavljanje zakretnog momenta pri zatezanju

Za točan rad i sigurnost, zakretni moment pri zatezanju ključem za matice mora biti postavljen pravilno u odnosu na vijčani spoj. Provjerite zakretni moment određen za zatezanje spoja o komu se radi.

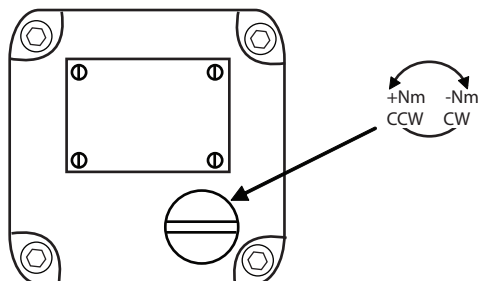
Stlačen zrak što ga daje FRL jedinica postavljen je prema tlaku napisanom na kalibracijskom certifikatu za brzinu slobodnog hoda



(otponac potpuno pritisnut, a ključ za matice radi slobodno nekoliko sekundi bez opterećenja), obično 6,0 – 6,3 bar.

Selektor stalnog zakretnog momenta

Podešite postavku zakretnog momenta pomoću ključa za podešavanje. Zakretni moment se povećava kada se vijak zakreće suprotno kazaljci sata. Nakon zatezanja provjerite zakretni moment određen za zatezanje spoja o komu se radi.

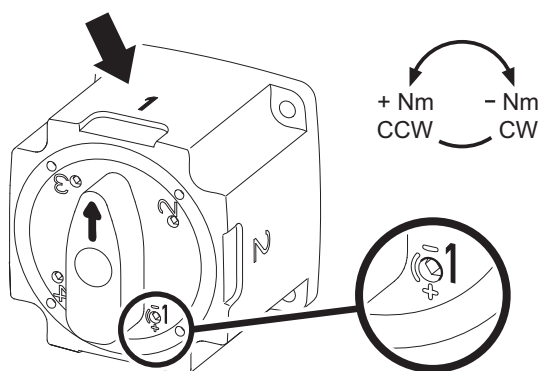


cs000850

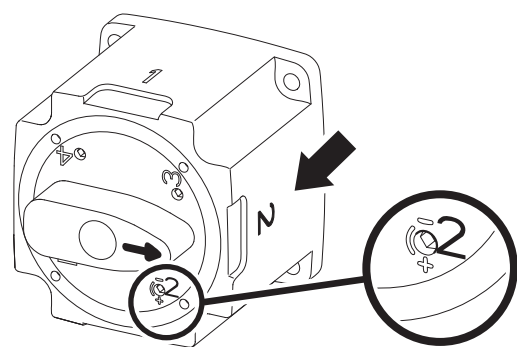
- ⓘ Ako se isključivanje izvodi na visokoj brzini vrtnje, uzrokujući visok rasap zakretnog momenta, preporučuje se da smanjite tlak zraka.

4-položajni selektor

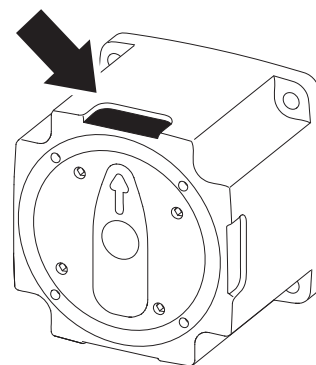
Da biste postavili zakretni Moment 1 okrenite zakretni prekidač na oznaku ref. 1 na kućištu. Postavite vijak za podešavanje 1. Pogledajte oznaku na prekidaču kako povećati/smanjiti zakretni moment. Da biste postavili zakretni Moment 2 okrenite zakretni prekidač na oznaku ref. 2 na kućištu. Postavite vijak za podešavanje 2.



cs000800



cs001040

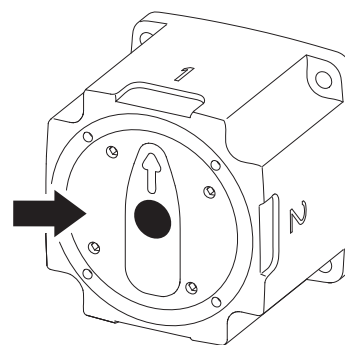


cs001050

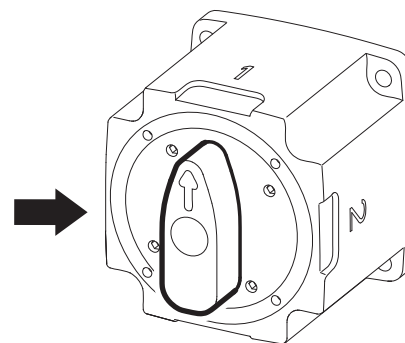
Obilježite vaše postavke zakretnog momenta postavljanjem vlastitih oznaka na četiri područja na kućištu.

Upute za rad Odabir zakretnog momenta za zatezanje

Potisnite crno dugme. Okrenite zakretni prekidač u željeni položaj. Utisnite zakretni prekidač nazad na mjesto.

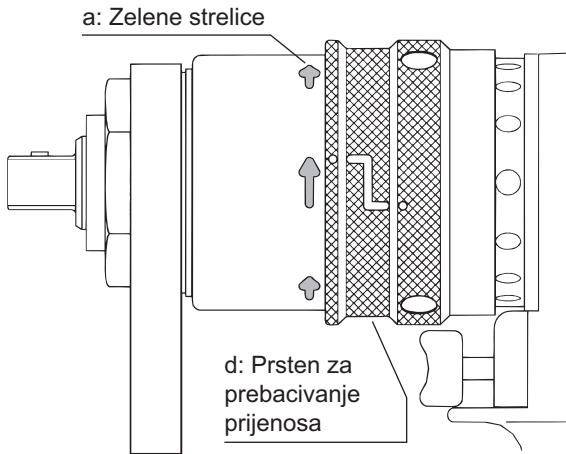


cs000810

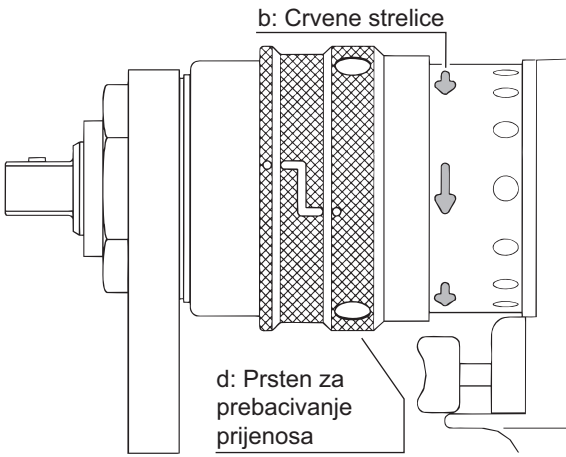


cs001060

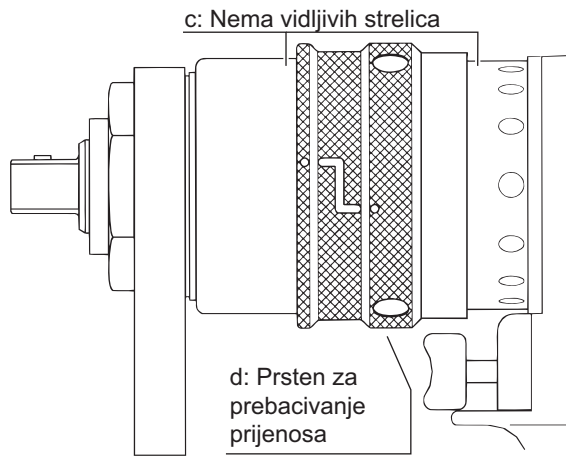
Položaj prstena za prebacivanje prijenosa – u smjeru kazaljke sata



Položaj prstena za prebacivanje prijenosa – u smjeru suprotno od kazaljke sata položaj prijenosa



Položaj prstena za prebacivanje prijenosa – srednji položaj prijenosa



Upute za prebacivanje unazad

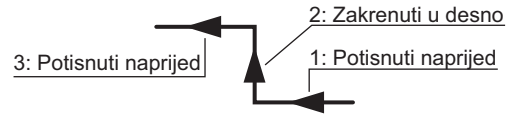
Budući da nema automatskog povrata prebacivanja prijenosa u fiksirani položaj, uvijek provjerite prije početka rada da je prijenos u položaju u smjeru kazaljke sata ili u položaju suprotnom kazaljci sata, s tim da su sve strelice jasno vidljive.

UPOZORENJE



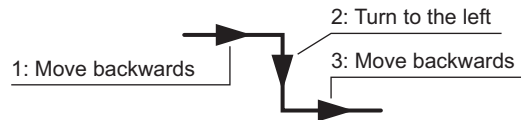
Nikada ne prebacujte prijenos dok stroj radi.
 Nikada nemojte pokretati stroj dok je prijenos u srednjem položaju.

Rukom uhvatite prsten za prebacivanje prijenosa i pomaknite ga naprijed – desno – naprijed, vidi Sl. dolje.



Crvene strelice označavaju smjer vrtnje. Npr. stroj će se vrti suprotno kazaljci sata kada se pokrene.

Kada prebacujete nazad u položaj za vrtnju u smjeru kazaljke sata, povucite prsten natrag – lijevo – natrag.



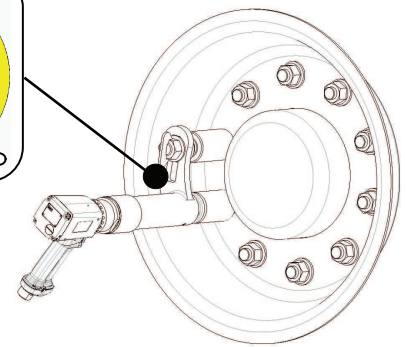
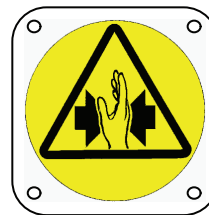
Zelene strelice označavaju smjer vrtnje, tj. stroj će se vrtiti u smjeru kazaljke sata kada se pokrene. Nije potrebno držati rukom prsten u oba položaja.

Produljite reakcijski krak namještanjem opružne cijevi

Podesite razmak centar-do centra između nasadnog ključa i opružne cijevi prema maticama koje treba zategnuti/odviti.

Provjerite da je opružna cijev čvrsto namještena duž reakcijskog kraka.

Postavite reakcijski krak u željeni položaj prije pokretanja stroja. Reakcijski krak mora se apsolutno zakretati oko glavčine.



Održavanje

Za najbolja radna svojstva

Redovito podmazivanje vrlo je važno za postizanje najboljih radnih svojstava i rada bez problema. Motor se treba podmazivati uljem, tj. kapljice ulja mogu se ispuštati ili u komprimirani zrak ili direktno u dovod zraka.

Otponac, planetarni zupčanici, igličasti ležajevi i kuglični ležajevi trebaju se podmazivati mašću tijekom redovitog remonta stroja.

Kutni mehanizam i spojka moraju se podmazivati mašću koja sadrži molibden disulfid: na primjer Molykote BR2 Plus ili ekvivalentna marka.

Koristite maziva dobre kvalitete. Ulja i masti navedeni u tablici primjeri su preporučenih maziva.

Zaštita od hrđe i unutarnje čišćenje

Voda u komprimiranom zraku, prašina i čestice nastale habanjem uzrokuju hrđanje i začepljenje lopatica, ventila itd. Treba instalirati zračni filter što bliže stroju (vidi "Kvaliteta zraka").

Servisne upute

Remont i preventivno održavanje preporučuju se u redovitim razmacima jednom godišnje ili nakon najviše 250 000 zatezanja, ovisno što se dogodi prije. Ako se koriste veliki zakretni momenti i dulje vrijeme zatezanja, mogu biti potrebni i češći remont. Ako uređaj ne radi pravilno, treba ga odmah poslati na pregled.

Cjedilo na dovodu zraka i ispušni prigušivač trebaju se često čistiti ili zamjenjivati da bi se spriječilo začepljivanje koje smanjuje radni kapacitet.

Za vrijeme remonta svi dijelovi se moraju temeljito očistiti, a oštećeni ili istrošeni dijelovi (npr. O-brtve, lopatice) moraju se zamijeniti.

Rastavljanje / sastavljanje

Važno je da se vijčani spojevi stroja zatežu pravilno, tj. u skladu sa specifikacijama na razvijenim prikazima.

ⓘ Prije sastavljanja podmažite O-brtve i vijčane spojeve mašću.

Čišćenje

Sve dijelove temeljito operite u bijelom špiritu ili sličnom sredstvu za čišćenje.

Da bi se spriječilo začepljivanje i smanjenje snage može biti potrebno očistiti cjedilo (ako se koristi) i ispušni filter između dva remonta.

Pregled

Nakon čišćenja pregledajte sve dijelove. Oštećene i istrošene dijelove treba zamijeniti.

Podmazivanje

Zupčanike, ventil i spojku dobro podmažite mašću koja sadrži molibden disulfid (npr. Molykote BR2 Plus). Molimo, pogledajte razvijene prikaze i sliku pod "Servisne upute".

Vodič za podmazivanje ključeva za maticice

Marka	Ležajevi (opća namjena)	Jedinica prijenosne spojke (prstenasti zupčanik i zupčanici)	Prijenosna spojka
BP	Energlease LS-EP2		Energlease LS-EP2
Castrol	Spheerol EP L2		
Esso	Beacon EP2		Beacon EP2
Q8	Rembrandt EP2		Rembrandt EP2
Mobil	Mobilegrease XHP 222		
Shell	Alvania EP2		Alvania EP2
Texaco	Multifak EP2		
Molycote			
Lubricating		Suntemp LE 9102	
STP		Oil treatment	

Marka	Zupčanici	Air podmazivanje
Bp		Energol E46
Castro		
Esso		AroxEP46
Q8		Chopin 46
Mobil		Almo oil 525
Shell		Torcula 32
Texaco		Aries 32
Molycote	BR2 Plus	

Sigurnosne upute

Upozorenje

Dobro se upoznajte s uputama za rad prije nego počnete koristiti ovaj stroj.

Ovaj stroj, zajedno sa svim priključcima i priborom, nikada se ne smije koristiti za išta drugo osim u svrhe za koje je projektiran.

Obavezno je uvijek se pridržavati svih lokalnih zakonskih sigurnosnih propisa u pogledu instalacije, rada i održavanja.

Instalaciju i servisiranje povjerite samo kvalificiranom osoblju.

Prije izvođenja ikakvih podešavanja (npr. promjene nasadnih ključeva) odvojite stroj od voda komprimiranog zraka.

Prije korištenja stroja provjerite smjer rotacije.

Rukovatelji ključeva za matice s reakcijskim krakom trebaju posebno paziti da izbjegnu priklještene ruku. Iz sigurnosnih razloga nemojte dopuštati rad strojem osobama koje nisu uvježbane i temeljito upoznate s ponašanjem stroja u različitim okolnostima. Pogledajte u odjeljak naslovljen "Reakcijski krak".

Stroj se smije koristiti samo s isporučenim zakretnim reakcijskim krakom koji je prilagođen za primjenu na odnosnom vijčanom spoju. Vidi također upute pod naslovom "Reakcijski krak".

Nikada ne stavljajte ruku na reakcijski krak ili blizu njega dok stroj radi.

Provjerite da je nasadni ključ pravilno učvršćen. Zamijenite osigurač ili blokadni klin kada je potrebno. Također zamijenite sve istrošene nasadne ključeve.

Ruke, dugu kosu ili druge predmete držite podalje od nasadnog ključa koji se vrti.

Kada koristite ovjesni jaram provjerite da je on u dobrom stanju i pravilno učvršćen.

CP jamstvo

- 1) Za ovaj CP proizvod jamči se da nema manjkavosti u proizvodnji ili materijalima za period od najviše 12 mjeseci nakon datuma kupnje od firme CP ili njenih agenata, s tim da je tijekom toga perioda korištenje ograničeno na rad u jednoj smjeni. Ako je učestalost korištenja veća od rada u jednoj smjeni, jamstveni period bit će smanjen na temelju razmjera korištenja.
- 2) Ako se tijekom jamstvenog perioda na proizvodu ispolje manjkavosti u proizvodnji ili materijalima, proizvod treba vratiti u firmu CP ili njenim agentima, zajedno s kratkim opisom navodne manjkavosti. Firma CP će, po svom vlastitom nahođenju, organizirati popravak ili zamjenu stavki za koje se procijeni da su neispravne zbog manjkavosti u proizvodnji ili materijalima.
- 3) Ovo se jamstvo neće primjenjivati na proizvode koji su zlorabljeni, nenamjenski korišteni ili modificirani, kako ni na proizvode popravljane rezervnim dijelovima koji nisu originalni CP rezervni dijelovi ili od strane osoba koje nisu zaposlenici firme CP ili ovlašteni serviseri.
- 4) Ako firma CP bude imala ikakve troškove pri otklanjanju neispravnosti nastale zbog zlorabe, nenamjenskog korištenja, slučajnog oštećenja ili neovlaštene modifikacije, ona će zahtijevati da se takvi troškovi u potpunosti nadoknade.
- 5) Firma CP ne prihvaća nikakve zahtjeve za radne ili druge rashode koji terete neispravne proizvode.
- 6) Sve moguće izravne, incidentne ili posljedične štete nastale zbog bilo kakve neispravnosti izričito se isključuju.
- 7) Ovo se jamstvo izdaje umjesto svih drugih jamstava ili uvjeta, izričitih ili impliciranih, za kvalitetu, utrživost ili prikladnost za bilo koju specifičnu svrhu.
- 8) Nitko, uključujući agente, službenike ili zaposlenike firme CP, nema ovlaštenje na bilo koji način dodavati ili izmjenjivati uvjete ovog ograničenog jamstva.

Part no	8940166747
Issue no	1
Series no	1
Date	2010-01
Page	160

RO

MANUAL DE INSTRUCȚIUNI

Acest produs este destinat pentru montarea și demontarea elementelor de fixare filetate în lemn, metal și plastic. Nu este permisă folosirea în niciun alt scop. Doar pentru uz profesional.

Caracteristici principale

Gama de cupluri	300 - 900 Nm
Viteza la mers în gol	100 r/mn (tr/mn)
Presiune de lucru	3-7 bar
Consum de aer	19 l/s (40CFM)
Greutate:	
CP7600 C	6.8 kg
CP7600 C-R	7.4 kg
CP7600 C-4P	7.1 kg
CP7600 C-R4P	7.7 kg

Emisia de zgomot și vibrații

Zgomot în conformitate cu ISO15744	dB(A)
Nivelul măsurat al presiunii sonore	79
Nivelul determinat al puterii sonore	
Producere și metodă de propagare	3

Vibrații în conformitate cu ISO 8662-7	m/s ²
Valoare măsurată a vibrației	<2.5
Producere și metodă de propagare	

Declarație referitoare la emisia de zgomot și vibrații

Aceste valori declarate au fost obținute prin încercări de tip laborator făcute în conformitate cu standardele menționate și nu sunt adecvate pentru folosire la evaluarea riscurilor. Valorile măsurate la locuri de muncă individuale pot fi mai mari decât valorile declarate. Valorile de expunere efective și riscul de lezare suferit de un utilizator individual sunt unice și depind de modul în care lucrează utilizatorul, de piesa de lucru, de planul stației de lucru, precum depind și de timpul de expunere și de condiția fizică a utilizatorului.

Noi, *CP*, nu putem fi făcuți răspunzători pentru consecințele folosirii valorilor declarate, în locul valorilor care reflectă expunerea efectivă, la o evaluare individuală a riscului făcută într-o situație la un loc de muncă asupra cărora nu avem niciun control.

Garanția CP

- 1) Acest produs CP este garantat împotriva defectelor de manoperă sau de materiale, pentru o perioadă maximă de 12 luni următoare datei de cumpărare de la firma CP sau agenții acesteia, cu condiția ca folosirea lui să fie limitată la lucrul într-un singur schimb pe toată această perioadă. Dacă gradul de folosire îl depășește pe cel al lucrului într-un singur schimb, perioada de garanție va fi redusă proporțional.
- 2) Dacă în timpul perioadei de garanție, produsul pare a fi defect din punct de vedere al manoperei sau materialelor, el trebuie să fie returnat la firma CP sau la agenții acesteia, împreună cu o scurtă descriere a presupusului defect. CP va dispune, la propria sa discreție, să repare sau să înlocuiască gratuit astfel de articole care sunt considerate defecte din motive de manoperă sau de materiale necorespunzătoare.
- 3) Această garanție încetează să se aplice la produse care au fost folosite excesiv, folosite greșit sau au fost modificate, sau care au fost reparate folosind alte piese decât piesele de schimb originale CP sau reparate de către altcineva decât CP sau agenții săi de service autorizați.
- 4) Dacă CP este nevoit să facă orice fel de cheltuială pentru corectarea unui defect rezultat din folosirea excesivă, folosirea greșită, deteriorarea accidentală sau modificarea neautorizată, CP va solicita ca o astfel de cheltuială să îi fie plătită în totalitate.
- 5) CP nu acceptă nicio pretenție pentru munca sau alte cheltuieli făcute cu produsele defecte.
- 6) Sunt în mod expres excluse absolut orice daune directe, accidentale sau rezultate drept consecință, provenind din orice defect.
- 7) Această garanție este dată în loc de alte garanții sau condiții explicite sau implicite, pentru calitate, comercializabilitate sau adecvare pentru orice scop particular.
- 8) Nimeni, fie el un agent, funcționar sau angajat al CP, nu este autorizat să adauge sau să modifice în niciun fel termenele și condițiile acestei garanții limitate.

Part no	8940166747	
Issue no	1	
Series no	1	
Date	2010-01	
Page	162	

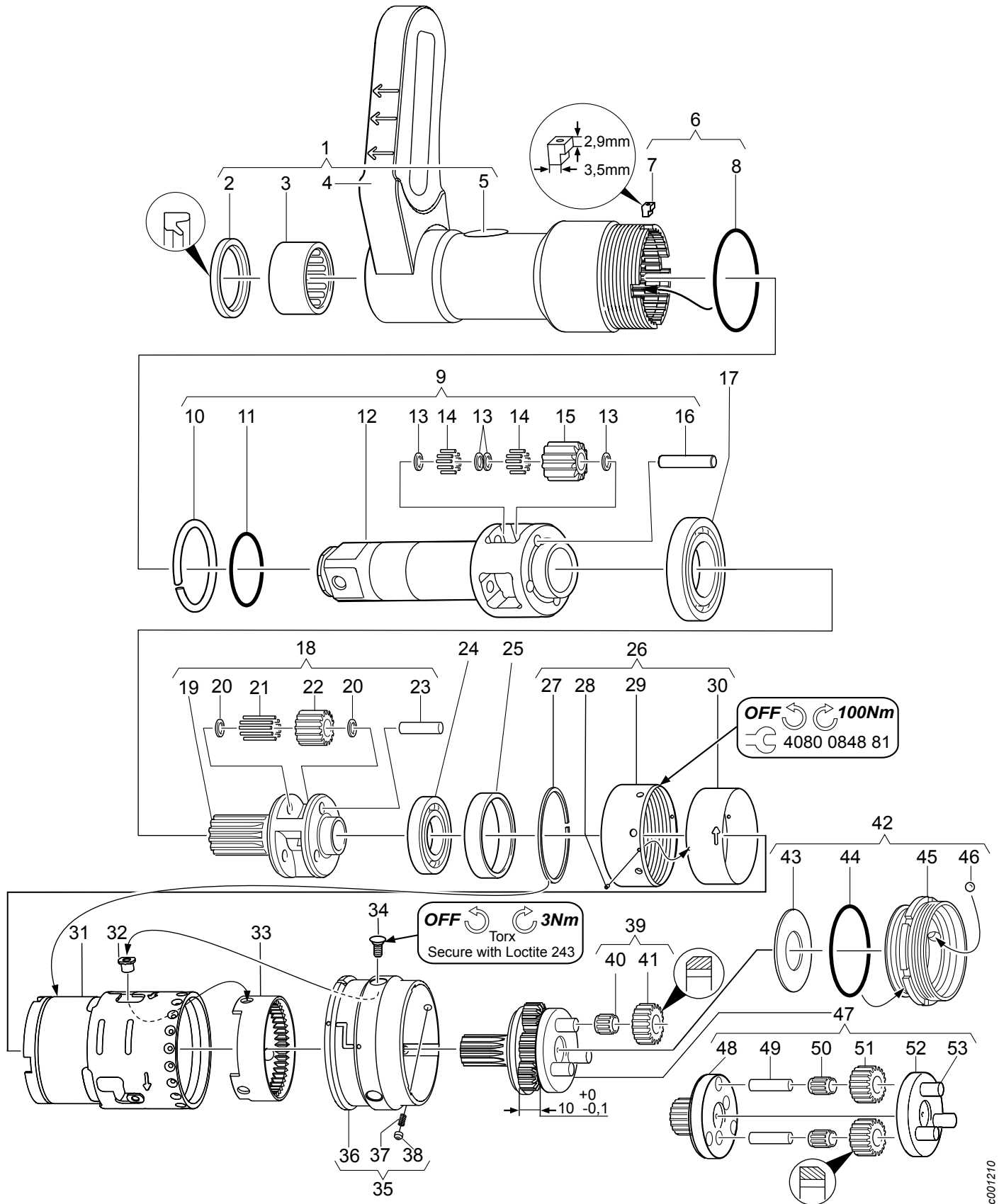
Exploded views/tables

Spare parts

Parts without ordering number are for technical reasons not delivered separately. The use of other than genuine CP replacement parts may result in decreased tool performance and increased maintenance and may, at the company option, invalidate all warranties.



Gear unit - R



Ref. No.	Ordering No.	Qty	Description	Remark / Included in Service kit
1(2-5)	8940 1667 41	1	GEAR BOX COMPL. - R	
2	-	1	Seal ring	G 32x42x4. see kit Gearbox sealing service kit -R

c001210



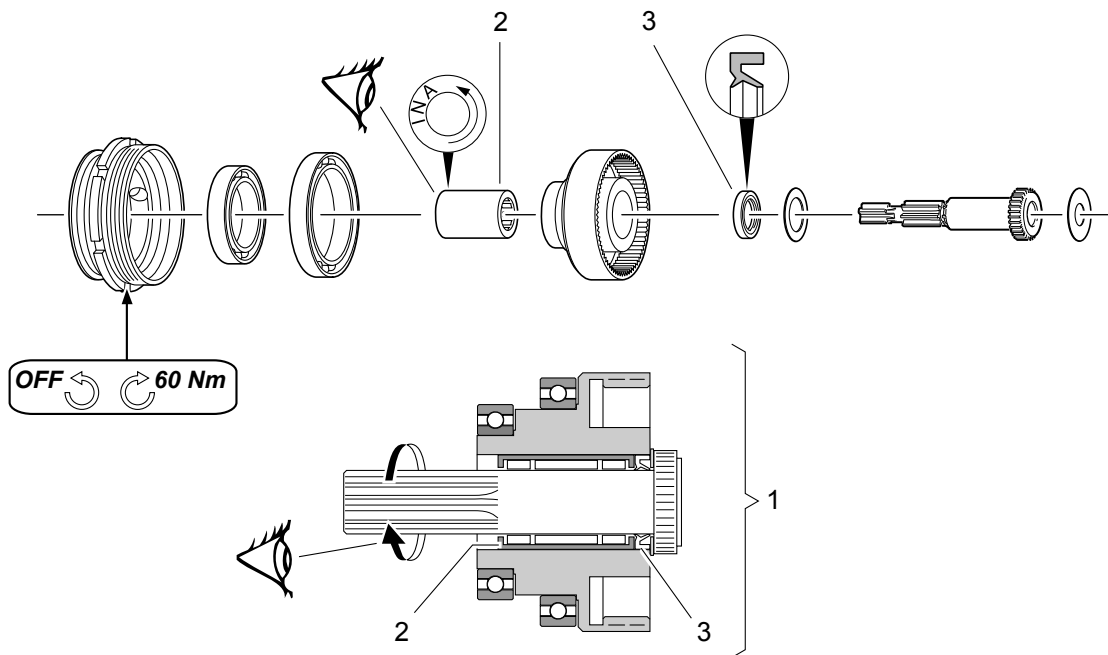
Part no	8940166747	
Issue no	1	
Series no	1	
Date	2010-01	
Page	164	

Ref. No.	Ordering No.	Qty	Description	Remark / Included in Service kit
3	-	1	Needle bearing	B 2012. see kit Gearbox rolling service kit
4	-	1	Eur short reaction arm - R	
5	8940 1679 23	1	Warning sticker (Crushing)	
6(7-8)	8940 1671 56	1	GEAR LOCK UP - R	
7	-	4	Key	
8	-	1	Ring	
9(10-16)	8940 1646 56	1	PLANETARY GEAR ASSEMBLY	
10	8940 1621 93	1	Socket retaining ring	
11	8940 1621 95	1	O-ring	
12	-	1	Planet shaft	
13	-	16	Washer	
14	-	128	Bearing needle	
15	-	4	Gear wheel	z=11
16	-	4	Axle	
17	-	1	Ball bearing	16006. see kit Gearbox rolling service kit
18(19-23)	8940 1671 69	1	PLANETARY GEAR MID	
19	-	1	Planet shaft	
20	-	6	Washer	
21	-	48	Bearing needle	
22	-	3	Gear wheel	z=16
23	-	3	Axle	
24	-	1	Ball bearing	see kit Gearbox rolling service kit
25	-	1	Bushing	see kit Gearbox rolling service kit
26(27-30)	8940 1671 57	1	GEAR RIM UP - R	
27	-	1	Lock ring	sw52
28	-	1	Pin	2x4
29	-	1	Nut	
30	-	1	Casing	
31	-	1	Gear rim	z=47
32	-	3	Pin	
33	8940 1671 61	1	Gear shift rim - R	
34	-	3	Screw	
35(36-38)	8940 1671 62	1	GEAR SHIFT RING - R	
36	-	1	Gear shift ring	
37	8940 1692 38	1	Spring	
38	8940 1692 36	1	Pin	
39(40-41)	8940 1674 08	1	PLANET SHAFT WHEEL LOW - R	
40	-	3	Needle bearing	K7x10x10TN
41	-	3	Gear wheel	z=19
42(43-44)	8940 1671 64	1	GEAR RIM LOW	
43	-	1	Washer	
44	-	1	O-ring	47.6x2.4. see kit Gearbox sealing service kit -R
47(48-53)	8940 1671 68	1	PLANET SHAFT LOW - R	
48	-	1	Planet shaft	
49	-	2	Axle	
50	-	2	Needle bearing	K5x8x10TN
51	-	2	Gear wheel	z=13
52	-	1	Planetary holder	
53	-	3	Axle	

Ref. No.	Ordering No.	Qty	Description	Remark / Included in Service kit
	8940 1671 71	1	GEARBOX SEALING SERVICE KIT - R	
2	-	1	Seal ring	G32x42x4
44	-	1	O-ring	47.6x2.4
	8940 1671 72	1	GEARBOX ROLLING SERVICE KIT	
3	-	1	Needle bearing	B2012
17	-	1	Ball bearing	16006
24	-	1	Ball bearing	
25	-	1	Bushing	



Free wheel unit -R

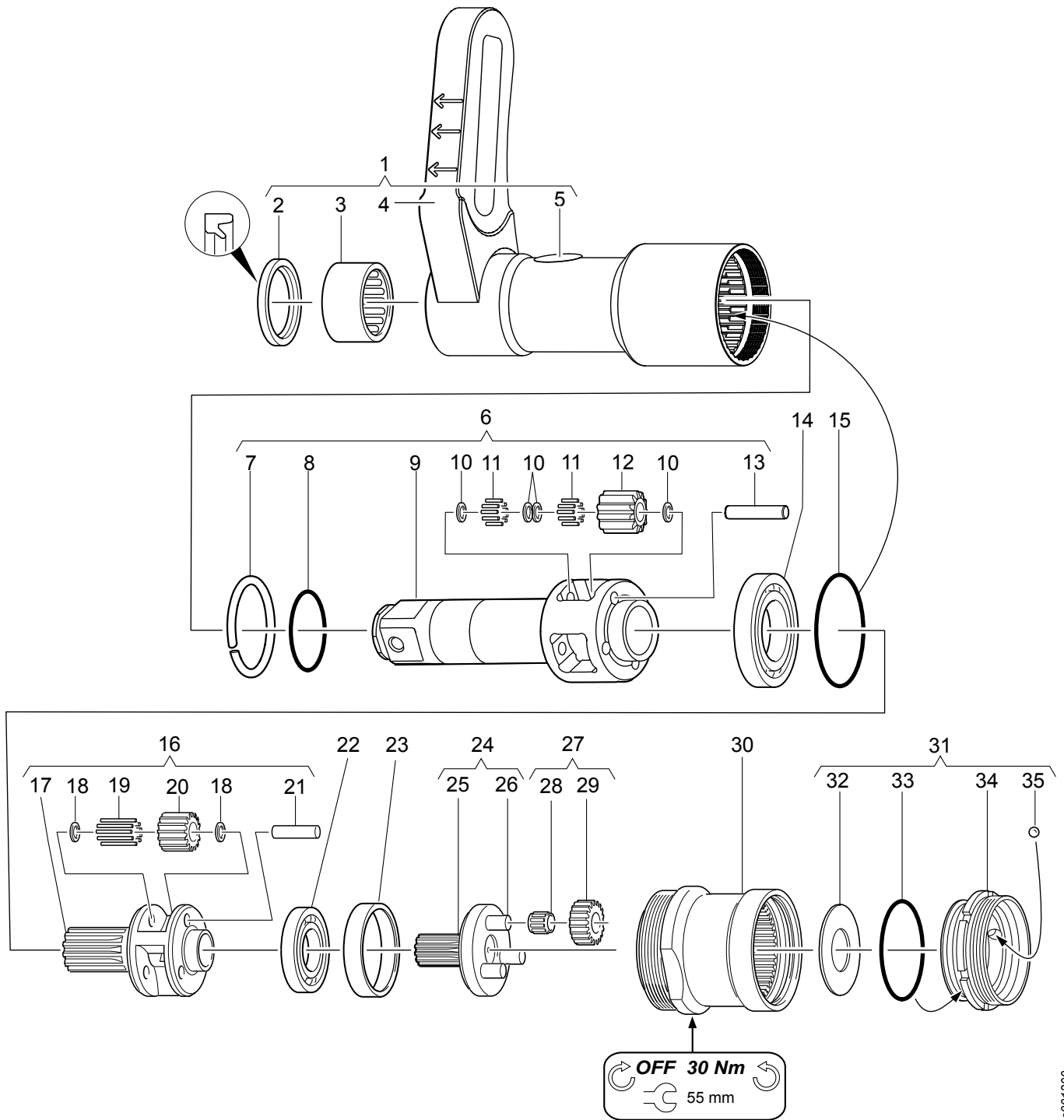


c000711

Ref. No.	Ordering No.	Qty	Description	Remark / Included in Service kit
1(2-3)	8940 1658 56	1	Complete free wheel unit - R	Included in 8940 1646 59
2	-	1	Free wheel	FCB-12 / Service kit 8940 1658 50
3	-	1	Seal ring	SD12x8x3 / Service kit 8940 1658 50



Gear unit - no R



c001200

Ref. No.	Ordering No.	Qty	Description	Remark / Included in Service kit
1(2-5)	8940 1667 44	1	GEAR BOX COMPL.- NO R	
2	-	1	Seal ring	G32x42x4. see kit Gearbox sealing service kit - no R
3	-	1	Needle bearing	B2012. see kit Gearbox rolling service kit
4	-	1	Eur short reaction arm - no R	
5	8940 1679 23	1	Warning sticker (Crushing)	
6(7-13)	8940 1646 56	1	PLANETARY GEAR ASSEMBLY	
7	8940 1621 93	1	Socket retaining ring	
8	8940 1621 95	1	O-ring	
9	-	1	Planet shaft	
10	-	16	Washer	
11	-	128	Bearing needle	



Part no	8940166747
Issue no	1
Series no	1
Date	2010-01
Page	167

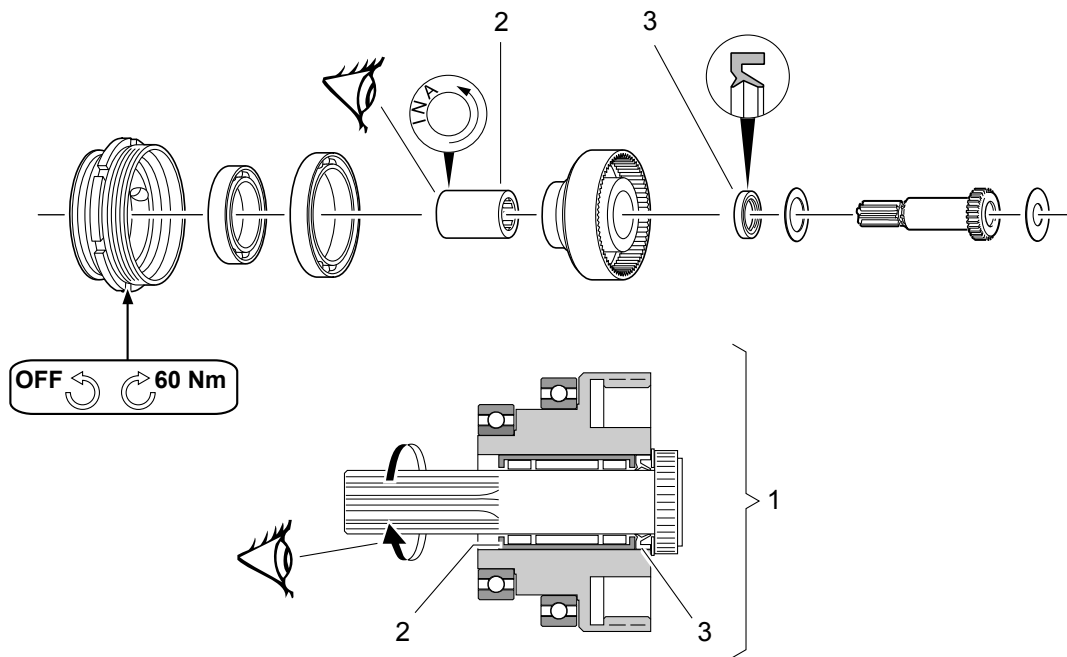
Ref. No.	Ordering No.	Qty	Description	Remark / Included in Service kit
12	-	4	Gear wheel	z=11
13	-	4	Axle	
14	-	1	Ball bearing	16006. see kit Gearbox rolling service kit
15	-	1	O-ring	54x2.5. see kit Gearbox sealing service kit - no R
16(17-21)	8940 1671 69	1	PLANETARY GEAR MID	
17	-	1	Planet shaft	
18	-	6	Washer	
19	-	48	Bearing needle	
20	-	3	Gear wheel	z=16
21	-	3	Axle	
22	-	1	Ball bearing	see kit Gearbox rolling service kit
23	-	1	Bushing	see kit Gearbox rolling service kit
24(25-26)	8940 1671 67	1	PLANET SHAFT LOW - NO R	
25	-	1	Planet shaft	z=13
26	-	3	Axle	
27(28-29)	8940 1671 63	1	PLANET SHAFT WHEEL LOW - NO R	
28	-	3	Needle bearing	K7x10x10NT
29	-	1	Gear wheel	z=19
30	-	1	Gear rim	z=47
31(32-35)	8940 1671 64	1	GEAR RIM LOW	
32	-	1	Washer	
33	-	1	O-ring	47.6x2.4. see kit Gearbox sealing service kit - no R
34	-	1	Bearing ring	see kit Free wheel unit
35	-	32	Ball bearing	5mm

Ref. No.	Ordering No.	Qty	Description	Remark / Included in Service kit
	8940 1671 59	1	GEAR RIM MID - NO R	
15	-	1	O-ring	54x2.5
30	-	1	Gear rim	z=47
33	-	1	O-ring	47.6x2.4
	8940 1671 70	1	GEARBOX SEALING SERVICE KIT - NO R	
2	-	1	Seal ring	G32x42x4
15	-	1	O-ring	54x2.5
33	-	1	O-ring	47.6x2.4
	8940 1671 72	1	GEARBOX ROLLING SERVICE KIT	
3	-	1	Needle bearing	B2012
14	-	1	Ball bearing	16006
22	-	1	Ball bearing	
23	-	1	Bushing	



Part no	8940166747
Issue no	1
Series no	1
Date	2010-01
Page	168

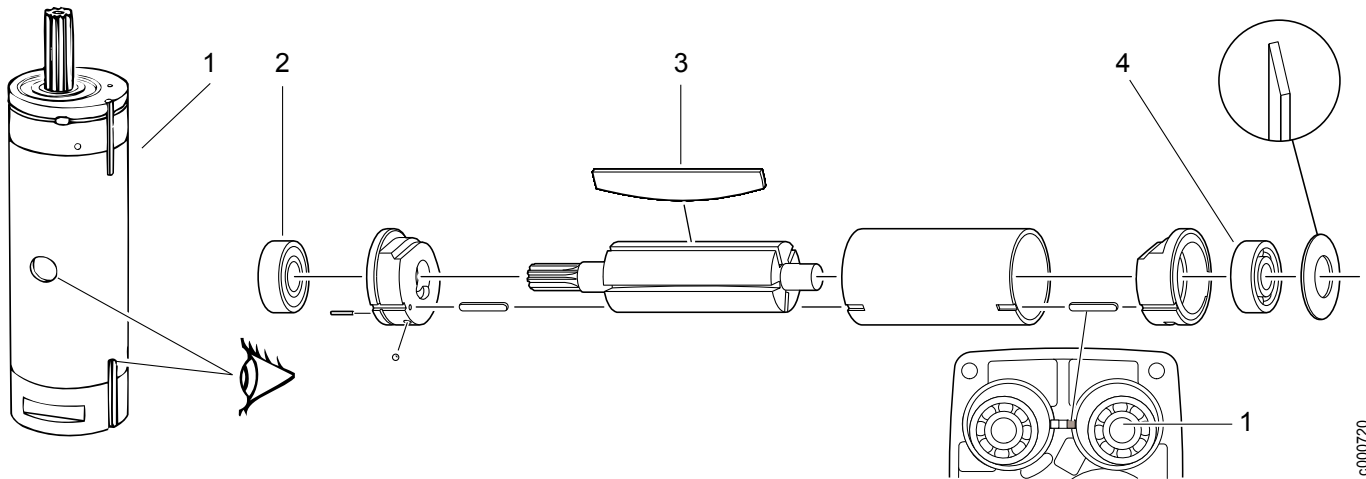
Free wheel unit - no R



c000712

Ref. No.	Ordering No.	Qty	Description	Remark / Included in Service kit
1(2-3)	8940 1658 57	1	Complete free wheel unit - noR	
2	-	1	Free wheel	FCB-12 / Service kit 8940 1658 50
3	-	1	Seal ring	SD12x8x3 / Service kit 8940 1658 50

Tightening motor

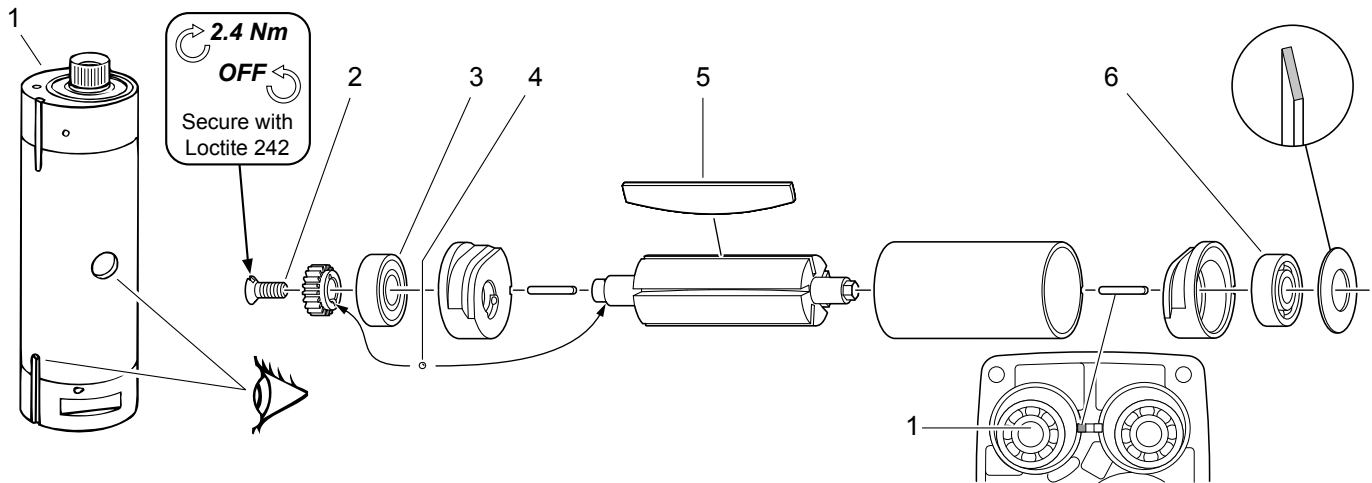


c000720

Ref. No.	Ordering No.	Qty	Description	Remark / Included in Service kit
1(2-4)	8940 1658 58	1	Tightening motor, complete	
2	-	1	Ball bearing	698Z
3	-	5	Vane	Service kit 8940 1658 50
4	-	1	Ball bearing	607 / Service kit 8940 1658 50

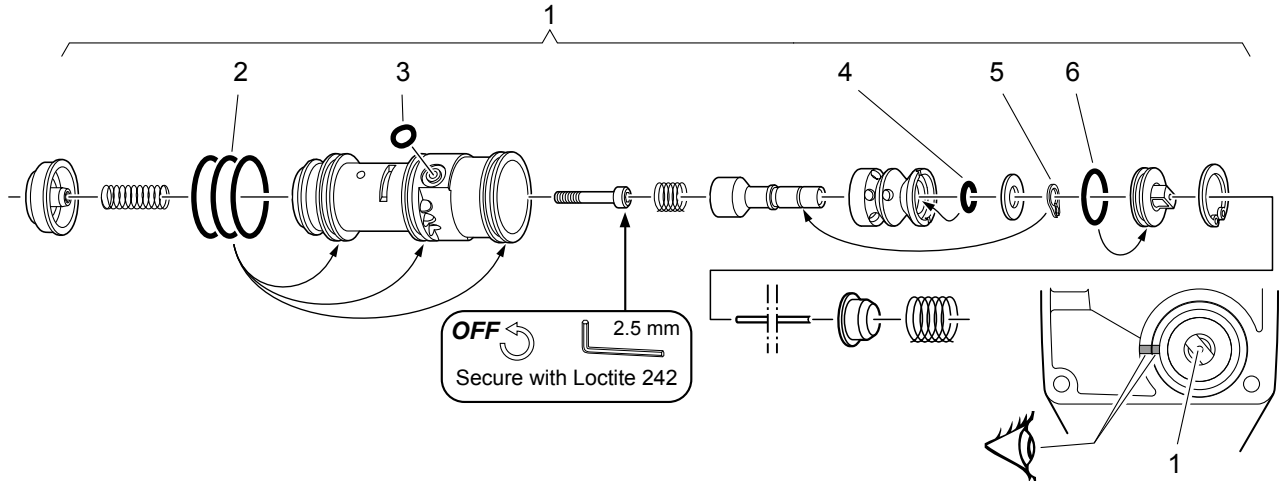


Run down motor



Ref. No.	Ordering No.	Qty	Description	Remark / Included in Service kit
1(2-6)	8940 1658 59	1	Run down motor compl.	
2	-	1	Screw	MFS 4x10 / Service kit 8940 1658 50
3	-	1	Ball bearing	698Z / Service kit 8940 1658 50
4	-	1	Ball	1.5mm / Service kit 8940 1658 50
5	-	5	Vane	Service kit 8940 1658 50
6	-	1	Ball bearing	607 / Service kit 8940 1658 50

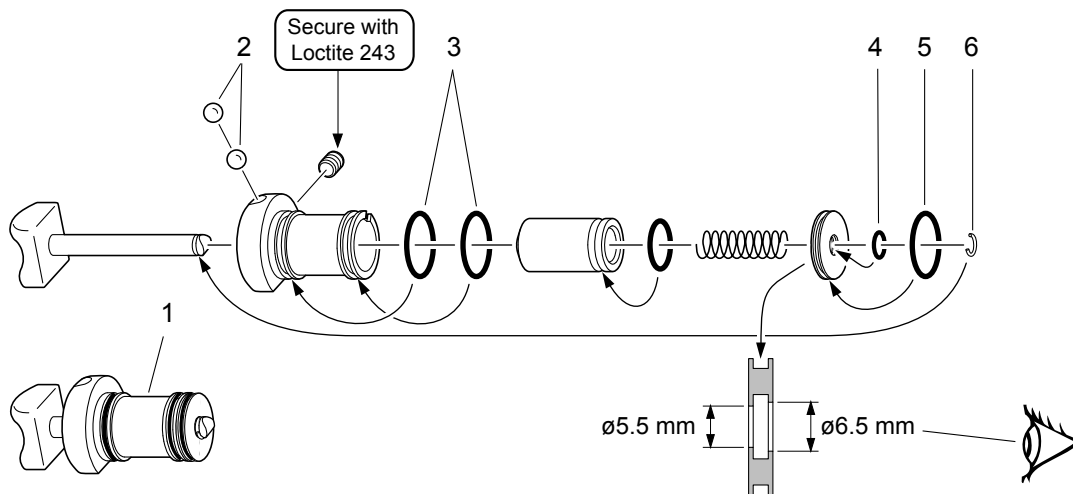
Valve unit



Ref. No.	Ordering No.	Qty	Description	Remark / Included in Service kit
1(2-6)	8940 1658 53	1	Valve unit compl.	
2	-	3	O-ring	19.1x1.6 / Service kit 8940 1658 50
3	-	1	O-ring	4.1x1.6 / Service kit 8940 1658 50
4	-	1	O-ring	5.28x1.78 / Service kit 8940 1658 50
5	-	1	Circlip	
6	-	1	O-ring	12.1x1.6 / Service kit 8940 1658 50

Part no	8940166747
Issue no	1
Series no	1
Date	2010-01
Page	170

Trigger valve

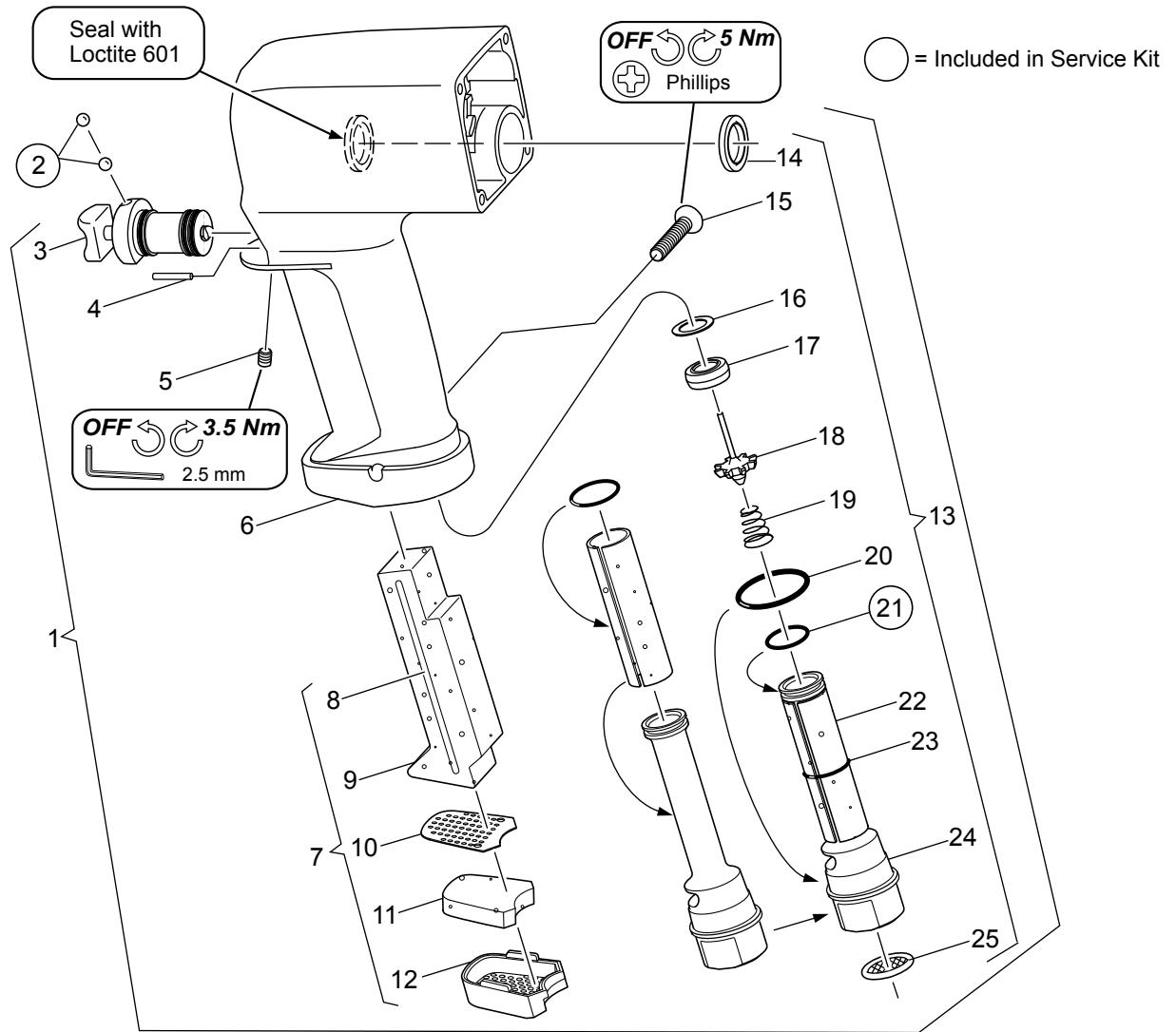


c000750

Ref. No.	Ordering No.	Qty	Description	Remark / Included in Service kit
1(2-6)	8940 1658 54	1	Trigger valve compl.	
2	-	2	Ball	Service kit 8940 1658 50
3	-	2	O-ring	19.1x1.6 / Service kit 8940 1658 50
4	-	1	O-ring	5.1x1.6 / Service kit 8940 1658 50
5	-	1	O-ring	15.1x1.6 / Service kit 8940 1658 50
6	-	1	Lock ring	Service kit 8940 1658 50



Motor casing

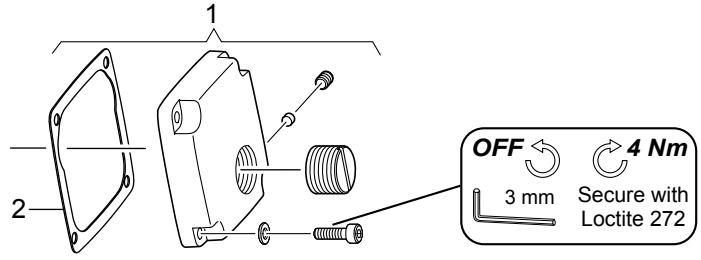


Ref. No.	Ordering No.	Qty	Description	Remark / Included in Service kit
1(3-25)	8940 1658 55	1	Motor casing	
3	8940 1658 54	1	Trigger valve, compl.	
4	-	1	Pin	
5	-	1	Screw	P6SS 5x6
6	-	1	Handle, compl.	
7(8-12)	8940 1671 65	1	Exhaust, compl.	
8	-	1	Filter	
9	-	1	Yoke	
10	-	1	Plate	
11	-	1	Filter	
12	-	1	Silencer	
13(14-25)	8940 1671 66	1	Inlet pipe, compl.	
14	-	1	Seat	
15	-	1	Screw	M6x35
16	-	1	Washer	
17	8940 1692 37	1	Seat	
18	-	1	Walve	
19	-	1	Spring	
20	-	1	O-ring	26.2x2.5
21	-	1	O-ring	15.1x1.6
22	-	1	Filter	
23	-	1	O-ring	12.1x1.6
24	-	1	Inlet pipe	
25	-	1	Strainer	
2	-	2	Ball	5mm / Service kit 8940 1658 50

c000760

Part no	8940166747
Issue no	1
Series no	1
Date	2010-01
Page	172

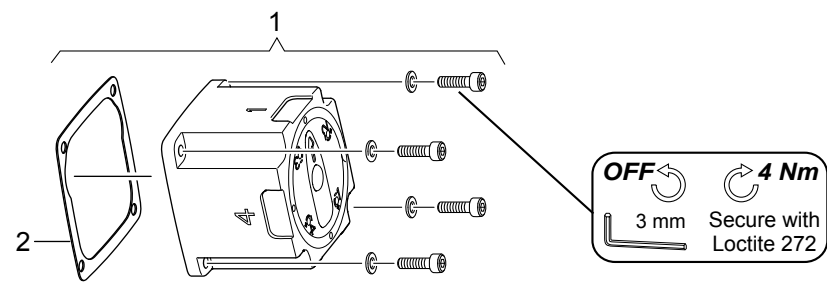
Motor cover



c000780

Ref. No.	Ordering No.	Qty	Description	Remark / Included in Service kit
1	8940 1658 52	1	Motor cover, compl.	CP7600/CP7600-R
2		1	Gasket	Service kit 8940 1658 50

4-position selector

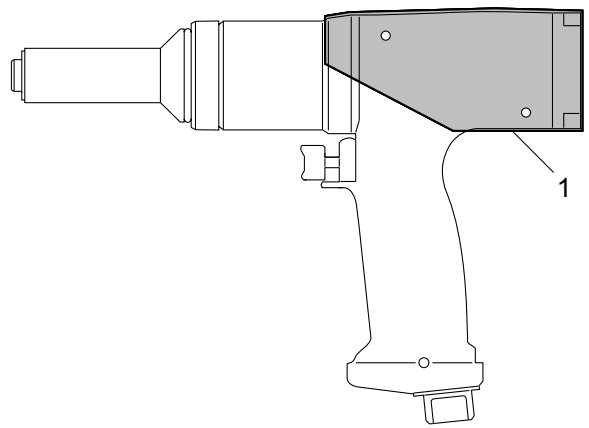


c000770

Ref. No.	Ordering No.	Qty	Description	Remark / Included in Service kit
1	8940 1658 51	1	4-position selector, compl.	CP7600-4P/CP7600-R4P
2		1	Gasket	Service kit 8940 1658 50

Included accessories

Protective covers



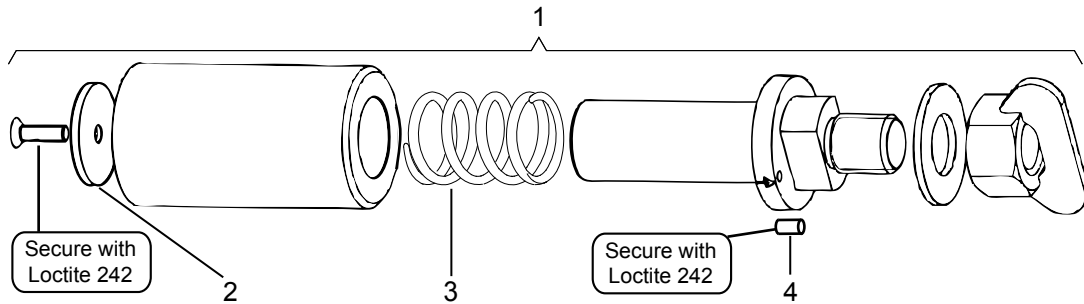
c000790

Ref. No.	Ordering No.	Qty	Description	Remark / Included in Service kit
1	8940 1646 48	1	Black protective cover	for CP7600 with motor cover
1	8940 1646 49	1	Blue protective cover	for CP7600 with motor cover
1	8940 1646 50	1	Black protective cover	for CP7600 with 4-position selector
1	8940 1646 51	1	Blue protective cover	for CP7600 with 4-position selector



Optional accessories

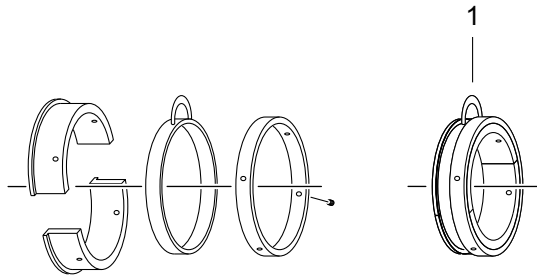
Spring loaded tube



c000920

Ref. No.	Ordering No.	Qty	Description	Remark / Included in Service kit
1	8940 1674 01	1	SPRING LOADED TUBE	For combo 13/16" square - 11/2" hex - to be used with budd wheel socket
1	8940 1646 22	1	SPRING LOADED TUBE	For nut 32-33 metric - to be used with deep socket
2	8940 1646 26	1	Thrust washer	
3	8940 1646 27	1	Spring	
4	8940 1682 91	1	Pin	

Suspension yoke



c000830

Ref. No.	Ordering No.	Qty	Description	Remark / Included in Service kit
1	8940 1666 54	1	Suspension yoke	for CP7600 reverse
1	8940 1666 59	1	Suspension yoke	for CP7600 none reverse

Power sockets

Ref. No.	Ordering No.	Qty	Description	Remark / Included in Service kit
1	8940 1646 76	1	1" Surface drive 30 metric	Square drive
1	8940 1646 77	1	1" Surface drive 32 metric	Square drive
1	8940 1646 78	1	1" Surface drive 33 metric	Square drive
1	8940 1646 79	1	1" Thin wall socket 32 metric deep	Square drive
1	8940 1646 80	1	1" Thin wall socket 33 metric deep	Square drive

Flexible hose kit

Ref. No.	Ordering No.	Qty	Description	Remark / Included in Service kit
1	8940 1667 45	1	Flexible hose kit 1/2" male to 3/8" male	length = 1.20 m

Part no	8940166747	
Issue no	1	
Series no	1	
Date	2010-01	
Page	174	

Service Kits

Service Kit

Ordering No. 8940 1658 50

Ordering No.	Qty	Description	Remark / Included in Service kit
-	1	Screw	
-	1	Circlip	SgA 5
-	2	Ball bearing	607
-	2	Ball bearing	698 Z
-	1	Ball	1.5mm
-	5	Ball	5mm
-	1	O-ring	4.1x1.6
-	1	O-ring	5.1x1.6
-	2	O-ring	11.1x1.6
-	1	O-ring	12.1x1.6
-	4	O-ring	15.1x1.6
-	3	O-ring	19.1x1.6
-	1	O-ring	5.28x1.78
-	1	Seal ring	
-	1	Free wheel	
-	10	Vane	
-	1	Bushing	
-	1	Lock ring	
-	1	Gasket	

Kit for a variety of products. Some parts might remain unused.

Lubrication for pneumatic tools

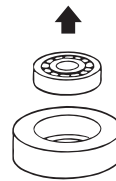
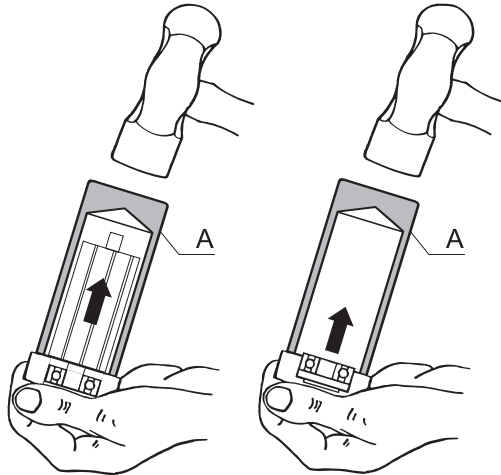
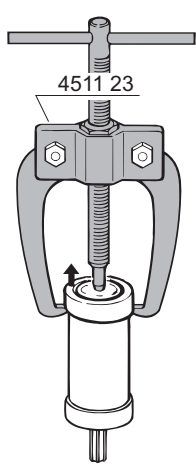
Ordering No.	Qty	Description	Remark
CA00 0046	1	Protecto-Lube oil SAE #10	591 cc (20 oz)
CA14 9661	1	Protecto-Lube oil SAE #10	118 cc (4 oz)



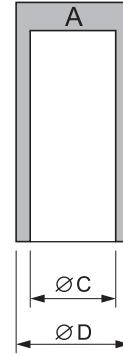
Dismantling/inspection/assembly

Instructions for vane motor

Dismantling



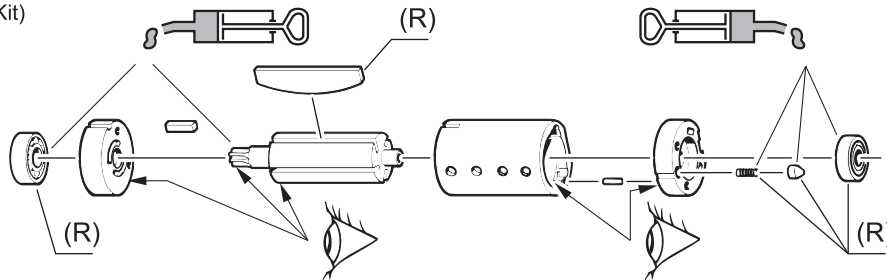
Dismantling tool Mandrel A



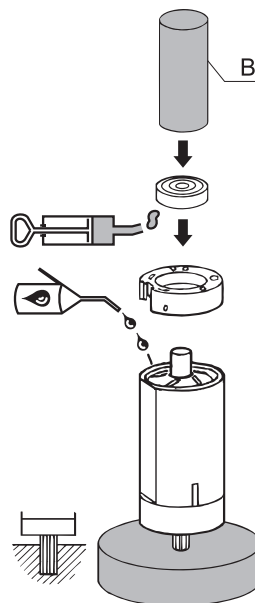
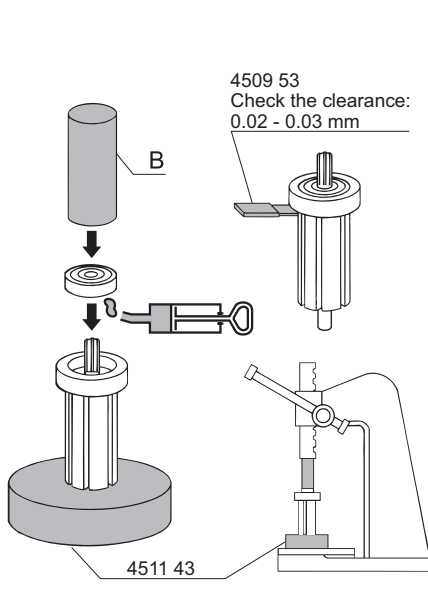
Ordering No.	Ø D	Ø C
4509 73	26	20.5
4509 83	30	25.5
4509 93	35	30.5
4510 13	40	35.5
4510 33	47	40.5

Inspection and lubrication

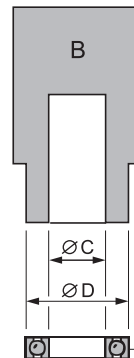
(R) = To be replaced at every overhaul
(included in Service Kit)



Assembly



Assembly tool Mandrel B



Ordering No.	Ø D	Ø C
4511 63	15.5	5.2
4540 43	18.5	8.2
4540 43	18.5	8.2
2050 5145 33	21.5	7.2
4595 93	25.5	10.5
4596 03	27.5	12.5
4596 03	27.5	12.5
4596 13	31.5	15.5
4596 13	31.5	15.5
2050 5145 13	34.5	18.5

cs001070



CP Chicago Pneumatic
ZAC de la lorie - 38
rue Bobby Sands 44800 Saint Herblain, France
www.cp.com

Part no 8940166747
Issue no 1
Series no 1
Date 2010-01
Page 179

8941076030, 8941076031, 8941076034, 8941076035

 WARNING - ATTENTION - WARNUNG - ATENCIÓN - ATENÇÃO - ATTENZIONE - WAARSCHUWING - ADVARSEL - ADVARSEL - VAROITUS - VARNING - ΠΡΟΕΙΔΟΠΟΙΗΣΗ - 警告 - VAROVÁNÍ - FIGYELMEZTETÉS - 警告 - ĮSPĖJIMAS - ПРЕДУПРЕЖДЕНИЕ - BRĪDINĀJUMS - UWAGA - VÝSTRAHA - OROZORILO - ПРЕДУПРЕЖДЕНИЕ - UPOZORENJE - AVERTIZARE 	
EL	ΓΙΑ ΝΑ ΠΕΡΙΟΡΙΣΤΕΙ Ο ΚΙΝΔΥΝΟΣ ΤΡΑΥΜΑΤΙΣΜΟΥ, ΠΡΙΝ ΑΠΟ ΚΑΘΕ ΧΡΗΣΗ Ή ΕΠΙΣΚΕΥΗ ΤΟΥ ΕΡΓΑΛΕΙΟΥ, ΔΙΑΒΑΣΤΕ ΚΑΙ ΚΑΤΑΝΟΗΣΤΕ ΤΙΣ ΠΑΡΑΚΑΤΩ ΠΛΗΡΟΦΟΡΙΕΣ, ΚΑΘΩΣ ΚΑΙ ΤΙΣ ΟΔΗΓΙΕΣ ΑΣΦΑΛΕΙΑΣ, ΟΙ ΟΠΟΙΕΣ ΣΥΜΠΕΡΙΛΑΜΒΑΝΟΝΤΑΙ Ή ΠΑΡΕΧΟΝΤΑΙ ΞΕΧΩΡΙΣΤΑ
CN	为了降低受伤的风险，在使用或维修工具前，请阅读并理解 以下信息以及随附的或单独提供的安全操作规程
CS	ABYSTE OMEZILI RIZIKO ZRANĚNÍ, PŘEČTĚTE SI JEŠTĚ PŘED POUŽITÍM NÁSTROJE NÁSLEDUJÍCÍ INFORMACE, STEJNĚ JAKO PŘILOŽENÉ NEBO SAMOSTATNĚ DODANÉ BEZPEČNOSTNÍ POKYNY, A POROZUMĚJTE JIM
HU	A SÉRÜLÉSEK KOCKÁZATÁNAK CSÖKKENTÉSÉRE, AZ ESZKÖZ HASZNÁLATA VAGY SZERVIZELÉSE ELŐTT, OLVASSA EL ÉS ÉRTSE MEG A KÖVETKEZŐ INFORMÁCIÓKAT, ILLETVE A BENNE TALÁLHATÓ VAGY KÜLÖN BIZTOSÍTOTT BIZTONSÁGI UTASÍTÁSOKAT
JP	けがの危険性を軽減するため、ツールを使用・修理する前に付属または別途支給の安全注意説明書および以下の情報を読み、その内容を理解してください
LT	KAD SUMAŽINTUMĖTE SUŽALOJIMO RIZIKĄ, PRIEŠ NAUDODAMI ĮRANKĮ AR ATLIKDAMI JO TECHNINĘ PRIEŽIŪRĄ, ATIDŽIAI PERSKAITYKITE TOLIAU PATEIKTĄ INFORMACIJĄ IR PRIDĖTAS ARBA ATSKIRAI PATEIKIAMAS SAUGOS INSTRUKCIJAS
RU	ДЛЯ СНИЖЕНИЯ РИСКА ТРАВМАТИЗМА, ПЕРЕД ТЕМ КАК ПОЛЬЗОВАТЬСЯ ИНСТРУМЕНТОМ ИЛИ ПРОВОДИТЬ ОБСЛУЖИВАНИЕ, ПРОЧТИТЕ И ОСМЫСЛИТЕ СЛЕДУЮЩУЮ ИНФОРМАЦИЮ, А ТАКЖЕ ВХОДЯЩИЕ В КОМПЛЕКТ ИЛИ ПРЕДОСТАВЛЯЕМЫЕ ОТДЕЛЬНО ИНСТРУКЦИИ ПО БЕЗОПАСНОСТИ
LV	LAI MAZINĀTU TRAUMU RISKU, PIRMS APKOPES INSTRUMENTA LIETOŠANAS IZLASIET UN IZPROTIET TURPMĀKO INFORMĀCIJU, KĀ ARĪ KOMPLEKTĀCIJĀ IEKĻAUTO VAI ATSEVIŠĶI NODROŠINĀTO DROŠĪBAS INFORMĀCIJU
PL	ABY OGRANICZYĆ RYZYKO OBRAŻEŃ, PRZED ROZPOCZĘCIEM KORZYSTANIA Z NARZEDZIA SERWISOWEGO NALEŻY DOKŁADNIE ZAPOZNAĆ SIĘ Z PONIŻSZYMI INFORMACJAMI ORAZ DOŁĄCZONYMI INSTRUKCJAMI BEZPIECZEŃSTWA
SK	ABY STE ZNÍŽILI RIZIKO ZRANENIA, PREČÍTAJTE SI A POROZUMEJTE, PRED POUŽITÍM ALEBO VYKONANÍM SERVISU, NASLEDUJÚCE INFORMÁCIE AKO AJ DODANÉ ALEBO SAMOSTATNE POSKYTNUTÉ BEZPEČNOSTNÉ POKYNY
SL	DA BI ZMANJŠALI TVEGANJE ZA POŠKODBE, PRED UPORABO SERVISNEGA ORODJA PREBERITE IN RAZUMITE SPODNJE INFORMACIJE TER VARNOSTNA NAVODILA, KI SO PRILOŽENA ALI SO DOSTAVLJENA LOČENO
BG	ЗА ДА НАМАЛИТЕ РИСКА ОТ НАРАНЯВАНЕ, ПРЕДИ ДА ИЗПОЛЗВАТЕ ИНСТРУМЕНТА ИЛИ ПРЕДИ ИЗВЪРШВАНЕ НА ТЕХНИЧЕСКА ПОДДРЪЖКА ПРОЧЕТЕТЕ ИНФОРМАЦИЯТА ПО-ДОЛУ, КАКТО И ВКЛЮЧЕНИТЕ ИЛИ ОТДЕЛНО ПРЕДОСТАВЕНИ ИНСТРУКЦИИ ЗА БЕЗОПАСНОСТ
HR	DA BI SE SMANJIO RIZIK OD POVREDE, PRIJE KORIŠTENJA ILI SERVISIRANJA ALATA MORATE PROČITATI I RAZUMJETI SLIJEDEĆE INFORMACIJE, KAO I ODVOJENO PRILOŽENE SIGURNOSNE UPUTE
RO	PENTRU A REDUCE RISCUL VĂTĂMĂRII, ÎNAINTE DE A FOLOSI SAU DE A EFECTUA O INTERVENȚIE DE SERVICE ASUPRA APARATULUI, CITIȚI ȘI ÎNȚELEGEȚI URMĂTOARELE INFORMAȚII, PRECUM ȘI INSTRUCȚIUNILE DE SIGURANȚĂ INCLUSE ÎN PACHET SAU OFERITE SEPARAT

