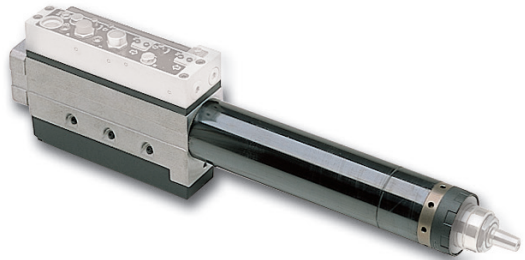




AFD415





AFD415-490
 AFD415-790
 AFD415-1250
 AFD415-2100
 AFD415-3400
 AFD415-5400
 AFD415-7000
 AFD415-18000



WARNING



EN	To reduce the risk of injury, before using or servicing tool, read and understand the following information as well as separately provided safety instructions (Item number: 354343).	22
FR	AVERTISSEMENT Avant toute utilisation ou intervention sur l'outil, veillez à ce que les informations suivantes ainsi que les instructions fournies dans le guide de sécurité (Code article : 354343) aient été lues, comprises et respectées.	26
ES	ADVERTENCIA Antes de utilizar la herramienta o intervenir sobre ella, asegúrese de que la información que figura a continuación, así como las instrucciones que aparecen en la guía de seguridad (Código artículo: 354343) han sido leídas, entendidas y respetadas.	30
DE	WARNUNG Werkzeuge erst benutzen, wenn die nachstehenden Hinweise und die Regeln des Sicherheitsleitfaden (Artikel-Nr. 354343) gelesen und verstanden wurden.	34
IT	AVVISO Prima di qualsiasi utilizzazione o intervento sull'attrezzo, verificate che le informazioni che seguono e le istruzioni contenute nella guida di sicurezza (Codice articolo: 354343) siano state lette, comprese e rispettate.	38
PT	AVISO Antes de utilizar ou intervir na ferramenta, leia atentamente e respeite as informações seguintes assim como as instruções fornecidas no manual de segurança (Código artigo: 354343).	42
FI	VAROITUS Lue huolellisesti seuraavat ohjeet samoin kuin turvallisuusohjeet (Tuotekoodi : 354343) ennen työkalun käyttöönottoa.	46
SV	VARNING Läs noga igenom dessa säkerhetsinstruktioner liksom anvisningarna i säkerhetsguiden (Artikelkod: 354343) innan du börjar använda verktyget.	49

NO	ADVARSEL Før enhver bruk eller reparasjon av verktøyet skal de følgende instruksjonene og forskriftene i sikkerhetsheftet (artikkelnummer: 354343) leses nøye.	 52
DA	VARELSE Læs omhyggeligt, forstå og overhold disse instruktioner samt sikkerhedsforskrifterne (Varenummer: 354343), inden værktøjet tages i brug eller repareres.	 55
NL	WAARSCHUWING Voor gebruik of demontage van het gereedschap altijd eerst zekerstellen dat de navolgende informatie evenals de geleverde veiligheidsinstructies (Code artikel: 354343) gelezen, begrepen en in acht genomen zijn.	 58
EL	ΠΡΟΕΙΔΟΠΟΙΗΣΗ Πριν από οποιαδήποτε χρήση ή επέμβαση στο εργαλείο, διαβάστε προσεκτικά, κατανοήστε και τηρήστε τις παρακάτω πληροφορίες, καθώς και τις οδηγίες που περιλαμβάνονται στο εγχειρίδιο ασφαλείας (Κωδικός προϊόντος: 354343).	 62

Find more information and your Desoutter contacts on:

www.desouttertools.com

Software and documentation available at:

<http://resource-center.desouttertools.com>

AFDE200-230	AFD205-215	AFDE400-410-430-440	AFD415	AFDE610-620-640	AFD625	AFTE480
-------------	------------	---------------------	--------	-----------------	--------	---------

List of special kits

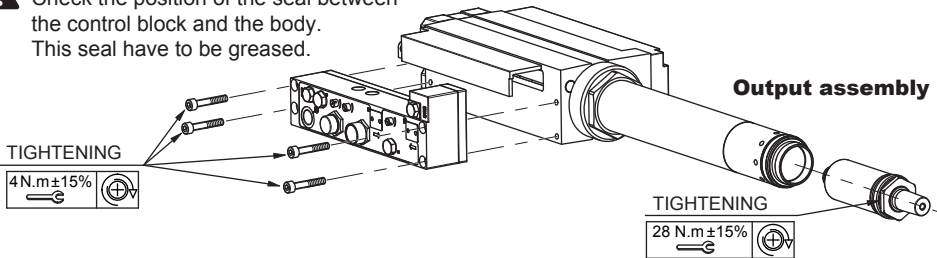
Kit	Designation	Part Number.	Tool						
AFSPK	Air feed small parts kit	2050544833		X		X			
BK	Bearing kit	438433			X		X	X	X
GBSK	Gear box service kit	2050544753		X		X			
MSK	Motor service kit	2050544793		X					
ORK	O-Ring kit	2050559143				X			
ORK	O-Ring kit	2050559153	X						
ORK	O-Ring kit	2050544873		X					
ORSK	O-Ring and seal kit	2050545383					X	X	
SK	Seal kit	438443					X		
SK	Seal kit	438463			X				
SCK	Screw kit	2050542663	X	X	X	X	X	X	X
SPK	Small parts kit	2050542653	X	X	X	X	X	X	X

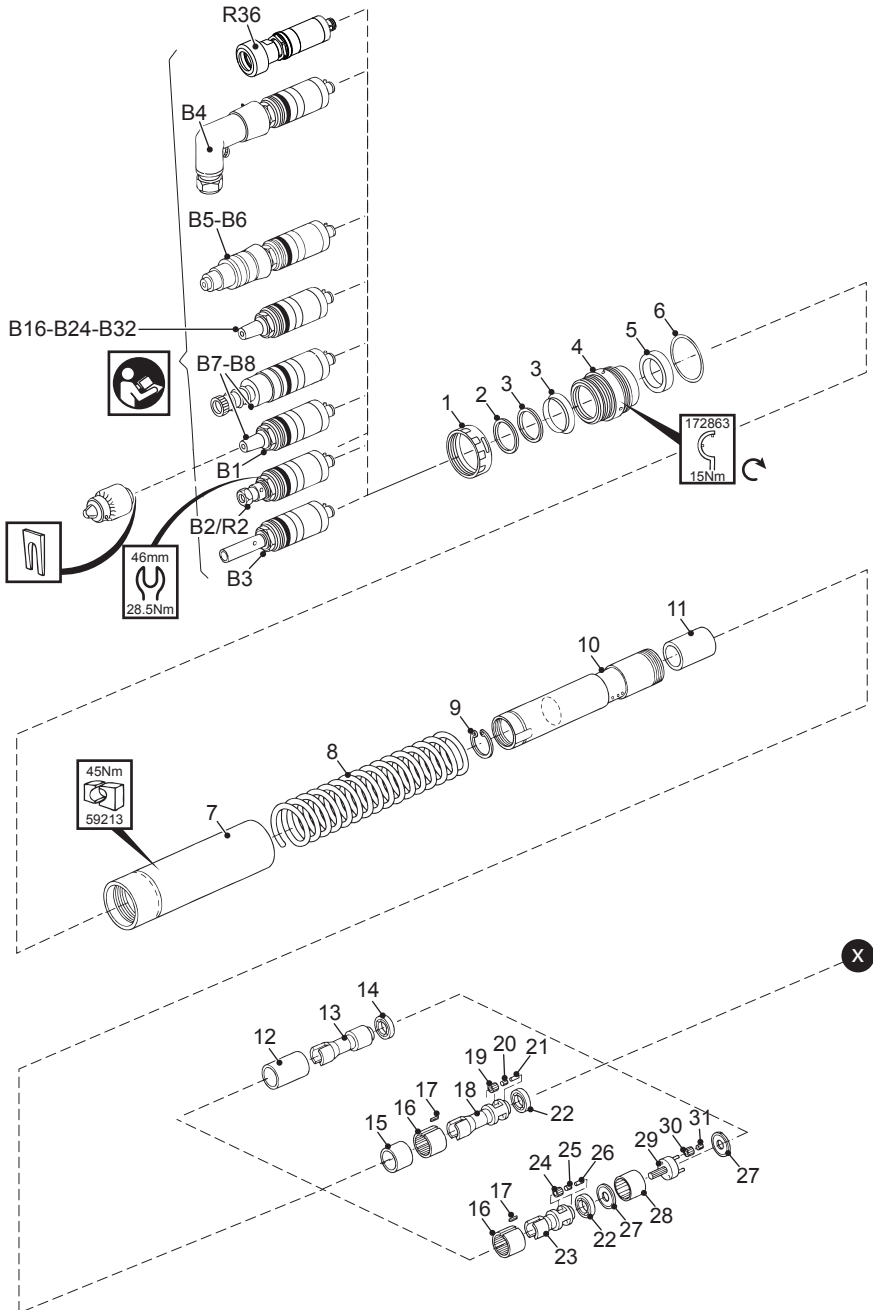
Control block assembly

Be careful:

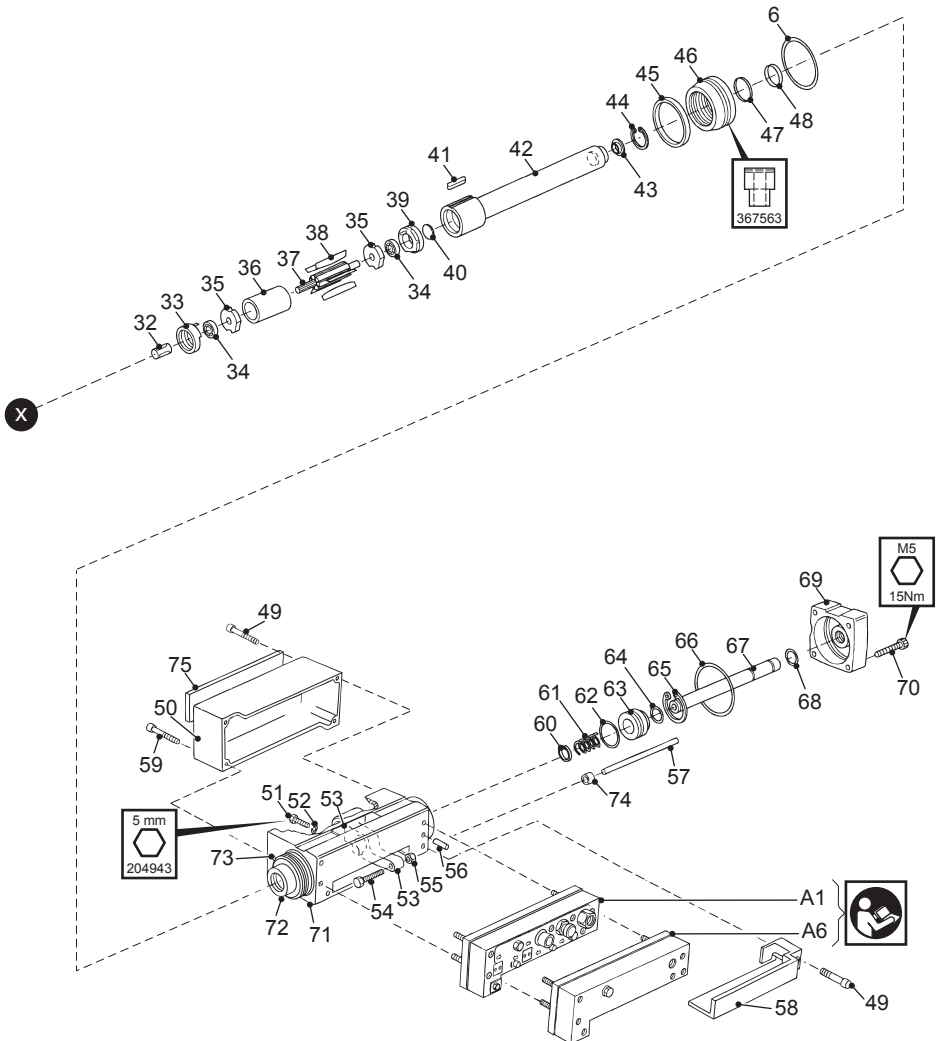


Check the position of the seal between the control block and the body.
This seal have to be greased.





X



Item	Description	Comp	Part Number	Qty	Wear		
					High	Medium	Low
32	Pinion 7000		299153	1			X
32	Pinion 5400		306473	1			X
32	Pinion 2100		306553	1			X
32	Pinion 1250		306543	1			X
37	Rotor 2100,1250		306503	1			X
37	Rotor 18000		258763	1			X
37	Rotor 790,490		266553	1			X
37	Rotor 7000,5400		306513	1			X
37	Rotor 3400		299213	1			X
A	CAP-SLEEVE KIT AFD400		2050544953		X		
1	Thread protecting cap		286153	1			X
2	Seal	SK	-	1			
3	Seal		322433	1			
4	Bearing sleeve		410803	1			X
5	Felt seal	SK	-	1			
6	O-Ring 50.52X1.78	SK	50783	1			
B	OUTER CASE KIT AFD400		2050544963				X
7	Outer case		464023	1			X
8	Spring		-	1			
9	Circlip int 32X1.20	SPK	-	5			
10	Quill		322693	1			X
11	Spacer		-	1			
C	GEAR BOX 1 / 18000 RPM		2050544973				X
12	Spacer		349813	1			X
13	Drive shaft		-	1			
14	Bearing		2413	1	X		
D	GEAR BOX 2 / 7000 RPM		2050544983			X	
15	Distance spacer		322813	1			X
16	Gear ring		299163	1			X
17	Key		308943	1		X	
18	Cage planet		322793	1			X
19	Wheel planet 13T		299073	3	X		
20	Bearing caged 2.5X4.5X10mm	GBSK	298893	3			
21	Roller 2.5X17.8mmLG	GBSK	-	3			
22	Bearing 17X26X5	GBSK	-	1			
32	Pinion 7000		299153	1			X

Item	Description	Comp	Part Number	Qty	High	Medium	Low
					Wear		
E	GEAR BOX 3 / 5400 RPM		2050544993			X	
15	Distance spacer		322813	1			X
16	Gear ring		299163	1			X
17	Key		308943	1		X	
18	Cage planet		322783	1			X
19	Wheel planet 15T		299093	3	X		
20	Bearing caged 2.5X4.5X10mm	GBSK	298893	3	X		
21	Roller 2.5x17.8mm LG	GBSK	-	3			
22	Bearing 17X26X5	GBSK	-	1			
32	Pinion 5400		306473	1			X
F	GEAR BOX 4 / 3400 RPM		2050545003			X	
15	Distance spacer		322813	1			X
16	Gear ring		299163	1			X
17	Key		308943	1		X	
18	Cage planet		322773	1			X
19	Wheel planet 18T		299093	3	X		
20	Bearing caged 3.5X5.5X10mm	GBSK	251663	3			
21	Pin planet		251503	3		X	
22	Bearing 17X26X5	GBSK	-	1	X		
G	GEAR BOX 5 / 2100 RPM		2050545013			X	
16	Gear ring		299163	1			X
17	Key		308943	1		X	
22	Bearing 17X26X5	GBSK	-	1			
23	SC40 cage planet		322763	1			X
26	Roller 2.5x17.8mm LG	GBSK	-	3			
27	Washer 11.5X28.4X2	GBSK	-	2			
28	Gear ring		306313	1			X
29	Carrier assembly		306683	1			X
24/30	Wheel planet 13T		299073	6	X		
25/31	Bearing caged 2.5X4.5X10mm	GBSK	298893	6	X		
32	Pinion 2100		306553	1			X
H	GEAR BOX 6 / 1250 RPM		2050545023			X	
16	Gear ring		299163	1			X
17	Key		308943	1		X	
22	Bearing 17X26X5	GBSK	-	1			
23	SC40 cage planet		322753	1			X
26	Roller 2.5X17.8mm LG	GBSK	-	3			
27	Washer 11.5X28.4X2	GBSK	-	2			
28	Gear ring		306313	1			X

Item	Description	Comp	Part Number	Qty	Wear		
					High	Medium	Low
29	Carrier assembly		306693	1			X
24/30	Wheel planet 18T		299093	6	X		
25/31	Bearing caged 2.5X4.5X10mm	GBSK	298893	6	X		
32	Pinion 1250		306543	1			X
I	GEAR BOX 7 / 790 RPM		2050545033			X	
16	Gear ring		299163	1			X
17	Key		308943	1		X	
22	Bearing 17X26X5	GBSK	-	1			
23	SC40 cage planet		322753	1			X
24	Wheel planet 13T		299093	6	X		
25	Bearing caged 2.5X4.5X10mm	GBSK	298893	6	X		
26	Roller 2.5X17.8mm LG	GBSK	-	3			
27	Washer 11.5X28.4X2	GBSK	-	2	X		
28	Gear ring		306313	1			X
29	Carrier assembly		306703	1			X
30	Wheel planet 21T		299113	6	X		
31	Bearing caged 3.5X5.5X10mm	GBSK	251663	6			
J	GEAR BOX 8 / 490 RPM		2050545043			X	
16	Gear ring		299163	1			X
17	Key		308943	1			X
22	Bearing 17X26X5	GBSK	-	1			
23	SC40 cage planet		322743	1			X
24	Wheel planet 13T		299093	6	X		
25	Bearing caged 2.5X4.5X10mm	GBSK	-	6			
26	Pin planet		251503	3		X	
27	Washer 11.5X28.4X2	GBSK	-	2			
28	Gear ring		306313	1			X
29	Carrier assembly		306713	1			X
30	Wheel planet 21T		299113	6	X		
31	Bearing caged 3.5X5.5X10mm	GBSK	251663	6			
L	MOTOR KIT		2050545053		X		
36	Cylinder "D"		254853	1	X		
46	Piston		322153	1			X
38	Rotor blade		36613	5	X		
L1	HOUSING FRONT KIT		2050544773		X		
33	Housing assy		-	1			
34	Bearing 1/4" X 5/8" X 3/16"		33433	2	X		
35	Plate bearing		-	1			

Item	Description	Comp	Part Number	Qty	High	Medium	Low
					Wear		
L2	HOUSING REAR KIT		2050544783		X		
34	Bearing 1/4" X 5/8" X 3/16"		33433	2	X		
35	Plate bearing		-	1			
39	Housing rear bearing (D)		-	1			
40	Cap		-	1			
M	DRIVE KIT		2050545063				X
41	Key		-	1			
42	Extension tube		322703	1			
43	Seal	ORK	-	1			
44	Circlip	SPK	322603	1			
45	Seal (S0510-80)		322443	1			
46	Piston		322153	1			X
47	O-Ring 21.89X2.62	SK	-	1			
48	Seal		-	1			
6	O-Ring 50.52X1.78	SK	50783	1			
N	GUIDE ROD KIT		2050542623				X
74	Bush	SPK	-	1			
57	Guide rod		-	1			
O	CONTROL KIT		2050545073			X	
44	Circlip	SPK	322603	1			X
49	Screw M5X30LG	SCK	-	2			
50	HCU cover		325103	1		X	
51	Screw M6X20LG	SCK	-	2			
52	Spring washer	SPK	-	2			X
53	Crosshead		394523	1			X
55	Nut M6		223203	1			X
56	Pin actuating	SPK	432743	1		X	
71	Control housing		-	1			
69	Screw M6X80LG	SCK	-	1			X
73	Stop pin	SPK	-	1			
P	CROSSHEAD COVER KIT		2050544863				X
49	Screw M5X30LG	SCK	-	2			
58	Crosshead cover		-	1			
Q	AIR FEED KIT		2050544843				X
62	O-Ring 24X2.5	ORK	-	1			
63	Air inlet plate		322733	1			X
64	O-Ring 12X2.5X70	ORK	-	1			
66	O-Ring 49.0X1.5 70	ORK	-	1			

High	Medium	Low
		X
		X

Item	Description	Comp	Part Number	Qty
67	Air feed tube		322713	1
68	O-Ring	ORK	-	1
80	End cap		322723	1
V	AFD-BDU SERVICE KIT		360043	
-	Spanner 10mm A/F		-	1
-	Allen key 4.0mm A/F		-	1
-	Allen key 5.0mm A/F HEX		-	1

	AIR FEED SMALL PARTS KIT	AFSPK	2050544833	
65	Circlip int 28X1.2		-	1
60	Circlip ext 11X1		-	1
61	Spring (inlet valve)		-	1
70	Screw M6X25LG		-	4

	GEAR BOX SERVICE KIT	GBSK	2050544753	
21	Roller 2.5X17.8mm		-	6
22	Bearing 17X26X5		-	1
25	Bearing caged 2.5X4.5X10mm		298893	6
27	Washer 11.5X28.4X2		-	2
31	Bearing caged 3.5X5.5X10mm		251663	3

	O-RING KIT	ORK	2050559143	
-	Seal		322433	1
6	O-Ring 50.52x1.78		50783	2
47	O-Ring 21.89X2.62		67823	-
45	Seal		322443	1
48	Seal		322453	1
-	O-Ring 27.1X1.6		203423	1
-	Seal		323393	1
62	O-Ring 24X2.5		323473	1
64	O-Ring 12X2.5		323483	1
68	O-Ring		323493	1
-	O-Ring 49.0X1.5		188893	1

	X	

		X
		X

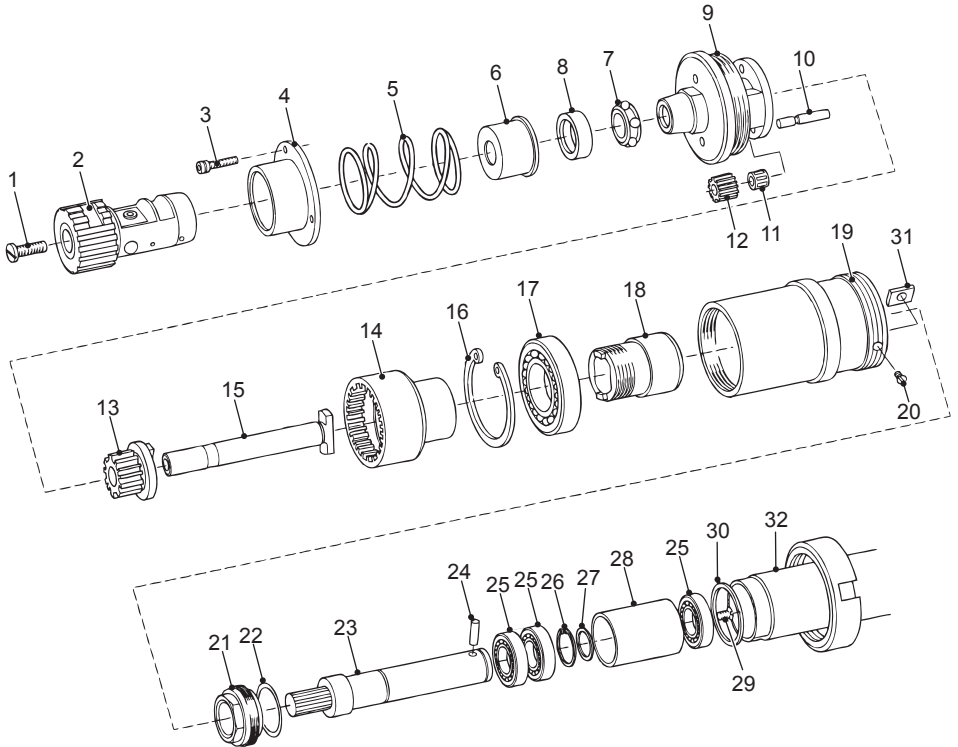
	X	

					High	Medium	Low
					Wear		
	Description	Comp	Part Number	Qty			
	SCREW KIT	SCK	2050542663				X
59	Screw M5X12LG		-	1			
-	Screw M5X25LG		-	2			
49	Screw M5X30LG		-	2			
-	Screw M5X35LG		-	4			
-	Screw M5X40LG		-	1			
-	Screw M6X16LG		-	4			
51	Screw M6X20LG		-	2			
54	Screw M6X35LG		-	3			
-	Screw M6X90LG		-	2			
-	Screw M6X110LG		-	2			
	SMALL PARTS KIT	SPK	2050542653			X	
73	Stop pin		-	1			
52	Spring washer		6512	2			
36	Pin actuating		432743	1			
74	Bush		-	1			
60	Circlip ext D1400 15M		-	2			
65	Circlip int 32X1.20		-	2			
-	Spacer 27X32X7			1			
-	Key		-	1			
-	Washer 5.5X21X15(3)		-	2			
41	Key		322243	1		X	
44	Circlip		322603	1		X	

OUTPUT MODULE

92362-B7

92893-B8



Item	Description	Part Number	Qty	High	Medium	Low
				Wear		
2	H01-Chuck for 92362	29452	1			X
2	H01-Chuck for 92893	29462	1			X
9	End cap	61553	1			X
12	Wheel planet	1443	2			X
14	Reverse internal gear	10703	1			X
19	Case	324613	1			X
20	Countersink screw M3 x 5LG	324103	1			
21	Nut bearing	322073	1			X
23	D-Q Put shaft B4/B7/B8	324623	1			X
24	Drive pin B/R series	-	1		X	
30	Circlip ext 38 x 1.6 ring	290583	1			
31	Key	324093	1			
32	Locknut	324113	1			X
A	SPRING KIT	2050542673				X
4	Spring housing	-	1			
5	Spring	-	1			
6	Thrust race housing	-	1			
B	DRIVING KIT	2050542683			X	
13	Pinion	-	1			
15	Chuck spindle	-	1			
18	Driving dog	-	1			
C	BEARING KIT	2050542693		X		
7-8	Bearing ball	-	1			
11	Bearing caged 1/8x7/32x23/64	502093	2	X		
17	Bearing 7/8x1-5/8x5/16	1483	1	X		
D	SMALL PARTS KIT H21/B7/B8	2050542703			X	
1	Screw 2BAx14LG	-	1			
3	Screw 4BAx1/2LG	-	3			
10	Pin	-	2			
16	Circlip	-	1			
E	COMMON PARTS KIT	2050542713		X		
22	O-Ring 29.1x1.6	-	1			
25	Bearing ISO6002 2RZ	370733	3	X		
26	Circlip	-	1			
27	O-Ring 12.1x1.6	500963	1			X
28	Spacer	-	1			
29	Setscrew M4X6LG	209953	1			X

OUTPUT MODULE

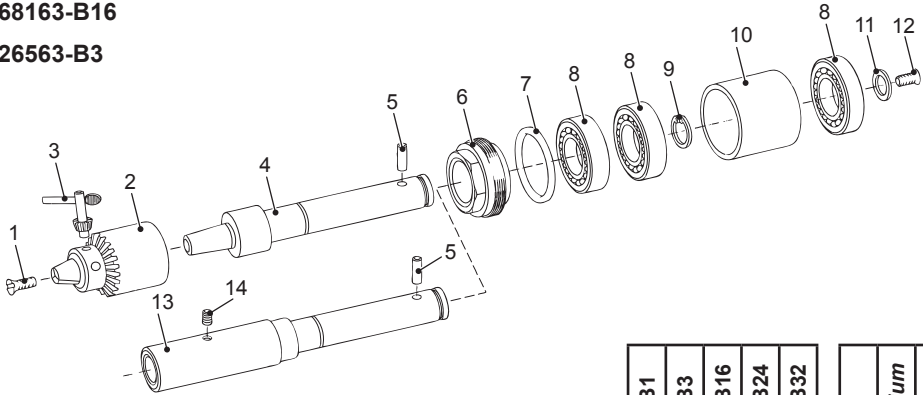
355263-B32

326593-B24

327723-B1

368163-B16

326563-B3



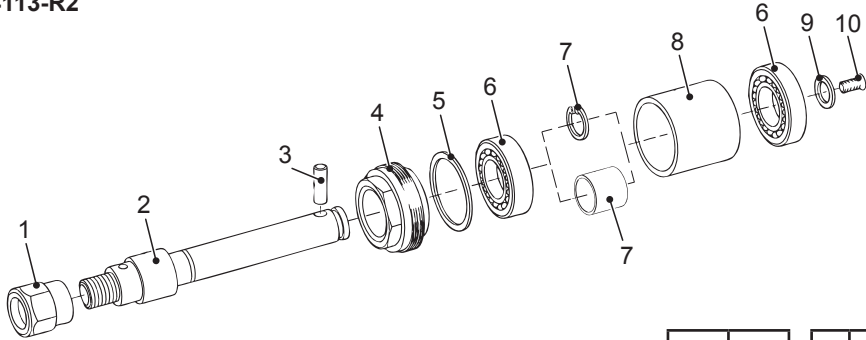
Item	Description	Part Number	Qty	327723-B1	326563-B3	368163-B16	326593-B24	355263-B32	High	Medium	Low
											Wear
1	Screw M5X16LG	327713	1	X		X	X				X
1	Screw B32	64888	1					X			X
2	Chuck & key 3JAW	34752	1	X					X		
4	Output shaft B24	322063	1	X			X				X
4	Output shaft B16	368153	1			X					X
4	Output shaft B32	355273	1					X			X
5	Drive pin	329343	1	X	X	X	X	X		X	
6	Nut bearing	322073	1	X	X	X	X	X		X	

	Description	Part Number	Qty	High	Medium	Low
				Wear		
	COMMON PARTS KIT	2050542713		X		
7	O-Ring 29.1x1.6	-	1			
8	Bearing ISO6002 2RZ	370733	3	X		
9	Circlip	-	1			
10	Spacer	-	1			
11	O-Ring 12.1x1.6	500963	1			X
12	Setscrew M4x6LG	209953	1			X

OUTPUT MODULE

326573-B2

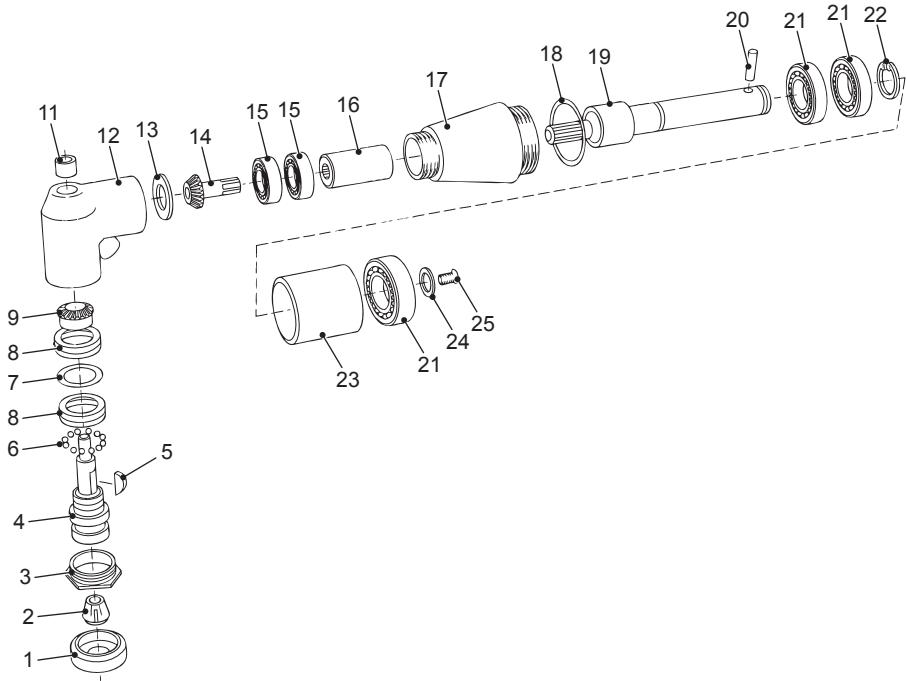
384113-R2



Item	Description	Part number	326573-B2		384113-R2		High	Medium	Low
			Qty		Qty				
1	Nut	116803	1	1					
2	Shaft	322413	1	-					
2	Shaft	384123	-	1					
3	Pin	329343	1	1					
4	Nut	322073	1	-					
4	Nut	388743	-	1					
5	O-Ring	-	1	1					
6	Bearing	370733	1	-					
6	Bearing	758.88	-	1					
7	Circlip	-	1	-					
7	Spacer	382753	-	1					
8	Spacer	349983	1	-					
8	Spacer	390163	-	1					
9	O-ring	-	1	1					
10	Screw	-	1	1					
11	Bearing	370733	1	1					
COMMON PARTS KIT		2050542713					X		
5	O-ring	-	1	1					
6	Bearing	370733	3	3			X		
7	Circlip ext	-	1	-					
9	O-ring	500963	1	1					X
10	Setscrew M4	209953	1	1					X

OUTPUT MODULE

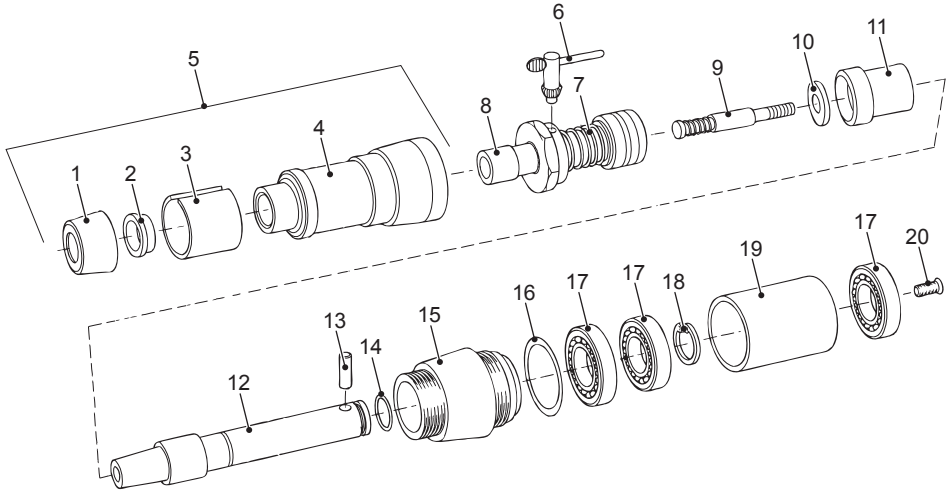
324893-B4



OUTPUT MODULE

324903-B5

324913-B6

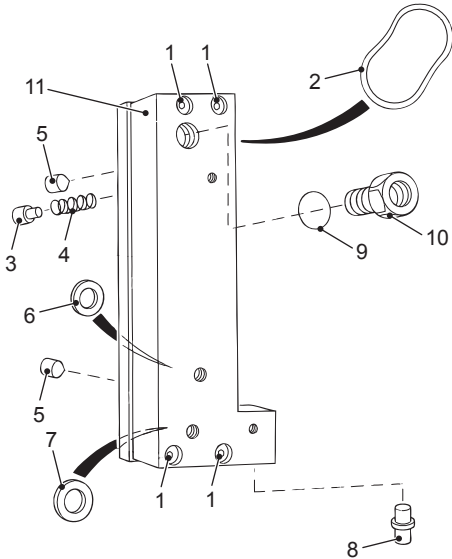


Item	Description	Part Number	Qty
6	Key-chuck	29932	1
8	Clutch 5/16	295823	1
8	Clutch 1/4	295863	1
9	Clutch spindle	324553	1
10	Clamp washer	324563	1
11	Dog clutch	324543	1
12	Output shaft	322063	1
13	Drive pin	329343	1
15	Adaptor	324533	1
5	CASE KIT	251543	1
1	Cap thrd protection	74088	1
2	Bearing bush	73798	1
3	Spring clip	76713	1
4	Clutch case	-	1
	SPRING CLUTCH KIT	2050542753	
7	Spring clutch green	-	1
7	Spring clutch yellow	-	1
7	Spring clutch blue	-	1
	COMMON PARTS KIT	2050542713	
14	O-Ring 12.1x1.6	500963	1
16	O-Ring 29.1x1.6	-	1
17	Bearing ISO6002 2RZ	370733	3
18	Circlip ext	-	1
19	Spacer	-	1
20	Setscrew M4x6LG	209953	1

High	Medium	Low
Wear		
X		
		X
		X
		X
		X
		X
		X
	X	
		X
X		
		X
	X	
X		
		X
X		
		X

CONTROL BLOCK

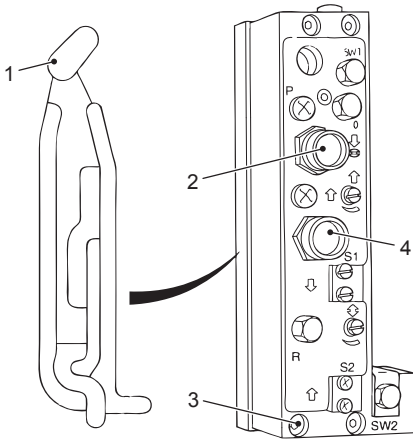
103862-A6



Item	Description	Part Number	Qty	High	Medium	Low
				Wear		
11	A6 simple control block	381193	1			
	O-RING KIT	2050542783		X		
2	O-Ring 18.77x1.78	-	1			
6	O-Ring 10.6x2.4	-	1			
7	O-Ring 14.6x2.4	-	1			
9	O-Ring 0.56" x 0.07"	-	1			
	SMALL PARTS KIT	2050542793			X	
1	Screw M5x30LG	-	2			
3	Return pin	-	1			
4	Valve spring	-	1			
5	Dowel pin	-	2			
8	Plug end stop	-	1			
10	Adaptor	-	1			

CONTROL BLOCK

436313-A1



Item	Description	Part Number	Qty
1	Seal	370393	1
2	Red valve button assy	203763	1
3	Screw	273653	4
4	Green valve button assy	203773	1

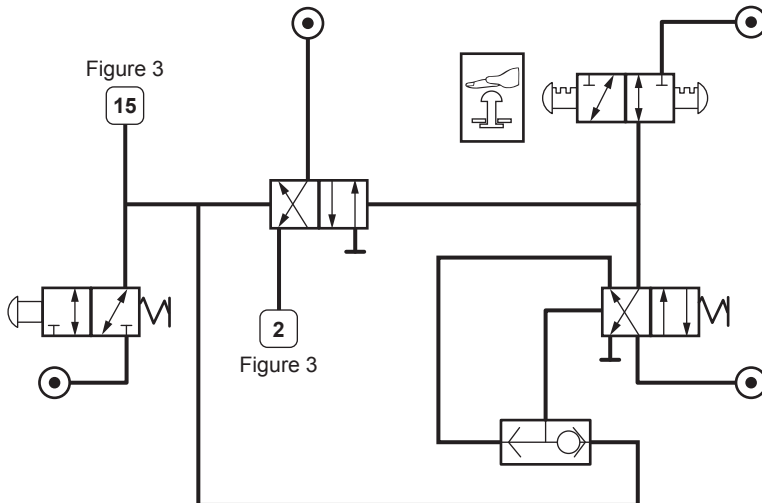
Service kit

-	Seal Kit	370943	1
---	----------	--------	---

Adaptor kit

-	BSP/NPT	444513	1
---	---------	--------	---

BLOCK DIAGRAM (Figure 2)



Original instructions.

© COPYRIGHT 2015, DESOUTTER HP2 7SJ UK

All rights reserved. Any unauthorized use or copying of the contents or part thereof is prohibited. This applies in particular to trademarks, model denominations, part numbers and drawings. Use only authorized parts. Any damage or malfunction caused by the use of unauthorised parts is not covered by Warranty or Product Liability.

STATEMENT OF USE

This product is designed for drilling holes in woods, metals and plastics. No other use permitted. For professional use only.

The use of spare parts/accessories (including chucks stated in the document) other than those originally supplied by the manufacturer may result in a drop of performance, an increased maintenance level, an increased level of vibration and in the full the cancellation of the manufacturer's liability.

DATA

- Weight: 10.5 kg
- Maximum air pressure $P_{max} = 8$ bar
- Minimum air pressure $P_{min} = 6$ bar

OPERATORS INSTRUCTIONS

Air Supply - Main

A water free and filtered air supply is required, at a pressure of 6.3bar (91.4 Psig), with a flow rate of 9.9l/s (21cu.ft/min) controlled by a pressure regulator selected from the Desoutter Air Line Service Equipment Catalogue.

Air Supply - Remote

The basic requirements are as above but the pressure must be at least 2.7bar (40 Psig) and the flow requirement when signalling is 0.47l/s (1cu.ft/min). The signal duration should be kept to the minimum to reduce air consumption.

Lubrication

If lubrication is required an air line lubricator should be fitted down stream of the filter.

Use ISO VG 15.

Note: full power is achieved using a lubricated air supply.

OPERATING



Provision must be made for an Emergency Stop if the tool is used alone or built into a machine. A suitable circuit diagram for manufacturing an Emergency Stop is provided in Figure 2 (See page 21).

Control valve

The valve block module complete (1) contains all the control functions and signal originations for external control.

The controls and locations are identified below and detailed in the drilling operation.

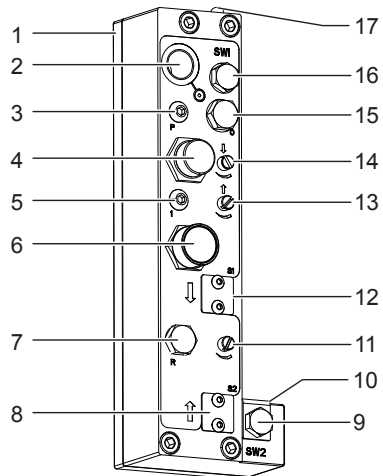


Figure 3

- 1 Valve block module complete
- 2 Main air inlet port, tapped in BSP or NPT
- 3 'P' input port, tapped M5. Signal point for peck feed or Dwell control kit circuit
- 4 Manual Retract Button (Red)
- 5 'I' Remote Start Input port, tapped M5. Receives external signal to start the tool cycle
- 6 Manual start button (Green)
- 7 'R' retract output port, tapped 1/8in BSP. supply for air return
- 8* Position for 'S2' solenoid valve for electric emergency retract
- 9* Position for 'SW2' proximity switch, detects a signal at the end of a cycle for interface kit connection (i.e. it is high at depth)
- 10 Stroke control valve
- 11 Feed rate regulating screw
- 12* Position for 'S1' solenoid valve for electric start
- 13 Retract rate regulating screw
- 14 Advance rate regulating screw
- 15 'O' port, tapped 1/8in BSP receives signal to return the feed to start position for peck feed or Dwell control
- 16* Position for 'SW1' proximity switch, detects a

signal at the beginning of a cycle for interface kit connection. (i.e. is High in datum position).

- 17 'M' port, is tapped M5. Used for sequence control. The signal is produced when the tool is at rest.
- (*) Available in KIT form. See Desoutter Catalogue for details"

i The 'M' port is intended for the operation of pilot valves. It must not be used as a source of air supply for other uses.

Simple Control Valve

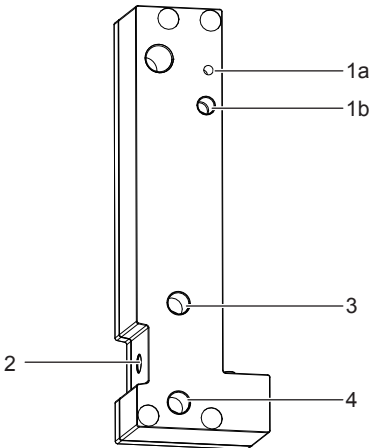


Figure 4

- 1a Position for 'SW1' proximity switch, using actuating pin
- 1b Position for 'SW1' proximity switch, using sleeve on extension tube
- 2 Position for 'SW2' proximity switch, detects a signal when the tool has reached depth
- 3 Retract Air port, tapped 1/8 in. BSP
- 4 Advance Air port, tapped 1/8 in. BSP

This control valve block module is used when the tool is to be controlled remotely.

Both (1a) and (1b) detects a signal when the tool is at the datum position.

i External circuitry will be required to control the speed of advance and retract feeds.

i When using simple control block replace screw (55) with extended head screw (383983).

Accessories

Mounting Clamps

A range of clamps bases and columns are available.

Full details obtained from Desoutter.

Hydraulic Check Unit (HCU)

The tool will function satisfactorily, when drilling a blind hole at the set feed rate.

Should it be required to break through the material and possibly through into another hole, feed acceleration will occur with possible drill breakage.

To obviate this, the fitment of an HCU is strongly recommended.

Request information from Desoutter.

Peck Feed Drills

The Desoutter Peck Feed Drill System should be used when the depth of the hole to be drilled is five or more times the hole diameter.

This helps clear drill chips and avoids excessive overheating of drill bit.

Hole size accuracy can be improved and drill bit run-out can be kept to the minimum.

Request information from Desoutter.

SETTING DRILLING OPERATION

The drill must be at least 6mm (0.25in) above the work piece.

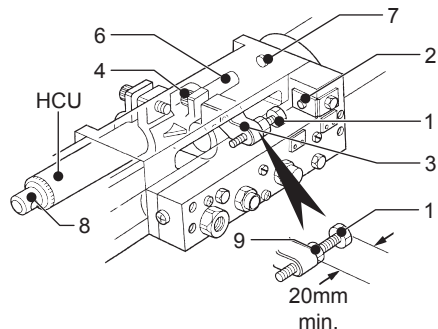


Figure 5

i This setting details a unit with a HCU, reference to the HCU should be ignored when setting the standard tool.

- Set the gap between the (1) and (2) to equal the depth of drilling required PLUS the distance the bit is above the work piece, by sliding (3).
- Lock in position with (4) to the recommended torque.
- Position the HCU in (3).
- Set the gap between (6) and (7) to a distance as required above the work piece.

- Unscrew (8) away from the HCU to adjust the resistance within the HCU to the minimum.
- Fully open the Figure 3 (13).
- Close Figure 3 (11).
- Connect the air supply and press Figure 3 (6).
- Adjust Figure 3 (11/13) to give required advance, retract feeds for the operator.
- Use Figure 5 (1) for the final depth adjustment.
- Lock using Figure 5 (1).
- Carry out a set of trial drillings to determine the ideal advance and HCU settings using Figure 3 (11).

SETTING TAPPING OPERATION



Note 1: It is important that the advance rate of the tool is set to match the pitch of the thread which is to be tapped. An incorrect advance rate will result in a deformed thread, this will be more noticeable in plastics or light alloy materials.

Note 2: The retract rate should be set to withdraw the tap at a slightly faster rate than it advanced, this will ensure a clean withdrawal.

- Mount a tool, with the selected tap securely retained in the chuck, above a test block to carry out sample tapping operations.
- The end of the tap **MUST** be at least 14mm (9/16in) above the test block, to allow for the tapping head reversing engagement travel.
- Set the gap between Figure 5 (2) and (1) to equal the tapping depth **PLUS** the distance the tap is above the work piece.
- Adjust Figure 3 (11/13) to give the required advance, retract feeds for the operation.
- Carry out a trial tapping operation and inspect the finished thread form, adjust as necessary Figure 3 (11/13) and repeat until information in NOTES 1 and 2 are satisfied.

SERVICING REQUIREMENTS

General Notes

Use the following lubricants:

- Grease - molykote Longterm W2 for splines and guide rod.
- Grease - Molykote G68 for Gearbox.
- Grease - Molykote PG75 Plastislip for O-Rings.
- Grease - BP FG00EP for bearings.

Cleaning

Requirements:

- (1) Container to immerse components.
 - (2) Good quality clean paraffin.
- Soak the components in the container containing the paraffin.
 - Ensure full immersion, agitate components to ensure that air passages are flushed through.
 - Remove components from the container, thoroughly dry and blow through air passages to remove moisture.
 - Place components in an air tight container until required for assembly.
 - Dispose of the dirty paraffin in accordance with health and safety regulations.



MAINTENANCE INSTRUCTIONS



The bearing sleeve complete is under spring (16) compression. whilst resisting the thrust due to the spring (16), carefully unscrew and remove the bearing sleeve complete followed by the spring.

- Service should be carried out at intervals of 1000 hours' use. Always quote tool model number, serial number and spare part number when ordering spares.
- All torque figures $\pm 5\%$.
- Dismantle the tool using the exploded view.
- Clean all components and inspect for wear or damage, exchange if necessary.
- Apply new lubricant to the relevant parts in accordance with list.
- Replace the front seal after dismantling the tool.
- Special tools shown in exploded view are in addition to normal workshop tools.



When disposing of components, lubricants, etc... ensure that the relevant safety procedures are carried out.



Protective gloves and eye protection should be worn during cleaning of parts. Eating or smoking is prohibited when cleaning, dismantling or assembling tool.



Instructions originales.

© COPYRIGHT 2015, DESOUTTER HP2 7SJ UK

Tous droits réservés. Tout usage illicite ou copie totale ou partielle sont interdits. Ceci s'applique plus particulièrement aux marques déposées, dénominations de modèles, numéros de pièces et schémas. Utiliser exclusivement les pièces autorisées. Tout dommage ou mauvais fonctionnement causé par l'utilisation d'une pièce non autorisée ne sera pas couvert par la garantie du produit et le fabricant ne sera pas responsable.

DÉCLARATION D'UTILISATION

Ce produit est conçu pour percer des trous dans le bois, ainsi que dans des surfaces métalliques ou plastiques. Il ne doit être utilisé à aucune autre fin. Il est réservé à un usage professionnel. L'utilisation d'accessoires et de pièces de rechange (y compris les mandrins indiqués dans le document) autres que ceux fournis par le fabricant peut réduire les performances, augmenter la fréquence des intervalles d'entretien, accroître le taux de vibrations et provoquer l'annulation de la garantie du fabricant.

DONNÉES

- Poids: 10.5 kg
- Pression d'air maximum Pmax = 8 bar
- Pression d'air minimum Pmin = 6 bar

INSTRUCTIONS DE L'OPÉRATEUR

Alimentation en air - Principale

Une alimentation d'air sec et filtré est requise à une pression de 6,3 bars, et un débit de 9,9 l/s contrôlé par un régulateur de pression sélectionné dans le Catalogue d'équipements pour circuits d'air comprimé Desoutter.

Alimentation en air - Commande

Les exigences sont les mêmes que ci-dessus sauf que la pression doit être au moins égale à 2,7 bars avec un débit de 0,47 l/s. La durée du signal doit être aussi courte que possible de manière à réduire la consommation d'air.

Lubrification

Si la conduite d'air nécessite une lubrification, le lubrifiant doit être placé en aval du filtre.

Utiliser un lubrifiant certifié ISO VG 15.

Remarque : l'arrivée d'air doit être lubrifiée pour atteindre la puissance maximale.

FONCTIONNEMENT



Un dispositif d'arrêt d'urgence doit être prévu lorsque l'outil est utilisé seul ou incorporé dans une machine. Un schéma adapté pour un dispositif d'arrêt d'urgence est fourni Figure 2.
(Voir page 21).

Distributeur

Le module de distribution complet (1) comporte toutes les fonctions de contrôle et toutes les sources de signaux nécessaires pour un contrôle externe.

Les commandes et leurs positions sont identifiées ci-dessous et décrites en détail dans la section Opération de Perçage.

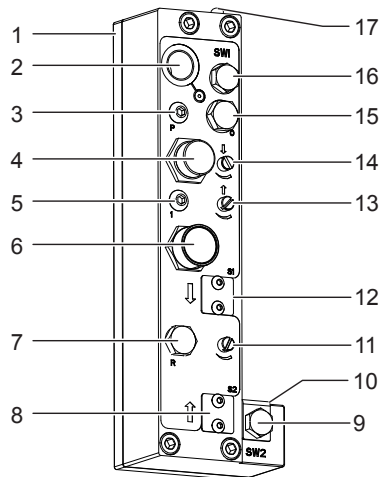


Figure 3

- 1 Module de distribution complet
- 2 Orifice d'alimentation en air, taraudage 1/4" BSP ou NPT
- 3 Orifice d'entrée 'P', taraudage M5. Signal d'entrée pour avance par plongées successives ou circuit de commande pour définir des intervalles.
- 4 Bouton de retrait manuel (Rouge)
- 5 Orifice d'entrée de mise en marche à distance 'I', taraudage M5. Reçoit le signal extérieur de lancement du cycle de l'outil.
- 6 Bouton de mise en marche manuelle (Vert).
- 7 Orifice de sortie de retrait 'R', taraudage 1/4" BSP. Alimentation en air pour retrait.
- 8* Électrovanne 'S2' pour retrait d'urgence électrique.
- 9* Contact de proximité 'SW2' détecte un signal à la fin du cycle pour connexion au kit d'interface (émission de signal lorsque l'outil est à la profondeur requise).
- 10 Soupape de contrôle de course
- 11 Vis de réglage de la vitesse d'avance de coupe



- 12* Électrovanne 'S1' pour mise en marche électrique
- 13 Vis de réglage de la vitesse de retrait
- 14 Vis de réglage de la vitesse d'avance
- 15 Orifice 'O', taraudage 1/8" BSP, reçoit le signal ramenant l'avance à sa position d'origine pour les avances par plongées successives ou le contrôle des pauses
- 16* Contact de proximité 'SW1' détecte un signal au début du cycle pour connexion au kit d'interface (émission de signal lorsque l'outil est au départ).
- 17 Orifice 'M', taraudage M5. Utilisé pour le contrôle de séquence. Le signal est produit lorsque l'outil est au repos.
- (*) Disponible en kit. Voir Catalogue Desoutter pour de plus amples informations.



L'orifice 'M' est destiné à la commande de soupapes pilotes. Il ne doit pas être utilisé comme source d'alimentation pour d'autres usages.

Soupape de commande simple

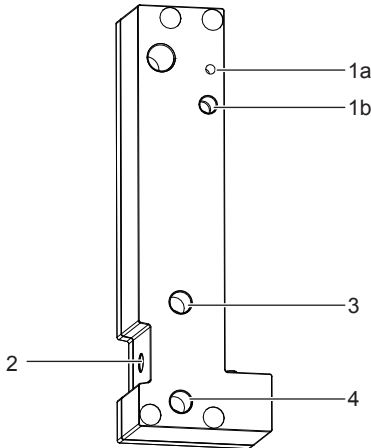


Figure 4

- 1a Commutateur de proximité SW1, à l'aide d'une aiguille d'activation.
- 1b Commutateur de proximité SW1, en utilisant une bague sur un tube prolongateur
- 2 Commutateur de proximité SW2, détecte un signal lorsque l'outil a atteint la profondeur requise.
- 3 Orifice pour le retrait, taraudage 1/8" en BSP
- 4 Orifice pour l'avance, taraudage 1/8" en BSP

Ce module de distribution est utilisé lorsque l'outil doit être commandé à distance.

1a et 1b détectent tous les deux un signal lorsque l'outil est en position de départ.



Des circuits extérieurs seront requis pour contrôler la vitesse d'avance et de retrait.



Pour utiliser un bloc de commande simple, remplacer la vis (55) par une vis à tête large (383983).

Accessoires

Brides de montage

Une gamme de bases et de colonnes de montage est disponible.

Contacter Desoutter pour de plus amples informations.

Unité de freinage hydraulique (HCU)

L'outil fonctionnera correctement pour le perçage d'un trou borgne à la vitesse d'avance réglée.

Si le perçage est débouchant ou doit déboucher dans un autre trou, une accélération de l'avance en fin de perçage peut se produire avec rupture possible du foret.

Pour éliminer ce problème, l'installation d'une unité de freinage hydraulique est fortement recommandée.

Contacter Desoutter pour de plus amples informations.

Perçage par plongées successives

Le système de perçage par plongées Le système de perçage par plongées successives de Desoutter doit être utilisé lorsque la profondeur de perçage est supérieure à cinq fois le diamètre du foret.

Ce système facilite l'évacuation des copeaux et empêche l'échauffement excessif du foret.

La précision du trou percé peut être améliorée et le faux-rond peut être maintenu à une valeur minimum.

Contacter Desoutter pour de plus amples informations.

RÉGLAGE D'UNE OPÉRATION DE PERÇAGE

Le foret doit se trouver au moins à 6 mm au dessus de la pièce.

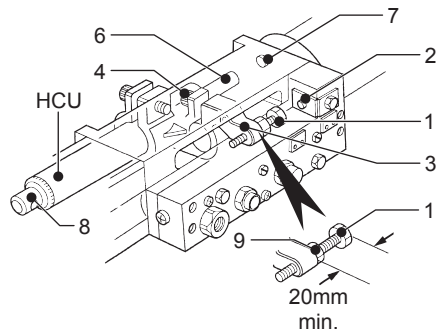


Figure 5





Le réglage décrit est pour un outil équipé d'une unité de freinage hydraulique (HCU). Pour le réglage d'un outil standard, ne pas tenir compte des mentions faites à l'unité de freinage hydraulique (HCU).

- Régler l'espace entre (1) et (2) de manière à ce qu'il soit égal à la profondeur de perçage requise PLUS la distance du foret au-dessus de la pièce en faisant coulisser (3).
- Bloquer l'ensemble en position à l'aide de (4) au couple recommandé.
- Placer l'HCU en (3).
- Régler l'espace entre (6) et (7) à la distance requise au-dessus de la pièce.
- Dévisser (8) en l'éloignant de l'HCU pour ajuster la résistance de l'HCU à sa valeur minimum.
- Ouvrir à fond (13) Figure 3.
- Fermer (11) Figure 3.
- Brancher l'alimentation d'air et appuyer sur (6) Figure 3.
- Ajuster (11) et (13) Figure 3 pour obtenir les vitesses d'avance et de retrait de l'opération.
- Utiliser (1) Figure 5 pour le réglage final de la profondeur.
- Bloquer à l'aide de (9) Figure 5.
- Réaliser quelques essais de perçage pour déterminer l'avance idéale et les réglages de l'HCU à l'aide de (11) Figure 3.

RÉGLAGE D'UNE OPÉRATION DE TARAUDAGE



Note 1 : Il est important de régler la vitesse d'avance de l'outil de manière à ce qu'elle corresponde au pas du filetage à tarauder. Une avance incorrecte produira un filet déformé. Cette déformation est plus perceptible dans les matières plastiques ou les alliages légers.

Note 2 : La vitesse de retrait doit être réglée de manière à retirer le taraud à une vitesse légèrement supérieure à celle de l'avance pour assurer un retrait propre.

- Monter un outil, avec le taraud choisi fermement serré dans le mandrin, au-dessus d'un bloc d'essai pour réaliser quelques taraudages d'essai.
- Le bout du taraud DOIT être au moins à 14mm au-dessus de la pièce pour tenir compte du déplacement d'engagement d'inversion de la tête de taraudage.

- Régler la distance entre (2) et (1) Figure 5 à la profondeur de taraudage PLUS la distance du taraud au-dessus de la pièce.
- Ajuster (11) et (13) Figure 3 pour obtenir les vitesses d'avance et de retrait de l'opération.
- Réaliser un taraudage d'essai et inspecter la forme du filetage.
- Ajuster si nécessaire (11) et (13) Figure 3 et répéter jusqu'à ce que les conditions des Notes 1 et 2 ci-dessus soient satisfaites.

INSTRUCTIONS D'ENTRETIEN

Généralités

Utiliser les lubrifiants suivants :

- Graisse Molykote Longterm W2 pour clavettes et tiges de guidage.
- Graisse Molykote G68 pour boîte de vitesses.
- Graisse Molykote PG75 Plastislip pour les joints toriques.
- Graisse BP FG00EP pour alésage de cylindre.

Nettoyage

Produits nécessaires :

- (1) Récipient pour immerger les composants.
 - (2) Paraffine propre de bonne qualité.
- Tremper les composants dans le récipient rempli de paraffine.
 - Assurer une immersion totale et agiter les composants pour assurer le rinçage de toutes les galeries d'air.
 - Retirer les composants du récipient et sécher soigneusement toutes les galeries d'air avec un jet d'air comprimé pour enlever toute trace d'humidité.
 - Placer les composants dans un récipient étanche à l'air jusqu'à leur montage. Jeter la paraffine usagée en respectant les réglementations de santé et de sécurité.

MAINTENANCE



L'ensemble douille de palier est comprimé par un ressort (16). Tout en s'opposant à la poussée exercée par le ressort (16), dévisser soigneusement et retirer l'ensemble douille de palier puis le ressort.

- L'intervalle d'entretien est fixé à 1000 heures d'utilisation. Lors de la commande de pièces de rechange, toujours indiquer le numéro du modèle d'outil, le numéro de série et le numéro de pièce de rechange.
- Les chiffres de couple varient de ± 5 %.
- Démonter l'outil en consultant la vue éclatée.
- Nettoyer tous les composants et les



inspecter pour détecter tout signe d'usure ou d'endommagement. Les remplacer si nécessaire.

- Appliquer des lubrifiants neufs sur les pièces requises conformément à la liste fournie.
- Assembler l'outil en consultant la vue éclatée. Remettre le joint d'étanchéité en place après avoir déposé l'outil.
- Les outils spécifiques illustrés sur la vue éclatée sont en plus des outils d'atelier normaux.



Lors de la mise au rebut de composants, lubrifiants, etc., veiller à suivre les procédures relatives à la sécurité correspondantes.



Porter des gants et des lunettes de protection pendant le nettoyage des pièces.
Il est interdit de manger ou de fumer pendant le nettoyage, le démontage ou le montage de l'outil.



Instrucciones originales.

© COPYRIGHT 2015, DESOUTTER HP2 7SJ UK

Reservados todos los derechos. Está prohibido todo uso indebido o copia de este documento o parte del mismo. Esto se refiere especialmente a marcas comerciales, denominaciones de modelos, números de piezas y dibujos. Utilicen exclusivamente piezas de repuesto autorizadas. Cualquier daño o defecto de funcionamiento causado por el uso de piezas no autorizadas queda excluido de la garantía o responsabilidad del fabricante.

DECLARACIÓN DE USO

Este producto se ha diseñado para perforar orificios en madera, metal y plástico. No se permiten otros usos. Para uso profesional exclusivamente. La utilización de piezas de repuesto/accesorios (incluidos los portabrocas que se citan en el documento) distintos de los suministrados originalmente por el fabricante puede ocasionar merma en el rendimiento, aumento del nivel de vibración, necesidad de más mantenimiento y exención total de responsabilidad por parte del fabricante.

DATOS TÉCNICOS

- Peso: 10.5 kg
- Presión de aire máxima (P_{máx}) = 8 bar
- Presión de aire mínima (P_{mín}) = 6 bar

INSTRUCCIONES DE FUNCIONAMIENTO

Suministro de aire - Principal

Se requiere un suministro de aire filtrado y desprovisto de agua, a una presión de 6,3 bar y con un caudal de 9,9 l/s, controlado mediante un regulador de presión seleccionado en el Catálogo de Equipos de Servicio de Aire Comprimido Desoutter.

Suministro de aire - Remoto

Los requisitos básicos son los mismos, pero la presión debe ser de 2,7 bar como mínimo, y el caudal de 0,47 l/s en el momento de la señal. La duración de la señal debe mantenerse al mínimo para reducir el consumo de aire.

Lubricación

Si se necesita lubricación, se debe instalar un lubricador de línea de aire con posterioridad al filtro.

Utilice ISO VG 15.

Nota: la potencia máxima se alcanza con un suministro de aire lubricado.

FUNCIONAMIENTO



Debe habilitarse una parada de emergencia si la herramienta se usa individualmente o se incorpora en una máquina. En la figura 2 se incluye un diagrama de circuito apropiado para la creación de una parada de emergencia (Véase página 21).

Válvula de control

El modulo de válvula completo (1) comprende todas las funciones de control y fuentes de señales requeridas para el control externo.

Los controles y sus ubicaciones se identifican a continuación y se detallan en la operación de taladrado.

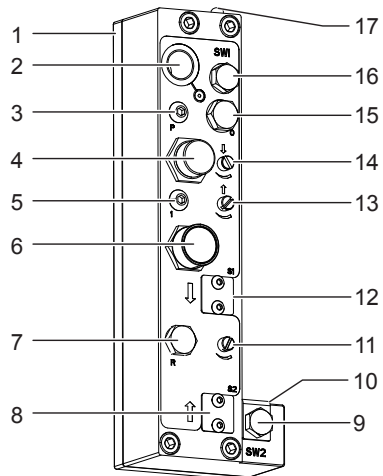


Figura 3

- 1 Modulo de válvula completo
- 2 Orificio de entrada de aire principal, con rosca BSP o NPT.
- 3 Orificio de entrada "P" con rosca M5. Punto de señales para perforación mediante avances sucesivos o circuito de juego de control de intervalos.
- 4 Botón de retroceso manual (rojo).
- 5 Orificio de entrada de puesta en marcha remota "I" con rosca M5. Recibe una señal externa para iniciar el ciclo de trabajo de la herramienta.
- 6 Botón de puesta en marcha manual (verde).
- 7 Orificio de salida de retroceso "R", con rosca BSP de 1/4". Suministro de aire para retorno de aire.
- 8* Posición de válvula solenoide "S2" para el retroceso de emergencia eléctrica.
- 9* Posición del detector de proximidad "SW2", que detecta una señal al final del ciclo para la conexión del juego de interfaz (a saber, alto en profundidad).



- 10 Válvula de control de carrera
- 11 Tornillo regulador de velocidad de alimentación.
- 12* Posición de válvula solenoide "S1" para arranque eléctrico.
- 13 Tornillo regulador de velocidad de retroceso.
- 14 Tornillo regulador de velocidad de avance.
- 15 Orificio "O", con rosca BSP de 1/8", que recibe la señal para devolver la alimentación a la posición de arranque para perforación mediante avances sucesivos o control de intervalos.
- 16* Posición del detector de proximidad "SW1", que detecta una señal al comienzo del ciclo para la conexión del juego de interfaz (a saber, alto en posición de referencia).
- 17 Orificio "M", con rosca M5. Se usa para el control de secuencias. La señal se produce cuando la herramienta está en reposo.
- (*) Disponible como juego. Ver el Catálogo Desoutter para más información.

i El orificio "M" es para el funcionamiento de válvulas piloto. No debe utilizarse como fuente de suministro de aire para otros usos.

Válvula de control simple

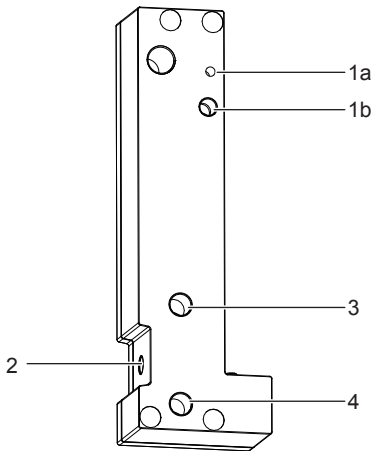


Figura 4

- 1a Posición para el detector de proximidad SW1, utilizando el pasador de activación.
- 1b Posición para el detector de proximidad SW1, utilizando el manguito del tubo de prolongación.
- 2 Posición para el detector de proximidad SW2; detecta una señal cuando la herramienta ha llegado al fondo.
- 3 Entrada de aire de retroceso, con rosca BSP de 1/8".
- 4 Entrada de aire de avance, con rosca BSP de 1/8".

Este módulo de válvula de control se usa cuando se desea controlar la herramienta desde un punto remoto.

Tanto 1a como 1b detectan una señal cuando la herramienta está en la posición de referencia.

i Se precisará de circuitos externos para controlar la velocidad de la alimentación de avance y retroceso.

i Si utiliza el bloque de control simple, sustituya el tornillo (55) por el tornillo de cabeza prolongada (383983).

Accesorios

Bridas de montaje

Existe una gama de bridas de base y columna. Más información en Desoutter

Unidad de supervisión hidráulica (HCU)

La herramienta funcionará satisfactoriamente cuando taladre un agujero ciego con la velocidad de alimentación establecida.

Si se requiere atravesar el material y, posteriormente, otro agujero, se producirá una aceleración que podría provocar la rotura de la broca.

Para evitarlo, se recomienda encarecidamente usar la HCU.

Solicite información a Desoutter.

Perforación mediante avances sucesivos

El sistema de perforación mediante avances sucesivos de Desoutter debe usarse cuando la profundidad del agujero que se desea taladrar es superior a cinco veces su diámetro.

Esto ayuda a limpiar las virutas del taladrado y evita que se caliente excesivamente la broca.

Se mejora la precisión del agujero y se mantiene al mínimo el descentraje de la broca.

Solicite información a Desoutter.



AJUSTE DE LA OPERACIÓN DE TALADRADO

La broca debe estar situada como mínimo 6 mm por encima de la pieza.

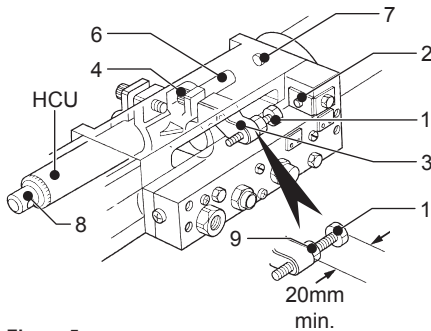


Figura 5

i Este ajuste describe una unidad equipada con HCU. Cuando se efectúa el ajuste de una herramienta estándar, debe ignorarse todo lo referente a la unidad HCU.

- Ajuste la separación entre los orificios (1) y (2) deslizando (3), de manera que iguale la profundidad de taladrado requerida MÁS la distancia de la broca sobre la pieza.
- Inmovilice en su posición con (4) al par de apriete recomendado.
- Coloque la HCU en (3).
- Ajuste la separación entre (6) y (7) a la distancia requerida sobre la pieza.
- Desenrosque (8) de la HCU para ajustar al mínimo la resistencia dentro de la HCU.
- Abra por completo (13), en la Figura 3.
- Cierre (11), en la Figura 3.
- Conecte el suministro de aire y pulse (6), en la Figura 3.
- Ajuste (11/13), en la Figura 3, para lograr la alimentación de avance y retroceso requerida para la operación.
- Use (1), en la Figura 5, para ajustar definitivamente la profundidad.
- Inmovilice usando (9), en la Figura 5.
- Efectúe una serie de perforaciones de prueba para determinar el avance ideal y los ajustes de HCU usando (11), en la Figura 3.

AJUSTE DE LA OPERACIÓN DE ROSCADO

i **Nota 1:** Es importante ajustar la velocidad de avance de la herramienta para que coincida con el paso de la rosca que se desea efectuar. Una velocidad de avance incorrecta dará lugar a una rosca deformada, lo cual será más perceptible en plásticos o materiales de aleación ligera.

Nota 2: El ritmo de retroceso debe ajustarse para retirar el macho a un ritmo un poco más rápido que su velocidad de avance, lo cual evitará todo posible problema durante la operación.

- Monte una herramienta, con el macho seleccionado bien sujeto al portabrocas, sobre un bloque de prueba, a fin de obtener muestras de roscado.
- El extremo del macho de roscar DEBE estar por lo menos a 14 mm sobre el bloque de prueba, para permitir el recorrido inverso del cabezal roscador.
- Ajuste la separación entre (2) y (3), en la Figura 5, de manera que iguale la profundidad de roscado MÁS la distancia del macho sobre la pieza.
- Ajuste (11/13), en la Figura 3, para lograr la alimentación de avance y retroceso requerida para la operación.
- Realice una operación de roscado e inspeccione la forma definitiva de la rosca, ajustando según convenga (11/13), en la Figura 3, y repita hasta que se cumplan las instrucciones incluidas en las notas 1 y 2.

REQUISITOS DE REPARACIÓN

Notas generales

Utilice los lubricantes siguientes:

- Grasa Molykote Longterm W2 para los vasos estriados y la guía de vástago.
- Grasa Molykote G68 para la caja de engranajes.
- Grasa Molykote PG75 Plastislip para las juntas tóricas.
- Grasa BP FG00EP para el calibre del cilindro.

Limpieza

Requisitos:

- (1) Recipiente para sumergir los componentes.
 - (2) Parafina limpia de buena calidad.
- Introduzca los componentes en el recipiente con parafina.
 - Asegúrese de que queden totalmente sumergidos, agítelos para garantizar la limpieza total de los conductos de aire.
 - Retire los componentes del recipiente, séquelos exhaustivamente y sople a través de los conductos de aire para expulsar la humedad.
 - Coloque los componentes en un recipiente hermético hasta que los necesite para su montaje.
 - Elimine la parafina sucia con arreglo a las normas de seguridad e higiene.

MANTENIMIENTO



El conjunto del casquillo del cojinete está sometido a la fuerza de compresión del muelle (16). Mientras anula el empuje del muelle (16), desenrosque cuidadosamente el conjunto del casquillo del cojinete, desmóntelo y, a continuación, desmonte el muelle.

- El mantenimiento se debe realizar cada 1000 horas de uso. Indique siempre el número de modelo de la herramienta, el número de serie y el número de la pieza de repuesto si realiza un pedido de recambios.
- Todos las cifras de torsión $\pm 5\%$.
- Desmonte la herramienta usando como guía el despiezado.
- Limpie todos los componentes, compruebe si presentan desgaste o daños y recámbielos de ser necesario.
- Aplique lubricante nuevo en las piezas pertinentes según la lista.
- Monte la herramienta usando como guía el despiezado.
- Vuelva a colocar la junta delantera después de desmontar la herramienta.



Asegúrese de que se llevan a cabo todos los procedimientos de seguridad en vigor cuando se desechan componentes, lubricantes, etc..



Durante la limpieza de las piezas deberán llevarse guantes y gafas protectoras.
Está prohibido comer o fumar durante la limpieza, el desmontaje o el montaje de la herramienta.



Ursprüngliche Betriebsanleitung.

© COPYRIGHT 2015, DESOUTTER HP2 7SJ UK

Alle Rechte vorbehalten. Unbefugtes Verwenden oder Kopieren des Inhalts bzw. von Teilen des Inhalts ist verboten. Dies gilt insbesondere für Warenzeichen, Modellbezeichnungen, Teilenummern und Zeichnungen. Nur die zugelassenen Ersatzteile verwenden. Schäden oder Funktionsstörungen, die durch die Verwendung nicht zugelassener Ersatzteile entstehen, sind von der Garantieleistung und der Produkthaftung ausgeschlossen.

NUTZUNGSHINWEISE

Dieses Produkt ist zum Bohren von Löchern in Holz, Metall und Kunststoff vorgesehen. Andere Einsatzzwecke sind nicht zulässig. Nur zur betrieblichen Nutzung. Die Verwendung von Ersatz-/Zubehörtteilen (einschließlich der im Dokument genannten Bohrfutter), die nicht im Lieferumfang des Herstellers enthalten sind, kann einen Leistungsabfall oder einen erhöhten Wartungsaufwand und stärkere Vibrationen sowie das vollständige Erlöschen der Haftung des Herstellers zur Folge haben.

DATEN

- Gewicht: 10.5 kg
- Luftdruck maximal $P_{max} = 8 \text{ bar}$
- Luftdruck minimal $P_{min} = 6 \text{ bar}$

BEDIENUNGSANLEITUNG

Druckluft - Hauptversorgung

Für den Betrieb ist wasserfreie und gefilterte Druckluft mit einem Druck von 6,3 Bar (91,4Psig) mit einem Durchsatz von 9,9 l/s (21Fuß³/min) erforderlich, mit einer Regelung durch einen Druckregler gemäß Katalog Desoutter für Druckluftanlagen.

Druckluftversorgung - Extern

Es gelten die gleichen Grundanforderungen wie oben, jedoch muss der Druck mindestens 2,7 Bar (40 Psig) und der Durchsatz bei Signalisierung 0,47 l/s (1 Kubikfuß /min) betragen.

Die Signaldauer soll möglichst gering sein, um den Druckluftverbrauch einzuschränken.

Schmierung

Ist eine Schmierung erforderlich, ist eine Druckluftleitungs- Schmiervorrichtung hinter dem Filter vorzusehen.

Beachten Sie hierzu ISO VG 15.

Hinweis: Die volle Leistung wird bei Verwendung einer geschmierten Druckluftversorgung erreicht.

BETRIEB



Es ist eine Notabschaltvorrichtung vorzusehen, wenn das Werkzeug allein verwendet oder in eine Maschine eingebaut wird. Abb. 2 zeigt einen geeigneten Schaltplan für die Installation einer Notabschaltvorrichtung. (Siehe Seite 21).

Steuerventil

Das Ventilblockmodul komplett (1) enthält alle Steuerfunktionen und Signalgeber für eine externe Steuerung.

Die einzelnen Steuerelemente bzw. Einbauorte werden nachfolgend bezeichnet, mit Detailangaben zu den Bohrungen.

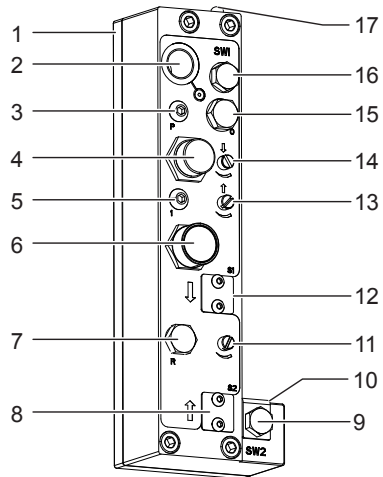


Abbildung 3

- 1 Ventilblockmodul komplett
- 2 Hauptdruckluftanschluss, Gewinde 1/4" BSP oder NPT
- 3 Eingangsanschluss „P“, Gewinde M5. Signalanschlusspunkt für die Meldung „Entspänen“ oder „Freischneiden“.
- 4 Handrückholtaste (rot)
- 5 Fernstart-Eingangstaste „I“, Gewinde M5. Nimmt das externe Signal für den Start des Werkzeugzyklus auf.
- 6 Handstarttaste (grün)
- 7 Rückhol-Ausgangsanschluss „R“, Gewinde 1/8" BSP. Anschluss für die Luftrückführung.
- 8* Position für das Magnetventil „S2“ für die elektrische Notrückholung
- 9* Position für den Näherungsschalter „SW2“, erkennt ein Signal bei Zyklusende für die Verbindung zum Interface-Kit, hat also bei der Solltiefe den Pegel High.
- 10 Hubsteuerventil.
- 11 Schraube zur Vorschubregelung.
- 12* Position für Magnetventil „S1“ für den elektrischen Start



- 13 Stellschraube Rückholgeschwindigkeit
- 14 Stellschraube Vorlaufgeschwindigkeit
- 15 Anschluss „0“, Gewinde 1/8“ BSP, nimmt das Signal zur Rückkehr des Vorschubs in die Startposition für die Stoßzuführung oder die Haltesteuerung auf.
- 16* Position für den Näherungsschalter „SW1“, erkennt ein Signal bei Zyklusbeginn für die Verbindung zum Interface-Kit (d.h. Pegel „High“ in der Bezugsposition).
- 17 Anschluss „M“, Gewinde M5. Für die Folgesteuerung. Signalgabe bei ruhendem Werkzeug.
- (*) Erhältlich in Form eines KIT. Siehe nähere Einzelheiten im Katalog Desoutter.

i Der Anschluss „M“ ist für den Betrieb von Steuerventilen vorgesehen. Er darf nicht als Druckluftquelle für sonstige Anwendungen verwendet werden.

Einfaches Steuerventil

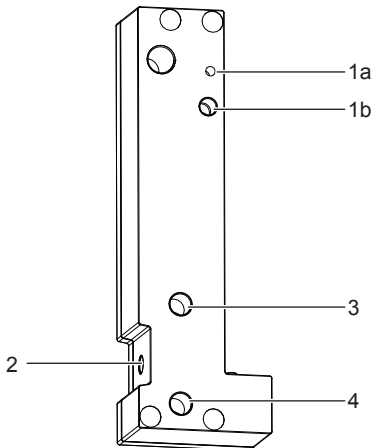


Abbildung 4

- 1a Position Näherungsschalter SW1, mit Betätigungsstift.
- 1b Position Näherungsschalter SW1, mit Muffe auf der Verlängerungsleitung.
- 2 Position für den Näherungsschalter SW2, gibt Signal bei Erreichen der Bohrtiefe
- 3 Luftöffnung „rückwärts“, mit Gewinde 1/8“ BSP.
- 4 Luftöffnung „vorwärts“, mit Gewinde 1/8“ BSP.

Dieses Steuerventilblockmodul ist bei einer Fernsteuerung des Werkzeugs zu verwenden. Sowohl (1a) als auch (1b) erfasst ein Signal, wenn der Gewindebohrer sich in der Ausgangsposition befindet.

i Eine externe Schaltung ist erforderlich, um die Geschwindigkeit der Vorwärts- und Rückwärtsbewegung zu steuern.

i Bei Verwendung des einfachen Steuerblocks Schraube (55) durch verlängerte Schraube (383983) ersetzen.

Zubehör

Montagebügel

Es sind mehrere Montagebügel und Abstandshalter erhältlich.

Bitte nähere Einzelheiten von Desoutter erfragen.

Hydrauliksteuereinheit (HCU)

Das Gerät arbeitet einwandfrei beim Bohren eines Sacklochs mit eingestelltem Vorschub.

Sollte aber eine Durchgangsbohrung oder eine Verbindungsbohrung zu einer anderen Bohrung herzustellen sein, so ist mit erhöhtem Vorschub und möglichem Bohrerbruch zu rechnen.

Als Abhilfe hiergegen ist dringend zu empfehlen, eine HCU einzubauen.

Entsprechende Informationen von Desoutter anfordern.

Bohrer mit Stoßzuführung

Das Desoutter-System der Bohrer mit Stoßzuführung ist zu verwenden, wenn die Tiefe der herzustellenden Bohrung mindestens fünfmal so groß ist wie der Bohrungsdurchmesser.

Dieses System erleichtert die Späneabfuhr und verhindert eine Überhitzung der Bohrerspitze.

Die Genauigkeit der Bohrlochabmessungen kann gesteigert werden, und der Auslauf der Bohrerspitze wird gering gehalten.

Bitte weitere Informationen von Desoutter anfordern.

EINSTELLUNG DES BOHRERS

Der Bohrer muss mindestens 6 mm (0,25“) über dem Werkstück stehen.

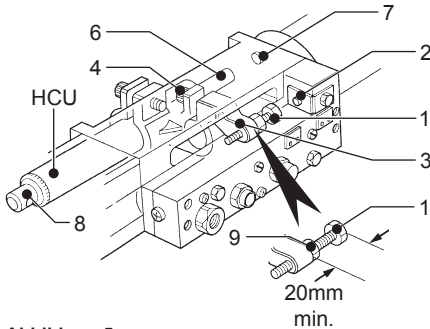


Abbildung 5



Die folgende Einstellbeschreibung bezieht sich auf Betrieb mit einer HCU. Zur Einstellung des Standardwerkzeugs sind alle Verweise auf die HCU zu ignorieren.

- Abstand zwischen 1 und 2 auf gewünschte Bohrtiefe ZUZÜGLICH Höhe der Bohrerspitze über dem Werkstück durch Gleitelement 3 einstellen.
- Durch 4 mit empfohlenem Drehmoment arretieren.
- HCU auf 3 positionieren.
- Distanz zwischen 6 und 7 auf den gewünschten Abstand über dem Werkstück einstellen.
- 8 von der HCU lösen, um innerhalb der HCU einen möglichst geringen Widerstand zu erreichen.
- 13 (Abb. 3), vollständig öffnen.
- 11 (Abb. 3) schließen.
- Druckluftversorgung anschließen und 6 (Abb. 3) betätigen.
- 11 & 13 (Abb. 3) entsprechend den erforderlichen Vor- und Rücklaufgeschwindigkeiten für den Betrieb einstellen.
- Endgültige Tiefeneinstellung mit Hilfe von 10 (Abb. 5) vornehmen.
- Mit Hilfe von 9 (Abb. 5) arretieren.
- Mehrere Probebohrungen durchführen, dabei Vorschub und die HCU mittels 11 (Abb. 3) auf Idealwerte einstellen.

EINSTELLUNGEN BEI GEWINDEBOHRUNGEN



Anmerkung 1: Es ist auf jeden Fall darauf zu achten, dass der Vorschub des Geräts entsprechend der Steigung des zu schneidenden Gewindes angepasst wird. Falscher Vorschub führt zu einem verformten Gewinde, das sich vor allem bei Plastik- oder Leichtmetallwerkstoffen auswirkt.

Anmerkung 2: Die Rückholgeschwindigkeit ist so einzustellen, dass der Gewindebohrer mit etwas höherer Geschwindigkeit als im Vorschub zurückfährt. Auf diese Weise ergibt sich eine saubere Rückholung.

- Passenden Gewindebohrer sicher in das Spannfutter einsetzen und Gerät über einem Prüfblock montieren, um einige Gewindeproben zu schneiden.
- Die Spitze des Gewindebohrers MUSS mindestens 14 mm (9/16“) über dem Prüfblock sein, damit dem Gewindeschneidfutter beim Reversieren genügend Hub zur Verfügung steht.
- Abstand zwischen 2 und 1 (Abb. 3) zum Ausgleich der Gewindetiefe ZUZÜGLICH freie Höhe zwischen Gewindebohrer und Werkstück justieren.
- 11 & 13 (Abb. 3) entsprechend den erforderlichen Vor- und Rücklaufgeschwindigkeiten für den Betrieb einstellen.
- Gewindeprobe herstellen und Form des fertigen Gewindes inspizieren. 11 & 13 (Abb. 3) bei Bedarf nachstellen und Probe wiederholen, bis die Angaben in den Anmerkungen 1 und 2 eingehalten werden.

WARTUNGSANFORDERUNGEN

Allgemeine Hinweise

Folgende Schmiermittel verwenden:

- Fett - für Zahnwellen und Führungsstange Molykote Longterm W2.
- Fett - für das Getriebe Molykote G68.
- Fett - für die O-Ringe Molykote PG75 Plastislip.
- Fett - für die Zylinderbohrung BP FG00EP.

Reinigung

Erforderliches Zubehör:

- (1) Behälter, in dem die Bauteile eingetaucht werden können.
 - (2) Hochwertiges, sauberes Paraffin.
- Bauteile in den Behälter tauchen, der das Paraffin enthält.



- Bauelemente vollständig untertauchen und bewegen, um sicherzustellen, dass alle Luftdurchlässe gespült werden.
- Bauelement aus dem Behälter entnehmen, gründlich trocknen lassen und Luftkanäle freiblasen, um Feuchtigkeit zu entfernen.
- Bauelemente bis zum Einbau in einem luftdichten Behälter aufbewahren.
- Verschmutztes Paraffin entsprechend den Gesundheits- und Sicherheitsanforderungen entsorgen.

WARTUNGSANLEITUNG



Die gesamte Lagerbuchse steht unter Druck durch die Feder (16). Lagerbuchse vorsichtig abschrauben und herausnehmen. Dabei muss dem durch die Feder (16) verursachten Druck entgegengewirkt werden. Danach die Feder entfernen.

- Die Wartung ist im Abstand von 1.000 Betriebsstunden durchzuführen. Bei der Bestellung von Ersatzteilen sind immer die Werkzeug-Modellnummer, die Seriennummer und die Ersatzteilnummer anzugeben.
- Alle Drehmomentangaben $\pm 5\%$.
- Gerät zerlegen. Hierzu Explosionsdarstellung beachten.
- Alle Bauelemente reinigen und auf Verschleiß oder Beschädigung inspizieren.
- Bei Bedarf Komponenten austauschen.
- Auf die entsprechenden Teile neues Schmiermittel gemäß Angabe in der Liste auftragen.
- Nach der Zerlegung des Werkzeugs die vordere Dichtung auswechseln.
- Spezialwerkzeuge gemäß Explosionszeichnung ergänzen die normale Werkstattausrüstung.



Bei der Entsorgung von Bauteilen, Schmiermitteln usw. sind immer die relevanten Sicherheitsvorkehrungen zu treffen.



Während der Reinigung der Einzelteile sind Schutzhandschuhe und Augenschutz zu tragen. Die Einnahme von Speisen und das Rauchen sind während der Reinigung, Zerlegung oder Montage des Geräts untersagt.



Istruzioni originali.

© COPYRIGHT 2015, DESOUTTER HP2 7SJ UK

Tutti i diritti riservati. E' vietata la riproduzione totale o anche solo parziale del presente documento salvo previa autorizzazione, specialmente per quanto concerne i marchi depositati, le denominazioni dei modelli, i numeri di codice e le illustrazioni. Si raccomanda di impiegare esclusivamente pezzi di ricambio autorizzati. Gli eventuali danni o difetti di funzionamento dovuti all'uso di pezzi di ricambio non autorizzati non sono coperti dalla garanzia e il fabbricante non sarà ritenuto responsabile.

DICHIARAZIONE D'USO

Questo prodotto è progettato per effettuare perforazioni nel legno, nei metalli e nella plastica. È vietato qualsiasi altro impiego. Solo per uso professionale. L'uso di ricambi/accessori (compresi i mandrini menzionati nel documento) non originali potrebbe comprometterne le prestazioni o causare interventi di manutenzione e livelli di vibrazioni superiori, nonché la totale cancellazione della responsabilità del produttore.

DATI

- Peso: 10.5 kg
- Pressione aria max (Pmax) = 8 bar
- Pressione aria minima (Pmin) = 6 bar

NORME D'USO

Alimentazione aria - Rete

Occorre disporre di una rete di alimentazione di aria compressa filtrata e disidratata alla pressione di 6,3 bar con portata di 9,9 l/s controllata da apposito regolatore di pressione Desoutter di cui al catalogo Air Line Service Equipment.

Alimentazione aria - Remoto

Le prescrizioni di base sono come quelle di cui sopra ma la pressione deve essere almeno 2,7bar e la portata di segnalazione pari a 0,47l/s. La durata del segnale deve essere minima al fine di ridurre il consumo di aria.

Lubrificazione

Se è richiesta la lubrificazione, occorre installare un lubrificatore del condotto di aria a valle del filtro.

Utilizzare ISO VG 15.

Nota: la potenza massima viene raggiunta utilizzando l'alimentazione dell'aria non lubrificata.

FUNZIONAMENTO



Sia che l'attrezzo sia impiegato autonomamente oppure integrato in una macchina occorre prevedere un apposito arresto di emergenza il cui schema elettrico è rappresentato in figura 2. (Vedere pagina 21).

Valvola di regolazione

Il modulo di controllo completo (1) svolge tutte le funzioni di comando e segnalazione per il controllo dall'esterno.

I vari comandi e la loro disposizione sono indicati di seguito nella sezione Modalità di foratura.

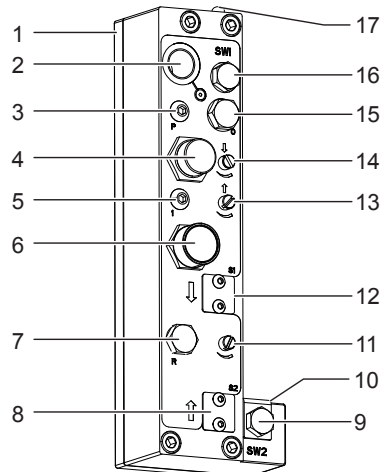


Figura 3

- 1 Modulo di controllo completo
- 2 Condotto entrata aria principale con filettatura 1/4" BSP oppure NPT.
- 3 Condotto entrata "P" con filettatura M5. Punto di segnalazione per alimentazione intermittente o circuito kit di controllo pausa.
- 4 Pulsante ritorno manuale (rosso).
- 5 Condotto entrata avviamento remoto "I" con filettatura M5. Riceve il segnale esterno per l'avvio del ciclo attrezzo.
- 6 Pulsante avviamento manuale (verde).
- 7 Condotto uscita ritorno "R" con filettatura 1/8" BSP. Alimentazione ritorno aria.
- 8* Posizione per elettrovalvola "S2" per svincolo di emergenza elettrico.
- 9* Posizione per interruttore di prossimità "SW2"; rileva un segnale a fine ciclo per la connessione del kit di interfaccia (ad es.: limite superiore profondità).
- 10 Valvola regolazione corsa.
- 11 Vite di registrazione velocità di avanzamento.
- 12* Posizione per elettrovalvola "S1" per avviamento elettrico.
- 13 Vite di registro velocità di svincolo.



- 14 Vite di registrazione velocità di traslazione.
- 15 Condotto "O" con filettatura 1/8" BSP; riceve il segnale di ritorno avanzamento alla posizione iniziale per avanzamento intermittente o controllo pausa.
- 16* Posizione per interruttore di prossimità "SW1"; rileva un segnale a inizio ciclo per connessione kit di interfaccia (ad es.: limite superiore posizione di riferimento).
- 17 Condotto "M" con filettatura M5. Utilizzato per il controllo in sequenza. Il segnale si verifica con attrezzo a riposo.
- (*) Disponibile in kit. Per i dettagli vedere il catalogo Desoutter.

i Il condotto "M" serve per il comando di valvole pilota. Non deve essere utilizzato per l'alimentazione dell'aria per altri scopi.

Valvola di regolazione semplice

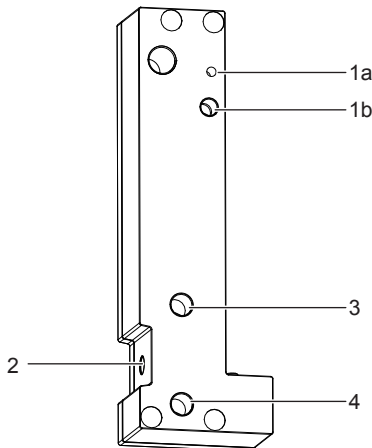


Figura 4

- 1a Posizione interruttore di prossimità SW1, mediante perno attuatore.
- 1b Posizione interruttore di prossimità SW1, mediante manicotto su tubo di prolunga.
- 2 Posizione interruttore di prossimità SW2; rileva il segnale relativo al raggiungimento della posizione di profondità da parte dell'utensile.
- 3 Condotto aria di arretramento, con filettatura 3,175 mm (1/8 in.) BSP.
- 4 Condotto aria di avanzamento, con filettatura 3,175 mm (1/8 in.) BSP.

Questo modulo è utilizzato per il controllo dell'attrezzo a distanza.

Sia (1a) che (1b) rilevano il segnale quando l'utensile è in posizione di partenza.

i Il controllo della velocità di avanzamento e di ritrazione richiede l'impiego di collegamenti elettrici esterni.

i Durante l'impiego del bloccetto di controllo semplice, sostituire la vite (55) con la vite a testa allargata (383983).

Accessori

Morsetti di attacco

È disponibile una gamma completa di basi di attacco e colonnette di fissaggio.

Per i particolari rivolgersi a Desoutter.

Controllo idraulico di limitazione avanzamento (HCU)

Questo dispositivo è utile quando si praticano fori ciechi con avanzamento prestabilito.

Se occorre rendere passante il foro con eventuale fuoriuscita in altro foro, il probabile aumento della velocità di avanzamento risultante può causare la rottura della punta.

Per evitare l'inconveniente si consiglia vivamente l'impiego di un'unità HCU.

Per ulteriori informazioni rivolgersi a Desoutter.

Unità di avanzamento intermittente Peck Feed

L'unità Desoutter Peck Feed Drill è utile per l'esecuzione di fori di profondità minima pari a 5 volte il diametro.

Essa facilita lo smaltimento del truciolo ed evita l'eccessivo surriscaldamento della punta.

Il Peck Feed consente anche di migliorare la precisione dimensionale del foro e di minimizzare l'eccentricità della punta.

Per ulteriori informazioni rivolgersi a Desoutter.

MESSA A PUNTO PER LA FORATURA

La punta per forare deve essere situata almeno 6 mm al di sopra del pezzo.

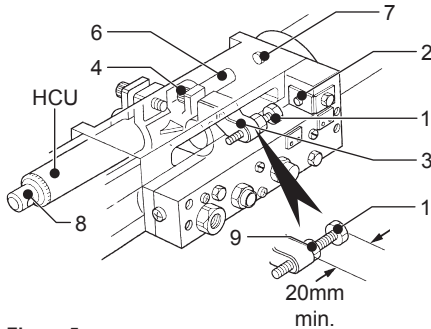


Figura 5



Questa messa a punto si riferisce al modulo con controllo di limitazione avanzamento. Alla messa a punto del modulo normale senza unità HCU occorre non tener conto delle indicazioni ad essa relative.

- Impostare la distanza tra (1) e (2) in modo che risulti uguale alla profondità di foratura richiesta PIU la distanza tra la punta e il pezzo agendo su (3).
- Bloccare in posizione mediante (4) alla coppia prescritta.
- Posizionare l'unità HCU su (3).
- Impostare la distanza tra (6) e (7) come richiesto al di sopra del pezzo.
- Svitare (8) allontanandolo dall'unità HCU per regolarne la resistenza al valore minimo.
- Aprire completamente la Figura 3 (13).
- Chiudere la Figura 3 (11).
- Collegare l'alimentazione dell'aria e premere la Figura 3 (6).
- Per ottenere l'avanzamento e la ritrazione operativi richiesti regolare la Figura 3 (11/13).
- Utilizzare la Figura 5 (1) per la regolazione della profondità finale.
- Bloccare mediante Figura 5 (9).
- Effettuare una serie di forature di prova per determinare l'avanzamento ideale e le tarature dell'unità HCU mediante Fig. 3 (11).

MESSA A PUNTO PER FILETTATURA



Nota 1: È importante che la velocità di avanzamento dell'utensile sia adatta al passo del filetto da maschiare. Se l'avanzamento non è esatto la filettatura risulterà deformata. L'inconveniente è più vistoso sulle materie plastiche e sulle leghe leggere.

Nota 2: La velocità di ritorno deve essere lievemente superiore a quella di filettatura onde garantire lo svincolo efficiente del maschio.

- Montare l'attrezzo con il maschio saldamente bloccato nel mandrino ed effettuare alcune operazioni di filettatura di prova su blocchetto idoneo.
- L'estremità del maschio DEVE risultare almeno 14 mm al di sopra del blocchetto di prova onde consentire l'effettuamento della corsa di innesto inversione della testina porta maschio.
- Impostare la distanza tra Fig. 5 (2) e (1) alla profondità di filettatura PIU la distanza tra il maschio e il pezzo.
- Per ottenere l'avanzamento e la ritrazione operativi richiesti regolare la Figura 3 (11/13).
- Effettuare un'operazione di filettatura di prova e controllare il profilo del filetto finito procedendo alla regolazione di Fig.3 (11/13) e ripetere l'operazione finché non risultano soddisfatte le condizioni di cui alle Note 1 e 2.

NORME DI MANUTENZIONE

Generalità

Lubrificanti prescritti:

- Grasso - Molykote Longterm W2 per scanalature e asta di guida.
- Grasso - Molykote G68 per scatola degli ingranaggi.
- Grasso - Molykote PG75 Plastislip per O-Ring.
- Grasso - BP FG00EP per foro del cilindro.

Norme di pulitura

Requisiti:

- (1) Recipiente per immergere i componenti.
 - (2) Petrolio pulito di buona qualità.
- Immergere i componenti nel recipiente contenente il petrolio.
 - Assicurarsi della loro totale immersione agitandoli per verificare l'avvenuto lavaggio dei condotti dell'aria.
 - Togliere i componenti dal recipiente, asciugarli bene mediante aria compressa applicata ai condotti aria per asportare ogni traccia di umidità.



- Sistemare i componenti in apposito recipiente a tenuta d'aria fino al momento del montaggio.
- Per lo smaltimento del petrolio sporco osservare le disposizioni di legge relative alla salute e sicurezza.

ISTRUZIONI PER LA MANUTENZIONE



Il complessivo bussola è tenuto compresso dalla molla (16). Contrastando opportunamente il carico della molla (16) svitare e asportare con cura la bussola completa e quindi la molla.

- Gli interventi di manutenzione devono essere effettuati a intervalli di utilizzo di 1000 ore. Citare sempre il numero di modello dell'utensile, il numero di serie e il numero del ricambio al momento di effettuare l'ordine dei ricambi.
- Tutti i valori di coppia $\pm 5\%$.
- Scomporre l'attrezzo facendo riferimento alla vista esplosa.
- Pulire tutti i componenti e controllarli con cura per rilevare eventuali tracce di usura o danni e sostituire i componenti difettosi.
- Lubrificare tutti i particolari come indicato in elenco.
- Riposizionare la tenuta frontale dopo aver smontato l'utensile.
- Utensili speciali mostrati nella vista esplosa sono aggiuntivi rispetto agli utensili normali.



Osservare le procedure di smaltimento dei pezzi usurati e dei lubrificanti.



Durante la pulizia dei particolari indossare sempre guanti e occhiali protettivi. Evitare anche di ingerire alimenti o di fumare durante la pulitura, la scomposizione e il montaggio dell'attrezzo.



Instruções originais.

© COPYRIGHT 2015, DESOUTTER HP2 7SJ UK

Todos os direitos são reservados. É proibida qualquer utilização ilícita ou cópia total ou parcial. Isto aplica-se particularmente a marcas registradas, denominações de modelos, número de peças e desenhos. Utilizar apenas peças autorizadas. Qualquer dano ou funcionamento defeituoso provocado pela utilização de peças não autorizadas não será coberto pela garantia do produto e o fabricante não será responsável.

DECLARAÇÃO DE UTILIZAÇÃO

Este produto foi concebido para fazer furos em madeiras, metais e plásticos. Não é permitido outro tipo de utilização. Apenas para utilização profissional. A utilização de peças/acessórios sobresselentes (incluindo mandris indicados no documento) que não as originalmente fornecidas pelo fabricante pode resultar numa quebra de desempenho ou no aumento de acções de manutenção e níveis de vibração e no cancelamento total da responsabilidade do fabricante.

DADOS

- Peso: 10.5 kg
- Pressão máxima de ar $P_{m\acute{a}x} = 8$ bar
- Pressão mínima de ar $P_{m\acute{i}n} = 6$ bar

INSTRUÇÕES DE OPERAÇÃO

Alimentação de ar - Principal

É necessário uma alimentação de ar filtrado e sem água, com uma pressão de 6,3bar, com um débito de 9,9l/s controlado por um regulador de pressão seleccionado no Catálogo do Equipamento de Linha de Ar da Desoutter.

Alimentação de ar - Remoto

Os requisitos básicos são os acima indicados, mas a pressão deverá ser de pelo menos 2,7bar e quando assinalado, o requisito para o débito deverá ser de 0,47 l/s. A duração do sinal deverá ser mantida no mínimo para reduzir o consumo do ar.

Lubrificação

Se for necessária lubrificação, deve ser introduzido um lubrificador de linha de ar a jusante do filtro.

Utilize um lubrificante ISO VG 15.

Nota: a potência máxima é atingida através da utilização de uma fonte de ar lubrificada.

FUNCIONAMENTO



Deverão ser tomadas medidas para uma Paragem de Emergência se a ferramenta for utilizada sozinha ou incorporada numa máquina. A Figura 2 (Ver página 21) fornece um diagrama de circuito apropriado para a concepção de uma Paragem de Emergência.

Válvula de controlo

O módulo do bloco da válvula completo (1) contém todas as funções de controlo e origins dos sinais para controlo externo.

Os controlos e localizações estão identificados a seguir e detalhados na operação de Perfuração.

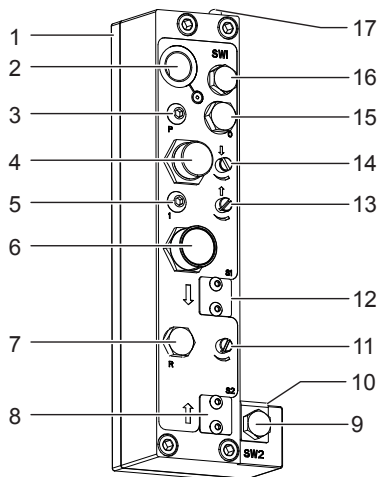



Figura 3

- 1 Módulo do bloco da válvula completo
- 2 Orifício Principal de Entrada de Ar, com rosca de pol BSP ou NPT.
- 3 "P", orifício de Entrada, com rosca M5. Ponto de sinalização para alimentação de martelo ou circuito do Kit de controlo de residência.
- 4 Botão de Retracção Manual (Vermelho).
- 5 "I", orifício de Entrada de Arranque Remoto, com rosca M5. Recebe o sinal externo para iniciar o ciclo da ferramenta.
- 6 Botão de Arranque Manual (Verde).
- 7 "R", orifício de Saída de Retracção, com rosca de pol BSP. Fornecimento de retorno de ar.
- 8* Posição para a Válvula de Solenóide "S2" para Retracção de Emergência Eléctrica.
- 9* Posição para o Interruptor de Proximidade "SW2", detecta um sinal no final de um ciclo para ligação do kit de interface, ou seja, de Elevado nível de profundidade.
- 10 Válvula de Controlo do Curso.
- 11 Parafuso de regulação da alimentação.
- 12* Posição para a Válvula de Solenóide "S1" para Arranque Eléctrico.

- 13 Parafuso de Regulação da Velocidade de Retracção.
- 14 Parafuso de regulação do avanço.
- 15 Orifício "O", com rosca de 1/8 polegada BSP recebe o sinal para voltar a colocar o alimentador na posição de arranque para alimentação de martelo ou controlo de residência.
- 16* Posição para Interruptor de Proximidade "SW1", detecta um sinal no início de um ciclo para ligação do kit de interface. (Ou seja, é de nível Elevado na posição de referência).
- 17 Orifício "M", com rosca em M5. Utilizado para controlo de sequência. O sinal é emitido quando a ferramenta está em descanso.
- (*) Disponível na forma de KIT, Ver Catálogo Desoutter para detalhes.

 O orifício "M" destina-se à operação das válvulas piloto. Não pode ser utilizado como uma fonte de alimentação de ar para outros fins.

Válvula de comando simples

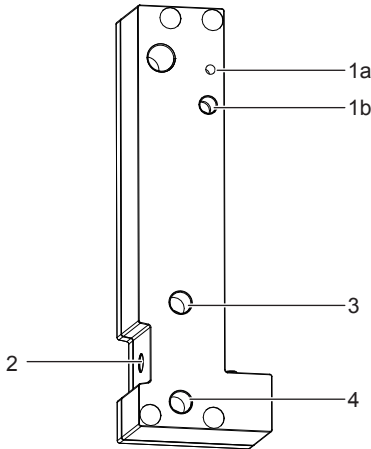




Figura 4

- 1a Posição do interruptor de proximidade SW1, utilizando o pino de comando.
- 1b Posição do interruptor de proximidade SW1, utilizando a manga no tubo de extensão.
- 2 Posição do interruptor de proximidade SW2, detecta um sinal quando a ferramenta tiver atingido a profundidade.
- 3 Porta de Ar de retracção, com rosca 1/8 pol. BSP.
- 4 Porta de Ar de avanço, com rosca 1/8 pol. BSP.

Este módulo do bloco da válvula de controlo é utilizado quando a ferramenta vai ser utilizada com controlo remoto.

Quer (1a) quer (1b) detecta um sinal quando a ferramenta se encontra no ponto de partida.

 O circuito exterior será necessário para controlar a velocidade das alimentações de avanço e de recuo.

 Quando utilizar o bloco de controlo simples substitua o parafuso (55) pelo parafuso de cabeça prolongada (383983).

Acessórios

Grampos de Montagem

Encontra-se à disposição uma gama de grampos de bases e colunas.

Podem obter todos os pormenores da Desoutter.

Unidade de Retenção Hidráulica (HCU)

A ferramenta funcionará de forma satisfatória quando perfurar um buraco cego à velocidade de alimentação previamente regulada.

Se for necessário atravessar o material e possivelmente ainda ter de entrar noutro furo, ocorrerá uma aceleração da alimentação havendo a possibilidade da broca partir.

Para que isto não aconteça, recomenda-se vivamente a utilização de uma HCU.

Para mais informações, contacte a Desoutter.

Perfuradoras de Alimentação de Martelo

O Sistema de Perfuradoras de Alimentação de Martelo Desoutter deverá ser utilizado quando a profundidade do furo a ser feito é igual ou superior a cinco vezes o diâmetro do furo.

Isto ajuda a limpar as lascas da perfuração e evita um sobreaquecimento excessivo da broca da perfuradora.

A precisão do tamanho do furo pode ser melhorada e o desgaste da broca da perfuradora é mantido no mínimo.

Para mais informações, consulte a Desoutter.

REGULAÇÃO DA OPERAÇÃO DE PERFURAÇÃO

A perfuradora deverá estar pelo menos 6mm acima da peça a trabalhar.

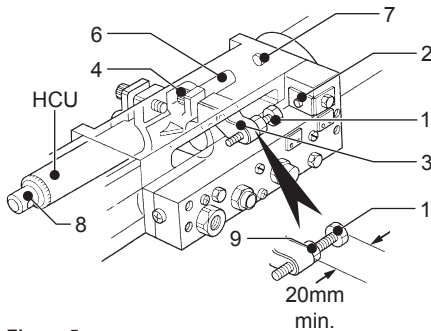


Figura 5

i Esta regulação fornece pormenores para uma unidade com HCU, as referências para a HCU deverão ser ignoradas quando se estiver a regular a ferramenta standard.

- Regule o espaço entre (1) e (2) de forma a ficar igual à profundidade do furo requerido, MAIS a distância em que a broca está acima da peça a ser trabalhada através de deslize (3).
- Bloqueie na posição com (4) para o binário recomendado.
- Posicione a HCU em (3).
- Regule o espaço entre (6) e (7) para uma distância conforme requerida acima da peça a ser trabalhada.
- Desaparafuse (8) da HCU para ajustar a resistência na HCU para o mínimo.
- Abra totalmente (13), Figura 3.
- Feche (11), Figura 3.
- Ligue a alimentação de ar e premir (6), Figura 3.
- Regule a Figura 3 (11/13) de forma a obter as alimentações de avanço e de recuo para a operação.
- Utilize (1), Figura 5, para o ajustamento de profundidade final.
- Bloqueie utilizando (9), Figura 5.
- Efectue uma série de furos experimentais para determinar o avanço ideal e as regulações da HCU utilizando (11), Figura 3.

REGULAÇÃO DE OPERAÇÃO DE ABERTURA DE ROSCA

- i** **Nota 1:** É importante que a velocidade de avanço da ferramenta seja regulada para coincidir com o passo da rosca que vai ser perfurada. Uma velocidade de avanço incorrecta resultará numa rosca deformada. Isto será mais evidente em plástico ou materiais de liga leve.
- Nota 2:** A velocidade de retracção deverá ser regulada de forma a retirar o macho de rosca a uma velocidade ligeiramente mais rápida do que aquela com que avançou; isto irá garantir uma saída limpa.

- Monte uma ferramenta com o macho de rosca escolhido, preso de forma segura à bucha, em cima de um bloco de ensaio, para efectuar operações de abertura de rosca de amostra.
- A extremidade do macho da rosca TEM deve estar pelo menos 14mm acima do bloco de ensaio para permitir o curso da engrenagem de inversão da cabeça do macho da rosca.
- Regule o espaço entre (2) e (1), Figura 5, de forma a ficar igual à profundidade da abertura de rosca MAIS a distância a que o macho de rosca está acima da peça a ser trabalhada.
- Regule a Figura 3 (11/13) de forma a obter as alimentações de avanço e de recuo para a operação.
- Prossiga uma operação de ensaio de abertura de rosca e inspecione a forma da rosca acabada, ajuste conforme for necessário (11/13), Figura 3, e repita até que as informações nas notas 1 e 2 sejam seguidas.

REQUISITOS DE ASSISTÊNCIA

Notas gerais

Utilize os seguintes lubrificantes:

- Massa lubrificante - Molykote Logterm W2 para estrias e hastegua.
- Massa lubrificante - Molykote G68 para Caixa de Velocidades.
- Massa lubrificante - Molykote PG75 Plastislip para O-Rings.
- Massa lubrificante - BP FG00EP para diâmetro de cilindro.

Limpeza

Requisitos:

(1) Contentor para mergulhar os componentes.

(2) Parafina limpa de boa qualidade.

- Impregnar os componentes no contentor contendo a parafina.
- Certifique-se de que a imersão é total, agite os componentes de forma a assegurar-se que as passagens de ar também são mergulhadas.
- Retire os componentes do contentor, seque-os totalmente e de forma uniforme, sobre as passagens de ar para retirar a humidade.
- Coloque os componentes num contentor impermeável ao ar até serem necessários para montagem.
- Proceda à eliminação da parafina suja de acordo com os regulamentos de saúde e segurança.

INSTRUÇÕES DE MANUTENÇÃO



A manga de rolamento cilíndrico completa encontra-se sob uma compressão de mola (16). Desaparafuse e remova cuidadosamente a manga de rolamento cilíndrico completa; durante esta operação terá de fazer resistência ao impulso da mola (16). A seguir retire a mola.

- A assistência deve ser efectuada em intervalos de 1000 horas de utilização. Quando encomendar peças sobresselentes, refira sempre o número de modelo da ferramenta, o número de série e o número da peça sobresselente.
- Todos os valores de binário \pm 5%.
- Desmonte a ferramenta utilizando um diagrama do esquema de montagem das peças.
- Limpe todos os componentes e inspeccione prestando particular atenção a danos e desgaste, substitua-os se necessário.
- Aplique lubrificante novo nas peças relevantes de acordo com a lista.
- Monte a ferramenta utilizando o diagrama do esquema de montagem de peças.
- Substitua o vedante dianteiro depois de desmontar a ferramenta.



Ao descartar componentes, lubrificantes, etc., certifique-se de que os procedimentos de segurança relevantes são observados.



Durante a limpeza das peças deverão ser utilizadas luvas de protecção e óculos de protecção.. É proibido comer ou fumar durante a limpeza, desmontagem ou montagem de uma ferramenta.



Alkuperäiset ohjeet.

© COPYRIGHT 2015, DESOUTTER HP2 7SJ UK

Kaikki oikeudet pidätetään. Sisällön tai sen osien luvaton käyttö tai kopiointi on kielletty. Tämä koskee erityisesti tavaramerkkejä, mallimerkintöjä, osanumeroita ja piirustuksia. Käytä ainoastaan alkuperäisiä osia. Takuu tai tuotevastuu ei kata muiden kuin alkuperäisten osien käytöstä aiheutunutta vahinkoa tai vikaa.

KÄYTTÖILMOITUS

Tämä tuote on tarkoitettu reikien poraamiseen puuhun, metalliin ja muoviin. Muunlainen käyttö ei ole sallittua. Tuote on tarkoitettu vain ammattilaiskäyttöön. Muiden kuin valmistajan alunperin toimittamien varaosien/lisävarusteiden (mukaan lukien tässä asiakirjassa mainitut istukat) käyttäminen saattaa heikentää tuotteen suorituskykyä tai lisätä huoltotarvetta ja tärinää sekä aiheuttaa valmistajan vastuun raukeamisen.

TIEDOT

- Paino: 10.5 kg
- Suurin ilmanpaine Pmax = 8 baria
- Pienin ilmanpaine Pmin = 6 baria

KÄYTTÖOHJEET

Ilmansyöttö - pääjohto

Tarvitaan vedetöntä ja suodatettua ilmaa, jonka paine on 6,3 bar (91,4 Psig) ja virtausnopeus 9,9l/s (21 cu.ft/min) ja jota säädetään Desoutter-pneumatiikkaluettelosta valitulla painesäätimellä.

Ilmansyöttö - kauko-ohjaus

Perusvaatimukset ovat samat kuin yllä, mutta paineen on oltava vähintään 2,7 bar (40 Psig) ja virtausnopeusvaatimus signaalin tulussa 0,47l/s (1 cu.ft/min). Signaalin kestoaika on pidettävä mahdollisimman lyhyenä ilmapuutuksen vähentämiseksi.

Voiteluminen

Jos voitelu on tarpeen, suodattimen jälkeen on asennettava paineilma-verkon voitelulaite.

Noudata ISO VG 15 -luokitusta.

Huomautus: täysi teho saavutetaan käyttämällä voideltua ilmansyöttöä.

KÄYTTÄMINEN

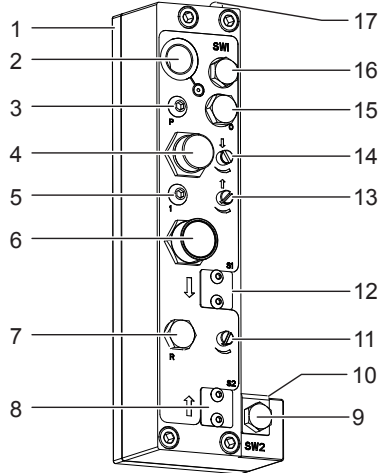


Järjestelmä on voitava pysäyttää hätäkytkimestä, jos työkalua käytetään ilman valvontaa tai jos se on liitetty johonkin koneeseen. Hätäkytkimen tekemiseen soveltuva piirikaavio on esitetty kuvassa 2. (Ks. sivu 21).

Ohjausventtiili

Täydellinen ohjausventtiili (1) sisältää kaikki ohjaukset sekä signaalipaikat kauko-ohjausta varten.

Säätimet ja niiden sijainnit on lueteltu alla ja niistä on kerrottu lähemmin kohdassa Porausasetukset.



Kuva 3

- 1 Venttiiliyksikkö täydellisenä
- 2 Ilman pääsyttöliitäntä, BSP- tai NPT-kierre.
- 3 'P'-sisääntulo, M5-kierre. Signaalitulo iskuporasyyttöä tai Dwell-ohjauspiiriä varten.
- 4 Paluuliikkeen painike (punainen)
- 5 Kaukokäynnistyksen 'I'-sisääntulo, M5- kierre. Tähän tulee ulkopuolinen signaali työjaksen käynnistämiseksi.
- 6 Käynnistyspainike (vihreä)
- 7 Paluu liikkeen 'R'-lähtö, "BSP-kierre. Tämä tukee ulkoista paluusignaalia. Tuloilma ilman palautusta varten.
- 8* Paikka 'S2'-magneettiventtiiliä varten sähköistä hätäpaluuliikettä varten.
- 9* Paikka 'SW2'-lähestymiskytkintä varten, joka havaitsee signaalin työjaksen lopussa ja joka kytketään varusteliitäntään (ts. se on huipussaan liikkeen lopussa).
- 10 Työiskun ohjausventtiili.
- 11 Syöttönopeuden säätöruuvi.
- 12* Paikka 'S1' -magneettiventtiilille sähkökäynnistystä varten.
- 13 Paluunopeuden säätöruuvi.
- 14 Syöttöliikkeen säätöruuvi.
- 15 'G'-liitäntä, 1/8" BSP-kierre, vastaanottaa signaalin syötön palauttamiseksi aloituskohtaan iskuporasyytössä tai Dwell-ohjauksessa.
- 16* Paikka 'SW1' -lähestymiskytkimelle, joka havaitsee signaalin työjaksen alussa ja joka kytketään varusteliitäntään (ts. se on huipussaan peruspisteessä).
- 17 'M'-säätimet, M5-kierre. Käytetään työvaiheiden järjestyksen ohjaukseen.



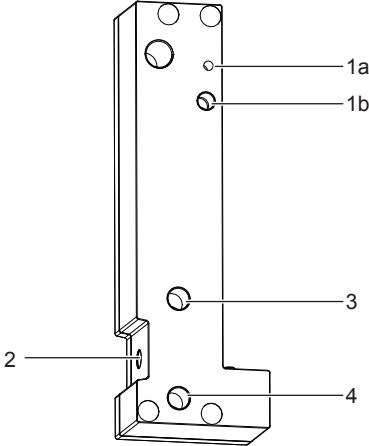
Signaali muodostuu silloin, kun työkalu on levossa.

(*) Saatavissa laitepakettina. Katso lisätietoja Desoutterin tuoteluettelosta.



'M'-liitäntä on tarkoitettu esiohjausventtiileille. Siitä ei saa ottaa paineilmaa muihin tarkoituksiin.

Yksinkertainen ohjausventtiili



Kuva 4

- 1a Paikka SW1-lähestymiskytkimelle, toiminta kytkentänastan avulla.
1b Paikka SW1-lähestymiskytkimelle, toiminta käyttäen holkkia jatkoputken päällä.
2 Paikka SW2 lähestymiskytkimelle. Tunnistaa signaalin, kun työkalu on edennyt määräsyyvyteen.
3 Paluuliikkeen ilma-aukko, kierre 1/8" BSP.
4 Syöttöliikkeen ilma-aukko, kierre 1/8" BSP.

Tätä ohjausventtiiliyksikköä käytetään työkalun kauko-ohjaukseen.

Sekä (1a) että (1b) tunnistavat signaalin, kun työkalu on alkuaennossaan.



Syöttö- ja paluuliikkeen nopeuden säädössä tarvitaan ulkoista piiriä.



Käytettäessä yksinkertaista ohjauslohkoa on ruuvi (55) korvattava pitkäpäisellä ruuvilla (383983).

Lisävarusteet

Kiinnikkeet

Saatavissa on erilaisia kiinnitystarvikkeita. Lisätietoja Desoutterilta.

Hydraulinen jarruyskikkö (HCU)

Työkalu toimii tyydyttävästi, kun porataan sokeaa reikää asetetulla syöttönopeudella.

Jos on porattava materiaalin läpi ja kenties vielä toiseen reikään, terän syöttö nopeutuu ja pora mahdollisesti rikkoutuu.

Tämän välttämiseksi on erittäin suositeltavaa asentaa hydraulinen jarruyskikkö.

Lisätietoja Desoutterilta.

Iskuporat

Desoutterin iskuporajärjestelmää on syytä käyttää, kun porattavan reiän syvyys on yli viisi kertaa suurempi kuin reiän halkaisija.

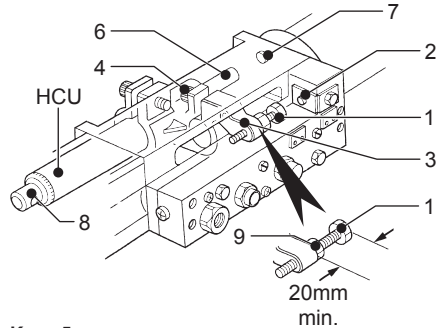
Tämä helpottaa porauslastujen poistumista ja estää terää kuumenemasta liikaa.

Reiän mittatarkkuus paranee ja terän heitto pysyy minimissään.

Lisätietoja Desoutterilta.

PORAUSASETUKSET

Poran on oltava vähintään 6 mm työkalupaleen yläpuolella.



Kuva 5

Nämä porausasetukset koskevat hydraulisella jarruyskikköllä varustettua laitetta, viittaukset jarruyskikköön voidaan ohittaa tehtäessä tavallisia työkaluasetuksia.

- Aseta kohtien (1) ja (2) välinen väli yhtä suureksi kuin tarvittava porausrypyys PLUS etäisyys poran terästä työkalupaleeseen siirtämällä kohtaa (3).
- Lukitse paikalleen kiristämällä kohta (4) suositeltuun vääntömomenttiin.
- Sijoita hydraulinen jarruyskikkö kohtaan (3).
- Jätä kohtien (6) ja (7) väliin tarvittava etäisyys työkalupaleeseen.
- Irrota (8) pois jarruyskikköstä säätääksesi jarruyskikkön vastuksen minimiinsä.
- Avaa kuvassa 3 oleva osa (13) kokonaan.
- Sulje kuvassa 3 oleva osa (11).
- Kytke ilmansyöttö ja paina kuvassa 3 olevaa osaa (6).
- Säädä kuva 3 (11/13) tarvittavan syöttö- ja paluuliikkeen aikaansaamiseksi.



- Säädä lopullinen syvyys kuvan 5 osalla (1).
- Lukitse kuvan 5 osalla (9).
- Tee sarja koeporauksia, joilla määrität parhaan mahdollisen etenemän ja jarruyksikön asetukset käyttäen kuvan 3 osaa (11).

KIERTEITYSASETUKSET



Huomautus 1: On tärkeää säätää työkalun etenemisnopeus vastaamaan kierteitettävän kierteen nousua.

Väärä etenemisnopeus saa aikaan epämuodostuneen kierteen. Tämä ilmenee vielä selvemmin muoveissa tai kevytmetalliseoksissa.

Huomautus 2: Paluuliikkeen nopeus on säädettävä siten, että kierteitysterä palaa vähän nopeammin kuin eteenpäin mennessään. Näin saadaan aikaan puhdas paluu.

- Kun valittu kierteitysterä on kiinnitetty istukkaan, kiinnitä työkalu koekappaleen yläpuolelle ja suorita muutama koekierteitys.
- Kierteitysterän pään ON OLTAVA vähintään 14 mm koekappaleen yläpuolella, jotta kierteityslaitteen peruutusliikkeelle jää tilaa.
- Aseta kuvassa 5 olevien kohtien (2) ja (1) välinen väli yhtä suureksi kuin tarvittava kierteityssyvyys PLUS etäisyys poran terästä työkaluun.
- Säädä kuva 3 (11/13) tarvittavan syöttö- ja paluuliikkeen aikaansaamiseksi.
- Tee koekierteitys ja tarkista syntyneen kierteen muoto. Säädä tarvittaessa kuvan 3 osia (11/13) ja toista koe, kunnes huomautuksen kohdissa 1 ja 2 mainitut asiat ovat kunnossa.

HUOLTOVAATIMUKSET

Yleistä

Käytä seuraavia voiteluaineita:

- Rasva - Molykote Longterm W2 ura-akselia ja ohjaintankoa varten.
- Rasva - Molykote G68 vaihteistoon.
- Rasva - Molykote PG75 Plastislip O-renkaita varten.
- Rasva - BP FG00EP sylinteriä varten.

Puhdistus

Vaatimukset:

- (1) Säiliö osien upottamista varten.
 - (2) Hyvänlaatuista puhdasta parafiinia.
- Upota osat parafiiniin.
 - Heiluta osia niiden ollessa täysin upoksissa, jotta ilmanavat huuhtoutuvat.

- Nosta osat parafiinisäiliöstä, kuivaa ne huolellisesti ja puhalla ilmaa ilmanaviin kosteuden poistamiseksi.
- Aseta osat ilmatiiviiseen säiliöön odottamaan asennusta.
- Hävitä likainen parafiini terveys- ja turvamääräysten mukaisesti.

HUOLTO-OHJEET



Laakeriholkin osakokoonpano on jousen (16) puristuksessa. Jousen (16) tvöntövoimaa vastustaen laakeriholkin kokoonpano kierretään auki ja poistetaan varovasti. Lopuksi poistetaan jousi.

- Huolto on tehtävä 1000 käyttötunnin välein. Mainitse aina työkalun mallinumero, sarjanumero ja varaosanumero, kun tilaat osia.
- Kaikki kiristysmomenttiarvot $\pm 5\%$.
- Pura työkalu räjäytyskuvaa apuna käyttäen.
- Puhdista kaikki osat ja tarkista ovatko ne kuluneet tai vahingoittuneet ja vaihda tarvittaessa.
- Laita uusi voiteluaine voiteluluettelon mukaisiin kohteisiin.
- Kokoa työkalu räjäytyskuvaa apuna käyttäen.
- Vaihda etutiiviste purettuasi työkalun.
- Normaalin korjaamotyökalujen lisäksi käytetään räjäytyskuvassa näkyviä erikoistyökaluja.



Noudata komponenttien ja voiteluaineiden hävittämisessä asiaankuuluvia turvallisuusohjeita.



Osien puhdistuksen aikana on käytettävä käsineitä ja silmäsuojaimia. Syöminen tai tupakointi on kielletty työkalun puhdistamisen, purkamisen tai kokoonpanon aikana.



Originalinstruktioner.

© COPYRIGHT 2015, DESOUTTER HP2 7SJ UK

Alla rättigheter förbehållna. All icke-auktoriserad användning eller kopiering av innehållet eller del därav är förbjuden. Detta gäller speciellt för varumärken, modellbeteckningar, komponentnummer och ritningar. Använd endast originaldelar. Skador eller funktionsstörningar, som vållas av att andra delar används omfattas inte av garantin eller produktansvaret.

ANVÄNDNINGSUPPGIFT

Den här produkten är avsedd för borring av hål i trä, metall och plast. Ingen annan användning är tillåten. Endast för yrkesmässigt bruk. Användning av andra reservdelar/tillbehör (inklusive chuckar som nämns i dokumentet) än de som från början tillhandahålls av tillverkaren kan leda till minskade prestanda eller ökat underhåll och höjd vibrationsnivå och i att tillverkarens ansvar annulleras.

DATA

- Vikt: 10.5 kg
- Maximalt lufttryck Pmax = 8 bar
- Minimalt lufttryck Pmin = 6 bar

DRIFTINSTRUKTIONER

Lufttillförsel - huvudledning

Anslutning ska ske till en ledning med filterrad, torr tryckluft. Tillförseln ska ha ett tryck på 6,3 bar och en flödes hastighet på 9,9 l/s, styrd av en tryckregulator från tillbehörskatalogen till Desoutters tryckluftsverktyg.

Lufttillförsel - fjärrmanövrering

Baskraven är samma som för huvudledningen, men trycket måste vara minst 2,7 bar och flödeskraven vid signalgivning är 0,47 l/s. Signallängden ska vara så kort som möjligt för att minska luftkonsumtionen.

Smörjning

Om smörjning krävs ska en smörjapparat för luftledning monteras nedströms från filtret. Använd ISO VG 15.

Obs! Full effekt uppnås vid användning av smord lufttillförsel.

FUNKTION

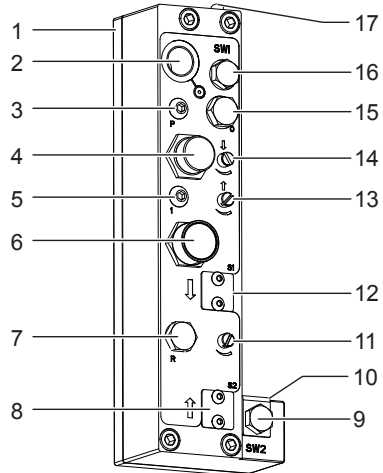


Verktyget måste vara försett med nödstopp om det ska användas enskilt eller byggas in i en maskin. Figur 2 visar ett elschema för montering av nödstopp. (Se sid. 21).

Reglerventil

Ventilmodulen (1) innehåller alla kontrollfunktioner och signaluppsättningar som behövs för extern styrning.

Kontrollerna och deras placering framgår av uppställningen nedan och finns även beskrivna i "Borrinstruktioner".



Figur 3

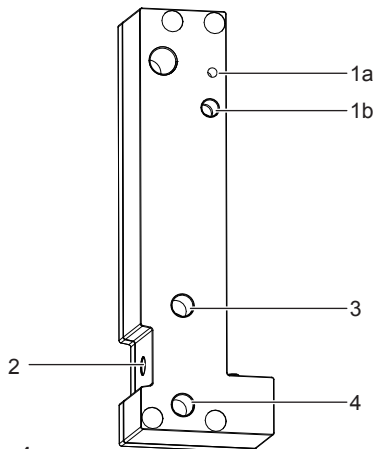
- 1 Ventilmodul
- 2 Ingång för huvudlufttillförsel, 1/4", BSP- eller NPT- gängad.
- 3 "P"-ingång, M5-gängad. Signalpunkt för fram- och återgående rörelse eller krets för fördröjningskontrollats.
- 4 Knapp (röd) för manuell återföring.
- 5 "I"-ingång för fjärrstart, M5-gängad. Tar emot externa signaler för att starta verktyget.
- 6 Knapp (grön) för manuell start.
- 7 "R"-utgång för återföring. 1/4", BSP-gängad. Tillförsel tillluftretur.
- 8* "S2" magnetventil för elektronisk nödåterföring.
- 9* "SW2" beröringsfri kontakt, upptäcker en signal vid slutet av en arbetscykel för anslutning av gränssnittssats, (d v s den är hög vid djupläge).
- 10 Reglerventil för slaglängden.
- 11 Ställskruv för matningshastighet.
- 12* "S1" magnetventil för elstart.
- 13 Reglerskruv för minskad återföringshastighet.
- 14 Ställskruv för framföringshastighet.
- 15 "O"-ingång, 1/8", BSP-gängad. Tar emot signal för att återställa matningen till startläge för fram- och återgående rörelse eller fördröjningsstyrning.
- 16* "SW1" beröringsfri kontakt, upptäcker en signal vid början av en arbetscykel för anslutning av gränssnittssats, (d v s den är hög i utgångsläge).
- 17 "M"-ingång, M5-gängad. Används för sekvensstyrning. Signalen uppkommer när verktyget står i viloläge.



(*) Finns som komplett sats. Mer information finns i Desoutter-katalogen.

i "M"-ingången ska användas för drift av styrventiler. Den får inte användas som lufttillförsel för andra användningar.

Enkel manöverventil



Figur 4

- 1a Läge för beröringsfri kontakt SW 1, vid användning av utlösningstift.
- 1b Läge för beröringsfri kontakt SW 1, vid användning av hylsa på förlängningsrör.
- 2 Läge för beröringsfri kontakt SW 2, som känner av en signal när verktyget har nått det inställda djupet.
- 3 Tryckluftsanslutning för retrorrörelse, 1/8" rörgånga.
- 4 Tryckluftsanslutning för matningsrörelse, 1/8" rörgånga

Den här reglerventilen används när verktyget ska fjärrstyras.

Både (1a) och (1b) känner av en signal när verktyget står i utgångsläget.

i En extern styrkrets måste användas för att styra den fram- och återgående rörelsens hastighet.

i Vid användning av en enkel styrenhet ska skruven (55) bytas ut mot en skruv med förlängd skalle (383983).

Tillbehör

Monteringsbyglar

En komplett serie byglar, socklar och pelare finns.

Kontakta Desoutter för mer information.

Hydraulisk styrenhet (HCU)

Verktyget fungerar väl när man borrar ett

bottenhål med inställd matningshastighet.

Om det krävs att borren går igenom materialet och eventuellt in i ett annat hål, ökar matningen vilket kan leda till att borren går sönder.

För att undvika detta rekommenderar vi att HCU monteras.

Kontakta Desoutter för mer information.

Borring med fram- och återgående rörelse

Desoutters system för borring med fram- och återgående rörelse bör användas när hålets djup är fem gånger eller mer djupare än hålets diameter.

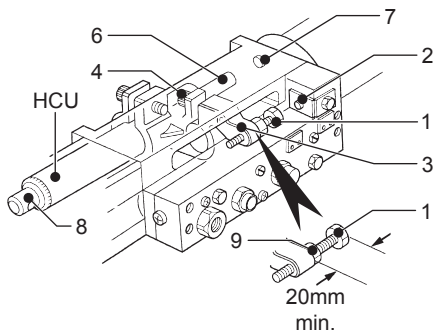
Systemet hjälper till att hålla hålet fritt från spån och motverkar överhettning av borren.

Håldiametern blir exaktare och förlitningen av borren minimeras.

Kontakta Desoutter för mer information.

INSTÄLLNING FÖR BORRING

Borren måste vara minst 6 mm ovanför arbetsstycket.



Figur 5

i Figuren visar en enhet med HCU. Anvisningar för HCU gäller inte för inställning av ett standardverktyg.

- Ställ in avståndet mellan (1) och (2) genom att skjuta (3) så att det motsvarar det djup som ska borrar PLUS avståndet från borren till arbetsstycket.
- Lås i rätt läge med hjälp av (4) till rekommenderat moment.
- Sätt HCU i läge (3).
- Ställ in det avstånd mellan (6) och (7) som krävs ovanför arbetsstycket.
- Skruva bort (8) från HCU för att bringa motståndet i HCU till ett minimum.
- Öppna 13 helt och hållet (figur 3).
- Stäng 11 (figur 3).
- Anslut lufttillförseln och tryck på 6 (figur 3).
- Ändra tig. 3 (11/13) för att ge den erforderliga framförings- och återföringshastigheten.

- Använd 9 (figur 5) för slutlig inställning av borrhjulet.
- Stäng med hjälp av 10 (figur 5).
- Gör några provborringar för att fastställa det ideala avståndet och de ideala HCU-inställningarna med hjälp av 11 (figur 3).

INSTÄLLNING FÖR GÄNGNING



Obs! 1: Det är viktigt att verktygets införingshastighet ställs in efter gängan som ska gängas. Felaktig införingshastighet resulterar i förstörda gånger. Detta framträder tydligast i plast och lättmetall.

Obs! 2: Återföringshastigheten bör ställas in så att gängtappen dras tillbaka något snabbare än den fördes in. På så vis undviker man att gängan skadas.

- Montera ett verktyg med rätt gängtapp ordentligt fastsatt i chucken ovanför ett teststycke där du kan utföra några provgångningar.
- Spetsen på gängtappen MÅSTE befinna sig minst 14 mm ovanför teststycket så att gängtappen kan gå tillbaka på rätt sätt.
- Ställ in avståndet mellan (2) och (1) på figur 5 så att det motsvarar gängdjupet PLUS avståndet från gängtappen till arbetsstycket.
- Ändra fig. 3 (11/13) för att ge den erforderliga framförings- och återföringshastigheten.
- Gör en provgångning och kontrollera därefter gängningen. Utför nödvändiga justeringar av (11/13) på figur 3 och upprepa tills kraven i Obs! 1 och 2 uppfylls.

SERVICEINSTRUKTIONER

Allmänt

Använd följande smörjmedel:

- Fett - Molykote Longterm W2 till splines och styrskena.
- Fett - Molykote G68 till växelhus.
- Fett - Molykote PG75 Plastislip till O-ringar.
- Fett - BP FG00EP till cylinderlopp.

Rengöring

Krav:

- (1) Kär! för att sänka ned delar i.
 - (2) Ren fotogen av god kvalitet.
- Blötlägg delarna i fotogenbadet.
 - Se till att alla delar blir ordentligt genomsköljda.
 - Tag upp dem och torka dem därefter noggrant.
 - Kontrollera att luftpassagera blir fria från fukt.

- Lägg delarna i en lufttät behållare tills de åter ska monteras.
- Gör dig av med den nedsmutsade fotogenen i enlighet med miljö- och skyddsföreskrifter.

UNDERHÅLLSINSTRUKTIONER



Den kompletta lagerbussningen står under tryck från fjädern (16). Håll emot trycket från fjädern (16) och skruva försiktigt loss och tag bort den kompletta lagerbussningen, följd av fjädern.

- Service bör utföras med intervall på 1000 timmars användning. Ange alltid verktygsmodellnummer, serienummer och reservdelsnummer när du beställer reservdelar.
- Alla vridmomentssiffror $\pm 5\%$.
- Ta isär verktyget enligt sprängskissen.
- Rengör alla delar och kontrollera dem med avseende på slitage och skador och byt ut dem vid behov.
- Lägg på fett där så behövs enligt uppställningen.
- Montera ihop verktyget enligt sprängskissen.
- Byt den främre packningen efter isärtagning av verktyget.



När du gör dig av med komponenter, smörjmedel o.s.v. ser du till att relevanta säkerhetsprocedurer utförs.



Bär skyddshandskar och -glasögon vid rengöring av delar. Det är förbjudet att äta eller röka när man rengör, tar isär eller sätter ihop verktyget.

Opprinnelige instruksjoner.

© COPYRIGHT 2015, DESOUTTER HP2 7SJ UK

Alle rettigheter forbeholdes. All ikke-autorisert anvendelse eller kopiering av innhold eller deler av dette, er forbudt. Dette gjelder spesielt varemerker, modellbetegnelser, delenummer og tegninger. Bruk kun originaldeler. Skader eller funksjonsforstyrrelser som følge av at uoriginale deler er blitt brukt, omfattes ikke av garantien eller fabrikantens produktansvar.

BRUKSERKLÆRING

Dette produktet er beregnet på å drille hull i tre, metall og plast. Ingen andre bruksområder er tillatt. Kun til profesjonell bruk. Hvis det blir brukt reservedeler/tilbehør (inkludert borpatroner som er oppgitt i dokumentet) som ikke er levert av produsenten, kan dette medføre dårligere ytelse, større behov for vedlikehold og mer vibrasjon, og produsentens produktansvar vil opphøre.

TEKNISKE DATA

- Vekt: 10.5 kg
- Maksimum lufttrykk (Pmax) = 8 bar
- Minimum lufttrykk (Pmin) = 6 bar

BRUKERINSTRUKSJONER

Lufttilførsel - hoved

Kravene til lufttilførselen er at den må være filtrert og fri for vann.

Trykket må være 6,3 bar med en strømningsmengde på 9,9 l/s, styrt av en trykkregulator. Trykkregulatoren som benyttes, må være av en type som finnes i katalogen "Desoutter Air Line Service Equipment".

Lufttilførsel - ekstern

De grunnleggende kravene til denne lufttilførselen er de samme som ovenfor, med unntak av trykket, som må minst være 2,7 bar. Strømningsmengden må være minst 0,47 l/s ved signalgivning. Lengden på signalet skal være kortest mulig for å redusere forbruket av luft.

Smøring

Hvis smøring er nødvendig, skal det installeres en smøreenhet etter filteret.

Bruk ISO VG 15.

Merk: Full kraft oppnås ved bruk av lufttilførsel med smøring.

BRUK

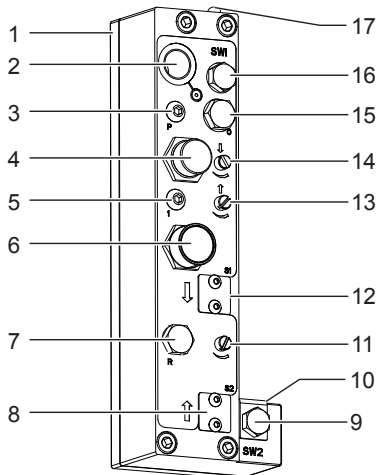


Verktøyet må styres med en nødstopp hvis det brukes frittstående eller bygges inn i en maskin. Et kretsskjema som kan benyttes som underlag for å lage en nødstopp, er vist på figur 2. (Se side 21).

Betjeningsventil

Den komplette betjeningsventilblokkmodulen (1) inneholder alle funksjoner og signalutganger for ekstern styring.

Betjeningsorganene og deres plassering er angitt nedenfor og beskrevet i detalj under teksten som omhandler boring.



Figur 3

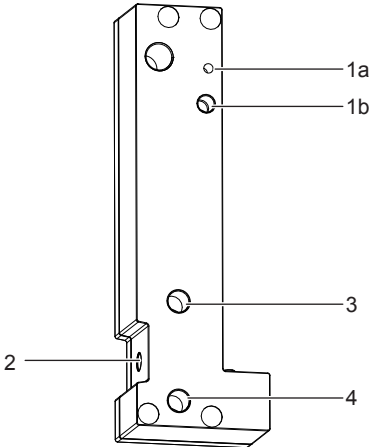
- 1 Komplette betjeningsventilblokkmodul
- 2 Inngangsport for hovedluft, gjenget 1/4" BSP eller NPT.
- 3 "P" Inngangsport, gjenget MS. Signalport for pakkemating eller Dwell styrekretssett.
- 4 Knapp for manuell tilbaketrekkning (rød).
- 5 "I" Inngangsport for fjernstart, gjenget M5. Mottar eksternt signal for oppstart av verktøysyklus.
- 6 Knapp for manuell start (grønn).
- 7 "R" Utgangsport for tilbaketrekkning, gjenget 1/4" BSP. Tilførsel for luftretur.
- 8* Posisjon for "S2" magnetventil for elektrisk styrt nødtilbaketrekkning.
- 9* Posisjon for "SW2" avstandsbytter. Detekterer et signal på slutten av en syklus for tilkobling av grensesnittsett (dvs. den er HØY ved slutttyddeposisjon).
- 10 Reguleringsventil for slaglengde.
- 11 Reguleringssskrue for matehastighet.
- 12* Posisjon for "S1" magnetventil for elektrisk start.
- 13 Reguleringssskrue for tilbaketrekkingshastighet.
- 14 Reguleringssskrue for fremføringshastighet.
- 15 "O"-port, gjenget 1/8". Mottar signal for å sette matingen tilbake til startposisjon for pakkemating eller Dwell-styring.
- 16* Posisjon for "SW1" avstandsbytter. Detekterer et signal på begynnelsen av en syklus for tilkobling av grensesnittsett (dvs. er høy ved nullpunktposisjon).



- 17 "M"-port, gjenget M5. Brukes til sekvensstyring. Signal blir gitt når verktøyet står stille.
- (*) Kan leveres som et SETT. Se katalog fra Desoutter for mer detaljert informasjon.

i "M"-porten er beregnet for drift av styreventiler. Den må ikke brukes som kilde for lufttilførsel til andre formål.

Enkel kontrollventil



Figur 4

- 1a Plassering for nærhetsbryter SW1 ved bruk av betjeningsspake.
- 1b Plassering for nærhetsbryter SW1 ved bruk av hylse på forlengelsesrøret.
- 2 Plassering for nærhetsbryter SW2. Registrerer et signal når verktøyet har nådd full dybde.
- 3 Port for luft til tilbaketrekking, gjenget 1/8 tomme BSP.
- 4 Port for luft til fremføring, gjenget 1/8 tomme BSP.

Betjeningsventilblokkmodulen brukes i de tilfeller der verktøyet skal fjernstyres.

Både (1a) og (1b) registrerer et signal når verktøyet står i nullposisjon.

i Det er nødvendig med eksterne kretser for å styre matehastigheten på fremføring og tilbaketrekking.

i Når du bruker enkel styreblokk, må du bytte ut skruer (55) med forlenget hodeskrue (383983).

Tilbehør

Festeklemmer

Et utvalg av klemmesett kan leveres.

Detaljerte opplysninger fås ved henvendelse til Desoutter.

Hydraulisk kontrollenhet (HCU)

Verktøyet vil fungere tilfredsstillende ved boring av et blindhull med den innstilte matehastigheten.

Hvis det er nødvendig å bore gjennom materialet og videre med et nytt hull i et annet materialstykke, vil det oppstå en hastighetsøkning som kan medføre at boret brytter.

For å hindre dette anbefales det på det sterkeste å montere en hydraulisk kontrollenhet.

Be om informasjon fra Desoutter.

Pakkematingsdrill

Desoutter-systemet for pakkematingsdrill bør brukes når dybden på hullet som skal bores, er mer enn fem ganger diameteren på hullet.

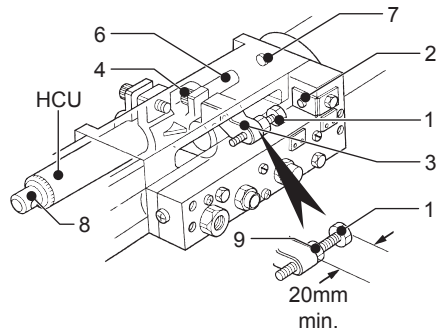
Dette systemet hjelper til med å fjerne borespon og hindrer overoppheting av borkronen.

Nøyaktigheten på hullstørrelsen kan forbedres og slitasjen på borkronen kan reduseres til et minimum.

Be om informasjon fra Desoutter.

STILLE INN BOREOPERASJON

Boret må være minst 6 mm over arbeidsstykket.



Figur 5

i Denne prosedyren gir detaljerte opplysninger om en enhet som er utstyrt med en hydraulisk kontrollenhet. Se bort fra de delene som refererer til den hydrauliske kontrollenheten når du stiller inn et standard verktøy.

- Still inn åpningen mellom (1) og (2) til det samme som den påkrevde boredybden PLUSS avstanden mellom borkrone og arbeidsstykke.
- Lås i posisjon med (4) ved anbefalt moment.
- Plasser den hydrauliske kontrollenheten i (3).
- Still inn åpningen mellom (6) og (7) til den avstanden som kreves over arbeidsstykket.
- Skru løs (8) fra den hydrauliske kontrollenheten for å justere motstanden inne i den hydrauliske enheten til et minimum.

- Åpne (13) figur 3 helt opp.
- Lukk (11/14) figur 3.
- Koble til lufttilførselen og trykk (6) figur 3.
- Juster (11/13) på figur 3 for å oppnå den påkrevde matingen av fremføring og tilbaketrekking for operasjonen.
- Bruk (1) figur 5 til å utføre den endelige dybdejusteringen.
- Lås ved bruk av (9) figur 5.
- Utfør en serie med prøveboringer for å fastsette de ideelle innstillingene av fremføring og hydraulisk kontrollenhet ved hjelp av (11/14) figur 3.

STILLE INN GJENGEOPERASJON



Merk 1: Det er viktig at fremføringshastigheten til verktøyet er stillt inn slik at den passer overens med stigningen på gjengene som skal gjenges opp. Feil fremføringshastighet vil resultere i deformerte gjenger. Dette gjelder spesielt for plast og lette metallegeringer.

Merk 2: Tilbaketrekkingshastigheten bør stilles inn slik at gjengetappen trekkes tilbake med en hastighet som er litt høyere enn fremføringshastigheten. Dette sikrer en jevn tilbaketrekking.

- Monter et verktøy, med den ønskede gjengetappen godt fastspent i chucken, over testblokken for å prøvegjenge.
- Enden på gjengetappen MÅ befinne seg minst 14 mm over testblokken for å gi plass til gjengehodets reverserende slaglengde ved tilkobling.
- Still inn åpningen mellom (2) figur 5 og (1) slik at den er lik gjengedybden PLUSS avstanden mellom gjengetappen og arbeidsstykket.
- Juster (11/13) på figur 3 for å oppnå den påkrevde matingen av fremføring og tilbaketrekking for operasjonen.
- Utfør en test av gjengeoperasjonen og inspiser deretter formen på gjengene. Juster (11/13) figur 3 hvis nødvendig og gjenta inntil du oppnår et tilfredsstillende resultat (jevnfør MERK 1 og 2 ovenfor).

SERVICEKRAV

Generelt

Bruk følgende smøremidler:

- Fett - Molykote Longterm W2 for riller og føringsstang.
- Fett - Molykote G68 for girkasse.

- Fett - Molykote PG5 Plastislip for O-ringer.
- Fett - BP FG00EP for sylindreboring.

Rengjøring

Krav:

- (1) Beholder til å senke verktøyet ned i.
 - (2) Ren parafin av god kvalitet.
- Senk delene ned i beholderen med parafin.
 - Du må forsikre deg om at komponentene blir fullstendig senket ned i væsken.
 - Beveg på delene slik at alle kanaler blir gjennomspytt.
 - Ta delene ut av beholderen, tørk dem grundig og blås gjennom med luft i kanaler for å fjerne all fuktighet.
 - Plasser delene i en lufttett beholder til de skal settes sammen igjen.
 - Håndter parafinen i henhold til gjeldende HMS-forskrifter.

VEDLIKEHOLDSANVISNINGER



Den komplette lagerhylsen er belastet med fjær (16). Press imot trykket fra fjæren (16) mens du forsiktig tar den av sammen med fjæren som følger med.

- Service skal utføres med intervaller på 1000 timers bruk. Oppgi alltid verktøyets modellnummer, serienummer og delenummeret når du bestiller reservedeler.
- Alle tall for tiltrekkingmoment $\pm 5\%$.
- Demonter verktøyet ved hjelp av perspektivsnittet.
- Rengjør alle delene og sjekk dem med hensyn til slitasje eller skade, og skift ut hvis nødvendig.
- Påfør nytt smøremiddel på delene i samsvar med smørelisten.
- Bytt fronttetningen ut etter at verktøyet er demontert.
- Spesialverktøy som vises på perspektivsnittet kommer i tillegg til vanlige arbeidstegninger.



Når komponenter kastes, må du sørge for at de relevante sikkerhetsprosedyrene følges.



Du bør bruke vernehansker og vernebriller ved rengjøring av deler. Det er strengt forbudt å spise eller røyke under rengjøring, demontering og montering av verktøyet.



Oprindelige anvisninger.

© COPYRIGHT 2015, DESOUTTER HP2 7SJ UK

Alle rettigheder forbeholdes. Indholdet eller dele deraf må ikke anvendes eller kopieres uden tilladelse. Dette gælder i særdeleshed varemærker, modelbetegnelser, delnumre og tegninger. Brug kun originale dele. Beskadigelse eller svigt som følge af brug af uoriginale dele er ikke dækket af garantien eller produktansvaret.

ERKLÆRING OM BRUG

Dette produkt er konstrueret med henblik på at bore huller i træ, metaller og plastik. Anden brug er ikke tilladt. Kun til professionel brug. Anvendelse af andre reservedele/andet tilbehør (herunder borepatroner som angivet i dette dokument) end originale dele fra producenten kan medføre reduceret ydelse, mere vedligeholdelse øget vibrationsniveau og bortfald af producentens garanti.

DATA

- Vægt: 10.5 kg
- Maksimalt luftryk (Pmax) = 8 bar
- Minimalt luftryk (Pmin) = 6 bar

BETJENINGSVEJLEDNING

Lufttilførsel - hovedtilførsel

Der kræves vandfri, filteret lufttilførsel ved et tryk på 6,3 bar med en gennemstrømningshastighed på 9,9 l/s, som styres af en trykreguleringsenhed, der vælges fra Desoutters Air Line Servicekatalog.

Lufttilførsel - fjerntilførsel

De grundlæggende krav er som beskrevet ovenfor, men trykket skal være mindst 2,7 bar og gennemstrømningskravet ved signalering er 0,47 l/s. Signalet varighed holdes på minimumsniveauet for at mindske luftforbruget.

Smøring

Hvis smøring er påkrævet, skal der monteres en smøreledning nedstrøms for filteret. Brug ISO VG 15.

Bemærk: Der opnås fuld effekt ved at bruge en smurt luftslange.

BETJENING

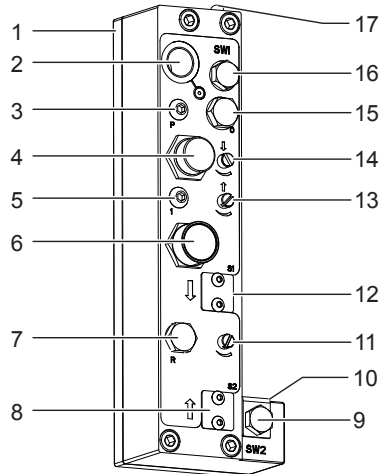


Der skal være en nødstopknap, hvis værktøjet anvendes alene eller indbygges i en maskine. Figur 2 viser et passende ledningsdiagram til en nødstopfacilitet (Se side 21).

Styreventil

Hele ventilblokmodulet (1) indeholder alle styrefunktioner, samt de steder, hvor signalerne til eksternt styring fremkaldes.

Styreanordningerne og deres placering er beskrevet nedenfor og yderligere beskrevet i afsnittet Borearbejde.



Figur 3

- 1 Hele ventilblokmodulet
- 2 Hovedport til lufttilførsel med gevind 1/4" BSP eller NPT.
- 3 "P" indgangsportal med gevind MS. Signalpunkt til peckfødning eller kamvinkelstyring.
- 4 Manuel tilbagerækningsknap (rød).
- 5 "I" indgangsportal til fjernstart med gevind MS. Modtager et eksternt signal for at påbegynde værktøjets cyklus.
- 6 Manuel startknap (grøn).
- 7 "R" udgangsportal til tilbagerækning med gevind 1/4" BSP. Ledning til luffretur.
- 8* Til "S2" solenoideventil til elektrisk nødtilbagerækning.
- 9* Til "SW2" nærhedsafbryder, som detekterer et signal ved slutningen af en cyklus til tilslutning til grænsefladesæt (dvs. den er høj ved dybden).
- 10 Slagstyreventil.
- 11 Justeringskrue for tilspændingshastighed.
- 12* Til "S1" solenoideventil til elektrisk start.
- 13 Reguleringskrue til tilbagerækningshastighed.
- 14 Justeringskrue for fremføringshastighed.
- 15 "O"-port med gevind 1/8" BSP, som modtager signaler for at stille fødeenheden tilbage til startpositionen til peckfødning eller kamvinkelstyring.
- 16* Til "SW1" -nærhedsafbryder, der detekterer et signal ved begyndelsen af en cyklus til tilslutning til grænsefladesæt (dvs. den er høj ved referencepositionen).

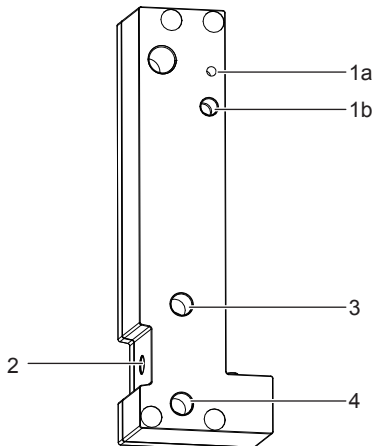


17 "M"-port med gevind M5. Anvendes til sekvensstyring. Signalet fremkaldes, når værktøjet er i hvile.

(*) Fås som sæt. Se Desoutters katalog for yderligere oplysninger.

i "M"-porten er beregnet til pilotventiler og må ikke anvendes som lufttilførselskilde til andre anvendelser.

Enkel styringsventil



Figur 4

- 1a Placering af nærhedsafbryder SW1 med aktiverende stift.
- 1b Placering af nærhedsafbryder SW1 med forlængerrørsbøsning.
- 2 Placering af nærhedsafbryder SW2, som opfanger et signal, når værktøjet er i bund.
- 3 Lufttilslutning for tilbageføring med 1/8" BSP-gevind.
- 4 Lufttilslutning for fremføring med 1/8" BSP-gevind.

Dette blokmodul til styreventilen anvendes til fjernstyring af værktøjer.

Både (1a) og (1b) registrerer et signal, når værktøjet står i udgangsposition.

i Der kræves eksterne strømkredse til styring af frem- og til bagtilspændingshastigheden.

i Når der anvendes enkel styrepult, udskiftes skrue (55) med en skrue med forlænget hoved (383983).

Tilbehør

Spændbeslag

Desoutters sortiment omfatter en række spændanordninger, sokler og stativer.

Kontakt Desoutter for yderligere oplysninger.

Hydraulisk kontrolenhed (HCU)

Værktøjet fungerer tilfredsstillende, når der bores et bundhul ved den angivne førehastighed.

Hvis materialet skal gennembrydes, muligvis til et andet hul, accelereres førdningen, når boret gennembryder materialet.

For at forebygge dette anbefales montering af en HCU-enhed.

Kontakt Desoutter for yderligere oplysninger.

Peck Feed-bor

Desoutters Peck Feed-boresystem anvendes, hvis dybden af det hul, der skal bores, er mindst 5 gange hullets diameter.

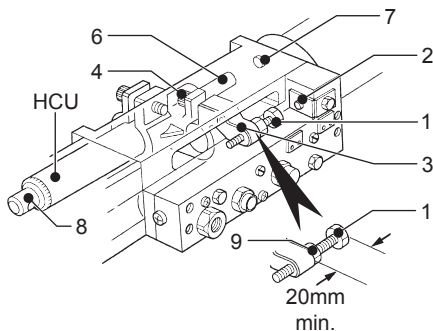
Dette bidrager til at fjerne borespåner samt til at undgå, at boret bliver for varmt.

Hulnøjagtigheden kan forbedres og sliddet på boret holdes på et minimum.

Kontakt Desoutter for yderligere oplysninger.

INDSTILLING TIL BOREARBEJDE

Boret skal være mindst 6 mm over emnet.



Figur 5

i Denne indstilling angiver montering af en HCU-enhed. Der ses bort fra denne enhed ved indstilling til standardværktøj.

- Indstil åbningen mellem (1) og (2) til den krævede boreddybde PLUS borelets afstand over emnet ved at skubbe (3).
- Lås positionen ved hjælp af (4) med det anbefalede moment.
- Sæt HCU-enheden på plads i (3).
- Indstil afstanden mellem (6) og (7) til den krævede afstand over emnet.
- Løsn (8) væk fra HCU-enheden for at reducere modstanden inde i HCU-enheden mest muligt.
- Åbn figur 3 (13) helt.
- Luk figur 3 (11).
- Tilslut lufttilførslen, og tryk på figur 3 (6).

- Tilpas figur 3 (11/13) for at opnå den krævede frem- og tilbagetilspændingshastighed til arbejdet.
- Anvend figur 5 (1) til justering af endelig dybde.
- Lås med figur 5 (9).
- Udfør en række prøveboringer for at bestemme den ideelle fremføring og HCU-indstillinger ved anvendelse af figur 3 (11).

INDSTILLING TIL GEVINDSKÆRING



Bemærk 1: Det er vigtigt, at værktøjets fremføringshastighed indstilles, så den passer til stigningen i det gevind, der skal skæres. Ukorrekt fremføringshastighed medfører et deformt gevind, som er mere synligt i plastic eller letmetal.

Bemærk 2: Tilbagetrækningshastigheden indstilles således, at gevindskæreren trækkes tilbage lidt hurtigere end den blev fremført, hvilket sikrer jævn tilbagetrækning.

- Monter værktøjet, idet den valgte snittap sættes forsvarligt fast i borepatronen, over en prøveblok for at skære et prøvegevind.
- Snittappens ende SKAL være mindst 14 mm over prøveblokken for at give plads til tilbagetrækningen af gevindskærerhovedet.
- Indstil afstanden mellem figur 5 (2) og (1) til gevindskærerdybden PLUS snittappens afstand over emnet.
- Tilpas figur 3 (11/13) for at opnå den krævede frem- og tilbagetilspændingshastighed til arbejdet.
- Skær et prøvegevind og inspicer resultatet, hvorefter figur 3 (11/13) justeres efter behov, og gentag, indtil oplysningerne i Bemærk (1) og (2) er opfyldt.

SERVICEKRAV

Generelt

Anvend følgende smøremidler:

- Smørefedt - Molykote Longterm W2 til noter og styrestang.
- Smørefedt - Molykote G68 til gearkassen.
- Smørefedt - Molykote PG15 Plastislip til O-ringe.
- Smørefedt - BP FG00EP til cylinderboringer.

Rengøring

Der kræves:

- (1) Beholder til nedsænkning af komponenter.
 - (2) God ren paraffin.
- Sæt komponenterne i blød i beholderen med paraffin.

- Sørg for, at de er helt tildækkede.
- Ryst komponenterne, så alle gennemgange skylles.
- Tag komponenterne op af beholderen, tør dem grundigt, og blæs ind i luftkanaler, så fugten fjernes.
- Placer komponenterne i en lufttæt beholder, indtil de skal monteres.
- Den brugte paraffin bortskaffes i overensstemmelse med gældende sundheds- og sikkerhedsregler.

VEDLIGEHOLDELSESINSTRUKTIONER



Lejemuffen sidder i spænd i fjederen (16). Skru forsigtigt lejemuffen løs, og fjern den, mens fjederen (16) holdes tilbage. Fjern derefter fjederen.

- Vedligeholdelse skal udføres efter hver 1000 timers brug. Angiv altid værktøjets modelnummer, serienummer og reservedelsnummer ved bestilling af reservedele.
- Alle momentværdier $\pm 5\%$.
- Afmonter værktøjet ved hjælp af splittegningen.
- Rengør alle komponenter, inspicer for slid eller beskadigelse, og udskift komponenter efter behov.
- Tilføj nyt smøremiddel til de relevante dele i overensstemmelse med listen.
- Saml værktøjet ved hjælp af splittegningen.
- Udskift frontforseglingen efter afmontering af værktøjet.



Ved bortskaffelse af komponenter, smøremidler, osv ... skal du sørge for, at alle relevante sikkerhedsregler overholdes.



Der skal bæres beskyttelseshandsker og øjenvern under rengøring af delene. Det er forbudt at spise eller ryge under rengøring, afmontering eller samling af værktøjet.



Originele instructies.

© COPYRIGHT 2015, DESOUTTER HP2 7SJ UK

Alle rechten voorbehouden. Het zonder toestemming gebruiken of kopiëren van de inhoud of delen daarvan is verboden. Dit is in het bijzonder van toepassing op gedeponeerde handelsmerken, modelaanduidingen, onderdeelnummers en tekeningen. Gebruik alleen goedgekeurde onderdelen. Schade of defekten die veroorzaakt zijn door het gebruik van niet-goedgekeurde onderdelen vallen niet onder de garantiebepalingen van het product en de fabrikant kan niet verantwoordelijk worden gesteld.

GEBRUIKSVERKLARING

Dit product is ontworpen voor het boren van gaten in hout, metaal en kunststoffen. Andere toepassingen zijn niet toegestaan. Alleen voor professioneel gebruik. Het gebruik van onderdelen/accessoires (inclusief de in dit document vermelde spantangen) anders dan de door de fabrikant geleverde, kan leiden tot verminderde prestaties, een hogere mate van onderhoud, een hoger trillingsniveau en tot het geheel vervallen van de aansprakelijkheid van de fabrikant.

GEGEVENS

- Gewicht: 10.5 kg
- De maximale luchtdruk (Pmax) = 8 bar
- De minimale luchtdruk (Pmin) = 6 bar

DE INSTRUCTIES VOOR DE BEDIENER

De hoofd luchttoevoer

Er wordt een watervrije, gefilterde luchttoevoer onder druk van 6,3bar (91,4 Psig) verlangd, met een stromingsnelheid van 9,91/s (21cu.ft/min) en wordt gestuurd door een drukreguleerder geselecteerd uit de Desoutter-catalogus voor "Air Line Service Equipment".

De luchttoevoer met afstandsbediening

De fundamentele behoeften zijn als bovenvermeld, maar de druk moet ten minste 2,7 bar (40 Psig) zijn, en deze heeft een stroming nodig, wanneer deze 0,47 l/s (1cu.ft/min) signaleert. De duur van het signaal behoort tot een minimum beperkt te worden om verbruik van lucht te verminderen.

Smering

Wanneer smering noodzakelijk is, dient luchtleidingsmering stroomafwaarts van het filter te worden aangebracht.

Gebruik ISO VG 15.

Opmerking: het volledige vermogen wordt verkregen bij gebruik van gesmeerdeluchttoevoer.

BEDIENING

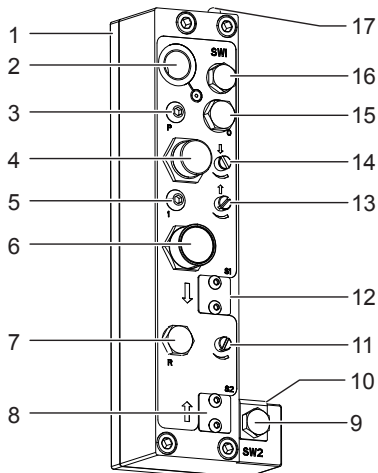


Er moet in een noodstop worden voorzien, als het werktuig op zichzelf werkt, of in een machine ingebouwd is. Een gepast diagram voor de stroomkring, om een noodstop in te bouwen, is voorzien in figuur 2. (Zie pagina 21).

De besturingsklep

Het complete kleppenblok van de module (1) bevat alle besturingsfuncties en signaleringen voor een externe besturing.

Deze besturingen met zijn locaties worden hieronder aangegeven en worden beschreven in de werkwijze voor het boren.



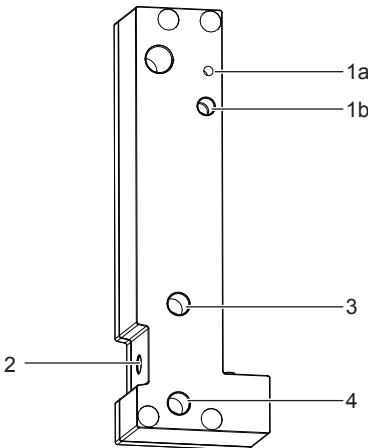
Figuur 3

- 1 De complete blokmodule met kleppen
- 2 De hoofdaansluiting voor luchttoevoer met een schroefdraad van 1/4 inch BSP of NPT.
- 3 Een "P"-inputaansluiting met M5-schroefdraad. 'n Signaal voor het invoeren of een circuit voor de Dwell-besturingsuitrusting.
- 4 Een (rode) met de hand bediende knop voor het intrekken.
- 5 Een "I" op afstand bediende start-inputaansluiting met M5- schroefdraad. Deze ontvangt een extern signaal om de cyclus op te starten.
- 6 Een (groene) met de hand bediende startknop.
- 7 Een "R" outputaansluiting voor het intrekken met een schroefdraad van 1/4 inch BSP. Toevoer voor luchtterugvoer.
- 8* De positie voor de "S2"-solenoideklep, om de noodstroom in te trekken.
- 9* De positie voor de "SW2"-proximityschakelaar; deze detecteert een signaal aan het einde van een cyclus voor de aansluiting van de interface-uitrusting (d.w.z. deze heeft diepte).

- 10 De besturingsklep voor het aandraaimoment.
- 11 Regelschroef snelheid aanzetbeweging.
- 12* De positie voor de "S1"-solenoidklep voor het opstarten van de stroom.
- 13 De regelschroef voor de snelheid van het intrekken.
- 14 Regelschroef snelheid indraaibeweging.
- 15 De "O"-aansluiting met een schroefdraad van 1/8 inch BSP; deze ontvangt een signaal om de aanvoer naar de startpositie te laten terugkeren voor de invoer of Dweil-besturing.
- 16* De positie voor de "SW1"-proximityschakelaar; deze detecteert een signaal aan het begin van een cyclus voor de aansluiting van de interface-uitrusting (d.w.z. deze staat hoog in de positie van het gegeven).
- 17 De "M"-aansluiting heeft een M5-schroefdraad en wordt gebruikt voor vervolgbesturing. Het signaal wordt gegeven wanneer het werktuig in ruststand is.
- (*) Is beschikbaar als pakket. Zie de Desoutter-catalogus voor details.

i De "M"-aansluiting is bedoeld om de controlekleppen te laten werken. Deze mag niet als een bron van de luchttoevoer voor andere doelen gebruikt worden.

Eenvoudige besturingsklep



Figuur 4

- 1a Positie voor naderingsschakelaar SW1, bij gebruik van bedieningspen.
- 1b Positie voor naderingsschakelaar SW1, bij gebruik van bus op verlengstuk.
- 2 Positie voor naderingsschakelaar SW2, detecteert een signaal wanneer de machine de gewenste diepte bereikt heeft.
- 3 Terughaalluchtaansluiting, 1/8 inch BSP getapt.
- 4 Voedingsluchtaansluiting, 1/8 inch BSP getapt.

Deze blokmodule met besturingsklep wordt gebruikt, wanneer het werktuig van op afstand bediend wordt.

Bij zowel (1a) als (1b) wordt een signaal gedetecteerd, wanneer de machine in de referentiepositie is.

i Er is een externe besturing nodig voor de regeling van de aanzetsnelheid voor indraaien en terughalen.

i Bij gebruik van een eenvoudig regelblok vervangt u schroef (55) door een schroef met verlengde kop (383983).

Accessoires

Montageklemmen

Er zijn een reeks klemmen, fundamenteen en zuilen beschikbaar.

U kunt volledige details van Desoutter verkrijgen.

De "Hydraulic Check Unit (HCU)" [hydraulische controle-unit]

Het werktuig functioneert naar tevredenheid, wanneer u een blind gat naar de ingestelde invoersnelheid boort.

Mocht het nodig zijn, om door materiaal heen te breken, waarbij mogelijk door nog een gat, dan geschiedt er een versnelling van de invoer, waarbij een breuk van de boor mogelijk is.

Ten einde dit te verhelpen, wordt de bevestiging van een HCU sterk aanbevolen.

Vraag om inlichtingen bij Desoutter.

Invoerboren

Dit systeem van Desoutter voor invoerboren behoort gebruikt te worden wanneer de diepte van het te boren gat vijf keer de diameter ervan is.

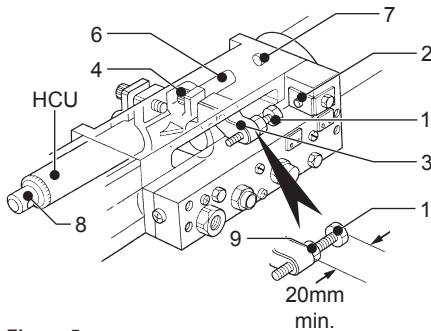
Dit helpt om schiffers op te ruimen en voorkomt overmatige oververhitting van het boorijzer.

De nauwkeurigheid van de grootte van het gat kan verbeterd worden en het verloop van het boorijzer kan tot het minimum beperkt blijven.

Vraag om inlichtingen bij Desoutter.

HET INSTELLEN VAN DE WERKWIJZE BIJ HET BOREN

De boor moet zich ten minste op 6 mm boven het werkstuk bevinden.



Figuur 5

i Deze instelling betreft een unit met een HCU; de verwijzing naar de HCU dient genegeerd te worden, bij het installeren van het standaard werktuig.

- Stel de kloof tussen (1) en (2) gelijk in aan de diepte die u wilt bereiken bij het boren PLUS de afstand, waarbij het boorrijzer zich boven het werkstuk bevindt door (3) op te schuiven.
- Sluit deze in de positie (4) op de aanbevolen torsie.
- Stel de HCU op (3).
- Stel de kloof in tussen (6) en (7) op een afstand, zoals u die boven het werkstuk verlangt.
- Draai schroef (8) los van de HCU vandaan om de weerstand van de HCU tot het minimum bij te stellen.
- Maak figuur 3 (13) volledig open.
- Sluit figuur 3 (11).
- Sluit de luchttoevoer aan en druk op figuur 3 (6).
- Stel (11/13) van figuur 3, om de vereiste indraai- en terughaalsnelheid te verkrijgen.
- Gebruik figuur 5 (1) om de uiteindelijke diepte bij te stellen.
- Zet het apparaat slot met door gebruik te maken van figuur 5 (9).
- Voer een paar proefboringen uit, om te bepalen of hij de ideale voortgang maakt en voor de HCU-instellingen met gebruikmaking van figuur 3 (11).

DE INSTELLING VOOR HET BEWERKEN VAN SCHROEFDRAAD

i **Opmerking 1:** Het is belangrijk, dat de voortgang van het werktuig zodanig ingesteld wordt, dat deze bij de spoed van de draad past, waarvan schroefdraad gemaakt moet worden. Een onjuiste voortgang heeft tot gevolg, dat de draad misvormd wordt. Dit blijkt te meer bij plastics of materialen van lichte legering.

Opmerking 2: De snelheid voor het intrekken behoort zo te worden ingesteld, dat de schroefdraad zich iets sneller intrekt dan hij voortgaat; hierdoor bent u er zeker van, dat hij zich zuiver intrekt.

- Monteer een werktuig met de uitgekozen schroefdraad hecht in de boorhouder boven een proefblok, om bij wijze van proef schroefdraad te bewerken.
- Het uiteinde van de schroefdraad MOET ten minste op 14 mm boven het proefblok zitten om de kop die de schroefdraad maakt terug te laten gaan.
- Stel de kloof in tussen figuur 5 (2) en (1) om de diepte gelijk te maken bij het schroefdraad draaien PLUS de afstand, waarop de schroefdraad zich boven het werkstuk bevindt.
- Stel (11/13) van figuur 3, om de vereiste indraai- en terughaalsnelheid te verkrijgen.
- Draai bij wijze van proef een schroefdraad en onderzoek de afgewerkte draadvorm; stel zo nodig figuur 3 (11/13) bij en herhaal de werkwijze, totdat u tevreden bent met wat er in opmerkingen 1 en 2 vermeld staat.

BENODIGDHEDEN VOOR ONDERHOUD**Algemene notities**

Gebruik de volgende smeermiddelen:

- Vet - Molykote Longterm W2 voor tappen en geleidestaaf.
- Vet - Molykote G68 voor overbrenging.
- Vet - Molykote PG75 voor Plastislip voor O-ringen.
- Vet - BP FG00EP voor cilinderboorgat.

Reinigen

De benodigdheden:

- (1) Een vat om de bestanddelen in onder te dompelen.
- (2) Een zuivere paraffine van goede kwaliteit.
 - Drenk de bestanddelen in het vat met de paraffine.
 - Controleer dat ze volledig ondergedompeld zijn; schud de bestanddelen, om er zeker van te zijn dat de luchtzakken doorgespoeld worden.
 - Verwijder de bestanddelen uit het vat, maak ze grondig droog en blaas door de luchtzakken om het vocht te verwijderen.
 - Leg de bestanddelen in een luchtdicht afgesloten vat, totdat u ze nodig heeft voor het in elkaar zetten.
 - Verwijder de vuile paraffine in overeenstemming met de regels voor gezondheid en veiligheid.

ONDERHOUDSINSTRUCTIES

De complete lagerbus staat onder veerdruk van veer (16).

Terwijl u de druk tegenhoudt die veroorzaakt wordt door veer (16), schroeft u voorzichtig de complete lagerbus los, en verwijdert u deze, en vervolgens de veer.

- Onderhoud dient te worden uitgevoerd met intervallen van 1000 gebruiksuren. Vermeld bij het bestellen van onderdelen altijd het modelnummer van het gereedschap, het serienummer en het onderdeelnummer.
- Alle aanhaalmomenten $\pm 5\%$.
- Demonteer het werktuig met gebruikmaking van de opengewerkte tekening.
- Maak alle onderdelenschoon en onderzoek deze op slijtage of schade, waarbij u ze zo nodig verwisselt.
- Pas een nieuw smeermiddel op de relevante onderdelen toe in overeenstemming met de lijst.
- Zet het werktuig in elkaar met gebruikmaking van de opengewerkte tekening.
- Breng na het demonteren van het apparaat de afdichting aan de voorzijde weer aan en gebruik de opengewerkte tekening om het apparaat weer monteren.



Zorg ervoor dat bij het afvoeren van onderdelen, smeermiddelen, enz. de betreffende veiligheidsprocedures in acht worden genomen.



Men behoort beschermende handschoenen en oogbescherming te dragen tijdens het schoonmaken van de onderdelen. Het is verboden te eten of te roken wanneer u het apparaat schoonmaakt, demonteert of in elkaar zet.



Αρχικές οδηγίες.

© COPYRIGHT 2015, DESOUTTER HP2
7SJ UK

Με την επιφύλαξη όλων των δικαιωμάτων. Απαγορεύεται η χωρίς άδεια χρήση ή η αναπαραγωγή ολόκληρου ή τμήματος του παρόντος. Αυτό ισχύει ειδικότερα για τα κατατεθέντα σήματα, τις ονομασίες των μοντέλων, τον αριθμό εξαρτημάτων και τα σχήματα. Χρησιμοποιείτε αποκλειστικά και μόνο τα εξαρτήματα που επιτρέπονται. Οποιαδήποτε βλάβη ή δυσλειτουργία του μηχανήματος που οφείλεται στη χρήση εξαρτημάτων που δεν επιτρέπονται δεν καλύπτεται από την εγγύηση και ο κατασκευαστής δεν φέρει ουδεμία ευθύνη.

ΔΗΛΩΣΗ ΧΡΗΣΗΣ

Το προϊόν αυτό έχει σχεδιαστεί για τη διάνοιξη σπών σε υλικά από ξύλο, μέταλλο και πλαστικό. Δεν επιτρέπεται κανένας άλλος τύπος χρήσης. Μόνο για επαγγελματική χρήση. Η χρήση ανταλλακτικών/αξεσουάρ (συμπεριλαμβανομένων των σφικτήρων που αναφέρονται στο έντυπο) εκτός από αυτά που παρέχονται από τον κατασκευαστή μπορεί να οδηγήσει σε υποβάθμιση της απόδοσης ή αύξηση της ανάγκης για συντήρηση και του επιπέδου κραδασμών, καθώς και σε πλήρη ακύρωση της εγγύησης που παρέχεται από τον κατασκευαστή.

ΔΕΔΟΜΕΝΑ

- Βάρος: 10.5 kg
- Μέγιστη πίεση αέρα (Pmax) = 8 bar
- Ελάχιστη πίεση αέρα (Pmin) = 6 bar

ΟΔΗΓΙΕΣ ΧΕΙΡΙΣΤΩΝ

Παροχή αέρα - Κύρια

Απαιτείται παροχή φίλτραρισμένου αέρα χωρίς υδρατμούς, υπό πίεση 6,3 ατμοσφαιρών (91,4 lbf/in²), με ροή 9,9 λίβρες ανά δευτερόλεπτο (21 cu.ft./min) που ελέγχεται με ρυθμιστή πίεσης που επιλέγεται από τον Κατάλογο υλικών Επισκευής αεραγωγών της Desoutter.

Παροχή αέρα - Απομακρυσμένη

Οι βασικές απαιτήσεις είναι όπως περιγράφονται πιο πάνω αλλά η πίεση πρέπει να είναι τουλάχιστον 2,7 ατμόσφαιρες (40 lbf/in²) και η ροή που απαιτείται όταν παρέχεται σήμα είναι 0,47 λίβρες ανά δευτερόλεπτο (1 cu.ft./min). Η διάρκεια του σήματος πρέπει να διατηρείται στο ελάχιστο για να ελαττώνει την κατανάλωση αέρος.

Λίπανση

Εάν απαιτείται λίπανση, τότε θα πρέπει να τοποθετείται λιπαντήρας για τη γραμμή αέρα μετά το φίλτρο.

Χρησιμοποιείτε το ISO VG 15.

Σημείωση: πλήρης ισχύς επιτυγχάνεται με τη χρήση παροχής αέρα χωρίς λίπανση.

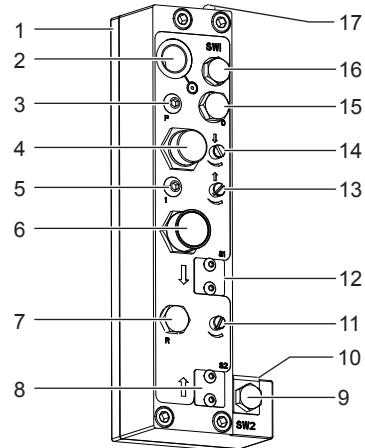
ΛΕΙΤΟΥΡΓΙΑ



Πρέπει να γίνεται πρόβλεψη για τη διακοπή της λειτουργίας σε περίπτωση έκτακτης ανάγκης εάν το εργαλείο χρησιμοποιείται αυτόνομα ή είναι ενσωματωμένο σε συσκευή. Στο σχήμα 2 παρέχεται ένα κατάλληλο διάγραμμα κυκλωμάτων για την κατασκευή μηχανισμού διακοπής της λειτουργίας σε περίπτωση έκτακτης ανάγκης. (Βλέπε σελίδα 21).

Βαλβίδα έλεγχου

Η πλήρης μονάδα κορμού βαλβίδας (1) περιλαμβάνει τις λειτουργίες ελέγχου και τις πηγές σήματος για εξωτερικό έλεγχο. Οι λειτουργίες ελέγχου και οι θέσεις καθορίζονται παρακάτω, ενώ στη λειτουργία διατήρησης παρέχονται λεπτομέρειες.



ΣΧΗΜΑ 3

- 1 Πλήρης μονάδα κορμού βαλβίδας
- 2 Κύριο στόμιο εισόδου αέρα, βιδωτό σε BSP ή NPT.
- 3 Στόμιο εισαγωγής "P", βιδωτό M5. Σημείο σήματος για διακοπόμενη τροφοδοσία ή για κύκλωμα σετ ελέγχου Dwell.
- 4 Κουμπί χειροκίνητης ανάκλησης (κόκκινο).
- 5 Στόμιο απομακρυσμένης εκκίνησης εισαγωγής "I", βιδωτό M5. Δέχεται εξωτερικό σήμα για την έναρξη του κύκλου του εργαλείου.
- 6 Κουμπί χειροκίνητης εκκίνησης (πράσινο)
- 7 Στόμιο ανάκλησης εξαγωγής "R", βιδωτό 1/8 της ίντσας, σε BSP. Τροφοδοτήτρια για την επιστροφή του αέρα.
- 8* Θέση για την ηλεκτρομαγνητική βαλβίδα "S2" για ανάκληση σε περίπτωση έκτακτης ανάγκης.
- 9* Θέση για τον διακόπτη εγγύτητας "SW2". Ανιχνεύει σήμα στο τέλος ενός κύκλου για τη



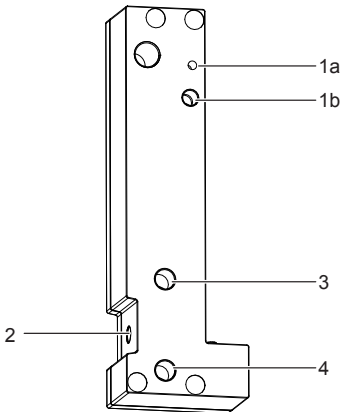
σύνδεση του σετ διασύνδεσης (δηλαδή έχει μεγάλο βάθος).

- 10 Βαλβίδα ελέγχου διαδρομής.
- 11 Βίδα ρύθμισης ρυθμού τροφοδοσίας.
- 12* Θέση για την ηλεκτρομαγνητική βαλβίδα "S1" για ηλεκτρική εκκίνηση.
- 13 Βίδα ρύθμισης ταχύτητας ανάκλησης.
- 14 Βίδα ρύθμισης ταχύτητας προώθησης.
- 15 Στόμιο "O", βιδωτό 1/8 της ίντσας, σε BSP. Δέχεται σήμα για την επαναφορά της τροφοδοσίας στη θέση εκκίνησης για διακοπτόμενη τροφοδοσία ή για έλεγχο Dwell.
- 16* Θέση για τον διακόπτη εγγύτητας "SW1". Ανιχνεύει σήμα στην αρχή ενός κύκλου για τη σύνδεση του σετ διασύνδεσης (δηλαδή είναι υψηλή στη θέση αναφοράς).
- 17 Στόμιο "M", βιδωτό M5. Χρησιμοποιείται για τον έλεγχο ακολουθίας. Το σήμα παράγεται όταν το εργαλείο δεν είναι σε λειτουργία.
- (*) Διαθέσιμα σε μορφή σετ. Για λεπτομέρειες, δείτε τον κατάλογο της Desoutter.



Το στόμιο "M" προορίζεται για τη λειτουργία των βαλβίδων ελέγχου. Δεν πρέπει να χρησιμοποιείται σαν πηγή παροχής αέρα για άλλες χρήσεις.

Απλή βαλβίδα ελέγχου



ΣΧΗΜΑ 4

- 1a Θέση για τον διακόπτη εγγύτητας SW1, χρησιμοποιώντας πείρο ενεργοποίησης.
- 1b Θέση για τον διακόπτη εγγύτητας SW1, χρησιμοποιώντας τον ολισθητήρα στον σωλήνα επέκτασης.
- 2 Θέση του διακόπτη εγγύτητας SW2. Ανιχνεύει ένα σήμα όταν το εργαλείο διάτρησης προσεγγίσει το επιθυμητό βάθος.
- 3 Στόμιο ανάκλησης αέρα, βιδωτό 1/8 της ίντσας BSP
- 4 Στόμιο προώθησης αέρα, βιδωτό 1/8 της ίντσας BSP

Ο κορμός της μονάδας βαλβίδας ελέγχου χρησιμοποιείται όταν ο χειρισμός του εργαλείου γίνεται από απόσταση. Τόσο το (1a) όσο και

το (1b) ανιχνεύουν ένα σήμα όταν το εργαλείο βρίσκεται στη θέση αναφοράς.



Χρειάζεται να υπάρχει εξωτερικό κύκλωμα για να ελέγχεται η ταχύτητα προώθησης και ανάκλησης.



Όταν χρησιμοποιείτε απλό κυτίο ελέγχου, αντικαταστήστε τον κοχλία (55) με εκτεταμένο κοχλία κεφαλής (383983).

Εξαρτήματα

Σφικτήρες συγκράτησης

Διατίθεται ποικιλία από βάσεις και στήλες σφικτηρών.

Πλήρεις λεπτομέρειες παρέχονται από την Desoutter.

Υδραυλική μονάδα ελέγχου (HCU)

Το εργαλείο λειτουργεί ικανοποιητικά, όταν γίνεται διάτρηση σε τυφλή οπή με την καθορισμένη ταχύτητα τροφοδοσίας.

Εάν χρειαστεί να γίνει διάτρηση μέσω του υλικού ή ακόμη και μέσω άλλης οπής, η τροφοδοσία θα επιταχυνθεί με ενδεχόμενο αποτέλεσμα τη θραύση του τρυπανιού.

Για να αποτρέψετε αυτόν τον κίνδυνο, συνιστούμε να τοποθετηθεί μονάδα HCU. Ζητήστε πληροφορίες από την Desoutter.

Τρυπάνια διακοπτόμενης τροφοδοσίας

Το σύστημα τρυπανιών διακοπτόμενης τροφοδοσίας της Desoutter θα πρέπει να χρησιμοποιείται όταν το βάθος της υπό διάτρηση οπής είναι τουλάχιστον πενταπλάσιο της διαμέτρου της οπής.

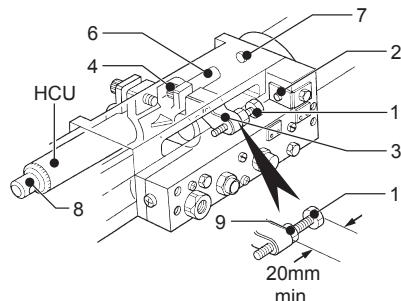
Αυτό βοηθά να καθαρίζονται τα τρίμματα από τη διάτρηση και να αποφεύγεται η υπερθέρμανση του τρυπανιού.

Η ακρίβεια στο μέγεθος της οπής βελτιώνεται, ενώ η θραύση των τρυπανιών διατηρείται στο ελάχιστο.

Ζητήστε πληροφορίες από την Desoutter.

ΡΥΘΜΙΣΗ ΤΗΣ ΛΕΙΤΟΥΡΓΙΑΣ ΔΙΑΤΡΗΣΗΣ

Το τρυπάνι πρέπει να απέχει τουλάχιστον 6 χιλ. (0,25 ίντσες) επάνω από το τεμάχιο στο οποίο εργάζεστε.



ΣΧΗΜΑ 5



Η ρύθμιση αυτή καθορίζει τις λεπτομέρειες για μονάδα με HCU. Όταν ρυθμίζετε ένα συνηθισμένο εργαλείο, οι παραπομπές που αναφέρονται στο HCU θα πρέπει να αγνοούνται.

- Ολισθαίνοντας το (3), ρυθμίστε το άνοιγμα μεταξύ των (1) και (2) έτσι ώστε να ισούται με το βάθος της διάτρησης που απαιτείται ΣΥΝ την απόσταση στην οποία βρίσκεται το τρυπάνι επάνω από το τεμάχιο στο οποίο εργάζεστε.
- Ασφαλίστε στη θέση ρυθμίζοντας το (4) στην απαιτούμενη ροπή στρέψης.
- Τοποθετήστε τη μονάδα HCU στο (3).
- Ρυθμίστε το άνοιγμα μεταξύ των (6) και (7) στην απόσταση που απαιτείται επάνω από το τεμάχιο στο οποίο εργάζεστε.
- Ξεβιδώστε το (8) για να αφαιρεθεί από τη μονάδα HCU για να ρυθμιστεί στο ελάχιστο η αντίσταση εντός της μονάδας HCU.
- Ανοίξτε εντελώς το σχήμα 3 (13).
- Κλείστε το σχήμα 3 (11).
- Συνδέστε την παροχή αέρα και πατήστε το σχήμα 3 (6).
- Ρυθμίστε το σχήμα 3 (11/13) για να δοθεί η τροφοδοσία προώθησης και ανάκλησης που απαιτούνται από τον χειριστή.
- Χρησιμοποιήστε το σχήμα 5 (1) για την τελική ρύθμιση βάθους.
- Ασφαλίστε χρησιμοποιώντας το σχήμα 5 (9).
- Χρησιμοποιώντας το σχήμα 3 (11), εκτελέστε έναν αριθμό δοκιμαστικών διατρήσεων για να καθορίσετε τις ιδανικές ρυθμίσεις προώθησης και HCU.

ΡΥΘΜΙΣΗ ΤΗΣ ΛΕΙΤΟΥΡΓΙΑΣ ΣΠΕΙΡΟΤΟΜΗΣΗΣ



Σημείωση 1: Είναι σημαντικό η ταχύτητα προώθησης του εργαλείου να ρυθμίζεται έτσι ώστε να ταιριάζει με το βήμα του σπειρώματος που πρόκειται να σπειροτομηθεί. Η λανθασμένη ρύθμιση της ταχύτητας προώθησης θα οδηγήσει σε παραμορφωμένο σπείρωμα, ενώ το φαινόμενο θα είναι πιο έντονο σε πλαστικά υλικά ή σε υλικά από ελαφριά κράματα.

Σημείωση 2: Η ταχύτητα ανάκλησης θα πρέπει να ρυθμίζεται κατά τρόπο ώστε το εργαλείο να απομακρύνεται με ταχύτητα ελαφρώς μεγαλύτερη από την ταχύτητα προώθησης. Έτσι, εξασφαλίζεται η καλύτερη απόσυρση.

- Σηριζέτε το εργαλείο, με το επιλεγμένο

τρυπάνι σπειροτόμησης σταθερά στερεωμένο στον σφικτήρα, σε έναν ντάκο δοκιμής για να κάνετε μερικές δοκιμαστικές διατρήσεις σπειροτόμησης.

- Η μύτη του τρυπανιού ΠΡΕΠΕΙ να απέχει τουλάχιστο 14 χιλ. (9/16 ίντσες) επάνω από τον ντάκο δοκιμής για να επιτρέψει στην κεφαλή σπειροτόμησης να ακολουθεί αντίστροφη πορεία.
- Ρυθμίστε το άνοιγμα μεταξύ των (1) και (2) του σχήματος 5 έτσι ώστε να ισούται με το βάθος της διάτρησης που απαιτείται ΣΥΝ την απόσταση που απέχει το τρυπάνι σπειροτόμησης επάνω από το τεμάχιο στο οποίο εργάζεστε.
- Ρυθμίστε το σχήμα 3 (11/13) για να δοθεί η τροφοδοσία προώθησης και ανάκλησης που απαιτούνται από τη λειτουργία.
- Εκτελέστε μια δοκιμαστική διάτρηση και παρατηρήστε την τελική μορφή του σπειρώματος. Αν είναι απαραίτητο, ρυθμίστε το σχήμα 3 (11/13) και επαναλάβετε τις ίδιες ενέργειες μέχρις ότου να πληρούνται οι απαιτήσεις που αναφέρονται στις σημειώσεις 1 και 2.

ΑΠΑΙΤΗΣΕΙΣ ΣΥΝΤΗΡΗΣΗΣ & ΕΠΙΣΚΕΥΩΝ

Γενικές σημειώσεις

Χρησιμοποιείτε τα παρακάτω λιπαντικά:

- Γράσο - Molykote longterm W2 για τις αυλακώσεις και τον άξονα οδήγησης.
- Γράσο - Molykote G68 για το κιβώτιο ταχυτήτων.
- Γράσο - Molykote PG75 Plastislip για τους δακτυλίους κυκλικής διατομής.
- Γράσο - BP FG00EP για το εσωτερικό του κυλίνδρου.

Καθαρισμός

Πρέπει να έχετε:

- (1) Δοχείο για να βυθίζετε τα εξαρτήματα.
 - (2) Καθαρή παραφίνη καλής ποιότητας.
- Βυθίστε τα εξαρτήματα στο δοχείο με την παραφίνη.
 - Βεβαιωθείτε ότι βυθίζονται πλήρως και ταράξετε το υγρό για να διασφαλίσετε ότι οι δίοδοι αέρα στα εξαρτήματα θα καθαριστούν πλήρως.
 - Αφαιρέστε τα εξαρτήματα από το δοχείο, στεγνώστε τα εντελώς και φυσήξτε μέσω των δίοδων αέρα για να απομακρύνετε τυχόν υγρασία.
 - Τοποθετήστε τα εξαρτήματα σε ένα αεροστεγές δοχείο μέχρι να τα χρειαστείτε για τη συναρμολόγηση.
 - Απορρίψτε τη λερωμένη παραφίνη σύμφωνα



με τους κανονισμούς για την υγεία και την ασφάλεια.

ΟΔΗΓΙΕΣ ΓΙΑ ΤΗ ΣΥΝΤΗΡΗΣΗ



ΤΟ ΠΛΗΡΕΣ ΜΟΝΟΚΟΜΜΑΤΟ ΚΟΥΖΙΝΕΤΟ ΒΡΙΣΚΕΤΑΙ ΚΑΤ Ω ΑΠΟ ΤΟ ΕΛΑΤΗΡΙΟ (16) ΣΥΜΠΙΕΣΕΩΣ. ΕΝΩ ΔΙΑΤΗΡΕΙΤΕ ΤΗΝ ΠΙΕΣΗ ΠΟΥ ΠΡΟΚΑΛΕΙΤΑΙ ΑΠΟ ΤΟ ΕΛΑΤΗΡΙΟ (16), ΠΡΟΣΕΧΤΙΚΑ ΞΕΒΙΔΩΣΤΕ ΚΑΙ ΑΦΑΙΡΕΣΤΕ ΤΟ ΠΛΗΡΕΣ ΜΟΝΟΚΟΜΜΑΤΟ ΚΟΥΖΙΝΕΤΟ ΚΙΑ ΜΕΤΑ ΤΟ ΕΛΑΤΗΡΙΟ.

- Οι εργασίες σέρβις θα πρέπει να εκτελούνται κάθε 1000 ώρες χρήσης. Κατά την παραγγελία ανταλλακτικών, χρησιμοποιείτε πάντα τον αναφερόμενο αριθμό μοντέλου του εργαλείου, τον αριθμό σειράς παραγωγής και τον αριθμό καταλόγου του ανταλλακτικού.
- Τηρείτε τις τιμές ροπής με απόκλιση $\pm 5\%$.
- Αποσυναρμολογήστε το εργαλείο χρησιμοποιώντας το αναλυτικό σχέδιο.
- Καθαρίστε όλα τα μέρη και ελέγξτε για φθορές ή ζημιές. Αντικαταστήστε τα, εφόσον είναι απαραίτητο.
- Εφαρμόστε νέο λιπαντικό στα αντίστοιχα μέρη, σύμφωνα με τον κατάλογο των λιπαντικών.
- Συναρμολογήστε το εργαλείο χρησιμοποιώντας το αναλυτικό σχέδιο.
- Αντικαταστήστε το μπροστινό παρέμβυσμα μετά από την αποσυναρμολόγηση του εργαλείου.
- Τα ειδικά εργαλεία που απεικονίζονται στο αναλυτικό σχέδιο είναι επιπρόσθετα των συνηθισμένων εργαλείων των συνεργείων.



Κατά την απόρριψη εξαρτημάτων, λιπαντικών, κλπ ... φροντίστε να ακολουθείτε τις σχετικές διαδικασίες ασφάλειας.



Κατά τον καθαρισμό των εξαρτημάτων θα πρέπει να χρησιμοποιούνται προστατευτικά γάντια και γυαλιά. Δεν επιτρέπεται να τρώτε ή να καπνίζετε όταν καθαρίζετε, αποσυναρμολογείτε ή συναρμολογείτε το εργαλείο.



DEUTSCH (GERMAN) (1) ERKLÄRUNG ZUM EINBAU - (2) Wir, **DESOUTTER** - (3) Technische Datei beim EU - (4) erklären hiermit, daß das (die) Produkt(e) : Bohrmaschine - (5) Typ(en) : - (6) Produktherkunft - (7) den Anforderungen der EG-Richtlinie zur Angleichung der Rechtsvorschriften der Mitgliedsstaaten - (8) für "**Maschinen**" **2006/42/EG** (17/05/06) - (9) für "**Elektromagnetische Störfreiheit**" **2004/108/EG** (15/12/04) - (10) für "**Niederspannung**" **2006/95/EG** (12/12/06) - entspricht (entsprechen). -(11) geltende harmonisierte Norme(n) - (12) NAME und EIGENSCHAFT des Ausstellers : - (13) Datum :

NEDERLANDS (DUTCH) (1) VERKLARING VAN INTEGRATIE - (2) De firma : **DESOUTTER** - (3) Technisch bestand verkrijgbaar - (4) verklaart hierbij dat het (de) produkt(en) : boor - (5) type : - (6) Herkomst van het product - (7) in overeenstemming is (zijn) met de vereisten van de richtlijn van de Raad inzake de onderlinge aanpassing van de wetgevingen van de lidstaten betreffende : (8) "**machines**" **2006/42/CE** (17/05/06) - (9) "**elektromagnetische compatibiliteit**" " **2004/108/EG** (15/12/04) - (10) "**laagspanning**" **2006/95/EG** (12/12/06) - (11) geldige geharmoniseerde norm(en) - (12) NAAM en FUNCTIE van de opsteller : - (13) Datum

SVENSKA (SWEDISH) (1) DEKLARATION OM INMONTERAD MASKIN - (2) Vi **DESOUTTER** - (3) Teknisk fil tillgänglig från - (4) Förklarar att maskinen : Borr - (5) Maskintyp : - (6) Produktens ursprung - (7) För vilken denna deklARATION gäller, överensstämmer med kraven i Ministerrådets direktiv om harmonisering av medlemsstaternas lagar rörande : - (8) "**maskiner**" **2006/42/EEG** (17/05/06) - (9) "**elektromagnetisk kompatibilitet**" " **2004/108/EEG** (15/12/04) - (10) "**lågspänning**" **2006/95/EEG** (12/12/06) - (11) Harmoniserade standarder som tillämpats : - (12) Utfärdarens namn och befattning : - (13) Datum :

NORSK (NORWEGIAN) (1) ERKLÆRING OM INNLEMMELSE - (2) Vi **DESOUTTER** - (3) Teknisk dokument tilgjengelig - (4) Erklærer at produktet/produktene : Bor - (5) av type : - (6) Produktets opprinnelse - (7) er i overensstemmelse med de krav som finnes i Ministerrådets direktiver om tilnærning av Medlemsstatenes lover vedrørende : - (8) "**maskiner**" **2006/42/EF** (17/05/06) - (9) "**elektromagnetisk kompatibilitet**" " **2004/108/EY** (15/12/04) - (10) "**lavspenning**" **2006/95/EF** (12/12/06) - (11) Harmoniserede standarder som er anvendt : - (12) Utsteders navn og stilling : - (13) Dato :

DANSK (DANISH) (1) KONFORMITETSERKLÆRING - (2) Vi **DESOUTTER** - (3) Teknisk dokument kan fås på - (4) erklærer at produktet(erne) : Boremaskine - (5) type : - (6) Produktets oprindelse - (7) er i overensstemmelse med kraverne i Rådets Direktiv vedr. tilnærmelse mellem medlemslandenes love for - (8) "**maskiner**" **2006/42/EF** (17/05/06) - (9) "**elektromagnetisk kompatibilitet**" " **2004/108/EY** (15/12/04) - (10) "**lavspænding**" **2006/95/EF** (12/12/06) - (11) Gældende harmoniserede standarder : - (12) Udsteder, navn og stilling : - (13) Dato

SUOMI (FINNISH) (1) LIITTYMISILMOITUS - (2) Me **Toiminimi DESOUTTER** - (3) Tekniset tiedot saa EU:n - (4) vakautamme, että tuote / tuotteet : tuuman - (5) tyyppi(-t) : - (6) Tekniset tiedot saa EU:n - (7) on / ovat yhdenmukainen(-sia) neuvoston jäsenmaiden lainsäädäntöä koskevien direktiivien vaatimusten kanssa, jotka koskevat : - (8) "**koneita**" **2006/42/EY** (17/05/06) - (9) "**elektromagneettista yhteensopivuutta**" " **2004/108/EY** (15/12/04) - (10) "**matolajännitteitä**" **2006/95/EF** (12/12/06) - (11) yhdenmukaistettu(-tut) soveltuva(t) standardi(t) : - (12) ilmoituksen antajan NIMI ja ASEMA - (13) Päiväys

ESPAÑOL (SPANISH) (1) DECLARACION DE INCORPORACION - (2) Nosotros **DESOUTTER** - (3) Archivo técnico disponible en - (4) declaramos que el producto : pora - (5) tipo de máquina : - (6) Origen del producto - (7) es conforme a los requisitos de la Directiva del Consejo sobre la aproximación de las leyes de los Estados Miembros con relación - (8) a la "**maquinaria**" **2006/42/CE** (17/05/06) - (9) a la "**compatibilidad electromecánica**" " **2004/108/CE** (15/12/04) - (10) a la "**baja tensión**" **2006/95/CE** (12/12/06) - (11) normas armonizadas aplicadas : - (12) Nombre y cargo del expedidor : - (13) Fecha

PORTUGUÊS (PORTUGUESE) (1) DECLARAÇÃO DE INCORPORAÇÃO - (2) Nós **DESOUTTER** - (3) Ficheiro técnico disponível na - (4) declaramos que o produto: Furadeira - (5) tipo de máquina: - (6) Origem do produto - (7) está em conformidade com os requisitos da Directiva do Conselho, referente às legislações dos Estados-membros relacionados com: - (8) "**maquinaria**" **2006/42/CE** (17/05/06) - (9) "**compatibilidade electromagnética**" " **2004/108/CE** (15/12/04) - (10) "**baixa tensão**" **2006/95/CE** (12/12/06) - (11) Normas harmonizadas aplicáveis - (12) Nome e cargo do emissor: - (13) Data:

ITALIANO (ITALIAN) (1) DICHIARAZIONE DI INCORPORAMENTO - (2) La Società : **DESOUTTER** - (3) File tecnico disponibile dal - (4) dichiara che il(i) prodotto(i): Punta per trapano - (5) tipo : - (6) Origine del prodotto - (7) è (sono) in conformità con le esigenze previste dalla Direttiva del Consiglio, sulle legislazioni degli Stati membri relative: - (8) alle "**macchine**" **2006/42/CE** (17/05/06) - (9) alla "**compatibilità elettromagnetica**" " **2004/108/CE** (15/12/04) - (10) alla "**bassa tensione**" **2006/95/CE** (12/12/06) - (11) norma(e) armonizzata(e) applicabile(i): - (12) NOME e FUNZIONE del dichiarante - (13) Data

ΕΛΛΗΝΙΚΑ (GREEK) (1) ΔΗΛΩΣΗ ΕΝΣΩΜΑΤΩΣΗΣ - (2) Η εταιρεία : **DESOUTTER** - (3) Τεχνικός φάκελος διαθέσιμος - (4) δηλώνει υπεύθυνα ότι το(τα) προϊόν(-τα) : τρυπάνι - (5) τύπου(-ων) : - (6) Προέλευση προϊόντος - (7) είναι σύμφωνα(-α) προς τις απαιτήσεις της Οδηγίας του Συμβουλίου που αφορά την προσαρμογή των νομοθεσιών των κρατών μελών τις σχετικές με : - (8) τα "**μηχανήματα**" **2006/42/EOK** (17/05/06) - (9) την "**ηλεκτρομαγνητική συμβατότητα**" " **2004/108/EOK** (15/12/04) - (10) τη "**χαμηλή τάση**" **2006/95/EOK** (12/12/06) - (11) εφαρμοστέο(-α) εναρμονισμένο(-α) πρότυπο(-α) : - (12) ΟΝΟΜΑ και ΑΡΜΟΔΙΟΤΗΤΑ του δηλούντος: - (13) Ημερομηνία

ČESKY (CZECH) (1) PROHLÁŠENÍ O INTEGRACI - (2) My, firma **DESOUTTER** - (3) Technický soubor, dostupný - (4) prohlašujeme, že výrobek (výrobky): vrták - (5) typ přístroje (přístrojů): - (6) Původ výrobku - (7) je v souladu s požadavky směrnice Rady EU o aproximaci práva členských států EU, a to v těchto oblastech: - (8) "**přístroje**" **2006/42/EC** (17/05/06) - (9) "**Elektromagnetická kompatibilita**" " **2004/108/EC** (15/12/04) - (10) "**Nizké napětí**" **2006/95/EC** (12/12/06) - (11) *relevantní harmonizované normy*: - (12) Jméno a funkce osoby, která prohlášení vystavila - (13) Datum

MAGYAR (HUNGARIAN) (1) CE BEÉPÍTÉSI NYILATKOZAT - (2) Mi, az: **DESOUTTER** - (3) A műszaki leírás az EU-s - (4) kijelentjük, hogy a termék(ek) : Fűrő - (5) géptípus(ok): - (6) A műszaki leírás az EU-s - (7) megfelel(nek) a tagországok törvényeiben megfogalmazott, alábbiakban szereplő tanácsi irányelvnek követelményeinek: - (8) "**Gépek, berendezések**" **2006/42/EC** (17/05/06) - (9) "**Elektromágneses kompatibilitás**" " **2004/108/EC** (15/12/04) - (10) "**Alacsony feszültségű szabványok**" **2006/95/EC** (12/12/06) - (11) *alkalmazható harmonizált szabvány(ok)*: - (12) Kibocsátó neve és adatai - (13) Dátum:

LIEITUVIŠKAI (LITHUANIAN) (1) EB PRISIJUNGIMO DEKLARACIJA - (2) Mes: **DESOUTTER** - (3) Techninius duomenis galite - (4) pareiškiamo, kad gaminyje (-iai): audra - (5) mašinos tipas(-ai): - (6) Produkto kilmė - (7) atitinka Europos Tarybos Direktivų reikalavimus dėl valstybių narių įstatymų, susijusių: - (8) su „**mašinomis**" **2006/42/EB** (17/05/06) - (9) su „**Elektromagnetiniu suderinamumu**" **2004/108/EB** (15/12/04) - (10) su „**Žema įtampa**" **2006/95/EB** (12/12/06), suderinimo - (11) *taikomi harmonizuoti standartai*: - (12) Išdavusio asmens pavardė ir pareigos - (13) Data

SLOVENŠČINA (SLOVENIAN) (1) IZJAVA ES O VKLJUČENOSTI - (2) Mi: **DESOUTTER** - (3) Tehnična kartoteka je na voljo - (4) izjavljamo, da je izdelek (ozmerna izdelki): vaja - (5) vrsta stroja (ozmerna vrste): - (6) Izvor izdelka - (7) v skladu z zahtevami direktiv Sveta Evrope o približevanju



zakonodaje držav članic glede: - (8) "strojev" 2006/42/ES (17/05/06) - (9) "Elektromagnetne združljivosti" 2004/108/ES (15/12/04) - (10) "Nizke napetosti" 2006/95/ES (12/12/06) - (11) *vejavnih harmoniziranih standardov*: - (12) ime in funkcija izdajatelja - (13) Datum

POLSKI (POLISH)

(1) UE – DEKLARACJA WŁĄCZENIA - (2) My, firma DESOUTTER- (3) Plik techniczny jest dostępny w - (4) oświadczamy, że produkt (produkty): bor - (5) urządzenie typu (typów): - (6) Pochodzenie produktu - (7) jest (sa) zgodne z wymogami Dyrektywy Rady, odpowiadającej ustawodawstwu krajów członkowskich i dotyczącej: - (8) "maszyn i urządzeń" 2006/42/UE (17/05/06) - (9) Zgodności elektro-magnetycznej 2004/108/UE (15/12/04) - (10) "niskich napięć" 2006/95/UE (12/12/06) - (11) *stosowanych norm, wzajemnie zgodnych*: - (12) Nazwisko i stanowisko wydającego deklarację: - (13) Data

SLOVENSKY (SLOVAK)

(1) DEKLARÁCIA ER O LEGÁLŇNOM USTANOVENÍ - (2) My: DESOUTTER - (3) Technický súbor k dispozícii z - (4) prehlasujeme, že výrobok (y): vrták - (5) strojový typ(y): - (6) Pôvod produktu alebo výrobku - (7) zodpovedá požiadavkom Smernice rady, týkajúcich sa aproximácie zákonov členských štátov, pre: - (8) "strojné zariadenia" 2006/42/EC (17/05/06) - (9) po "Elektromagnetickú kompatibilitu" 2004/108/EC (15/12/04) - (10) po "Nízke napätie" 2006/95/EC (12/12/06) - (11) *zodpovedajúce harmonizačné normy*: - (12) Meno a funkcia vystavovateľa dokladu - (13) Dátum

LATVISKI (LATVIAN)

(1) EK DEKLARĀCIJA PAR IEKĻĀUŠANU MEHĀNISMA SASTĀVĀ - (2) Mēs, kompānija DESOUTTER - (3) Tehniskais fails pieejams ES - (4) deklarējam, ka šis (-ie) izstrādājums (-i): urbis - (5) ierīces tips (-i): - (6) Izstrādājuma izcelsme - (7) atbilst Padomes Direktīvu prasībām par dalībvalstu likumu piemērošanu, kas attiecas uz: - (8) "mehānismiem" 2006/42/EEK (17/05/06) - (9) "elektromagnētisko savietojamību" 2004/108/EEK (15/12/04) - (10) "zemspriegumu" 2006/95/EEK (12/12/06) - (11) *spēkā esošajam (-iem) saskaņotajam (-iem) standartam (-iem)*: - (12) Pieteicēja vārds un amats - (13) Datums

中文 (CHINESE)

(1) EC 一致性声明 - (2) 我们: DESOUTTER - (3) 技术参数资料可以从EU总部获得。 - (4) 声明其产品: 钻 - (5) 机器类型: - (6) 产品原产地 - (7) 符合会员国立法会议“决定”的相关要求: - (8) “机械” 2006/42/EC (17/05/06) - (9) “电磁相容性” 2004/108/EC (15/12/04) - (10) “低电压” 2006/95/EC (12/12/06) - (11) *适用协调标准*: - (12) 发行者名称和地点 - (13) 日期

РУССКИЙ (RUSSIAN)

(1) ЕС ДЕКЛАРАЦИЯ О ВКЛЮЧЕНИИ - (2) Мы: DESOUTTER - (3) Технический файл можно - (4) заявляем, что продукция: дрель - (5) тип оборудования: - (6) Происхождение продукта - (7) соответствует требованиям директивы европейского совета относительно законодательств стран-участниц по: - (8) "Машинному оборудованию" 2006/42/ЕС (17/05/06) - (9) по "Электромагнитной совместимости" 2004/108/ЕС (15/12/04) - (10) по "Низкому напряжению" 2006/95/ЕС (12/12/06) - (11) *применяемые согласованные нормы*: - (12) Фамилия и должность составителя - (13) Дата



This machine must not be put into service until the machinery, in which it is intended to be incorporated into or assembled with, has been declared in conformity with the provisions of the Council Directive 2006/42/EC relating to machinery.

Cette machine ne doit pas être mise en service, tant que l'appareillage auquel elle est incorporée ou assemblée, n'a pas été déclaré conforme aux dispositions de la directive du conseil, concernant le rapprochement des législations des états membres relatives aux machines (2006/42/CE).

(2) We :

(Fr) Nous

**Desoutter Ltd
Zodiac – Unit 4
Boundary Way
Hemel Hempstead
Herts – UK
HP2 7SJ**

(3) Technical file available from EU headquarter.

(Fr) Dossier technique disponible auprès du siège social

**Nicolas Lebreton, R&D Manager
CP
38 rue Bobby Sands – BP 10273
44818 Saint Herblain – France**

(4) declare that the product(s):

*(Fr) déclarons que les produits***AUTOMATIC FEED DRILLS***(Fr) Perceuses à avance automatique*

(5) Machine type(s) :

(Fr) type(s)

Box label : stick here
Coller l'étiquette ici

(6) Origin of the product : Hungary

(Fr) Origine du produit

(7) is in conformity with the requirements of the council Directives on the approximation of the laws of the Member States relating :

(Fr) est (sont) en conformité avec les exigences de la Directive du conseil, concernant les législations des états membres relatives :(8) to **"Machinery" 2006/42/EC (17/05/2006)***(Fr) aux "Machines" 2006/42/CE (17/05/2006)*

(11) applicable harmonized standard(s) : EN ISO 11148-3 : 2012

(Fr) Norme(s) harmonisée(s) applicable(s) :

(12) NAME and POSITION of issuer :

(Fr) NOM et FONCTION de l'émetteur :

**Nicolas LEBRETON
(R&D Manager)**



(13) Place & date : Saint Herblain , 14/11/2014

(Fr) Place et date