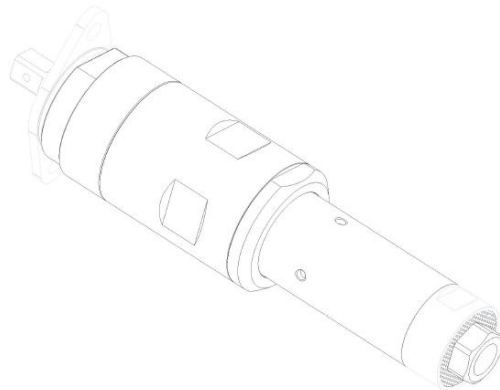


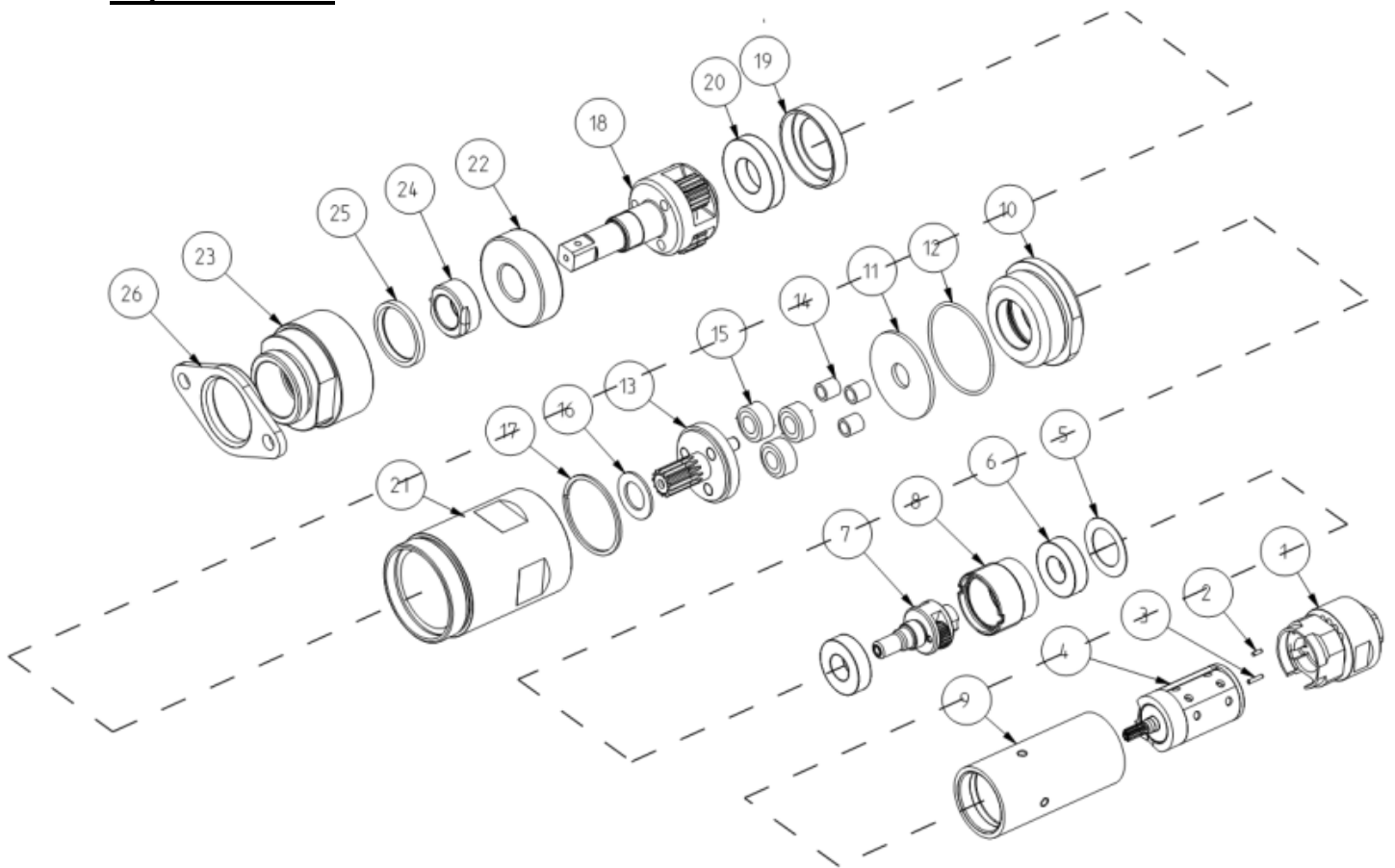


2051481604 :
M3901-60-SQ



SUBJECT: Special Air Motor M3901 (concentric exhaust, square output)

Exploded view:



| Item | P/N | Designation | Qty |
|------|------------|-------------------|-----|
| 1 | 2050559003 | BACKHEAD COMPL. | 1 |
| 2 | 790.58 | PARALLEL PIN | 1 |
| 3 | 2050537373 | PARALLEL PIN | 1 |
| 4 | 2050537113 | VANE MOTOR COMPL. | 1 |
| 9 | 2050536033 | CASING | 1 |
| 5 | 2050538263 | WASHER | 1 |



| | | | |
|----|------------|-----------------------|---|
| 6 | 2050535883 | BALL BEARING | 2 |
| 8 | 2050536633 | GEAR RIM | 1 |
| 7 | 6153985340 | PLANETARY GEAR COMPL. | 1 |
| 10 | 6155482120 | ADAPTER | 1 |
| 12 | 2050537343 | ORING | 1 |
| 11 | 2050543223 | WASHER | 1 |
| 14 | 6157851050 | NEEDLE CARRIER | 3 |
| 15 | 6154900500 | GEAR WHEEL | 3 |
| 13 | 6153967870 | PLANET SHAFT | 1 |
| 16 | 2050538293 | WASHER | 1 |
| 17 | 2050536013 | SNAP RING | 1 |
| 21 | 6154752790 | GEAR RIM | 1 |
| 19 | 2050536023 | BUSHING | 1 |
| 20 | 275603 | BALL BEARING | 1 |
| 18 | 2050559043 | PLANETARY GEAR COMPL. | 1 |
| 22 | 2050535943 | BALL BEARING | 1 |
| 23 | 2050558903 | FRONT PART | 1 |
| 24 | 2050537283 | NUT | 1 |
| 25 | 2050538033 | SEALING RING | 1 |
| 26 | 25893 | FLANGE | 1 |

For all technical datas related to this air motors, refer to the service sheet 6159920200 (M3901-60-TL)