



**Industrial** Tools



**PTF SERIES**  
Power and Precision

*The Best in Class  
combination of Cost  
and Quality*

**More Than Productivity**

# PTF

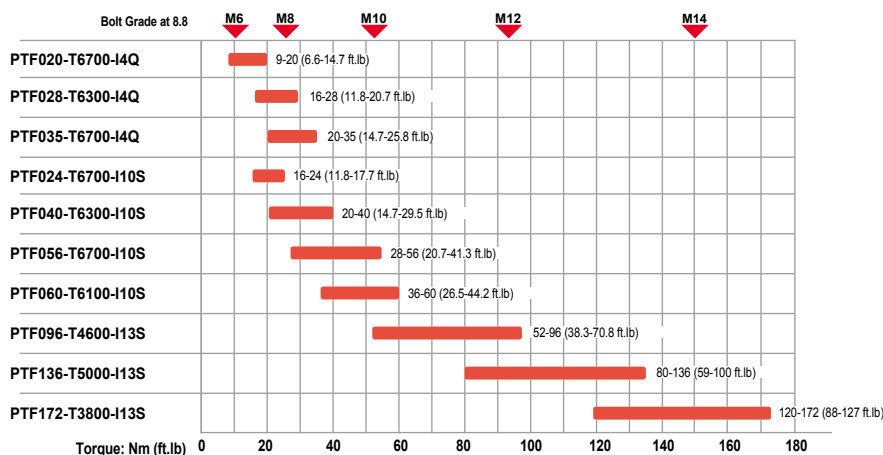
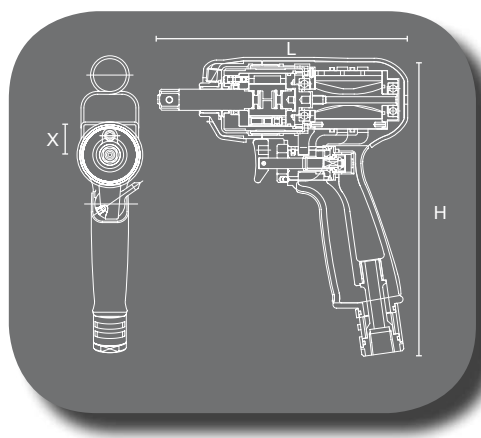
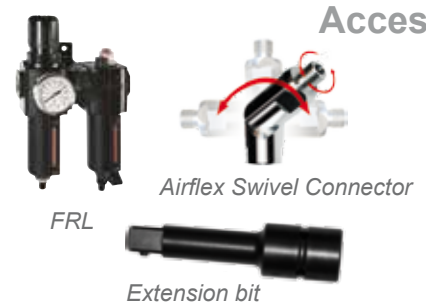
## Non shut off series



Lightweight and low vibration make it the perfect choice for any operation where an impact tool is used

- Productivity**
- Fast run down, short cycle time
  - One hand operation
  - High power/weight ratio

- Reliability**
- Low air pressure operation
  - Constant torque with oil accumulator



PIC REF	MODEL	PART NUMBER	FREE SPEED	OUTPUT DRIVE	TORQUE RANGE		DIMENSIONS						WEIGHT		AIR FLOW		HOSE INT. Ø	
					Nm	ft.lb	L	X	H	kg	lb	l/s	cfm	mm	in.			
			rpm	in.			mm	in.	mm	in.	mm	in.					mm	in.
<b>NON SHUT OFF</b>																		
A	PTF020-T6700-I4Q	615 172 101 0	6700	1/4 Hex	9-20	6.6-14.7	140	5.5	22	0.87	169	6.6	0.80	1.7	6.0	12.7	6	1/4
A	PTF028-T6300-I4Q	615 172 102 0	6300	1/4 Hex	16-28	11.8-20.7	140	5.5	22	0.87	169	6.6	0.80	1.7	6.7	14.1	6	1/4
A	PTF035-T6700-I4Q	615 172 103 0	6700	1/4 Hex	20-35	14.7-25.8	152	6.0	22	0.87	169	6.6	0.80	1.7	7.0	14.8	10	3/8
B	PTF024-T6700-I10S	615 172 072 0	6700	3/8 Sq	16-24	11.8-17.7	139.5	5.5	22	0.87	165.7	6.5	0.79	1.7	6.0	12.7	6	1/4
B	PTF040-T6300-I10S	615 172 074 0	6300	3/8 Sq	20-40	14.7-29.5	139.5	5.5	22	0.87	165.7	6.5	0.79	1.7	6.7	14.2	10	3/8
B	PTF056-T6700-I10S	615 172 075 0	6700	3/8 Sq	28-56	20.7-41.3	151.5	5.9	22	0.87	165.7	6.5	0.83	1.8	7.0	14.8	10	3/8
B	PTF060-T6100-I10S	615 172 076 0	6100	3/8 Sq	36-60	26.5-44.2	155	6.1	24	0.94	170.0	6.7	1.02	2.2	10.0	21.2	10	3/8
B	PTF096-T4600-I13S	615 172 077 0	4600	1/2 Sq	52-96	38.3-70.8	173	6.8	27	1.06	175.0	6.9	1.45	3.2	10.8	22.9	10	3/8
B	PTF136-T5000-I13S	615 172 078 0	5000	1/2 Sq	80-136	59-100	182.5	7.2	29.5	1.16	186.5	7.3	1.80	4.0	13.3	28.2	10	3/8
B	PTF172-T3800-I13S	615 172 079 0	3800	1/2 Sq	120-172	88-127	191.5	7.6	32	1.26	192.0	7.6	2.10	4.6	14.2	30.1	10	3/8

All models : Air inlet 1/4" PT  
 Torque values are recommended for a working pressure of 6.3 bar (90PSI)

Made in Japan

# PTF Shut off series

## Accuracy

- Improved accuracy vs impact tools
- Minimize joint relaxation

## Ergonomics

- Virtually reaction free
- Low noise/vibration
- Low weight
- Low trigger load on operator finger

### Accessories



Sockets

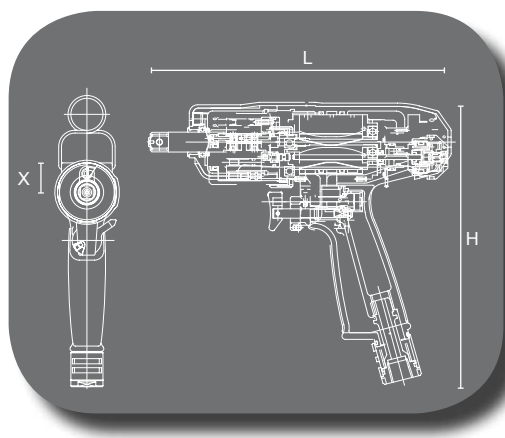
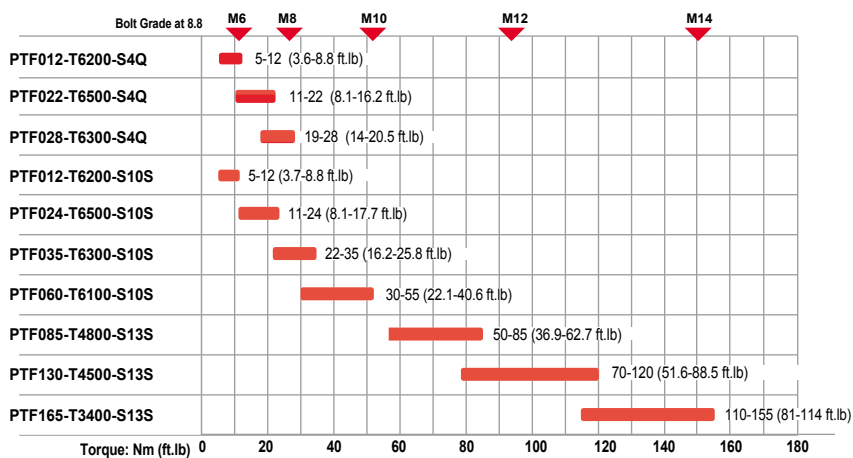


Hose Reel

Polyuréthane hose



Reduce operator influence with a shutoff system and guarantee the assembly at the specified torque



PIC REF	MODEL	PART NUMBER	FREE SPEED	OUTPUT DRIVE	TORQUE RANGE		DIMENSIONS			WEIGHT		AIR FLOW		HOSE INT. Ø	
					Nm	ft.lb	L	X	H	kg	lb	l/s	cfm	mm	in.

### SHUT OFF

C	PTF012-T6200-S4Q	615 172 104 0	6200	1/4 Hex	5-12	3.6-8.8	181	7.1	22	0.87	169	6.6	1.00	2.2	6.7	14.1	6	1/4
C	PTF022-T6500-S4Q	615 172 105 0	6500	1/4 Hex	11-22	8.1-16.2	181	7.1	22	0.87	169	6.6	1.00	2.2	7.5	15.9	6	1/4
C	PTF028-T6300-S4Q	615 172 106 0	6300	1/4 Hex	19-28	14-20.5	193	7.6	22	0.87	169	6.6	1.00	2.2	9.2	19.4	10	3/8
C	PTF012-T6200-S10S	615 172 081 0	6200	3/8 Sq	5-12	3.7-8.8	180.5	5.5	22	0.87	164.3	6.5	0.97	2.1	6.7	14.1	6	1/4
C	PTF024-T6500-S10S	615 172 084 0	6500	3/8 Sq	11-24	8.1-17.7	180.5	5.5	22	0.87	164.3	6.5	0.97	2.1	7.5	15.9	10	3/8
C	PTF035-T6300-S10S	615 172 087 0	6300	3/8 Sq	22-35	16.2-25.8	192.5	5.9	22	0.87	164.3	6.5	1.00	2.2	9.2	19.4	10	3/8
D	PTF060-T6100-S10S	615 172 088 0	6100	3/8 Sq	30-55	22.1-40.6	189.5	6.1	24	0.94	169.0	6.7	1.10	2.4	10	21.1	10	3/8
D	PTF085-T4800-S13S	615 172 089 0	4800	1/2 Sq	50-85	36.9-62.7	208.5	6.8	27	1.06	175.0	6.9	1.60	3.5	11.3	24.0	10	3/8
D	PTF130-T4500-S13S	615 172 090 0	4500	1/2 Sq	70-120	51.6-88.5	217.5	7.2	29.5	1.16	186.5	7.3	1.85	4.1	13.3	18.2	10	3/8
D	PTF165-T3400-S13S	615 172 091 0	3400	1/2 Sq	110-155	81-114	227.5	7.6	32	1.26	192.0	7.6	2.10	4.6	14.2	30.0	10	3/8

All models : Air inlet 1/4" PT

Torque values are recommended for a working pressure of 6.3 bar (90PSI)

Made in Japan

# More Than Productivity



[www.desouttertools.com](http://www.desouttertools.com)