



**15301823**  
Edition 1  
March 2009

# Piggyback Assembly

**1000 Series**

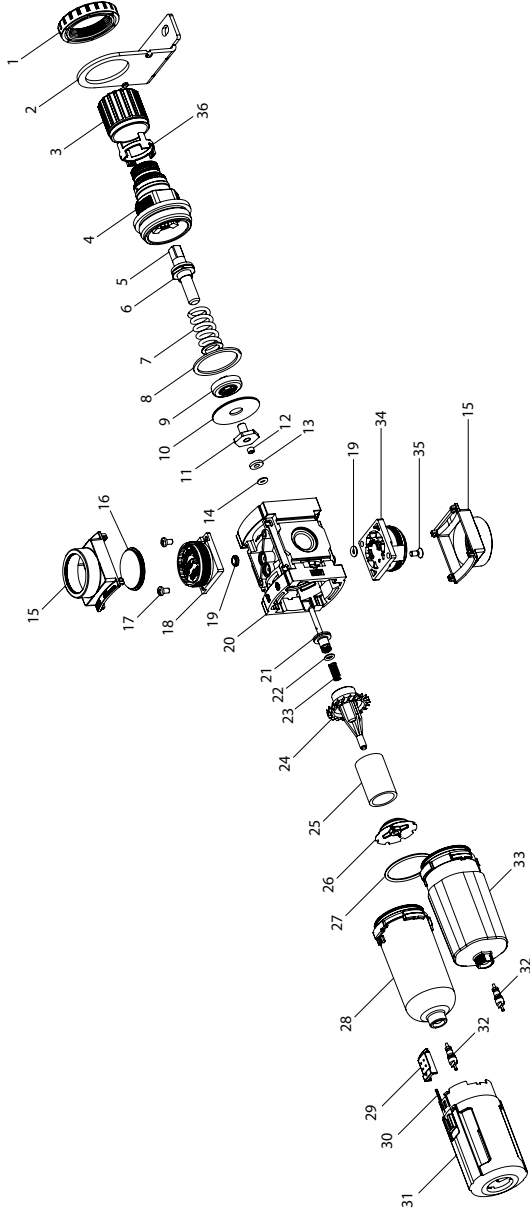
---

## Parts Information



Save These Instructions

# Piggyback Assembly 1000 Series P391XX-XXX Exploded Diagram

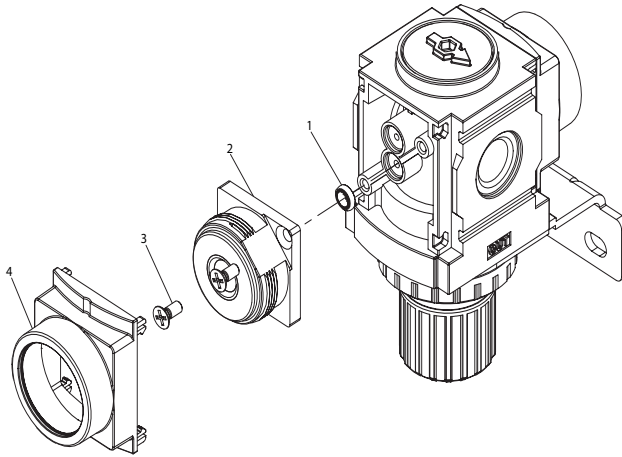


(Dwg. 15318611)

## Piggyback Assembly 1000 Series P391XX-XXX Parts List

Item	Part Description	Material	Part Number
1	Panel Mount Nut	Acetal	---
2	L-Bracket	Steel	---
3	Handle	Acetal	---
4	Bonnet		---
5	Adjusting Bolt	Steel	---
6	Adjusting Nut		---
7	Adjusting Spring	Steel	---
	0-30 psig (P391XX-4XX)		104305
	0-60 psig (P391XX-2XX)		104306
	0-140 psig (P391XX-1XX, P391XX-6XX)		104307
8	Diaphragm Ring	Acetal	---
9	Diaphragm Shell		---
10	Diaphragm	Nitrile+Acetal	---
11	Relief Valve	Acetal	---
12	Relief Valve Gasket	Nitrile	---
13	Stem O-Ring Holder	Aluminum	---
14	Stem O-Ring	Nitrile	---
15	Regulator Body Cover	Acetal	---
16	Gauge Window	Polycarbonate	---
17	Gauge Bolt	Steel	---
18	Gauge	---	104310
	0-140 psig (P391XX-6XX)		
19	Gauge O-Ring	Nitrile	---
20	Piggyback Body	Aluminum	---
	1/8" BSP (P391AX-XXX)		---
	1/4" BSP (P391BX-XXX)		---
	1/8" NPT (P3911X-XXX)		---
	1/4" NPT (P3912X-XXX)		---
21	Valve Assembly	Brass+Nitrile	---
22	Valve O-Ring	Nylon	---
23	Valve Spring	Stainless Steel	---
24	Deflector	Acetal	---
25	Filter Element	Polyethylene	---
	5 Micron (P391X4-XXX)		104295
	40 Micron (N/A)		104296
26	Baffle	Acetal	---
27	Bowl O-Ring	Nitrile	---
28	Poly Bowl (Includes Items 25, 27, 28, 29 and Drain)	Polycarbonate	---
	Manual Drain (P391XX-X00)		104298
	Auto Drain (P391XX-X04)		104299
29	Lock Button (P391XX-X0X)	Acetal	---
30	Lock Button Spring	Stainless Steel	---
	(P391XX-X0X)		
31	Bowl Guard	Nylon	---
	Manual Drain (P391XX-X00)		---
	Auto Drain (P391XX-X04)		---
32	Manual Drain (P391XX-XX0)	---	104294
33	Metal Bowl (Includes Item 25)	Aluminum	---
	Manual Drain (P391XX-X20)		104300
	Auto Drain (P391XX-X24)		104301
34	Block Cover	Nylon	---
35	Gauge Bolt	Steel	---
	Auto Drain (See Part List 15301799) (P391XX-XX4)	---	104293
36	Tamper Kit	Nylon	104304
	No Gauge Assembly (See Page 4)	---	---
	Service Kit (Includes Items 8, 9, 10, 11, 12, 19, 20 & 21)	---	---
	Relieving (P391XX-X0X, P391XX-X2X)		104302
	Non-Relieving (P391XX-X4X)		104303
	Service Kit (Includes Items 25 and 30)	---	104468

## No Gauge Assembly 1000 Series Exploded Diagram



(Dwg. 15318645)

### No Gauge Assembly 1000 Series Parts List

Item	Part Description	Material	Part Number	Item	Part Description	Material	Part Number
1	Gauge O-Ring	Nitrile	---	3	Block Cover Bolt	Steel	---
2	Gauge Plate	Acetal	---	4	Regulator Body Cover	Acetal	---

### Parts and Maintenance

When the life of the tool has expired, it is recommended that the tool be disassembled, degreased and parts be separated by material so that they can be recycled.

Tool repair and maintenance should only be carried out by an authorized Service Center.

Refer all communications to the nearest **Ingersoll Rand** Office or Distributor.

### Related Documentation

For additional information refer to:

Safety Information Manual 15301765.

Product Information Manual 15301773.

Maintenance Information Manual 15301781.

Manuals can be downloaded from [fluids.ingersollrand.com](http://fluids.ingersollrand.com)

Part No: 100400-59

[fluids.ingersollrand.com](http://fluids.ingersollrand.com)

© 2009 **Ingersoll Rand** Company

