



04581229
Edition 4
August 2015

Air Grinders and Air Die Grinders

G2 Series (Horizontal)

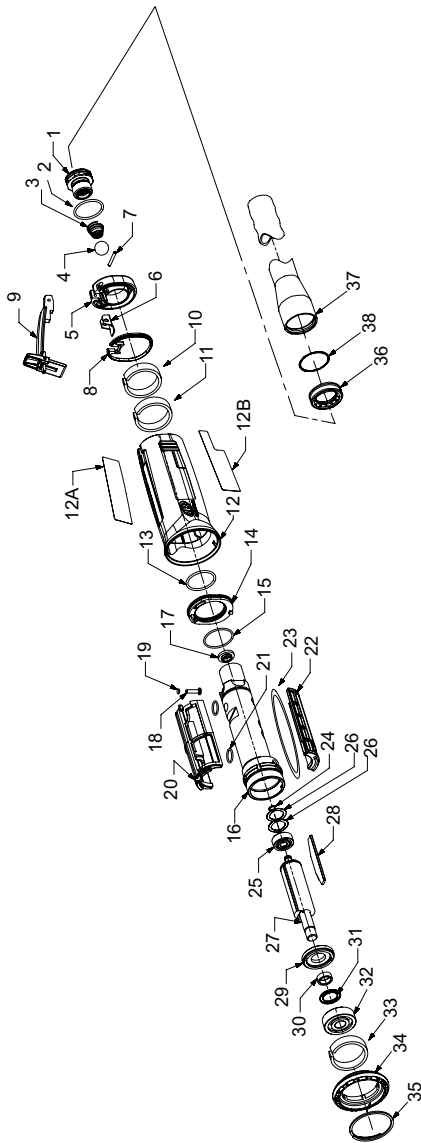
Parts Information



Save These Instructions

IR *Ingersoll Rand*

G2 Series (Horizontal) Air Grinder and Air Die Grinder - Exploded View (Body)



(Dwg. 16574394)

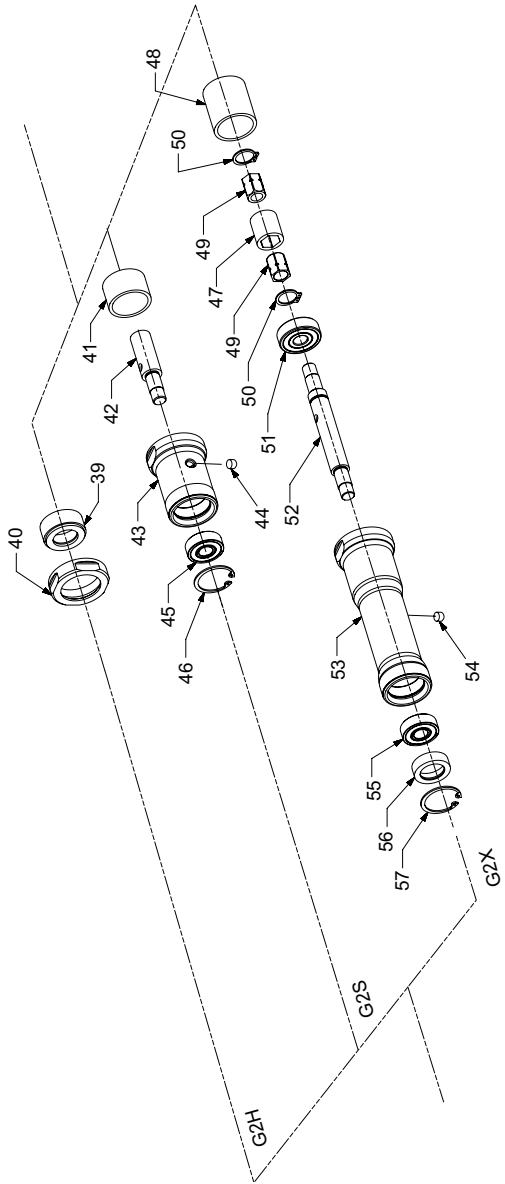
G2 Series (Horizontal) Air Grinder and Air Die Grinder - Parts List (Body)

Item	Part Description	Part Number	Item	Part Description	Part Number
Common parts for all G2H, G2X, and G2S Grinders					
1	Inlet Assembly	AG2-A465D	20	Flow Guide Assemblies	
*	Inlet Screen	R1602-61	21	Flow Guide O-Ring (2) (with each Flow Guide Assembly)	16570798
2	Inlet Seal	85H-167			
3	Ball Valve Spring	AG3-51	*	Flow Guide Assembly, for 250	AG2-A200-1
4	Ball	D10-280	*	Flow Guide Assembly, for 220	AG2-A200-2
5	Rear Exhaust Diffuser	AG2-123	*	Flow Guide Assembly, for 200	AG2-A200-3
6	Lever Support	LG2-89	*	Flow Guide Assembly, for 180	AG2-A200-4
7	Throttle Lever Pin	61H-120	22	Intake Cover Assembly	AG2-A144
8	Rear Exhaust Diffuser Gasket	AG2-223	23	Intake Cover O-Ring	16570780
9	Lever Assembly	AG2-A400	24	Rear Rotor Bearing Retainer	LG1-118
*	Lever	--	25	Rear Rotor Bearing	R120-127
*	Lock Spring	--	26	Rear Rotor Bearing Spacer (2)	400-25-191
*	Lock Pin	--	27	Rotor	AG2-53-4A
*	Lever Lock	--	28	Vane Pack	AG2-42-4
10	Rear Exhaust Diffuser Muffler	AG2-311B	29	Front End Plate	LG2-11
11	Rear Housing Muffler	AG2-311A	30	Front End Plate Spacer	LG2-65
12	Motor Housing Assembly	AG2-A40	31	Seal Assembly	61H-A32
12A	Warning Label	AG2-99	32	Front Rotor Bearing	LG2-24
12B	Model Label	AG2-301	33	Front Muffler	AG2-311F1
14	Exhaust Seal	AG2-318	34	Front Housing Cap	AG2-202
15	Front Cylinder O-Ring	16570772	35	Flange Clamp	LG2-29
16	Cylinder Assembly	AG2-A3	*	Exhaust Hose Adapter Kit	LG2-K284
*	Throttle Bushing	---	36	Adapter	LG2-184
17	Ball Valve Seat	AG2-303S	37	Hose	3RL-284
18	Throttle Pin Assembly	AG2-A161	38	Retainer	6WT-203
19	Throttle Pin O-Ring	16570806	†	Tune Up Kit, Includes Part Number (2, 3, 4, 8, 10, 11, 13, 14, 15, 18, 21, 24, 25, 26, 28, 31, 32, 33, & 35)	AG2-TK1
			†	Muffler Kit, Includes Part Number (10, 11, & 33)	AG2-MK311
			†	Rotor Kit, Includes Part Number (24, 25, 26, 27, 28, 29, 30, 31 & 32)	AG2-A53-4A

* Indicates Not Illustrated.

† Indicates common-wear parts. Maintain stock to reduce downtime.

G2 Series (Horizontal) Air Grinder and Air Die Grinder - Exploded View (Middle)



(Dwg. 16574402)

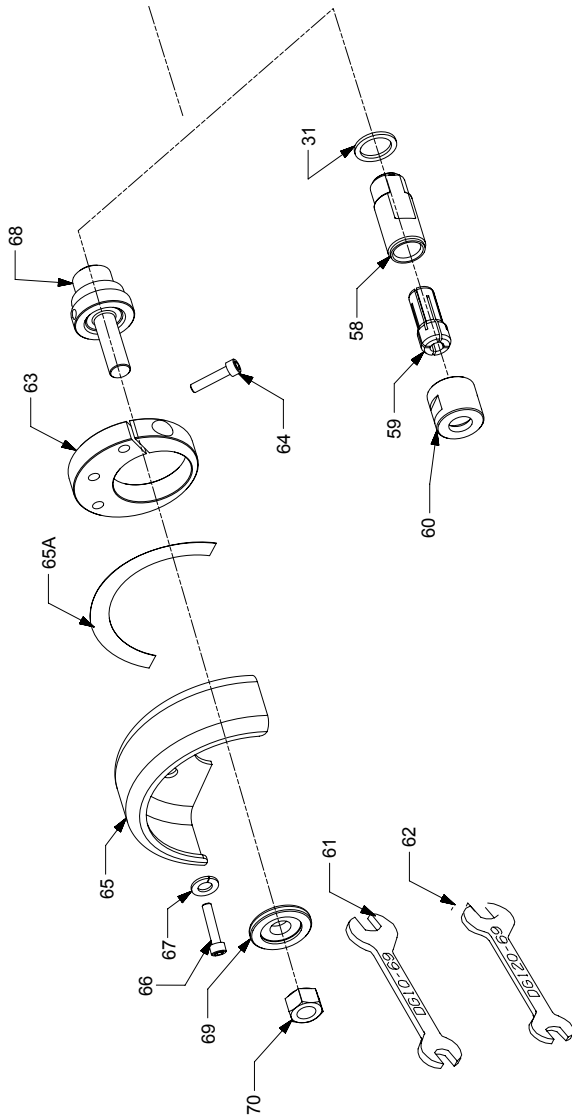
G2 Series (Horizontal) Air Grinder and Air Die Grinder - Parts List (Middle)

Item	Part Description	Part Number	Item	Part Description	Part Number
	Additional parts for all G2H models		51	Rear Arbor Bearing	LE2-22
39	Clamp Spacer	LG2-46	52	Arbor	
40	Clamp Nut	LG2-27		for all G2X models	LE2-4-5
	Additional parts for all G2S models			for all G2XX models	LE2-4-5SL
41	Clamp Sleeve	LE2-176	53	Arbor Housing	
42	Arbor	LE2-4		for all G2X models	LE2-20-5
43	Arbor Housing	LE2-20		for all G2XX models	LE2-20-5SL
44	Arbor Housing Plug	EG220-92	54	Arbor Housing Plug	EG220-92
45	Front Arbor Bearing	WFS182-22	55	Front Arbor Bearing	WFS182-22
46	Arbor Bearing Retaining Ring	W22-118	56	Arbor Bearing Shield (for models ending in G4)	LE2-200
	Additional parts for all G2X models		57	Arbor Bearing Retaining Ring	
47	Arbor Coupling	LE2-304		for all G2X models	W22-118
48	Clamp Sleeve	LE2-276		for all G2XX models (2)	W22-118
49	Arbor Bearing Nut (2)	LE2-85			
50	Coupling Retaining Ring (2)	RX3-729			

* Indicates Not Illustrated.

† Indicates common-wear parts. Maintain stock to reduce downtime.

G2 Series (Horizontal) Air Grinder, Air Die Grinder and Air Sander - Exploded View (End)



(Dwg. 16574410)

G2 Series (Horizontal) Air Grinder, Air Die Grinder and Air Sander - Parts List (End)

Item	Part Description	Part Number	Item	Part Description	Part Number
	Additional parts for all models ending in G4		66	Guard Mounting Screw (3)	LE2-667
58	Collet Body	LG2-290	67	Mounting Screw Washer (3)	L01-67-10
59	Collet		68	Straight Wheel Adapter	
	for models ending in -G4M	G160HD-700-6mm		for 3" diameter x 1/2 wide maximum Type 1 wheels	LE2-4-H63
	for models ending in -G4	G160HD-700-1/4		for 4" diameter x 1/4 wide maximum Type 1 wheels	LE3-4-H64
60	Collet Nut Assembly	DG120-699A	69	Wheel Flange	
61	Collet Body Wrench	DG10-69		for 3" diameter x 1/2 wide maximum Type 1 wheels	DEG31-16
62	Collet Nut Wrench	DG120-69		for 4" diameter x 1/4 wide maximum Type 1 wheels	LE3-16
	Additional parts for all models ending in H63 or H64		70	Flange Nut	23-697
63	Guard Adapter Assembly	LE2-A710			
64	Guard Adapter Screw	231-638-10			
*	Wheel Guard Assembly				
65	for 3" diameter x 1/2 wide maximum Type 1 wheels	LE2-A931			
	Wheel Guard	LE2-931			
	for 4" diameter x 1/4 wide maximum Type 1 wheels	LE2-A941			
	Wheel Guard	LE2-941			
65A	Warning Label	AG2-99G			

* Indicates Not Illustrated.

† Indicates common-wear parts. Maintain stock to reduce downtime.

Parts and Maintenance

When tool life has expired, it is recommended that the tool be disassembled, degreased and parts separated by material for proper recycling.

Tool repair and maintenance should only be carried out by an authorized Service Center.

Refer all communications to the nearest **Ingersoll Rand** office or distributor.

Related Documentation

Manuals can be downloaded from ingersollrandproducts.com

For additional information, refer to:

Air Grinder Product Safety Information Manual 04584959.

Air Die Grinder Product Safety Information Manual 04580288.

Air Grinder Product Information Manual 04581211 and 04581799.

Air Die Grinder Product Information Manual 04581203.

ingersollrandproducts.com

© 2015 Ingersoll Rand

