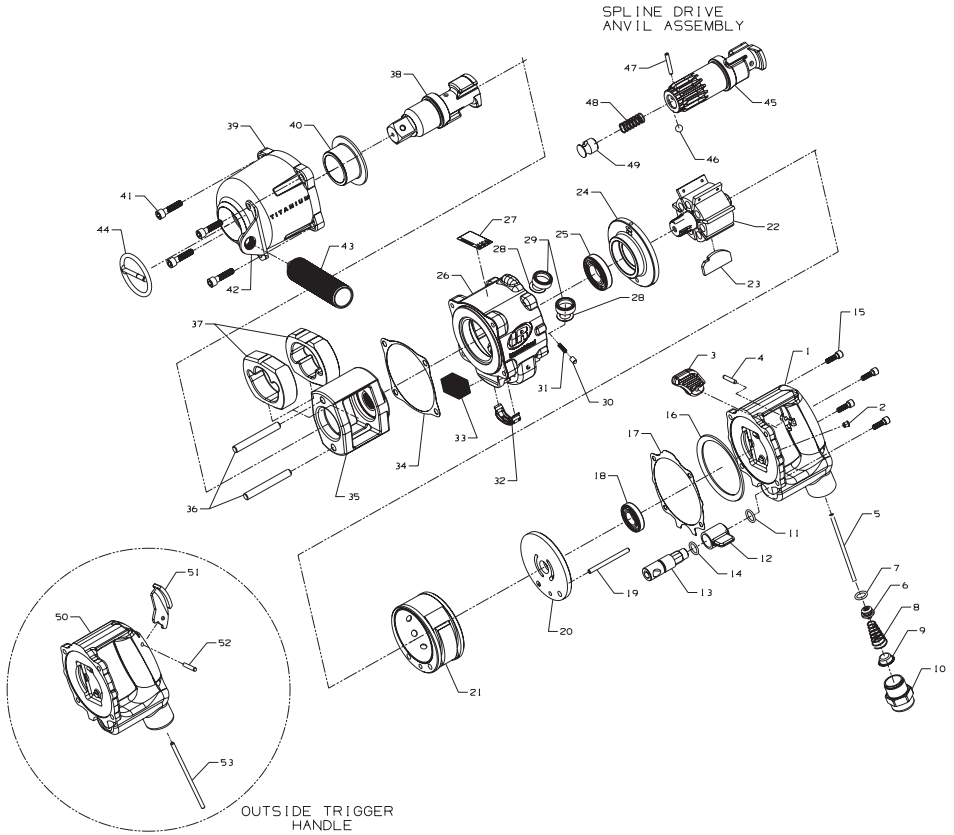


3940 and 3942 Series Air Impact Wrench Exploded Diagram



(Dwg. 80166754)

3940 and 3942 Series Air Impact Wrench Parts List

Item	Part Description	Part Number	Item	Part Description	Part Number
1	Inside Trigger Handle Assembly	3940-A92	† 30	Reverse Lock Plunger	4U-663B
2	Grease Fitting	130SR-188	† 31	Reverse Lock Plunger Spring	4U-664-10
3	Trigger	3940-93	32	Exhaust Deflector	
4	Trigger Pin	280-265		for 3940	3934-123
5	Throttle Valve Plunger	3940-302		for 3942	3940-123
6	Throttle Valve Assembly	2934-A50	† 33	Exhaust Silencer	
† • 7	Throttle Valve Seal	2934-159		for 3940	3934P-311
† 8	Throttle Valve Spring	834-51-5		for 3942	3940P-311
† • 9	Air Strainer Screen	434-61	† 34	Hammer Case Gasket	3940-36
10	Straight Inlet	845-565	35	Hammer Frame Assembly	2940-A703
† • 11	Reverse Valve Seal	R00BR-210	36	Hammer Pin (2)	2940-704
12	Reverse Lever	3940-75	37	Hammer (2)	2940-724
13	Reverse Valve		38	1" Square Drive Anvil	
	for 3940	3934-329		Standard Length	2940-726
	for 3942	3940-329		6" Extended Length	2940-314-6
† • 14	Reverse Valve Bushing Seal	85H-167	39	Hammer Case Assembly	3940-D727
15	Handle Cap Screw (4)	3940-638	40	Hammer Case Bushing	2934-641
16	Motor Clamp Washer	2934-207	41	Hammer Case Cap Screw (4)	3940-105
† • 17	Handle Gasket	3940-283	42	Dead Handle Bracket	3940-364
† 18	Rear Rotor Bearing	508-97	43	Dead Handle	3940-48
19	Cylinder Dowel		44	Socket Retainer	RR10015S
	for 3940	3934-98	45	Spline Drive Anvil Assembly	2940-A526
	for 3942	3940-98	† 46	Socket Retaining Ball	D04-280
20	Rear End Plate	2934-12	† 47	Plunger Retaining Pin	845-128
21	Cylinder		† 48	Retaining Plunger Spring	2940-231-5
	for 3940	2934-3	49	Retaining Ball Plunger	845-230
	for 3942	2940-3	50	Outside Trigger Handle Assembly	3940-A1
22	Rotor		51	Trigger	844-78
	for 3940	3934-53	52	Trigger Pin	280-265
	for 3942	3940-53	53	Throttle Valve Plunger	3940A-302
† • 23	Vane Packet (set of 7 vanes)			(Also includes illustrated parts 2,	
	for 3940	2934-42-7		6, 7, 8, 9, 10 & 11)	
	for 3942	2940-42-7	*	Grease Gun	R000A2-228
24	Front End Plate	3940-11	*	Tune-up Kit (includes illustrated parts 7,	
† 25	Front Rotor Bearing	810-97		8, 9, 11, 14, 17, 18, 23, 25, 28[2], 29[2],	
26	Motor Housing Assembly			30, 31, 33, 34, 46, 47, 48)	
	for 3940	3934-A40		for 3940	3940-TK1
	for 3942	3940-A40		for 3942	3942-TK1
27	Warning Label for Impacttools	WARNING-2-99			
† 28	Air Port Gasket Retainer (2)	2940-200			
† • 29	Air Port Gasket (2)	R44H-210A			

* Not Illustrated.

† Indicates Tune-up Kit Part

• To keep downtime to a minimum, it is desirable to have on hand certain repair parts. We recommend that you stock one (pair or set) of each part indicated by a bullet (•) for every four tools in service.

Parts and Maintenance

When the life of the tool has expired, it is recommended that the tool be disassembled, degreased and parts be separated by material so that they can be recycled.

Tool repair and maintenance should only be carried out by an authorized Service Center. Refer all communications to the nearest **Ingersoll-Rand** Office or Distributor.

Related Documentation

For additional information refer to:

Air Impact Wrench Product Safety Information Manual 04580916, Air Impact Wrench Product Information Manual 10569382 and Air Impact Wrench Maintenance manual 10569408.

Manuals can be downloaded from www.irttools.com.

