



# Automatic Machining Tools



**Table of Contents**



<b>Numerical Model Index</b> .....	<b>2</b>
<b>Tool Selection</b> .....	<b>4</b>
<b>ARO Automatic Machining Tools</b> .....	<b>5</b>
<b>Electric/Pneumatic Self-Feed Drills</b> .....	<b>6-11</b>
Series 34A Electra-Feed: 3/8" (9.5 mm) Capacity .....	7
Series 54C & 74B Electra-Feed: 1/2" (12.7 mm) Capacity .....	8-9
Series 34A, 54C & 74B Spindle Accessories .....	10-11
<b>Pneumatic Self-Feed Drills</b> .....	<b>12-19</b>
Bant-a-Matic Series: 3/16" (4.8 mm) Capacity .....	12-13
Par-a-Matic Series: 5/16" (7.9 mm) Capacity .....	12-13
Super Par-a-Matic Series: 1/2" (12.7 mm) Capacity .....	12-13
Twin Drills: 1/8" to 3/8" (3.2 to 9.5 mm) Capacity .....	14-15
Offset Drills: 3/16" (4.8 mm) Capacity .....	16
Peck-Feed Drills: 5/16" (7.9 mm) Capacity .....	17
High-Thrust 8670 Series: 5/8" (15.9 mm) Capacity .....	18-19
<b>Pneumatic-Self Feed &amp; Lead Screw Tappers</b> .....	<b>20-23</b>
Bant-a-Matic Series: No. 0 to 1/4" (M1.6 to M6) Capacity .....	20-21
Par-a-Matic Series: No. 0 to 1/2" (M1.6 to M12) Capacity .....	20-21
2200 Series Lead Screw: No. 0 to 1/2" (M1.6 to M12) Capacity .....	22-23
<b>Spindle Accessories</b> .....	<b>24-28</b>
Drill Chucks, Taper Adapters, Tap Chucks .....	24
Collets .....	25
Twin Drill Head Attachments .....	26-27
Twin Drill Collets .....	28
<b>Control Accessories</b> .....	<b>29-38</b>
<b>Mounting Accessories</b> .....	<b>39-49</b>
<b>CAD Drawings</b> .....	<b>50</b>
<b>Tool Dimensional Data</b> .....	<b>51-61</b>
<b>Service Kits</b> .....	<b>62</b>
<b>Notes</b> .....	<b>64</b>
<b>Contact Information</b> .....	<b>65</b>



**Numerical Model Index**

MODEL	DESCRIPTION	PAGE
FE034A-( )A-A	Series 34 Electra-Feed Drill .....	7
FE054C-( )(-)A	Series 54 Electra-Feed Drill .....	8
FE074B-( )(-)A	Series 74 Electra-Feed Drill .....	9
8245-B8-( )	Bant-A-Matic, Valve-In-Head Drill .....	12
8245-B30-( )	Bant-A-Matic, Valve-In-Head Drill .....	12
8245-B45-( )	Bant-A-Matic, Valve-In-Head Drill .....	12
8245-101-( )	Bant-A-Matic, Valve-In-Head Drill .....	12
8245-203-( )	Bant-A-Matic, Valve-In-Head Drill .....	12
8246-D5-2	Bant-A-Matic, Clutch-Type Tapper .....	20
8246-D8-2	Bant-A-Matic, Clutch-Type Tapper .....	20
8248-B8-( )	Bant-A-Matic, Twin Drill .....	14
8248-B30-( )	Bant-A-Matic, Twin Drill .....	14
8248-B45-( )	Bant-A-Matic, Twin Drill .....	14
8255-A5-( )	Par-A-Matic, Valve-In-Head Drill .....	12
8255-A8-( )	Par-A-Matic, Valve-In-Head Drill .....	12
8255-A14-( )	Par-A-Matic, Valve-In-Head Drill .....	12
8255-A21-( )	Par-A-Matic, Valve-In-Head Drill .....	12
8255-A28-( )	Par-A-Matic, Valve-In-Head Drill .....	12
8255-A50-( )	Par-A-Matic, Valve-In-Head Drill .....	12
8255-101-( )	Par-A-Matic, Valve-In-Head Drill .....	12
8255-172-( )	Par-A-Matic, Valve-In-Head Drill .....	12
8256-C5-2	Par-A-Matic, Clutch-Type Tapper .....	20
8256-C8-2	Par-A-Matic, Clutch-Type Tapper .....	20
8256-C14-2	Par-A-Matic, Clutch-Type Tapper .....	20
8257-A5-2	Par-A-Matic, Jaw-Type Tapper .....	20
8257-A8-2	Par-A-Matic, Jaw-Type Tapper .....	20
8257-A14-2	Par-A-Matic, Jaw-Type Tapper .....	20
8258-C5-( )	Par-A-Matic, Twin Drill .....	14
8258-C8-( )	Par-A-Matic, Twin Drill .....	14
8258-C14-( )	Par-A-Matic, Twin Drill .....	14
8258-C21-( )	Par-A-Matic, Twin Drill .....	14
8258-C28-( )	Par-A-Matic, Twin Drill .....	14
8258-C50-( )	Par-A-Matic, Twin Drill .....	14
8265-3-( )	Super Par-A-Matic, Valve-In-Head Drill .....	12
8265-6-( )	Super Par-A-Matic, Valve-In-Head Drill .....	12
8265-12-( )	Super Par-A-Matic, Valve-In-Head Drill .....	12
8265-25-( )	Super Par-A-Matic, Valve-In-Head Drill .....	12
8265-46-( )	Super Par-A-Matic, Valve-In-Head Drill .....	12
8265-101-( )	Super Par-A-Matic, Valve-In-Head Drill .....	12
8265-171-( )	Super Par-A-Matic, Valve-In-Head Drill .....	12
8266-A7-( )	Par-A-Matic, Offset Drill .....	16
8266-A12-( )	Par-A-Matic, Offset Drill .....	16
8266-A17-( )	Par-A-Matic, Offset Drill .....	16
8266-A23-( )	Par-A-Matic, Offset Drill .....	16
8268-A3-( )	Super Par-A-Matic Twin Drill .....	14
8268-A6-( )	Super Par-A-Matic Twin Drill .....	14

**Numerical Model Index**



MODEL	DESCRIPTION	PAGE
8268-A12-( )	Super Par-A-Matic Twin Drill .....	14
8268-A25-( )	Super Par-A-Matic Twin Drill .....	14
8268-A46-( )	Super Par-A-Matic Twin Drill .....	14
8345-B8-( )	Bant-A-Matic Thru-Head Drill .....	12
8345-B30-( )	Bant-A Matic Thru-Head Drill .....	12
8345-B45-( )	Bant-A Matic Thru-Head Drill .....	12
8345-203-( )	Bant-A-Matic Thru-Head Drill .....	12
8355-A5-( )	Par-A-Matic Thru-Head Drill .....	12
8355-A8-( )	Par-A-Matic Thru-Head Drill .....	12
8355-A14-( )	Par-A-Matic Thru-Head Drill .....	12
8355-A21-( )	Par-A-Matic Thru-Head Drill .....	12
8355-A28-( )	Par-A-Matic Thru-Head Drill .....	12
8355-A50-( )	Par-A-Matic Thru-Head Drill .....	12
8355-171-( )	Par-A-Matic Thru-Head Drill .....	12
8360-A5-3	Par-A-Matic Peck Drill .....	17
8360-A8-3	Par-A-Matic Peck Drill .....	17
8360-A14-3	Par-A-Matic Peck Drill .....	17
8360-A21-3	Par-A-Matic Peck Drill .....	17
8360-A28-3	Par-A-Matic Peck Drill .....	17
8360-A50-3	Par-A-Matic Peck Drill .....	17
8360-171-3	Par-A-Matic Peck Drill .....	17
8655-B( )-( )	Lead Screw Tapper .....	22
8656-B( )-( )	Lead Screw Tapper .....	22
8657-B( )-( )	Lead Screw Tapper .....	22
8658-B( )-( )	Lead Screw Tapper .....	22
8659-B( )-( )	Lead Screw Tapper .....	22
8670-4-3	Hi-Thrust Self-Feed Drill .....	18
8670-8-3	Hi-Thrust Self-Feed Drill .....	18
8670-13-3	Hi-Thrust Self-Feed Drill .....	18
8670-28-3	Hi-Thrust Self-Feed Drill .....	18
8670-47-3	Hi-Thrust Self-Feed Drill .....	18



**Tool Selection**

**SELF-FEED TOOL PERFORMANCE**

TOOL SERIES	*MOTOR H.P.	*THRUST IN POUNDS	*AIR CONSUMPTION IN CUBIC FEET, AT WORKING SPEED	
			TYP. 6 SEC. CYCLE	ONE MIN. OPERATION
Bant-A-Matic 8245, 8246, 8248	1/4	90	1.5	15.0
Series 34A, Electra-feed	1/3	330	N/A	0.14 per cycle
Par-A-Matic 8255, 8256, 8258, 8266	1/2	170	2.3	23.0
Series 54C, Electra-feed	1/2	330	N/A	0.14 per cycle
Super Par-A-Matic 8265, 8268	3/4	250	2.9	29.0
Series 74B, Electra-feed	3/4	330	N/A	0.14 per cycle
Hi-Thrust 8670	1-1/4	500	5.0	50.0
Lead Screw Tapper, All	5/8	**	3.0	30.0

\*At 90 PSI at tool inlet while operating    \*\*Positive feed mechanism - no piston thrust

**SELF-FEED DRILL SELECTION GUIDE**

**HOW TO USE CHART . . .** The selection chart below provides model recommendations based on factors of textbook speeds, actual drill test results, and judgements based on available power and thrust. It should be used as a guide only in selecting the model or models best suited to meet the general machining requirements of these materials. Proper selection of a feed tool for a specific application, however, must also take into account the density and hardness of the material to be drilled, the type of drill bit used, the cutting lubricant or coolant used, the production cycle desired, tool, life, and the amount of compressed air available.

Those models in italics are generally considered the more appropriate selections, but where more than one model is given the more powerful tool will do the job faster. Therefore, the best tool for the job will depend upon the desired production rate and the amount of available compressed air.

DRILL DIA.	ALUMINUM (2024-T4)		BRASS (SAE 72)		STEEL (SAE 1213)		WOOD, MEDIUM or FRP	
	Single Spindle	Twin Drill	Single Spindle	Twin Drill	Single Spindle	Twin Drill	Single Spindle	Twin Drill
1/16" (1.59 mm)	8245-203		8245-203			8258-C50		
	8255-101	8258-C50	8245-101	8258-C50	8245-B45	8248-B45	8245-203	8258-C50
1/8" (3.17 mm)	8245-B45	<i>8258-C50</i>	8245-B45	8258-C50	8265-46	8248-B30	8255-172	8248-B30
	<i>8255-101</i>	8268-A46	<i>8255-101</i>	8268-A46	8255-A50	8258-C28	8245-101	8258-C50
3/16" (4.76 mm)	8245-B30	8258-C28	8245-B30	8258-C28	<i>8245-B8</i>	<i>8258-C14</i>		
	<i>8255-A50</i>	8268-A46	<i>8255-A50</i>	8268-A46	8265-25	8268-A12	8245-B30	8258-C28
1/4" (6.35 mm)	8245-B30	8258-C14	<i>8245-B8</i>	8258-C14	8255-A14	8258-C5	8245-B30	8258-C14
	<i>8255-A28</i>	8268-A46	<i>8255-A28</i>	8268-A46	<i>8265-25</i>	<i>8268-A12</i>	<i>8255-A28</i>	8268-A25
5/16" (7.92 mm)	8255-A14	8268-A25	8255-A28	8268-A25	8255-A5	8268-A12	8245-B8	8268-A25
	<i>8265-25</i>	8268-A12	<i>8265-25</i>	8268-A12	<i>8265-12</i>	8268-A6	<i>8255-A21</i>	8268-A25
3/8" (9.52 mm)	8265-12	8268-A12	<i>8255-A14</i>					
	8670-47	8268-A6	<i>8265-12</i>	8268-A12	8265-6	8268-A6	8255-A8	8258-A12
7/16" (11.10 mm)	8265-12		8265-12		8670-13	8268-A3	<i>8265-25</i>	
	8670-47		8670-47					
1/2" (12.70 mm)	8265-12		8265-12			8265-3	8265-12	
	8670-47		8670-28			8670-8	8670-47	
9/16" (14.27 mm)	8265-6		8265-6				8265-12	
	8670-28		8670-28			8670-8	8670-28	
5/8" (15.87 mm)	8265-3		8265-3				8265-6	
	8670-13		8670-13			8670-4	8670-28	
11/16" (17.45 mm)							8265-3	
	8670-8		8670-8			8670-4	8670-13	
3/4" (19.05 mm)	8670-8		8670-4				8670-8	

## ARO Automatic Machining Tools



### PRECISION AND VERSATILITY AT THE CUTTING EDGE

Today's fast paced and increasingly complex manufacturing environment demands versatile and affordable tools. Tools that are precise and reliable. Tools that are easy to use and simple to maintain, and most of all, able to evolve if and when production needs change. ARO automatic machining tools bring these qualities and more to your secondary machining operations.

Designed with extensive input from customers throughout industry, this tool line offers the most efficient and flexible tools for drilling, reaming, counter-sinking, counterdrilling and tapping requirements in most metals and non-metals. Whether your application is in plastic molding, metal die casting, or woodworking, ARO pneumatic and electric/pneumatic self-feed drills and lead screw tappers deliver highly effective and economical solutions to thousands of machining challenges.



Depending upon your process requirements and plant power sources, you can choose from electric/pneumatic or pneumatic self-feed drills, pneumatic self-feed and lead screw tappers, plus a wide range of spindle, control, and mounting accessories. All provide exceptional precision and versatility. For example, on one foundation for the new series 34 Electra-Feed Drill you can select from among 20 rapid-change speeds and 10 versatile spindle accessories to design a custom tool. Should your needs change, you can transform the tool with minimal additional investment - simply alter the speed via a new pulley set or switch your spindle accessory to address a new application.

The remarkable flexibility of Series 34, 54, and 74 models is surpassed only by their precision. Our spindle with pre-loaded bearing support offers accurate targeting, longevity, and runout of .001 T.I.R., or less. And built-in dwell control holds repeatable depth to within .002 inches. Electric spindle power is ideal for plants with a limited supply of compressed air, or for operations seeking to supplement existing pneumatic tools.

This catalog is the perfect starting point and your ARO distributor or representative will be happy to provide expert consultation to help you meet your business objectives.

- **SERIES 34A** 1/3 HP 5/16 CAPACITY STEEL
- **SERIES 54C** 1/2 HP 3/8 CAPACITY STEEL
- **SERIES 74B** 3/4 HP 1/2 CAPACITY STEEL

### CUSTOMER-DRIVEN DESIGN FOR VERSATILITY AND EASY MAINTENANCE

ARO's Series 34, 54 and 74 models are highly flexible and extremely versatile, offering simple design innovations that put them ahead of other products in their class:

- An extensive selection of tapping heads, drill chucks, and collets that can be interchanged as applications demand.
- 20 spindle speeds for optimum performance, driven by an easy-to-access pulley system that can be changed quickly and easily to accommodate new diameters or materials.
- Compact size (24 inches) and modest weight (30 lbs.) for flexibility in use and mounting, allowing a maximum number of simultaneous secondary operations.
- A simple, customer-driven design that includes fewer parts than competitive tools - with less-frequent, lower-cost maintenance.
- A central module for three remote control options - electronic (24V DC), electric (115V AC), and pneumatic allows for easier machine diagnostics.
- Manual controls for feed and retract that remain operational for setup while using remote controls.
- Standard frame motors with dual voltage capabilities (230/460V AC).



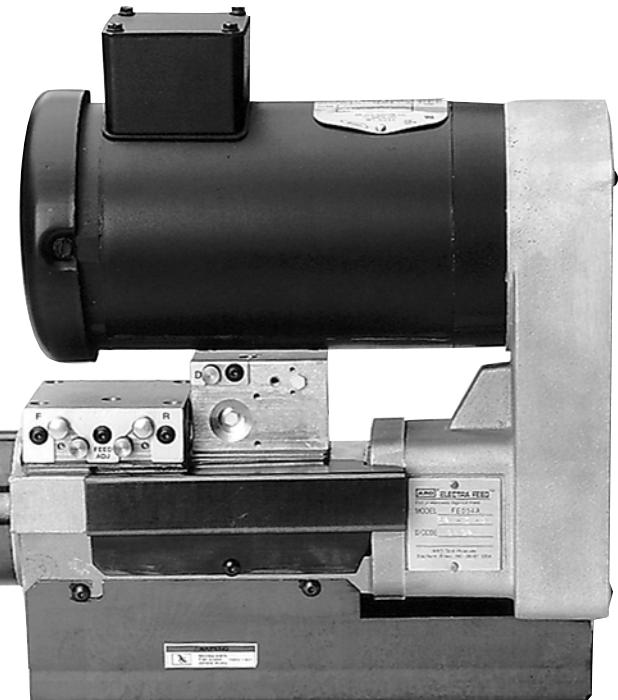
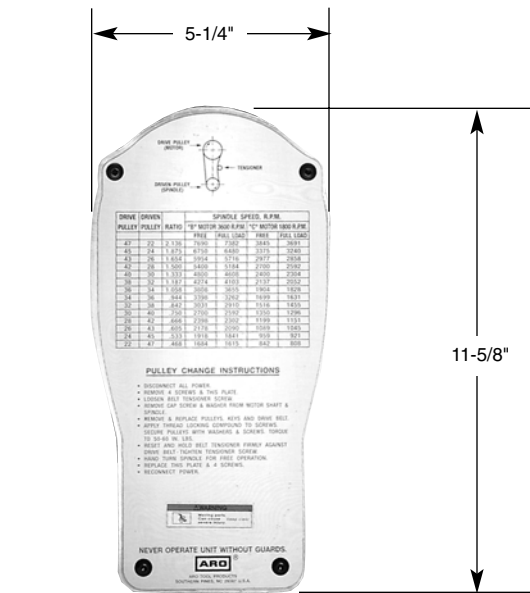
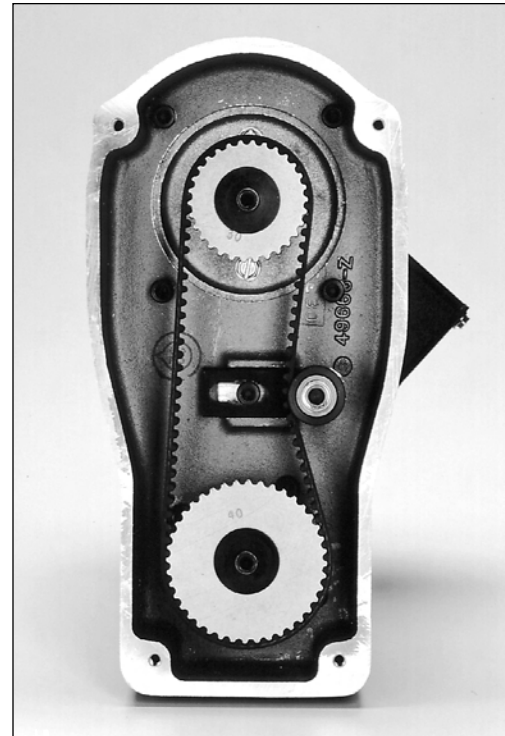


**Electric/Pneumatic Self-Feed Drills**

**RELIABLE AND PRECISE PERFORMANCE FOR CONSISTENT RESULTS**

Each unique feature of the ARO Series 34, 54 and 74 Electra-Feed Drill supports unsurpassed performance accuracy:

- A precision spindle with pre-loaded bearing support for accurate targeting, longevity, and .001 t.i.r. runout, or less.
- Built-in dwell control that holds repeatable depth within .002 inches.
- Individually adjustable feed rate control for advance and retract.
- The longest usable tool stroke length (adjustable to 110 mm [4.33 inches]) available in such a compact tool.
- Variable thrust from 150 to 330 lbs. for proper penetration power and rate.
- A heavy duty, ball-bearing supported drive train that is fully sealed and prelubed.
- Air and electric I/O's for control and feedback.

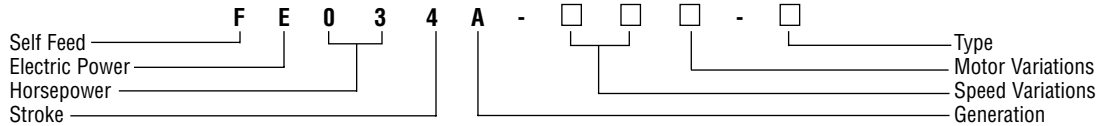


(See page 51 for more dimensions)

**Electric/Pneumatic Self-Feed Drills**



Made in the U.S.A. to the Following Specifications: **F E O 3 4 A - 7 7 B - A**  
 Example of product identification



Model Number FE034A-( )-A	Free Speed, R.P.M.	Load Speed Peak H.P. R.P.M.	Torque, Peak H.P. LB.FT.	Stainless 300 Series	Nominal Drilling Capacities Steel S.A.E. 1213	Aluminum 2024-T4	Med. Wood or F.R.P.
FE034A-77B-A	7690	7013	0.23	.018/.020	.036/.040	.070/.093	.078/.096
FE034A-67B-A	6750	6155	0.26	.020/.026	.040/.046	.093/.101	.096/.110
FE034A-59B-A	5954	5486	0.30	.026/.029	.046/.052	.101/.116	.110/.125
FE034A-54B-A	5400	4977	0.33	.029/.032	.052/.059	.116/.136	.125/.140
FE034A-48B-A	4800	4470	0.38	.032/.037	.059/.063	.136/.147	.140/.156
FE034A-43B-A	4274	3979	0.42	.037/.041	.063/.073	.147/.166	.156/.187
FE034A-38B-A	3808	3582	0.47	.041/.046	.073/.082	.166/.187	.187/.209
FE034A-34B-A	3398	3197	0.53	.046/.052	.082/.093	.187/.201	.209/.234
FE034A-30B-A	3030	2851	0.60	.052/.059	.093/.104	.201/.221	.234/.265
FE034A-27B-A	2700	2566	0.67	.059/.067	.104/.116	.221/.234	.265/.281
FE034A-24B-A	2400	2279	0.75	.067/.073	.116/.128	.234/.265	.281/.312
FE034A-22B-A	2178	2070	0.83	.073/.081	.128/.147	.265/.281	.312/.343
FE034A-19B-A	1920	1822	0.94	.081/.093	.147/.164	.281/.296	.343/.390
FE034A-17B-A	1685	1600	1.07	.093/.098	.164/.187	.296/.312	.390/.406
FE034A-38C-A	3845	3507	0.47	.041/.046	.073/.082	.166/.187	.187/.209
FE034A-34C-A	3375	3078	0.53	.046/.052	.082/.093	.187/.201	.209/.234
FE034A-30C-A	2977	2744	0.60	.052/.059	.093/.104	.201/.221	.234/.265
FE034A-27C-A	2700	2488	0.67	.059/.067	.104/.116	.221/.234	.265/.281
FE034A-24C-A	2400	2235	0.75	.067/.073	.116/.128	.234/.265	.281/.312
FE034A-22C-A	2137	1990	0.83	.073/.081	.128/.147	.265/.281	.312/.343
FE034A-19C-A	1904	1791	0.94	.081/.093	.147/.164	.281/.296	.343/.390
FE034A-17C-A	1699	1598	1.07	.093/.098	.164/.187	.296/.312	.390/.406
FE034A-15C-A	1516	1426	1.20	.098/.109	.187/.204	.312/.328	.406/.421
FE034A-14C-A	1350	1283	1.34	.109/.116	.204/.234	.328/.343	.421/.437
FE034A-12C-A	1199	1139	1.50	.116/.125	.234/.250	.343/.359	.437/.453
FE034A-11C-A	1089	1034	1.66	.125/.140	.250/.265	.359/.375	.453/.468
FE034A-10C-A	959	911	1.88	.140/.161	.265/.281	.375/.390	.468/.484
FE034A-08C-A	842	800	2.14	.161/.187	.281/.312	.390/.406	.484/.531

NOTE: Tools are not supplied with the required motor starter. The starter unit should conform to local/national regulations and must provide overload protection. Complete wiring and connection data are given in the tool's Operator's Manual.

Air Consump. Per Cycle	Operating Sound Level	Stroke Length	Spindle Mount	Power Air Inlet	Req. Inlet Hose Size	Remote Control Port Size	Operating Pressure Range
.014 ft. <sup>3</sup>	60 dB (A)	4.33 inches	#33 Jacobs	1/8 N.P.T.	1/4 I.D.	#10-32	50-100
.40 L		110 mm	Male	Female		Female	P.S.I.G.
<b>Thrust Output, Lbs.</b>	330	314	297	280	264	248	231
<b>Air Pressure, P.S.I.G.</b>	100	95	90	85	80	75	70
							65
							60
							55
							50
							45

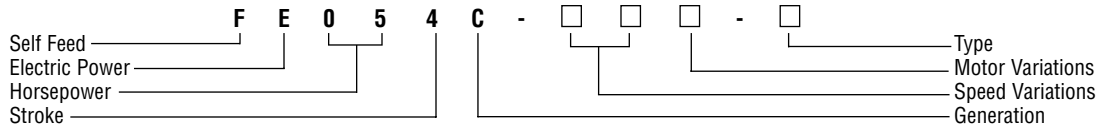




**Electric/Pneumatic Self-Feed Drills**

Made in the U.S.A. to the Following Specifications: F E O 5 4 C - 2 2 B - A

Example of product identification



Model Number FE054C-( )-A	Free Speed, R.P.M.	Load Speed Peak H.P. R.P.M.	Torque, Peak H.P. LB. FT.	Stainless 300 Series	Nominal Drilling Capacities Steel S.A.E. 1213	Aluminum 2024-T4	Med. Wood or F.R.P.
FE054C-77B-A	7690	7013	0.32	.018/.020	.036/.046	.070/.101	.078/.096
FE054C-67B-A	6750	6155	0.36	.020/.026	.046/.055	.101/.125	.096/.125
FE054C-59B-A	5954	5486	0.41	.026/.032	.055/.062	.125/.147	.125/.140
FE054C-54B-A	5400	4977	0.46	.032/.038	.062/.073	.147/.169	.140/.156
FE054C-48B-A	4800	4470	0.51	.038/.048	.073/.081	.169/.187	.156/.187
FE054C-43B-A	4274	3979	0.57	.048/.054	.081/.086	.187/.196	.187/.228
FE054C-38B-A	3808	3582	0.65	.054/.060	.086/.093	.196/.228	.228/.250
FE054C-34B-A	3398	3197	0.72	.060/.066	.093/.101	.228/.250	.250/.281
FE054C-30B-A	3031	2851	0.81	.066/.072	.101/.110	.250/.281	.281/.312
FE054C-27B-A	2700	2566	0.91	.072/.078	.110/.125	.281/.296	.312/.343
FE054C-24B-A	2398	2279	1.03	.078/.084	.125/.138	.296/.312	.343/.375
FE054C-22B-A	2178	2070	1.13	.084/.090	.138/.156	.312/.343	.375/.406
FE054C-19B-A	1918	1822	1.28	.090/.096	.156/.187	.343/.375	.406/.437
FE054C-17B-A	1684	1600	1.46	.096/.110	.187/.250	.375/.406	.437/.484
FE054C-38C-A	3845	3507	0.65	.054/.060	.086/.093	.196/.228	.228/.250
FE054C-34C-A	3375	3078	0.72	.060/.066	.093/.101	.228/.250	.250/.281
FE054C-30C-A	2977	2744	0.81	.066/.072	.101/.110	.250/.281	.281/.312
FE054C-27C-A	2700	2488	0.91	.072/.078	.110/.125	.281/.296	.312/.343
FE054C-24C-A	2400	2235	1.03	.078/.084	.125/.138	.296/.312	.343/.375
FE054C-22C-A	2137	1990	1.13	.084/.090	.138/.156	.312/.343	.375/.406
FE054C-19C-A	1904	1791	1.28	.090/.096	.156/.187	.343/.375	.406/.437
FE054C-17C-A	1699	1598	1.46	.096/.110	.187/.250	.375/.406	.437/.484
FE054C-15C-A	1516	1426	1.62	.110/.125	.250/.281	.406/.421	.484/.531
FE054C-14C-A	1350	1283	1.82	.125/.136	.281/.312	.421/.437	.531/.562
FE054C-12C-A	1199	1139	2.05	.136/.152	.312/.343	.437/.453	.562/.593
FE054C-11C-A	1089	1034	2.26	.152/.166	.343/.359	.453/.468	.593/.625
FE054C-10C-A	959	911	2.56	.166/.182	.359/.375	.468/.484	.625/.656
FE054C-08C-A	842	800	2.92	.182/.201	.375/.390	.484/.500	.656/.687

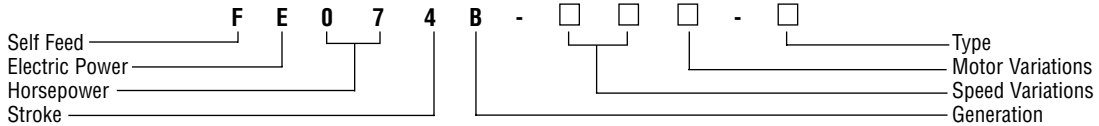
NOTE: Tools are not supplied with the required motor starter. The starter unit should conform to local/national regulations and must provide overload protection. Complete wiring and connection data are given in the tool's Operator's Manual.

Motor "B"—Part No. 49685-3 .50 H.P., 3600 R.P.M., 220/270 VC, 380/460 VY, 3 PH, 50/60 Hz	Motor "C"—Part No. 49685-4 .50 H.P., 1800 R.P.M., 220/270 VC, 380/460 VY, 3 PH, 50/60 Hz											
<b>Air Consump. Per Cycle</b>	<b>Operating Sound Level</b>	<b>Stroke Length</b>	<b>Spindle Mount</b>	<b>Power Air Inlet</b>	<b>Req. Inlet Hose Size</b>	<b>Remote Control Port Size</b>	<b>Operating Pressure Range</b>					
.014 ft. <sup>3</sup>	60 dB (A)	4.33 inches	#33 Jacobs	1/8 N.P.T.	1/4 I.D.	#10-32	50-100					
.40 L		110 mm	Male	Female		Female	P.S.I.G.					
<b>Thrust Output, Lbs.</b>	330	314	297	280	264	248	231	215	198	182	165	149
<b>Air Pressure, P.S.I.G.</b>	100	95	90	85	80	75	70	65	60	55	50	45

**Electric/Pneumatic Self-Feed Drills**



Made in the U.S.A. to the Following Specifications: **F E O 7 4 B - 3 0 C - A**  
 Example of product identification



Model Number FE074B-( )-A	Free Speed, R.P.M.	Load Speed Peak H.P. R.P.M.	Torque, Peak H.P. LB. FT.	Stainless 300 Series	Nominal Drilling Capacities Steel S.A.E. 1213	Aluminum 2024-T4	Med. Wood or F.R.P.
FE074B-77B-A	7690	7013	0.48	.018/.020	.046/.055	.070/.125	.078/.109
FE074B-67B-A	6750	6155	0.54	.020/.026	.055/.062	.125/.140	.109/.140
FE074B-59B-A	5954	5486	0.62	.031/.036	.062/.070	.140/.156	.140/.187
FE074B-54B-A	5400	4977	0.69	.036/.042	.070/.084	.156/.183	.187/.250
FE074B-48B-A	4800	4470	0.77	.042/.054	.084/.090	.183/.196	.250/.312
FE074B-43B-A	4274	3979	0.86	.054/.062	.090/.101	.196/.218	.312/.375
FE074B-38B-A	3808	3582	0.98	.062/.070	.101/.112	.218/.250	.375/.437
FE074B-34B-A	3398	3197	1.08	.070/.078	.112/.125	.250/.281	.437/.468
FE074B-30B-A	3031	2851	1.22	.078/.084	.125/.140	.281/.312	.468/.500
FE074B-27B-A	2700	2566	1.37	.084/.090	.140/.156	.312/.340	.500/.531
FE074B-24B-A	2398	2279	1.55	.090/.101	.156/.187	.340/.375	.531/.562
FE074B-22B-A	2178	2070	1.70	.101/.110	.187/.203	.375/.406	.562/.593
FE074B-19B-A	1918	1822	1.92	.110/.125	.203/.218	.406/.437	.593/.625
FE074B-17B-A	1684	1600	2.19	.125/.136	.218/.234	.437/.468	.625/.656
FE074B-38C-A	3845	3507	0.98	.062/.070	.101/.112	.218/.250	.375/.437
FE074B-34C-A	3375	3078	1.08	.070/.078	.112/.125	.250/.281	.437/.468
FE074B-30C-A	2977	2744	1.22	.078/.084	.125/.140	.281/.312	.468/.500
FE074B-27C-A	2700	2488	1.37	.084/.090	.140/.156	.312/.340	.500/.531
FE074B-24C-A	2400	2235	1.55	.090/.101	.156/.187	.340/.375	.531/.562
FE074B-22C-A	2137	1990	1.70	.101/.110	.187/.203	.375/.406	.562/.593
FE074B-19C-A	1904	1791	1.92	.110/.125	.203/.218	.406/.437	.593/.625
FE074B-17C-A	1699	1598	2.19	.125/.136	.218/.265	.437/.468	.625/.656
FE074B-15C-A	1516	1426	2.43	.136/.156	.265/.315	.468/.484	.656/.687
FE074B-14C-A	1350	1283	2.73	.156/.187	.315/.343	.484/.500	.687/.718
FE074B-12C-A	1199	1139	3.08	.187/.190	.343/.375	.500/.531	.718/.750
FE074B-11C-A	1089	1034	3.39	.190/.203	.375/.437	.531/.546	.750/.781
FE074B-10C-A	959	911	3.84	.203/.250	.437/.500	.546/.562	.781/.812
FE074B-08C-A	842	800	4.38	.250/.312	.500/.531	.562/.625	.812/.875

NOTE: Tools are not supplied with the required motor starter. The starter unit should conform to local/national regulations and must provide overload protection. Complete wiring and connection data are given in the tool's Operator's Manual.

Motor "B"—Part No. 49685-5 .75 H.P., 3600 R.P.M., 220/270 VC, 380/460 VY, 3 PH, 50/60 Hz	Motor "C"—Part No. 49685-6 .75 H.P., 1800 R.P.M., 220/270 VC, 380/460 VY, 3 PH, 50/60 Hz
--	--

Air Consump. Per Cycle	Operating Sound Level	Stroke Length	Spindle Mount	Power Air Inlet	Req. Inlet Hose Size	Remote Control Port Size	Operating Pressure Range
.014 ft. <sup>3</sup>	60 dB (A)	4.33 inches	#33 Jacobs	1/8 N.P.T.	1/4 I.D.	#10-32	50-100
.40 L		110 mm	Male	Female		Female	P.S.I.G.

<b>Thrust Output, Lbs.</b>	330	314	297	280	264	248	231	215	198	182	165	149
<b>Air Pressure, P.S.I.G.</b>	100	95	90	85	80	75	70	65	60	55	50	45



**Electric/Pneumatic Self-Feed Drills**

**INTERCHANGEABLE SPINDLE ACCESSORIES  
 ADDRESS A MULTITUDE OF NEEDS**

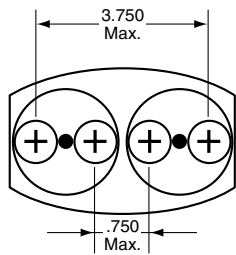
The Electra-Feed Drills can be used with an extensive selection of tapping heads, drill chucks, and collets that can be changed as your secondary machining applications demand.

This flexibility helps ensure that your investment today won't be obsolete tomorrow.

**SERIES 34A, 54C & 74B SPINDLE OPTIONS**



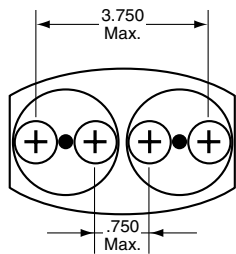
**1**  
**Twin Drill Head 47276**  
 (see chart at right)  
 adjustable centers



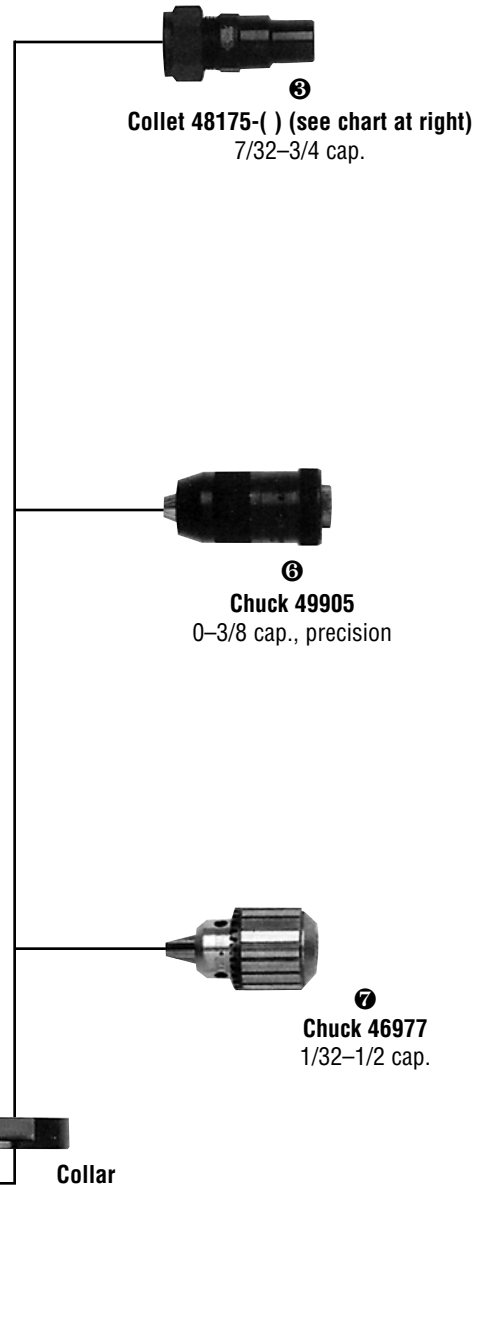
see collets 46033-( )



**2**  
**Twin Tap Head 47908**  
 (see chart at right)  
 adjustable centers



see collets 46033-( )



**Electric/Pneumatic Self-Feed Drills**



Bore Diameter +000/- .0035	Drill Sizes		Twin Drill Collets		Collet No.	Bore Diameter +000/- .0035	Drill Sizes		Collet No.
	inch	no.	mm	mm			inch	no.	
.079"	5/64	47	2.0	46033-1	.228"	1	5.8	46033-39	
.083"		45	2.1	46033-2	.232"	-	5.9	46033-40	
.087"		44	2.2	46033-3	.236"	15/64	A	6.0	46033-41
.091"		43	2.3	46033-4	.240"		B	6.1	46033-42
.094"	3/32	42	2.4	46033-5	.244"		C	6.2	46033-43
.098"		40	2.5	46033-6	.248"		D	6.3	46033-44
.102"		38	2.6	46033-7	.252"	1/4	E	6.4	46033-45
.106"		36	2.7	46033-8	.256"		F	6.5	46033-46
.110"	7/64	35	2.8	46033-9	.260"		G	6.6	46033-47
.114"		33	2.9	46033-10	.264"	17/64	-	6.7	46033-48
.118"		32	3.0	46033-11	.268"		H	6.8	46033-49
.122"		31	3.1	46033-12	.272"		I	6.9	46033-50
.126"	1/8	-	3.2	46033-13	.276"		J	7.0	46033-51
.130"		30	3.3	46033-14	.280"	9/32	K	7.1	46033-52
.134"		29	3.4	46033-15	.283"		-	7.2	46033-53
.138"		-	3.5	46033-16	.287"		-	7.3	46033-54
.142"	9/64	28	3.6	46033-17	.291"		L	7.4	46033-55
.146"		26	3.7	46033-18	.295"		M	7.5	46033-56
.150"		25	3.8	46033-19	.299"	19/64	-	7.6	46033-57
.154"		23	3.9	46033-20	.303"		N	7.7	46033-58
.157"	5/32	22	4.0	46033-21	.307"		-	7.8	46033-59
.161"		20	4.1	46033-22	.311"	5/16	-	7.9	46033-60
.165"		19	4.2	46033-23	.315"		O	8.0	46033-61
.169"		18	4.3	46033-24	.319"		-	8.1	46033-62
.173"	11/64	17	4.4	46033-25	.323"		P	8.2	46033-63
.177"		16	4.5	46033-26	.327"	21/64	-	8.3	46033-64
.181"		14	4.6	46033-27	.331"		Q	8.4	46033-65
.185"		13	4.7	46033-28	.335"		-	8.5	46033-66
.189"	3/16	12	4.8	46033-29	.339"		R	8.6	46033-67
.193"		10	4.9	46033-30	.342"	11/32	-	8.7	46033-68
.197"		9	5.0	46033-31	.346"		-	8.8	46033-69
.201"		7	5.1	46033-32	.350"		S	8.9	46033-70
.205"	13/64	5	5.2	46033-33	.354"		-	9.0	46033-71
.209"		4	5.3	46033-34	.358"	23/64	T	9.1	46033-72
.213"		3	5.4	46033-35	.362"		-	9.2	46033-73
.216"		-	5.5	46033-36	.366"		-	9.3	46033-74
.220"	7/32	2	5.6	46033-37	.370"		U	9.4	46033-75
.224"		-	5.7	46033-38	.375"	3/8	-	9.5	46033-76

Series 48175 Specifications  
 Length: 3 5/16 (84 mm)  
 Taper: No. 33 Jacobs  
 Outside Diameter: 1 3/4 (44 mm)  
 Approx. Tooling Penetration: 1 7/8 (42.6 mm)  
 Subassemblies: 48091 body  
 35264-( ) insert

Collet No.	Size range		Insert
	in.	(mm)	
48175-1	7/32 - 1/4	(5.5-6.4)	35264-1
48175-2	1/4 - 9/32	(6.4-7.1)	35264-2
48175-3	9/32 - 5/16	(7.1-7.9)	35264-3
46175-4	5/16 - 11/32	(7.9-8.7)	35264-4
48175-5	11/32 - 3/8	(8.7-9.5)	35264-5
48175-6	3/8 - 13/32	(9.5-10.3)	35264-6
48175-7	13/32 - 7/16	(10.3-11.1)	35264-7
48175-8	7/16 - 15/32	(11.1-11.9)	35264-8
48175-9	15/32 - 1/2	(11.9-12.7)	35264-9
48175-10	1/2 - 17/32	(12.7-13.5)	35264-10
48175-11	17/32 - 9/16	(13.5-14.3)	35264-11
46175-12	9/16 - 19/32	(14.3-15.1)	35264-12
48175-13	19/32 - 5/8	(15.1-15.9)	35264-13
48175-14	5/8 - 21/32	(15.9-16.6)	35264-14
48175-15	21/32 - 11/16	(16.6-17.4)	35264-15
48175-16	11/16 - 23/32	(17.4-18.2)	35264-16
48175-17	23/32 - 3/4	(18.2-19.0)	35264-17

Wedge Set	
46983	To remove chuck from tapered spindle

Control Accessories	
49785	Switch Kit; Provides output for electric "Tool is Forward" or "Tool is Retracted" signals (AC or DC)
49786	Solenoid Kit; 120 VAC Provides input for remote "Start" or "Emergency Retract" signals
49787	Solenoid Kit; 24 VDC Provides input for remote "Start" or "Emergency Retract" signals
59764-4	Connector (10 pcs./box) Used to connect input & output ports to air signal tubing. Shown on page 37.

Twin Tap Collets						
Tap Size	#0-#6	#8	#10	#12	1/4	5/16
Collet No.	46033-17	46033-24	46033-31	46033-37	46033-46	46033-62

Tap Adapters for Quick Change Tapping Head				
Part No.	Adapter	Tap size	Drive	
49766-1	Adapter	#0-#6	Tap size	Positive Drive
49766-2	Adapter	#8	Tap size	Positive Drive
49766-3	Adapter	#10	Tap size	Positive Drive
49766-4	Adapter	1/4	Tap size	Positive Drive
49766-5	Adapter	#0-#6	Tap size	Torque Control
49766-6	Adapter	#8	Tap size	Torque Control
49766-7	Adapter	#10	Tap size	Torque Control
49766-8	Adapter	1/4	Tap size	Torque Control

Feed Rate Controls	
Part No.	
38922	1" Stroke Hydraulic Check
38922-1	2" Stroke Hydraulic Check
38922-2	3" Stroke Hydraulic Check



**Pneumatic Self-Feed Drills**

ARO Bant-A-Matic, Par-A-Matic, and Super Par-A-Matic Drills provide the selection, performance, and degree of precision to automate a wide range of secondary machining applications simply and economically. They utilize compressed air for both the spindle rotation and feed / control functions. The reliable rotary-vane air motor offers high power-to-size performance which minimizes tool size and weight for added machine design flexibility. The tools are easily installed, requiring only simple pneumatic circuitry. They can be used individually or in conjunction with other ARO electric and pneumatic tools.

Additional features / benefits include—

- Built-in four-way valve enables both manual and remote operation.
- Double-acting air piston provides smooth, controlled forward and retract strokes.
- Needle valve controls allows adjustment of forward and retract strokes.
- Adjustment screw provides infinite stroke length settings.
- Ball bearing spindle support offers precision and long service life.
- Muffled exhaust for a quieter work environment.

**BANT-A-MATIC® SERIES**

3/16" (4.8 mm) Capacity, Steel • .25 HP (.20 kW)



MODEL 8245-B45-2

**PAR-A-MATIC® SERIES**

5/16" (7.9 mm) Capacity, Steel • .50 HP (.37 kW)



MODEL 8255-A14-2

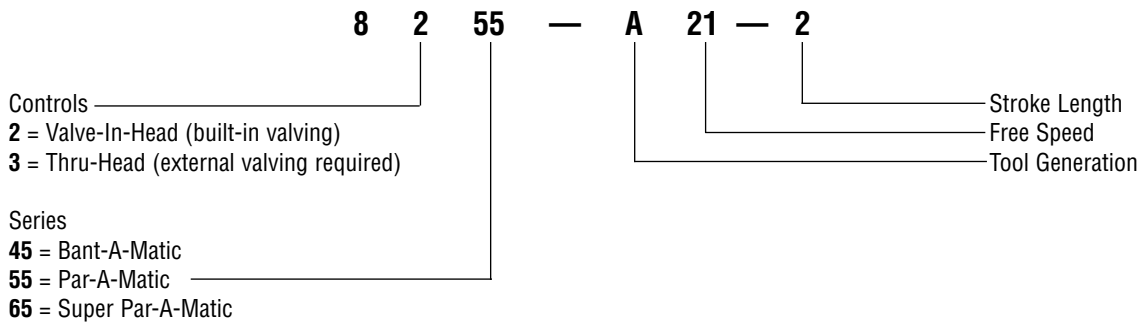
**SUPER PAR-A-MATIC® SERIES**

1/2" (12.7 mm) Capacity, Steel • .75 HP (.56 kW)



MODEL 8265-25-3

**MODEL IDENTIFICATION**



**Pneumatic Self-Feed Drills**



**SPECIFICATIONS**

MODELS & STROKE LENGTHS			FREE SPEED rpm	*NOMINAL DRILLING CAPACITIES	THRUST @90 PSI lb. (N)	AIR CONSP† @Working Speed ft <sup>3</sup> /cycle (L/cycle)	SOUND LEVEL dB(A)	STD. CHUCK CAPACITY in. (mm)	GEAR REDUCTION			
1-1/4" (32 mm)	2.0" (51 mm)	3.0" (76 mm)		Stnls. Steel Type 304 SAE 1213	Steel 2024-T4	Aluminum Wood, Med. or FRP						
<b>BANT-A-MATIC SERIES</b>												
*8245-203-1	8245-203-2	8245-203-3	19,000	—	1/64(0.4)	1/32 (0.8)	1/16 (1.6)		Single			
8245-101-1	8245-101-2	8245-101-3	10,000	1/64 (0.4)	1/32 (0.8)	1/16 (1.6)	1/8 (3.2)		Double			
8245-B45-1	8245-B45-2	8245-B45-3	4,400	1/32 (0.8)	1/16 (1.6)	1/8 (3.2)	5/32 (4.0)	90 (400)	1.5 (42)	77	1/4 (6.4)	Single
8245-B30-1	8245-B30-2	8245-B30-3	2,700	1/16 (1.6)	1/8 (3.2)	3/16 (4.8)	3/16 (4.8)		Single			
8245-B8-1	8245-B8-2	8245-B8-3	900	3/32 (2.4)	3/16 (4.8)	1/4 (6.4)	5/16 (7.9)		Double			
<b>PAR-A-MATIC SERIES</b>												
*8255-172-1	8255-172-2	8255-172-3	17,000	—	1/64 (0.4)	1/32 (0.8)	1/16 (1.6)		Single			
8255-101-1	8255-101-2	8255-101-3	10,000	—	1/32 (0.8)	1/16 (1.6)	5/32 (4.0)		Double			
8255-A50-1	8255-A50-2	8255-A50-3	5,000	—	5/64 (2.0)	3/16 (4.8)	3/16 (4.8)		Single			
8255-A28-1	8255-A28-2	8255-A28-3	2,800	1/16 (1.6)	9/64 (3.6)	1/4 (6.4)	1/4 (6.4)		Single			
8255-A21-1	8255-A21-2	8255-A21-3	2,100	7/64 (2.8)	7/32 (5.6)	9/32 (7.1)	5/16 (7.9)	170 (756)	2.3 (65)	74	5/16 (7.9)	Single
8255-A14-1	8255-A14-2	8255-A14-3	1,450	5/32 (4.0)	1/4 (6.4)	5/16 (7.9)	3/8 (9.5)		Double			
8255-A8-1	8255-A8-2	8255-A8-3	850	11/64 (4.4)	9/32 (7.1)	21/64 (8.3)	25/64 (9.9)		Double			
8255-A5-1	8255-A5-2	8255-A5-3	500	1/4 (6.4)	5/16 (7.9)	11/32 (8.7)	13/32 (10.3)		Double			
<b>SUPER PAR-A-MATIC SERIES</b>												
1-1/2" (38 mm)	3.0" (76 mm)											
*8265-171-1	8265-171-3		17,000	—	1/64 (0.4)	3/32 (2.4)	3/32 (2.4)		Single			
8265-101-1	8265-101-3		10,000	—	3/64 (1.2)	5/32 (4.0)	5/32 (4.0)		Double			
8265-46-1	8265-46-3		4,600	—	1/8 (3.2)	1/4 (6.4)	5/16 (7.9)		Single			
8265-25-1	8265-25-3		2,500	3/32 (2.4)	3/16 (4.8)	5/16 (7.9)	7/16 (11.1)	250 (1112)	2.9 (82)	77	1/2 (12.7)	Single
8265-12-1	8265-12-3		1,200	5/32 (4.0)	5/16 (7.9)	3/8 (9.5)	9/16 (14.3)		Double			
8265-6-1	8265-6-3		650	17/64 (6.7)	7/16 (11.1)	9/16 (14.3)	5/8 (15.9)		Double			
8265-3-1	8265-3-3		350	5/16 (7.9)	1/2 (12.7)	5/8 (15.9)	11/16 (17.5)		Double			

\*NOTE: 17,000 & 19,000 RPM units have collet in Spindle. See Pages 52, 54 & 56.  
 †Consumption in cubic feet during a typical 6 second cycle time. Note: Performance data given at 90 PSI (6.2 bar) operating pressure.

TOOL SERIES	AIR INLET	CONTROL PORTS	SPINDLE THREAD	RECOMMENDED HOSE SIZE	RECOMMENDED OPERATING PRESSURE
Bant-A-Matic	1/8" NPT male	1/8" NPTF female	1/2"-20 male	1/4" ID	90 PSI (6.2 bar)
Par-A-Matic	1/4" NPT male	1/8" NPTF female	1/2"-20 male	5/16" ID	90 PSI (6.2 bar)
Super Par-A-Matic	1/4" NPT male	1/8" NPTF female	1/2"-20 male	3/8" ID	90 PSI (6.2 bar)

To order a "thru-head" tool (requires an external four-way valve for controls), change the "2" in the base model number to "3" (Bant-A-Matic and Par-A-Matic Series tools only). EXAMPLE: 8355-A21-2. Thru-head tools available in Super Par-A-Matic series only as a custom order tool. 47884 Pneumatic Interface Kit contains 2 each of 6045 elbow and 9600 bleeder valve.

**STANDARD EQUIPMENT**

**Bant-A-Matic Series**

- 33906 1/4" (6.4 mm) Cap. Chuck\*
- 47884 Pneumatic Controls Interface Kit\*
- 203 UNITS have collet built-in spindle instead of chuck. See page 63 for selection of collet

**Par-A-Matic Series**

- 33907 3/8" (9.5 mm) Cap. Chuck\*
- 47884 Pneumatic Controls Interface Kit\*
- 172 UNITS have collet built-in spindle instead of chuck. See page 63 for selection of collet

**Super Par-A-Matic Series**

- 30018 1/2" (12.7 mm) Cap. Chuck\*
- 47884 Pneumatic Controls Interface Kits\*
- 171 UNITS have collet built-in spindle instead of chuck. See page 63 for selection of collet

**ACCESSORIES AT EXTRA COST**

**Bant-A-Matic Series**

- 40301-( ) Hydraulic Checks
- 39486 Flange Bracket
- 39485-1 Foot Bracket
- 45053 H.D. Foot Bracket
- 36042 Split-Block Clamp
- Nose Housings
- Drill Bushing Adapters
- Control Kits
- Service Kits

**Par-A-Matic Series**

- 40591-( ) Hydraulic Checks
- 38877 Flange Bracket
- 38875-1 Foot Bracket
- 45055 H.D. Foot Bracket
- 35283 Split-Block Clamp
- Nose Housings
- Drill Bushing Adapters
- Control Kits
- Service Kits

**Super Par-A-Matic Series**

- 40591-( ) Hydraulic Checks
- 40589 Flange Bracket
- 40588-1 Foot Bracket
- 45056 H.D. Foot Bracket
- 41454 Collet-Type Foot Bracket
- Nose Housings
- Nose Housing Adapters
- Drill Bushing Adapters
- Control Kits
- Service Kits



## Pneumatic Self-Feed Twin Drills

ARO Twin Drills perform two machining operations per cycle for holes with center distances from 3/8" to 3 3/4". They're ideal for many close-center machining problems. But even more important, ARO Twin Drills significantly reduce machining time and parts handling while improving quality.

Three series of standard tools are available, equipped with adjustable dual spindle heads. Like the other ARO Automatic Production Tools, each Twin Drill is a completely self-contained unit with built-in cycle, feed rate, and motor controls. They can be operated individually or in conjunction with other tools and machine components.

Additional features / benefits include—

- Adjustable spindles allow reapplication as machining requirements change.
- Comprehensive range of American and metric collets available to meet a wide variety of hole specifications.
- Double-acting air piston provides smooth, controlled forward and retract strokes.
- Needle valve controls allow adjustment of forward and retract strokes.
- Adjustment screw provides infinite stroke length settings up to 3.0" maximum.
- Muffled exhaust for a quieter work environment.

### BANT-A-MATIC® SERIES

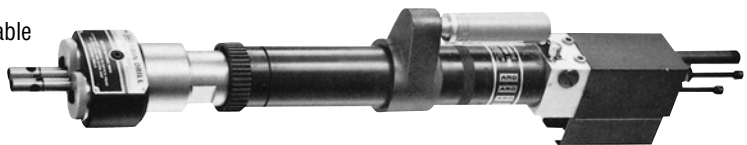
1/8" (3.2 mm) Capacity, Steel • .25 HP (.19 kW)



MODEL 8248-B30-2

### PAR-A-MATIC® SERIES

1/4" (6.4 mm) Capacity, Steel • .50 HP (.37 kW)



MODEL 8258-C21-2

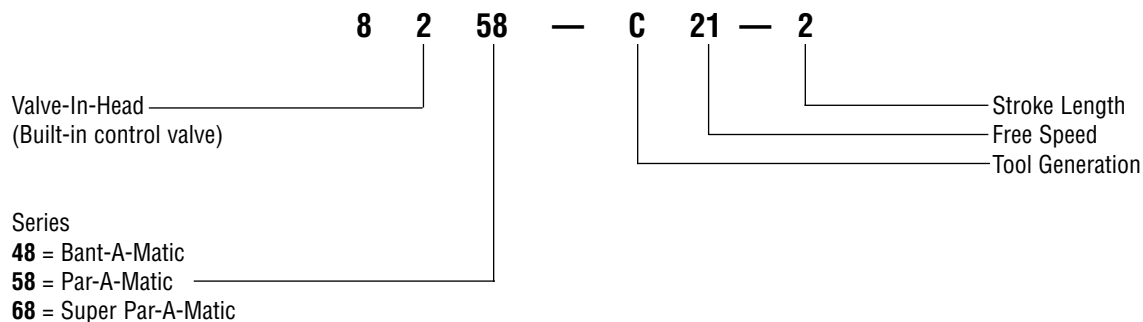
### SUPER PAR-A-MATIC® SERIES

3/8" (9.5 mm) Capacity, Steel • .75 HP (.56 kW)



MODEL 8268-A25-3

### MODEL IDENTIFICATION



## Pneumatic Self-Feed Twin Drills



### SPECIFICATIONS

MODELS & STROKE LENGTHS	FREE SPEED rpm	*NOMINAL DRILLING CAPACITIES				THRUST @90 PSI lb. (N)	AIR CONSP.‡ @Working Speed ft <sup>3</sup> /cycle (L/cycle)	SOUND LEVEL dB(A)	STD. CHUCK CAPACITY in. (mm)	GEAR REDUCTION
		*Stnls. Steel Type 304	Steel SAE 1213	Aluminum 2024-T4	Wood, Med. or FRP					
<b>BANT-A-MATIC SERIES</b>										
1-1/4" (32 mm) 2.0" (51 mm) 3.0" (76 mm)										
8248-B45-1 8248-B45-2 8248-B45-3	4,400	1/32 (.78)	1/16 (1.6)	3/32 (2.4)	3/32 (2.4)					Single
8248-B30-1 8248-B30-2 8248-B30-3	2,700	1/16 (1.6)	3/32 (2.4)	1/8 (3.2)	1/8 (3.2)	90 (400)	1.5 (42)	77	5/32 (4.0)	Single
8248-B8-1 8248-B8-2 8248-B8-3	900	1/8 (3.2)	1/8 (3.2)	3/16 (4.8)	3/16 (4.8)					Double
<b>PAR-A-MATIC SERIES</b>										
1-1/4" (32 mm) 2.0" (51 mm) 3.0" (76 mm)										
8258-C50-1 8258-C50-2 8258-C50-3	5,000		1/16 (1.6)	1/8 (3.2)	1/8 (3.2)					Single
8258-C28-1 8258-C28-2 8258-C28-3	2,800	3/64 (1.2)	1/8 (3.2)	3/16 (4.5)	3/16 (4.5)					Single
8258-C21-1 8258-C21-2 8258-C21-3	2,100	5/64 (1.9)	5/32 (4.0)	7/32 (5.6)	7/32 (5.6)	170 (756)	2.3 (65)	74	1/4 (6.4)	Single
8258-C14-1 8258-C14-2 8258-C14-3	1,450	7/64 (2.7)	3/16 (4.5)	1/4 (6.4)	1/4 (6.4)					Double
8258-C8-1 8258-C8-2 8258-C8-3	850	11/64 (4.3)	1/4 (6.4)	9/32 (7.1)	9/32 (7.1)					Double
8258-C5-1 8258-C5-2 8258-C5-3	500	1/4 (6.4)	1/4 (6.4)	5/16 (7.9)	5/16 (7.9)					Double
<b>SUPER PAR-A-MATIC SERIES</b>										
1-1/2" (38 mm) 3.0" (76 mm)										
8268-A46-1 8268-A46-3	4,600			1/4 (6.4)	3/16 (4.8)					Single
8268-A25-1 8268-A25-3	2,500	1/16 (1.6)	1/4 (6.4)	5/16 (7.9)	5/16 (7.9)					Single
8268-A12-1 8268-A12-3	1,200	1/8 (3.2)	5/16 (7.9)	11/32 (8.7)	3/8 (9.5)	250 (1112)	2.9 (82)	77	3/8 (9.5)	Double
8268-A6-1 8268-A6-3	650	13/64 (5.2)	11/32 (8.7)	3/8 (9.5)	7/16 (11.1)					Double
8268-A3-1 8268-A3-3	350	5/16 (7.9)	3/8 (9.5)	13/32 (10.3)	15/32 (11.9)					Double

\*Speed Sensitive Material ‡Consumption in cubic feet during a typical 6 second cycle time. Note: Performance data given at 90 PSI (6.2 bar) operating pressure.

TOOL SERIES	SPINDLE ADJUSTMENT	AIR INLET	CONTROL PORTS	RECOMMENDED HOSE SIZE	RECOMMENDED OPERATING PRESSURE
Bant-A-Matic	3/8" to 2 1/8" centers (9.5 to 54 mm)	1/8" NPT male	1/8" NPTF female	1/4" ID	90 PSI (6.2 bar)
Par-A-Matic	1/2" to 2 1/2" centers (12.7 to 63.5 mm)	1/4" NPT male	1/8" NPTF female	5/16" ID	90 PSI (6.2 bar)
Super Par-A-Matic	3/4" to 3 3/4" centers (19 to 95 mm)	1/4" NPT male	1/8" NPTF female	3/8" ID	90 PSI (6.2 bar)

#### STANDARD EQUIPMENT

##### Bant-A-Matic Series

- 46394 Twin Drill Head
- 47884 Pneumatic Controls Interface Kit\*
- Necessary Wrenches

\*Contains (2) 6045 90° street elbows and (2) 9600 pilot bleeder valves.

##### Par-A-Matic Series

- 46023 Twin Drill Head
- 47884 Pneumatic Controls Interface Kit\*
- Necessary Wrenches

##### Super Par-A-Matic Series

- 46063 Twin Drill Head
- 47884 Pneumatic Controls Interface Kit\*
- Necessary Wrenches

NOTE: Collets for Twin Drills must be ordered separately at extra cost. See page 28.

#### ACCESSORIES AT EXTRA COST

##### Bant-A-Matic Series

- 47368-( ) Collets
- 40301-( ) Hydraulic Checks
- 39486 Flange Bracket
- 39485-1 Foot Bracket
- 45053 H.D. Foot Bracket
- 36042 Split-Block Clamp
- Control Kits
- Service Kits

##### Par-A-Matic Series

- 45998-( ) Collets
- 40591-( ) Hydraulic Checks
- 38877 Flange Bracket
- 38875-1 Foot Bracket
- 45055 H.D. Foot Bracket
- 35283 Split-Block Clamp
- Control Kits
- Service Kits

##### Super Par-A-Matic Series

- 46033-( ) Collets
- 40591-( ) Hydraulic Checks
- 40589 Flange Bracket
- 40588-1 Foot Bracket
- 45056 H.D. Foot Bracket
- 41454 Collet-Type Foot Bracket
- Control Kits
- Service Kits





## Pneumatic Self-Feed Offset Drills

ARO Automatic Offset Drills are offered to accommodate unusual part or fixture configurations. They also may be grouped in a fixture to produce holes with a center-line distance as low as 1.5".

Offset drills are easily installed, requiring only simple pneumatic circuitry. They may also be used in conjunction with other pneumatic or electric ARO Automatic Production Tools.

Additional features / benefits include—

- Built-in four-way valve for both manual and remote operation.
- Double-acting air piston provides smooth, controlled forward and retract strokes.
- Infinite stroke length adjustment up to 2.0" maximum.
- Feed rate adjustment screws for the forward and retract strokes provide optimum hole quality and cycle time.
- Muffled exhaust for a more comfortable work environment.
- Selection of mounting brackets to meet installation requirements.

### PAR-A-MATIC® SERIES

3/16" (4.8 mm) Capacity, Steel • 50 HP (.37 kW)



MODEL 8266-A17-2

## SPECIFICATIONS

MODELS	FREE SPEED rpm	NOMINAL DRILLING CAPACITIES				THRUST @90 PSI lb. (N)	AIR CONSP.‡ @Working Speed ft <sup>3</sup> /cycle (L/cycle)	SOUND LEVEL dB(A)	STD.CHUCK CAPACITY in. (mm)	GEAR REDUCTION
		Stnls. Steel Type 304	Steel SAE 1213	Aluminum 2024-T4	Wood, Med. or FRP					
8266-A23-2	2,300	N/A	1/16 (1.6)	1/8 (3.2)	3/16 (4.8)					Double
8266-A17-2	1,750	N/A	3/32 (2.4)	5/32 (4.0)	7/32 (5.6)	170 (756)	2.3 (65)	74	3/8 (9.5)	Double
8266-A12-2	1,200	N/A	5/32 (4.0)	3/16 (4.8)	1/4 (6.4)					Double
8266-A7-2	700	N/A	3/16 (4.8)	7/32 (5.6)	9/32 (7.2)					Double

‡Consumption in cubic feet during a typical 6 second cycle time. Note: Performance data given at 90 PSI (6.2 bar) air pressure.

AIR INLET	CONTROL PORTS	SPINDLE THREAD	RECOMMENDED HOSE SIZE	RECOMMENDED OPERATING PRESSURE
1/4" NPT male	1/8" NPTF female	3/8"-24 male	5/16" ID	90 PSI (6.2 bar)

#### STANDARD EQUIPMENT

- 47341 3/8" (9.5 mm) Cap. Chuck
- 47884 Pneumatic Controls Interface Kit—contains (2) 6045 90° street elbows and (2) 9600 pilot bleeder valves

#### ACCESSORIES AT EXTRA COST

- 40591-( ) Hydraulic Checks
- 38877 Flange Bracket
- 38875-1 Foot Bracket
- 45055 H.D. Foot Bracket
- 35283 Split-Block Clamp
- Control Kits
- Service Kits

**Pneumatic Peck-Feed Drills**



ARO Peck-Feed Drills are designed specifically for applications where the hole depth exceeds four times the diameter of the drill bit. They offer the advantages of deep-hole chip clearance with close diameter and axial controls.

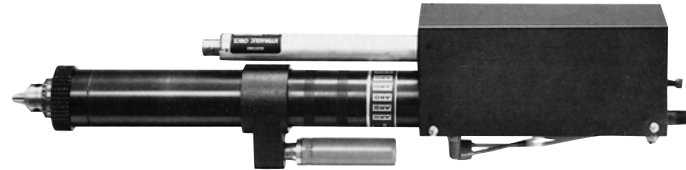
The ARO Peck-Feed Drill is a complete, self-contained unit. The pecking operation is controlled by a pre-set, timed sequence. Upon receiving a start signal, the tool automatically advances, drills to a selected peck depth and retracts, continuing the cycle until the total hole depth is reached. This sequential pecking action clears the hole and drill flutes of chips that produce frictional heat, drag, and drill skew. It also greatly increases the life of small drills (3/32 thru No. 80) that are sensitive to excessive thrust and radial loading.

Additional features / benefits include—

- Manual and remote operation.
- Muffled exhaust for a more comfortable work environment.
- Selection of mounting brackets to meet installation requirements.

**PAR-A-MATIC® SERIES**

5/16" (7.9 mm) Capacity, Steel • .50 HP (.37 kW)



MODEL 8360-A28-3



**SPECIFICATIONS**

MODELS	FEED SPEED rpm	THRUST @90 PSI lb. (N)	FREE RATE in./m (mm/m)	STROKE LENGTH in. (mm)	PECK RANGE in. (mm)	RAPID ADVANCE RANGE in. (mm)	AIR CONSP‡ @WORKING SPEED ft³/cycle (L/cycle)	SOUND LEVEL dB(A)	STD. CHUCK CAPACITY in. (mm)	GEAR REDUCTION
*8360-172-3	17,000									Single
8360-A50-3	5,000									Single
8360-A28-3	2,800		0 min to 40 max.	29/32 to 2 1/4	5/16 min to 1-21/32 max					Single
8360-A21-3	2,100	170 (756)	(0 to 1016)	2.75 (6.99)	(23 to 57)	(7.9 to 42)	2.3 (65)	74	3/8 (9.5)	Single
8360-A14-3	1,450									Double
8360-A8-3	850									Double
8360-A5-3	500									Double

\*NOTE: 17,000 RPM unit has collet in spindle. See page 59.

‡Consumption in cubic feet for a full minute of operation. Note: Performance data given at 90 PSI (6.2 bar) air pressure.

Tool	AIR INLET Peck Box	CONTROL PORTS Peck Box	SPINDLE THREAD	RECOMMENDED HOSE SIZE	RECOMMENDED OPERATING PRESSURE
1/4" NPT male	5/32" Tubing	5/32" Tube Connection	1/2"-20 male	5/16" ID	90 PSI (6.2 bar)

**STANDARD EQUIPMENT**

- 33907 3/8" (9.5 mm) Cap. Chuck
- Peck-Feed Control

**ACCESSORIES AT EXTRA COST**

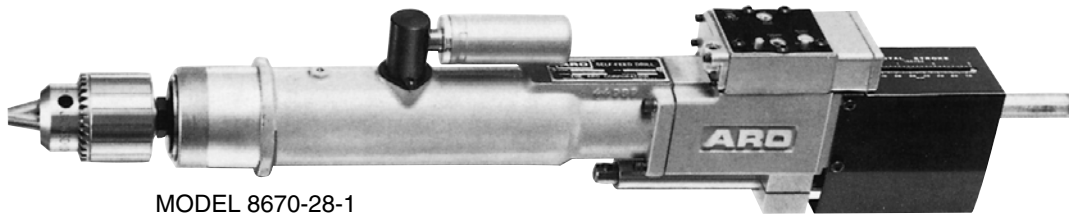
- 38877 Flange Bracket
- 38875-1 Foot Bracket
- 45055 H.D. Foot Bracket
- 35283 Split-Block Clamp
- Nose Housing
- Drill Bushing Adapter
- Service Kits



**Pneumatic Self-Feed Drills**

**HIGH-THRUST 8670 SERIES**

5/8" (15.9 mm) Capacity, Steel • 1.25 HP (.93 kW)



MODEL 8670-28-1

ARO Hi-Thrust Automatic Feed Drills are designed for increased material removal rates of standard alloys and non-ferrous materials. Their high power and thrust also enable the machining of even the most demanding materials, including titanium and high-nickel alloys.

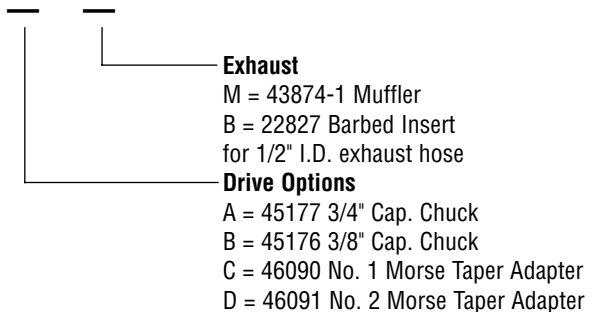
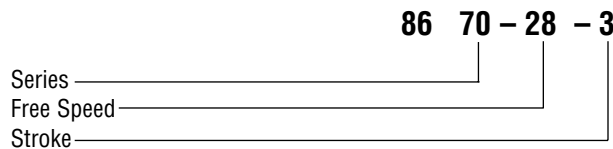
ARO Hi-Thrust Drills feature a dual piston which develops the increased thrust for fast penetration and reduced cycle times. The tools are fully automatic, with all cycle and motor functions regulated by a single control module. They are easily installed, requiring only simple pneumatic circuitry. Hi-Thrust Drills can also be used in conjunction with other pneumatic and electric ARO Automatic Production Tools.

Additional features / benefits include—

- Adjustable hydraulic check provides positive feed rate control for fine adjustment of chip size or breakthrough control.

- “Dead stop” and “dwell” control offer repeatable depth accuracy within .001”.
- Heavy-duty cast iron housing for rigid mounting.
- Constant tool length, regardless of spindle speed, allows speed change without repositioning the tool.
- Both coarse and fine stroke length adjustments enables quick, accurate setups.
- Control module is a complete, replaceable unit and can be easily removed without tool disassembly.
- Modular motor and gearing units enable fast, easy speed changes and servicing.
- Single exterior lubrication point for entire gear train simplifies preventative maintenance.
- Muffled exhaust for a more comfortable work environment.
- Exhaust may be piped away.

**MODEL IDENTIFICATION**



**Pneumatic Self-Feed Drills**



**8670 SPECIFICATIONS**

MODEL	FREE SPEED rpm	NOMINAL DRILLING CAPACITIES				THRUST @90 PSI lb. (N)	AIR CONSP‡ @Working Speed ft <sup>3</sup> /cycle (L/cycle)	SOUND LEVEL dB(A)	STD. CHUCK CAPACITY in. (mm)	STROKE LENGTH in. (mm)
		Stnls. Steel Type 304	Steel SAE 1213	Aluminum 2024-T4	Wood, Med. or FRP					
8670-47-3	4,700	—	3/16 (4.75)	7/16 (11.1)	1/2 (12.7)					
8670-28-3	2,800	3/16 (4.8)	1/4 (6.35)	9/16 (14.3)	5/8 (15.9)					
8670-13-3	1,350	5/16 (7.9)	11/32 (8.73)	5/8 (15.9)	3/4 (19.0)	500 (2224)	5.0 (142)	80	3.0 (76)	
8670-8-3	800	3/8 (9.5)	7/16 (11.11)	3/4 (19.0)	7/8 (22.2)					
8670-4-3	450	1/2 (12.7)	5/8 (15.87)	7/8 (22.2)	1.0 (25.4)					

‡Consumption in cubic feet during a typical 6 second cycle time. Note: Performance data given at 90 PSI (6.2 bar) air pressure.

AIR INLET	CONTROL PORTS	SPINDLE THREAD	RECOMMENDED HOSE SIZE	RECOMMENDED OPERATING PRESSURE	COUPLER/CONNECTION	F/R/L
3/8" NPT male	1/8" NPTF female	5/8"-16 male	5/8" I.D.	90 PSIG (6.2 bar)	1/2"	1/2"

**STANDARD EQUIPMENT (As ordered. See model identification.)**

- 45177 3/4" (19 mm) Cap. Chuck
- 38922-1 2.0" Hydraulic Check
- 45940 Exhaust Manifold
- 43874-1 Muffler or 2632 Barbed Insert
- Necessary wrenches
- 45176 3/8" (9.5 mm) Cap. Chuck
- 46090 No. 1 Morse Taper Adapter
- 46091 No. 2 Morse Taper Adapter

**ACCESSORIES AT EXTRA COST**

- 38922-2 3.0" Hydraulic Check
- 46133-( ) Twin Hydraulic Check Assembly
- 45185 Foot Bracket
- 45188 Nose Housing
- 46093-( ) Collets



## Pneumatic Self-Feed Tappers

These tools are identical to the Bant-A-Matic and Par-A-Matic units described on pages 12 and 13, except that these are fitted with tapping heads. All models are completely self-contained and have an adjustable stroke length of 2.0" maximum.

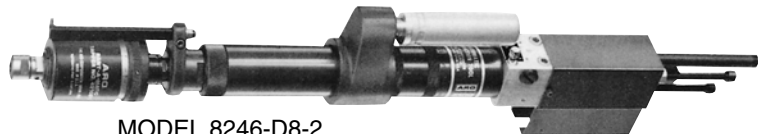
These tools are ideal for low-cost, automated hole tapping in applications where high precision is not required. Also excellent for thread-chasing operations.

*Clutch-type tapping units may be used for both blind and thru-hole applications. Jaw-type units are for use in thru-hole applications only.*

### BANT-A-MATIC® SERIES

#### Clutch-Type Tapping Head

No. 0 to 1/4" (M1.6 to M6) Capacity, Steel  
 .25 HP (.20 kW)

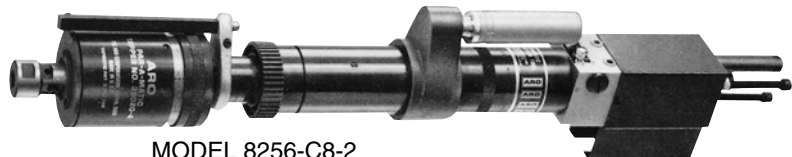


MODEL 8246-D8-2

### PAR-A-MATIC® SERIES

#### Clutch-Type Tapping Head

No. 0 to 1/2" (M1.6 to M12) Capacity, Steel  
 .50 HP (.37 kW)

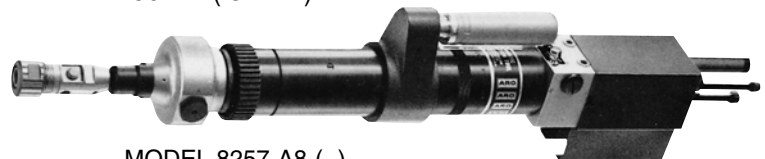


MODEL 8256-C8-2

### PAR-A-MATIC® SERIES

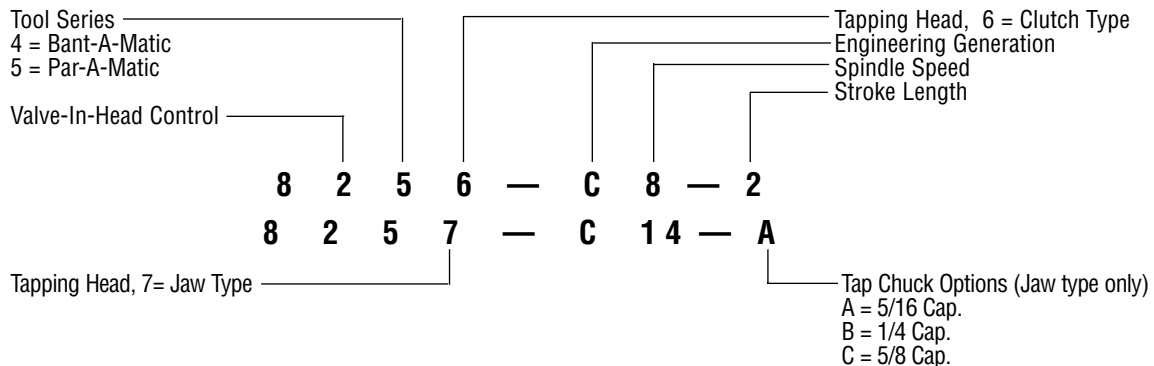
#### Jaw-Type Tapping Head

No. 10 to 5/16" (M4.5 to M8) Capacity, Steel  
 .50 HP (.37 kW)



MODEL 8257-A8-( )

### MODEL IDENTIFICATION



## Pneumatic Self-Feed Tappers



### SPECIFICATIONS

MODELS	STROKE LENGTH in. (mm)	FREE SPEED rpm	NOMINAL TAP CAPACITIES			HAND TAP CAPACITY	AIR CONSP† @ Working Speed		SOUND LEVEL dB(A)	GEAR REDUCTION
			Stnls. Steel Type 304	Mild Steel	Aluminum/ Brass		ft <sup>3</sup> /cycle	(L/cycle)		
<b>BANT-A-MATIC SERIES (Clutch-Type)</b>										
8246-D8-2	2.0 (51)	900		#8 (M6)	1/4 (M6)	No. 0-1/4"	15	(42)	77	Double
8246-D5-2	2.0 (51)	550		1/4 (M6)	1/4 (M6)**	(M1.6-M6)				Double
<b>PAR-A-MATIC SERIES (Clutch-Type)</b>										
8256-C14-2	2.0 (51)	1,450		#10 (M5)	1/4 (M6)					Double
8256-C8-2	2.0 (51)	850		5/16 (M8)	3/8	No. 0- 1/2"				Double
8256-C5-2	2.0 (51)	500		1/2 (M12)	1/2 (M12)	(M1.6-M12)	2.3	(65)	74	Double
<b>PAR-A-MATIC SERIES (Jaw-Type)</b>										
8257-A14-( )	2.0 (51)	1,450		#10 (M5)	1/4 (M6)					Double
8257-A8-( )	2.0 (51)	850		5/16 (M8)	3/8	No. 10-5/16"				Double
8257-A5-( )	2.0 (51)	500		1/2 (M12)	9/16 (M14)	(M4.5-M8)	2.3	(65)	74	Double

† Consumption in cubic feet during a typical 6 second cycle time. \*\*Tapping capacity is limited by the capacity of the tap chuck.  
 NOTE: Performance data given at 90 PSI (6.2 bar) air pressure.

TOOL SERIES	AIR INLET	CONTROL PORTS	SPINDLE THREAD	RECOMMENDED HOSE SIZE	RECOMMENDED OPERATING PRESSURE
Bant-A-Matic	1/8" NPT male	1/8" NPT female	1/2"-20 male	1/4" ID	90 PSI (6.2 bar)
Par-A-Matic	1/4" NPT male	1/8" NPT female	1/2"-20 male	5/16" ID	90 PSI (6.2 bar)

### STANDARD EQUIPMENT

#### Bant-A-Matic Series (Clutch-Type)

- 42123-1 Tapping Head Attachment
- 37431-2 No. 0-No. 10 Cap. Rubber Flex Collet Insert
- 37431-3 No. 10-1/4" Cap. Rubber Flex Collet Insert
- 47884 Pneumatic Controls Interface Kits\*
- Necessary Wrenches

#### Par-A-Matic Series (Clutch-Type)

- 38021-4 Tapping Head Attachment
- 38036 No. 0-1/4" Cap. Rubber Flex Collet Insert
- 38036-1 No. 1/4-1/2" Cap. Rubber Flex Collet Insert
- 47884 Pneumatic Controls Interface Kits\*
- Necessary Wrenches

#### Par-A-Matic Series (Jaw-Type)

- 34000-1 Tapping Head Attachment
- 31432 No. 10-5/16" Cap. Tap Chuck (See Model Identification Chart on page 20)
- 31427 No. 1/4 Cap. Tap Chuck (See Model Identification Chart on page 20)
- 32060 No. 1/4-5/8" Cap. Tap Chuck (See Model Identification Chart on page 20)
- 47884 Pneumatic Controls Interface Kits\*
- Necessary Wrenches

\*Contains (2) 6045 90° street elbows and (2) 9600 pilot bleeder valves.

### ACCESSORIES AT EXTRA COST

#### Bant-A-Matic Series

- 40301-( ) Hydraulic Checks
- 39486 Flange Bracket
- 39485-1 Foot Bracket
- 45053 H.D. Foot Bracket
- 36042 Split-Block Clamp
- Service Kits

#### Par-A-Matic Series

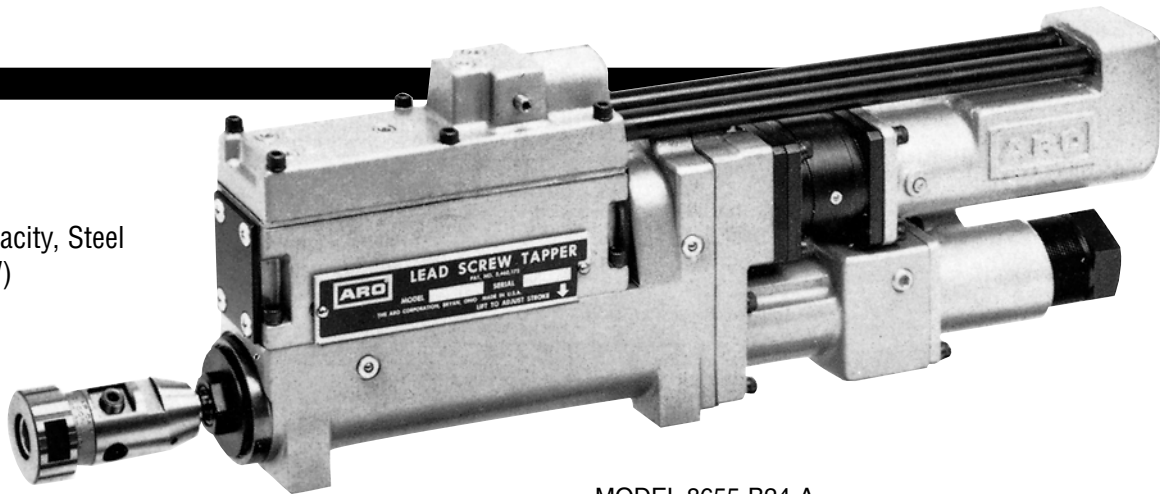
- 40591-( ) Hydraulic Checks
- 38877 Flange Bracket
- 38875-1 Foot Bracket
- 45055 H.D. Foot Bracket
- 35283 Split-Block Clamp
- Service Kits



**Pneumatic Lead Screw Tappers**

**2200 SERIES**

1/2" (M12) Capacity, Steel  
 .62 HP (.47 kW)



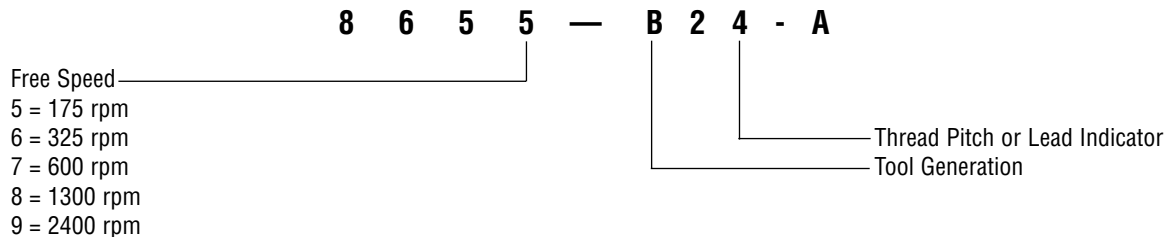
MODEL 8655-B24-A

The ARO Lead Screw Tapper is designed for precision hole tapping in medium and high-production machining applications. The tool is air operated and is fully automatic, with a built-in pressure-operated valve, manual controls and remote control ports for starting and retracting. Installation is easy, with only simple pneumatic circuitry required. It can be used individually or in conjunction with other pneumatic and electric self-feed tools and machine components.

Additional features/benefits include—

- Repeatable tapping depth accuracy of  $\pm .005"$  (.127 mm).
- Stroke length is fully adjustable from 3/16" (4.8 mm) minimum to 2.0" (50.8 mm) maximum for use in a wide range of setups.
- A built-in "no-hole" sensing system prolongs tap life by automatically retracting the spindle when a pilot hole is missing or when excessive misalignment exists.
- Modular tool design enables easy servicing of air motor and gearing, and offers convenient, economical speed and lead screw conversions as job requirements change.
- Compact size requires less machine space for increased design flexibility.
- Fixed-position foot mounting requires no additional mounting hardware while providing added rigidity.
- A wide selection of models is available for both American and metric threads.
- Twin and multi-spindle tapping heads are available for close-center machining requirements.

**MODEL IDENTIFICATION**



**Pneumatic Lead Screw Tappers**



**SPECIFICATIONS**

		NOMINAL TAP CAPACITIES				LEAD SCREW and NUT ASSEMBLY	AIR CONSP.+ @ Working Speed ft <sup>3</sup> /cycle (L/cycle)	STD. CHUCK CAPACITY in. (mm)
Steel	3/8" to 1/2" (M10 to M12)	1/4 to 7/16 (M6 to M10)	No. 8 to 1/4 (M4 to M6)	No. 2 to No. 10 (M2 to M5)	No. 2 to No. 8 (M2 to M4)			
Aluminum	7/16 to 5/8 (M10 to M16)	5/16 to 1/2 (M8 to M12)	1/4 to 5/16 (M6 to M8)	No. 2 to 5/16 (M2 to M8)	No. 2 to No. 10 (M2 to M5)			
		MODELS						
Free Speed	175 rpm	325 rpm	600 rpm	1,300 rpm	2,400 rpm			
11	8655-B11-A	8656-B11-A	8657-B11-A	—	—	45453-11		
12	8655-B12-A	8656-B12-A	8657-B12-A	—	—	45453-12		
13	8655-B13-A	8656-B13-A	8657-B13-A	8658-B13-A	—	45453-13		
14	8655-B14-A	8656-B14-A	8657-B14-A	8658-B14-A	—	45453-14		
16	8655-B16-A	8656-B16-A	8657-B16-A	8658-B16-A	—	45453-16		
18	8655-B18-A	8656-B18-A	8657-B18-A	8658-B18-A	—	45453-18		
AMERICAN	20 8655-B20-A	8656-B20-A	8657-B20-A	8658-B20-A	—	45453-20	3.0	(85)
THREAD	24 8655-B24-A	8656-B24-A	8657-B24-A	8658-B24-A	8659-B24-A	45453-24		No. 0 to 1/2" (M4.5 to M12)
PITCH	27 8655-B27-A	8656-B27-A	8657-B27-A	8658-B27-A	8659-B27-A	45453-27		
(T.P.I.)	28 8655-B28-A	8656-B28-A	8657-B28-A	8658-B28-A	8659-B28-A	45453-28		
	32 8655-B32-A	8656-B32-A	8657-B32-A	8658-B32-A	8659-B32-A	45453-32		
	36 8655-B36-A	8656-B36-A	8657-B36-A	8658-B36-A	8659-B36-A	45453-36		
	40 8655-B40-A	8656-B40-A	8657-B40-A	8658-B40-A	8659-B40-A	45453-40		
	44 8655-B44-A	8656-B44-A	8657-B44-A	8658-B44-A	8659-B44-A	45453-44		
	48 8655-B48-A	8656-B48-A	8657-B48-A	8658-B48-A	8659-B48-A	45453-48		
	56 8655-B56-A	8656-B56-A	8657-B56-A	8658-B56-A	8659-B56-A	45453-56		
	.40							
	.45							
	.50							
METRIC	.60							
THREAD	.70							
LEAD	.75							
(mm)	.80							
	1.00							
	1.25							
	1.50							

**METRIC PITCHES  
AVAILABLE  
CONSULT FACTORY**

Special Tappers available, featuring high duty cycle, twin and multi-spindle heads, and left hand threads. Consult factory.  
 +Consumption in cubic feet during a typical 6 second cycle time. NOTE: Performance data given at 90 PSI (6.2 bar) air pressure.

AIR INLET	CONTROL PORTS	SPINDLE THREAD	RECOMMENDED HOSE SIZE	RECOMMENDED OPERATING PRESSURE
3/8" NPT female	1/8" NPT female	No. 1 Morse Taper female	1/2" ID	90 PSI (6.2 bar)

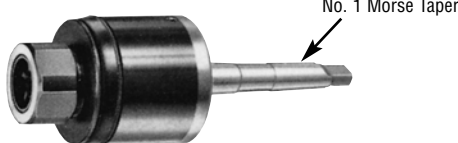
**STANDARD EQUIPMENT**

- 41376 Tap Chuck, No. 0-1/2" (M4.5 - M12) Cap.
- Necessary wrenches

**ACCESSORIES AT EXTRA COST**

- 44889 Floating Tap Chuck, No. 0-5/8" (M1.6 - M16) Cap.
- 44890-( ) Collets for 44889 Chuck

**44889 Floating Tap Chuck**



Provides parallel float up to 0.030" (0.76 mm) to ensure the tap being driven aligns properly with the drilled hole. Order the desired size 44890-( ) Collet separately from the chart at the right.

AMERICAN HAND TAP SIZE	METRIC HAND TAP SIZE	COLLET ID		COLLET NO.
		in.	mm	
No. 0 - No. 6	M1.6 - M6	.141	3.58	44890-1
No. 8	M4	.168	4.27	44890-2
No. 10	M4.5 - M5	.194	4.93	44890-3
No. 12	—	.220	5.59	44890-4
No. 14 & 1/4"	M6	.255	6.48	44890-5
5/16"	M7 - M8	.318	8.08	44890-6
3/8"	—	.381	9.68	44890-7
7/16"	M10	.323	8.20	44890-8
1/2"	M12	.367	9.32	44890-9
9/16"	M14	.429	10.90	44890-10
5/8"	M16	.480	12.19	44890-11
1/8" S.S. Pipe*	—	.313	7.95	44890-12
1/8" L.S. Pipe*	—	.438	11.12	44890-13

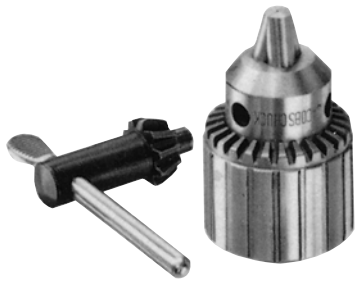
\*S.S. = Small Shank, L.S. = Large Shank





## Spindle Accessories

### DRILL CHUCKS

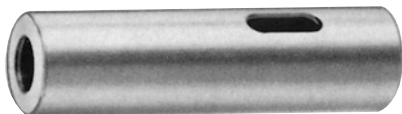


CAPACITY	THREAD SIZE	CHUCK NO.	BODY LENGTH		*CUTTING TOOL PENETRATION	OUTSIDE DIA.	CHUCK KEY NO.
			Jaws Closed	Jaws Open			
0-1/4" (0-6.4 mm)	1/2-20 R.H.	<b>33906</b>	2.190 (55.6)	1.750 (44.5)	11/16 (17.5)	1.320 (33.5)	30209-K
0-3/8" (0-9.5 mm)	3/8-24 R.H.	<b>47341</b>	2.47 (63)	1.930 (49)	13/16 (20.6)	1.420 (36)	30510-K
0-3/8" (0-9.5 mm)	5/8-16 R.H.	<b>45176</b>	3.060 (78)	2.310 (58.7)	61/64 (24)	1.790 (45.5)	30016-K
0-3/8" (0-9.5 mm)	1/2-20 R.H.	<b>33907</b>	2.500 (63.5)	1.906 (48.4)	13/16 (20.6)	1.437 (36)	30510-K
5/64"-1/2" (2-13 mm)	1/2-20 R.H.	<b>30018</b>	3.090 (78.5)	2.420 (61.5)	1-9/64 (29)	1.790 (45.5)	30016-K
3/16"-3/4" (4.8-19 mm)	5/8-16 R.H.	<b>45177</b>	4.120 (104.6)	3.190 (81)	1-17/32 (39)	2.550 (64.8)	45177-K
5/64"-1/2" (2-13 mm)	#33 Jacobs	<b>46977</b>	3.010 (76.4)	2.51 (63.4)	1-9/64 (29)	1.790 (45.5)	30016-K

\* Cutting Tool Penetration in chuck varies with Cutter Shank diameter.

### TAPER SHANK ADAPTERS

Taper Shank Adapters provide secure means of driving larger taper shank drills into harder materials. Sizes are available for all ARO Automatic Production Drills as optional equipment at extra cost.



MORSE TAPER	THREAD SIZE	TAPER SHANK ADAPTER NO.	LENGTH	OUTSIDE DIA.	FOR USE ON
1	1/2-20 female	35211	3.5" (89 mm)	1.0 (25.4)	Bant-A-Matic, Par-A-Matic
2	1/2-20 female	31394	4.0" (101.5 mm)	1.0 (25.4)	Super Par-A-Matic, 8660 Hi-Thrust
1	5/8-16 female	46090	4.0" (101.5 mm)	1.05 (26.7)	8670 Hi-Thrust
2	5/8-16 female	46091	4.5" (114 mm)	1.17 (29.7)	8670 Hi-Thrust
1	#33 Jacobs Taper	46987	4.0" (101.5 mm)	1.05 (26.7)	Series 34A, 54C & 74B
2	#33 Jacobs Taper	46986	4.5" (114 mm)	1.17 (29.7)	Series 34A, 54C & 74B

CAPACITY	MOUNTING STYLE	CHUCK NO.	LENGTH		CUTTING TOOL PENETRATION	OUTSIDE DIA.	RUBBER FLEX INSERT
			Min.	Max.			
No. 0—1/4" (M1.6 - M6)	.3675" Dia. (9.3 mm)	<b>31427</b>	2.340 (59.4)	2.510 (63.8)	1.0—1-11/64 (25.4—29.8)	1.070 (27.2)	31437
No. 10—5/16" (M4.5 - M8)	.3675" Dia. (9.3 mm)	<b>31432</b>	2.310 (58.7)	2.520 (64)	1.0—1-11/64 (25.4—29.8)	1.070 (27.2)	31436
No. 0—1/2" (M4.5 - M12)	#2 Jacobs Taper	<b>41374**</b>	2.880 (73.2)	3.130 (79.5)	1-3/32—1-3/8 (27.8—35)	1.460 (37.1)	<b>J440</b> <b>J443</b>
5/16"—5/8" (M7 - M16)	.3675" Dia. (9.3 mm)	<b>32060</b>	2.860 (72.6)	3.130 (79.5)	1-3/32—1-3/8 (27.8—35)	1.460 (37.1)	32061
5/16"- 5/8" (M7 - M16)	#2 Jacobs Taper	<b>32063</b>	2.860 (72.6)	3.130 (79.5)	1-3/32—1-3/8 (27.8—35)	1.460 (37.1)	32061

\*\*41376 Tap Chuck Assembly includes 41374 Chuck and 41375 Arbor.

### TAP CHUCKS



TAPPING ATTACHMENT	CAPACITY	RUBBER FLEX INSERTS	MOUNTING THREAD	LENGTH	CUTTING TOOL PENETRATION	OUTSIDE DIA.
<b>38021-4*</b>	No. 0—1/4" (M1.6 - M6)	38036	1/2-20	5.781"	1-7/32	2.750
	1/4"—1/2" (M6 - M12)	38036-1	R.H.	(146.8 mm)	(31)	(69.9)
<b>42123-1**</b>	No. 0—1/4" (M1.6 - M6)	37431-2	1/2-20	4.250"	43/64	1.890
		37431-3	R.H.	(108 mm)	(17)	(48)

\*Includes 38020-4 Tapping Head and 38020-4 Torque Arm. \*\*Includes 42106-1 Tapping Head and 37601 Torque Arm. Both attachments also include necessary wrenches.

### TAPPING HEAD ATTACHMENT





## Spindle Accessories

### SERIES 35069-( ) COLLETS

For use on Series 8660, Par-A-Matic and Super Par-A-Matic Drills.



COLLET NO.	SIZE RANGE in. (mm)	INSERT
35069-1	7/32 - 1/4 (5.5 - 6.4)	35263-1
35069-2	1/4 - 9/32 (6.4 - 7.1)	35263-2
35069-3	9/32 - 5/16 (7.1 - 7.9)	35263-3
35069-4	5/16 - 11/32 (7.9 - 8.7)	35263-4
35069-5	11/32 - 3/8 (8.7 - 9.5)	35263-5
35069-6	3/8 - 13/32 (9.5 - 10.3)	35263-6
35069-7	13/32 - 7/16 (10.3 - 11.1)	35263-7
35069-8	7/16 - 15/32 (11.1 - 11.9)	35263-8
35069-9	15/32 - 1/2 (11.9 - 12.7)	35263-9
35069-10	1/2 - 17/32 (12.7 - 13.5)	35263-10
35069-11	17/32 - 9/16 (13.5 - 14.3)	35263-11

**Sub-Assemblies**  
 • 35070 Body  
 • 35263-( ) Insert

**Specifications**  
 • Length: 3-1/4" (82.5 mm)  
 • Thread: 1/2-20 female  
 • Outside Dia.: 1-3/4" (44.5 mm)  
 • Approx. Tooling Penetration: 1-3/4" (44.5 mm)

### SERIES 35074-( ) COLLETS

For use on Series 8660, Par-A-Matic and Super Par-A-Matic Drills.



COLLET NO.	SIZE RANGE in. (mm)	INSERT
35074-1	7/32 - 1/4 (5.5 - 6.4)	35264-1
35074-2	1/4 - 9/32 (6.4 - 7.1)	35264-2
35074-3	9/32 - 5/16 (7.1 - 7.9)	35264-3
35074-4	5/16 - 11/32 (7.9 - 8.7)	35264-4
35074-5	11/32 - 3/8 (8.7 - 9.5)	35264-5
35074-6	3/8 - 13/32 (9.5 - 10.3)	35264-6
35074-7	13/32 - 7/16 (10.3 - 11.1)	35264-7
35074-8	7/16 - 15/32 (11.1 - 11.9)	35264-8
35074-9	15/32 - 1/2 (11.9 - 12.7)	35264-9
35074-10	1/2 - 17/32 (12.7 - 13.5)	35264-10
35074-11	17/32 - 9/16 (13.5 - 14.3)	35264-11
35074-12	9/16 - 19/32 (14.3 - 15.1)	35264-12
35074-13	19/32 - 5/8 (15.1 - 15.9)	35264-13
35074-14	5/8 - 21/32 (15.9 - 16.6)	35264-14
35074-17	23/32 - 3/4 (18.2 - 19.0)	35264-17

**Sub-Assemblies**  
 • 35075 Body  
 • 35264-( ) Insert

**Specifications**  
 • Length: 3-1/4" (82.5 mm)  
 • Thread: 1/2-20 female  
 • Outside Dia.: 2-1/32" (51.6 mm)  
 • Approx. Tooling Penetration: 1-7/8" (47.6 mm)

### SERIES 35079-( ) COLLETS

For use on Bant-A-Matic, Par-A-Matic and Super Par-A-Matic Drills.



COLLET NO.	SIZE RANGE in. (mm)	INSERT
35079-1	3/32 - 1/8 (2.4 - 3.2)	32968-1
35079-2	1/8 - 5/32 (3.2 - 4.0)	32968-2
35079-3	5/32 - 3/16 (4.0 - 4.8)	32968-3
35079-4	3/16 - 7/32 (4.8 - 5.5)	32968-4
35079-5	7/32 - 1/4 (5.5 - 6.4)	32968-5
35079-6	1/4 - 9/32 (6.4 - 7.1)	32968-6
35079-7	9/32 - 5/16 (7.1 - 7.9)	32968-7
35079-8	5/16 - 11/32 (7.9 - 8.7)	32968-8
35079-9	11/32 - 3/8 (8.7 - 9.5)	32968-9

**Sub-Assemblies**  
 • 35080 Body  
 • 32968-( ) Insert

**Specifications**  
 • Length: 2-11/16" (68.3 mm)  
 • Thread: 1/2-20 female  
 • Outside Dia.: 1-7/16" (36.5 mm)  
 • Approx. Tooling Penetration: 1-3/8" (34.9 mm)

### SERIES 39959-( ) COLLETS

For use on Par-A-Matic Offset Drills.



COLLET NO.	SIZE RANGE in. (mm)	INSERT
39959-2	.094 - .177 (2.4 - 4.5)	37431-2
39959-3	.177 - .256 (4.5 - 6.5)	37431-3

**Sub-Assemblies**  
 • 39958 Body & Nut  
 • 37431-( ) Insert

**Specifications**  
 • Length: 1-15/16" (49.2 mm)  
 • Thread: 3/8-24 female  
 • Outside Dia.: 3/4" (19 mm)  
 • Approx. Tooling Penetration: 1-5/16" (33.3 mm)

### SERIES 41758-( ) COLLETS

For use on Series 8660, Par-A-Matic, Super Par-A-Matic and Bant-A-Matic Drills.



COLLET NO.	SIZE RANGE in. (mm)	INSERT
41758-1	1/64 - 3/64 (.40 - 1.2)	31812-1
41758-2	3/64 - 5/64 (1.2 - 2.0)	31812-2
41758-3	5/64 - 3/32 (2.0 - 2.4)	31812-3
41758-4	3/32 - 1/8 (2.4 - 3.2)	31812-4
41758-5	1/8 - 5/32 (3.2 - 4.0)	31812-5
41758-6	5/32 - 3/16 (4.0 - 4.8)	31812-6
41758-7	3/16 - 7/32 (4.8 - 5.5)	31812-7
41758-8	7/32 - 1/4 (5.5 - 6.4)	31812-8

**Sub-Assemblies**  
 • 41756 Body  
 • 32541 Nut  
 • 31812-( ) Insert

**Specifications**  
 • Length: 2-9/16" (65.1 mm)  
 • Thread: 1/2-20 female  
 • Outside Dia.: 3/4" (19 mm)  
 • Approx. Tooling Penetration: 1-5/16" (33.3 mm)

### SERIES 46093-( ) & 48175-( ) COLLETS

Series 8670 Hi-Thrust Drills use 46093-( ). Series 34A, 54C & 74B Electro-Feed Drills use 48175-( ).



Series 46093



Series 48175

COLLET NO.	SIZE RANGE in. (mm)	INSERT
46093-1	7/32 - 1/4 (5.5 - 6.4)	35264-1
46093-2	1/4 - 9/32 (6.4 - 7.1)	35264-2
46093-3	9/32 - 5/16 (7.1 - 7.9)	35264-3
46093-4	5/16 - 11/32 (7.9 - 8.7)	35264-4
46093-5	11/32 - 3/8 (8.7 - 9.5)	35264-5
46093-6	3/8 - 13/32 (9.5 - 10.3)	35264-6
46093-7	13/32 - 7/16 (10.3 - 11.1)	35264-7
46093-8	7/16 - 15/32 (11.1 - 11.9)	35264-8
46093-9	15/32 - 1/2 (11.9 - 12.7)	35264-9
46093-10	1/2 - 17/32 (12.7 - 13.5)	35264-10
46093-11	17/32 - 9/16 (13.5 - 14.3)	35264-11
46093-12	9/16 - 19/32 (14.3 - 15.1)	35264-12
46093-13	19/32 - 5/8 (15.1 - 15.9)	35264-13
46093-14	5/8 - 21/32 (15.9 - 16.6)	35264-14
46093-15	21/32 - 11/16 (16.6 - 17.4)	35264-15
46093-16	11/16 - 23/32 (17.4 - 18.2)	35264-16
46093-17	23/32 - 3/4 (18.2 - 19.0)	35264-17

**Series 46093 Sub-Assemblies**  
 • 46093 Body  
 • 35264-( ) Insert

**Series 46093 Specifications**  
 • Length: 3.0" (76.2 mm)  
 • Thread: 5/8-16 female  
 • Outside Dia.: 1-5/8" (41.3 mm)  
 • Approx. Tooling Penetration: 1-7/8" (47.6 mm)

**Series 48175 Sub-Assemblies**  
 • 48091 Body  
 • 35264-( ) Insert

**Series 48175 Specifications**  
 • Length: 3-5/16" (84 mm)  
 • Taper: No. 33 Jacobs  
 • Outside Dia.: 1-3/4" (44 mm)  
 • Approx. Tooling Penetration: 1-7/8" (47.6 mm)



## Spindle Accessories

### ARO AUTOMATION TOOLS STANDARD TWIN DRILL/TWIN TAP HEADS

For single spindle drills already in operation, ARO Twin Drill Head Attachments can be ordered separately which fit directly to ARO Bant-A-Matic, Par-A-Matic, Super Par-A-Matic, and Series 3 Electro-Feed Drills.

Twin Drill Heads have a 1:1 gear ratio and are rated for 5,000 rpm maximum. Heads come complete with necessary wrenches. Collets must be ordered separately.

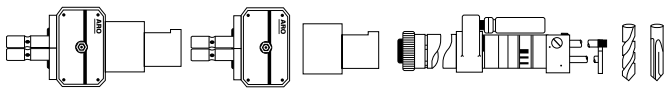
5/32" (4.0 mm) Collet Capacity  
**Model 46394**  
 for Bant-A-Matic Drills



1/4" (6.5 mm) Collet Capacity  
**Model 46023**  
 for Par-A-Matic Drills  
**Model 47489**  
 for Super Par-A-Matic Drills



3/8" (9.5 mm) Collet Capacity  
**Model 46063**  
 for Super Par-A-Matic Drills  
**Model 47276**  
 for Series 34A, 54C & 74B  
 Electro-Feed Drills



Complete Head Ass'y.	Head Only Ass'y.	Adapter Ass'y.	Used On	Used For	Adj. Spindle Center Distances, in.		Series Part No.	Collet Bore, in. Max. Tap		Size
					Min.	Max.		Min.	Max.	
<b>46394</b>	48057-1	48056-1	Bant-A-Matic	<b>Drilling</b>	.375	2.125	<b>47368-(-)</b>	.039	.157	
<b>48060-1</b>	48057-1	48058-1	Bant-A-Matic	<b>Tapping</b>	.375	2.125	<b>47368-(-)</b>			#6
<b>46023</b>	47980	47283	Par-A-Matic	<b>Drilling</b>	.500	2.500	<b>45998-(-)</b>	.039	.256	
<b>48055</b>	47980	47982	Par-A-Matic	<b>Tapping</b>	.500	2.500	<b>45998-(-)</b>			1/4"
<b>46063</b>	47768	47767	S. Par-A-Matic	<b>Drilling</b>	.750	3.750	<b>46033-(-)</b>	.079	.375	
<b>47288</b>	47768	47282	S. Par-A-Matic	<b>Tapping</b>	.750	3.750	<b>46033-(-)</b>			5/16"
<b>47489</b>	47980	47490	S. Par-A-Matic	<b>Drilling</b>	.500	2.500	<b>45998-(-)</b>	.039	.256	
<b>47276</b>	47768	47876	Series 34A, 54C, 74B	<b>Drilling</b>	.750	3.750	<b>46033-(-)</b>	.079	.375	
<b>47908</b>	47768	47907	Series 34A, 54C, 74B	<b>Tapping</b>	.750	3.750	<b>46033-(-)</b>			5/16"
<b>48061-1</b>	48057-1	48059-1	Lead Screw Tapper	<b>Tapping</b>	.375	2.125	<b>47368-(-)</b>			#6
<b>48054</b>	47980	47981	Lead Screw Tapper	<b>Tapping</b>	.500	2.500	<b>45998-(-)</b>			1/4"
<b>47277</b>	47768	47785	Lead Screw Tapper	<b>Tapping</b>	.750	3.750	<b>46033-(-)</b>			5/16"

NOTE: Drill bits should always be operated in drill bushings for proper support and alignment.

**Spindle Accessories**

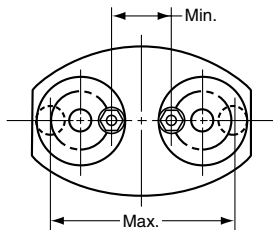


**ARO MULTI-SPINDLE DRILLING/TAPPING HEADS**

In addition to the Twin Spindle drill and tapping heads shown on page 26, there are several other configurations available. Each

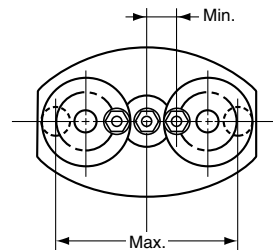
configuration is offered in a head size (type) that matches the size and duty of a particular self-feed tool.

**TWIN SPINDLE  
EXTRA REACH  
ADJUSTABLE**



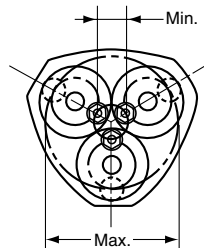
TYPE	MAX.	DRILL	CENTERS		USED WITH	COLLETS USED
			MIN.	MAX.		
400	5/32	(4.0)	.750 (19.0)	2.500 (63.5)	A	47368 - ( )
650	1/4	(6.5)	1.000 (12.7)	3.000 (76.2)	B, F, G.	45998 - ( )
950	3/8	(9.5)	1.500 (38.1)	4.500 (114.3)	C, D, E, F, G.	46033 - ( )

**THREE SPINDLE  
IN LINE  
ADJUSTABLE**



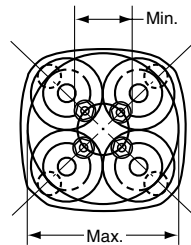
TYPE	MAX.	DRILL	CENTERS		USED WITH	COLLETS USED
			MIN.	MAX.		
400	5/32	(4.0)	.375 (9.5)	1.250 (31.7)	A	47368 - ( )
650	1/4	(6.5)	.500 (12.7)	1.500 (38.1)	B, F, G.	45998 - ( )
950	3/8	(9.5)	.750 (19.0)	2.250 (57.1)	C, D, E, F, G.	46033 - ( )

**THREE SPINDLE  
ADJUSTABLE**



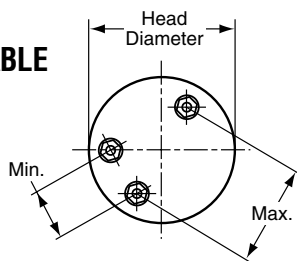
TYPE	MAX.	DRILL	CENTERS		USED WITH	COLLETS USED
			MIN.	MAX.		
400	5/32	(4.0)	.565 (14.3)	2.320 (58.9)	A	47368 - ( )
650	1/4	(6.5)	.735 (18.7)	2.730 (69.3)	B, F, G.	45998 - ( )
950	3/8	(9.5)	1.100 (27.9)	4.100 (104.1)	C, D, E, F, G.	46033 - ( )

**FOUR SPINDLE  
ADJUSTABLE**



TYPE	MAX.	DRILL	CENTERS		USED WITH	COLLETS USED
			MIN.	MAX.		
400	5/32	(4.0)	.890 (22.6)	2.645 (67.2)	A	47368 - ( )
650	1/4	(6.5)	1.125 (28.6)	3.120 (79.2)	B, F, G.	45998 - ( )
950	3/8	(9.5)	1.680 (42.7)	4.680 (118.9)	C, D, E, F, G.	46033 - ( )

**FIXED CENTER  
NON-ADJUSTABLE**



TYPE	MAX.	DRILL	CENTERS		USED WITH	COLLETS USED
			MIN.	MAX.		
400	5/32	(4.0)	.375 (9.5)	2.125 (54.0)	A	47368 - ( )
650	1/4	(6.5)	.500 (12.7)	2.500 (63.5)	B, F, G.	45998 - ( )
950	3/8	(9.5)	.750 (19.0)	3.750 (95.0)	C, D, E, F, G.	46033 - ( )

( )=mm  
 USED WITH: A=Bant-A-Matic B=Par-A-Matic C=Super Par-A-Matic D=8660 E=8670  
 F=FE034A G=FE054C H=FE074A

For assistance with application, dimensions, price and delivery - consult factory.



**Spindle Accessories**



**TWIN DRILL COLLETS**

BORE Dia. <sup>+0.000</sup> / <sub>-.0005</sub>	DRILL SIZES		46394 HEAD (Bant-A-Matic)	46023 HEAD (Par-A-Matic) 47489 Head	46063/47276 HEAD (Super Par-A-Matic) Series 34A, 54C, 74A Electra-Feed	BORE Dia. <sup>+0.000</sup> / <sub>-.0005</sub>	DRILL SIZES		46023 HEAD (Par-A-Matic) 47489 Head	46063/47276 HEAD (Super Par-A-Matic) Series 34A, 54C, 74A Electra-Feed	
	inch	no. mm					inch	no. mm			
.039"	61	1.0	47368-1	45998-1		.209"	4	5.3	45998-44	46033-34	
.043"	57	1.1	47368-2	45998-2		.213"	3	5.4	45998-45	46033-35	
.047"	3/64	56	47368-3	45998-3		.216"	—	5.5	45998-46	46033-36	
.052"		55	47368-4	45998-4		.220"	7/32	2	5.6	45998-47	46033-37
.055"		54	47368-5	45998-5		.224"	—	5.7	45998-48	46033-38	
.059"		53	47368-6	45998-6		.228"	1	5.8	45998-49	46033-39	
.063"	1/16	52	47368-7	45998-7		.232"	—	5.9	45998-50	46033-40	
.067"		51	47368-8	45998-8		.236"	15/64	A	6.0	45998-51	46033-41
.071"		50	47368-9	45998-9		.240"		B	6.1	45998-52	46033-42
.075"		48	47368-10	45998-10		.244"		C	6.2	45998-53	46033-43
.079"	5/64	47	47368-11	45998-11	46033-1	.248"		D	6.3	45998-54	46033-44
.083"		45	47368-12	45998-12	46033-2	.252"	1/4	E	6.4	45998-55	46033-45
.087"		44	47368-13	45998-13	46033-3	.256"		F	6.5	45998-56	46033-46
.091"		43	47368-14	45998-14	46033-4	.260"		G	6.6		46033-47
.094"	3/32	42	47368-15	45998-15	46033-5	.264"	17/64	—	6.7		46033-48
.098"		40	47368-16	45998-16	46033-6	.268"		H	6.8		46033-49
.102"		38	47368-17	45998-17	46033-7	.272"		I	6.9		46033-50
.106"		36	47368-18	45998-18	46033-8	.276"		J	7.0		46033-51
.110"	7/64	35	47368-19	45998-19	46033-9	.280"	9/32	K	7.1		46033-52
.114"		33	47368-20	45998-20	46033-10	.283"	—	—	7.2		46033-53
.118"		32	47368-21	45998-21	46033-11	.287"	—	—	7.3		46033-54
.122"		31	47368-22	45998-22	46033-12	.291"		L	7.4		46033-55
.126"	1/8	—	47368-23	45998-23	46033-13	.295"		M	7.5		46033-56
.130"		30	47368-24	45998-24	46033-14	.299"	19/64	—	7.6		46033-57
.134"		29	47368-25	45998-25	46033-15	.303"		N	7.7		46033-58
.138"		—	47368-26	45998-26	46033-16	.307"		—	7.8		46033-59
.142"	9/64	28	47368-27	45998-27	46033-17	.311"	5/16	—	7.9		46033-60
.146"		26	47368-28	45998-28	46033-18	.315"		O	8.0		46033-61
.150"		25	47368-29	45998-29	46033-19	.319"		—	8.1		46033-62
.154"		23	47368-30	45998-30	46033-20	.323"		P	8.2		46033-63
.157"	5/32	22	47368-31	45998-31	46033-21	.327"	21/64	—	8.3		46033-64
.161"		20	4.1	45998-32	46033-22	.331"		Q	8.4		46033-65
.165"		19	4.2	45998-33	46033-23	.335"		—	8.5		46033-66
.169"		18	4.3	45998-34	46033-24	.339"		R	8.6		46033-67
.173"	11/64	17	4.4	45998-35	46033-25	.342"	11/32	—	8.7		46033-68
.177"		16	4.5	45998-36	46033-26	.346"		—	8.8		46033-69
.181"		14	4.6	45998-37	48033-27	.350"		S	8.9		46033-70
.185"		13	4.7	45998-38	46033-28	.354"		—	9.0		46033-71
.189"	3/16	12	4.8	45998-39	46033-29	.358"	23/64	T	9.1		46033-72
.193"		10	4.9	45998-40	46033-30	.362"		—	9.2		46033-73
.197"		9	5.0	45998-41	46033-31	.366"		—	9.3		46033-74
.201"		7	5.1	45998-42	46033-32	.370"		U	9.4		46033-75
.205"	13/64	5	5.2	45998-43	46033-33	.375"	3/8	—	9.5		46033-76

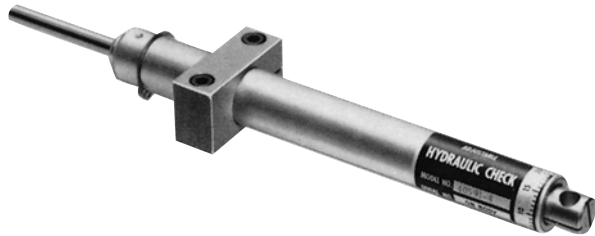
**TWIN TAP COLLETS**

TAPPING HEAD NUMBER	TAP SIZE					
	#0-#6	#8	#10	#12	1/4"	5/16"
48060-1						
48061-1	47368-27	NA	NA	NA	NA	NA
48054						
48055	45998-27	45998-34	45998-41	45998-47	45998-56	NA
47277, 47288, 47908	46033-17	46033-24	46033-31	46033-37	46033-46	46033-62

**Control Accessories**



**HYDRAULIC CHECK UNITS**



For added tool versatility and performance, Hydraulic Check Units can be used to **provide positive feed rate or breakthrough control**. Units are available in 1", 2" and 3" stroke lengths for all electric and pneumatic ARO Automatic Feed Tools. They are easily installed and **never need to be refilled**. Other benefits include —

- allows rapid advance to the workpiece to minimize cycle time
- fully adjustable settings to achieve optimum chip size
- helps prevent drill bit breakage, drill stalling and heavy burrs

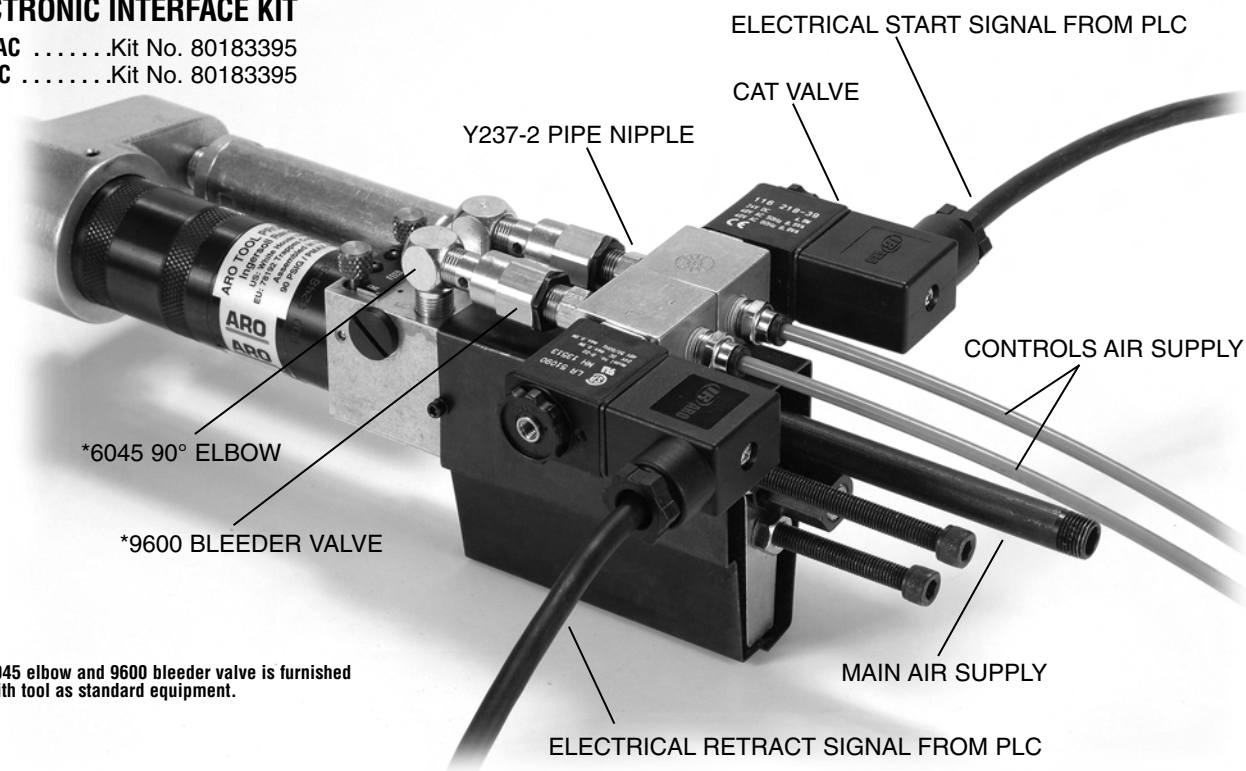
Hydraulic checks are standard equipment on all Hi-Thrust Series Drills, and are available at extra cost for all Bant-A-Matic, Par-A-Matic, Super Par-A-Matic Drills and all Series 34A, 54C and 74B Electra Feed Drills.

TOOL SERIES	1.0" (25 mm) Stroke			2.0" (51 mm) Stroke			3.0" (76 mm) Stroke			CHECK DIAMETER in. (mm)	OVERALL LENGTH		
	Hydraulic Check Ass'y*	Check Only	Hydraulic Check Ass'y*	Check Only	Hydraulic Check Ass'y*	Check Only	Mounting Bracket Only	1.0" Stroke	2.0" Stroke		3.0" Stroke		
Bant-A-Matic	40301-2	38922	40301-3	38922-1	40301-4	38922-2	40298						
Par-A-Matic	40591-3	38922	40591-4	38922-1	40591-5	38922-2	40316						
Super Par-A-Matic	40591-3	38922	40591-4	38922-1	40591-5	38922-2	40316						
Series 34A, 54C, & 74B Electra Feed		38922		38922-1		38922-2		15/16 (24)	7-7/8 (200)	10-7/8 (276)	13-7/8 (352)		
8670 Hi-Thrust	—	38922	—	38922-1	—	38922-2	44910						

\*Hydraulic Check Assemblies come complete with check and mounting bracket.

**ELECTRONIC INTERFACE KIT**

120 VAC .....Kit No. 80183395  
 24 VDC .....Kit No. 80183395



\* 6045 elbow and 9600 bleeder valve is furnished with tool as standard equipment.



**Control Accessories**

**41729 DWELL CONTROL KIT**

The 41729 Dwell Control Kit is a complete, easily installed control accessory for pneumatic and electric ARO Automatic Feed Drills. It provides an adjustable, precisely timed pause, or dwell, at the end of the forward stroke. The range of the dwell interval, prior to retraction, is from .10 to 10 seconds.

Depth control for ARO Automatic Feed Drills is achieved through the use of a positive-stop adjustment screw. The addition of the dwell control is desirable for countersinking and cleanup applications.

The 41729 Dwell Control Kit may be used on any of the drill models listed in the chart.

	TOOL SERIES		
	Bant-A-Matic	Par-A-Matic	Super Par-A-Matic
<b>Models</b>	8245	8255	8265
<b>Models</b>	8248	8258	8268
<b>Models</b>		8266	



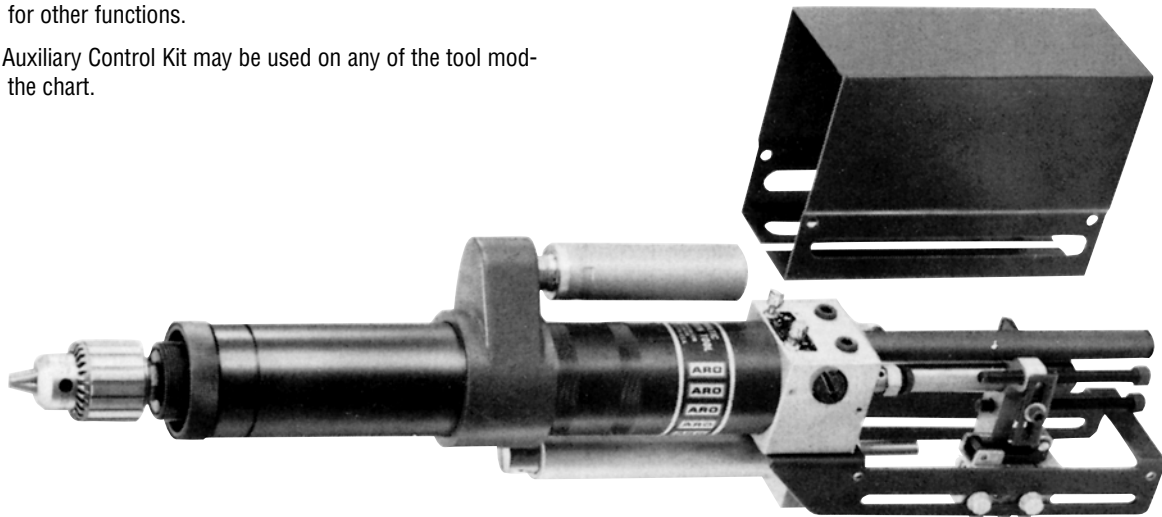
**41730 AUXILIARY CONTROL KIT**

The 41730 Auxiliary Control Kit provides increased flexibility to pneumatic and electric ARO Automatic Feed Tools in designing automated machining systems. It can be used to generate a cycle completion signal, for example, or any other desired auxiliary signal.

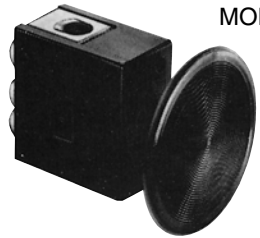
Each kit is furnished with a miniature, three-way limit valve having a short roller lever and instant tube fittings. Additional limit valves can be installed for other functions.

The 41730 Auxiliary Control Kit may be used on any of the tool models listed in the chart.

	TOOL SERIES		
	Bant-A-Matic	Par-A-Matic	Super Par-A-Matic
<b>Models</b>	8245	8255	8265
<b>Models</b>	8246	8256	8268
<b>Models</b>	8248	8257	
<b>Models</b>		8258	
<b>Models</b>		8266	



**Control Accessories**



MODEL 461-X



MODEL 461-X  
w/20975 Guard

**460 SERIES PALM BUTTON CONTROL VALVES**

**APPLICATION INFORMATION**

- Valves are 2-position, 3-way, manually actuated with spring return. Each valve can be plumbed to perform “normally open,” “normally closed,” “selector,” or any 2-way function.
- Use as operator controls to START tools or START cycle, or to EMERGENCY RETRACT tools, etc.
- Available in 1/8" NPT(F) ports and with 5/32" instant tube fittings.
- Equipped with 2 1/2" (63.5 mm) buttons in four colors.
- Design permits panel or side mounting.
- Optional full guard available.

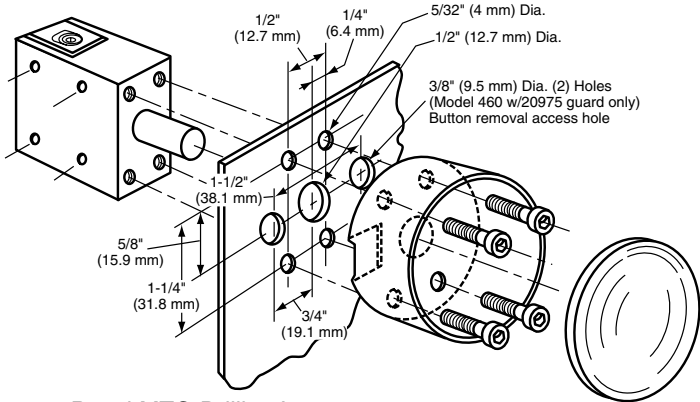
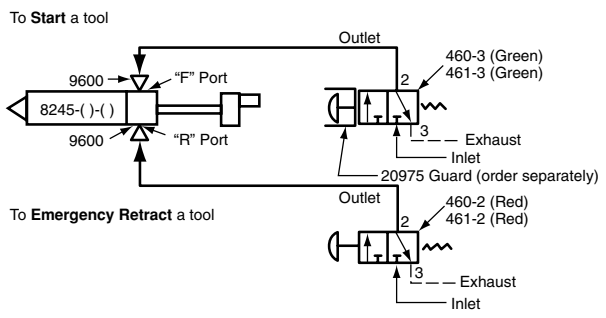
To order, select the model number for port size and button color. Order P/N20975 Guard separately if required.

**SPECIFICATIONS**

VALVE MODELS w/Instant Tube Fittings	VALVE MODELS w/1/8" NPT(F) Ports	BUTTON COLOR
461-1	460-1	Black
461-2	460-2	Red
461-3	460-3	Green
461-4	460-4	Yellow

**OPERATING PRESSURE** .....30 to 150 PSIG (2.1 to 10.4 bar)  
**TEMPERATURE RANGE** .....32° to 160°F (0° to 71°C)  
**FLOW CAPACITY** .....4.0 SCFM (1.9 dm³/s) with instant tube fittings;  
 7.5 SCFM (3.6 dm³/s) with 1/8" NPT(F) ports.  
**ACTUATING FORCE** .....4 lbs. (17.8 N) at 100 PSIG (7 bar) inlet.

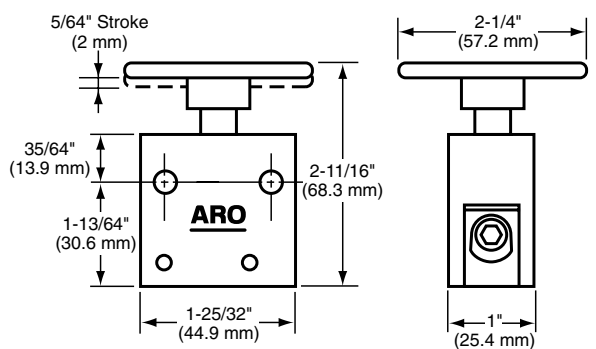
**APPLICATION EXAMPLE**



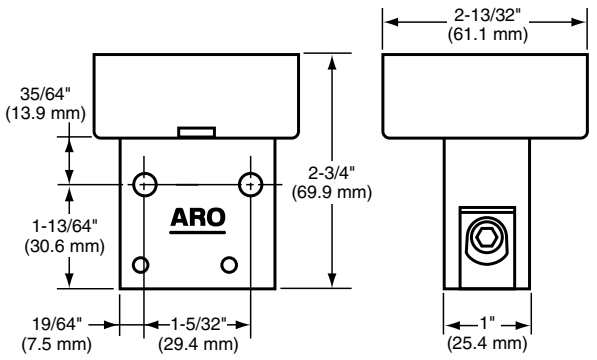
Panel MTG Drilling Layout

**DIMENSIONS & MOUNTING**

MODEL 461-X



MODEL 461-X w/20975 Guard



**WARNING:** Inappropriate or improper use, application, installation, service or maintenance of ARO Valves may create a hazardous or dangerous condition or situation. Please refer to the warning and cautions described in the ARO Pneumatic Valves Catalog or in the ARO Pneumatic Logic Controls Catalog. Consult your ARO distributor or representative for specific details.

The Circuit Accessories shown on pages 31 thru 38 are those elements most often used to control and interlock self-feed tools. A greater range of pneumatic valves and accessory components may be found in the ARO Pneumatic Valves Catalog and the ARO Pneumatic Logic Controls Catalog.



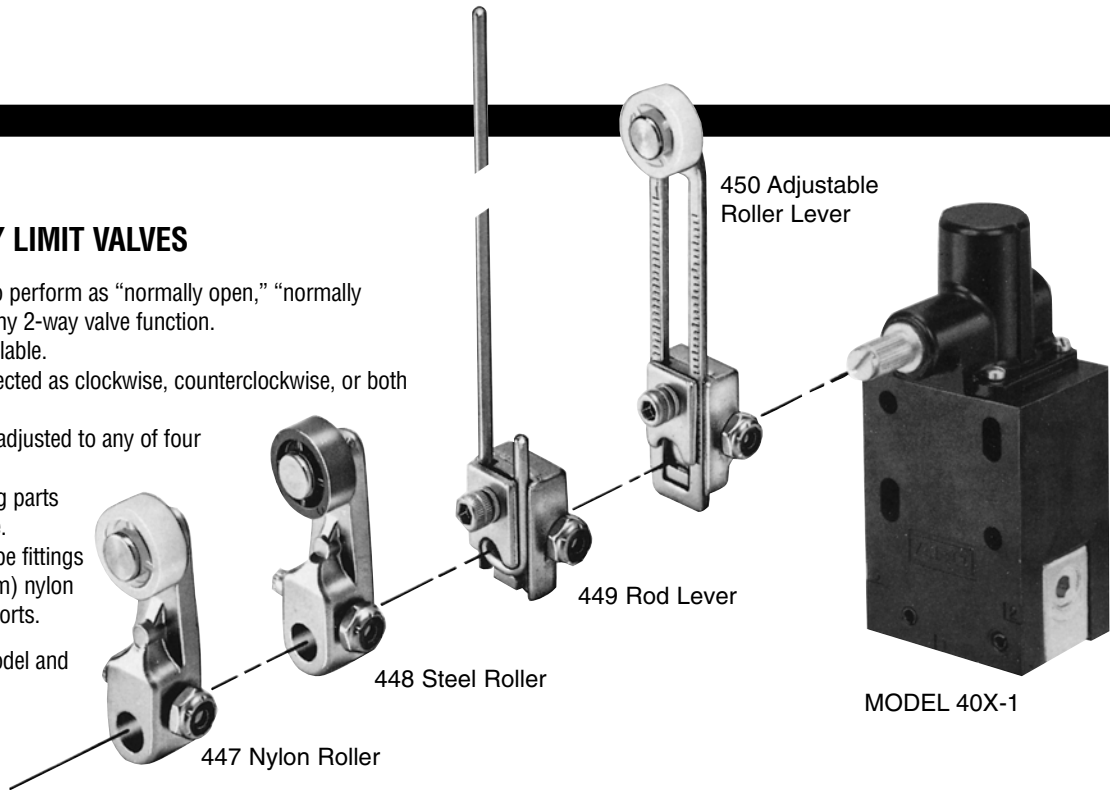


**Control Accessories**

**400 SERIES 3-WAY LIMIT VALVES**

- Valve can be plumbed to perform as “normally open,” “normally closed,” “selector,” or any 2-way valve function.
- Four actuator styles available.
- Lever action may be selected as clockwise, counterclockwise, or both directions.
- Operating head may be adjusted to any of four positions.
- Outer case seals working parts against dirt and damage.
- Available with instant tube fittings for use with 5/32" (4 mm) nylon tubing, or 1/8" NPT(F) ports.

To order, specify valve model and actuator type separately.

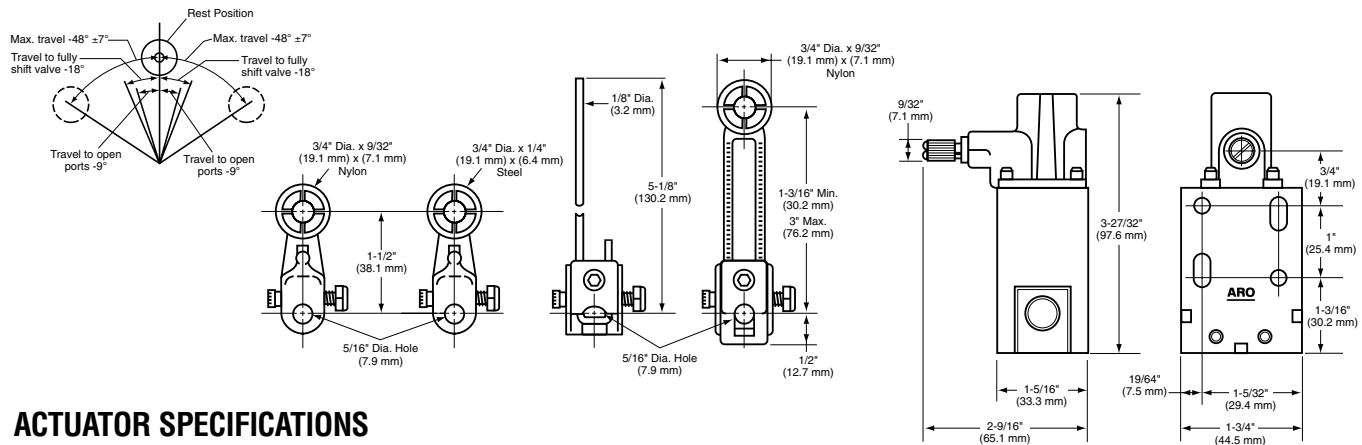


**SPECIFICATIONS**

VALVE MODELS w/Instant Tube Fittings	VALVE MODELS w/1/8" NPT(F) Ports	VALVE ACTION
400-1	400	One way, clockwise
401-1	401	One way, counterclockwise
402-1	402	Clockwise & counterclockwise

OPERATING PRESSURE ..... 30 to 150 PSIG (2.1 to 10.4 bar)  
 TEMPERATURE RANGE ..... 32° to 160°F (0° to 71°C)  
 FLOW CAPACITY ..... .3.0 SCFM (1.9 dm³/s) with instant tube fittings;  
 7.5 SCFM (3.6 dm³/s) with 1/8" NPT(F) ports.  
 ACTUATING FORCE ..... 1.5 lb.in. (.02 Nm)

**DIMENSIONS**



**ACTUATOR SPECIFICATIONS**

ACTUATOR MODEL	LEVER TYPE	FORCES REQUIRED ON LEVER TO ACTUATE VALVE
447	Nylon Roller	1.0 lb. (4.4 N)
448	Steel Roller	1.0 lb. (4.4 N)
449	Rod Lever	0.3 lb. (1.3 N)
450	Adj. Roller Lever	0.5 lb. (2.2 N) (At minimum length)

**WARNING:** Inappropriate or improper use, application, installation, service or maintenance of ARO Valves may create a hazardous or dangerous condition or situation. Please refer to the warning and cautions described in the ARO Pneumatic Valves Catalog or in the ARO Pneumatic Logic Controls Catalog. Consult your ARO distributor or representative for specific details.

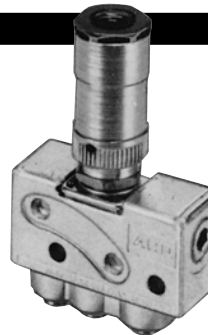
**Control Accessories**



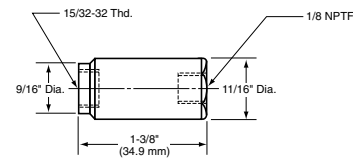
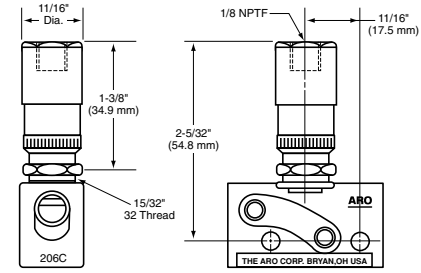
**MODEL 206-2-C 3-WAY MINIATURE VALVE**

**APPLICATION INFORMATION**

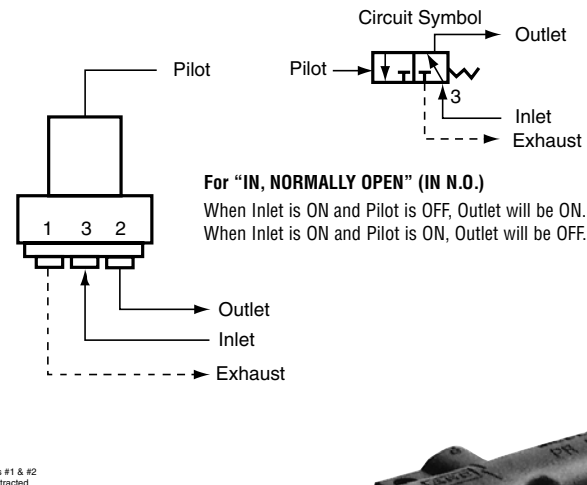
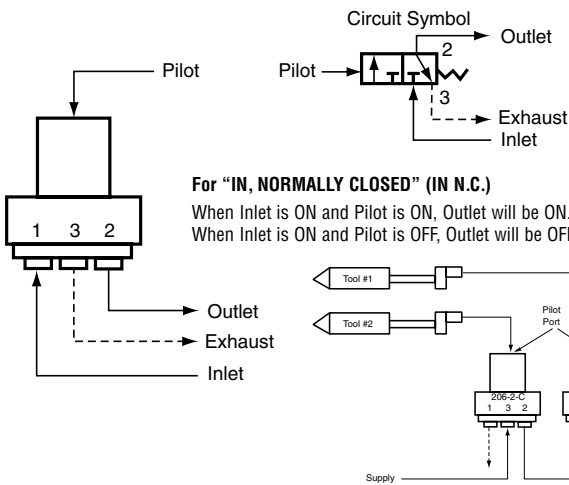
- A low cost two-position, pilot-actuated valve with spring return.
- Use for CYCLE COMPLETION for Lead Screw Tappers and tools with piston rod access (use "In N.O." for this).
- Can be plumbed to perform as "normally open," "normally closed," or as a diverter valve.
- Pilot actuator has a low friction U-cup seal on piston.
- Equipped with 5/32" instant tube fittings.
- Mounting holes are standard 1.0" electrical centers.



Model 206-2-C



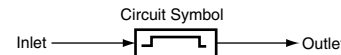
SUPPLY PRESSURE	MIN. PILOT PRESSURE PSIG (bar)					
	25 (1.7)	50 (3.5)	75 (5.2)	100 (6.9)	125 (8.6)	150 (10.4)
Piped IN — N.N.P.	11.5 (0.8)	12.0 (0.8)	12.5 (.9)	13.0 (0.9)	13.5 (0.9)	14.0 (1.0)
Piped IN — N.P.	14.5 (1.0)	17.0 (1.2)	19.5 (1.3)	22.0 (1.5)	24.5 (1.7)	27.0 (1.9)



**MODEL PR10 SINGLE PULSE RELAY VALVE**

**APPLICATION INFORMATION**

- Converts a continuous air signal into a single air pulse according to supply pressure used (see chart at right).
- Use to actuate a single device requiring momentary signals—from a limit valve supplying a continuous signal.
- Output turns ON when Input turns ON.
- Output turns OFF when preset time is reached (see chart at right).
- Removing Input resets valve for next cycle (see chart at right).
- Flow path indicated by arrow on valve body.
- Has a minimum pulse pressure of 35 PSIG (2.4 bar) and an operating range of 35 to 150 PSIG (2.4 to 10.4 bar).
- 1/8" NPT ports, inlet and outlet.

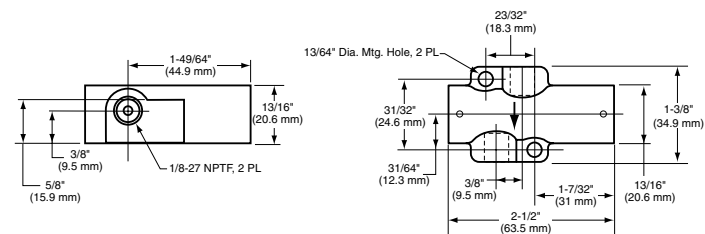


Model PR10

SUPPLY PSIG PRESSURE (bar)	PULSE DURATION ms	RESET TIME ms
50 (3.5)	125	160
75 (5.2)	110	170
100 (6.9)	105	180
125 (8.6)	100	190

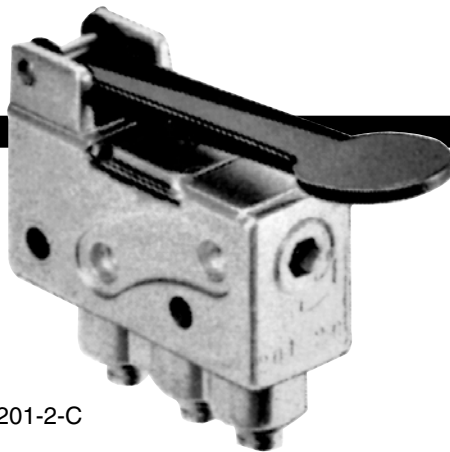
NOTE: For best results, outlet of the PR10 should be close to inlet port of next device. Use care not to overtighten fittings in plastic body.

**WARNING:** Inappropriate or improper use, application, installation, service or maintenance of ARO Valves may create a hazardous or dangerous condition or situation. Please refer to the warning and cautions described in the ARO Pneumatic Valves Catalog or in the ARO Pneumatic Logic Controls Catalog. Consult your ARO distributor or representative for specific details.



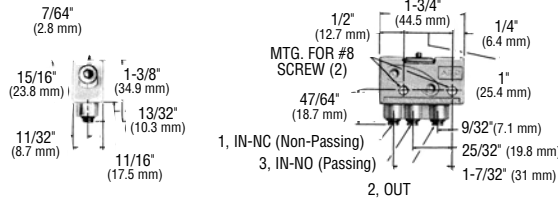


**Control Accessories**



Model 201-2-C

**DIMENSIONS**



**200 SERIES MINIATURE 3-WAY LIMIT VALVES**

**APPLICATION INFORMATION**

- Ideal for sensing position of moving machine devices, such as cylinders, slides, gates, etc.
- Valve can be plumbed to perform as "normally open," "normally closed," or any 2-way function.
- Fifteen actuator styles available—five manual and ten mechanical.
- Equipped with 5/32" instant tube fittings.
- Valves have zinc die cast body and stainless steel spool with Viton O-Ring Dynamic Seals / Buna-N Static Seals.

To order, specify the desired model number shown below.

**ACCESSORIES**

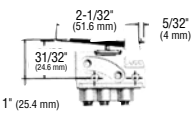
Stacking Kits contain all components (except valves) and instructions necessary for assembly. Valves must be ordered separately. Specify model number of kit according to the number of valves to be stacked.

KIT NO.	QUANTITY OF VALVES				
	2	3	4	5	6
225-2	225-3	225-4	225-5	225-6	

**SPECIFICATIONS**

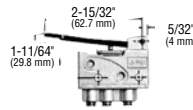
OPERATING PRESSURE .....30 to 150 PSIG (2 to 10 bar)  
 TEMPERATURE RANGE .....32° to 160° F (0° to 71° C)  
 FLOW CAPACITY .....4.0 SCFM (1.9 dm³/s)  
 ACTUATING FORCE ..... Forces listed below are for valve installed in "closed" mode.  
 For forces in "open" mode, add 40%.

**MODEL 200-2-C  
PLAIN LEVER**



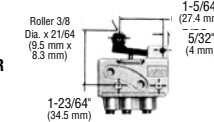
Actuation: Force – 20 oz. (5.6 N) Stroke – .195" (5.0 mm)  
 Overtravel – .055" (1.4 mm) Weight – 3.5 oz. (99 g)

**MODEL 201-2-C  
FINGERTIP LEVER**



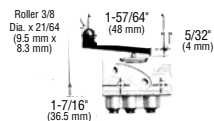
Actuation: Force – 20 oz. (5.6 N) Stroke – .289" (7.3 mm)  
 Overtravel – .086" (2.2 mm) Weight – 4 oz. (113 g)

**MODEL 202-2-C  
SHORT ROLLER LEVER**



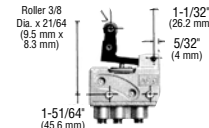
Actuation: Force – 36 oz. (10.0 N) Stroke – .086" (2.2 mm)  
 Overtravel – .024" (0.6 mm) Weight – 3.5 oz. (99 g)

**MODEL 203-2-C  
LONGER ROLLER LEVER**



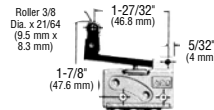
Actuation: Force – 21 oz. (5.8 N) Stroke – .086" (2.2 mm)  
 Overtravel – .024" (0.4 mm) Weight – 3.5 oz. (99 g)

**MODEL 204-2-C  
ONE WAY, SHORT LEVER**



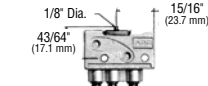
Actuation: Force – 34 oz. (9.5 N) Stroke – .089" (2.3 mm)  
 Overtravel – .027" (0.7 mm) Weight – 4 oz. (113 g)

**MODEL 205-2-C  
ONE WAY, LONG LEVER**



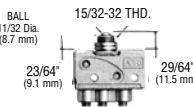
Actuation: Force – 23 oz. (6.4 N) Stroke – .164" (4.2 mm)  
 Overtravel – .024" (0.6 mm) Weight – 4 oz. (113 g)

**MODEL 209-2-C  
PIN PLUNGER**



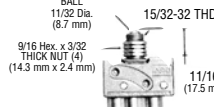
Actuation: Force – 57 oz. (15.8 N) Stroke – .062" (1.6 mm)  
 Overtravel – .015" (0.4 mm) Weight – 3 oz. (85 g)

**MODEL 212-2-C  
BALL ROLLER, SHORT**



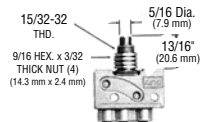
Actuation: Force – 57 oz. (15.8 N) Stroke – .062" (1.6 mm)  
 Overtravel – .015" (0.4 mm) Weight – 3.5 oz. (99 g)

**MODEL 213-2-C  
BALL ROLLER, LONG**



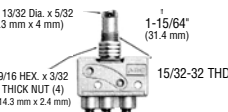
Actuation: Force – 57 oz. (15.8 N) Stroke – .062" (1.6 mm)  
 Overtravel – .015" (0.4 mm) Weight – 3.5 oz. (99 g)

**MODEL 214-2-C  
STRAIGHT PLUNGER**



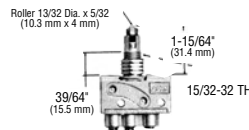
Actuation: Force – 57 oz. (15.8 N) Stroke – .062" (1.6 mm)  
 Overtravel – .089" (2.3 mm) Weight – 3.5 oz. (99 g)

**MODEL 215-2-C  
ROLLER PLUNGER**



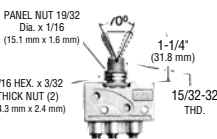
Actuation: Force – 57 oz. (15.8 N) Stroke – .062" (1.6 mm)  
 Overtravel – .089" (2.3 mm) Weight – 4 oz. (113 g)

**MODEL 216-2-C  
CROSS-ROLLER PLUNGER**



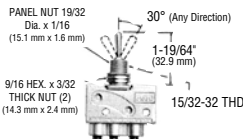
Actuation: Force – 57 oz. (15.8 N) Stroke – .062" (1.6 mm)  
 Overtravel – .089" (2.3 mm) Weight – 4 oz. (113 g)

**MODEL 223-2-C  
RETAINED TOGGLE**



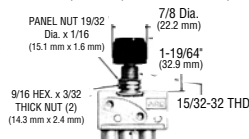
Actuation: Force – 24 oz. (6.7 N) Stroke – 70°  
 Weight – 3.5 oz. (99 g)

**MODEL 222-2-C  
CENTERING TOGGLE**



Actuation: Force – 24 oz. (6.7 N) Stroke – 70°  
 Weight – 3.5 oz. (99 g)

**MODEL 224-2-C  
PANEL BUTTON**



Actuation: Force – 57 oz. (15.4 N) Stroke – .062" (1.6 mm)  
 Overtravel – .015" (0.4 mm) Weight – 4 oz. (113 g)

**WARNING:** Inappropriate or improper use, application, installation, service or maintenance of ARO Valves may create a hazardous or dangerous condition or situation. Please refer to the warning and cautions

described in the ARO Pneumatic Valves Catalog or in the ARO Pneumatic Logic Controls Catalog. Consult your ARO distributor or representative for specific details.

**Control Accessories**



**MODEL 59157 ADJUSTABLE, SINGLE-PULSE RELAY VALVE**

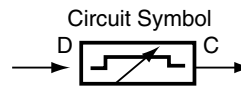
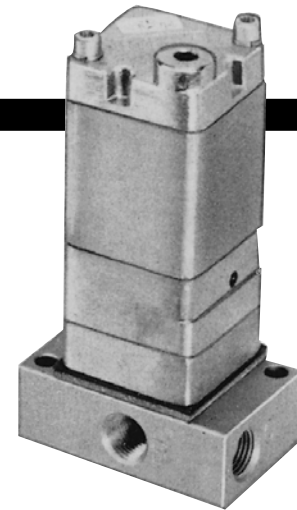
**APPLICATION INFORMATION**

- Converts a continuous air signal into a single air pulse of adjustable duration ranging from 0.8 to 7.5 seconds.
- Use to actuate feed tools or devices requiring momentary signals from a limit valve supplying a continuous signal.
- Output turns ON when Input turns ON.
- Output turns OFF when adjusted time is reached.
- Removing Input resets valve for next cycle.
- 1/8" NPT(F) ports.

**SPECIFICATIONS**

**OPERATING PRESSURE** .....30 to 150 PSIG (2 to 10 bar)  
**TEMPERATURE RANGE** .....32° to 160°F (0° to 71°C)  
**DIMENSIONS** .....1 1/4" x 1 1/8" x 3 3/8" high (32 x 48 x 85 mm)  
**MOUNTING HOLES** .....(2) 3/16" Dia. thru base in opposite corners of a 7/8" x 1 9/16" (22 x 40 mm) rectangular pattern.

Model 59157



**"E" SERIES 3-WAY & 4-WAY PILOT VALVES**

**APPLICATION INFORMATION, 4-WAY VALVE—MODEL E212PD DOUBLE PILOT ACUATED, MODEL E212PS PILOT ACUATED SPRING RETURN**

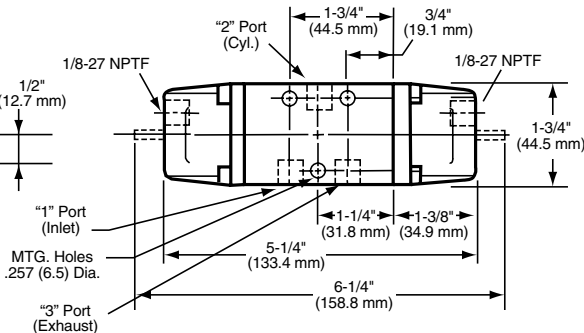
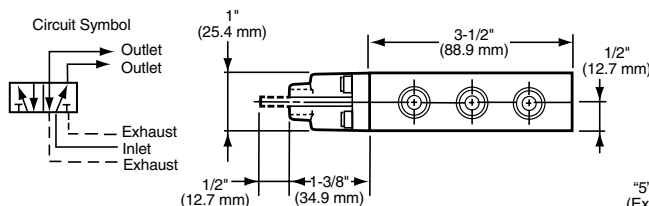
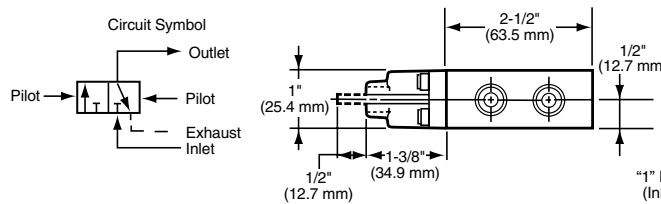
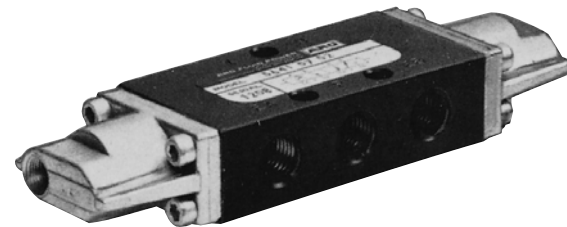
- Use to power double-acting cylinders up to 2.5" piston diameter.
- Use to power reversible air motors thru 0.5 HP. Motor always runs either forward or reverse rotation. Combine with 3-way valve for ON/OFF function, or choose a three position valve.
- Valves are two-position.
- 1/4" NPT(F) power air ports and 1/8" NPT(F) pilot ports for remote control.

**3-WAY VALVE—MODEL E252PD DOUBLE PILOT ACUATED, MODEL E252PS PILOT ACUATED SPRING RETURN**

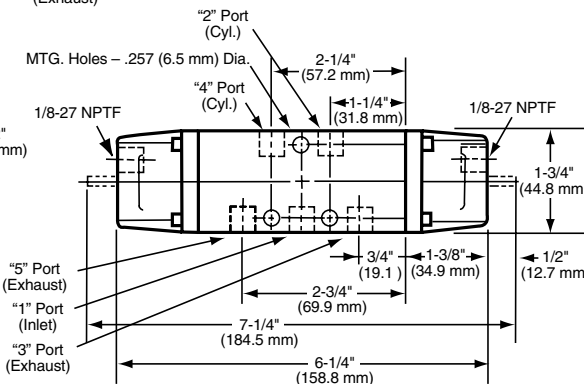
- Use to power single-acting (spring return) cylinders up to 2.5" piston diameter.
- Use to power single-direction air motors thru 0.5 HP (ON/OFF function).

**SPECIFICATIONS**

**OPERATING PRESSURE** .....20 to 200 PSIG (1.4 to 13.8 bar)  
 Minimum pilot pressure—15 PSIG (1.0 bar)  
**TEMPERATURE RANGE** .....-10° to 180°F (-23° to 82°C)  
**FLOW CAPACITY** .....26 SCFM (12 dm³/s)



**E252PS  
E252PD**



**E212PS  
E212PD**

**WARNING:** Inappropriate or improper use, application, installation, service or maintenance of ARO Valves may create a hazardous or dangerous condition or situation. Please refer to the warning and cautions

described in the ARO Pneumatic Valves Catalog or in the ARO Pneumatic Logic Controls Catalog. Consult your ARO distributor or representative for specific details.



## Control Accessories

### TWO-HAND ANTI-TIE-DOWN CONTROL PACKAGES

- Ideal for machines where position of operator's hands must be monitored.
- Actuate and hold both air valve buttons concurrently to maintain an output air signal. If either push button is released, the output air signal is exhausted, indicating the operator's hands are no longer in position.
- Operating Pressures: 50-125 PSI (3.5-8.6 bar). Designed to comply with OSHA regulations.

**Warning:** These provide only the anti-tie down logic function and are not stroke limiting devices. On machines with full revolution clutches and/or where repeat cycles can occur, approved safety and/or single stroke devices must be used in conjunction with the anti-tie down units.

### Elements

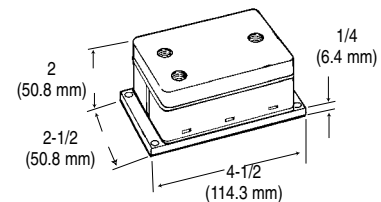
#### 59191 Base Mounted

- Element has three 1/8" NPTF ports on top. 2 inputs, 1 output.
- Element is base mounted.

**Ordering Information:** Order push button valves separately.



59191



### Packages

#### 59808

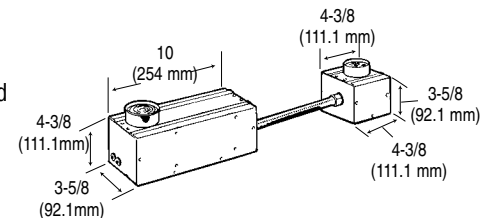
- Includes two enclosures with green push button valves separated by a length of flexible conduit. External supply and output to machine is made by 5/32" (4mm) instant tube fittings.
- Comes assembled with all internal connections ready to install on machine.
- Palm Buttons are 30" center to center.



59808

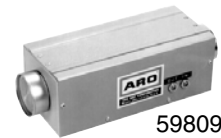
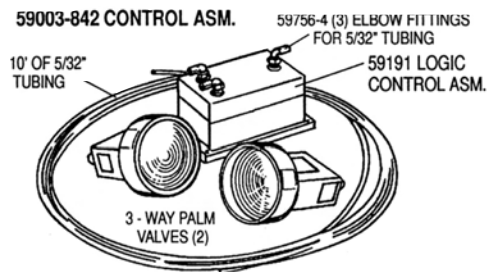
#### 59809

- Green push buttons located on opposite ends of a single enclosure. External supply and output to machine is made by 5/32" (4mm) instant tube fittings.
- Comes assembled with all internal connections ready to install on machine.

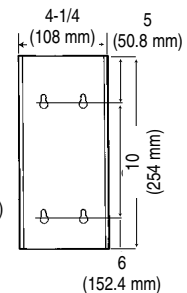
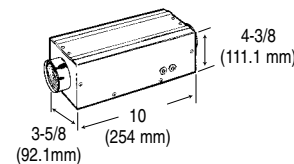


#### 59003-842

- Unassembled package.
- Includes 59191 anti-tie-down block, two 461-3 palm buttons with 20975 guards, 10 feet of 5/32" tubing and fittings for 59191.
- Customer can custom fit components to machine.



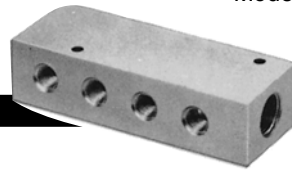
59809



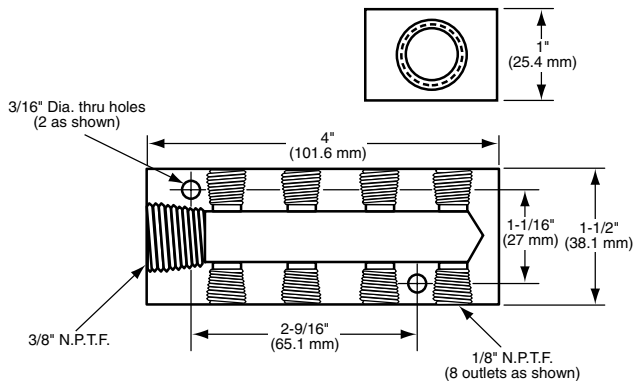
**Control Accessories**



Model 37750

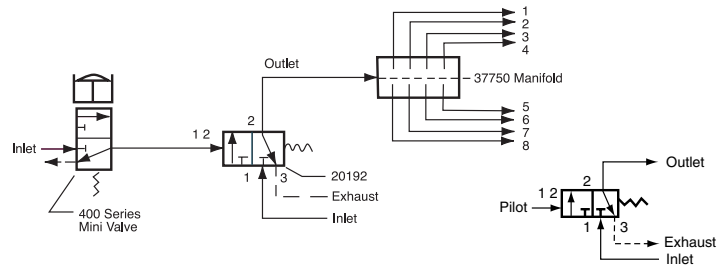


**MODEL 37750 TERMINAL MANIFOLD**



**APPLICATION EXAMPLE**

To start several self-feed tools with one signal—



**APPLICATION INFORMATION**

- Eight station distribution manifold for control circuit signals.
- One 3/8" NPT(F) supply port and eight 1/8" NPT(F) signal ports.

NOTE: Mounting screws not included.

**Tubeing, Fittings & Connectors**

<u>Y-Connector</u>	<u>Tube Size</u>
59482	5/32

<u>Male Connector</u>	<u>Tube Size</u>	<u>NPT</u>
59474-4	5/32	1/8
59474-56	1/4	1/8
59474-156	1/4	1/4
59474-256	1/4	3/8



<u>Tubeing (100' rolls)</u>	<u>Tube Size</u>
59690-4	5/32



<u>Male Elbow</u>	<u>Tube Size</u>	<u>NPT</u>
59756-103	5/32	#10-32
59756-4	5/32	1/8
59756-56	1/4	1/8
59756-156	1/4	1/4



<u>Male Branch Tee</u>	<u>Tube Size</u>	<u>NPT</u>
59757-4	5/32	1/8
59757-56	1/4	1/8
59757-156	1/4	1/4



<u>Plug</u>	<u>Tube Size</u>
59763-4	5/32
59763-56	1/4



<u>Union</u>	<u>Tube Size</u>
59759-4	5/32
59759-56	1/4



<u>Union Elbow</u>	<u>Tube Size</u>
59760-4	5/32
59760-56	1/4



<u>Union Tee</u>	<u>Tube Size</u>
59761-4	5/32
59761-56	1/4



<u>Union Bulkhead</u>	<u>Tube Size</u>
59762-4	5/32
59762-56	1/4



<u>Expander Tube Male</u>	<u>Tube Size</u>	<u>NPT</u>
59765-4	5/32	1/4



<u>Reducer Tube Male</u>	<u>Tube Size</u>	<u>NPT</u>
59765-56	1/4	5/32

Maximum Working Pressure Vacuum to 250 PSI (17 bar)  
 Temperature Range - +5°F to 160°F (-15°F to 71°C)  
 Tubing Material: Nylon II



**Control Accessories**

**INLINE "AND" & "OR" CIRCUIT COMPONENTS**

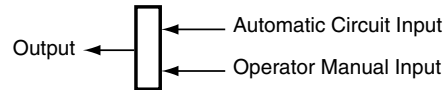
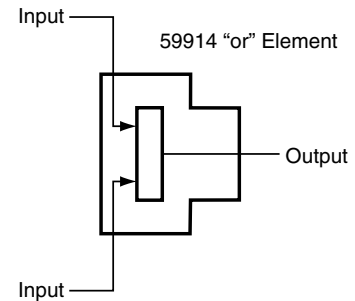
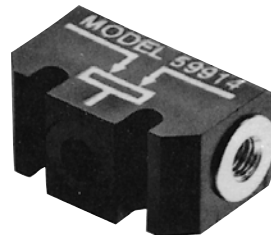
**APPLICATION INFORMATION**

- Miniature, low cost elements to provide "AND" and "OR" functions in pneumatic control circuitry.
- Require #10-32 male connector for each of three ports.

**MODEL 59914 "OR"**

The ARO Model 59914 "OR" function (shuttle) connects two air signals to a common output. Either input, when applied, flows directly to the output port. An internal poppet prevents a loss of pressure from the input not in use. The 59914 "OR" function can replace many small metal shuttles and logic elements presently in use. It is lightweight, corrosion-resistant and easy to install.

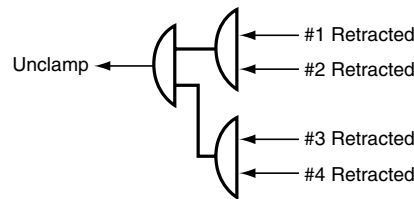
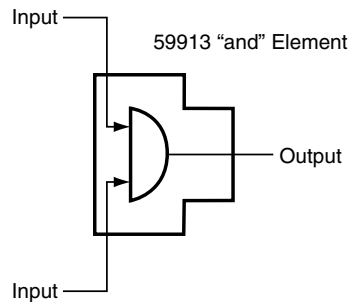
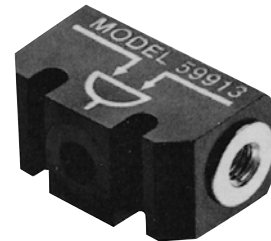
It can be used to allow additional input of a signal into a circuit.



**MODEL 59913 "AND"**

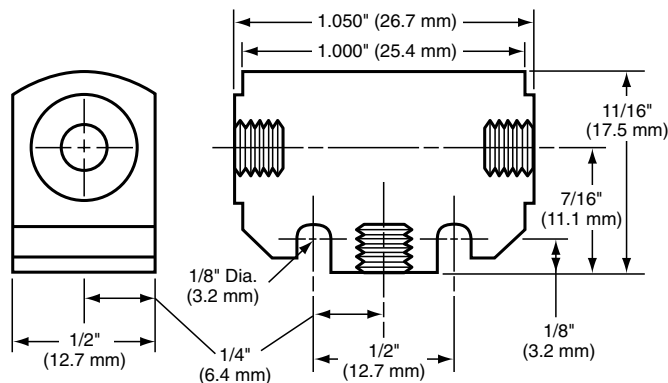
The ARO Model 59913 "AND" function also connects two air signals to a common output. Both input signals must be ON to create an output signal. A loss of pressure at either input will cause the output to go OFF. The 59913 "AND" function is used to interlock two signals for sequence or safety. It can replace larger pilot-operated valves and logic elements previously used for this purpose. It is lightweight, corrosion-resistant and easy to install.

It can be used to sum signals to achieve an action after all signals are present.



**EXAMPLE: Unclamp a part when all tools are retracted.**

**DIMENSIONS**



**SPECIFICATIONS**

- OPERATING PRESSURE** . . . . . 30 to 150 PSIG (2 to 10 bar)
- TEMPERATURE RANGE** . . . . . 32° to 160°F (0° to 71°C)
- FLOW CAPACITY \*** . . . . . "OR" = 4.0 SCFM (1.9 dm<sup>3</sup>/s)  
 "AND" = 3.2 SCFM (1.5 dm<sup>3</sup>/s)
- PORTS** . . . . . #10-32 Female Thread
- BODY MATERIAL** . . . . . Acetal Resin
- INSERTS** . . . . . Aluminum
- SHUTTLE/POPPET** . . . . . Buna-N
- \*90 PSIG (6.2 bar) supply, 75 PSIG (5.2 bar) outlet.

**WARNING:** Inappropriate or improper use, application, installation, service or maintenance of ARO Valves may create a hazardous or dangerous condition or situation. Please refer to the warning and cautions described in the ARO Pneumatic Valves Catalog or in the ARO Pneumatic Logic Controls Catalog. Consult your ARO distributor or representative for specific details.

## Mounting Accessories



To complement its comprehensive line of automatic production tools, ARO offers a variety of mounting options to meet countless fixture requirements. The availability of a wide assortment of standard mounting components provides the user with three important benefits:

**PRECISION.** All clamping devices are designed specifically for ARO Automatic Production Tools to provide rigid mounting.

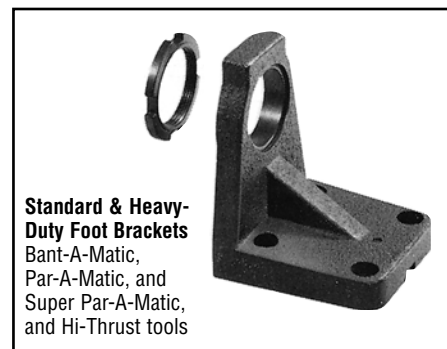
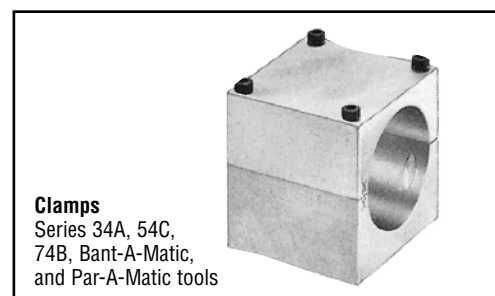
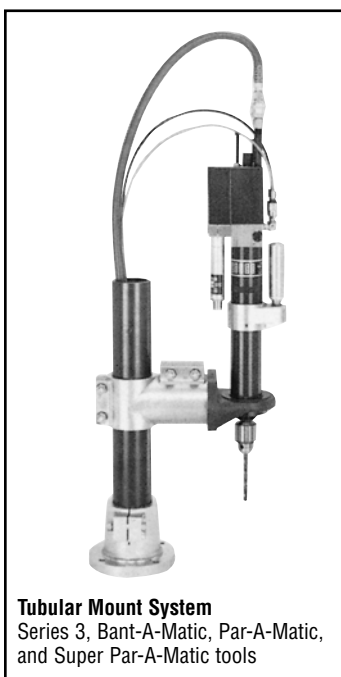
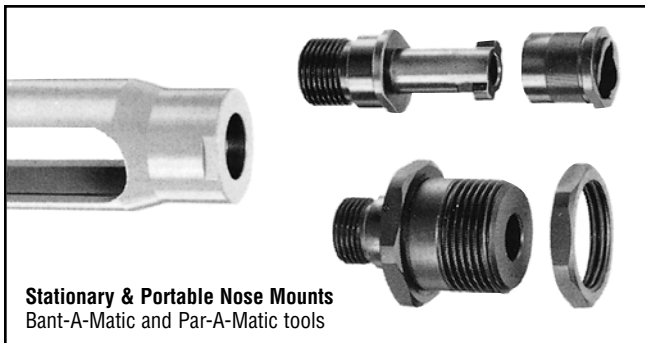
**VERSATILITY.** ARO mounting components permit ARO Automatic Production Tools to be positioned vertically, horizontally, or at 3-dimensional angles in relation to the workpiece. They are also suitable for clamping other machine elements.

**LOW COST.** Standard components for mounting tools minimize the need to construct special holding or clamping devices. This results in low jiggig costs, easier service and higher reuse value.

To select and order the proper mounting components, please consider the following—

1. Identify the particular series of tool to be used, i.e., Bant-A-Matic, Par-A-Matic, etc.
2. From all the possible mounting options for ARO Automatic Production Tools illustrated below, note those available for the series tool to be used.
3. Keeping in mind the attitude of the tool to the workpiece and the amount of space in which the mount must fit, select the best available mounting accessory for the application from pages 39-46 (dimensions are shown for each mount).

NOTE: When selecting either stationary or portable nose mounting, pay particular attention to thread sizes and drill ranges.







**Mounting Accessories**

**SERIES 34A & 54C (Mounting Clamps and Riser)**

**Mounting Clamp Assembly 49690**

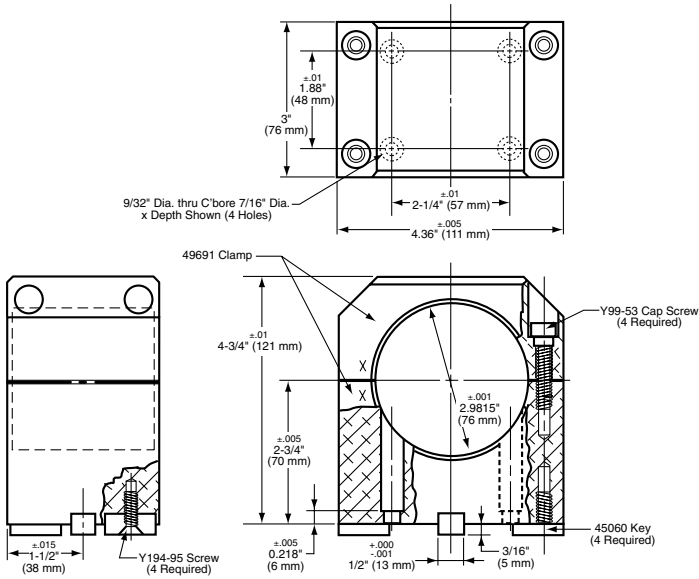
Mounts feed drill securely to flat surfaces. May be bolted in place from top or from bottom. Uses keys for alignment. Includes 3/8 x 1/8 in. keys.

**Riser 49771**

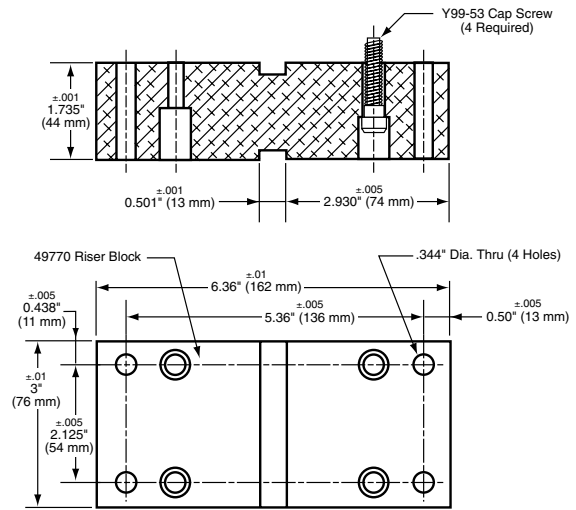
Provides necessary elevation for installations where the feed drill must clear the mounting plane. Bolts under 49690 clamp, and bolts down to mount surface.

**MOUNTING ARRANGEMENTS**

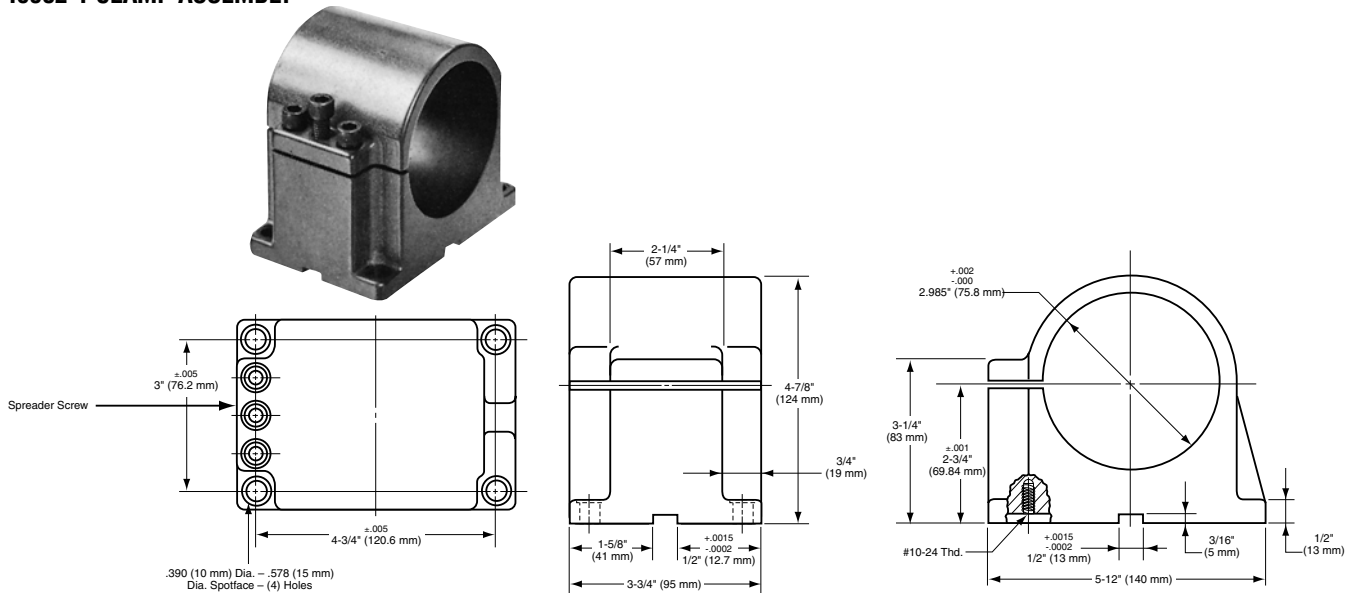
**49690 CLAMP ASSEMBLY**



**49771 RISER BLOCK KIT**



**46982-1 CLAMP ASSEMBLY**



**Mounting Accessories**

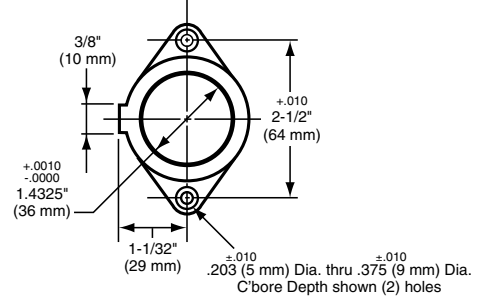
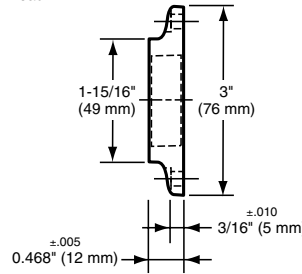
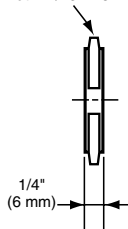


**BANT-A-MATIC SERIES**

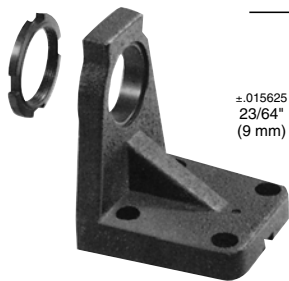
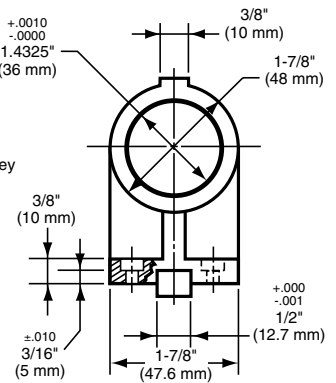
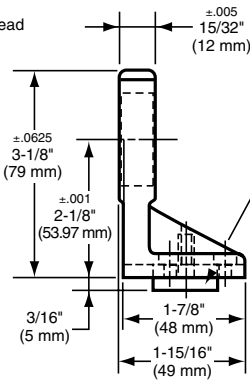
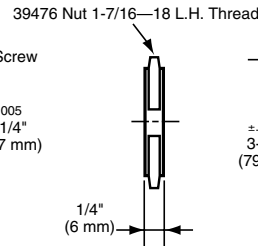
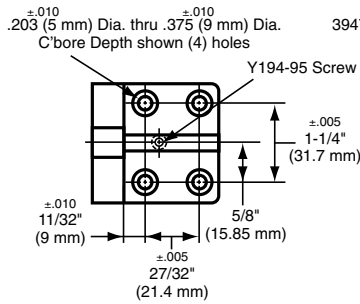


**Flange Bracket**  
 P/N 39486  
 (Includes Nut)

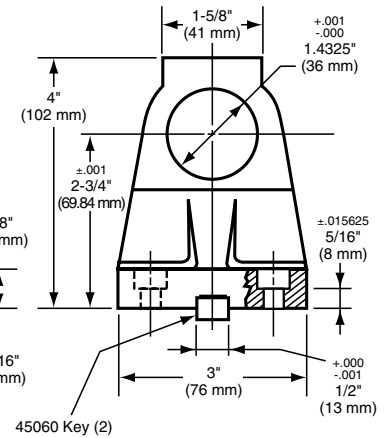
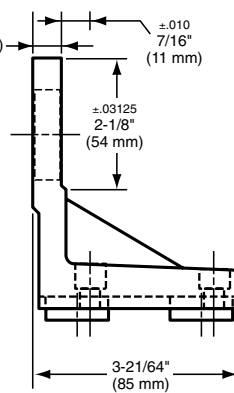
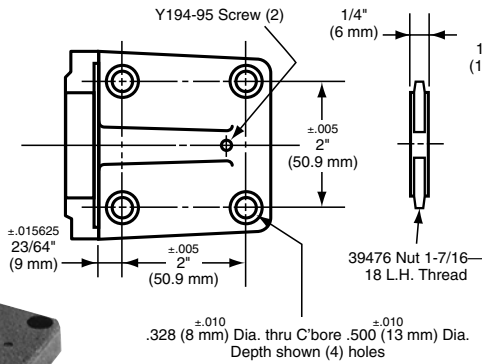
39476 Nut 1-7/16—18 L.H. Thread



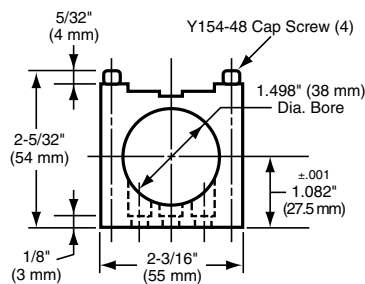
**Standard-duty Foot Bracket**  
 P/N 39485-1  
 (Includes Nut)



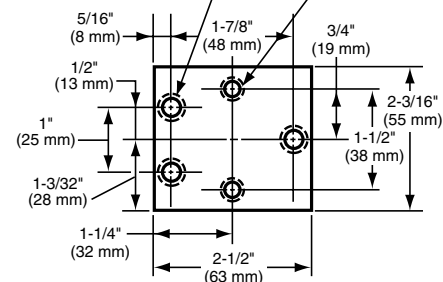
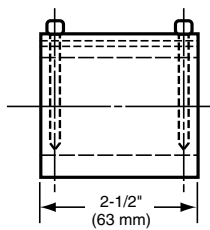
**Heavy-duty Foot Bracket**  
 P/N 45053  
 (Includes Nut)



**Block Clamp**  
 P/N 36042



17/64 (8 mm) Dia. thru 25/64 (10 mm) Dia. C'bore Depth shown (3) holes  
 5/16-18 Th'd (2) holes 1/2 (13 mm) deep



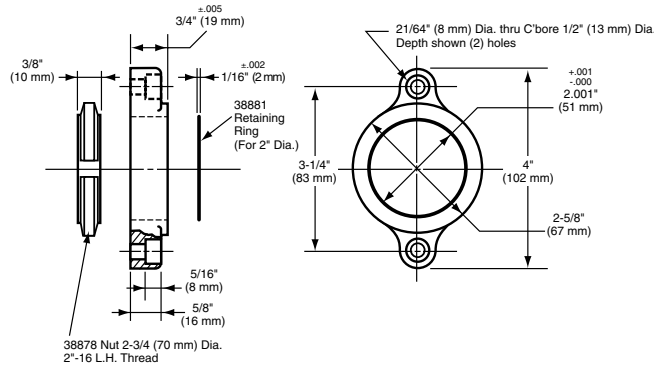


**Mounting Accessories**

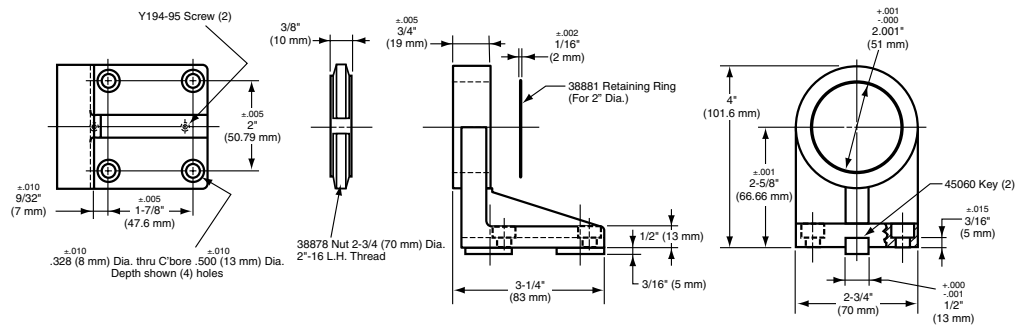
**PAR-A-MATIC SERIES**



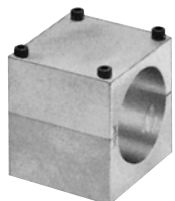
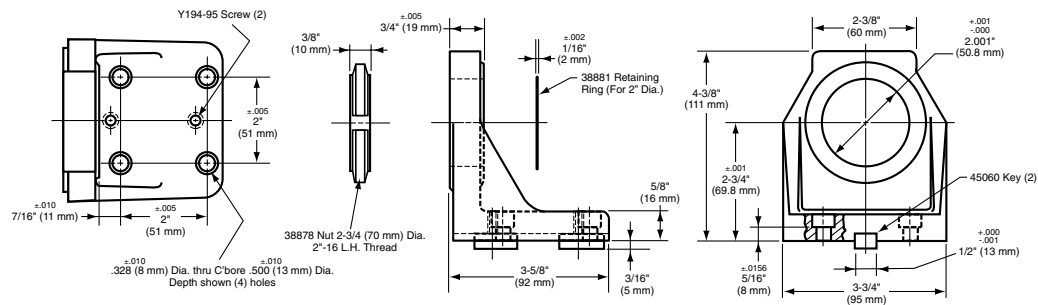
**Flange Bracket**  
 P/N 38877  
 (Includes Nut & Ring)



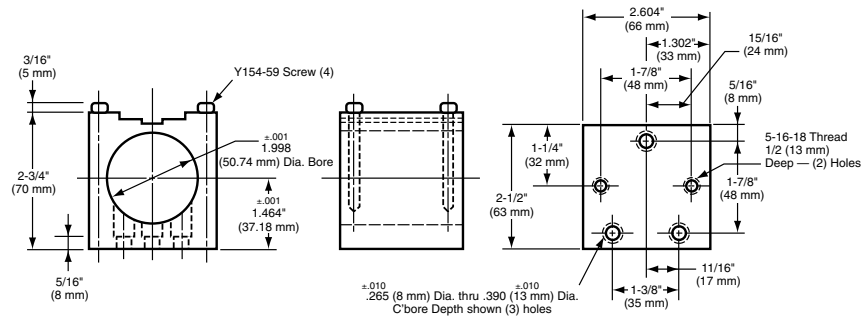
**Standard-duty Foot Bracket**  
 P/N 38875-1  
 (Includes Nut & Ring)



**Heavy-duty Foot Bracket**  
 P/N 45055  
 (Includes Nut & Ring)



**Block Clamp**  
 P/N 35283



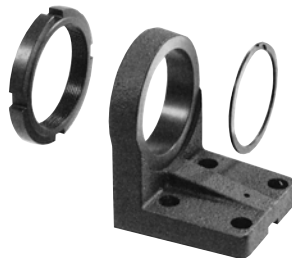
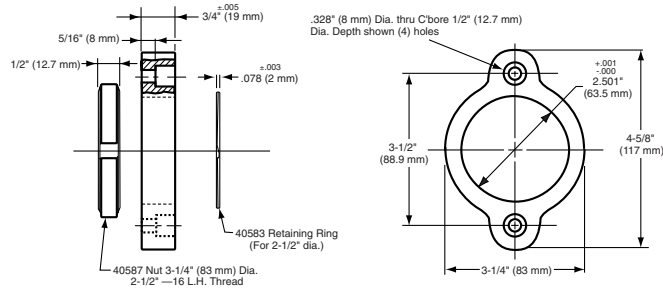
**Mounting Accessories**



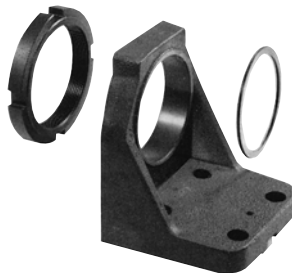
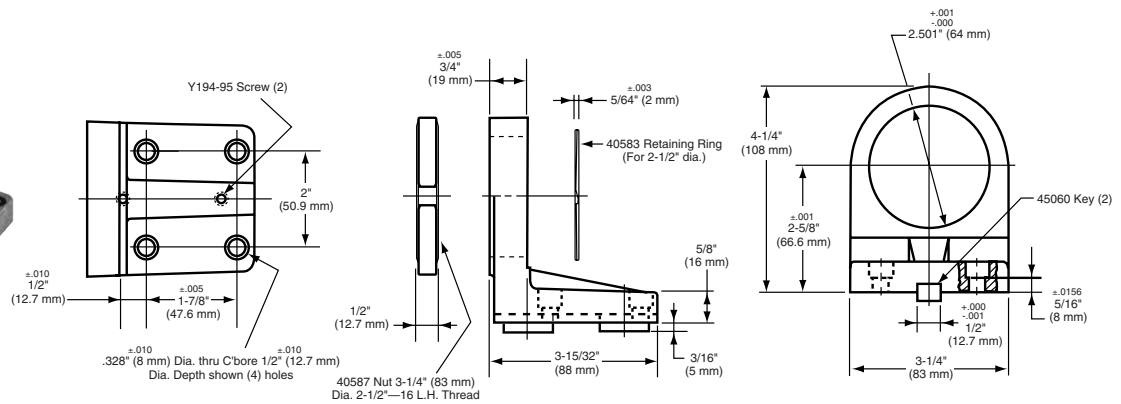
**SUPER-PAR-A-MATIC SERIES**



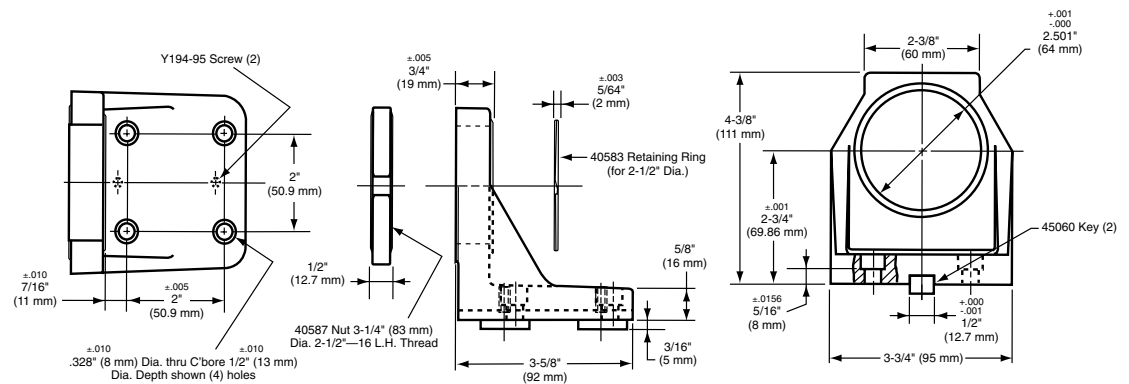
**Flange Bracket**  
 P/N 40589  
 (Includes Nut & Ring)



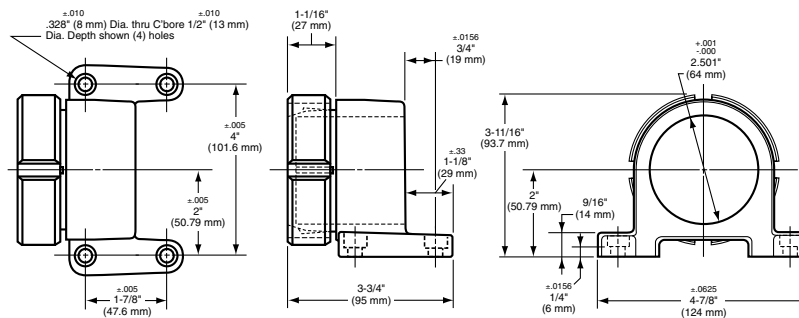
**Standard-duty**  
**Foot Bracket**  
 P/N 40588-1  
 (Includes Nut & Ring)



**Heavy-duty**  
**Foot Bracket**  
 P/N 40506  
 (Includes Nut & Ring)



**Collet-type**  
**Foot Bracket**  
 P/N 41454



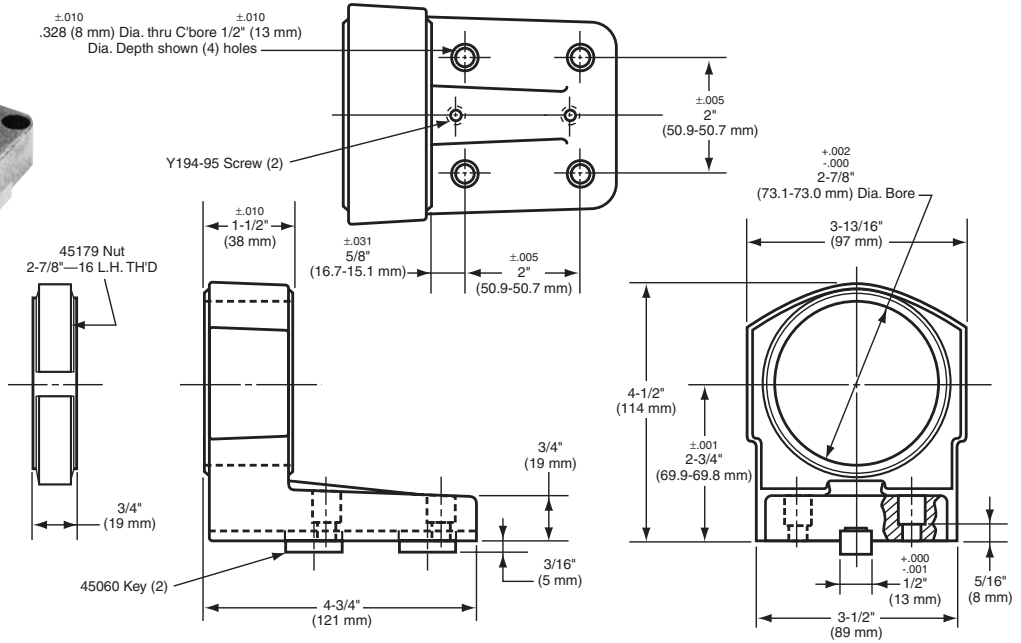


**Mounting Accessories**

**HI-THRUST 8670 SERIES**



Heavy-duty  
Foot Bracket  
P/N 45185  
(Includes Nut)



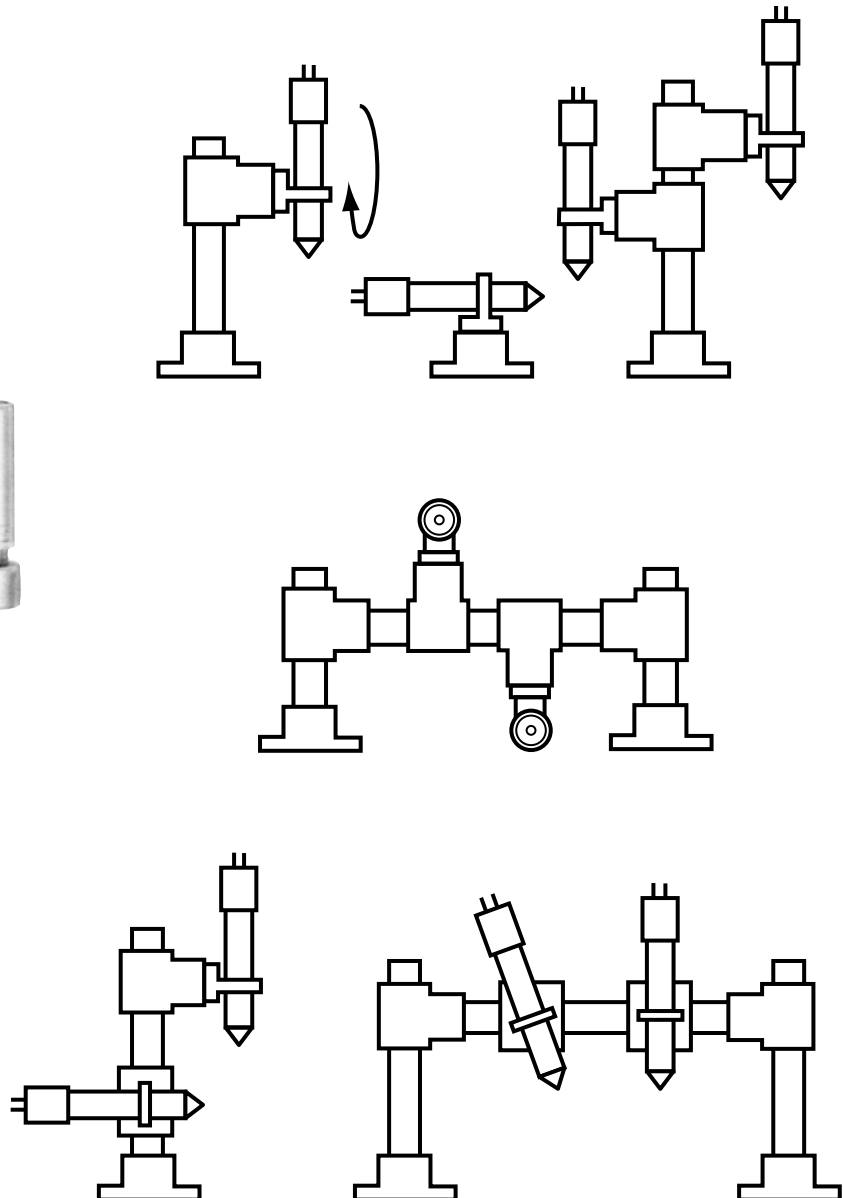
**Mounting Accessories**



**TUBULAR MOUNTING SYSTEM**

The ARO Tubular Mounting System is an extremely versatile method of mounting ARO Bant-A-Matic, Par-A-Matic, and Super Par-A-Matic Series tools. Available mounting components accommodate endless fixture requirements and permit the positioning of tools at virtually any angle to the workpiece.

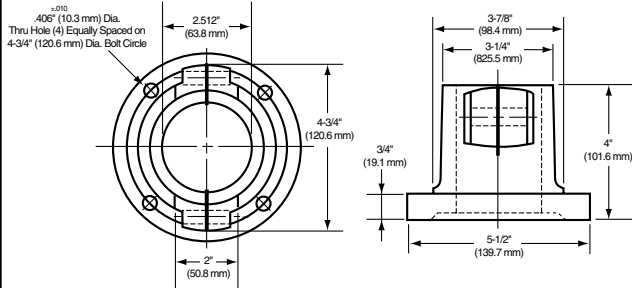
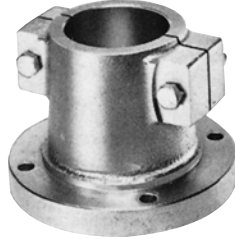
The following illustrations show just a few examples of the many fixture possibilities.





## Mounting Accessories

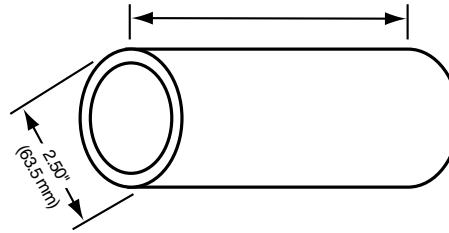
### 43788 Base Mount Assembly



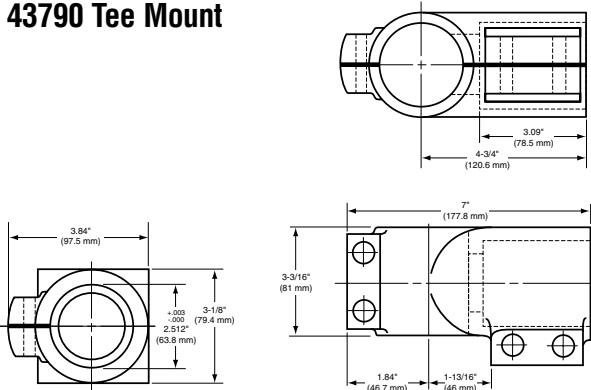
### 43791-( ) Mounting Tube

MOUNTING TUBE*	LENGTH "L"
43791-6	6.0" (152 mm)
43791-12	12.0" (305 mm)
43791-18	18.0" (457 mm)
43791-24	24.0" (610 mm)
43791-30	30.0" (762 mm)

\*Longer tubes available upon request.



### 43790 Tee Mount



Designed to connect a Tool Mount Assembly to a Mounting Tube. Forms a right angle from the mounting tube.

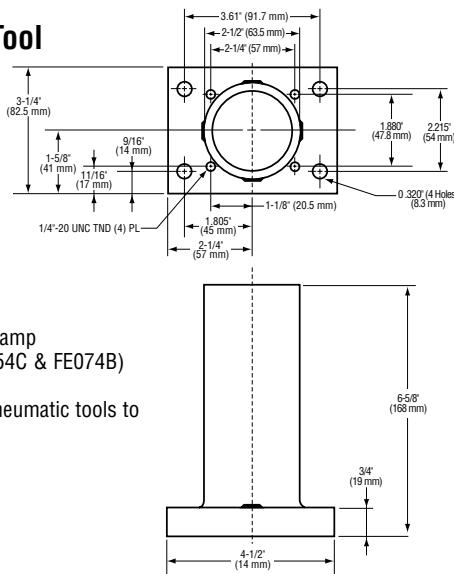
### 43786-( ) Tool Mount Assembly



Designed to hold ARO Bant-A-Matic, Par-A-Matic and Super Par-A-Matic Series tools. Tool Mount Assemblies come complete with a mounting bracket, lock nut and retaining ring.

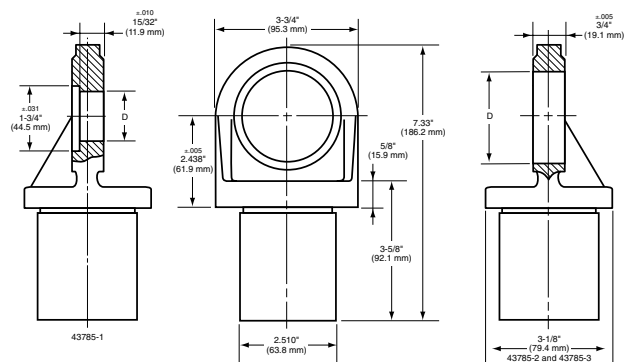
TOOL SERIES	TOOL MOUNT ASSEMBLY	MOUNTING BRACKET	LOCK NUT	RETAINING RING	DIAMETER "D"
Bant-A-Matic	43786-1	43785-1	39476	None	1.432" (36.4 mm)
Par-A-Matic	43786-2	43785-2	38878	38881	2.001" (50.8 mm)
Super Par-A-Matic	43786-3	43785-3	40587	40583	2.501" (63.5 mm)

### 04333860 Tool Mount



Accepts 49690 Clamp (for FE034A, FE054C & FE074B)

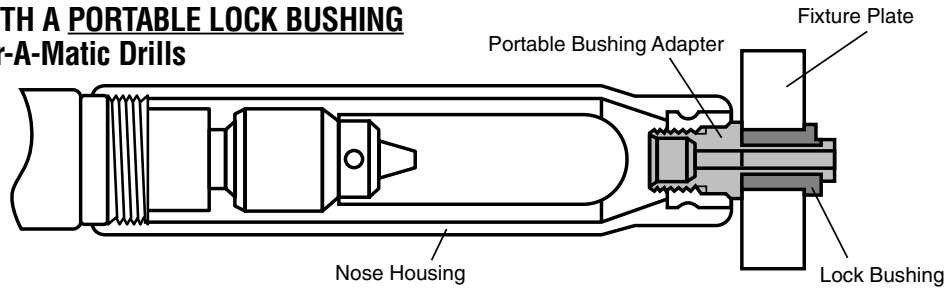
Adapts electric/pneumatic tools to tubular mounts.



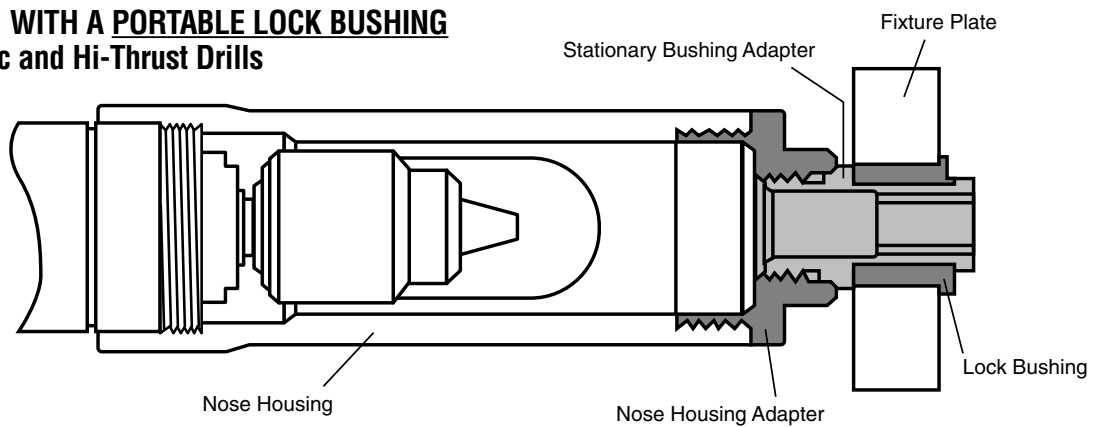
**Mounting Accessories**



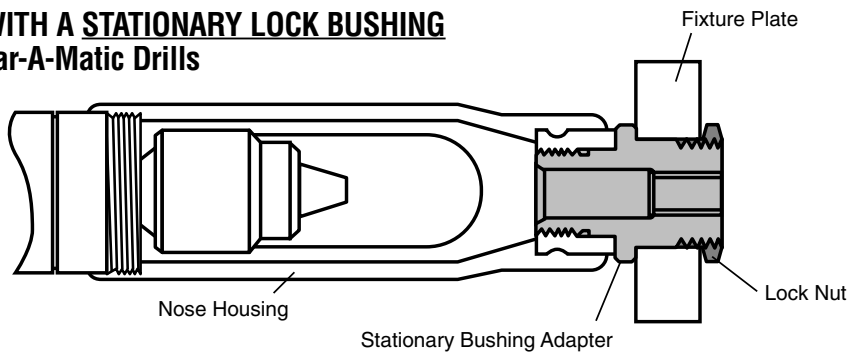
**NOSE MOUNTING WITH A PORTABLE LOCK BUSHING**  
**Bant-A-Matic and Par-A-Matic Drills**



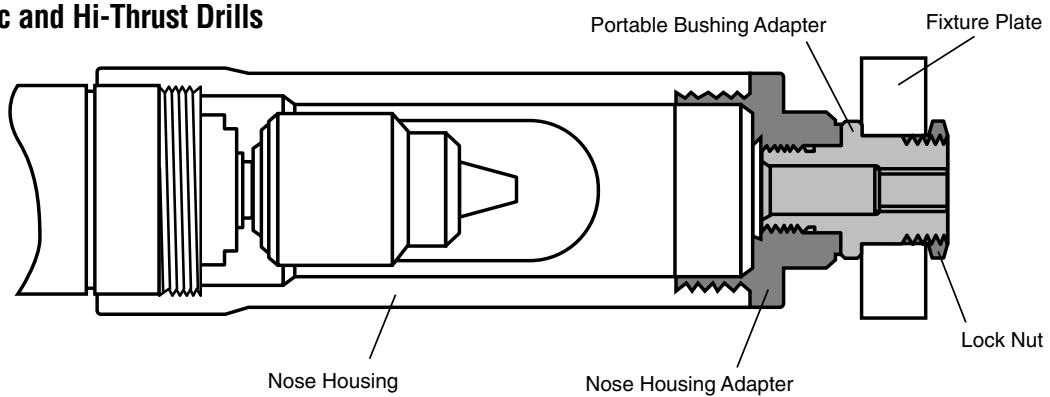
**NOSE MOUNTING WITH A PORTABLE LOCK BUSHING**  
**Super Par-A-Matic and Hi-Thrust Drills**



**NOSE MOUNTING WITH A STATIONARY LOCK BUSHING**  
**Bant-A-Matic and Par-A-Matic Drills**



**NOSE MOUNTING WITH A STATIONARY LOCK BUSHING**  
**Super Par-A-Matic and Hi-Thrust Drills**







**Mounting Accessories**

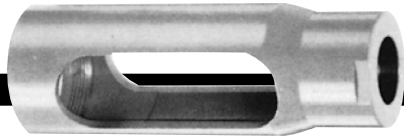


Fig. 1

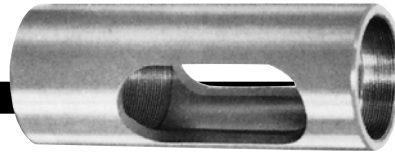
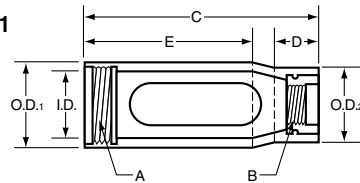
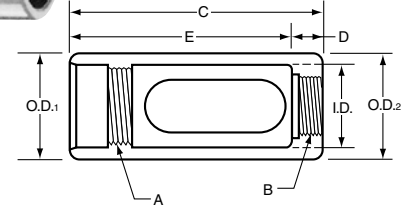


Fig. 2



**NOSE HOUSINGS**

DRILL MODEL	NOSE HOUSING	THREAD SIZES		LENGTH C in. (mm)	O.D. <sub>1</sub> in. (mm)	DIAMETERS			E in. (mm)	
		A To tool	B To bushings/adaptor			O.D. <sub>2</sub> in. (mm)	I.D. in. (mm)	D in. (mm)		
<b>Bant-A-Matic Drills (figure 1)</b>										
8245/8345-202-1 & 2	35918	1-7/16"-18	3/4"-16	5.7	1.6	1.4	1.3	1.0	4.2	
8245/8345-B45-1 & 2		UNEF-2B L.H.	UNF-2B L.H.	(145)	(41)	(36)	(33)	(25)	(107)	
8245/8345-B30-1 & 2										
8245/8345-B8-1 & 2										
8245/8345-101-1 & 2										
8245/8345-202-3										
8245/8345-101-3	35917	1-7/16"-18	3/4"-16	6.4	1.6	1.4	1.3	1.1	4.8	
8245/8345-B45-3		UNEF-2B L.H.	UNF-2B L.H.	(163)	(41)	(36)	(33)	(28)	(122)	
8245/8345-B30-3										
8245/8345-B8-3	40804	1-7/16"-18	3/4"-16	7.5	1.6	1.4	1.3	1.1	6.0	
		UNEF-2B L.H.	UNF-2B L.H.	(191)	(41)	(36)	(33)	(28)	(152)	
<b>Par-A-Matic Drills* (figure 1)</b>										
8255/8355-171-1 & 2	35722	2"-16 UN-2B L.H.	3/4"-16 UNF-2B L.H.							
8255/8355-A50-1 & 2	or			4.75	2.2	1.9	1.75	1.1	3.0	
8255/8355-A28-1 & 2	35720	2"-16 UN-2B L.H.	1"-14 UNF-2B L.H.	(121)	(56)	(48)	(44)	(28)	(76)	
8255/8355-A21-1 & 2	or									
	36495	2"-16 UN-2B L.H.	1-1/4"-12 UNF-2B L.H.							
8255/8355-A14-1 & 2										
8255/8355-101-1 & 2										
8255/8355-A8-1 & 2	38852	2"-16 UN-2B L.H.	3/4"-16 UNF-2B L.H.							
8255/8355-A5-1 & 2	or									
8255/8355-171-3	38853	2"-16 UN-2B L.H.	1"-14 UNF-2B L.H.	6.1	2.2	1.9	1.75	1.1	4.4	
8255/8355-101-3	or			(155)	(56)	(48)	(44)	(28)	(112)	
8255/8355-A50-3	38854	2"-16 UN-2B L.H.	1-1/4"-12 UNF-2B L.H.							
8255/8355-A28-3										
8255/8355-A21-3										
	40810	2"-16 UN-2B L.H.	3/4"-16 UNF-2B L.H.							
8255/8355-A14-3	or			7.25	2.2	1.9	1.75	1.1	5.5	
8255/8355-A8-3	40811	2"-16 UN-2B L.H.	1"-14 UNF-2B L.H.	(184)	(56)	(48)	(44)	(28)	(140)	
8255/8355-A5-3	or									
	40812	2"-16 UN-2B L.H.	1-1/4"-12 UNF-2B L.H.							
<b>Super Par-A-Matic Drills (figure 2)</b>										
8265-170-1 & 3										
8265-46-1 & 3	40584-1	2-1/2"-16	2-3/8"-16	6.0	2.9	2.7	2.0	0.88	3.9	
8265-25-1 & 3		UN-2B L.H.	UN-2B L.H.	(152)	(74)	(69)	(51)	(22)	(99)	
8265-12-1 & 3										
8265101-1 & 3	40584-2	2-1/2"-16	2-3/8"-16	7.8	2.9	2.7	2.0	0.88	5.7	
8265-6-1 & 3		UN-2B L.H.	UN-2B L.H.	(198)	(74)	(69)	(51)	(22)	(145)	
8265-3-1 & 3										
<b>Hi-Thrust Drills (figure 2)</b>										
8670-( )-3	45188	2-7/8"-16	2-3/8"-16	9.8	3.6	3.6	2.9	1.0	6.1	
		UN-2B L.H.	UN-2B L.H.	(249)	(92)	(92)	(74)	(25)	(155)	

\*Nose housing used will depend upon the size of the Portable or Stationary Bushing Adapter needed.

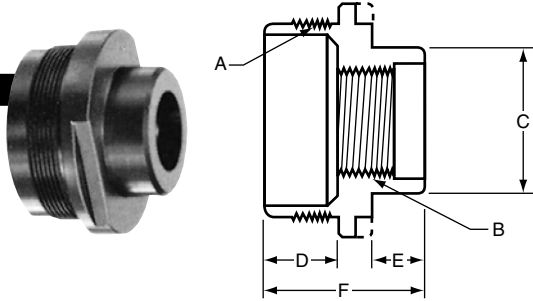
NOTE: Nose housing with bushing adapter may be used as a drill guide in conjunction with either a Collet-type Foot Bracket or a Block Clamp. Use appropriate press-fit drill guide bushing in a Stationary Bushing Adapter or Portable Bushing Adapter.

Nose Housings of significant weight: 44971-1 = 1.0 lbs.(.45 kg), 44971-2 = 1.5 lbs.(.68 kg), 45188 = 7.5 lbs.(3.4 kg).



## Mounting Accessories

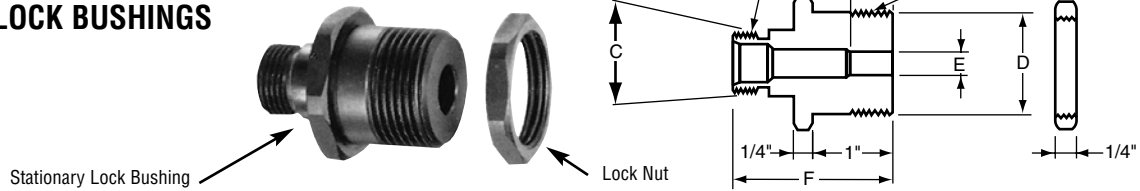
### NOSE HOUSING ADAPTERS\*



NOSE HOUSING ADAPTER	THREAD SIZES					
	A To nose housing	B To stationary/portable bushing	C in. (mm)	D in. (mm)	E in. (mm)	F in. (mm)
33812		3/4"-16 UNF-2B L.H.	1.75 (44)			
33751		1"-14 UNF-2B L.H.	1.75 (44)	1.0	0.625	1.875
33764	2-3/8"-16 UN-2A L.H.	1-1/4"-12 UNF-2B L.H.	1.75 (44)	(25.4)	(16)	(47)
34075		1-1/2"-12 UNF-2B L.H.	2.0 (51)			
46695		2"-16 UN-2B L.H.	2.75 (69)			

\*Use with nose mounting for Super Par-A-Matic and Hi-Thrust Drills. (See Page 47)

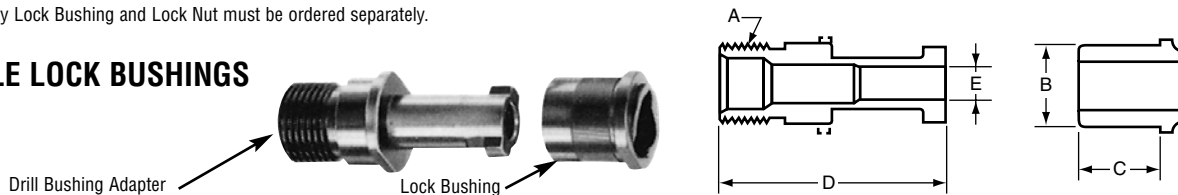
### STATIONARY LOCK BUSHINGS



DRILL DIA. RANGE INCHES	STATIONARY LOCK BUSHING ADAPTER, PART NO.	LOCK NUT PART NO.	"A" THREAD SIZE (TO NOSE HOUSING)	"B" MOUNTING THREAD	"C" PILOT DIA. INCHES (+.0000, -.0005)	"D" MOUNT PILOT DIA., INCHES (+.000, -.002)	"E" PRESS FIT DIA., FOR HEADLESS PRESS FIT DRILL BUSHING, INCHES (+.0005, -.0000)	"F" LENGTH OF STATIONARY LOCK BUSHING ADAPTER, INCHES
.0135-.0995	36646	38850 (1-1/2 HEX)	3/4"-16 UNF-2A, L.H.	1-1/4"-12 UNF-2A	.8115	1.248	.2036	2.000
.0980-.1406	36647	38850 (1-1/2 HEX)	3/4"-16 UNF-2A, L.H.	1-1/4"-12 UNF-2A	.8115	1.248	.2506	2.000
.1250-.1935	36648	38850 (1-1/2 HEX)	3/4"-16 UNF-2A, L.H.	1-1/4"-12 UNF-2A	.8115	1.248	.3131	2.000
.1875-.3160	36649	38850 (1-1/2 HEX)	3/4"-16 UNF-2A, L.H.	1-1/4"-12 UNF-2A	.8115	1.248	.5007	2.000
.1875-.3160	36650	38850 (1-1/2 HEX)	1"-14 UNF-2A, L.H.	1-1/4"-12 UNF-2A	1.0615	1.248	.5007	2.187
.3125-.5312	36651	38850 (1-1/2 HEX)	1-1/4"-12 UNF-2A, L.H.	1-1/4"-12 UNF-2A	1.3115	1.248	.7508	2.187
.5000-.7656	46088	46089 (1-5/8 HEX)	1-1/2"-12 UNF-2A, L.H.	1-1/2"-12 UNF-2A	1.5710	1.498	1.0008	2.187

NOTE: Stationary Lock Bushing and Lock Nut must be ordered separately.

### PORTABLE LOCK BUSHINGS



DRILL DIA. RANGE INCHES	PORTABLE DRILL BUSHING ADAPTER, PART NO.	LOCK BUSHING PART NO.	"A" THREAD SIZE (TO NOSE HOUSING)	"B" LOCK BUSHING PRESS FIT DIA., INCHES, +.000, -.001	"C" LENGTH OF PRESS FIT DIA. B, INCHES	"D" LENGTH OF PORTABLE DRILL BUSHING, INCHES	"E" PRESS FIT DIA. FOR HEADLESS PRESS FIT DRILL BUSHING, IN., +.0005, -.0000
.0135-.0995	35214	35215	3/4"-16 UNF-2A, L.H.	0.686	0.750	2.172	0.2036
.0980-.1406	35216	35217	3/4"-16 UNF-2A, L.H.	0.749	0.750	2.172	0.2506
.1250-.1935	35218-1	35219	3/4"-16 UNF-2A, L.H.	0.811	0.750	2.172	0.3131
.1875-.3160	35220	35221-1	1"-14 UNF-2A, L.H.	0.999	0.750	2.203	0.5007
.3125-.5312	35222-1	35223	1-1/4"-12 UNF-2A, L.H.	1.374	1.000	2.516	0.7508
.5000-.7656	35224	35225	1-1/2"-12 UNF-2A, L.H.	1.749	1.125	2.656	1.0008

NOTE: Portable Drill Bushing and Lock Bushing must be ordered separately.



***Dimensional Drawings***

**Dimensional CAD downloads are available in a variety of formats. 2D and 3D DXF, IGS, AUTOCAD R12 and AUTOCAD R13 are a few examples. Visit the following websites to download your format of choice.**

**[www.irtools.com](http://www.irtools.com)**  
**(Drilling-Fixtured Downloads)**

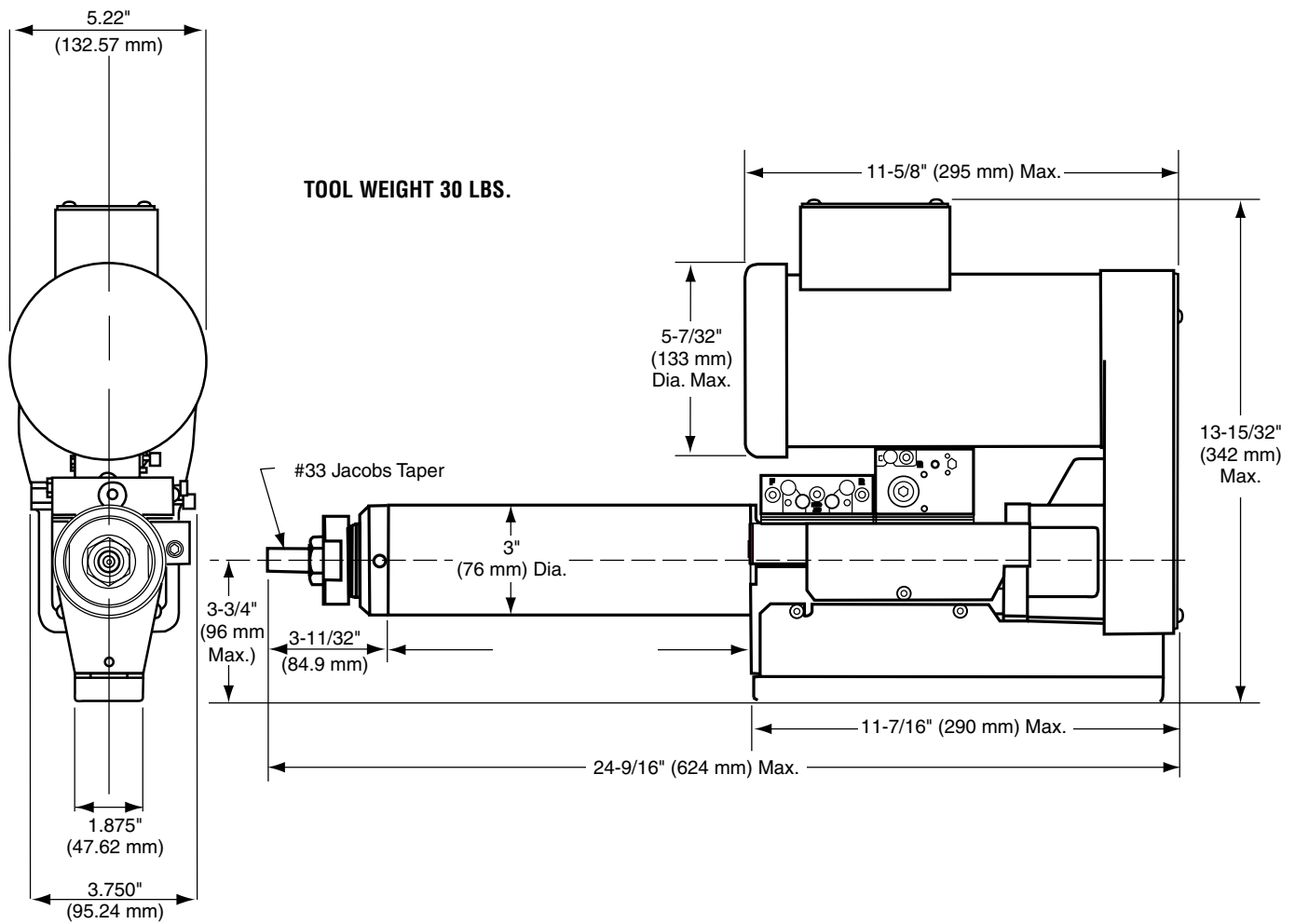
**or**

**[www.arozone.com](http://www.arozone.com)**  
**(Literature-Automatic Machining Tools)**

**Dimensional Data**



**SERIES 34A, 54C & 74B ELECTRA-FEED DRILLS**

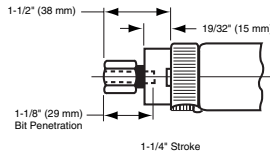




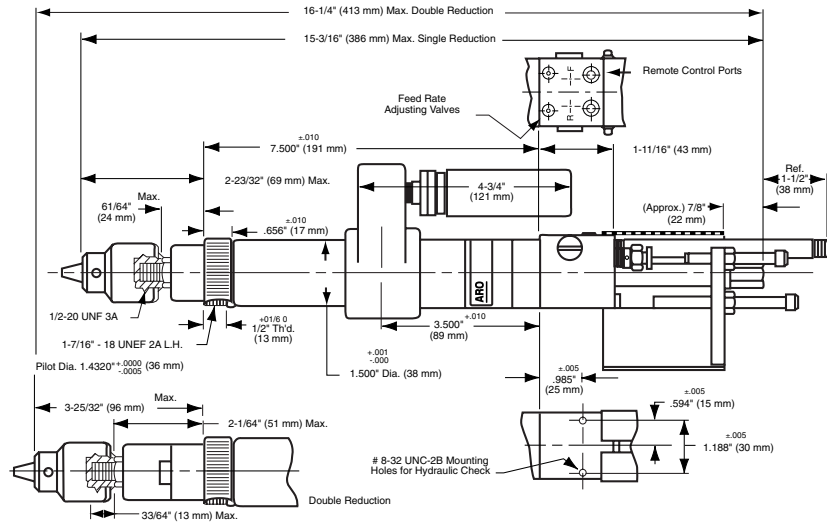
**Dimensional Data**

**BANT-A-MATIC DRILLS  
 8245-B( )-1 AND 8345-B( )-1**

**TOOL WEIGHT 4.2 LBS.**

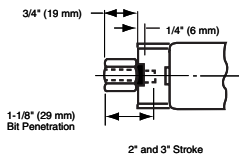


Shows built-in-collet used on 19,000 RPM Tools.

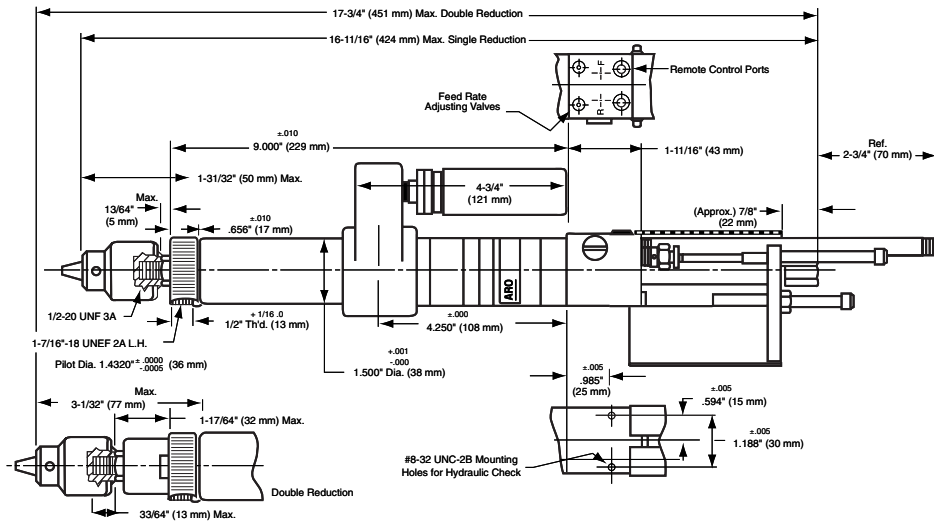


**BANT-A-MATIC DRILLS  
 8245-B( )-2 AND 8345-B( )-2**

**TOOL WEIGHT 4.8 LBS.**

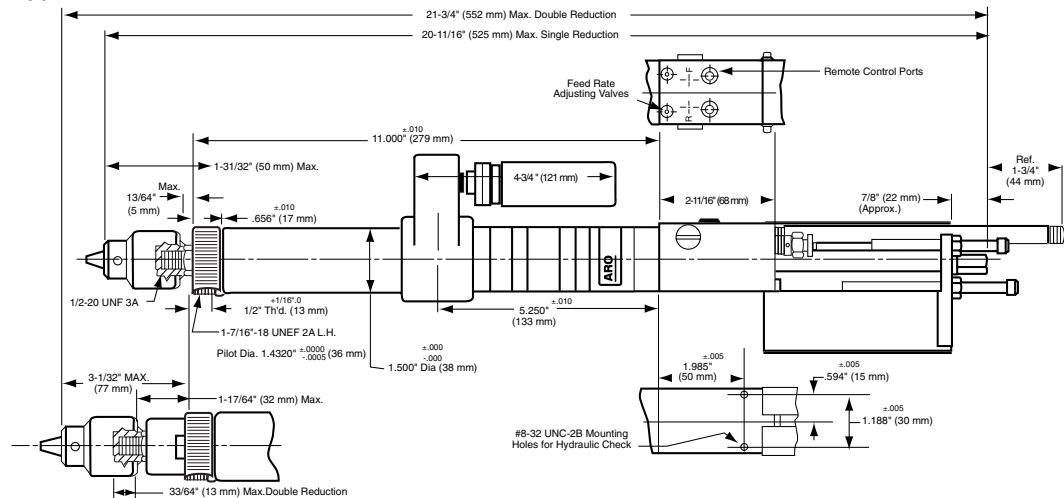
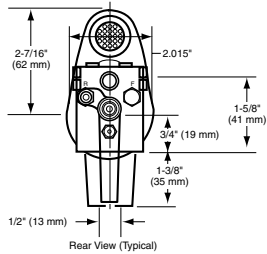


Shows built-in-collet used on 19,000 RPM Tools.



**BANT-A-MATIC DRILLS  
 8245-B( )-3 AND 8345-B( )-3**

**TOOL WEIGHT 5.8 LBS.**

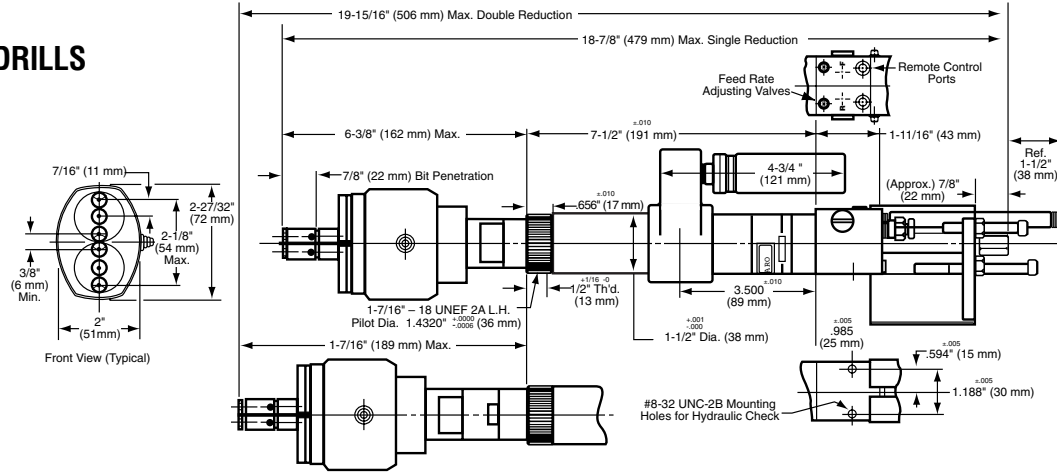


**Dimensional Data**



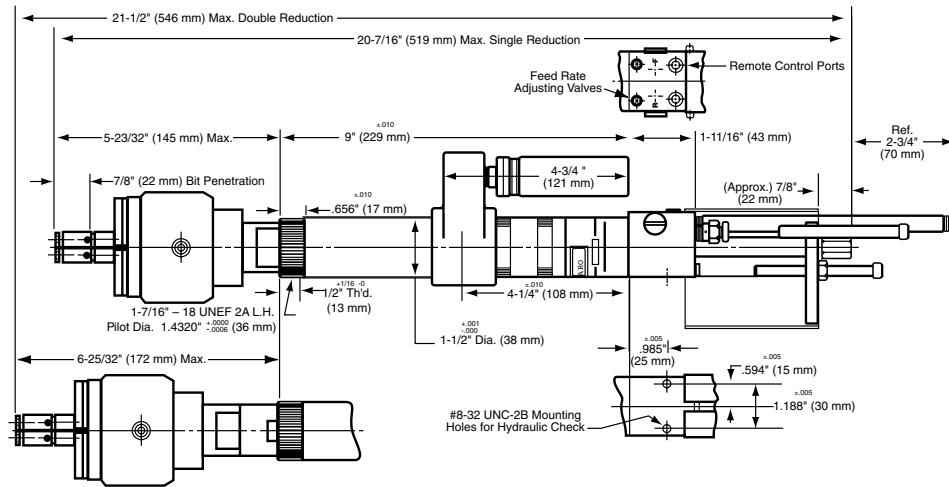
**BANT-A-MATIC TWIN DRILLS  
8248-B( )-1**

**TOOL WEIGHT 5.7 LBS.**



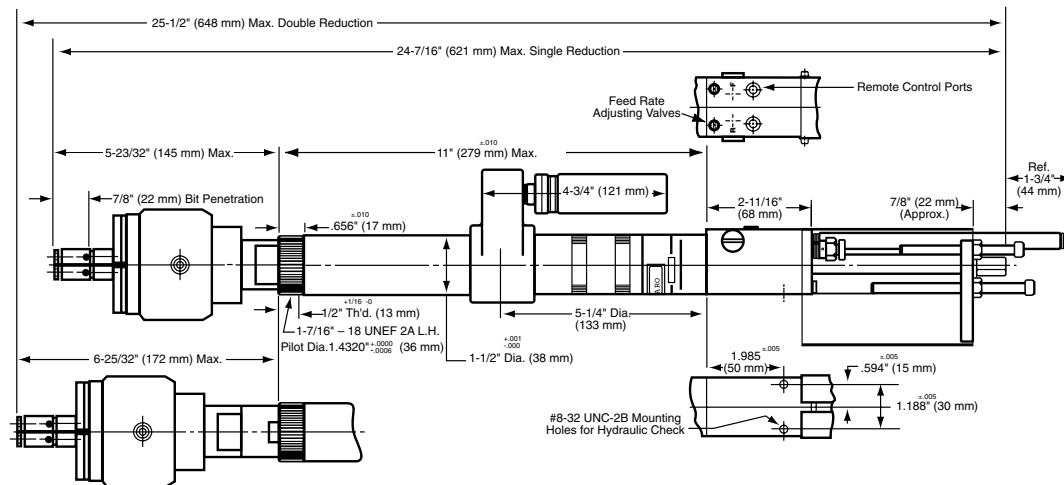
**BANT-A-MATIC TWIN DRILLS  
8248-B( )-2**

**TOOL WEIGHT 6.3 LBS.**



**BANT-A-MATIC TWIN DRILLS  
8248-B( )-3**

**TOOL WEIGHT 7.3 LBS.**

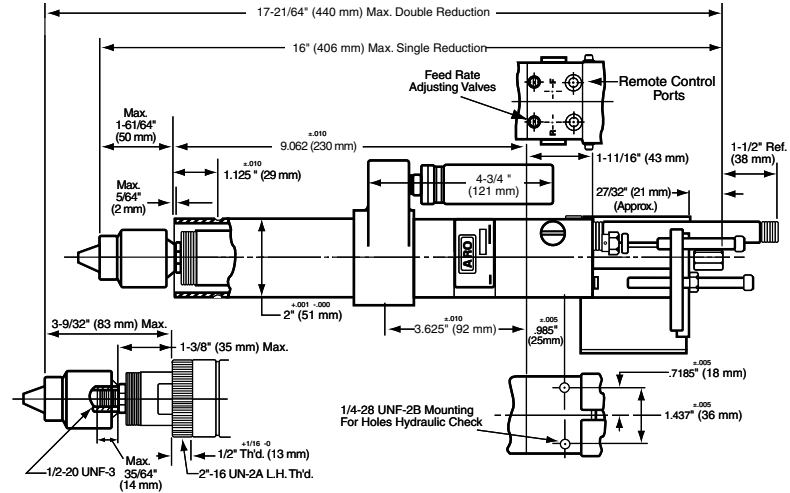
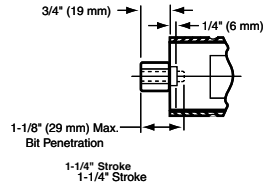




**Dimensional Data**

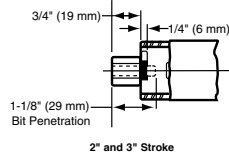
**PAR-A-MATIC DRILLS  
 8255-A (-)1 AND 8355-A (-)1**

Shows built-in-collet used on 17,000 RPM Tools.

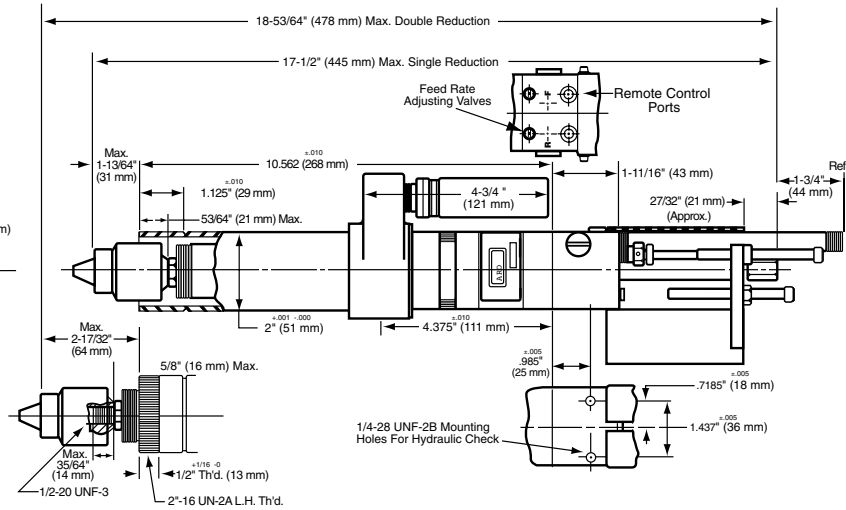


**PAR-A-MATIC DRILLS  
 8255-A (-)2 AND 8355-A (-)2**

TOOL WEIGHT 8.0 LBS.

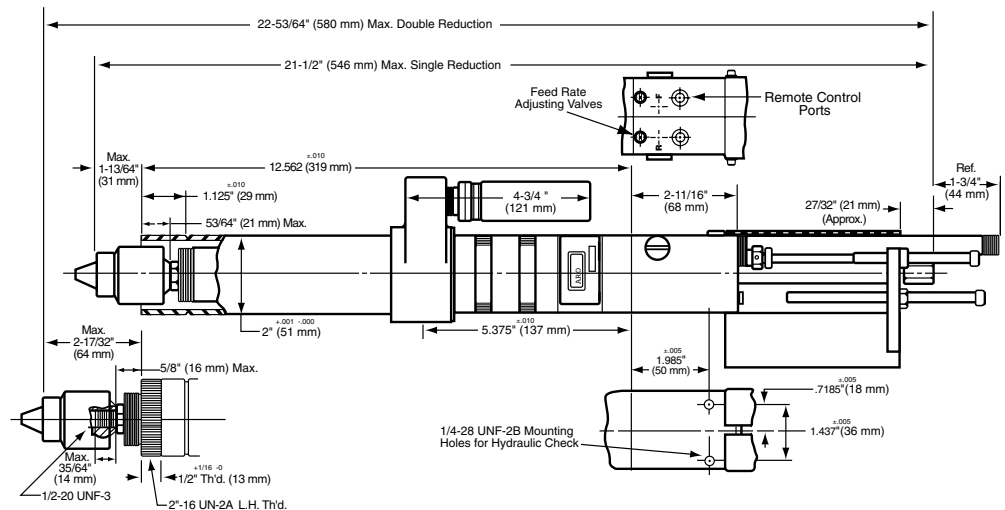
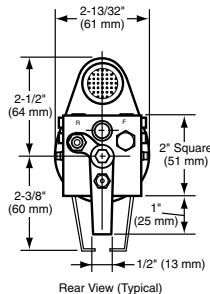


Shows built-in-collet used on 19,000 RPM Tools.



**PAR-A-MATIC DRILLS  
 8255-A (-)3 AND 8355-A (-)3**

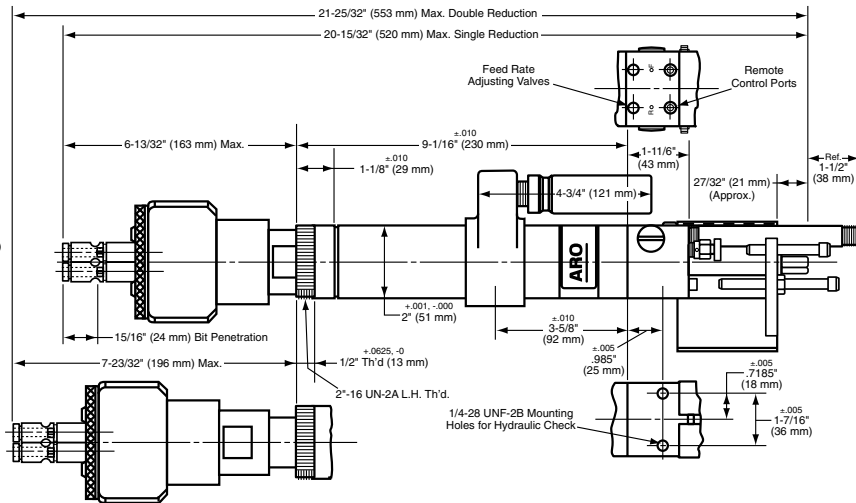
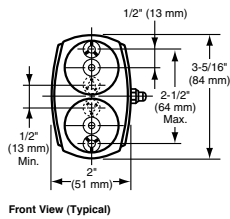
TOOL WEIGHT 9.5 LBS.



**Dimensional Data**

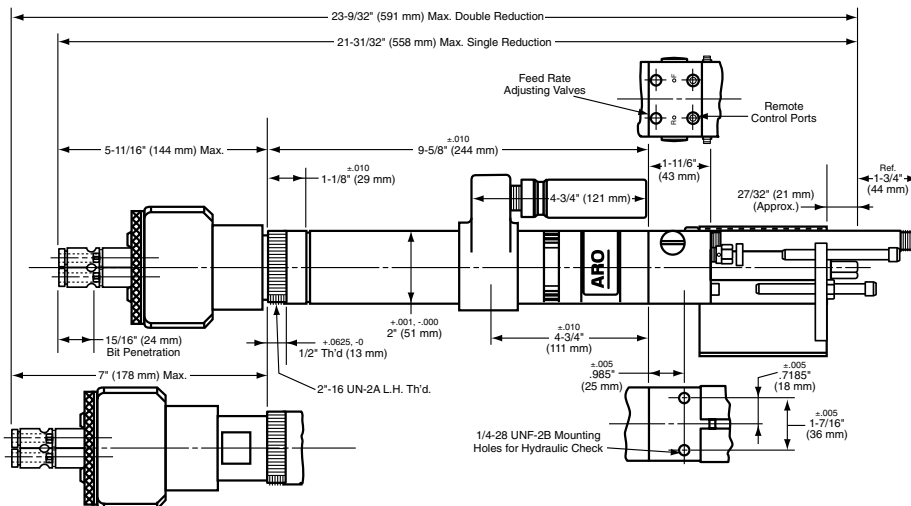
**PAR-A-MATIC TWIN DRILLS  
8258-C( )-1**

TOOL WEIGHT 9.6 LBS.



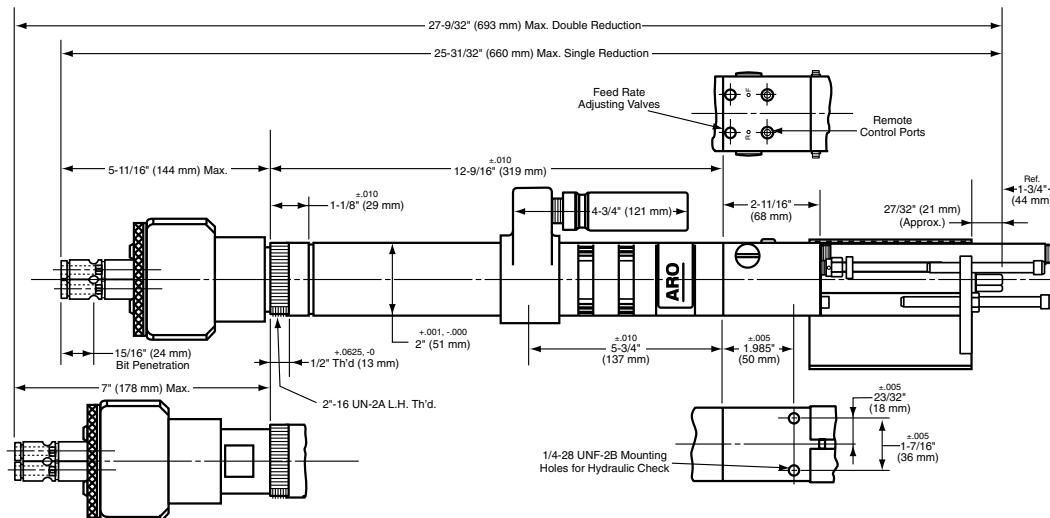
**PAR-A-MATIC TWIN DRILLS  
8258-C( )-2**

TOOL WEIGHT 10.1 LBS.



**PAR-A-MATIC TWIN DRILLS  
8258-C( )-3**

TOOL WEIGHT 11.6 LBS.





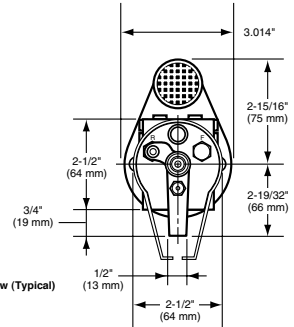
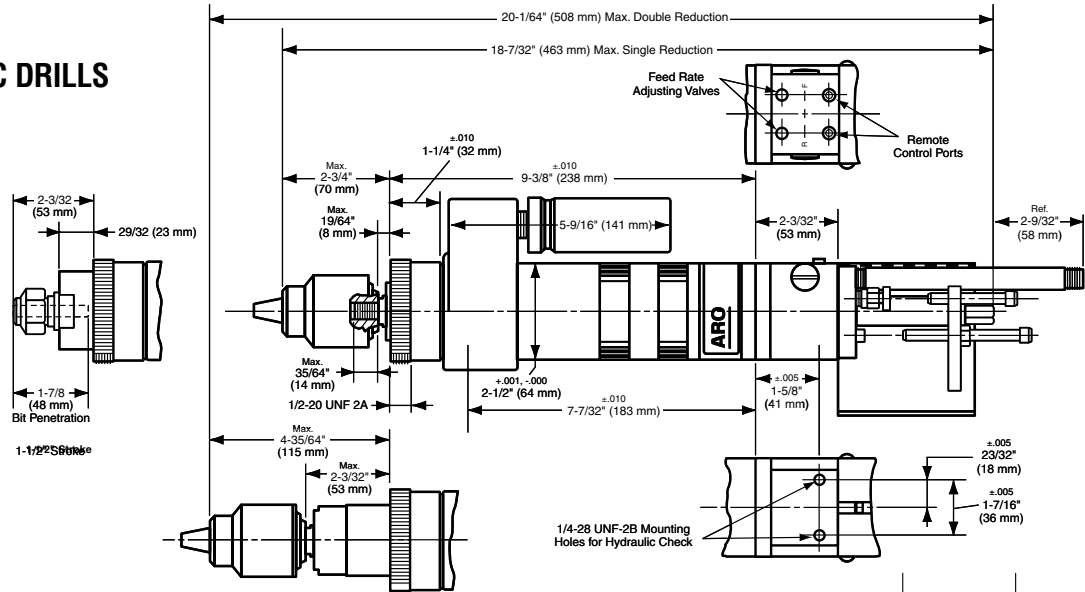


**Dimensional Data**

**SUPER PAR-A-MATIC DRILLS  
8265-( )-1**

**TOOL WEIGHT 13 LBS.**

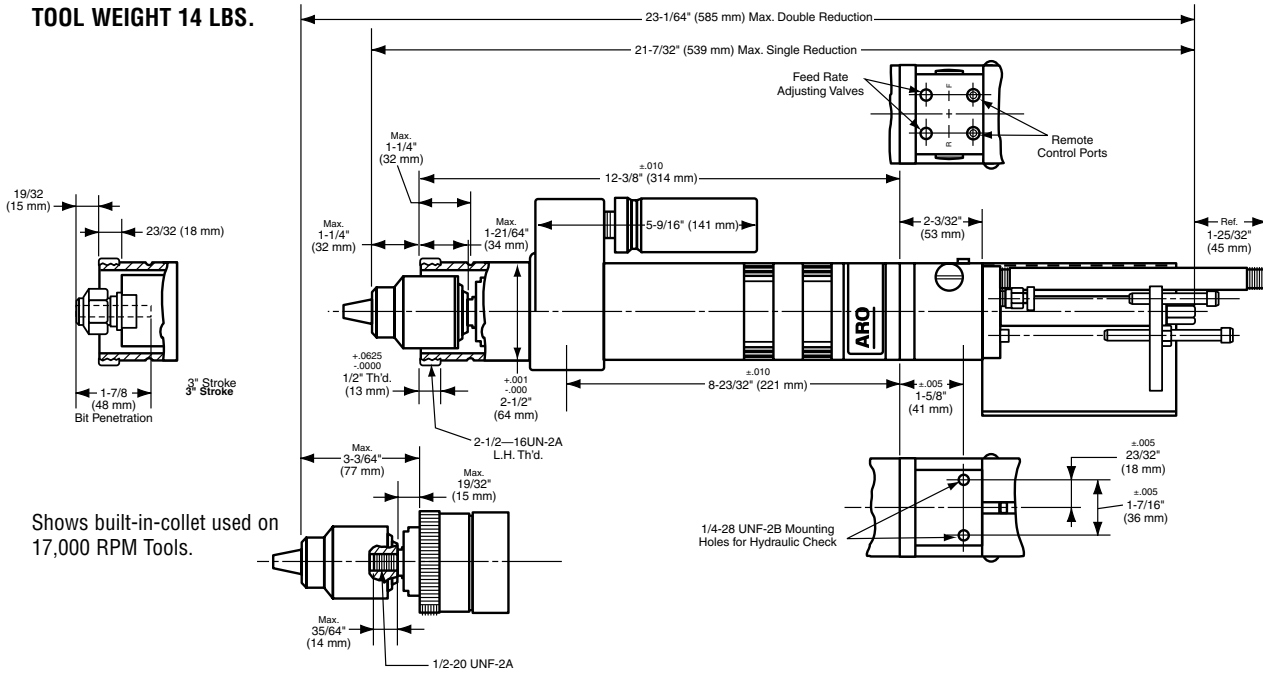
Shows built-in-collet used on 17,000 RPM Tools.



**SUPER PAR-A-MATIC DRILLS  
8265-( )-3**

**TOOL WEIGHT 14 LBS.**

Shows built-in-collet used on 17,000 RPM Tools.

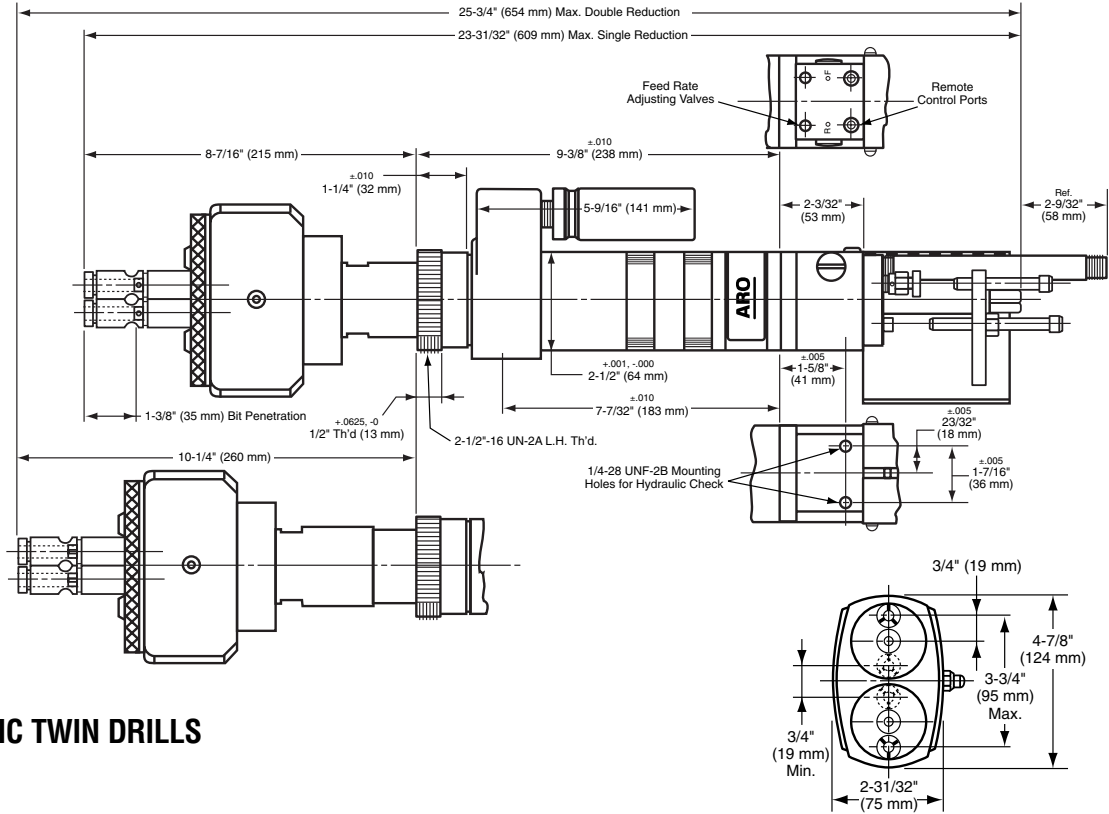


**Dimensional Data**



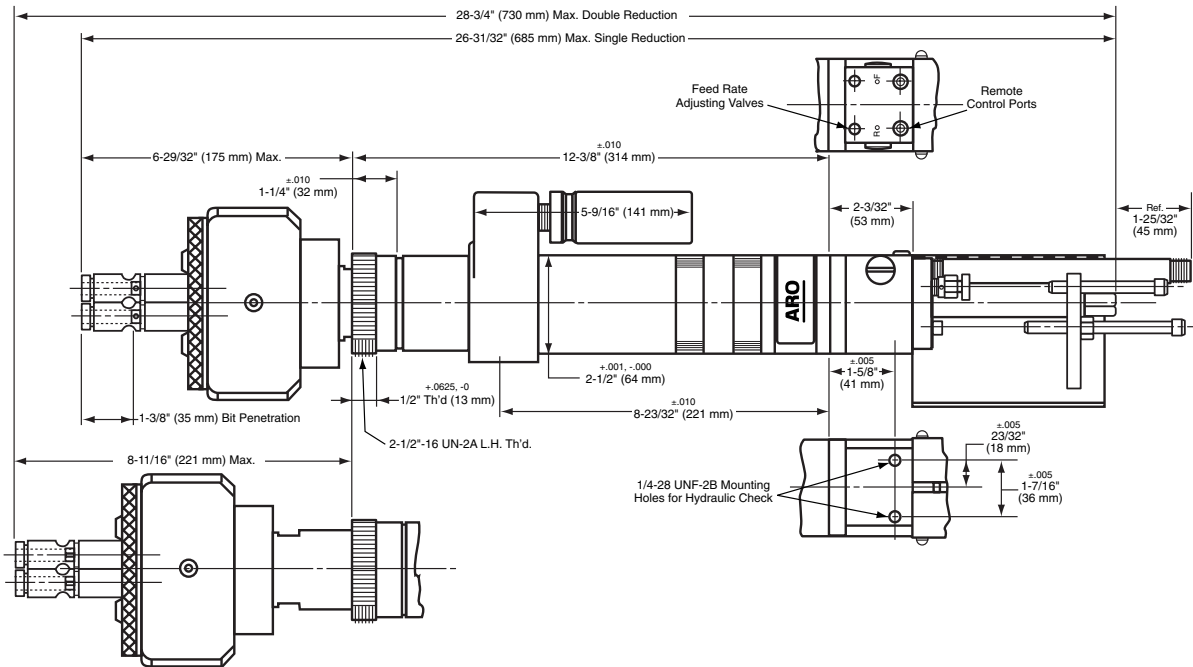
**SUPER PAR-A-MATIC TWIN DRILLS  
 8268-A( )-1**

TOOL WEIGHT 18.5 LBS.



**SUPER PAR-A-MATIC TWIN DRILLS  
 8268-A( )-3**

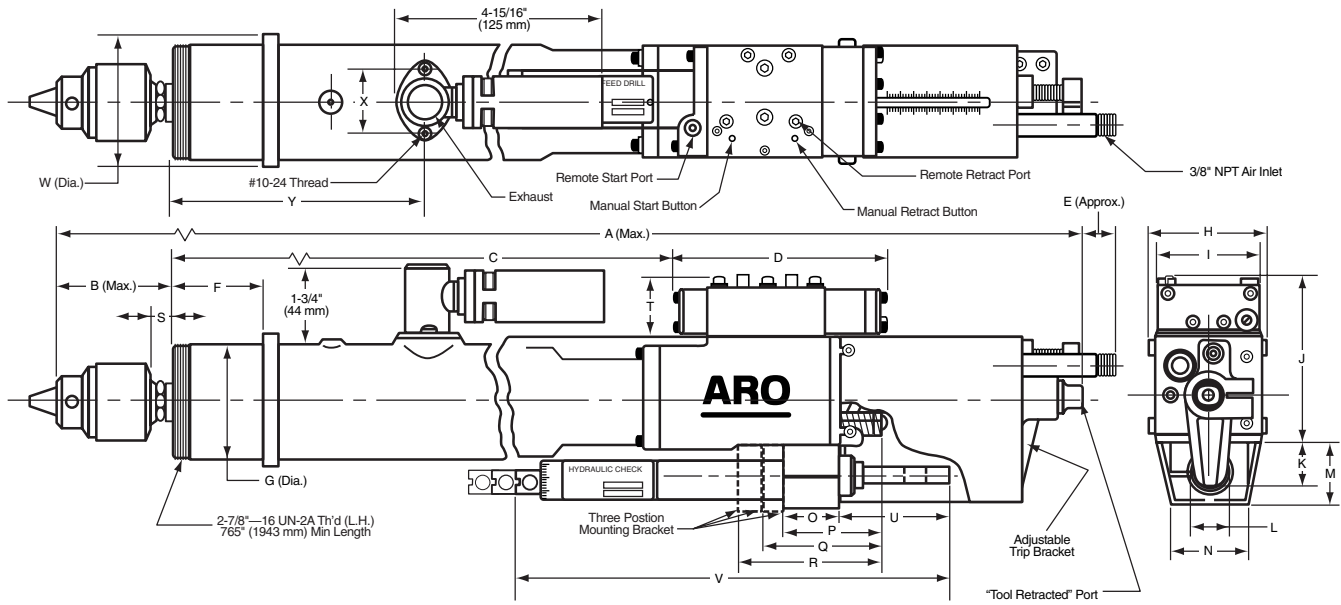
TOOL WEIGHT 19.5 LBS.





**Dimensional Data**

**HI-THRUST DRILLS  
 8670-( )-3**

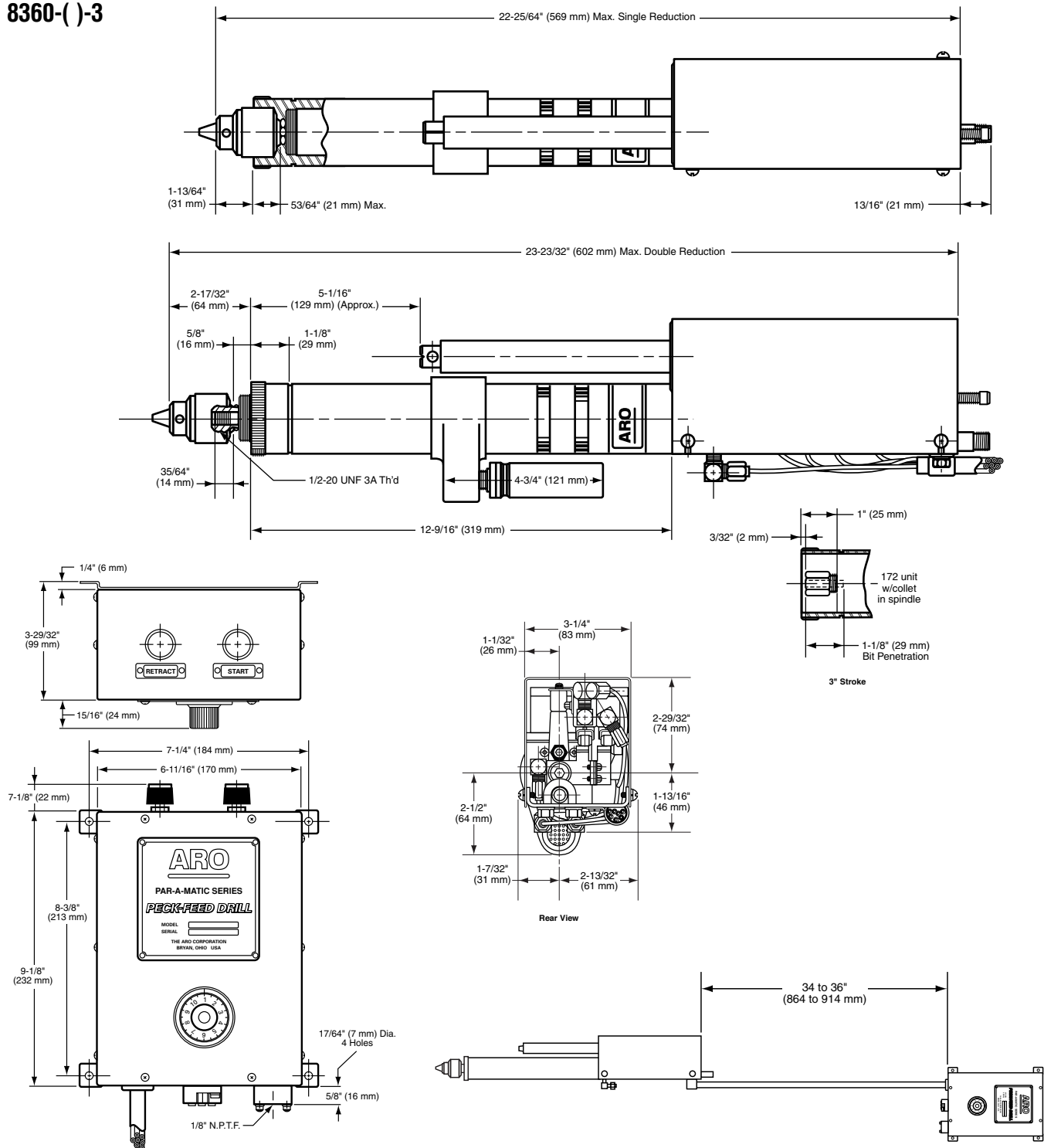


**8670 Specifications**

A		B	C	D	E			F	G	H	I	J	K	L		
3" Stroke					3" Stroke											
in.	27-3/4	3-21/32	14	5-5/16	1-1/16	2.24-2.26	2.872-2.874	2.784	2.5	4.312	61/64	.75				
mm	705	93	355	135	27	56.9-57.4	72.95-73.0	70	64	110	24	19				
M	N	O	P	Q	R	S	T	U			V			W	X	Y
								Hydraulic Check								
								1" Stroke	2" Stroke	3" Stroke	1" Stroke	2" Stroke	3" Stroke			
1.5	2.0	1.25	2.375	2.937	3.5	15/32	1.5	1.937	2.937	3.937	7.875	10.875	13.875	3.25	1.562	6.344
38	51	32	60	75	89	12	38	49	75	100	200	276	352	83	40	161

**Dimensional Data**

**PAR-A-MATIC PECK DRILLS  
 8360-( )-3**

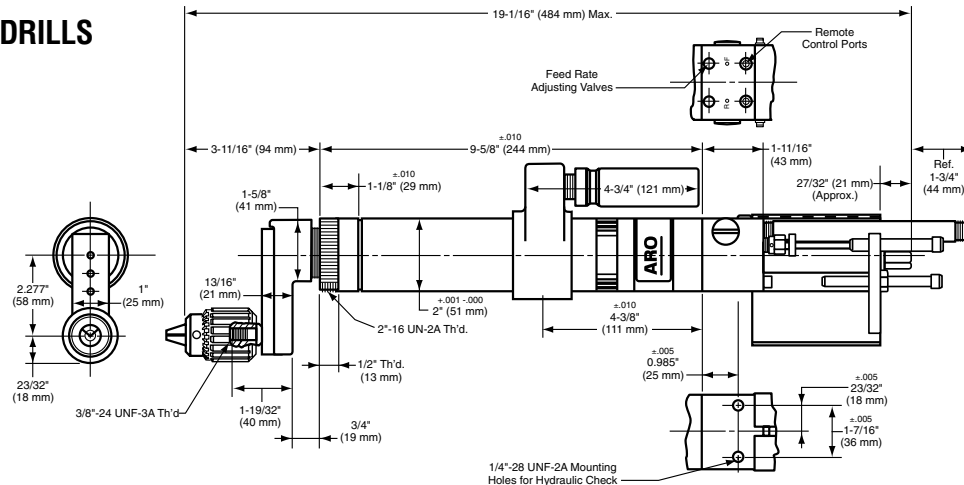




**Dimensional Data**

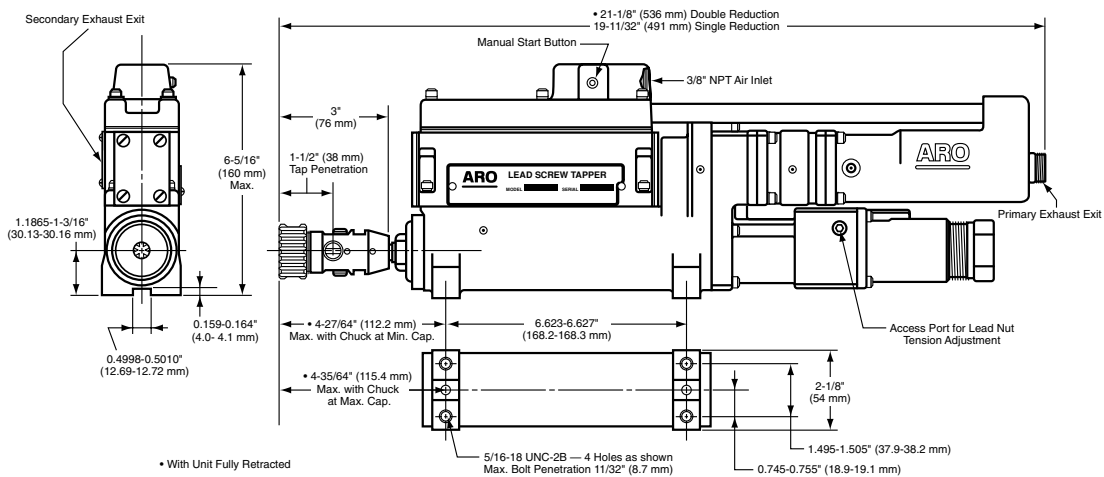
**PAR-A-MATIC OFFSET DRILLS  
 8266-A( )-2**

**TOOL WEIGHT 8.6 LBS.**



**LEAD SCREW TAPPERS  
 8655-B THRU 8659-B**

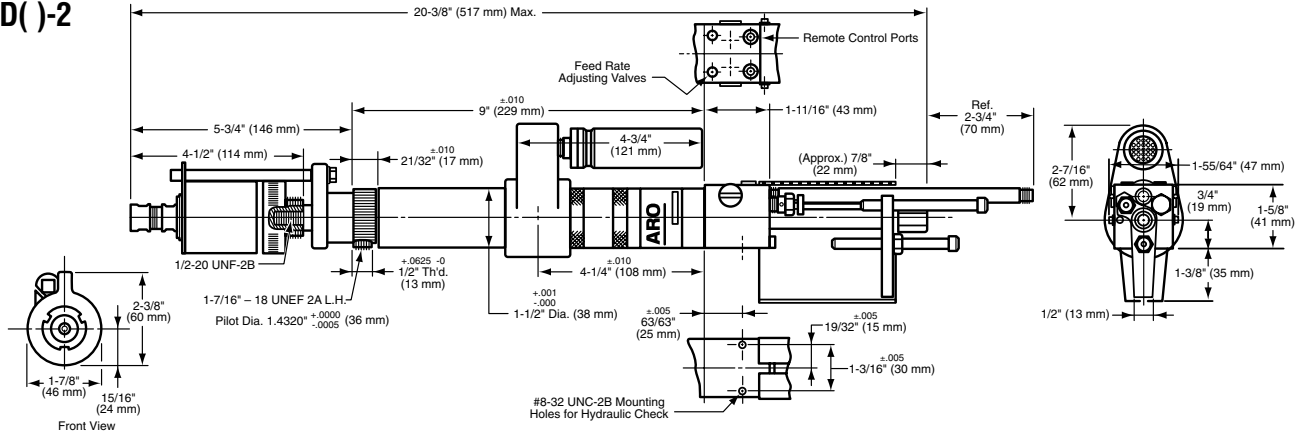
**TOOL WEIGHT 17 LBS.**



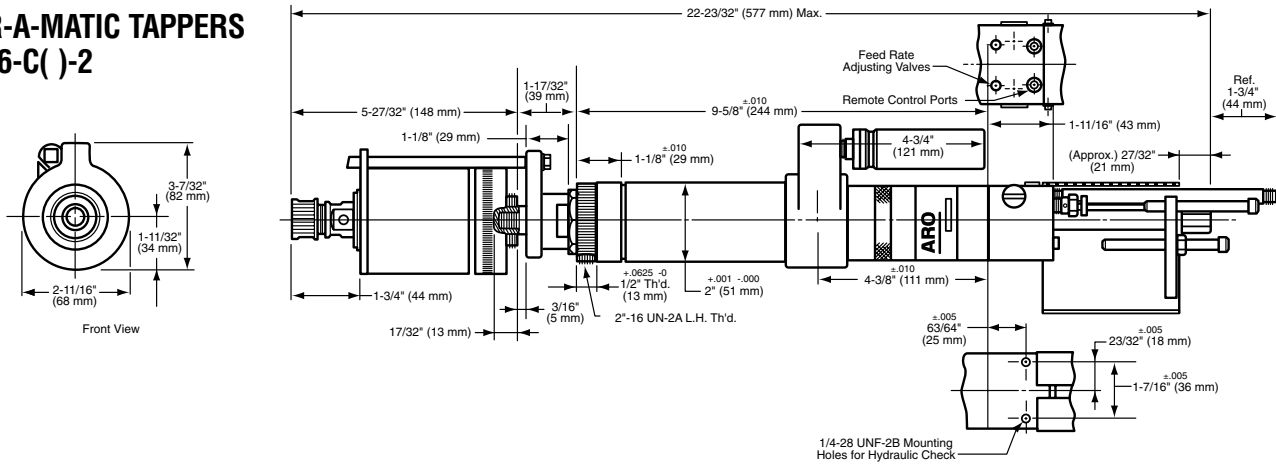
• With Unit Fully Retracted

**Dimensional Data**

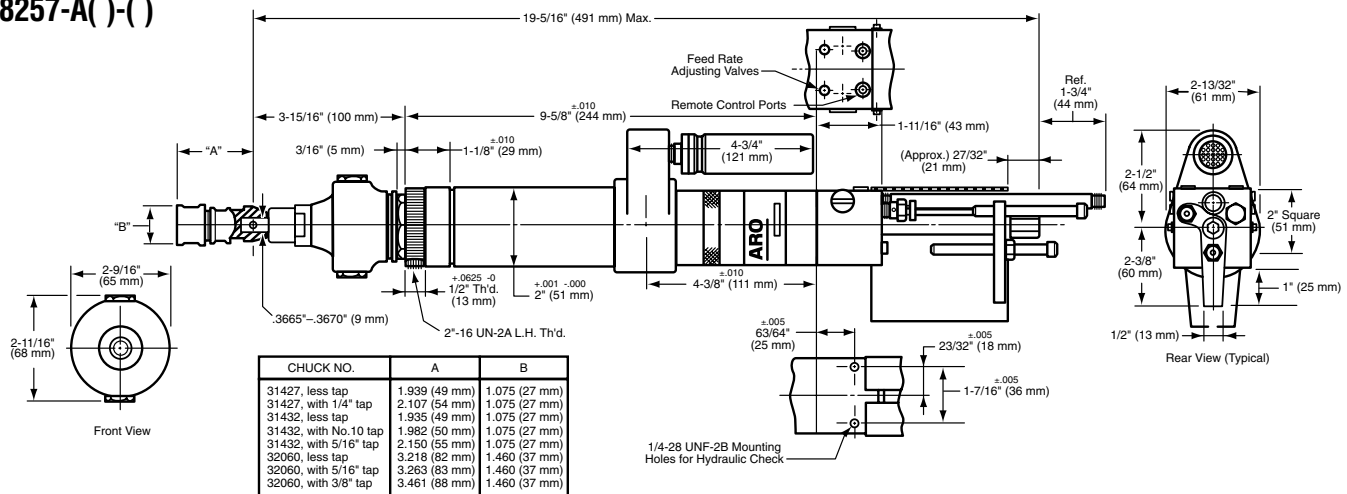
**BANT-A-MATIC TAPPERS  
8246-D (-)-2**



**PAR-A-MATIC TAPPERS  
8256-C (-)-2**



**PAR-A-MATIC TAPPERS  
8257-A (-)-(-)**





## Service Kits

ARO Service Kits are a convenient and economical way to perform in-house preventative maintenance and minimize tool repair down-time. Service Kits are available for nearly all model ARO Automatic Machining Tools. Each kit contains all of the replacement parts needed to properly perform preventative maintenance on a tool to keep it operating "like new". They also serve as an easy method to manage and organize spare parts inventory.

Each part in the service kit is individually wrapped and identified, and packaged in an easy-to-store clearly labeled box. The appropriate tool service manual, parts list, spindle oil and grease are also included.



### ORDER INFORMATION

#### BANT-A-MATIC SERIES

MODELS	DESCRIPTION	KIT NUMBER
8245-B8, 8245-B45 & 8245-202	Drills	
8246-D8	Tapper	
8345-B8, 8345-B45 & 8345-202	Drills	41205-1
8248-B8 & 8248-B45	Twin Drills	
8245-B30 & 8245-101	Drills	
8246-D5	Tapper	
8345-B30 & 8345-101	Drills	41310-1
8248-B30	Twin Drill	

#### PAR-A-MATIC SERIES

MODELS	DESCRIPTION	KIT NUMBER
All 8255-A	Drills	
All 8256-C	Tappers	
All 8257-A	Tappers	
All 8258-C	Twin Drills	
All 8266-A	Offset Drills	41325
All 8355-A	Drills	
All 8360-A	Peck Drills	

#### SUPER PAR-A-MATIC SERIES

MODELS	DESCRIPTION	KIT NUMBER
All 8265	Drills	
All 8268-A	Twin Drills	41327

#### HI-THRUST SERIES

MODELS	DESCRIPTION	KIT NUMBER
All 8660	Drills	45831
All 8670	Drills	45832

#### LEAD SCREW TAPPERS

MODELS	DESCRIPTION	KIT NUMBER
All 8655-B	Tappers	
All 8656-B	Tappers	
All 8657-B	Tappers	45782
All 8658-B	Tappers	
All 8659-B	Tappers	

#### Series 34A, 54C & 74B

MODELS	DESCRIPTION	KIT NUMBER
49594	Kit for Main Frame	
49595	Kit for Manifold Assembly	
49596	Kit for Control Assembly	

Refer to operator's manual for service kits of older model tools not herein listed.

**Spindle Accessories**

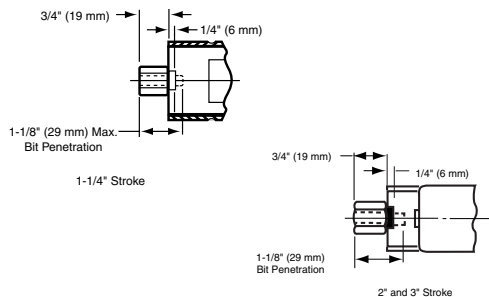


**COLLET SELECTION FOR HIGH SPEED DRILL UNITS**

Collets, built into the spindle, are furnished as standard equipment on all highest speed feed tools. This provides for superior gripping, better balance and lower runout of smaller cutters typically used at these high speeds.

**FOR BANT-A-MATIC AND PAR-A-MATIC TOOLS**

Models: 8245-203-( ), 8255-172-( ), 8360-172-3, 8345-203-( ) and 8355-172-( ).



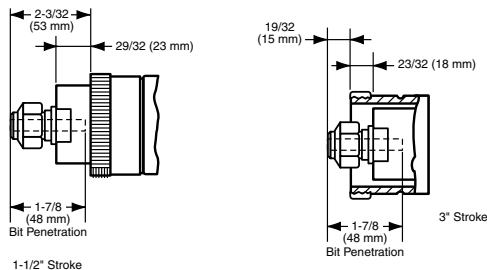
Standard Equipment →

COLLET INSERT NO.	NOMINAL SIZE	MINIMUM CAPACITY		MAXIMUM CAPACITY	
		INCHES	MM	INCHES	MM
31812-1	3/64	1/64	0.40	3/64	1.19
31812-2	5/64	3/64	1.19	5/64	1.98
31812-3	3/32	1/16	1.59	3/32	2.38
31812-4	1/8	3/32	2.38	1/8	3.18
31812-5	5/32	1/8	3.18	5/32	3.97
31812-6	3/16	5/32	3.97	3/16	4.76
31812-7	7/32	3/16	4.76	7.32	5.56
<b>31812-8</b>	<b>1/4</b>	<b>7/32</b>	<b>5.56</b>	<b>1/4</b>	<b>6.35</b>

Order other available collet sizes shown above as, less 31812-8 with 31812-( ).

**FOR SUPER PAR-A-MATIC TOOLS**

Models: 8265-171-( ).



Standard Equipment →

COLLET INSERT NO.	NOMINAL SIZE	MINIMUM CAPACITY		MAXIMUM CAPACITY	
		INCHES	MM	INCHES	MM
32968-1	1/8	1/64	0.40	3/64	1.19
32968-2	5/32	3/64	1.19	5/64	1.98
32968-3	3/16	1/16	1.59	3/32	2.38
32968-4	7/32	3/32	2.38	1/8	3.18
32968-5	1/4	1/8	3.18	5/32	3.97
32968-6	9/32	5/32	3.97	3/16	4.76
32968-7	5/16	3/16	4.76	7.32	5.56
32968-8	11/32	7/32	5.56	1/4	6.35
<b>32968-9</b>	<b>3/8</b>	<b>11/32</b>	<b>8.73</b>	<b>3/8</b>	<b>9.53</b>

Order other available collet sizes shown above as, less 32968-9 with 32968-( ).





*Notes*

