



80218605
Edition 2
May 2014

Air Drill

**P33 Series, Modular and Non-Modular,
Pistol, Straight and Angle**

Parts Information

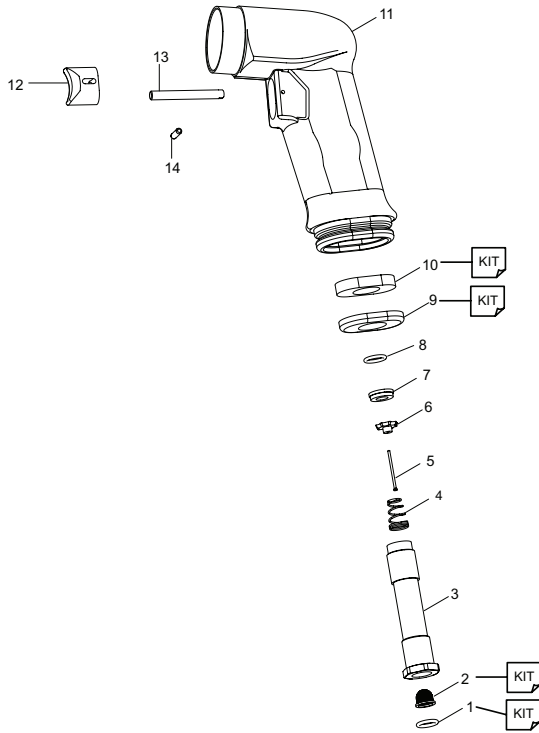


Save These Instructions

P33 Pistol, Straight and Angle Drills

Model	Full Rear Block	Rear Block	Motor Block	Output Module	Angle Head
P33006-DMSL	130456	130455	130483	128161	
P33006-PMSL	130458	130457	130483	128161	
P33011-DMSL	130456	130455	130483	128162	
P33011-PMSL	130458	130457	130483	128162	
P33016-DMSL	130456	130455	130483	128163	
P33016-PMSL	130458	130457	130483	128163	
P33022-DMSL	130456	130455	130483	128164	
P33022-PMSL	130458	130457	130483	128164	
P33032-DMSL	130456	130455	130483	128165	
P33032-DMSL-B	130526	130525	130483	128164	
P33032-PMSL	130458	130457	130483	128165	
P33054-DMSL	130456	130455	130483	128167	
P33054-DMSL-B	130526	130525	130483	128167	
P33054-PMSL	130458	130457	130483	128167	
P33006-DSL	130456	130455	130483	128152	
P33006-PSL	130458	130457	130483	128152	
P33011-DSL	130456	130455	130483	128161	
P33010-PSL	130458	130457	130483	128153	
P33016-DSL	130456	130455	130483	128154	
P33015-PSL	130458	130457	130483	128154	
P33022-DSL	130456	130455	130483	128155	
P33020-PSL	130458	130457	130483	128155	
P33032-DSL	130456	130455	130483	128156	
P33030-PSL	130458	130457	130483	128156	
P33054-DSL	130456	130455	130483	128158	
P33050-PSL	130458	130457	130483	128158	
P33100-DSL	130456	130455	130483	128159	
P33100-PSL	130458	130457	130483	128159	
P33180-DSL	130456	130455	130483	128160	
P33006-DASL030P45	130456	130455	130483	130510	130493
P33006-DASL030P64	130456	130455	130483	130510	130496
P33006-DASL090P45	130456	130455	130483	130510	130470
P33006-DASL090P64	130456	130455	130483	130510	130495
P33006-DASL180P45	130456	130455	130483	130510	130494
P33006-DASL180P64	130456	130455	130483	130510	130475
P33011-DASL030P45	130456	130455	130483	130511	130493
P33011-DASL030P64	130456	130455	130483	130511	130496
P33011-DASL090P45	130456	130455	130483	130511	130470
P33011-DASL090P64	130456	130455	130483	130511	130495
P33011-DASL180P45	130456	130455	130483	130511	130494
P33011-DASL180P64	130456	130455	130483	130511	130475
P33016-DASL030P45	130456	130455	130483	130512	130493
P33016-DASL030P64	130456	130455	130483	130512	130496
P33016-DASL090P45	130456	130455	130483	130512	130470
P33016-DASL090P64	130456	130455	130483	130512	130495
P33016-DASL180P45	130456	130455	130483	130512	130494
P33016-DASL180P64	130456	130455	130483	130512	130475
P33022-DASL030P45	130456	130455	130483	130513	130493
P33022-DASL030P64	130456	130455	130483	130513	130496
P33022-DASL090P45	130456	130455	130483	130513	130470
P33022-DASL090P64	130456	130455	130483	130513	130495
P33022-DASL180P45	130456	130455	130483	130513	130494
P33022-DASL180P64	130456	130455	130483	130513	130475
P33032-DASL030P45	130456	130455	130483	130514	130493
P33032-DASL030P64	130456	130455	130483	130514	130496
P33032-DASL090P45	130456	130455	130483	130514	130470
P33032-DASL090P64	130456	130455	130483	130514	130495
P33032-DASL180P45	130456	130455	130483	130514	130494
P33032-DASL180P64	130456	130455	130483	130514	130475
P33054-DASL030P45	130456	130455	130483	130515	130493
P33054-DASL030P64	130456	130455	130483	130515	130496
P33054-DASL090P45	130456	130455	130483	130515	130470
P33054-DASL090P64	130456	130455	130483	130515	130495
P33054-DASL180P45	130456	130455	130483	130515	130494
P33054-DASL180P64	130456	130455	130483	130515	130475

Rear Pistol Block (130457)

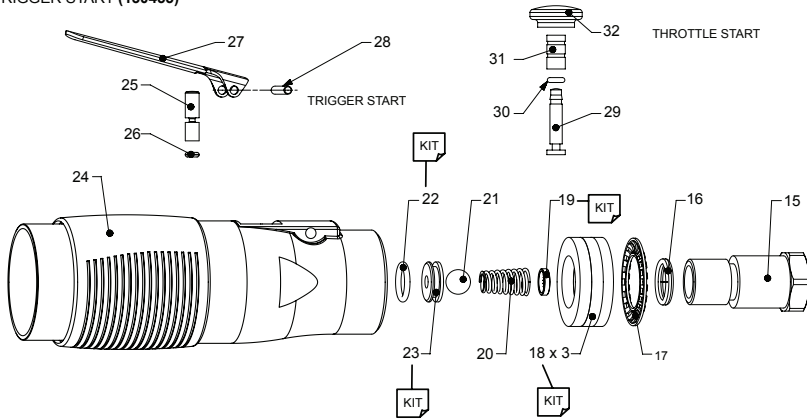


(Dwg. 16595290)

Item No.	Part No.	Description
1	112691	O-ring 8.9x1.9
2	131061	Screen
A	130537	Inlet Adapter Assembly
3	--	Adapter
4	--	Spring 8x11x25x0.75
5	--	Valve Stem
6	--	Valve
7	--	Valve Seat
8	122684	O-ring 9.52x1.78
9	128490	Exhaust Diffuser
10	130541	Muffler
11	130538	Handle
B	130557	Trigger Assembly
12	130539	Trigger
13	130540	Control Rod
14	118258	Needle

Rear Straight Block

THROTTLE START (130525)
TRIGGER START (130455)



(Dwg. 16595308)

Item No.	Part No.		Description
	Trigger Start	Throttle Start	
15	128048	128048	Adapter
16	120909	120909	O-ring 11x2
17	128063	128063	Exhaust Diffuser
18	128052	128052	Muffler
19	124262	124262	Screen
20	127953	127953	Spring 9x7x9x21
21	107769	107769	Ball Ø8
22	122684	122684	O-ring 9.52x1.78
23	128047	128047	Valve Seat
24	130482	130482	Rear Block
25	128610	---	Control Rod
26	128062	---	O-ring 2.57x1.78
*27	131584	---	Trigger
28	131592	---	Pin 3.5x22
29	---	128233	Control Rod
30	---	113105	O-ring 2.2x1.6
31	---	128232	Guide
32	---	128234	Button

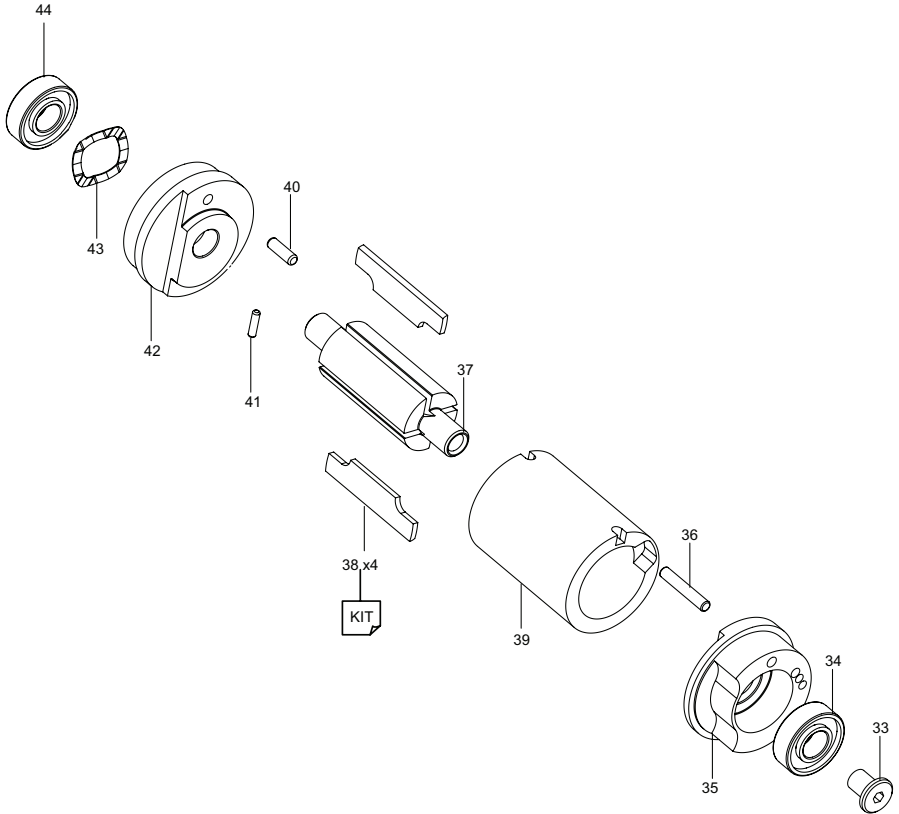
* Security Trigger available as an option (Page 10)

+ International Warning Label (WARNING-28-99)

+ 1/4 BSP - NPT Inlet Adapter (130755)

+ Not illustrated

Motor Block (130483)



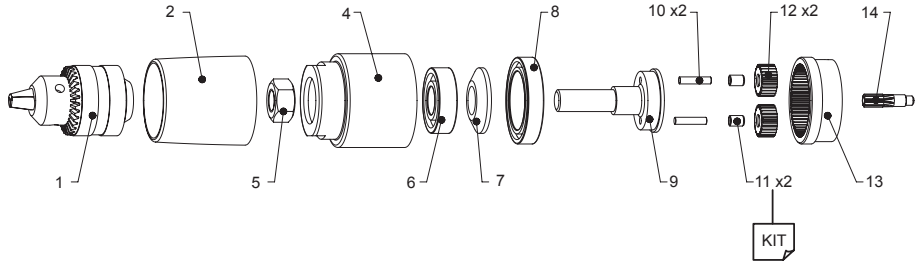
(Dwg. 53431706)

Item No.	Part No.	Description
33	130490	Screw Clz Hc M6x8
34	121361	Bearing 8x19x6
35	130487	Rear Flange
36	125683	Needle 3x17.8 Br
37	130484	Rotor
38	130654	Vane
39	130485	Cylinder
40	123521	Needle
41	118258	Needle
42	130486	Front Flange
43	124118	Wave Spring 13x18.5
44	121361	Bearing 8x19x6

Standard Output Module - DSL, PSL

OUTPUT MODULE 022 (128155)
 OUTPUT MODULE 032 (128156)
 OUTPUT MODULE 054 (128158)

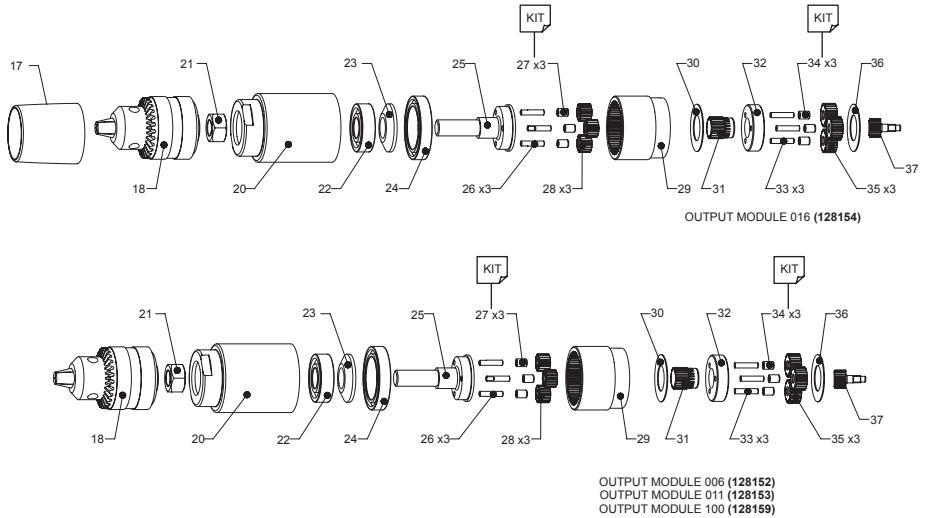
OUTPUT MODULE 180 (128160)



(Dwg. 16595316)

Item No.	Part No.				Description
	022	032	054	180	
1	115313	117269	117269	117269	Chuck
2	128037	128037	128037	128037	Chuck Cap
4	130528	130528	130528	130528	Short Nosepiece
5	128035	128035	128035	128035	Nut
6	116874	116874	116874	116874	Bearing 12x28x8
7	128033	128033	128033	128033	Spacer
8	122376	122376	122376	122376	Bearing 25x37x7
9	128073	128032	128069	128123	Planetary Gear Holder
10	128056	128056	128093	---	Needle
11	130549	130549	130549	---	Bushing
12	130518	130508	130516	---	Planetary Gear
13	128030	128030	128030	128030	Ring Gear
14	128082	128041	128080	---	Pinion
15	---	---	---	124038	O-ring 4x1.5
16	---	---	---	128094	Hexagonal Drive

Standard Output Module - DSL, PSL

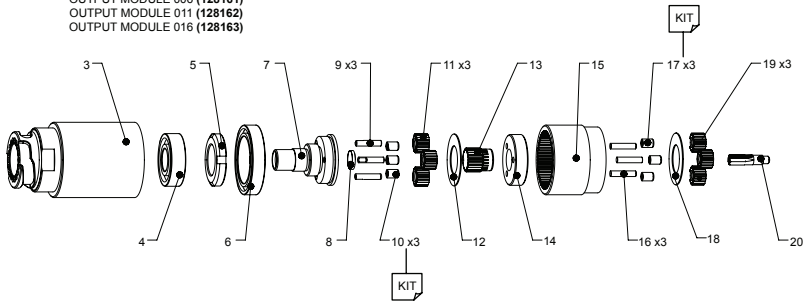


(Dwg. 16595324)

Item No.	Part No.				Description
	006	0110	016	100	
17	---	---	128037	---	Chuck Cap
18	117311	117311	115313	117269	Chuck
20	130529	130529	130529	130529	Long Nosepiece
21	128035	128035	128035	128035	Nut
22	116874	116874	116874	116874	Bearing 12x28x8
23	128033	128033	128033	128033	Spacer
24	122376	122376	122376	122376	Bearing 25x37x7
25	128069	128069	128069	128124	Planetary Gear Holder
26	128056	128056	128056	128056	Needle r
27	130549	130549	130549	130549	Bearing
28	130516	130516	130516	130517	Planetary Gear
29	128068	128068	128068	128068	Ring Gear
30	128084	128084	128084	128084	Washer
31	128083	128083	128083	128127	Pinion
32	128076	128075	128074	128096	Planetary Gear Holder
33	128093	128093	128093	128056	Needle
34	130549	130549	130549	130549	Bushing
35	130518	130517	---	130518	Planetary Gear
36	128084	128084	128084	128084	Washer
37	128082	128081	128080	128082	Pinion

Standard Output Module - DSL, PSL

OUTPUT MODULE 006 (128161)
 OUTPUT MODULE 011 (128162)
 OUTPUT MODULE 016 (128163)

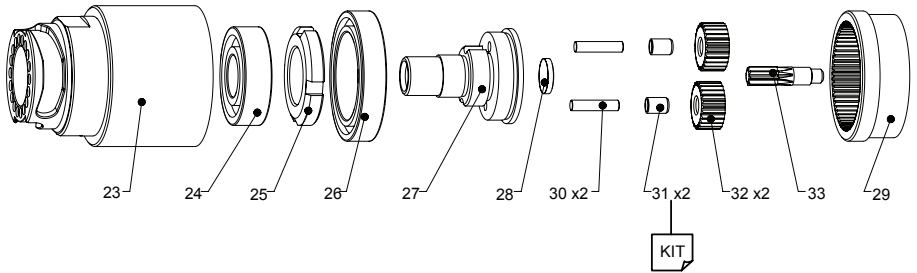


(Dwg. 53428652)

Item No.	Part No.			Description
	006	011	016	
3	130503	130503	130503	Long Nosepiece
4	116874	116874	116874	Bearing 12x28x8
5	130507	130507	130507	Nut
6	122376	122376	122376	Bearing 25x37x7
7	130519	130519	130519	Planetary Gear Holder
8	128129	128129	128129	Stopper
9	128093	128093	128093	Needle
10	130549	130549	130549	Bushing
11	130516	130516	130516	Planetary Gear
12	128084	128084	128084	Washer
13	128083	128083	128083	Pinion
14	128076	128075	128074	Planetary Gear Holder
15	128068	128068	128068	Ring Gear
16	128056	128056	128056	Needle
17	130549	130549	130549	Bushing
18	128084	128084	128084	Washer
19	130518	130517	130516	Planetary Gear
20	128082	128081	128080	Pinion

Output Module - DMSL, PMSL

OUTPUT MODULE 002 (128164)
 OUTPUT MODULE 011 (128165)
 OUTPUT MODULE 016 (128167)

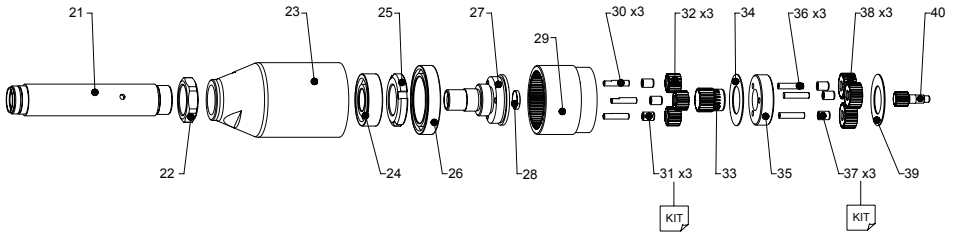


(Dwg. 53428769)

Item No.	Part No.			Description
	022	032	054	
23	130502	130502	130502	Short Nosepiece
24	116874	116874	116874	Bearing 12x28x8
25	130507	130507	130507	Nut
26	122376	122376	122376	Bearing 25x37x7
27	130521	130506	130519	Planetary Gear Holder
28	128129	128129	128129	Stopper
29	128030	128030	128030	Ring Gear
30	128056	128056	128056	Needle
31	130549	130549	130549	Bushing
32	130518	130518	130518	Planetary Gear
33	128082	128082	128082	Pinion

Output Module - DASL

Output Module 006 (130510)
 Output Module 011 (130511)
 Output Module 016 (130512)

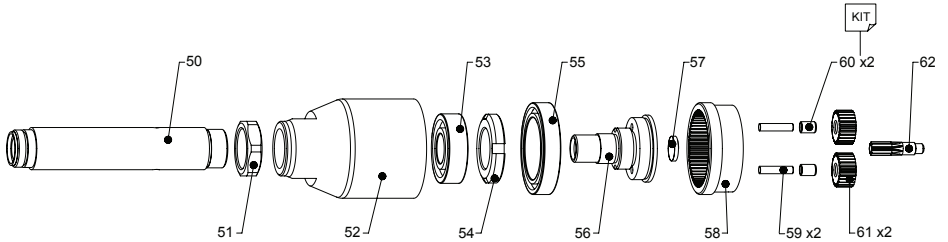


(Dwg. 53433496)

Item No.	Part No.			Description
	006	011	016	
21	130524	130524	130524	Extension Housing
22	128905	128905	128905	Nut
23	130531	130531	130531	Long Nosepiece
24	116874	116874	116874	Bearing 12x28x8
25	130507	130507	130507	Nut
26	122376	122376	122376	Bearing 25x37x7
27	130519	130519	130519	Planetary Gear Holder
28	128129	128129	128129	Stopper
29	128068	128068	128068	Ring Gear
30	128093	128093	128093	Needle
31	130549	130549	130549	Bushing
32	130516	130516	130516	Planetary Gear
33	128083	128083	128083	Pinion
34	128084	128084	128084	Washer
35	128076	128076	128076	Planetary Gear Holder
36	128056	128056	128056	Needle
37	130549	130549	130549	Bushing
38	130518	130517	130516	Planetary Gear
39	128084	128084	128084	Washer
40	128082	128081	128080	Pinion

Output Module - DASL

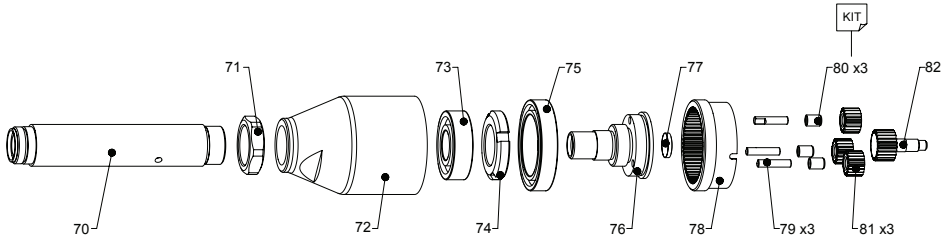
OUTPUT MODULE 022 (130513)
 OUTPUT MODULE 032 (130514)



(Dwg. 53433561)

Item	Part No.		Description
	22	32	
50	130524	130524	Extension Housing
51	128905	128905	Nut
52	130530	130530	Short Nosepiece
53	116874	116874	Bearing 12x28x8
54	130507	130507	Nut
55	122376	122376	Bearing 25x37x7
56	130521	130506	Planetary Gear Holder
57	128129	128129	Stopper
58	128030	128030	Ring Gear
59	128056	128056	Needle
60	130549	130549	Bushing
61	130518	130508	Planetary Gear
62	128082	128041	Pinion

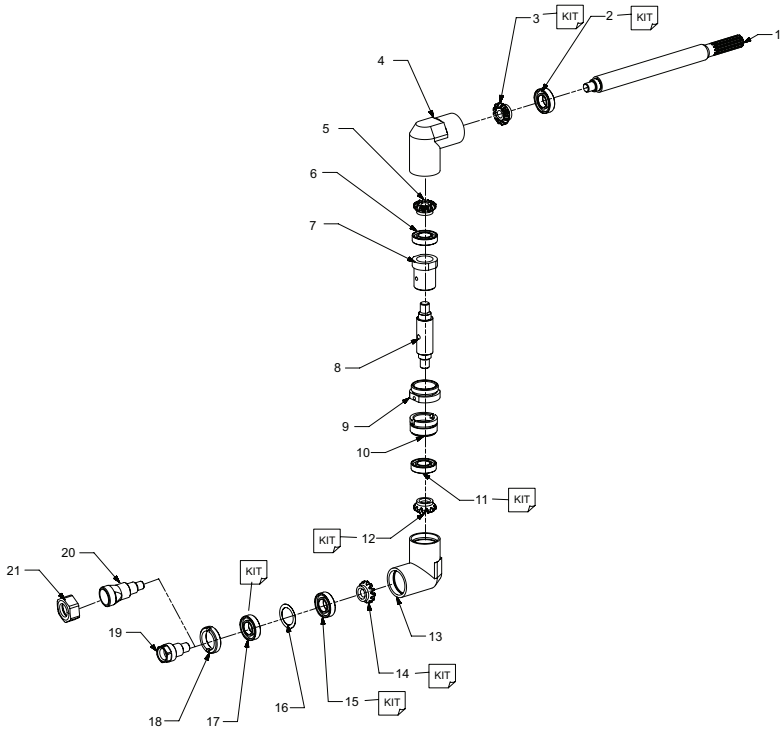
Output Module 054 (130515)- DASL



(Dwg. 53433587)

Item	Part No.	Description
70	130524	Extension Housing
71	128905	Nut
72	130530	Short Nosepiece
73	116874	Bearing 12x28x8
74	130507	Nut
75	122376	Bearing 25x37x7
76	130519	Planetary Gear Holder
77	128129	Stopper
78	128030	Ring Gear
79	128093	Needle
80	130549	Bushing
81	130516	Planetary Gear
82	128080	Pinion

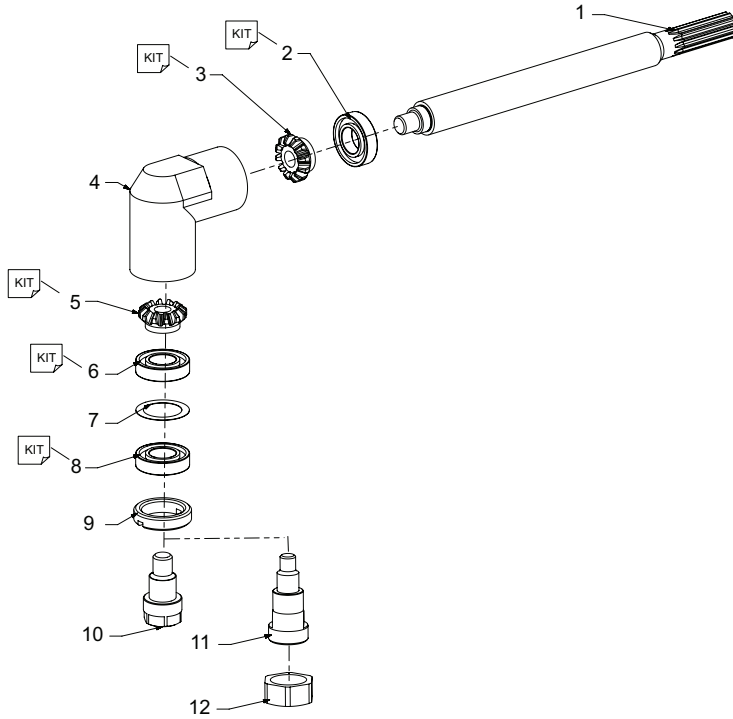
Angle Head Attachment - DASL (180° Angle), 130494 and 130475



(Dwg, 16595258)

Item	Models 180P45	Models 180P64	Description
	130494	130475	
1	130571	130571	Spindle
2	128019	128019	Bearing 7x14x3,5
3	130570	130570	Pinion
4	130569	130569	Angle Housing
5	130570	130570	Pinion
6	128019	128019	Bearing 7x14x3,5
7	130578	130578	Bushing
8	130572	130572	Spindle
9	130579	130579	Nut
10	130580	130580	Nut
11	128019	128019	Bearing 7x14x3,5
12	130570	130570	Pinion
13	130569	130569	Angle Housing
14	130570	130570	Pinion
15	128019	128019	Bearing 7x14x3,5
16	130573	130573	Wave Spring 13.9x10x0.1
17	128019	128019	Bearing 7x14x3,5
18	130577	130577	Nut
19	130574	---	Collet Body
20	---	130613	Collet Body
21	---	128246	Collet Nut

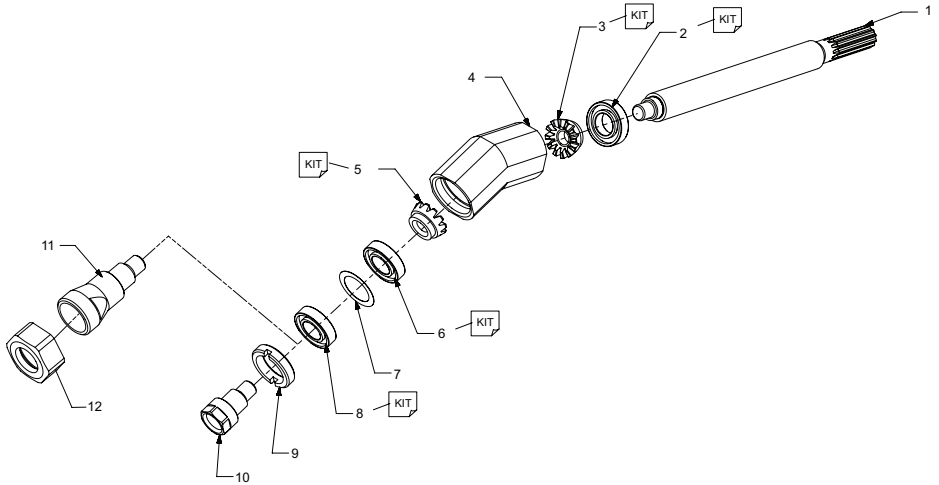
Angle Head Attachment - DASL (90° Angle), 130470 and 130495



(Dwg. 16595266)

Item No.	Models 090P45	Models 090P64	Description
	130470	130495	
1	130571	130571	Spindle
2	128019	128019	Bearing 7x14x3,5
3	130570	130570	Pinion
4	130569	130569	Angle Housing
5	130570	130570	Pinion
6	128019	128019	Bearing 7x14x3,5
7	130573	130573	Wave Spring 13.9x10x0.1
8	128019	128019	Bearing 7x14x3,5
9	130577	130577	Nut
10	130574	---	Collet Body
11	---	130613	Collet Body
12	---	128246	Collet Nut

Angle Head Attachment - DASL (30° Angle), 130493 and 130496



(Dwg. 16595282)

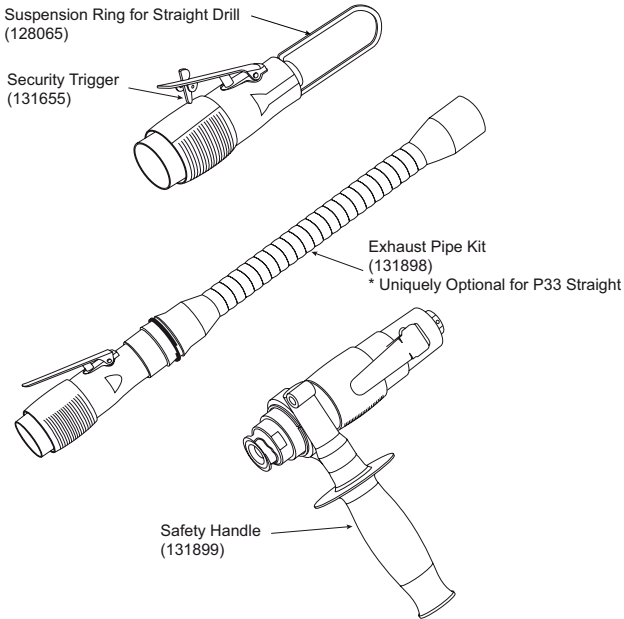
Item No.	Models 030P45	Models 030P64	Description
	130493	130496	
1	130571	130571	Spindle
2	128019	128019	Bearing 7x14x3,5
3	130576	130576	Pinion
4	130575	130575	Angle Housing
5	130576	130576	Pinion
6	128019	128019	Bearing 7x14x3,5
7	130573	130573	Wave Spring 13.9x10x0.1
8	128019	128019	Bearing 7x14x3,5
9	130577	130577	Nut
10	130574	---	Collet Body
11	---	130613	Collet Body
12	---	128246	Collet Nut

First Maintenance Kits

Model	Screen	Seat	Muffler	O-Ring	Muffler	Screen	O-Ring	Exhaust Diffuser	Vane	Bushing	Bearing	Pinion	Pinion	Maintenance Kit
	124262	128047	128052	122684	130541	131061	112691	128490	130654	130549	128019	130570	130576	
P33006-DMSL	1	1	2	1					4	6				130666
P33006-DSL	1	1	2	1					4	6				130666
P33006-PMSL					2	1	1	1	4	6				130667
P33006-PSL					2	1	1	1	4	6				130667
P33011-DMSL	1	1	2	1					4	6				130666
P33011-DSL	1	1	2	1					4	6				130666
P33011-PMSL					2	1	1	1	4	6				130667
P33010-PSL					2	1	1	1	4	6				130667
P33016-DMSL	1	1	2	1					4	6				130666
P33016-DSL	1	1	2	1					4	6				130666
P33016-PMSL					2	1	1	1	4	6				130667
P33015-PSL					2	1	1	1	4	6				130667
P33022-DMSL	1	1	2	1					4	3				130672
P33022-DSL	1	1	2	1					4	3				130672
P33022-PMSL					2	1	1	1	4	3				130673
P33020-PSL					2	1	1	1	4	3				130673
P33020-PSL-MAS8					2	1	1	1	4	3				130673
P33032-DMSL	1	1	2	1					4	3				130672
P33033-DMSL-B	1	1	2	1					4	3				130672
P33032-DSL	1	1	2	1					4	3				130672
P33032-PMSL					2	1	1	1	4	3				130673
P33030-PSL					2	1	1	1	4	3				130673
P33054-DMSL	1	1	2	1					4	3				130672
P33054-DMSL-B	1	1	2	1					4	3				130672
P33054-DSL	1	1	2	1					4	3				130672
P33054-PMSL					2	1	1	1	4	3				130673
P33050-PSL					2	1	1	1	4	3				130673
P33100-DSL	1	1	2	1					4	6				130666
P33100-PSL					2	1	1	1	4	6				130667
P33180-DSL	1	1	2	1					4	3				130672
P33180-PSL					2	1	1	1	4	3				130673

Model	Screen	Seat	Muffler	O-Ring	Muffler	Screen	O-Ring	Exhaust Diffuser	Vane	Bushing	Bearing	Pinion	Pinion	Maintenance Kit
	124262	128047	128052	122684	130541	131061	112691	128490	130654	130549	128019	130570	130576	
P33006-DASL030P45	1	1	2	1					4	6	3		2	130666, 130674
P33006-DASL030P64	1	1	2	1					4	6	3		2	130666, 130674
P33006-DASL090P45	1	1	2	1					4	6	3	2		130666, 130676
P33006-DASL090P64	1	1	2	1					4	6	3	2		130666, 130676
P33006-DASL180P45	1	1	2	1					4	6	5	4		130666, 130677
P33006-DASL180P64	1	1	2	1					4	6	5	4		130666, 130677
P33011-DASL030P45	1	1	2	1					4	6	3		2	130666, 130674
P33011-DASL030P64	1	1	2	1					4	6	3		2	130666, 130674
P33011-DASL090P45	1	1	2	1					4	6	3	2		130666, 130676
P33011-DASL090P64	1	1	2	1					4	6	3	2		130666, 130676
P33011-DASL180P45	1	1	2	1					4	6	5	4		130666, 130677
P33011-DASL180P64	1	1	2	1					4	6	5	4		130666, 130677
P33016-DASL030P45	1	1	2	1					4	6	3		2	130666, 130674
P33016-DASL030P64	1	1	2	1					4	6	3		2	130666, 130674
P33016-DASL090P45	1	1	2	1					4	6	3	2		130666, 130676
P33016-DASL090P64	1	1	2	1					4	6	3	2		130666, 130676
P33016-DASL180P45	1	1	2	1					4	6	5	4		130666, 130677
P33016-DASL180P64	1	1	2	1					4	6	5	4		130666, 130677
P33022-DASL030P45	1	1	2	1					4	3	3		2	130672, 130674
P33022-DASL030P64	1	1	2	1					4	3	3		2	130672, 130674
P33022-DASL090P45	1	1	2	1					4	3	3	2		130672, 130676
P33022-DASL090P64	1	1	2	1					4	3	3	2		130672, 130676
P33022-DASL180P45	1	1	2	1					4	3	5	4		130672, 130677
P33022-DASL180P64	1	1	2	1					4	3	5	4		130672, 130677
P33032-DASL030P45	1	1	2	1					4	3	3		2	130672, 130674
P33032-DASL030P64	1	1	2	1					4	3	3		2	130672, 130674
P33032-DASL090P45	1	1	2	1					4	3	3	2		130672, 130676
P33032-DASL090P64	1	1	2	1					4	3	3	2		130672, 130676
P33032-DASL180P45	1	1	2	1					4	3	5	4		130672, 130677
P33032-DASL180P64	1	1	2	1					4	3	5	4		130672, 130677
P33054-DASL030P45	1	1	2	1					4	3	3		2	130672, 130674
P33054-DASL030P64	1	1	2	1					4	3	3		2	130672, 130674
P33054-DASL090P45	1	1	2	1					4	3	3	2		130672, 130676
P33054-DASL090P64	1	1	2	1					4	3	3	2		130672, 130676
P33054-DASL180P45	1	1	2	1					4	3	5	4		130672, 130677
P33054-DASL180P64	1	1	2	1					4	3	5	4		130672, 130677

Optional



Parts and Maintenance

When the life of the tool has expired, it is recommended that the tool be disassembled, degreased and parts be separated by material so that they can be recycled.

Tool repair and maintenance should only be carried out by an authorized Service Center.

Refer all communications to the nearest Ingersoll Rand Office or Distributor.

Related Documentation

For additional information refer to:

Air Drill Product Safety Information Manual 04580353.

Air Drill Product Information Manual 80212798 and 80218613.

Air Drill Maintenance Information Manual 80212798 and 80218613.

Manuals can be downloaded from ingersollrandproducts.com

ingersollrandproducts.com

© 2014 *Ingersoll Rand*

