

Desoutter37 Mark Road, Hemel Hempstead
Herts, HP2 7BW, United Kingdom**Nutrunner**Part no 2050524003
Issue no 2
Series no C
Date 2012-09
Page 1**PT035-T6000-S4Q****2051477904**

	WARNING - ATTENTION - WARNUNG - ATENCIÓN - ATENÇÃO - ATTENZIONE - WAARSCHUWING - ADVARSEL - ADVARSEL - VAROITUS - VARNING - ΠΡΟΕΙΔΟΠΟΙΗΣΗ - ПРЕДУПРЕЖДЕНИЕ	
	TO REDUCE THE RISK OF INJURY, BEFORE USING OR SERVICING TOOL, READ AND UNDERSTAND THE FOLLOWING INFORMATION AS WELL AS SEPARATELY PROVIDED SAFETY INSTRUCTIONS (ITEM NUMBER: 2050502163)	
	AFIN DE LIMITER LES RISQUES DE BLESSURES, AVANT D'UTILISER OU DE RÉPARER L'OUTIL, LISEZ ET ASSIMILEZ LES INFORMATIONS SUIVANTES AINSI QUE LES INSTRUCTIONS DE SÉCURITÉ FOURNIES SÉPARÉMENT (CODE D'ARTICLE : 2050502163)	
	ZUR VERRINGERUNG DES VERLETZUNGSRIKOS SIND VOR DER INBETRIEBNAHME ODER WARTUNG DES WERKZEUGS FOLGENDE INFORMATIONEN SOWIE DIE GETRENNT BEILIEGENDEN SICHERHEITSANWEISUNGEN (ARTIKELNR. 2050502163) SORGFÄLTIG ZU LESEN	
	PARA REDUCIR EL RIESGO DE LESIONES, ANTES DE UTILIZAR O REVISAR LA HERRAMIENTA, LEA DETENIDAMENTE LA SIGUIENTE INFORMACIÓN Y LAS INSTRUCCIONES DE SEGURIDAD PROPORCIONADAS POR SEPARADO (NÚMERO DE COMPONENTE: 2050502163)	
	PARA REDUZIR O RISCO DE OCORRÊNCIA DE FERIMENTOS, ANTES DE UTILIZAR A FERRAMENTA DE ASSISTÊNCIA LEIA ATENTAMENTE A INFORMAÇÃO QUE SE SEGUE, BEM COMO AS INSTRUÇÕES DE SEGURANÇA FORNECIDAS EM SEPARADO (NÚMERO DE ARTIGO: 2050502163)	
	PER RIDURRE IL RISCHIO DI LESIONI, PRIMA DI UTILIZZARE O RIPARARE L'UTENSILE, LEGGERE ATTENTAMENTE LE INFORMAZIONI RIPORTATE DI SEGUITO OLTRE ALLE ISTRUZIONI DI SICUREZZA FORNITE SEPARATAMENTE (N. ARTICOLO: 2050502163)	
	OM HET RISICO VAN VERWONDING TIJDENS HET GEBRUIK VAN DIT PRODUCT OF TIJDENS ONDERHOUD TE VERMIJDEN, DIENEN DE HIERNA VOLGENDE INFORMATIE EN DE APART VERSTREKTE VEILIGHEIDSINSTRUCTIES GOED GELEZEN TE WORDEN (ONDERDEELNUMMER: 2050502163)	
	FOR AT NEDSÆTTE RISIKOEN FOR LEGEMSBESKADIGELSE SKAL DU LÆSE OG FORSTÅ FØLGENDE INFORMATION SAMT DE SIKKERHEDSINSTRUKTIONER, DER MEDFØLGER SÆRSKILT (DELNUMMER: 2050502163), FØR DU ANVENDER ELLER UDFØRER SERVICE PÅ VÆRKTØJET	
	FOR Å REDUSERE FAREN FOR SKADE MÅ DU LESE OG FORSTÅ FØLGENDE OPPLYSNINGER SAMT INSTRUKSJONENE SOM LEVERES SEPARAT (ARTIKKELNUMMER: 2050502163), FØR DU BRUKER VERKTØYET ELLER UTFØRER SERVICE PÅ DET	

Zampini Industrial Group**AirToolPro.com****1-800-353-4676****ZAMPINI**
INDUSTRIAL GROUP

Part no	2050524003
Issue no	2
Series no	C
Date	2012-09
Page	2



Copyright

© Copyright 2010, Desoutter. All rights reserved. Any unauthorized use or copying of the contents or part thereof is prohibited. This applies in particular to trademarks, model denominations, part numbers and drawings. Use only authorized parts. Any damage or malfunction caused by the use of un authorized parts is not covered by Warranty or Product Liability.

Statement of use

This product is designed for installing and removing threaded fasteners in wood, metal and plastic. No other use permitted. For professional use only. The use of spare parts/accessories other than those originally supplied by the manufacturer may result in a drop in performance and/or increased maintenance/noise level/vibrations, and as the result, the full cancellation of the manufacturer's liability.

Installation

Air quality

- For optimum performance and maximum machine life we recommend use of compressed air with a dew point between +2°C and +10°C. Installation of a refrigeration-type air dryer is recommended.
- Use a separate air filter to remove solid particles larger than 30 microns and more than 90 % of water, installed as close as possible to the machine and prior to any other air preparation unit. Blow out the hose before connecting.
- The compressed air must contain a small quantity of oil. We strongly recommend that you install a oil-fog lubricator to be set normally at 3-4 drops(50mm³)/m³ air consumption for long cycle running tools, or a single-point lubricator for short cycle running tools.
- Regarding lubrication free tools it is, at the customers option, no disadvantage if the compressed air contains a small quantity of oil as supplied from a lubricator. An exception is turbine tools that should be kept oil free. (For further information please see Air Line Accessories in our main catalogue.)

Compressed air connection

- The machine is designed for a working pressure (e) of 6–7 bar = 600–700 kPa = 87–102 psi.
- Blow out the hose before connecting.

Handling

Setting of tightening torque

- ① The adjusting screw (the slotted screw) is the only screw that initially should be adjusted.

Start at a low torque adjustment and gradually increase the setting until you reach the desired torque level.

Use of a machine over recommended maximum torque might result in improper function and faster wear.

Always check the setting and make referencense setup on your actual joint.

see Service Instructions.

Min torque setting

Set the adjusting screw at min level. At hard joints and min. torque setting, reduced free speed by the Trim-valve will improve the accuracy. Min. recommended number of pulses per tightening is 3.

Max torque setting

Start at a low torque level. Gradually increase the setting. Continue as far as the shut off function is distinct. Max. recommended tightening time is 3 seconds.

Test method - Static or Dynamic

A static torque measurement is recommended for the Pulse Tool machines.

If dynamic torque measurement with an electronic inline torque transducer is used, always verify your measurement result by a static check with a torque wrench (electronic).

WARNING



NEVER CONNECT A PART ASSEMBLED TOOL TO THE AIR SUPPLY. THE ROTOR BLADES IN THIS TOOL HAVE A PTFE CONTENT. THE NORMAL HEALTH AND SAFETY RECOMMENDATIONS CONCERNING PTFE MUST BE OBSERVED WHEN HANDLING THESE ROTOR BLADES.

- DO NOT SMOKE.
- MOTOR COMPONENTS MUST BE WASHED WITH CLEANING FLUID AND NOT BLOWN CLEAR WITH AN AIR LINE.
- THE SILENCER MUST BE REPLACED WHEN DIRTY, DO NOT CLEAN AND RE-USE.
- WASH HANDS BEFORE COMMENCING ANY OTHER ACTIVITY

Maintenance

- All torque figures ± 10%.
- When disposing of components, lubricants, etc ...ensure that the relevant safety procedures are carried out.
- Overmold should be wiped clean with a general purpose, nonaggressive degreasant.

For maximum performance

At tough working conditions – soft joints and max. setting – lubrication of the air is recommended.

With extreme dry air the service life of vanes and machine performance might be reduced. A daily supply of 0.1 – 0.2 ml oil into the machine inlet will improve the machine performance. At hard joints and low tightening torque settings reduced free speed by the Trim-valve will improve the accuracy. Alternatively consider an automatic lubricator device, oil fog lubricator or single point lubricator which will improve the machine performance.

Refill the pulse-unit with oil

For further information pls see - Service Instructions.

For optimum machine performance the pulse unit must be correctly filled with oil. Due to a possible microleakage of oil from the pulse unit, it could be necessary to refill the unit between the regular overhaul intervals. The frequency of this procedure depends on the type of application, number of cycles, tightening time etc. An accurate refill of the pulse unit gives long service intervals.

Too much oil in the pulse unit implies a low pulse frequency and slow tightening.

Too little oil in the pulse unit implies a high pulse frequency and there will be a risk of a decreasing tightening torque. In particular at the first tightening after a break the machine might race.

Use Hydraulic Oil : 22 cST / 40 °C (ISO VG22). Running the machine with too little oil may damage the pulse unit. After the refill – Check the tightening torque, see Service instructions.

Rust protection and internal cleaning

Water in the compressed air, dust and wear particles cause rust and sticking of vanes, valves etc. An air filter should be installed close to the machine (see 'Air quality'). Before longer standstills, flush with oil (some drops) into the air inlet, run the machine for 5-10 seconds when absorbing the oil in a cloth.

Service instructions

Overhaul and preventive maintenance is recommended at regular intervals once per year or after maximum 250.000 tightening depending on which occurs sooner. More frequent overhaul may be needed, specially changing oil in the pulse unit, if used at high torque and long tightening times. If the machine is not working properly, it should immediately be taken away for inspection.

The strainer at the air inlet and the exhaust silencer should be cleaned frequently or replaced in order to prevent clogging, which decreases the capacity.

At the overhauls, all parts should be cleaned accurately and defective or worn parts (i.e. O-rings, vanes) should be replaced.

- ⓘ All o-rings should be greased before assembling; especially important are the o-rings in the pulse unit.

Disassembling /assembling

It is important that the machines threaded connections are tightened properly; i.e. in accordance with the specifications on the exploded views.

Cleaning

Clean all parts, not electrical, thoroughly in white spirit or similar cleaning agent. To prevent clogging and decreased power, it could be necessary to clean the strainer (if used) and the exhaust filter between the overhauls.

Inspection

After the cleaning, inspect all parts. Damaged and worn parts should be replaced.

Lubrication

Lubricate specially gears, valve and clutch with grease containing molybdenum disulphide (e.g. Molykote BR2 Plus). Lubricate o-rings and threaded connections with grease before assembling.

Grease Guide

Brand	General purpose Bearings	Motor shaft	Air Lubrication
BP	Energrease LS-EP2		Energol E46
Castrol	Spheerol EP L2		
Esso	Beacon EP2		Arox EP46
Q8	Rembrandt EP2		Chopin 46
Mobil	Mobilegrease XHP 222		Almo oil 525
Shell	Alvania EP2		Tonna R32
Texaco	Multifak EP2		Aries 32
Molykote		BR2 Plus	
Lubricating Engineers		Almagard-3752	

Spare parts

Parts without ordering number are for technical reasons not delivered separately.

The use of other than genuine Desoutter replacement parts may result in decreased tool performance and increased maintenance and may, at the company option, invalidate all warranties.

Technical data

Rated speed and Torque range

Rated speed (Rpm)	6000
Torque range (Nm)	20-36

Noise and vibration emission


Noise (according to EN ISO 15744)	dB(A)
Measured sound pressure level	77
Determined sound power level	
Spread in method and production	3

Vibration (according to ISO 8662-7)	m/s ²
Measured vibration value	<2.5
Spread in method and production	-

Declaration of noise and vibration emission

All values are current as of the date of this publication. For the latest information please visit www.desouttertools.com. These declared values were obtained by laboratory type testing in accordance with the stated standards and are suitable for comparison with the declared values of other tools tested in accordance with the same standards. These declared values are not adequate for use in risk assessments and values measured in individual work places may be higher. The actual exposure values and risk of harm experienced by an individual user are unique and depend upon the way the user works, the workpiece and the workstation design, as well upon the exposure time and the physical condition of the user.

We, Desoutter, cannot be held liable for the consequences of using the declared values, instead of values reflecting the actual exposure, in an individual risk assessment in a work place situation over which we have no control. This tool may cause hand-arm vibration syndrome if its use is not adequately managed. An EU guide to managing hand-arm vibration can be found at <http://www.humanvibration.com/EU/VIBGUIDE.htm> We recommend a programme of health surveillance to detect early symptoms

Part no	2050524003	
Issue no	2	
Series no	C	
Date	2012-09	
Page	4	

which may relate to noise or vibration exposure, so that management procedures can be modified to help prevent future impairment.

EC DECLARATION OF CONFORMITY

We, Desoutter, 37 Mark road, Hemel Hempstead, Herts-UK, HP2 7BW, +44 (0) 1442 838999 declare under our sole responsibility that our product (with type and serial number, see front page) and in combination with our accessories, to which this declaration relates is in conformity with the appropriate standard(s):

EN ISO 11148-6: 2010

and in accordance with the following directive(s):

2006/42/EC Machinery Directive

Origin of the product: Sweden

Technical file available from EU headquarter.

CP

38 rue Bobby Sands - BP 10273

44818 Saint Herblain - France

+33 (0) 2 40 80 20 00

Saint Herblain, 20/06/2012

B. Blanchet, General Manager

Signature of issuer



Desoutter Warranty

- 1) This Desoutter product is guaranteed against defective workmanship or materials, for a maximum period of 12 months following the date of purchase from Desoutter or its agents, provided that its usage is limited to single shift operation throughout that period. If the usage rate exceeds that of single shift operation, the warranty period shall be reduced on a pro rata basis.
- 2) If, during the warranty period, the product appears to be defective in workmanship or materials, it should be returned to Desoutter or its agents, together with a short description of the alleged defect. Desoutter shall, at its sole discretion, arrange to repair or replace free of charge such items as are deemed faulty by reason of defective workmanship or materials.
- 3) This warranty ceases to apply to products which have been abused, misused or modified, or which have been repaired using other than genuine Desoutter spare parts or by someone other than Desoutter or its authorized service agents.
- 4) Should Desoutter incur any expense correcting a defect resulting from abuse, misuse, accidental damage or unauthorized modification, they will require that such expense shall be defrayed in full.
- 5) Desoutter accepts no claim for labour or other expenditure made upon defective products.
- 6) Any direct, incidental or consequential damages whatsoever arising from any defect are expressly excluded.
- 7) This warranty is given in lieu of all other warranties, or conditions, expressed or implied, as to the quality, merchantability or fitness for any particular purpose.
- 8) No one, whether an agent, servant or employee of Desoutter, is authorized to add to or modify the terms of this limited warranty in any way.

Copyright

© Copyright 2010, Desoutter. Tous droits réservés. Tout usage illicite ou copie totale ou partielle sont interdits. Ceci s'applique plus particulièrement aux marques déposées, dénominations de modèles, numéros de pièces et schémas. Utiliser exclusivement les pièces autorisées. Tout dommage ou mauvais fonctionnement causé par l'utilisation d'une pièce non autorisée ne sera pas couvert par la garantie du produit et le fabricant ne sera pas responsable.

Declaration d'utilisation

Ce produit est conçu pour visser et dévisser des attaches fi letées dans le bois, le métal et le plastique. Il ne doit être utilisé à aucune autre fi n. Il est réservé à un usage professionnel. L'utilisation de pièces détachées et/ou d'accessoires qui ne sont pas fournis par le fabricant d'origine peu engendrer une diminution des performances et/ou une augmentation de l'entretien et du niveau de vibration; une telle utilisation provoque également l'annulation totale de la responsabilité du fabricant.

Installation

Qualité de l'air

- Pour obtenir des performances optimales et une durée de vie de la machine maximum, nous vous recommandons d'utiliser de l'air comprimé avec un point de rosée compris entre +2°C et +10°C. L'installation d'un sècheur d'air comprimé de type déshydrateur à réfrigération est recommandée.
- Utilisez un filtre à air indépendant pouvant retenir les particules solides supérieures à 30 microns et plus de 90 % d'eau sous forme liquide. Le filtre sera installé aussi près que possible de la machine et avant toute unité de traitement préalable de l'air. Purgez le flexible par soufflage avant de le raccorder.
- L'air comprimé doit contenir une petite quantité d'huile. Nous vous recommandons fortement d'installer pour les outils à cycle long un lubrificateur à brouillard d'huile, celui-ci étant généralement réglé pour fournir de 3 à 4 gouttes (50mm³) par m³ de consommation d'air, ou pour les outils à cycle court un lubrificateur pour graissage localisé.
- Pour les outils n'exigeant pas de lubrification, il n'y a aucun inconvénient, selon le choix du client, à ce que l'air comprimé contienne une petite quantité d'huile fournie par un lubrificateur. Les outils à turbine qui doivent rester exempts d'huile sont une exception. (veuillez vous reporter au chapitre Accessoires de ligne de notre catalogue principal).

Raccordement de l'air comprimé

- L'outil est conçu pour une pression d'utilisation (e) de 6 à 7 bar = 600 – 700 kPa = 6 – 7 kp/cm².
- Soufflez de l'air dans le flexible avant de le connecter.

Maniement

Réglage du couple de serrage

- ① La vis de réglage (vis à fente) et la soupape Trim sont les seuls éléments que vous devez régler initialement.

Commencez par un réglage bas et augmentez progressivement jusqu'à ce que vous atteigniez le niveau de couple souhaité.

L'utilisation de l'outil au-delà du couple maximum recommandé peut provoquer un mauvais fonctionnement et une usure prématurée.

Contrôlez toujours le réglage sur le joint que vous utilisez
Voir Instructions de service

Réglage de couple min.

La vis de réglage doit être réglée au niveau minimum. Dans des conditions de joints durs et de réglage minimum, un régime libre réduit par la soupape Trim permet d'améliorer la précision. Le nombre minimum d'impulsions recommandé par serrage est de 3.

Réglage de couple max.

Commencez par un réglage bas, puis augmentez progressivement. Poursuivez cette opération jusqu'à ce que la fonction d'arrêt s'active. Le temps de serrage maximum recommandé est de 3 secondes.

Méthode de test statique ou dynamique

Nous vous recommandons de mesurer le couple des outils Pulse Tool de manière statique.

Si vous le mesurez de manière dynamique à l'aide d'un capteur de couple en ligne électronique, vérifiez toujours les résultats de mesure en effectuant un contrôle statique à l'aide d'une clé dynamométrique à déclenchement (électronique).

ATTENTION



NE JAMAIS RACCORDER UN OUTIL PARTIELLEMENT MONTÉ À L'ALIMENTATION PNEUMATIQUE. LES LAMES DE ROTOR DE CET OUTIL CONTIENNENT DU PTFE. LES RECOMMANDATIONS NORMALES POUR LA SANTÉ ET LA SÉCURITÉ AU SUJET DES PTFE DOIVENT ÊTRE OBSERVÉES LORS DE LA MANIPULATION DE CES LAMES DE ROTOR.

- NE PAS FUMER
- LES PIÈCES DU MOTEUR DOIVENT ÊTRE LAVÉES AVEC UN FLUIDE DE NETTOYAGE ET NON PAS NETTOYÉES AU JET D'AIR
- LE SILENCIEUX DOIT ÊTRE REMPLACÉ LORSQU'IL EST SALE. NE PAS NETTOYER, NI RÉUTILISER
- SE LAVER LES MAINS AVANT DE COMMENCER TOUTE AUTRE ACTIVITÉ.

Instruction D'Entretien

- Valeurs de couple à ± 10%.
- Pour se débarrasser de pièces, graisse, etc, s'assurer que les procédures de sécurité en vigueur sont appliquées.
- Nettoyer le collier rapporté à l'aide d'un produit dégraissant courant non agressif.

Pour obtenir un rendement maximum

Dans des conditions de travail rudes, joints mous et réglage maximum, nous vous recommandons de lubrifier l'air.

De l'air extrêmement sec peut réduire la durée de vie des palettes et la puissance de l'outil. Vous pouvez améliorer les performances de l'outil en ajoutant quotidiennement une petite quantité d'huile (0,1 - 0,2 ml) dans l'admission ou en utilisant un dispositif de lubrification automatique de type lubrificateur par brouillard d'huile ou lubrificateur à point unique.



Faites l'appoint d'huile de l'unité hydraulique

Pour un rendement optimal de l'outil, vous devez faire l'appoint d'huile correct de l'unité hydraulique. En raison d'une éventuelle petite fuite d'huile au niveau de cette unité, il se peut que vous deviez faire l'appoint de l'unité entre les intervalles d'entretien ordinaire. La fréquence de cet appoint dépend du type d'application, du nombre de cycles, du temps de serrage, etc. Un remplissage précis permet en effet de prolonger les intervalles d'entretien.

La présence d'une quantité d'huile trop élevée dans l'unité hydraulique réduit la fréquence d'impulsions et ralentit les serrages.

La présence d'une quantité d'huile insuffisante dans l'unité hydraulique augmente la fréquence d'impulsions et présente un risque de diminution du couple de serrage. Lors des premiers serrages après une interruption, il se peut aussi que l'outil s'emballé.

Utilisez de l'huile hydraulique 22 cSt / 40 °C (ISO VG22).

Pour éviter d'endommager l'unité hydraulique, ne faites pas fonctionner l'outil trop longtemps lorsque le niveau d'huile est insuffisant.

Après avoir fait l'appoint d'huile, vérifiez le couple de serrage.

Protection contre la rouille et nettoyage interne

L'eau de l'air comprimé, les poussières et autres particules dues à l'usure peuvent entraîner la formation de corrosion et colmater les palettes, les soupapes, etc. Nous vous conseillons d'installer un filtre à air à proximité de l'outil (voir "Qualité de l'air"). Avant d'entreposer l'outil pendant une période prolongée, versez quelques gouttes d'huile dans l'admission d'air et faites tourner l'outil pendant 5 à 10 secondes tout en épongeant l'huile à l'aide d'un chiffon.

Instructions de service

Nous vous conseillons de procéder régulièrement à la révision et l'entretien préventif de l'outil, notamment une fois par an ou après 250.000 serrages maximum, selon l'échéance la plus proche. Des révisions plus fréquentes peuvent s'avérer nécessaires, notamment le remplacement de l'huile de l'unité hydraulique, quand l'outil est utilisé avec un couple élevé ou que les durées de serrage sont importantes. Si l'outil ne fonctionne pas correctement, il doit être immédiatement retiré du service et inspecté.

Le filtre de l'admission d'air et le silencieux doivent être nettoyés fréquemment ou remplacés afin d'éviter tout colmatage susceptible de diminuer les capacités de l'outil.

Lors de chaque révision, nettoyez convenablement toutes les pièces et remplacez celles qui sont usées ou endommagées (notamment les joints toriques et les palettes).

- ⓘ Tous les joints toriques doivent être graissés avant d'être montés, en particulier ceux de l'unité hydraulique.

Démontage/montage

Il est important de serrer correctement les connexions filetées des outils, conformément aux spécifications mentionnées dans les vues éclatées.

Nettoyage

Nettoyez complètement toutes les pièces avec du White spirit ou autre agent de nettoyage similaire.

Pour éviter tout colmatage ou toute diminution de puissance, vous devez nettoyer le filtre (le cas échéant) et le filtre d'échappement entre les entretiens.

Inspection

Après le nettoyage, vérifiez toutes les pièces. Remplacez toutes les pièces endommagées ou usées.

Lubrification

Lubrifiez en particulier les engrenages, la soupape et l'embrayage avec de la graisse contenant du bisulfite de molybdène (Molykote BR2 Plus, par exemple). Consultez les figures et les vues éclatées dans les instructions de service.

Lubrifiez les joints toriques et les connexions filetées avec de la graisse avant de les remonter.

Guide de sélection des graisses

Marque	Tout usage Paliers	Moteur arbre	Lubrification de l'air
BP	Energrease LS-EP2		Energol E46
Castrol	Speherol EP L2		
Esso	Beacon EP2		Arox EP46
Q8	Rembrandt EP2		Chopin 46
Mobil	Mobilegrease XHP 222		Almo oil 525
Shell	Alvania EP2		Tonna R32
Texaco	Multifak EP2		Aries 32
Molycote		BR2 Plus	
Lubricating Engin-eers		Almagard-3752	

Pièces de rechange

Pour des raisons techniques, les pièces dépourvues de référence ainsi que celles fournies dans les kits d'entretien ne sont pas disponibles séparément.

L'emploi de pièces autres que des pièces de rechange Desoutter d'origine peut altérer les performances et augmenter les interventions d'entretien, voire même annuler toutes les garanties, selon l'appréciation de la société.

Caractéristiques techniques

Vitesse nominale et plage de couple

Vitesse nominale (t/min)	6000
Plage de couple (Nm)	20-36

Niveau de bruit et émission de vibrations


Bruit mesurées conformément à EN ISO 15744	dB(A)
Niveau de pression sonore mesuré	77
Niveau de puissance sonore déterminée	
Propagation en méthode et production	3

Vibrations mesurées conformément à ISO 8662-7 m/s²

Valeur de vibration mesurée	<2.5
Propagation en méthode et production	-

Niveau de bruit et émission de vibration déclarés

Toutes les valeurs sont celles connues à la date de publication du présent document. Pour obtenir les renseignements les plus récents, visiter le www.desouttertools.com Ces valeurs ont été obtenues par des essais en laboratoire conformément aux normes indiquées; elles ne peuvent pas être utilisées pour l'évaluation des risques. Les valeurs mesurées sur les lieux de travail individuels peuvent être supérieures aux valeurs indiquées. Les valeurs d'exposition et le risque de préjudice réels dépendent de l'utilisateur et de sa

Part no	2050524003	
Issue no	2	
Series no	C	
Date	2012-09	
Page	8	

condition physique, de la méthode de travail utilisée, de la pièce de travail, de la conception de la station de travail et du temps d'exposition. Desoutter ne saurait être tenue responsable des conséquences de l'utilisation des valeurs ci-dessus au lieu des valeurs représentatives de l'exposition réelle, dans les études de risques individuelles sur les lieux de travail qui échappent à notre contrôle. Cet outil peut provoquer des Troubles Musculo-Squelettiques, si son utilisation n'est pas correcte. Un guide communautaire de la prévention des TMS peut être trouvé sur le site :<http://www.humanvibration.com/EU/VIBGUIDE.htm> Nous recommandons un programme de surveillance de la santé pour détecter les premiers symptômes se rapportant au bruit ou à l'exposition aux vibrations, et de modifier les conditions travail pour aider à prévenir les troubles à venir.

GARANTIE DESOUTTER

- 1) Ce produit Desoutter est garanti contre les vices de main d'œuvre ou de fabrication, pendant une période maximum de 12 mois à compter de la date d'achat auprès de Desoutter ou de ses agents, dans la mesure où son usage est limité à une seule équipe de travail pendant cette période. Si le taux d'utilisation excède celui d'une seule équipe de travail, la période de garantie sera réduite proportionnellement.
- 2) Si, pendant la période de garantie, le produit semble présenter des vices de main d'œuvre ou de fabrication, il doit être renvoyé chez Desoutter qui, à sa discrétion, organisera la réparation ou le remplacement gratuit des articles jugés défectueux pour cause de vice de main d'œuvre ou de fabrication.
- 3) Cette garantie sera annulée s'il y a eu abus, mauvaise utilisation ou modification des produits, ou s'ils ont été réparés en utilisant des pièces de rechange autres que celles prescrites par Desoutter ou par une personne autre que Desoutter ou l'un de ses agents agréés.
- 4) Au cas où Desoutter engagerait des dépenses pour rectifier un défaut résultant d'abus, de mauvaise utilisation, de détérioration accidentelle ou de modification non autorisée, ces dépenses seraient à la charge totale du client.
- 5) Desoutter n'accepte aucune réclamation en matière de main d'œuvre ou d'autres dépenses effectuées sur les produits défectueux.
- 6) Toutes les détériorations directes, accidentelles ou indirectes, quelles qu'elles soient, provenant d'un défaut quelconque, sont expressément exclues.
- 7) Cette garantie remplace toutes les autres garanties ou conditions, expresses ou implicites, quant à la qualité, la valeur marchande ou l'adéquation du produit pour un objectif particulier.
- 8) Personne, que ce soit un agent, un technicien SAV ou un employé de Desoutter, n'est autorisé à ajouter ou modifier d'une façon quelconque les termes de cette garantie limitée.

Copyright

© Copyright 2010, Desoutter. Alle Rechte vorbehalten. Unbefugtes Verwenden oder Kopieren des Inhalts bzw. von Teilen des Inhalts ist verboten. Dies gilt insbesondere für Warenzeichen, Modellbezeichnungen, Teilenummern und Zeichnungen. Nur die zugelassenen Ersatzteile verwenden. Schäden oder Funktionsstörungen, die durch die Verwendung nicht zugelassener Ersatzteile entstehen, sind von der Garantieleistung und der Produkthaftung ausgeschlossen.

Nutzungshinweise

Dieses Produkt ist ausschließlich für den industriellen Einsatz bestimmt. Es ist ausschließlich zum Herstellen von Schraubverbindungen in Metall, Kunststoff oder Holz bestimmt. Eine andere Benutzung gilt als nicht bestimmungsgemäß. Die Verwendung von Ersatz- oder Zubehörteilen, die nicht vom Hersteller bezogen wurden, kann zu Leistungsminderung bzw. erhöhtem Wartungsbedarf, Lärmpegel und stärkeren Vibrationen führen und in der Folge das Erlöschen der Produkthaftung des Herstellers nach sich ziehen.

Installation

Luftqualität

- Für eine optimale Leistung und maximale Maschinenlebensdauer empfehlen wir den Einsatz von Druckluft mit einem Taupunkt zwischen 2 und 10 °C. Die Installation eines Kühltrockners wird empfohlen.
- Verwenden Sie einen separaten Luftfilter. Dieser sorgt für die Abscheidung von Feststoffteilchen mit einer Größe über 30 Mikrometer sowie mehr als 90 % des flüssigen Wassers. Der Filter ist so nah wie möglich an der Maschine und vor weiteren Luftaufbereitungseinheiten zu installieren. Blasen Sie den Schlauch vor dem Anschluss aus.
- Die Druckluft muss eine geringe Ölmenge enthalten. Wir empfehlen nachdrücklich die Installation eines Nebelölers. Dieser wird in der Regel auf 3-4 Tropfen (50 mm³) je Kubikmeter Luftverbrauch für Werkzeuge mit langen Arbeitszyklen eingestellt. Alternativ kann ein Einspritzöler für Werkzeuge mit kurzen Arbeitszyklen verwendet werden.
- Bei schmierfreien Werkzeugen, die auf Kundenwunsch bereitgestellt werden, ist es nicht nachteilig, wenn die Druckluft eine geringe Ölmenge enthält, die von einem Öler abgegeben wird. Eine Ausnahme stellen Turbinenwerkzeuge dar, für die ein ölfreier Betrieb gewährleistet werden muss. (siehe Luftleitungs-zubehör in unserem Hauptkatalog).

Druckluftanschluß

- Das Werkzeug ist für einen Betriebsdruck (e) von 6 - 7 bar = 600 - 700 kPa = 6-7 kp/cm² ausgelegt.
- Den Druckluftschlauch vor dem Anschließen sorgfältig sauberblasen.

Bedienung

Einstellung des Anziehmoments

- ⓘ Die Einstellung des Drehmoments soll nur mit der Stellschraube (Kreuzschlitzschraube) und dem Trim-Ventil vorgenommen werden.

Mit einem niedrigen Drehmoment beginnen und die Einstellung dann kontinuierlich erhöhen, bis das gewünschte Drehmoment erhalten wird.

Die Anwendung des Geräts über das empfohlene Höchstdrehmoment hinaus kann zu Fehlfunktionen und schnellerem Verschleiß führen.

Immer das eingestellte Anziehdrehmoment der aktuellen Sihe Onderhoudsinstructies

Min. Anzugsmoment

Die Einstellschraube auf min. Anzugsmoment einstellen. Bei harten Verbindungen und min. Anzugsmomenteinstellung kann die Genauigkeit verbessert werden, indem die Leerlaufdrehzahl über das Einstellventil reduziert wird. Empfohlene Mindestanzahl Anzugsschritte pro Verbindung: 3.

Max. Anzugsmoment

Mit niedrigem Anzugsmoment anfangen. Das Anzugsmoment allmählich erhöhen. Fortfahren, solange die Absperrfunktion deutlich wahrnehmbar ist. Empfohlene maximale Anzugszeit: 3 Sek.

Prüfmethode - statisch oder dynamisch

Für die Pulse Tool-Maschinen wird eine statische Messung des Moments empfohlen.

Wird eine dynamische Messung mit einem elektronischen Reihenmomentwandler ausgeführt, ist die Meßmethode immer durch eine statische Kontrolle mit einem Momentschlüssel (elektronisch) zu überprüfen.

WARNUNG



NIEMALS EIN NICHT VOLLSTÄNDIG MONTIERTES WERKZEUG AN DAS LUFTNETZ ANSCHLIESSEN. DIE ROTORBLÄTTER DIESES WERKZEUGS ENTHALTEN PTFE. BEI HANDHABUNG DIESER ROTORBLÄTTER SIND DIE ÜBLICHEN GESUNDHEITS- UND SICHERHEITS-VORSCHRIFTEN FÜR PTFE ZU BEACHTEN.

- NICHT RAUCHEN.
- MOTORTEILE MIT REINIGUNGSMITTEL SÄUBERN UND NICHT MIT LUFTLEITUNG DURCHBLASEN.
- WENN SCHMUTZIG, SCHALLDÄMPFER AUSTAUSCHEN. NICHT SÄUBERN UND ERNEUT VERWENDEN.
- VOR BEGINN ALLER SONSTIGEN TÄTIGKEITEN HÄNDE WASCHEN.

Wartungsanleitung

- Sämtliche Drehmomentzahlen $\pm 10\%$.
- Beim Entsorgen von Teilen, Schmiermitteln usw. dafür sorgen, dass die entsprechenden Sicherheitsvorkehrungen getroffen werden.
- Das Gehäuse sollte mit einem harmlosen Allzweck-Entfetter sauber gewischt werden.

Für höchste Leistung

Bei harten Arbeitsbedingungen - weichen Verbindungen, ständiger Benutzung und langen Anziehzeiten - wird eine Schmierung der Luft empfohlen.

Bei extrem trockener Luft kann sich die Lebensdauer der Lamellen und die Leistung des Geräts verringern. Eine tägliche Ölversorgung (0,1 - 0,2 ml) in den Geräteeinlass oder der Einsatz einer



Schmiervorrichtung, Ölnebelschmierer oder eines Punktschmierers wird die Leistung des Geräts verbessern.

Die Impulseinheit mit Öl auffüllen

Damit die Maschine optimal funktioniert, muß die Impulseinheit richtig mit Öl aufgefüllt werden. Aufgrund einer möglichen geringfügigen Leckage kann es erforderlich sein, die Impulseinheit zwischen den Wartungsintervallen aufzufüllen. Wie oft das erforderlich ist, ist von der Art des Schraubverbands, der Anzahl des Festziehens und der Festziehzeit usw. abhängig. Ein richtiger Ölstand in der Impulseinheit verlängert die Serviceintervalle.

Zu viel Öl in der Impulseinheit verursacht eine niedrige Impulsfrequenz und verlangsamt das Anziehen.

Zu wenig Öl in der Impulseinheit verursacht eine hohe Impulsfrequenz und es besteht die Gefahr für ein verringertes Anziehdrehmoment. Besonders bei den ersten Schraubzyklen nach einer Unterbrechung kann die Maschine überdrehen.

Folgendes Hydrauliköl verwenden : 22 cST / 40°C (ISO VG22) Wenn die Maschine eine Zeit lang mit zu wenig Öl in der Impulseinheit benutzt wird, kann die Impulseinheit beschädigt werden.

Nach dem Auffüllen das Anziehdrehmoment kontrollieren.

Rostschutz und Reinigung des Geräteinnenteils

Wasser in der Druckluft, Staub und Abnutzungspartikel verursachen

Rost und hohen Verschleiß von Lamellen, Ventilen usw. Ein Luftfilter sollte nahe beim Gerät installiert werden (s. "Luftqualität"). Vor einem längeren Stillstand

Öl (einige Tropfen) in den Lufteinlaß geben und das Gerät dann 5 -10 Sekunden laufen lassen; das herauslaufende Öl in einem Tuch auffangen.

Serviceanleitung

Überholung und vorbeugende Wartung werden in regelmäßigen Abständen einmal jährlich oder nach maximal 250.000 Arbeitszyklen empfohlen, je nach dem, was früher eintrifft. Häufigere Überholung ist erforderlich, wenn das Gerät in besonders beanspruchendem Einsatz ist. Wenn das Gerät nicht einwandfrei funktioniert, sollte es zwecks Wartung außer Betrieb genommen werden.

Das Sieb am Lufteinlaß und der Abluftfilter sollten häufig gereinigt


werden, da sie sich sonst zusetzen, wodurch die Leistungsfähigkeit des Gerätes herabgesetzt wird.

Bei den Überholungen müssen alle Teile sorgfältig gereinigt und defekte oder verschlissene Teile (z.B. O-Ringe, Lamellen) müssen ausgetauscht werden.

Alle O-Ringe müssen vor der Montage geschmiert werden. Besonders wichtig sind die O-Ringe in der Impulseinheit.

Es ist wichtig, das die Schraubverbindungen des Geräts sorgfältig angezogen sind, d.h. entsprechen den technische Daten in den Explosionszeichnungen.

Vor dem Zusammensetzen alle Gewinde mit Öl schmieren.

 Vor dem Zusammensetzen alle Gewinde mit Öl schmieren.

Auseinandernehmen/Zusammenbau

Es ist wichtig, dass die Gewindeanschlüsse der Maschine korrekt festgezogen sind, d.h. in Übereinstimmung mit den Daten in den Explosionszeichnungen.

Reinigung

Alle Teile sorgfältig in Lackbenzin oder einem ähnlichen Reinigungsmittel reinigen. Um Verstopfung und Leistungsverringerung zu vermeiden, kann es erforderlich sein, das Sieb (falls verwendet) und den Auslaßfilter zwischen den Überholungen zu reinigen.

Kontrolle

Nach der Reinigung alle Teile kontrollieren. Beschädigte oder verschlissene Teile müssen ausgetauscht werden.

Schmierung

Besonders die Getriebe, Ventile und die Kupplung mit Schmiermittel schmieren, das Molybdändisulfid enthält (z.B. Molykote BR2 Plus). Siehe Explosionszeichnungen und Abbildungen in der Wartungsanweisung.

Die O-Ringe und Gewindeanschlüsse vor dem Zusammenbau mit Schmiermittel schmieren.

Schmiermittelempfehlungen

Fabrikat	Universal Lager	Motor welle	Luftschmierung
BP	Energ grease LS-EP2		Energol E46
Castrol	Spheerol EP L2		
Esso	Beacon EP2		Arox EP46
Q8	Rembrandt EP2		Chopin 46
Mobil	Mobilegrease XHP 222		Almo oil 525
Shell	Alvania EP2		Tonna R32
Texaco	Multifak EP2		Aries 32
Molycote		BR2 Plus	
Lubri- ting Engi- neers		Almagard- 3752	

Ersatzteile

Teile ohne Bestellnummer werden aus technischen Gründen nicht separat geliefert, ebenso Teile, die in Wartungskits enthalten sind.

Die Anwendung anderer als Original Desoutter-Ersatzteile kann zu verminderter Leistung und steigenden Wartungsbedarf führen und kann, entsprechend der Wahl des Unternehmens, alle Garantien ungültig machen.

Technische Daten

Nenndrehzahl und Drehmomentbereich

Nenndrehzahl (min-1)	6000
Drehmomentbereich (Nm)	20-36


Schall- und Vibrationspegel

Geräuschemissionswerte entsprechen EN ISO 15744	
	dB(A)
Gemessener Schalldruckspegel	77
Festgelegter Schalleistungspegel	
Streubreite je nach Meßverfahren und Produktion	3

Vibrationswerte entsprechen ISO 8662-7	
	m/s ²
Gemessener Vibrationspegel	<2.5
Streubreite je nach Meßverfahren und Produktion	-

Erklärung zu Geräuschemission und Vibration

Alle Werte sind zum Zeitpunkt dieser Veröffentlichung auf dem aktuellen Stand. Neueste Informationen finden Sie unter Die genannten Werte wurden durch Tests gemäß den angegebenen Normen unter Laborbedingungen ermittelt und sind nicht ausreichend für Risikoanalysen. Die tatsächlichen Meßwerte am Ein-

Part no	2050524003	
Issue no	2	
Series no	C	
Date	2012-09	
Page	12	

satzort können je nach Umgebung auch höher ausfallen. Die konkrete Belastung und das Gesundheitsrisiko des Benutzers sind von Person zu Person verschieden und hängen von den Arbeitsgewohnheiten, dem Werkstück und der Gestaltung des Arbeitsplatzes sowie von der Belastungsdauer und dem Gesundheitszustand des Benutzers ab. Wir, die Desoutter, haften nicht für die Folgen einer Anwendung der genannten Werte anstelle von Meßwerten der tatsächlichen Belastungswerte in einer Risikoanalyse für einen konkreten Arbeitsplatz, der sich unserer Einflußnahme entzieht. Dieses Werkzeug kann das Hand-Arm-Vibrations-Syndrom auslösen, sofern sein Gebrauch nicht in ausreichendem Maße geregelt wird. Ein EU-Leitfaden zur Regelung von Hand-Arm Vibrationen steht im Internet zur Verfügung: <http://www.humanvibration.com/EU/VIBGUIDE.htm> Wir empfehlen ein Programm zur Gesundheitsüberwachung, durch welches frühe Symptome erkannt werden können, welche auf die Vibrationsexposition zurückgeführt werden könnten, so dass die Abläufe der Maßnahmen daraufhin so geändert werden können, dass zukünftige Beeinträchtigungen vermieden werden.

DESOUTTER GARANTIE

- 1) Dieses Desoutter-Produkt trägt eine Garantie von maximal 12 Monaten ab Datum des Kaufes von Desoutter oder seinen Vertretern für Mängel, die auf Material- oder Herstellungsfehlern beruhen, unter der Voraussetzung, dass der Einsatz dieses Produktes über diesen ganzen Zeitraum hindurch auf einen einfachen Schichtbetrieb begrenzt ist. Bei Übersteigerung des Einsatzzeitraumes über einen einfachen Schichtbetrieb wird die Garantiezeit anteilig verkürzt.
- 2) Bei anscheinend auf Material- oder Herstellungsfehlern beruhenden Mängeln am Produkt innerhalb der Garantiezeit sollte das Produkt zusammen mit einer kurzen Beschreibung des angeblichen Fehlers an Desoutter oder seine Vertreter zurückgeschickt werden. Desoutter wird die betroffenen Teile nach eigenem Ermessen entweder kostenlos reparieren lassen oder, falls sie aufgrund von Mängeln, die auf Material- oder Herstellungsfehlern beruhen, für fehlerhaft erachtet werden, kostenlos ersetzen.
- 3) Diese Garantie verfällt für Produkte, die missbraucht, falsch gebraucht oder verändert wurden, oder die mit anderen als Desoutter-Originalersatzteilen oder von jemand anderem als Desoutter oder seinen vertraglichen Kundendienstvertretern repariert worden sind.
- 4) Sollten Desoutter Kosten aufgrund der Berichtigung eines Mangels entstehen, der durch Missbrauch, falschen Gebrauch, unfallbedingte Schäden oder unbefugte Veränderungen verursacht worden ist, wird Desoutter die Zahlung der gesamten entstandenen Kosten einfordern.
- 5) Desoutter nimmt keine Forderungen für Arbeitskosten oder andere Ausgaben für fehlerhafte Produkte an.
- 6) Alle direkt oder indirekt entstandenen oder Folgeschäden welcher Art auch immer, die Folge eines Mangels sind, sind ausdrücklich ausgeschlossen.
- 7) Diese Garantie wird anstelle aller anderen Garantien oder Bedingungen, ausgedrückt oder impliziert, bezüglich der Qualität, handelsüblichen Brauchbarkeit oder Eignung für jeden bestimmten Zweck ausgegeben.
- 8) Niemand, ob Vertreter, Gehilfe oder Mitarbeiter von Desoutter, ist befugt, die Bedingungen dieser beschränkten Garantie wie auch immer zu erweitern oder zu verändern.



Copyright

© Copyright 2010, Desoutter. Reservados todos los derechos. Está prohibido todo uso indebido o copia de este documento o de parte del mismo. Esto se refiere especialmente a marcas comerciales, denominaciones de modelos, números de piezas y dibujos. Utilice exclusivamente piezas de repuesto autorizadas. Cualquier daño o defecto de funcionamiento causados por el uso de piezas no autorizadas queda excluido de la garantía o responsabilidad del producto.

Declaración de uso

Este producto está diseñado para instalar y retirar tornillos u otros elementos de fijación roscados en madera, metal y plástico. No se permiten otros usos. Para uso profesional exclusivamente. La utilización de piezas de recambio o accesorios diferentes a los suministrados por el fabricante puede resultar en una disminución de su rendimiento y/o en un aumento de las averías, el nivel de ruido y las vibraciones, además de en la consiguiente declinación de toda responsabilidad por parte del fabricante.

Instalación

Calidad del aire

- Para conseguir un rendimiento óptimo y alargar al máximo la vida útil de la máquina, recomendamos utilizar aire comprimido con un punto de rocío entre +2°C y +10°C. Se recomienda la instalación de un secador de aire, tipo refrigeración.
- Instale un filtro de aire independiente que elimina partículas sólidas mayores de 30 micras y más del 90% de agua líquida, lo más cerca posible de la máquina y antes de cualquier unidad de tratamiento de aire. Antes de conectar la manguera, límpiela con aire a presión.
- El aire comprimido debe contener una pequeña cantidad de aceite. Recomendamos encarecidamente la instalación de un engrasador de niebla de aceite, ajustado con una frecuencia de 3-4 gotas (50mm³)/m³ de consumo de aire para herramientas que funcionen con ciclos largos, o bien, un engrasador de un punto para herramientas que funcionen con ciclos cortos.
- En relación a la lubricación de herramientas libres, a discreción del cliente, no presenta inconvenientes si el aire comprimido contiene una pequeña cantidad de aceite suministrada desde un engrasador. Con la excepción de las herramientas de turbina, que deben mantenerse libres de aceite. (consulte la sección de Accesorios para líneas de aire de nuestro catálogo principal).

Conexión de aire comprimido.

- La máquina está diseñada para una presión de trabajo (e) de 6 – 7 bares = 600 – 700 kPa = 6 – 7 kp/cm² = 87 – 102 lb/pulg² (g).
- Soplar aire por la manguera antes de conectarla.

Manejo

Ajuste del par de apriete

- ⓘ El tornillo de ajuste (tornillo ranurado) y la válvula de compensación son los únicos tornillos que deben ajustarse inicialmente..

Comience con un par de apriete reducido y aumentelo gradualmente hasta alcanzar el nivel deseado.

Si la máquina se utiliza por encima del par de apriete recomendado, ésta puede funcionar incorrectamente y causar un desgaste prematuro.

Controlar el par de apriete dado en la junta en cuestión ver Instrucciones de Servicio.

Ajuste de par mín.

Ajuste el tornillo de ajuste al nivel mínimo. En las juntas duras con ajuste de par mínimo, la velocidad libre reducida por la válvula de recorte mejorará la precisión. El número de pulsos mínimo recomendado por apriete es de 3.

Ajuste de par máx.

Comience en un nivel de par bajo. Aumente gradualmente el ajuste. Continúe hasta que la función de cierre esté bien definida. El tiempo de apriete máximo recomendado es de 3 segundos.

Método de prueba - Estático o dinámico

Para las máquinas Pulse Tool se recomienda la medición estática del par.

Si se usa la medición estática del par empleando un transductor de par en línea, verificar siempre el método de medición con un control estático empleando una llave dinamométrica (electrónica).

ATENCIÓN



NUNCA CONECTE LA HERRAMIENTA A LA LINEA DE AIRE SI NO ESTA COMPLETAMENTE MONTADA. LAS ALETAS DEL MOTOR DE ESTA HERRAMIENTA CONTIENEN PTFE. SE DEBEN OBSERVAR TODAS LAS RECOMENDACIONES PARA LA SALUD Y SEGURIDAD RESPECTO AL PTFE CUANDO E MANEJAN ESTAS ALETAS DE MOTOR.

- NO FUMAR.
- LOS COMPONENTES DEL MOTOR SE DEBEN LAVAR CON UN LIQUIDO LIMPIADOR Y NO SOPLAR CON UNA LINEA DE AIRE.
- EL SILENCIADOR SE DEBE CAMBIAR CUANDO ESTE SUCIO. NO SE DEBE LIMPIAR Y VOLVER A USAR.
- SE DEBE LAVAR LAS MANOS ANTES DE EMPEZAR CUALQUIER OTRA ACTIVIDAD.

Mantenimiento

- Los valores de par son ±10%.
- Asegurarse que los procedimientos de seguridad son efectuados cuando se deshace de componentes, lubricantes, etc.
- Para limpiar la moldadura superior pásele un paño humedecido con un desgrasador de uso general suave.

Para un rendimiento óptimo

En condiciones de trabajo difíciles - juntas suaves y ajuste máximo - se recomienda la lubricación del aire.

Con aire sumamente seco, la vida útil de las aletas y la potencia de la máquina pueden reducirse. Introduzca diariamente aceite (0,1 - 0,2 ml) en la entrada de la máquina o instale un dispositivo automático de lubricación como el nebulizador de aceite o un lubricador de punto único, que mejorarán el rendimiento de la máquina.

Llenado de la unidad de impulsos con aceite

Para rendimiento óptimo de la máquina, tiene que ser correcta la cantidad de aceite en la unidad de impulsos. Debido a las posibles microfugas de aceite en la unidad de impulsos, puede ser necesario rellenar la unidad entre los intervalos regulares de servicio. La frecuencia de esta operación depende del tipo de aplicación, número de ciclos, tiempo de apriete, etc. Llenando la unidad de impulsos con precisión, se podrán mantener intervalos más largos entre llenados.

Demasiado aceite en la unidad de impulsos significa baja frecuencia de impulsos y aprietes lentos.

Demasiado poco aceite en la unidad de impulsos implica alta frecuencia de impulsos y una reducción del par de apriete. Especialmente en los primeros aprietes después de una pausa, la máquina puede embalsarse.

Usar aceite : 22 cST / 40 o C (ISO VG22).

Si la máquina se utiliza con demasiado poco aceite, pueden provocarse daños a la unidad de impulsos.

Después de rellenar, compruebe el par de apriete.

Protección contra el óxido y limpieza interna

El agua en el aire comprimido, el polvo y las partículas de desgaste producen óxido, agarrotamiento de las aletas, válvulas, etc. Se debe instalar un filtro de aire cerca de la máquina (ver "Calidad del aire"). Antes de largos periodos sin usarla, limpiar con aceite (unas gotas) por la entrada de aire, hacer funcionar la máquina durante 5 a 10 segundos, absorbiendo al mismo tiempo el aceite con un trapo.

Instrucciones de servicio

Se recomienda hacer revisiones periódicas y mantenimiento preventivo a intervalos regulares, una vez al año o tras 250.000 aprietes, lo que suceda primero. Pueden ser necesarias revisiones más frecuentes, en particular el cambio de aceite de la unidad de impulsos, si la máquina se utiliza con un par de apriete elevado y largos tiempos de apriete. Si la máquina no funciona correctamente, debe ser llevada inmediatamente a inspección.

El filtro situado en la entrada de aire y el silenciador del escape deben limpiarse con frecuencia o ser sustituidos a fin de impedir el agarrotamiento que disminuye la capacidad.

Durante las revisiones, todas las piezas deben limpiarse con precisión y las piezas defectuosas o desgastadas (por ejemplo, juntas tóricas, aletas) deben sustituirse.

ⓘ Todas las juntas tóricas deben engrasarse antes del montaje, en particular las juntas tóricas de la unidad de impulsos.

Es importante apretar debidamente las conexiones roscadas de la máquina, es decir, según las especificaciones en los despieces.

Montaje y desmontaje

Es de suma importancia que las conexiones de rosca de la herramienta se aprieten correctamente, es decir, de acuerdo con las especificaciones de los diagramas de composición.

Limpieza

Limpie detenidamente todas las piezas con aguarrás o un agente limpiador similar. Para evitar los atascos y la pérdida de potencia, limpie el filtro (si usa uno) y el filtro de escape entre servicios de mantenimiento.

Inspección

Tras la limpieza, inspeccione todas las piezas y cambie todas las piezas dañadas o desgastadas.

Lubricación

Lubrique sobre todos los engranes, la válvula y el embrague con una grasa que contenga bisulfuro de molibdeno (por ejemplo

Molykote BR2 Plus). Véanse los diagramas de composición y las figuras de la sección de Instrucciones de servicio.

Antes de montarlas, lubrique las juntas tóricas y las conexiones roscadas con grasa.

Guía de engrase

Marca	Objetivo general Cojinetes	Motor eje	Lubricación del aire
BP	Energrease LS-EP2		Energol E46
Castrol	Spheerol EP L2		
Esso	Beacon EP2		Arox EP46
Q8	Rembrandt EP2		Chopin 46
Mobil	Mobilegrease XHP 222		Almo oil 525
Shell	Alvania EP2		Tonna R32
Texaco	Multifak EP2		Aries 32
Molykote		BR2 Plus	
Lubrica- ting Engi- neers		Almagard- 3752	

Recambios

Por razones técnicas, las piezas sin referencia no se suministran por separado, al igual que las piezas incluidas en los kits de servicio.

El uso de recambios no originales de Desoutter puede disminuir las prestaciones y aumentar las necesidades de mantenimiento y, a discreción del fabricante, anular todas las garantías.

Datos técnicos

Velocidad nominal y rango de par

Velocidad nominal (Rpm)	6000
Rango de par (Nm)	20-36

Ruidos y vibraciones


Ruidos medidos según EN ISO 15744	dB(A)
Nivel de presión sonora medido	77
Nivel de energía sonora medido	
Distribución en método y producción	3

Vibraciones medidas según ISO 8662-7	m/s ²
Valor de vibraciones medido	<2.5
Distribución en método y producción	-

Declaración de valores de ruido y vibración

A nosotros, **Desoutter**, no se nos puede considerar responsables de las consecuencias de usar los valores declarados, en vez de los valores que reflejen la exposición real, en la evaluación de los riesgos potenciales de un puesto de trabajo sobre el que no tenemos control.

Todos los valores son correctos en el momento de la publicación. Para conocer la última información, visite www.desoutter-tools.com. Estos valores declarados se obtuvieron en pruebas de laboratorio en cumplimiento con las normas establecidas y no son adecuados para utilizarse en evaluaciones de riesgos. Los valores medidos en lugares de trabajo individuales podrían ser más altos que los valores declarados. Los valores de exposición reales y el

Part no	2050524003	
Issue no	2	
Series no	C	
Date	2012-09	
Page	16	

riesgo de peligro experimentado por un usuario individual son únicos y dependen del hábito de trabajo del usuario, la pieza en la que se está trabajando y el diseño de la estación de trabajo, además del tiempo de exposición y las condiciones físicas del usuario. Nosotros, Desoutter, no podemos aceptar responsabilidad por las consecuencias de utilizar los valores declarados en lugar de los valores que reflejan la exposición real en una evaluación de riesgo individual y en una situación de lugar de trabajo sobre los que no tenemos ningún control. Esta herramienta puede provocar síndrome de vibración. Si no se gestiona adecuadamente su utilización. Encontrará una guía de la UE respecto a la gestión de vibraciones transmitidas al sistema manobrazo en la página <http://www.human-vibration.com/EU/VIBGUIDE.htm> Se recomienda mantener un programa de control sanitario de detección precoz de los síntomas relacionados con la exposición a vibraciones, con objeto de modificar los procedimientos de gestión y así evitar posibles discapacidades.

GARANTÍA DESOUTTER

- 1) Este producto Desoutter se garantiza contra materiales o mano de obra defectuosos, durante un período máximo de 12 meses a partir de la fecha de compra ya sea a Desoutter o a cualquiera de sus agentes, siempre que su uso esté limitado a un turno de trabajo sencillo durante dicho período. Si el promedio de uso excede el de un turno de trabajo sencillo, el período de la garantía será reducido a prorrato.
- 2) Si durante el período de la garantía, el producto parece ser defectuoso cuanto a materiales o mano de obra, deberá ser devuelto a Desoutter o a cualquiera de sus agentes, junto con una breve descripción del defecto. A su sola discreción, Desoutter podrá disponer la reparación o el reemplazo gratis de los elementos que se consideran responsables de los materiales o mano de obra defectuosos.
- 3) Esta garantía no es aplicable a productos que han sido abusados, mal usados o alterados, o que han sido reparados usando piezas de repuesto que no sean piezas auténticas Desoutter, o que han sido reparados por otros que no sean Desoutter o cualquiera de sus agentes de servicio autorizados.
- 4) Si Desoutter incurre en gastos debidos a la corrección del abuso, mal uso, daño accidental o modificación no autorizada, dichos gastos deberán ser reembolsados en su totalidad a Desoutter.
- 5) Desoutter no acepta ninguna reclamación en concepto de mano de obra u otros gastos pertinentes a productos defectuosos.
- 6) Todos los daños directos, fortuitos o resultantes en modo alguno de cualquier defecto serán expresamente excluidos.
- 7) Esta garantía se otorga en lugar de cualquier otra garantía, o condiciones, expresas o implícitas, referente a calidad, comerciabilidad o conveniencia para cualquier propósito dado.
- 8) Nadie, ya sea un agente, ayudante o empleado de Desoutter, está autorizado a añadir o modificar los términos de esta garantía limitada de cualquier manera que sea.

Copyright

© Copyright 2010, Desoutter. Todos os direitos reservados. É proibida qualquer utilização ou cópia não autorizadas do conteúdo ou parte deste. Isto aplica-se particularmente a marcas registadas, denominações de modelo, números de peças e desenhos. Utilize apenas peças autorizadas. Quaisquer danos ou funcionamento defeituoso provocados pela utilização de peças não autorizadas não serão cobertos pela Garantia ou Responsabilidade do Produto.

Declaração de utilização

Este produto foi concebido para instalar e remover fi xadores de rosca em madeira, metal e plástico. Não é permitido outro tipo de utilização. Apenas para utilização profissional. O uso de outras peças sobressalentes/acessórios que não aqueles inicialmente fornecidos pelo fabricante, pode resultar numa diminuição do desempenho e/ou necessidade acrescida de manutenção/ nível de ruído / vibrações, e consequentemente, no total cancelamento da responsabilidade do fabricante.

Instalação

Qualidade do ar

- Para um desempenho óptimo e um tempo de vida útil da máquina o mais longo possível, recomendamos a utilização de ar comprimido com um ponto de orvalho entre +2°C e +10°C. Recomenda-se a instalação de um secador de ar de refrigeração.
- A utilização de um filtro de ar separado permite a remoção de partículas sólidas maiores do que 30 microns e mais de 90% de água líquida, quando instalado o mais perto possível da máquina e antes de qualquer outra unidade de preparação de ar. Faça passar o sopro de ar pela mangueira antes de a ligar.
- O ar comprimido deve conter uma pequena quantidade de óleo. Recomendamos vivamente que instale um lubrificador de névoa de óleo, normalmente ajustado a 3-4 gotas (50 mm³)/m³ de consumo de ar para um longo ciclo de funcionamento da ferramenta, ou um lubrificador de ponto único para ciclos curtos de funcionamento da ferramenta.
- Relativamente às ferramentas sem lubrificação, por opção do cliente, não é desvantajoso se o ar comprimido contiver uma pequena quantidade de óleo fornecido por um lubrificador. Uma excepção são as ferramentas com turbina que devem ser mantidas sem óleo. (consulte Acessórios de Linha de Ar no catálogo principal).

Ligação do ar comprimido

- A máquina foi concebida para uma pressão de trabalho (e) de 6 – 7 = 600 – 700 kPa = 6–7 kp/cm².
- Faça passar o sopro de ar pela mangueira soprar antes de a ligar.

Manuseio

Regulação do binário de aperto

- ⓘ O parafuso de ajuste (parafuso de estrela) e a válvula Trim são os únicos parafusos que deverão ser inicialmente ajustados.

Comece por um binário baixo e aumente gradualmente a regulação até obter o nível de binário desejado.

Se a máquina for usada com um binário superior ao máximo recomendado, pode resultar em mau funcionamento e desgaste precoce.

Verifique sempre o binário de aperto na junta usada, após um ajuste

ver Instruções de manutenção

Definição mínima de binário

Regule o parafuso de afinação para o nível mínimo. Com uma definição de juntas rígidas e binário mínimo, uma velocidade livre reduzida através da válvula Trim irá proporcionar uma maior precisão. O número mínimo recomendado de impulsos por aperto é de 3.

Definição máxima de binário

Comece com um nível de binário baixo. Aumente gradualmente a definição. Continue até que a função de corte seja visível. O tempo máximo de aperto recomendado é de 3 segundos.

Método de teste - Estático ou Dinâmico

Para as máquinas de percussão recomenda-se a medição do binário por método estático.

Se for usada uma medição dinâmica do binário com um transdutor electrónico de binário, verifique sempre o resultado através de medição estática com uma chave dinamométrica (electrónica).

ATENÇÃO

NUNCA LIGUE UMA FERRAMENTA PARCIALMENTE MONTADA À ALIMENTAÇÃO DE AR. AS LÂMINAS DO ROTOR DESTA FERRAMENTA CONTÉM PTFE. DEVEM SER OBSERVADAS TODAS AS RECOMENDAÇÕES NORMAIS DE SAÚDE E SEGURANÇA RELATIVAS A PTFE AO MANUSEAR ESTAS LÂMINAS DE ROTOR.



- NÃO FUME.
- OS COMPONENTES DO MOTOR DEVEM SER LAVADOS COM UM LÍQUIDO DE LIMPEZA, NÃO DEVEM SER LIMPOS COM JACTO DE AR.
- O SILENCIADOR DEVE SER SUBSTITUÍDO QUANDO ESTIVER SUJO. NÃO LIMPE E VOLTE A UTILIZAR.
- LAVE AS MÃOS ANTES DE INICIAR QUALQUER OUTRA ACTIVIDADE.

Manutenção

- Todos os valores de binário $\pm 10\%$.
- Ao descartar componentes, lubrificantes etc., certifique-se de que os procedimentos de segurança relevantes são observados.
- O revestimento deve ser limpo com um desengordurante neutro multiusos.

Para obter o máximo desempenho

Em condições duras de trabalho - juntas macias e regulação máxima - recomenda-se lubrificação do ar.

O ar extremamente seco pode reduzir a vida útil das palhetas e a potência da máquina. A adição diária de 0,1 - 0,2 ml de óleo na entrada da máquina irá melhorar o desempenho da máquina. Com uma definição de juntas rígidas e baixo binário de aperto, uma velocidade livre reduzida através da válvula Trim irá proporcionar uma maior precisão. Como alternativa, considere a montagem de



um dispositivo de lubrificação automático, um lubrificador de névoa de óleo, ou um lubrificador de ponto único, o que melhorará o desempenho da máquina.

Repor o óleo da unidade de impulso

Para obter o máximo rendimento da máquina, a unidade de impulso tem que conter a quantidade certa de óleo. Devido a fugas mínimas de óleo na unidade de impulso, pode ser necessário repor o óleo na unidade entre os intervalos de manutenção normais. A frequência com que este procedimento tem que ser efectuado, depende do tipo de aplicação, do número de ciclos, tempo de aperto etc. O reposição exacta de óleo da unidade de impulsos proporciona longos intervalos de manutenção.

Demasiado óleo na unidade de impulso implica uma baixa frequência de impulso e apertos lentos.

Uma quantidade insuficiente de óleo na unidade de impulso implica uma elevada frequência de impulso, havendo o risco de reduzir o binário de aperto. Especialmente nos primeiros apertos após uma pausa, a máquina pode acelerar.

Use óleo hidráulico : 22 cST / 40 °C (ISO VG22).

Se a máquina funcionar com pouco óleo, a unidade de impulso pode sofrer danos.

Após repor o óleo - Verificar o binário de aperto, fig. X.

Protecção anti-ferrugem e limpeza interna

Água no ar comprimido, poeira e partículas de desgaste podem causar ferrugem e irregularidades nas palhetas, válvulas etc. Deve-se instalar um filtro de ar perto da máquina (ver "Qualidade do ar"). Antes de paragens mais prolongadas, ponha óleo (algumas gotas) na entrada do ar, ponha a máquina a funcionar durante 5 a 10 segundos e absorva o óleo com um pano.

Instruções de manutenção

Recomenda-se que sejam efectuadas revisões e manutenção preventiva a intervalos regulares, uma vez por ano ou após um máximo de 250.000 apertos, conforme o que ocorrer primeiro. Pode ser necessário efectuar a manutenção com mais frequência, especialmente a mudança de óleo da unidade de impulso, se for usado com binário alto e tempos de aperto longos. Se a máquina não estiver a funcionar correctamente, deverá ser retirada imediatamente de serviço para inspecção.

O crivo de entrada de ar e o silenciador do tubo de escape devem ser limpos com frequência ou substituídos, a fim de evitar a sua obstrução, o que reduz a capacidade de trabalho.

Durante as revisões, todas as peças devem ser limpas cuidadosamente e as defeituosas ou gastas (como anilhas tóricas e palhetas) devem ser substituídas.

- ⓘ Todas as anilhas tóricas devem ser lubrificadas antes de ser montadas; isto é especialmente importante para as anilhas tóricas da unidade de impulso.

Desmontagem /montagem

É importante que as ligações roscadas da máquina sejam apertadas adequadamente, ou seja, de acordo com as especificações nas imagens destacadas.

Limpeza

Limpe muito bem todas as peças com diluente ou com um agente de limpeza idêntico. Para evitar efeitos de sujidade e diminuição da potência, pode ser necessário limpar o filtro de rede (se utilizado) e o filtro de escape entre as revisões.

Inspeção

Após a limpeza, inspecione todas as peças. As peças danificadas ou desgastadas devem ser substituídas.

Lubrificação

Lubrifique especialmente as engrenagens, a válvula e a embraiagem com massa lubrificante contendo bisulfureto de molibdénio (por exemplo Molykote BR2 Plus). Consulte as imagens destacadas e a fig. nas instruções de Manutenção.

Lubrifique as anilhas vedantes e as ligações roscadas com massa lubrificante antes da montagem.

Guia de massa lubrificante

Marca	Propósito geral Rolamentos	Motor veio	Lubrificação do ar
BP	Energrease LS-EP2		Energol E46
Castrol	Spheerol EP L2		
Esso	Beacon EP2		Arox EP46
Q8	Rembrandt EP2		Chopin 46
Mobil	Mobilegrease XHP 222		Almo oil 525
Shell	Alvania EP2		Tonna R32
Texaco	Multifak EP2		Aries 32
Molycote		BR2 Plus	
Lubricating Engineers		Almagard-3752	

Peças sobressalentes

As peças sem número de pedido, assim como as peças incluídas nos kits de Manutenção, não são, por razões técnicas, entregues separadamente.

A utilização de outras peças que não sejam as peças genuínas da Desoutter, pode resultar em uma diminuição do desempenho e num aumento da manutenção e pode, segundo opção da empresa, invalidar todas as garantias.

Dados técnicos

Velocidade nominal e faixa de torque

Velocidade nominal (rpm)	6000
Faixa de torque (Nm)	20-36


Ruído e vibração

Nível de ruído de acordo com a norma padrão EN ISO 15744	
	dB(A)
Nível de ruído medido	77
Nível determinado da potência de ruído	
Propagação em método e produção	3

Vibrações medidas de acordo com a norma padrão ISO 8662-7	
	m/s ²
Valor determinado de vibração	<2.5
Propagação em método e produção	-

Declaração do nível de ruído e vibrações

Os valores declarados foram testados em laboratório de acordo com os standards e não estão adequados para o uso de determinados riscos. Medição de valores em local de trabalho individual talvez sejam maiores do que os valores declarados. O valor exposto e risco de dano por um utilizador é único e depende da sua utilização, peça e local de trabalho, assim como de intempéries e condições físicas do utilizador.

Part no	2050524003	
Issue no	2	
Series no	C	
Date	2012-09	
Page	20	

Nós, **Desoutter**, não poderemos ser responsável pelos valores expostos num determinado local de trabalho onde não temos controlo.

GARANTIA DESOUTTER

- 1) Este produto Desoutter está garantido contra defeito de fabrico ou de material, pelo prazo máximo de 12 meses a contar da data da compra feita à Desoutter ou aos seus agentes, com a condição de que a utilização do produto se tenha limitado ao funcionamento em turno único durante o referido período. Caso a utilização tenha ultrapassado os limites do funcionamento em turno único, o período de garantia será reduzido proporcionalmente.
- 2) Caso o produto apresente sinais de defeito de fabrico ou de material durante o período de garantia, deverá ser devolvido à Desoutter ou aos seus agentes, juntamente com uma breve descrição do suposto defeito. Ficará a critério exclusivo da Desoutter a decisão de reparar ou substituir gratuitamente os artigos considerados defeituosos devido a erro de fabrico ou de material.
- 3) A presente garantia não se aplicará a produtos que tenham sido submetidos a abuso, utilização incorrecta ou modificações, ou que tenham sido reparados com outras peças que não as peças sobresselentes genuínas Desoutter, ou por outro agente que não o próprio fabricante Desoutter ou um técnico de reparações autorizado pelo mesmo.
- 4) Caso a Desoutter incorra em alguma despesa na reparação de uma falha resultante de abuso, utilização incorrecta, dano accidental ou modificação não autorizada, tal despesa deverá ser liquidada na íntegra.
- 5) A Desoutter não aceita qualquer reclamação relativa a mão-de-obra ou despesas de outra natureza, que diga respeito a produtos defeituosos.
- 6) Quaisquer danos directos, accidentais ou consequenciais que decorram de qualquer defeito estão expressamente excluídos.
- 7) A presente garantia substitui todas as demais garantias, ou condições, expressas ou implícitas, no que respeita a qualidade, viabilidade comercial ou adequação do produto a qualquer finalidade específica.
- 8) Nenhuma pessoa, seja agente, empregado ou funcionário da Desoutter, está autorizada a fazer aditamentos ou modificar os termos desta garantia limitada, seja de que forma for.

Copyright

© Copyright 2010, Desoutter. Tutti i diritti riservati. È vietata la riproduzione totale o anche solo parziale del presente documento salvo previa autorizzazione, specialmente per quanto concerne i marchi depositati, le denominazioni dei modelli, i numeri di codice e le illustrazioni. Si raccomanda di impiegare esclusivamente componenti autorizzati. Gli eventuali danni o difetti di funzionamento dovuti all'uso di componenti non autorizzati non sono coperti né dalla garanzia né dalle eventuali rivendicazioni di responsabilità sul prodotto.

Dichiarazione d'uso

Questo prodotto è progettato per l'installazione e la rimozione di viti in legno, metallo e plastica. È vietato qualsiasi altro impiego. Solo per uso professionale. L'utilizzo di parti/accessori di ricambio diversi da quelli forniti inizialmente dal produttore potrebbe dar luogo a un degrado delle prestazioni e/o all'aumento di interventi di manutenzione /livello di rumorosità /vibrazioni provocando, come risultato, l'annullamento di ogni responsabilità da parte del produttore.

Installazione

Qualità dell'aria

- Per ottenere le massime prestazioni e durata della macchina, utilizzare aria compressa con punto di rugiada compreso tra +2°C e +10°C. Si raccomanda l'installazione di un essicatore-refrigeratore d'aria.
- Utilizzare un filtro dell'aria separato che rimuova i corpi solidi di grandezza superiore a 30 micron e oltre il 90% dell'acqua, installandolo il più vicino possibile alla macchina e a monte di qualsiasi altra unità di trattamento dell'aria. Pulire il flessibile prima di collegarlo.
- L'aria compressa deve contenere una piccola quantità d'olio. Si raccomanda di installare un lubrificatore a nebbia d'olio, generalmente impostato su 3-4 gocce (consumo d'aria 50 mm³/m³), per cicli di funzionamento prolungati oppure un lubrificatore monopunto per brevi cicli di funzionamento.
- Negli attrezzi che non necessitano di lubrificazione, la piccola quantità d'olio nell'aria compressa, fornita da un lubrificatore, non comporta alcun problema. Un'eccezione è rappresentata dagli attrezzi a turbina, che devono essere mantenuti privi d'olio. (vedere Accessori per il trattamento dell'aria nel nostro catalogo principale).

Collegamento alla rete dell'aria compressa

- L'utensile è stato progettato per una pressione di esercizio massima (e) di 6-7 bar = 600-700 kPa = 6-7 kp/cm².
- Prima di collegare il flessibile, pulirlo con aria.

Uso

Impostazione della coppia di serraggio

- ① Inizialmente devono essere regolate solamente la vite di regolazione (vite scanalata) e la valvola di assetto.

Iniziare da una bassa coppia di serraggio ed aumentare gradualmente l'impostazione fino a raggiungere la coppia di serraggio desiderata.

L'uso della macchina ad una coppia di serraggio superiore a quella raccomandata può provocare problemi di funzionamento e la rapida usura della macchina.

Controllare sempre la regolazione sul giunto effettivo
Vedere Istruzioni per la manutenzione.

Impostazione minima della coppia di serraggio

Impostare la vite di regolazione sul livello minimo. Su giunti duri e con una coppia di serraggio minima, la riduzione della velocità libera mediante la valvola di regolazione consente di migliorare la precisione. Il numero minimo consigliato di pulsazioni per il serraggio è 3.

Impostazione massima della coppia di serraggio

Iniziare con una coppia di serraggio di livello basso. Incrementare gradualmente l'impostazione. Continuare finché non si attiva la funzione di spegnimento. L'intervallo massimo di serraggio è 3 secondi.

Metodo di prova - statico o dinamico

Per le macchine Pulse Tool si raccomanda la misurazione statica della coppia.

In caso di misurazione dinamica della coppia con un trasduttore di coppia elettronico in linea, verificare sempre il risultato di misurazione mediante un controllo statico con chiave dinamometrica (elettronica).

ATTENZIONE



NON COLLEGARE MAI L'ALIMENTAZIONE DELL'ARIA ALL'UTENSILE SE È MONTATO SOLO IN PARTE. LE PALETTE DEL ROTORE CONTENGONO PTFE. OSSERVATE LE NORME DI SICUREZZA CHE RIGUARDANO LO SMALTIMENTO DI QUESTO MATERIALE.

- NON FUMARE.
- LAVARE I COMPONENTI CON UN FLUIDO ADATTO E NON CON UN GETTO D'ARIA.
- SOSTITUIRE I SILENZIATORI ESAUSTI E NON PULIRLI PER RIUTILIZZARLI.
- LAVARSI ACCURATAMENTE LE MANI DOPO LA MANUTENZIONE DEGLI UTENSILI.

Manutenzione

- Tutti i valori di coppia ±10%.
- Osservare le procedure di smaltimento dei pezzi usurati e dei lubrificanti esausti.
- Pulire l'esterno dell'impugnatura con uno sgrassante per pulizia non aggressivo.

Per ottenere le massime prestazioni

In caso di condizioni di lavoro estreme - giunti morbidi ed impostazione max. - si raccomanda di lubrificare l'aria compressa.

L'aria compressa eccessivamente secca può ridurre la durata di palette ed attrezzo. Alimentando quotidianamente 0,1-0,2 ml d'olio nella macchina o utilizzando un lubrificatore automatico a nebbia d'olio oppure un singolo lubrificatore, è possibile ottimizzare le prestazioni della macchina.

Rabboccare l'unità ad impulsi con olio

Per ottenere le massime prestazioni, l'unità ad impulsi deve essere riempita correttamente d'olio. In seguito ad eventuali microperdite



d'olio dall'unità ad impulsi può essere necessario rabboccare l'unità in occasione degli interventi di revisione periodici. L'intervallo di rabbocco dipende dal tipo di applicazione, dal numero di cicli, dal tempo di serraggio, ecc. Il rabbocco preciso dell'unità ad impulsi permette di prolungare gli intervalli di manutenzione.

Una quantità eccessiva d'olio nell'unità ad impulsi provoca una bassa frequenza di impulso e lenti serraggi.

Una quantità insufficiente d'olio nell'unità ad impulsi provoca un'alta frequenza di impulso ed il rischio di diminuzione della coppia di serraggio. In particolare, tale evenienza si può verificare durante i primi serraggi dopo la rottura della macchina.

Olio idraulico: 22 cST / 40°C (ISO VG22).

Il funzionamento della macchina con una quantità d'olio insufficiente può provocare danni all'unità ad impulsi.

Dopo il rabbocco, controllare la coppia di serraggio.

Protezione antiruggine e pulizia interna


Acqua, polvere e particelle di usura nell'aria compressa possono provocare l'ossidazione ed il grippaggio di palette, valvole, ecc. In prossimità della macchina deve essere installato un filtro dell'aria (vedere 'Qualità dell'aria'). Prima di periodi di inutilizzo prolungati, inserire alcune gocce d'olio nell'entrata dell'aria, far funzionare la macchina per 5-10 secondi ed assorbire l'olio con un panno.

Istruzioni per la manutenzione

La revisione e la manutenzione preventiva devono essere effettuate ad intervalli regolari almeno una volta all'anno oppure dopo un massimo di 250.000 serraggi, a seconda della scadenza che si presenta per prima. Qualora la macchina sia utilizzata con coppie elevate e lunghi tempi di serraggio può essere necessario revisionarla più frequentemente, ed in particolare cambiare l'olio nell'unità ad impulsi. Se non funziona correttamente, la macchina deve essere controllata immediatamente.

Il filtro a reticella dell'ingresso dell'aria e il filtro di scarico devono essere puliti frequentemente o sostituiti per evitarne l'intasamento, che porterebbe ad una diminuzione delle prestazioni della macchina.

In sede di revisione, pulire a fondo tutte le parti e sostituire le parti danneggiate o usurate (ad esempio O-ring, palette).

 Ingrassare tutti gli O-ring prima del montaggio, in particolare quelli nell'unità ad impulsi.

Montaje y desmontaje

Es de suma importancia que las conexiones de rosca de la herramienta se aprieten correctamente, es decir, de acuerdo con las especificaciones de los diagramas de composición.

Limpeza

Limpie detenidamente todas las piezas con aguarrás o un agente limpiador similar. Para evitar los atascos y la pérdida de potencia, limpie el filtro (si usa uno) y el filtro de escape entre servicios de mantenimiento.

Inspección

Tras la limpieza, inspeccione todas las piezas y cambie todas las piezas dañadas o desgastadas.

Lubricación

Lubrique sobre todos los engranes, la válvula y el embrague con una grasa que contenga bisulfuro de molibdeno (por ejemplo Molykote BR2 Plus). Véanse los diagramas de composición y las figuras de la sección de Instrucciones de servicio.

Antes de montarlas, lubrique las juntas tóricas y las conexiones roscadas con grasa.

Guida alla scelta del grasso

Marca	Universale Cusinetti	Motor asse	Lubrificazione dell'aria
BP	Energrease LS-EP2		Energol E46
Castrol	Speherol EP L2		
Esso	Beacon EP2		Arox EP46
Q8	Rembrandt EP2		Chopin 46
Mobil	Mobilegrease XHP 222		Almo oil 525
Shell	Alvania EP2		Tonna R32
Texaco	Multifak EP2		Aries 32
Molycote		BR2 Plus	
Lubricating Engineers		Almagard-3752	

Ricambi

Per motivi tecnici, i ricambi senza numero di ordinazione non vengono spediti separatamente come i ricambi inclusi nei kit di assistenza.

L'uso di ricambi non originali Desoutter può compromettere le prestazioni e comportare maggiori interventi di manutenzione nonché invalidare tutte le garanzie, a discrezione dell'azienda.

Dati tecnici

Velocità nominale e intervallo di coppia

Velocità nominale (g-m)	6000
Intervallo di coppia (Nm)	20-36


Rumore e di vibrazioni

Emissione sonora misurati in conformità EN ISO 15744	
	dB(A)
Livello di pressione sonora misurato	77
Livello di energia sonora determinato	
Distribuzione in metodo e produzione	3

Emissione di vibrazione misurati in conformità a ISO 8662-7	
	m/s ²
Valore delle vibrazioni misurato	<2.5
Distribuzione in metodo e produzione	-

Dichiarazione relativa al rumore e alle vibrazioni

Tutti i valori sono vigenti alla data della presente pubblicazione. Per informazioni più recenti, visitare www.desouttertools.com. I valori dichiarati sono stati ottenuti da test eseguiti in laboratorio in conformità con le norme stabilite e non sono adeguati per l'uso nella valutazione dei rischi. I valori rilevati in determinati luoghi lavorativi possono essere superiori ai valori dichiarati. I valori di esposizione reali e il rischio di pericolo a cui il singolo utente è soggetto sono esclusivi e dipendono dal modo in cui la persona lavora, dal pezzo in lavorazione e dalla struttura dell'area di lavoro, nonché dai tempi di esposizione e dalle condizioni fisiche dell'utente. Noi, Desoutter, non possiamo essere ritenuti responsabili per le conseguenze derivanti dall'uso dei valori dichiarati, anziché di valori che riflettono l'esposizione effettiva, nella specifica valutazione di eventuali rischi in un luogo lavorativo su cui non abbiamo alcun controllo. Se non utilizzato in modo idoneo, questo utensile può provocare la sindrome da vibrazioni

Part no	2050524003	
Issue no	2	
Series no	C	
Date	2012-09	
Page	24	

manobraccio. Per una guida UE sulla gestione delle vibrazioni mano-braccio, consultare l'indirizzo internet <http://www.humanvibration.com/EU/VIBGUIDE.htm> Si raccomanda l'adozione di un programma di controllo sanitario finalizzato a individuare i primi sintomi di un'eventuale esposizione alle vibrazioni, affinché sia possibile modificare le procedure di gestione e aiutare a prevenire disabilità significative.

Garanzia DESOUTTER

- 1) Questo prodotto Desoutter è garantito da difetti di lavorazione o dei materiali per un periodo massimo di 12 mesi a partire dalla data di acquisto presso Desoutter o i suoi rappresentanti, sempre che il suo impiego sia stato limitato ad un unico turno per tutto quel periodo; se il ritmo di impiego supera il funzionamento durante un unico turno, la durata della garanzia deve essere ridotta in modo proporzionale.
- 2) Se durante il periodo della garanzia il prodotto presenta difetti di lavorazione o dei materiali, esso deve essere restituito a Desoutter o ai suoi rappresentanti, unitamente ad una breve descrizione del presunto difetto. Desoutter deciderà, a sua discrezione, se dare disposizioni per la riparazione o sostituzione gratuita dei componenti che ritiene essere difettosi, quale risultato di difetti di lavorazione o dei materiali.
- 3) Questa garanzia non è valida per quei prodotti che sono stati usati in modo improprio o impropriamente modificati, o che sono stati riparati usando ricambi non originali Desoutter e non da Desoutter o dai suoi rappresentanti autorizzati.
- 4) Se Desoutter dovesse andare incontro a spese per riparare un guasto causato da cattivo uso, uso improprio, danni accidentali o modifica non autorizzata, essa richiederà il rimborso totale di tale spesa.
- 5) Desoutter non accetta nessuna richiesta di risarcimento per spese di manodopera o di altro tipo causate da prodotti difettosi.
- 6) Si escludono espressamente danni diretti, incidentali o indiretti di qualsiasi tipo dovuti a qualsiasi difetto.
- 7) Questa garanzia viene data al posto di ogni altra garanzia o condizione, espressa o implicita, riguardante la qualità, commerciabilità o idoneità per qualsiasi scopo particolare.
- 8) Nessuno, neppure i rappresentanti, dipendenti o impiegati di Desoutter, è autorizzato ad ampliare o modificare, in qualsiasi modo, i termini di questa garanzia limitata.

Copyright

© Copyright 2010, Desoutter. Alle rechten voorbehouden. Het zonder toestemming gebruiken of kopiëren van de inhoud of delen daarvan is verboden. Dit is In het bijzonder van toepassing op handelsmerken, modelaanduidingen, onderdeelnummers en tekeningen. Gebruik alleen goedgekeurde onderdelen. Schade of defecten die veroorzaakt zijn door het gebruik van niet-goedgekeurde onderdelen vallen niet onder de garantiebepalingen.

Gebruiksverklaring

Dit product is ontwikkeld voor het installeren en verwijderen van schroeven in hout, metaal en plastic. Andere toepassingen zijn niet toegestaan. Alleen voor professioneel gebruik. Het gebruik van onderdelen/accessoires anders dan origineel geleverd door de leverancier kan resulteren in een prestatieverlies en/of meer onderhoud/hoger geluidsniveau/trillingen en als gevolg daarvan een volledige annulering van de aansprakelijkheid van de fabrikant.

Installatie

Luchtkwaliteit

- Voor optimale prestaties en een maximale levensduur van de machine raden wij het gebruik van perslucht met een dauwpunt tussen +2°C en +10°C aan. De installatie van een luchtdroger van koeltype wordt aanbevolen.
- Gebruik een afzonderlijk luchtfilter Dit verwijdert vaste deeltjes groter dan 30 micron en meer dan 90% van vloeibaar water. Monteer dit zo dicht mogelijk bij de machine, vóór enige andere unit voor het prepareren van lucht. Blaas de slang uit alvorens deze aan te sluiten.
- De perslucht moet een kleine hoeveelheid olie bevatten. Wij raden u sterk aan een olienevelaar, die normaliter op 3-4 druppels (50 mm³)/m³ luchtverbruik voor gereedschappen met lange draaicycli is ingesteld, of een eenpuntssmeertoestel voor gereedschappen met korte draaicycli te installeren.
- Betreffende smeringsvrije gereedschappen is het, ter keuze van de klant, niet ongunstig wanneer de perslucht een kleine hoeveelheid olie als geleverd vanuit een smeertoestel bevat. Een uitzondering wordt gevormd door turbinegereedschappen, die vrij van olie moeten blijven. (zie a.u.b. Luchtleidingsaccessoires in onze hoofdcatalogus).

Persluchtaansluiting

- Het gereedschap is ontworpen voor een bedrijfsdruk (e) van 6 – 7 bar = 600 – 700 kPa = 6 – 7 kg/cm².
- Blaas de slang uit alvorens hem aan te sluiten.

Bediening

Instelling van het aandraaikoppel

- ⓘ De stelschroef (sleufschroef) en de "trim"-klep zijn de enige schroeven die in eerste instantie moeten worden bijgesteld.

Begin met een laag koppelniveau en verhoog de instelling geleidelijk aan tot u het gewenste koppelniveau bereikt.

Het gebruik van een machine boven het aanbevolen maximale aandraaikoppel kan resulteren in een slechte werking en snellere slijtage.

Controleer altijd de instelling op de schroefverbinding die u momenteel aan het uitvoeren bent

Lezen Onderhoudsinstructies

Min. aandraaikoppelinstelling

Draai de stelschroef naar het laagste niveau. Bij vaste schroefverbindingen en een minimale aandraaikoppelinstelling verbetert een door middel van de trimklep gereduceerd vrijtoerental de nauwkeurigheid. Min. aanbevolen aantal pulsen per aanhaalsessie is 3.

Max. aandraaikoppelinstelling

Begin op een laag aandraaikoppelniveau. Verhoog de instelling geleidelijk. Ga door tot het moment waarop de uitschakelfunctie wordt geactiveerd. Max. aanbevolen aanhaaltijd is 3 seconden.

Testmethode - Statisch of dynamisch

Voor de Pulse Tool-machines is een statische koppelmeter aanbevolen.

Als een dynamische koppelmeter met behulp van een elektronische in-line-koppelomzetter wordt gebruikt, controleer dan altijd uw meetresultaat via een statische controle met behulp van een (elektronische) momentsleutel.

WAARSCHUWING

SLUIT EEN ONVOLLEDIG GEMONTEERD APPARAAT NOOIT OP DE PERSLUCHTVOEDING AAN. DE ROTORSCHOEPEN IN DIT GEREEDSCHAP BEVATTEN PTFE. NEEM DE GANGBARE GEZONDHEIDS- EN VEILIGHEIDSVORSCHRIFTEN M.B.T. PTFE IN ACHT TIJDENS DE BEHANDELING VAN DEZE ROTORSCHOEPEN.



- NIET ROKEN.
- REINIG DE MOTORCOMPONENTEN MET REINIGINGSVLOEISTOF; ZE MOGEN NIET MET DRUKLUCHT SCHOONGEBLAZEN WORDEN.
- VERVANG DE GELUIDSDEMPER WANNEER HIJ SMERIG IS. GELUIDSDEMPER NIET REINIGEN EN WEER GEBRUIKEN.
- WAS UW HANDEN VOORDAT ANDERE WERKZAAMHEDEN UITGEVOERD WORDEN.

Onderhoud

- Alle aanhaalkoppels zijn ±10 %.
- Neem de desbetreffende veiligheidsvoorschriften in acht wanneer onderdelen, smeermiddelen, enz. worden weggegooid.
- Wrijf de draaiklem rond het handvat schoon met een algemene, niet bijtende ontvetter.

Voor maximale prestaties

Bij zware werkvoorwaarden - zachte verbindingen en maximale instelling - is het aan te bevelen de lucht te smeren.

Bij extreem droge lucht kunnen de levensduur van de schoepen en het vermogen van het gereedschap verminderen. Voer dagelijks 0,1 - 0,2 ml olie toe in de machine-inlaat of overweeg een automatisch smeertoestel, olie-nevelaar of een eenpuntssmeertoestel, dat de machineprestaties zal verbeteren.

Vul de pulseenheid met olie

Voor optimale prestaties van de machine moet de pulseenheid met de juiste hoeveelheid olie worden gevuld. Wegens een mogelijke



microlekkage van de olie uit de pulseenheid zou het nodig kunnen zijn de eenheid tussen de regelmatige onderhoudsbeurten bij te vullen. De frequentie van deze procedure hangt af van het type toepassing, het aantal cycli, de aandraaitijd enz. Een juist bijvullen van de pulseenheid zorgt nl. voor grotere service-intervallen.

Te veel olie in de pulseenheid heeft een lage puls frequentie en trage aandraai bewerkingen tot gevolg.

Te weinig olie in de pulseenheid levert een hoge puls frequentie op en er is een risico van een verminderd aandraaikoppel. Meer bepaald kan de machine bij de eerste aandraai bewerkingen na een pauze op hol slaan.

Gebruik hydraulische olie : 22 cST / 40°C (ISO VG22).

De machine een tijd laten lopen met te weinig olie kan de pulseenheid beschadigen.

Controleer het aandraaikoppel na het bijvullen.

Bescherming tegen roest en reiniging van het inwendige van de machine

Water in de perslucht, stof en afgesleten deeltjes veroorzaken roest en het vastkleven van schoepen, kleppen enz. Breng zo dicht mogelijk bij de machine een luchtfilter aan (zie "Luchtkwaliteit"). Voor langere stilstanden van de machine dient u ze met (enkele druppels) olie door te spoelen via de luchtinlaat. Laat de machine gedurende 5-10 seconden lopen en neem de olie met een doek af.

Onderhoudsinstructies

Revisie en preventief onderhoud is aanbevolen bij geregelde intervallen eenmaal per jaar of na maximaal 250.000 aandraai bewerkingen afhankelijk van wat zich het eerst voordoet. Een frequentere revisie kan nodig zijn, meer bepaald het verversen van de olie in de pulseenheid, indien gebruikt bij hoog koppel en een lange aandraaitijden. Als de machine niet goed werkt, moet ze onmiddellijk uit productie genomen worden voor inspectie.

Het filter in de luchtinlaat en de uitlaademper moeten geregeld gereinigd of vervangen worden om verstopping te vermijden, waardoor de capaciteit vermindert.

Bij de reparaties moeten alle onderdelen zorgvuldig schoongemaakt worden en moeten defecte of versleten onderdelen (nl. O-ringen, schoepen) worden vervangen.

- Alle O-ringen moeten worden ingevet voor de montage; bijzonder belangrijk zijn de O-ringen in de pulseenheid.

Demontage/montage

Het is belangrijk dat de schroefdraadverbindingen van de machine degelijk zijn aangehaald, d.w.z. overeenkomstig de specificaties op de explosietekeningen.

Reiniging

Reinig alle onderdelen grondig met white spirit of met een gelijkaardig reinigingsmiddel. Om verstopping en een vermindering van het vermogen te vermijden, kan het nodig zijn de filter (indien gebruikt) en de uitlaatfilter tussen de revisies in te reinigen.

Inspectie

Inspecteer alle onderdelen na de reiniging. Beschadigde en versleten onderdelen moeten worden vervangen.

Smeren

Smeer vooral de tandwielen, de klep en de koppeling met vet dat molybdeendisulfide bevat (b.v. Molykote BR2 Plus). Zie de explosietekeningen en de fig. onder Onderhoudsinstructies.

Smeer de O-ringen en de schroefdraadverbindingen met vet alvorens ze weer samen te bouwen.

Smeergids

Merk	Algemene doeleinden Lagers	Motor as	Luchtsmeeren
BP	Energlease LS-EP2		Energol E46
Castrol	Spheerol EP L2		
Esso	Beacon EP2		Arox EP46
Q8	Rembrandt EP2		Chopin 46
Mobil	Mobilegrease XHP 222		Almo oil 525
Shell	Alvania EP2		Tonna R32
Texaco	Multifak EP2		Aries 32
Molycote		BR2 Plus	
Lubricating Engineers		Almagard-3752	

Reserveonderdelen

Onderdelen zonder ordernummer worden om technische redenen niet afzonderlijk geleverd maar zitten in de servicekits.

Het gebruik van andere dan originele Desoutter-reserveonderdelen kan nadelig zijn voor de prestaties en kan meer onderhoudswerk met zich mee brengen; de onderneming kan in geval van een garantieaanspraak ook beslissen dat alle waarborgen vervallen.

Technische gegevens

Nominale snelheid en koppelbereik

Nominale snelheid (rpm)	6000
Koppelbereik (Nm)	20-36

Geluids- en trillingsniveau

Waarden van het geluidsniveau volgens EN ISO 15744	
	dB(A)
Gemeten geluidsdruk	77
Vastgesteld geluidsvermogen	
Spreading volgens methode en productie	3

Trillingswaarden volgens ISO 8662-7	
	m/s ²
Gemeten trillingswaarde	<2.5
Spreading volgens methode en productie	-

Verklaring betreffende geluids- en trillingswaarden

Deze opgegeven waarden zijn verkregen tijdens laboratorium type-testen volgens de bovengenoemde normen, en zijn niet geschikt voor gebruik bij risicoanalyse. Gemeten waarden kunnen in individuele werkomstandigheden afwijken van de opgegeven waarden. De werkelijke waarden en risico's waaraan een individuele gebruiker wordt blootgesteld zijn onder meer afhankelijk van: de werkwijze, het werkstuk, de werkomgeving, de blootstellingsduur en de lichamelijke conditie van de gebruiker.

Wij, **Desoutter**, kunnen niet verantwoordelijk worden gehouden voor de gevolgen van het gebruik van de opgegeven waarden, in plaats van waarden die overeenkomen met de werkelijke blootstelling, bij een individuele risicoanalyse van werkomstandigheden waarop wij geen invloed hebben.

DESOUTTER GARANTIEVOORWAARDEN

- 1) Dit Desoutter-product is gedurende 12 maanden gegarandeerd tegen materiaal en/of constructiefouten, op voorwaarde dat het gedurende die tijd alleen in enkelvoudige ploegbediening wordt gebruikt. Indien het gebruik enkelvoudige ploegbediening overtreft, dan wordt de garantieperiode naar verhouding verkort. Deze garantie zal ingaan op de dag dat het aangekochte Desoutter-product geleverd wordt door ofwel Desoutter of een van haar officieel erkende agenten.
- 2) Indien het Desoutter-product gedurende de garantie-periode gebreken vertoont ten gevolge van een materiaal- en/of constructiefout, dient het Desoutter-product binnen de garantietermijn met een korte beschrijving van het defect te worden geretourneerd naar Desoutter of een van haar officieel erkende agenten. Desoutter zal op haar beurt de artikelen die gebreken vertonen ten gevolge van een materiaal- en/of constructiefout herstellen of vervangen.
- 3) Om aanspraak te kunnen maken op garantie zullen periodiek onderhoud en/of herstellingen steeds uitgevoerd moeten zijn door Desoutter en/of haar officieel erkende agenten. De garantie komt te vervallen indien de Desoutter-producten misbruikt worden, op onjuiste wijze gebruikt worden, door een ongeval beschadigd worden, veranderd zijn of indien ze gerepareerd of onderhouden zijn door een niet door Desoutter-erkende reparateur en/of met niet-originele Desoutter-onderdelen.
- 4) In alle gevallen bedoeld in artikel 4 zullen de onkosten (met inbegrip van de arbeidskosten) gemaakt door Desoutter worden gefactureerd. Ingeval de klant om herstelling vraagt zal deze eveneens worden gefactureerd.
- 5) Desoutter zal niet aansprakelijk zijn voor eventuele directe of indirecte schade (zoals met name tijdverlies, commerciële schade, administratieve kosten, enige vorm van schadevergoeding), behoudens hetgeen wordt voorzien in het hierboven vermelde artikel 3.
- 6) Deze garantie wordt gegeven in plaats van alle andere garanties of voorwaarden met betrekking tot de kwaliteit, verkoopbaarheid of geschiktheid voor enig bepaald doel.
- 7) Geen enkel persoon, met inbegrip van agenten en werknemers van Desoutter, heeft het recht om iets aan de voorwaarden van deze beperkte garantie toe te voegen of deze op enigerlei wijze te veranderen.
- 8) Niemand, met inbegrip van vertegenwoordigers en werknemers van Desoutter, heeft het recht om iets aan de voorwaarden van deze beperkte garantie toe te voegen of deze op enigerlei wijze te veranderen.



Copyright

© Copyright 2010, Desoutter. Alle rettigheder forbeholdes. Indholdet eller en del deraf må ikke anvendes eller kopieres uden tilladelse. Dette gælder i særdeleshed varemærker, modelbetegnelser, delnumre og tegninger. Brug kun originale dele. Beskadigelse eller svigt som følge af brug af uoriginale dele er ikke dækket af garantien eller produktansvaret.

Erklæring om brug

Dette produkt er beregnet til at installere og fjerne fastgørelsesenheder med gevind i/fra træ, metal og plastik. Anden brug er ikke tilladt. Kun til professionel brug. Brug af andre reservedele/ andet tilbehør end dem, der originalt medfølger fra fabrikanten, kan medføre fald i ydeevnen og/eller forøge vedligeholdelsen/støjniveauet/vibrationerne, og som resultat heraf komplet bortfald af fabrikantens ansvar.

Installation

Luftkvalitet

- Det anbefales at bruge trykluft med et dugpunkt mellem +2 °C og +10 °C for at opnå optimal ydelse og maksimal maskinlevetid. Det anbefales at installere en lufttørrer af nedkølingstypen.
- Brug et særskilt luftfilter, fjern faste partikler, som er større end 30 mikron og mere end 90 % af flydende vand. Installer filteret så tæt som muligt på maskinen, og før installationen af nogen anden luftbehandlingsenhed. Blæs slangen ud, før den tilsluttes.
- Tryklufte skal indeholde en lille mængde olie. Det anbefales kraftigt at installere en olietåge-smøreanordning, som normalt indstilles til 3-4 dråber (50 mm³)/m³ luftforbrug for værktøj, der kører lange cyklusser, eller en lokaliseret smøreanordning til værktøj, der kører korte cyklusser.
- Hvad angår smørefrit værktøj er det ingen ulempe, hvis tryklufte efter kundens valg indeholder en lille mængde olie fra en smøreanordning. En undtagelse er turbineværktøj, som skal holdes frit for olie. (se Luftledningstilbehør i vort hovedkatalog).

Tilslutning for trykluft

- Maskinen er konstrueret til et arbejdstryk (e) på 6–7 bar = 600–700 kPa = 6–7 kp/cm².
- Blæs slangen igennem, inden den forbindes.

Håndtering

Indstilling af tilspændingsmoment

- ① Justérskruen (den notede skrue) og trimventilen er de eneste skrue, der skal justeres fra starten.

Start ved et lavt drejningsmoment og forøg gradvist indstillingen, til det ønskede drejningsmoment nås.

Anvendelse af en maskine over det anbefalede maksimale drejningsmoment kan medføre ukorrekt funktion og hurtigere slid.

Kontrollér altid indstillingen på den aktuelle samling

Se Serviceinstruktion

Min. indstilling for drejningsmoment

Sæt indstillingskruen til det lavest mulige niveau. Ved hårde samlinger og ved min. indstilling for drejningsmoment vil den nedsatte friløbshastighed, som Trim-ventilen giver, øge nøjagtigheden. Det anbefalede minimale antal pulser pr. tilspænding er 3.

Maks. indstilling for drejningsmoment

Start ved et lavt drejningsmoment. Øg indstilling gradvis. Fortsæt så længe nedlukningsfunktionen er tydelig. Den anbefalede maksimale tilspændingstid er 3 sekunder.

Testmetode - Statisk eller dynamisk

Det anbefales at anvende statisk måling af drejningsmoment til Pulse-værktøj.

Hvis der anvendes dynamisk måling af drejningsmomentet med en elektronisk inline momenttransducer, skal man altid kontrollere måleresultatet med en statisk kontrol med en momentnøgle (elektronisk).

ADVARSEL



TILSLUT ALDRIG TRYKLUF, FØR VÆRKTØJET ER HELT SAMLET! ROTORBLADENE I DETTE VÆRKTØJ INDHOLDER PTFE. GÆLDENDE FORSKRIFTER M.H.T. SUNDHED OG SIKKERHED SKAL OVERHOLDES NÅR MAN ARBEJDER MED ROTORBLADENE.

- RYGNING FORBUDT!!
- MOTORDELENE SKAL VASKES RENE I RENGØRINGSMIDDEL OG MÅ IKKE TØRRES VED HJÆLP AF TRYKLUF.
- LYDDÆMPEREN SKAL UDSKIFTES NÅR DEN ER SNAVSET. DEN MÅ IKKE RENGØRES OG BRUGES IGEN.
- VASK HÆNDERNE INDEN ET NYT ARBEJDE BEGYNDES!

Vedligeholdelse

- Alle momentværdier ±10%
- Vær sikker på at de gældende sikkerhedsregler overholdes dele og smøremidler, etc. skal bortskaffes.
- Den udvendige støbning af motorhuset tørres rent med et ikke-aggressivt universalaffedtningsmiddel.

For maksimal ydelse

Ved hårde arbejdsforhold - bløde samlinger og maks. indstilling - anbefales luftsmøring.


Ved ekstremt tør luft kan lamellernes levetid og værktøjets effekt være nedsat. En daglig olietilførsel (0,1 - 0,2 ml) i maskinens luftindgang eller tilkobling af en automatisk smøreanordning olietågesmører eller en enkeltpunktssmører vil forbedre maskinens ydelse.

Efterfyld impuls-enheden med olie

For at opnå den optimale ydelsen for maskinen skal oliemængden i impulsenheden være korrekt. På grund af mulighed for mikrolækage af olie fra impuls-enheden kan det være nødvendigt at efterfylde enheden mellem de normale serviceintervaller.

Hyppigheden af denne procedure afhænger af anvendelsesformen, antallet af anvendelser, tilspændingstid etc. en nøjagtig efterfyldning af impuls-enheden giver lange serviceintervaller.

For meget olie i impulsenheden medfører en lav impulsfrekvens og langsomme tilspændinger.

Part no	2050524003	
Issue no	2	
Series no	C	
Date	2012-09	
Page	30	

For lidt olie i impulsenheden medfører en højere impulsfrekvens, og der vil være risiko for faldende tilspændingsmoment. Specielt ved de første tilspændinger efter en stilstand kan maskinen løbe for hurtigt.

Benyt hydraulikolie: 22 cST / 40 °C (ISO VG22).

Hvis maskinen anvendes med for lidt olie, kan impuls-enheden blive beskadiget.

Efter påfyldning kontrolleres tilspændingsmomentet.

Rustbeskyttelse og indvendig rengøring


Vand i tryklufften, støv og slibende partikler kan medføre rust og fastsiddende lameller, ventiler etc. Der bør monteres et luftfilter i nærheden af maskinen (se 'Luftkvalitet'). Før længere stilstand hældes nogle få dråber olie ind i luftindtaget, lad maskinen køre i 5-10 sekunder og sug olien op i en klud.

Serviceinstruktioner

Det anbefales at foretage eftersyn og forebyggende vedligeholdelse med jævne mellemrum en gang om året eller efter maks 250.000 tilspændinger, alt efter hvad der opstår først. Hyppigere eftersyn kan blive nødvendige, specielt olieskift i impuls-enheden, hvis den anvendes ved højt drejningsmoment og med lange tilspændingstider. Hvis maskinen ikke fungerer korrekt, skal den omgående sendes til eftersyn.

Med jævne mellemrum skal luftindtagets filter og lyddæmperen rengøres eller udskiftes for at forebygge kapacitetsnedsættende tilstopning.

Ved eftersyn skal alle dele rengøres omhyggeligt, og defekte eller slidte dele (f.eks. O-ringe, lameller) skal udskiftes.

 Alle O-ringe skal smøres før samling; specielt vigtigt er O-ringene i impuls-enheden.

Adskillelse /samling

Det er vigtigt, at maskinens gevindsamlinger er korrekt tilspændt; dvs. i overensstemmelse med specifikationerne på eksplosionstegnningerne.

Rengøring

Rengør alle dele omhyggeligt i mineralsk terpentin eller lignende rengøringsmiddel. For at undgå tilstopning og nedsat effekt kan det være nødvendigt at rengøre filteret (hvis monteret) og udblæsningsfilteret mellem serviceeftersynene.

Kontrol

Efter rengøringen kontrolleres alle dele. Beskadigede og slidte dele skal udskiftes.

Smøring

Smør specielt gear, ventil og kobling med fedt indeholdende molybdæn-disulfid (f.eks. Molykote BR2 Plus). Se eksplosions-tegninger og fig. under Servicevejledning.

Smør O-ringe og gevindsamlinger med fedt før samling.

Fedtoversigt

Mærke	Universal brug Lejer	Motor skaft	Luftsmøring
BP	Energol LS-EP2		Energol E46
Castrol	Spheerol EP L2		
Esso	Beacon EP2		Arox EP46
Q8	Rembrandt EP2		Chopin 46
Mobil	Mobilegrease XHP 222		Almo oil 525
Shell	Alvania EP2		Tonna R32
Texaco	Multifak EP2		Aries 32
Molykote		BR2 Plus	
Lubricating Engineers		Almagard-3752	

Reserve dele

Dele uden bestillingsnummer leveres af tekniske årsager ikke separat; dette gælder også dele, der indgår i service-sæt.

Anvendelse af andre reserve dele end originale Desoutter-reserve dele kan medføre reduceret ydelse og øget vedligeholdelse og kan, dersom dette skønnes rimeligt fra selskabets side, sætte alle garantier ud af kraft.

Tekniske data

Nominal hastighed og momentområde

Nominal hastighed (o./min.)	6000
Momentområde (Nm)	20-36

Lyd og vibrationer

Støj-værdier i overensstemmelse med EN ISO 15744dB(A)

Målt lydtryksniveau	77
Fastsat lydstyrkeniveau	
Spredning i metode og produktion	3

Vibrations-værdier i overensstemmelse med ISO

8662-7	m/s²
Målt vibrationsværdi	<2.5
Spredning i metode og produktion	-

Bekendtgørelse om udsendelse af støj og vibrationer

Disse deklarationsværdier er opnået ved målinger på laboratorie i overensstemmelse med de opstillede standarder og er ikke direkte anvendelige til risikovurderinger. De målte værdier på den individuelle arbejdsplads kan således godt være højere end de deklarerede værdier. De aktuelle lyd – og vibrationsbelastninger som påvirker brugeren er afhængige af den måde brugeren arbejder på, emnet der arbejdes med og arbejdspladsens indretning såvel som exponeringstid og brugerens fysik.

Vi, **Desoutter**, kan ikke drages til ansvar for konsekvenserne af at anvende de deklarerede værdier i stedet for at anvende de værdier som afspejler den aktuelle belastning målt på arbejdsstedet og som skal ligge til grund for risikovurdering af en arbejdssituation som vi ikke har kontrol over.

DESOUTTER GARANTI

- 1) Dette Desoutter produkt er garanteret mod defekt udførelse eller materiale for en periode på maksimalt 12 måneder efter den dato, det blev indkøbt fra Desoutter eller dennes agenter, forudsat dets brug begrænses til enkeltholdsdrift under hele denne periode. Hvis brugen overstiger enkeltholds-driftniveau, vil garantiperioden blive reduceret på pro rata basis.
- 2) Hvis produktet forekommer af være defekt med hensyn til udførelse eller materiale indenfor garantiperioden, skal det returneres til Desoutter, eller dennes agenter, sammen med en kort beskrivelse af den anførte defekt. Desoutter vil efter eget skøn arrangere enten reparation eller udskiftning af sådanne dele, som anses for defekte, enten på grund af defekt udførelse eller materialer.
- 3) Denne garanti vil ophøre med at være gældende for produkter, som er blevet misbrugt, brugt forkert eller modificeret, eller er blevet repareret med reservedele, som ikke er originale Desoutter reservedele eller af andre end Desoutter, eller dennes autoriserede service-agenter.
- 4) Hvis Desoutter skulle pådrage sig nogen som helst udgifter i forbindelse med korrigerende af en defekt, som skyldes misbrug, forkert brug, hændeligt uheld eller uautoriseret modificering, vil Desoutter kræve at sådanne udgifter bliver godtgjort fuldt ud.
- 5) Desoutter accepterer ikke noget krav for arbejds løn eller andre udgifter i forbindelse med defekte produkter.
- 6) Alle direkte, tilfældige eller deraf følgende skader, som stammer fra nogen som helst defekter, er udtrykkeligt udelukket.
- 7) Denne garanti gives i stedet for alle andre garantier, eller betingelser, udtrykkelige eller underforståede, med hensyn til kvaliteten, salgbarheden eller egnetheden for noget som helst specielt formål.
- 8) Ingen personer, hvad enten en Desoutter agent, -underkontrahent eller -ansat, er autoriseret til at tilføje til eller modificere betingelserne i denne begrænsede garanti på nogen som helst måde.

Copyright

© Copyright 2010, Desoutter. Alle rettigheter forbeholdes. All ikke-autorisert bruk eller kopiering av innhold eller deler av dette er forbudt. Dette gjelder spesielt varemerket, modellbetegnelser, komponentnummer og tegninger. Bruk kun originaldeler. Skader eller funksjonsforstyrrelser som følge av at uoriginale deler er blitt brukt, omfattes ikke av garantien eller produktansvaret.

Brukserklæring

Dette produktet er laget for å skru inn og skru ut gjengede festeanordninger i tre, metall og plast. Ingen andre bruksområder er tillatt. Kun til profesjonell bruk. Bruk av deler/tilbehør som ikke er originalt og levert av produsenten, kan resultere i dårligere ytelse og/eller økt vedlikeholdsbehov/støynivå/vibrasjoner. Bruk av deler/tilbehør som ikke er originalt, resulterer i at produsenten fraskriver seg alt ansvar.

Installasjon

Luftkvalitet

- For optimal ytelse og maksimal levetid anbefaler vi bruk av komprimert luft med et duggpunkt på mellom +2° C og +10° C. Installasjon av en lufttørker av kjøletypen anbefales.
- Bruk et separat luftfilter, fjern fastpartikler som er større enn 30 mikroner og mer enn 90 % væskeinnhold. Installerer så nært maskinen som mulig, og før andre luftenheter. Blås ut slangen før du kobler til.
- Den komprimerte luften må inneholde små mengder olje. Vi anbefaler sterkt at du installerer et oljetåke-smøreapparat som stilles inn på 3-4 dråper (50mm³) for normalt luftforbruk for langsyklus kjørende verktøy, eller et enkeltstående smøreapparat for kortsyklus kjørende verktøy.
- Med hensyn til smørefrie verktøy er det ikke en bakdel fra kundens ståsted hvis den komprimerte luften inneholder en liten mengde olje slik som smøreapparatet tilfører. Et unntak er turbinverktøy som må holdes oljefrie. (se Lufttilførselstilbehør i hovedkatalogen vår).

Trykkluftforbindelse

- Maskinen er konstruert for et arbeidstrykk (e) på 6-7 bar, 600-700 kPa, 6-7 kp/cm².
- Blås ut slangen for tilkopping.

Håndtering

Innstilling av dreiemomentet

- ⓘ Justeringssskruen (skruen med spor) og trimventilen er de eneste skruene som i utgangspunktet trenger justering.

Start på en lav momentinnstilling og øk gradvis til du oppnår ønsket dreiemoment.

Bruk av en maskin med høyere dreiemoment enn den anbefalte maksimumsinnstillingen, kan føre til feilaktig funksjon og hurtigere slitasje.

Kontroller alltid innstillingen ved den aktuelle forbindelsen
se Overhaling

Min. tiltrekkingsmoment

Still inn justeringssskruen til minimumsnivået. Ved harde koplinger og innstillingen for det minste tiltrekkingsmomentet vil redusert fri hastighet ved trimventilen øke nøyaktigheten. Minste anbefalt antall pulser per stramming er 3.

Maks. tiltrekkingsmoment

Start på et lavt tiltrekkingsmoment. Øk innstillingen gradvis. Fortsett så langt som avstengingsfunksjonen er atskilt. Anbefalt maksimal strammetid er 3 sekunder.

Testmetode - Statisk eller Dynamisk

For Pulse Tool-maskinene anbefales en statisk måling av dreiemomentet.

Hvis det benyttes dynamisk måling med en elektronisk "inline" momentomformer, verifiser alltid målemetoden ved en statisk kontroll med en momentnøkkel (elektronisk).

ADVARSEL



KOPLE ALDRI ET DELVIS MONTERT VERKTØY TIL TRYKKLUFTTILFØRSELEN. LAMELLENE I DETTE VERKTØYET INNEHOLDER PTFE. DE VANLIGE HELSE- OG SIKKERHETSRETNINGS-LINJENE FOR PTFE MÅ OVERHOLDES VED HÅNDBLING AV LAMELLENE.

- RØYKING FORBUDT.
- MOTORKOMPONENTENE MÅ VASKES MED RENGJØRINGSVESKE. SKAL IKKE BLÅSES RENE VHA TRYKKLUFT.
- STØYDEMPEREN MÅ SKIFTES UT NÅR DEN BLIR SKITTEN. MÅ IKKE RENSES OG GJENBRUKES.
- VASK HENDENE FØR NYTT ARBEID PÅBEGYNNES.

Vedlikehold

- Alle momentverdier (torque) ± 10 % ("+" skal plasseres over "-")
- Når komponenter, smøremidler osv. kastes, må brukeren sørge for at dette skjer i henhold til de relevante sikkerhetsprosedyrene.
- Rengjør grep og deksel med et vanlig, ikke-aggressivt middel for avfetting.

For maksimal ytelse

Ved vanskelige arbeidsforhold, for eksempel svake forbindelser og maks. innstilling, anbefales smøring via trykkluften.

Ved ekstremt tørr trykkluft kan skovlenes levetid og verktøyets ytelse bli redusert. En daglig tilsetning av 0,1-0,2 ml olje.

Etterfyll pulsenheten med olje

For optimal ytelse må pulsenheten fylles med riktig mengde olje. Da det kan oppstå minimale oljelekkasjer, kan det bli nødvendig å etterfylle pulsenheten mellom service-intervallene. Hvor ofte dette må gjøres, avhenger av bruksområde, typen av skrueforbindelse, antall omdreining, tiltrekkingstid, osv. En korrekt etterfylling av pulsenheten gir lange serviceintervaller.

For mye olje i pulsenheten gir lav pulsfrekvens og langsomme tilstramminger.

For lite olje i pulsenheten gir høy pulsfrekvens med fare for et redusert dreiemoment. Spesielt ved de første tilstrammingerne etter et opphold, kan maskinen ruse.

Bruk hydraulikkolje: 22 cST / 40 °C (ISO VG22).

Kjøring av maskinen med for lite olje kan ødelegge pulsenheten.



Sjekk dreiemomentet etter påfylling.

Rustbeskyttelse og innvendig rengjøring

Vann i trykkluften, støv og slitende partikler forårsaker rust og fastkilte skovler, ventiler osv. Et luftfilter bør installeres nær maskinen (se "Luftkvalitet"). Før lengre tids stillstand: tilfør noen dråper olje i luftinntaket og kjør maskinen i 5-10 sekunder mens oljen tas opp i en klut.

Overhaling og smøring

Det anbefales at overhaling og forebyggende vedlikehold gjennomføres med regelmessige intervaller en gang per år eller etter maksimum 250.000 tilstramminger, avhengig av hva som oppstår først. Service kan bli nødvendig oftere, spesielt bytte av olje i pulsenheten ved bruk av høyt dreiemoment og lange tilstramningstider. Hvis maskinen ikke virker som den skal, bør den straks tas ut av drift for service.

Filteret i luftinntaket og lydtemperen bør rengjøres ofte, eller skiftes ut for å hindre tilstopping, noe som reduserer kapasiteten.

Ved alle overhalinger bør alle deler rengjøres nøye, og defekte eller slitte deler (f.eks. O-ringer, skovler) skiftes.

- Alle O-ringer bør smøres før montering, dette er spesielt viktig for O-ringene i pulsenheten.

Demontering /montering

Det er viktig at maskinens gjengede koblinger strammes til ordentlig, dvs. i henhold til spesifikasjonene i sprengskissene.

Rengjøring

Rengjør alle deler nøye med white-spirit eller lignende rengjøringsmiddel. For å unngå tiltetting og redusert effekt, kan det bli nødvendig å gjøre ren silen (hvis slik brukes) og avgassfilteret mellom overhalingene.

Inspeksjon

Etter rengjøringen skal alle deler inspiseres. Skadde og slitte deler bør byttes ut.

Smøring

Smør spesielt gear, ventil og kopling med fett som inneholder molybdendisulfid (f.eks. Molykote BR2 Plus). Se sprengskisser og figurer i Service-instruksjoner.

Smør O-ringer og gjengede koblinger med fett før montering.

Smørefett-guide

Merke	Generell bruk Lagre	Motor skaft	Luft smøring
BP	Energrease LS-EP2		Energol E46
Castrol	Spheerol EP L2		
Esso	Beacon EP2		Arox EP46
Q8	Rembrandt EP2		Chopin 46
Mobil	Mobilegrease XHP 222		Almo oil 525
Shell	Alvania EP2		Tonna R32
Texaco	Multifak EP2		Aries 32
Molykote		BR2 Plus	
Lubricating Engineers		Almagard-3752	

Reservedeler

Deler uten bestillingsnummer og deler som inngår i våre Service-sett, kan av tekniske årsaker ikke leveres separat.

Bruk av annet enn originaldeler fra Desoutter kan føre til nedsatt yteevne og økt behov for vedlikehold, og kan dessuten føre til at garantier mister sin gyldighet.

Tekniske data

Nominell hastighet og momentområde

Nominell hastighet (o/min)	6000
Momentområde (Nm)	20-36

Lyd- og vibrasjonsnivå

Lydverdier i henhold til EN ISO 15744	dB(A)
Målt lydtryknivå	77
Fastsatt lydstyrkenivå	
Spredning i metode og produksjon	3

Vibrasjonsverdier i henhold til ISO 8662-7	m/s ²
Målt vibrationsverdi	<2.5
Spredning i metode og produksjon	-

Lyd og vibrasjons deklarasjon

De oppgitte verdiene er laboratorieverdier i henhold til nevnte standarder og er ikke adekvate for bruk i risikovurderinger. Verdier målt på den enkelte arbeidsplass kan være høyere enn de oppgitte verdiene. De aktuelle eksponeringsverdier og individuell skaderisiko er unike og avhenger av måten brukeren arbeider på, arbeidsstykket og arbeidsplassens utforming, såvel som eksponeringstid og brukers fysiske kondisjon.

Vi, **Desoutter**, kan ikke holdes ansvarlig for konsekvensene ved bruk av oppgitte verdier, istedet for aktuelle eksponeringsverdier, i en individuell risikovurdering av en arbeidssituasjon utenfor vår kontroll.

GARANTI FRA DESOUTTER

- 1) Dette produktet fra Desoutter garanteres det mot produksjons- og materialfeil i maksimalt 12 måneder etter at det er kjøpt fra Desoutter eller deres forhandlere, under forutsetning av at bruken begrenses til drift i enkelt-skift i denne perioden. Hvis produktet brukes utover drift i enkelt-skift, skal garantiperioden reduseres forholdsmessig.
- 2) Hvis produktet i løpet av garantiperioden viser seg å ha produksjons- eller materialfeil, skal det returneres til Desoutter eller deres forhandlere sammen med en kort beskrivelse av den angivelige feilen. Desoutter skal etter eget skjønn avgjøre om de vil reparere eller skifte ut deler som anses å ha produksjons- eller materialfeil.
- 3) Denne garantien dekker ikke produkter som er mishandlet, misbrukt eller endret, eller er reparert ved hjelp av annet enn originale Desoutter-deler eller utført av andre enn Desoutter eller deres autoriserte service-representanter.
- 4) Hvis Desoutter pådrar seg kostnader i forbindelse med utbedring av en mangel som skyldes mishandling, misbruk, tilfeldig eller uautorisert endring, skal slike kostnader dekkes i sin helhet av kunden.
- 5) Desoutter aksepterer ingen krav om erstatning for arbeidsutgifter eller andre kostnader i forbindelse med produkter med mangler.
- 6) Alle direkte skader, indirekte skader eller følgeskader som skyldes eventuelle mangler, dekkes ikke av denne garantien.
- 7) Denne garantien gjelder i stedet for alle andre garantier, eller vilkår, uttrykt eller underforstått, når det gjelder kvalitet, salgbarhet eller egnethet for bestemte formål.
- 8) Ingen, verken en forhandler, medarbeider eller ansatt hos Desoutter, har autorisasjon til å tilføye eller å endre vilkårene på noen måte i denne begrensede garantien.



Copyright

© Copyright 2010, Desoutter. Kaikki oikeudet pidätetään. Sisällön tai sen osien luvaton käyttö tai kopiointi on kielletty. Tämä koskee erityisesti tavaramerkkejä, mallimerkintöjä, osanumeroita ja piirustuksia. Käytä ainoastaan alkuperäisiä osia. Takuu tai tuotevastuu ei kata muiden kuin alkuperäisten osien käytöstä aiheutunutta vahinkoa tai vikaa.

Käyttöilmoitus

Tämä tuote on valmistettu puisten, metallisten ja muovisten kierteellisten kiinnittimien asennukseen ja poistoon. Muunlainen käyttö ei ole sallittua. Tuote on tarkoitettu vain ammattilaiskäyttöön. Muiden kuin valmistajan alkuperäisten varaosien/lisäosien käyttö voi johtaa huonontuneeseen suorituskykyyn ja/tai lisääntyneeseen huoltoon/melutasoon/tärinään ja näiden seurauksena jopa koko valmistajan takuun peruuttamiseen.

Asennus

Ilman laatu

- Parhaan suorituskyvyn ja laitteen käyttöä saamiseksi suosittelemme paineilman käyttöä kastepisteellä, joka on välillä +2°C ja +10°C. Jäähdyttävän ilmankuivaajan asentaminen on suositeltavaa.
- Erillisen ilmansuodattimen käyttö poistaa 30 mikronia suuremmat kiinteät hiukkaset sekä yli 90% vedestä. Se asennetaan mahdollisimman lähelle laitetta ja ennen mitään muuta ilmankäsittely-yksikköä. Sulje letku ennen kytkemistä.
- Paineilman on sisällettävä pieni määrä öljyä. Suosittelemme vahvasti öljysumuvoitelulaitteen asentamista, joka asetetaan normaalisti 3-4 pisaran (50mm³)/m³ ilmankulutukselle pitkäjaksotomille työkaluille tai yksikohtainen voitelulaite lyhytjaksotomille työkaluille.
- Asiakkaan valitsemana erillisillä voitelulaitteilla ei ole haitaksi, jos paineilma sisältää pienen määrän voitelulaitteesta tulevaa öljyä. Poikkeuksena ovat turbiinilaitteet, joissa ei saa olla öljyä. (ole hyvä ja katso Paineilman lisävarusteet päälueetelosta).

Paineilmaliitäntä

- Koneen työpaine (e) on 6 – 7 bar = 600 – 700 kPa = 6 – 7 kp/cm².
- Puhalla letku puhtaaksi ennen liittämistä.

Käsittely

Kiristysmomentin asetus

- ① Säättöruuvi (rakoruuvi) ja säättöventtiili ovat ainoat ruuvit, jotka on säädettävä heti aluksi.

Aloita alhaisen momentin säädöllä ja lisää asetusta vähitellen, kunnes saavutat halutun momenttitason.

Koneen käyttö suosituksen suurimman momentin ylittävällä tasolla saattaa aiheuttaa vääran toiminnan ja kulumisen nopeutumisen.

Tarkista aina asetus juuri tehtävänä olevassa kohdassa katso Huolto ohjeet

Kiristysmomentin vähimmäisasetus

Aseta säättöruuvi alimpaan kohtaan. Kovissa liitoksissa ja vähimmäiskiristysmomentilla voit lisätä tarkkuutta hidastamalla vapaata nopeutta säättöventtiilillä. Suositeltu pulssien vähimmäismäärä kiristystä kohden on 3.

Kiristysmomentin enimmäisasetus

Aloita pienellä kiristysmomentilla. Lisää kiristysmomenttia vähitellen. Jatka, kunnes sulkutoiminto on selvästi käytössä. Suositeltu enimmäiskiristysaika on 3 sekuntia.

Koetusmenetelmä - Staattinen tai Dynaaminen

Pulssityökaluille suositetaan staattista vääntömomentin mittaamista.

Jos käytetään dynaamista vääntömomentin mittausta ja elektronista sisäistä momentinilmaisinta, tarkista mittaustuloksesi aina käyttämällä staattista tarkistusta (elektronisen) momenttiavaimen avulla.

VAROITUS

IRROTA ILMANSYÖTÖSTÄ ENNEN SÄÄTÖ- TAI HUOLTOTOIMENPITEITÄ. TÄMÄN TYÖKALUN ROOTTORIN SIIPIIN SISÄLTYY PTFE:TÄ. NÄITÄ ROOTTORIN SIIPIÄ KÄSITELTÄESSÄ ON NOUDATETTAVA NORMAALEJA TURVASUOSITUKSIA.



- ÄLÄ TUPAKOI.
- MOOTTORIN KOMPONENTIT TÄYTYY PESTÄ PUHDISTUSAINEELELLA, NIITÄ EI SAA PUHALTAA PUHTAAKSI ILMAA käyttämällä.
- ÄÄNENVAIMENNIN TÄYTYY VAIHTAA UUTEEN, KUN SE ON LIKAANTUNUT. ÄLÄ PUHDISTA JA KÄYTÄ UUDESTAAN.
- PESE KÄTESI ENNEN KUIN RYHDYT MIHINKÄÄN MUIHIN TOIMIIN.

Ylläpito

- Kaikki vääntövoima-arvot ±10%.
- Huolehdi asianmukaisten turvatoimenpiteiden noudattamisesta komponentteja, voiteluaineita yms. hävitettäessä.
- Valukuori pitää pyyhkiä puhtaaksi yleiskäyttöisellä, syövyttämättömällä rasvanpoistoaineella.

Parhaan suorituskyvyn vuoksi

Kovissa työskentelyolosuhteissa - pehmeät liitokset ja enimmäisasetus - ilman voitelemine on suositeltavaa.

Jos syöttöilma on erittäin kuivaa, siipien kestoikä ja työkalun teho saattaa pienentyä. Päivittäinen annos öljyä (0,1 - 0,2 ml) koneen syöttöaukkoon, tai ota harkittavaksi öljyvoitelusumuttimen tyyppisen automaattisen voitelulaitteen tai yksipistevoitelulaitteen käyttö, mikä parantaa koneen suorituskykyä.

Täytä pulssisyksikkö öljyllä

Koneen parhaan suorituskyvyn vuoksi pulssisyksikön on oltava oikein täytetty öljyllä. Pulssisyksiköstä tapahtuvan mahdollisen öljyn mikrovuodon takia yksikön uudelleen täyttäminen saattaa olla välttämätöntä säännöllisten peruskorjausten välilläkin. Tämän menettelyn taajuus riippuu sovellustyyppistä, työvaiheiden määrästä, kiristysajasta jne. Pulssisyksikön tarkka uudelleentäyttö johtaa pitkiin huoltoväleihin.

Pulssisyksikön liian suuri öljymäärä merkitsee alhaista pulssitaajuutta ja hitaita kiristyskiä.

Part no	2050524003
Issue no	2
Series no	C
Date	2012-09
Page	36

FI

Pulssiyksikön liian pieni öljymäärä merkitsee korkeaa pulssitajuutta ja pienenevän kiristysmomentin vaaraa. Varsinkin katkon jälkeisten ensimmäisten kiristysten yhteydessä kone saattaa käydä liian kovaa.

Käytä hydraulioöljyä: 22 cST / 40 °C (ISO VG22).

Koneen käyttäminen liian vähällä öljyllä saattaa vaurioittaa pulssiyksikköä.

Uudelleentäytön jälkeen - Tarkista kiristysmomentti.

Ruosteenesto ja sisäpuhdistus


Paineilmassa oleva vesi, pöly ja kulumishiukkaset aiheuttavat ruostumista sekä siipien, venttiilien ym. jumiutumista. Koneen lähelle on asennettava ilmansuodin (katso 'Ilman laatu'). Huuhtelee ennen pitkiä käyttötaukoja tiputtamalla (joitakin tippoja) öljyä ilmanottoaukkoon, käytä sen jälkeen konetta 5-10 sekuntia imeyttämällä öljy samalla riepuun.

Huolto-ohjeet

Peruskorjausta ja ehkäisevää huoltoa suositetaan säännöllisin väliajoin, kerran vuodessa tai korkeintaan 250.000 kiristysten välein, riippuen siitä, kumpi täyttyy ensin. Useamminkin tehtävät peruskorjaukset saattavat olla tarpeen, varsinkin pulssiyksikön öljynvaihto, jos käytetään suurta momenttia ja pitkiä kiristysaikoja. Ellei kone toimi kunnolla, se on toimitettava heti tarkastettavaksi.

Imuilman sihti ja poistoäänenvaimennin on puhdistettava toistuvasti tai vaihdettava tukkeutumisen estämiseksi, koska se alentaisi kapasiteettia.

Peruskorjauksen yhteydessä kaikki osat on puhdistettava tarkkaan ja vialliset tai kuluneet osat (t.s. O-renkaat, siivet) on vaihdettava uusiin.

 Kaikki o-renkaat on rasvattava ennen kokoonpanoa; pulssiyksikössä olevat o-renkaat ovat erityisen tärkeitä.

Purkaminen / kokoaminen

On tärkeää, että koneen kierteitetty liitokset kiristetään oikein; t.s. noudattaen räjähdyskuvissa esitettyjä spesifikaatioita.

Puhdistaminen

Puhdista kaikki osat perusteellisesti valkospriillä tai vastaavalla puhdistusaineella. Tukkeutumisen ja tehon pienenemisen ehkäisemiseksi saattaa olla tarpeen puhdistaa sihti (jos käytössä) ja pakosuodin peruskorjausten väliaikoina.

Tarkastus

Tarkasta puhdistuksen jälkeen kaikki osat. Vaurioituneet ja kuluneet osat on vaihdettava uusiin.

Voitelu

Voitele varsinkin hammaspyörät, venttiili ja kytkin rasvalla, joka sisältää molybdeenidisulfidia (esim. Molykote BR2 Plus). Katso räjähdyskuvia ja Huolto-ohjeiden kuvaa.

Voitele o-renkaat ja kierteitetty liitokset rasvalla ennen kokoamista.

Rasvaopas

Merkki	Yleiskäyttöinen Laakerit	Moottori akseli	Ilmavoitelu
BP	Energrease LS-EP2		Energol E46
Castrol	Speherol EP L2		
Esso	Beacon EP2		Arox EP46
Q8	Rembrandt EP2		Chopin 46
Mobil	Mobilegrease XHP 222		Almo oil 525
Shell	Alvania EP2		Tonna R32
Texaco	Multifak EP2		Aries 32
Molycote		BR2 Plus	
Lubricating Engineers		Almagard-3752	

Varaosat

Ilman tilausnumeroa olevia osia ei jaeta teknisistä syistä erikseen, sama koskee Huoltosarjojen sisältämiä osia.

Muiden kuin alkuperäisten Desoutter-varaosien käyttö saattaa johtaa pienentyneeseen suorituskykyyn ja lisähuoltoon sekä johtaa, yhtiön niin katsoessa, kaikkien takuiden mitätöitymiseen.

Tekniset tiedot

Nimellisenopeus ja kiristysmomenttialue

Nimellisenopeus (Rpm)	6000
Kiristysmomenttialue (Nm)	20-36

Melu- ja värinätaaso

Mitatut meluarvot EN ISO 15744 mukaan	dB(A)
Mitattu äänenpainetaso	77
Todettu äänenpainetaso	
Menetelmän ja tuotannon hajonta	3

Mitatut värinäarvot ISO 8662-7 mukaan	m/s ²
Mitattu värinätaaso	<2.5
Menetelmän ja tuotannon hajonta	-

Lausunto koskien ilmoitettuja melu- ja värinäarvoja

Ilmoitetut arvot perustuvat laboratorio-oloissa suoritettuihin, standardien mukaisiin mittauksiin eivätkä ne sovellu riskitason määrittämisen perustaksi. Todelliset altistumisarvot ja käyttäjän henkilökohtainen teveysriski ovat yksilöllisiä ja riippuvat käyttäjän työtavasta, työkappaleesta ja työpaikan suunnittelusta sekä altistusajasta ja käyttäjän fyysisestä kunnosta.

Desoutter, ei vastaa mahdollisista seurauksista, mikäli ilmoitettuja arvoja käytetään riskin määrittämiseen todellisessa työtilanteessa tapahtuvaa, yksilöllistä altistumista varten olosuhteissa, jotka eivät ole valvonnassamme.

DESOUTTER-YHTIÖN MYÖNTÄMÄ TAKUU

- 1) Tällä Desoutter-tuotteella on takuu, joka kattaa mahdolliset valmistusvaiheessa aiheutuneet tuote- tai materiaaliviat enintään 12 kuukauden ajalle siitä päivästä lähtien, jolloin tuote on hankittu Desoutter-yhtiöltä tai sen myyntiedustajilta edellyttäen, että tuotteen käyttö rajoitetaan yhteen työvuoroon tämän ajanjakson aikana. Jos tuotetta käytetään enemmän kuin yhden työvuoron ajan, takuun kattama jakso lyhentyy tuotteen käyttöä vastaavalla ajalla.
- 2) Jos tuotteessa ilmenee takuujakson aikana valmistusvaiheessa aiheutunutta tai materiaaleista johtuvaa vikaa, se on palautettava Desoutter-yhtiölle tai sen myyntiedustajalle ja mukaan on liitettävä lyhyt, kyseistä vikaa koskeva kuvaus. Desoutter järjestää harkintansa mukaan maksutta korjauksen tai vaihdon sellaisille tuotteille, joissa todetaan valmistusvaiheessa syntynyt tai materiaalien aiheuttama vika.
- 3) Takuu ei kata tuotteita, joita on käytetty asiattomasti tai väärin tai joihin on tehty muutoksia. Se ei myöskään kata tuotteita, joita on korjattu muita kuin alkuperäisiä Desoutter-yhtiön varaosia käyttämällä tai joiden korjauksen on suorittanut joku muu kuin Desoutter-yhtiö tai sen valtuuttama huoltohenkilöstö.
- 4) Jos Desoutter-yhtiölle aiheutuu kuluja sellaisen vian korjauksesta, joka on syntynyt tuotteen asiattomasta tai vääränlaisesta käytöstä, vahingon aiheuttamasta vaurioitumisesta tai tuotteeseen tehtyjen valtuuttamattomien muutosten seurauksena, yhtiö vaatii näiden kulujen korvaamista kokonaisuudessaan.
- 5) Desoutter ei ota vastattavakseen minkäänlaisia viallisista tuotteista aiheutuneita työkuluja tai muita korvausvaatimuksia.
- 6) Takuu ei kata minkäänlaisia vikojen mahdollisesti aiheuttamia suoranaisia, satunnaisia tai käyttöön vaikuttavia kustannuksia.
- 7) Tämä takuu annetaan kaikkien muiden suorien tai epäsuorien takuiden tai ehtojen asemasta koskien tuotteen laatua, myyntikelpoisuutta tai sopivuutta tiettyyn käyttötarkoitukseen.
- 8) Desoutter-yhtiön myyntiedustajilla, palveluhenkilöstöllä tai työntekijöillä ei ole valtuuksia tehdä minkäänlaisia lisäyksiä tai muutoksia tämän takuun rajoittamiin ehtoihin.



Copyright

© Copyright 2010, Desoutter. Alla rättigheter förbehållna. All icke auktoriserad användning eller kopiering av innehållet eller del därav är förbjuden. Detta gäller speciellt för varumärken, modellbeteckningar, komponentnummer och ritningar. Använd endast originaldelar. Skador eller funktionsstörningar, som vållas av att andra än original delar används omfattas inte av garantin eller produktansvaret.

Användningsuppgift

Denna produkt är utformad för att skriva fast och ta bort gängade fästelement från trä, metall och plast. Ingen annan användning är tillåten. Endast för yrkesmässigt bruk. Användning av andra reservdelar/tillbehör än de som tillhandahålls av tillverkaren kan leda till att maskinen fungerar sämre än normalt och/eller att den kräver mer underhåll och/eller att den blir högljudd och vibrerar mer. Tillverkarens garanti upphävs om några andra än originalreservdelar eller originaltillbehör används.

Installation

Luftkvalitet

- För bästa prestanda och maximal livslängd för utrustningen rekommenderar vi att man använder tryckluft med daggpunkt mellan +2 °C och +10 °C. Vi rekommenderar även att man installerar en lufttorkare med kylfunktion.
- Använd ett separat luftfilter. Detta filter tar bort fasta partiklar som är större än 30 mikron, och det tar också bort över 90 % av vatten i vätskeform. Filtret ska installeras så nära maskinen/utrustningen som möjligt, och före övrig luftberedningsutrustning. Blås igenom slangen före anslutning.
- Tryckluften måste innehålla en liten mängd olja. Vi rekommenderar starkt att man installerar en oljedimsmörjare. Denna ställs normalt in på 3-4 droppar olja (50 mm³) per m³ förbrukad tryckluft vid användning av tryckluftverktyg som har långa arbetscykler.
- Man kan även använda en enpunktssmörjare för verktyg som har korta arbetscykler. Vad gäller smörjfria verktyg är det upp till kunden att avgöra vilken kringutrustning som ska användas. Det är dock ingen nackdel om tryckluften innehåller en liten mängd olja som t.ex. matas från en dimsmörjare. Turbinverktyg måste dock hållas fria från olja. (se Trycklufttillbehör i vår huvudkatalog).

Tryckluftsanslutning

- Maskinen är avsedd för ett arbetstryck (e) av 6–7 bar = 600–700 kPa.
- Blås ren slangen innan den ansluts.

Hantering

Inställning av åtdragningsmoment

- ① Justeringssskruven (spårskruven) och trimventilen är de enda skruvar som inledningsvis skall justeras.

Starta vid ett lågt momentvärde och öka gradvis inställningen tills önskat vridmoment erhålls.

Användning av maskinen vid högre vridmoment än det rekommenderade kan resultera i defekter och snabbare slitage.

Kontrollera alltid inställningen på det aktuella skruvförbandet
Se Service instruktioner

Min. momentinställning

Ställ in justeringssskruven på den lägsta nivån. Vid fasta kopplingar med min. momentinställning kan du förbättra precisionen genom att reducera den fria hastigheten med Trim-ventilen. Min. rekommenderade antalet pulser per åtdragning är 3.

Max. momentinställning

Börja med en låg momentinställning. Öka inställningen gradvis. Fortsätt ända tills avstängningsfunktionen är distinkt. Max. rekommenderade åtdragningstid är 3 sekunder.

Testmetod - statisk eller dynamisk

En statisk momentmätning rekommenderas för Pulse Tool maskinerna.

Om en dynamisk mätning av åtdragningsmomentet med en elektronisk momentgivare genomförs skall man alltid verifiera mätresultatet genom en statisk kontroll med en momentnyckel (elektronisk).

VARNING

ANSLUT ALDRIG EN DELVIS HOPSATT MASKIN TILL TRYCKLUFTSNÄTET. ROTORBLADEN PÅ DETTA VERKTYG INNEHÅLLER PTFE. DE SEDVANLIGA HÄLSO- OCH SÄKERHETSREGLERNA BETRÄFFANDE PTFE MÅSTE IAKTTAGAS VID HANTERING AV ROTORBLADEN.



- RÖK INTE.
- MOTORNS BESTÅNDSDELAR MÅSTE RENGÖRAS MED RENGÖRINGSVÄTSKA OCH INTE GENOM ATT BLÅSA DEM RENA MED EN LUFTSLANG.
- LJUDDÄMPAREN MÅSTE BYTAS UT NÄR DEN ÄR SMUTSIG. DEN FÅR INTE RENGÖRAS OCH ANVÄNDAS IGEN.
- TVÄTTA HÄNDERNA INNAN ETT NYTT JOBB PÅBÖRJAS.

Underhåll

- Alla angivna spänningsmotståndsvärden $\pm 10\%$.
- Se till att de tillämpliga säkerhetsprocedurerna följs när du gör dig av med beståndsdelar, smörjningsmedel, etc.
- Höljet torkas rent med vanligt icke-slipande avfettningsmedel.

För maximal effekt

Vid krävande applikationer - mjuka skruvförband och max inställning - rekommenderas dimsmörjning.

Om luften är extremt torr kan lamellernas och verktygets livslängd förkortas. Daglig tillförsel av olja (0,1 - 0,2 ml) i maskinens inlopp eller användning av en automatisk smörjningsanordning, dimsmörjare eller enpunktssmörjare förbättrar maskinens driftgenskaper.

Påfyllning av pulsenheten med olja

För optimal maskinfunktion skall pulsenheten vara korrekt fylld med olja. Pga eventuellt mikroläckage av olja från pulsenheten kan det vara nödvändigt att fylla på enheten mellan de regelbundna översynstillfällena. Hur många gånger detta måste genomföras beror på användningssättet, antal slagcykler, åtdragningstiden, etc.



Korrekt påfyllning av pulsenheten möjliggör långa serviceintervaller.

För mycket olja i pulsenheten ger låg pulsfrekvens och långsamma åtdragningar.

För lite olja i pulsenheter ger höga pulsfrekvenser och man riskerar att åtdragningsmomentet reduceras. I synnerhet vid de första åtdragningarna efter ett uppehåll kan maskinvarvtalet rusa.

Använd följande hydraulolja: 22 cST / 40 °C (ISO VG22).

Om maskinen används med för lite olja kan pulsenheten skadas. Efter påfyllningen skall man kontrollera åtdragningsmomentet.

Rostskydd och invändig rengöring

Vatten i tryckluften, damm och slitpartiklar vållar rostbildning och kärvande lameller, ventiler etc. Ett luftfilter bör monteras nära maskinen (se 'Luftkvalitet'). Före längre driftuppehåll bör man tillföra några droppar olja i maskinens luftinlopp. Kör maskinen sedan i 5 - 10 sekunder och fånga upp oljan med en trasa.

Serviceanvisningar

Översyn och preventivt underhåll rekommenderas vid jämna intervaller en gång per år eller senast efter 250 000 åtdragningar, beroende på vilket som uppträder först. Tätare översyn kan krävas, speciellt byte av olja i pulsenheten, om maskinen används vid höga moment och långa åtdragningstider. Om maskinen inte fungerar korrekt skall den omedelbart tas ur drift för inspektion.

Filtret på luftintaget och utloppetets ljuddämpare skall rengöras regelbundet för att undvika att de sätts igen av föroreningar. Annars reduceras maskinens kapacitet.

Vid översynen skall alla delar rengöras noggrant och defekta eller slitna delar (t ex O-ringar, lameller) skall bytas ut.

ⓘ Alla O-ringar skall fettas in före ihopsättningen. Detta är särskilt viktigt för O-ringarna i pulsenheten.

Isärtagning/hopsättning

Det är viktigt att maskinens gängade anslutningar dras åt korrekt, d v s enligt specificerade värden på sprängskisserna.

Rengöring

Rengör samtliga, utom elektronik, delar i lacknafta eller likvärdigt rengöringsmedel. För att förhindra igensättning och nedsatt effekt kan det vara nödvändigt att rengöra silen (om sådan finns) och utloppsfiltret mellan servicetillfällena.

Kontroll

Efter rengöring, kontrollera samtliga delar. Byt skadade och utslitna delar.

Smörjning

Smörj särskilt kugghjulen, ventilen och kopplingen med fett innehållande molybdendisulfid (t ex Molykote BR2 Plus). Se sprängskisserna och figuren under Serviceanvisningar.

Smörj O-ringar och gängade anslutningar med fett före hopsättning.

Rekommenderade oljefetter

Fabrikat	Allmän användning Lager	Motor axel	Luft smörjning
BP	Energol LS-EP2		Energol E46
Castrol	Speherol EP L2		
Esso	Beacon EP2		Arox EP46
Q8	Rembrandt EP2		Chopin 46
Mobil	Mobilegrease XHP 222		Almo oil 525
Shell	Alvania EP2		Tonna R32
Texaco	Multifak EP2		Aries 32
Molykote		BR2 Plus	
Lubricating Engineers		Almagard- 3752	

Reservdelar

Artiklar utan beställningsnummer levereras inte separat av tekniska skäl. Detsamma gäller för delar som ingår i servicesatser.

Om andra delar än originalreservdelar från Desoutter används kan det leda till försämrad funktion och att mer underhåll krävs. Det kan även leda till att alla garantier upphör att gälla.

Tekniska data

Märkvarvtal och momentområde

Märkvarvtal (varv/min)	6000
Momentområde (Nm)	20-36


Ljud och vibrationer

Ljud enligt EN ISO 15744	dB(A)
Uppmätt ljudtrycksnivå	77
Beräknad ljudeffektnivå	
Spridning i metod och produktion	3

Vibration enligt ISO 8662-7	m/s ²
Uppmätt vibrationsvärde	<2.5
Spridning i metod och produktion	-

Buller- och vibrationsdeklaration

Alla värden gäller vid publikationsdatum för detta dokument. För senaste information, besök desouttertools.com. De här fastställda värdena erhöles genom laboratorieprover i överensstämmelse med uppgivna standarder och är ej lämpliga för riskutvärderingar. Värden som uppmätts på individuella arbetsplatser kan vara högre än de fastställda värdena. De faktiska exponeringsvärdena och risken för skada för en individuell användare är unik och beror på det sätt som användaren arbetar, arbetsstycket och arbetsplatsens konstruktion, såväl som på exponeringstiden och användarens fysiska tillstånd. Vi, Desoutter, kan ej hållas ansvariga för följder vid användning av fastställda värden istället för värden som återkastar den faktiska exponeringen för en individuell riskutvärdering i en situation på en arbetsplats, över vilken vi ej har någon kontroll. Detta verktyg kan orsaka vibrationssyndrom på handen-armen om verktyget inte hanteras på rätt sätt. Det finns EU-guide angående hantering av hand-arm vibrationer på <http://www.humanvibration.com/EU/VIBGUIDE.htm> För att förebygga eventuella framtida åkommor rekommenderar vi att

Part no	2050524003	
Issue no	2	
Series no	C	
Date	2012-09	
Page	40	

hälsokontroller genomförs för att upptäcka tidiga symptom som kan bero på vibrationsrelaterade arbetsuppgifter.

DESOUTTER-GARANTI

- 1) Denna Desoutter-produkt garanteras mot defekt utförande eller material under en period av högst 12 månader efter inköpsdatum från Desoutter eller deras ombud, förutsatt att dess användning är begränsad till enkelskiftarbete under hela denna period. Om användningsfrekvensen överskrider enkelskiftarbete skall garantiperioden reduceras i motsvarande mån.
- 2) Om produkten under garantiperioden verkar vara defekt beträffande utförande eller material, skall den återlämnas till Desoutter eller dess ombud tillsammans med en kortfattad beskrivning av den påstådda defekten. Desoutter skall efter eget gottfinnande ordna med reparation eller utbyte av sådana komponenter som anses felaktiga på grund av defekt utförande eller material.
- 3) Denna garanti upphör att gälla för produkter som misshandlats, missbrukats eller modifierats, eller som har reparerats med något annat än äkta Desoutter-reservdelar eller av någon annan än Desoutter eller dess auktoriserade serviceombud.
- 4) Om Desoutter skulle ådraga sig någon utgift vid åtgärdandet av en defekt som orsakats av misshandel, missbruk, ofrivillig skada eller icke auktoriserad modifiering kräver de att denna utgift till fullo betalas.
- 5) Desoutter accepterar inte att anspråk görs på arbetskostnader eller andra omkostnader för defekta produkter.
- 6) Alla direkta eller tillfälliga skador eller följdskador som uppkommer på grund av någon defekt undantages uttryckligen.
- 7) Denna garanti lämnas i stället för alla andra garantier, eller villkor, uttryckliga eller underförstådda, beträffande kvalitet, säljbarhet eller lämplighet för något bestämt ändamål.
- 8) Ingen, vare sig ombud, tjänsteman eller arbetstagare hos Desoutter har befogenhet att lägga till eller modifiera villkoren i denna begränsade garanti på något sätt.

Copyright

© Πνευματικά δικαιώματα 2010, ΑΓΓΛΙΑ. Με την επιφύλαξη παντός δικαιώματος. Απαγορεύεται οποιαδήποτε μη εξουσιοδοτημένη χρήση ή αντιγραφή του περιεχομένου ή μέρους αυτού. Αυτό ισχύει ιδιαίτερα για τα εμπορικά σήματα, τις ονομασίες μοντέλων, τους κωδικούς εξαρτημάτων και τα σχέδια. Να χρησιμοποιείτε μόνον εγκεκριμένα εξαρτήματα. Οποιαδήποτε βλάβη ή δυσλειτουργία προκληθεί από τη χρήση μη εγκεκριμένων εξαρτημάτων δεν καλύπτεται από την εγγύηση ή τη δήλωση αποδοχής ευθυνών του κατασκευαστή.

Δήλωση Χρήσης

ο παρόν προϊόν έχει σχεδιαστεί για την τοποθέτηση και αφαίρεση σπειροειδών συνδετήρων σε ξύλο, μέταλλο και πλαστικό. Δεν επιτρέπεται κανένας άλλος τύπος χρήσης. Μόνο για επαγγελματική χρήση. Η χρήση ανταλλακτικών / εξαρτημάτων, διαφορετικών από αυτά που παρέχονται αρχικά από τον κατασκευαστή, ενδέχεται να οδηγήσει σε υποβάθμιση της απόδοσης ή/και αυξημένη απαίτηση συντήρησης / στάθμη θορύβου / δονήσεις, με αποτέλεσμα την πλήρη ακύρωση της ευθύνης του κατασκευαστή.

Εγκατάσταση

Ποιότητα αέρα

- Για βέλτιστη απόδοση και μέγιστο χρόνο ζωής του μηχανήματος συνιστάται η χρήση πεπιεσμένου αέρα με σημείο δρόσου μεταξύ +2°C και +10°C. Συνιστάται η εγκατάσταση ενός ξηραντήρα αέρα ψυκτικού τύπου.
- Χρησιμοποιήστε ένα ξεχωριστό φίλτρο αέρα για να απομακρύνετε στερεά σωματίδια μεγαλύτερα από 30 microns και περισσότερο από 90% νερού, εγκατεστημένο όσο το δυνατόν πιο κοντά στο μηχανήμα και πριν από οποιαδήποτε άλλη μονάδα παραγωγής αέρα. Καθαρίστε τον σωλήνα με ριπές αέρα πριν από τη σύνδεση.
- Ο πεπιεσμένος αέρας πρέπει να περιέχει μία μικρή ποσότητα λαδιού. Συνιστούμε ανεπιφύλακτα να εγκαταστήσετε έναν λιπαντή διάχυσης λαδιού, ρυθμισμένο φυσιολογικά σε 3-4 σταγόνες (50mm³)/m³ κατανάλωση αέρα για εργαλεία μεγάλου κύκλου λειτουργίας ή έναν λιπαντή μονού σημείου, για εργαλεία μικρού κύκλου λειτουργίας. Αναφορικά με τα εργαλεία που δεν απαιτούν λίπανση, δεν αποτελεί μειονέκτημα - κατ' επιλογή του πελάτη - εάν ο συμπιεσμένος αέρος περιέχει μια μικρή ποσότητα λαδιού που παρέχεται από λιπαντή. Εξαίρεση αποτελούν τα εργαλεία με στρόβιλο, τα οποία δεν πρέπει να έρχονται σε επαφή με λάδι. (Για περαιτέρω πληροφορίες, βλέπε τα εξαρτήματα της σειράς Air Line στον κύριο κατάλογο).

Σύνδεση πεπιεσμένου αέρα

- Το μηχανήμα έχει σχεδιαστεί για πίεση λειτουργίας (e) μεταξύ 6-7 bar = 600-700 kPa = 87-102 psi.
- Φυσηξτε με αέρα το σωλήνα προτού συνδέσετε.

Χειρισμός

Setting of tightening torque

- ⓘ The adjusting screw (the slotted screw) is the only screw that initially should be adjusted.

Start at a low torque adjustment and gradually increase the setting until you reach the desired torque level.

Use of a machine over recommended maximum torque might result in improper function and faster wear.

Always check the setting and make reference setup on your actual joint.

see Service Instructions.

Ρύθμιση ελάχιστης ροπής

Ρυθμίστε τη βίδα στο ελάχιστο επίπεδο. Σε περίπτωση σκληρών ενώσεων και χαμηλής ροπής, η μειωμένη ελεύθερη ταχύτητα με τη βαλβίδα ρύθμισης θα ανεβάσει την ακρίβεια. Ο ελάχιστος αριθμός παλμών ανά σφίξιμο είναι 3.

Max torque setting

Start at a low torque level. Gradually increase the setting. Continue as far as the shut off function is distinct. Max. recommended tightening time is 3 seconds.

ΜΕΘΟΔΟΣ ΕΛΕΓΧΟΥ - ΣΤΑΤΙΚΗ Ή ΔΥΝΑΜΙΚΗ

Συνιστάται η χρήση μιας στατικής μεθόδου μέτρησης ροπής για τα μηχανήματα της Pulse Tool.

Αν χρησιμοποιήσετε μια δυναμική μέθοδο μέτρησης ροπής έχοντας ένα ηλεκτρονικό εν σειρά αισθητήρα ροπής, βεβαιωθείτε πάντοτε ότι έχετε τη σωστή τιμή με ένα δυναμόκλειδο (ηλεκτρονικό).

ΠΡΟΕΙΔΟΠΟΙΗΣΗ



ΠΟΤΕ ΜΗΝ ΣΥΝΔΕΣΕΤΕ ΜΕ ΤΗΝ ΠΑΡΟΧΗ ΑΕΡΑ ΕΝΑ ΕΡΓΑΛΕΙΟ ΠΟΥ ΔΕΝ ΕΧΕΙ ΣΥΝΑΡΜΟΛΟΓΗΘΕΙ ΠΛΗΡΩΣ. ΟΙ ΨΥΚΤΡΕΣ ΤΟΥ ΡΟΤΟΡΑ ΣΕ ΑΥΤΟ ΤΟ ΕΡΓΑΛΕΙΟ ΠΕΡΙΕΧΟΥΝ ΤΕΦΛΟΝ (PTFE). ΚΑΤΑ ΤΗ ΧΡΗΣΗ ΑΥΤΩΝ ΤΩΝ ΛΕΠΙΔΩΝ ΘΑ ΠΡΕΠΕΙ ΝΑ ΑΚΟΛΟΥΘΗΣΕΤΕ ΤΙΣ ΥΠΟΔΕΙΞΕΙΣ ΠΕΡΙ ΥΓΙΕΙΝΗΣ ΚΑΙ ΑΣΦΑΛΕΙΑΣ ΠΟΥ ΑΦΟΡΟΥΝ ΤΟ ΥΛΙΚΟ ΤΕΦΛΟΝ (PTFE).

- ΜΗΝ ΚΑΠΝΙΖΕΤΕ.
- ΤΑ ΕΞΑΡΤΗΜΑΤΑ ΤΟΥ ΚΙΝΗΤΗΡΑ ΘΑ ΠΡΕΠΕΙ ΝΑ ΠΛΕΝΟΝΤΑΙ ΜΕ ΥΓΡΟ ΚΑΘΑΡΙΣΜΟΥ ΚΑΙ ΟΧΙ ΝΑ ΚΑΘΑΡΙΖΟΝΤΑΙ ΜΕ ΠΕΠΙΕΣΜΕΝΟ ΑΕΡΑ.
- ΣΕ ΠΕΡΙΠΤΩΣΗ ΡΥΠΑΝΣΗΣ, Ο ΣΙΓΑΣΤΗΡΑΣ ΘΑ ΠΡΕΠΕΙ ΑΝΤΙΚΑΘΙΣΤΑΤΑΙ ΚΑΙ ΟΧΙ ΝΑ ΚΑΘΑΡΙΖΕΤΑΙ ΚΑΙ ΝΑ ΕΠΑΝΑΧΡΗΣΙΜΟΠΟΙΕΙΤΑΙ.
- ΣΤΗ ΣΥΝΕΧΕΙΑ, ΠΡΟΤΟΥ ΕΚΤΕΛΕΣΕΤΕ ΟΠΟΙΑΔΗΠΟΤΕ ΕΡΓΑΣΙΑ ΘΑ ΠΡΕΠΕΙ ΝΑ ΠΛΥΝΕΤΕ ΤΑ ΧΕΡΙΑ ΣΑΣ.

ΣΥΝΤΗΡΗΣΗ

- Ενδέχεται να υπάρξει απόκλιση $\pm 10\%$ σε όλες τις τιμές ροπής.
- Όταν απορρίπτετε εξαρτήματα, λιπαντικά κ.λπ. βεβαιωθείτε ότι εφαρμόζονται οι σχετικές διαδικασίες ασφαλείας.
- Τυχόν υπερχειλίση θα πρέπει να καθαρίζεται με ένα μαλακό απολιπαντικό γενικής χρήσης.

ΓΙΑ ΑΝΩΤΑΤΗ ΑΠΟΔΟΣΗ

Σε συνθήκες σκληρής εργασίας - μαλακές ενώσεις και ρύθμιση στο άνω όριο - συνιστάται η λίπανση του πεπιεσμένου αέρα.

Σε περίπτωση υπερβολικά ξηρού αέρα συνιστάται να βάλετε 0.1 ως 0.2 χιλιοστά του λίτρου όταν μπορείτε. Σε περίπτωση



σκληρών συνδέσμων και χαμηλών ρυθμίσεων ροπής, η μείωση της ελεύθερης ταχύτητας με τη βαλβίδα ρύθμισης θα αυξήσουν την ακρίβεια. Αυτό θα αυξήσει την απόδοση του εργαλείου Σε περίπτωση σκληρών συνδέσμων και χαμηλών ρυθμίσεων ροπής, η μείωση της ελεύθερης ταχύτητας με τη βαλβίδα ρύθμισης θα αυξήσουν την ακρίβεια. Ελέγχετε πάντοτε τη ροπή σύσφιξης με την παρούσα ένωση μετά τη ρύθμιση.

ΞΑΝΑΓΕΜΙΣΤΕ ΤΗ ΜΟΝΑΔΑ ΠΑΛΜΩΝ ΜΕ ΛΑΔΙ

Για την όσο το δυνατό καλύτερη απόδοση, θα πρέπει η μονάδα παλμών να είναι σωστά γεμισμένη με λάδι. Μια ακριβής επαναπλήρωση δίνει μεγάλα χρονικά διαστήματα ανάμεσα στα γεμίσματα.

Το πολύ λάδι στη μονάδα παλμών δίνει χαμηλή συχνότητα και αργά σφιξίματα. Το πολύ λίγο λάδι στη μονάδα παλμών δίνει υψηλή συχνότητα παλμών και θα υπάρξει κίνδυνος χαμηλώματος της ροπής σύσφιξης. Ειδικά στα πρώτα σφιξίματα μετά από μια διακοπή λειτουργίας, μπορεί το εργαλείο να στραφεί ανεξέλεγκτα.

Χρησιμοποιείτε το Υδραυλικό Λάδι : 22 cST / 40° C (ISO VG22). Το να θέσετε σε λειτουργία το μηχάνημα για μια περίοδο με πολύ λίγο λάδι, μπορεί να προκαλέσει ζημιά στη μονάδα παλμών.

Αφού το γεμίσετε - Ελέγξτε τη ροπή σύσφιξης, μελετήστε το σχήμα Νο. 11.

ΠΡΟΣΤΑΣΙΑ ΚΑΤΑ ΤΗΣ ΣΚΟΥΡΙΑΣ ΚΑΙ ΕΣΩΤΕΡΙΚΟΣ ΚΑΘΑΡΙΣΜΟΣ

Το νερό που τυχόν περιέχεται στο πεπιεσμένο αέρα, η σκόνη και τα σωματίδια φθοράς προκαλούν σκουριά και κόλλημα των βαλβίδων και των στροφίγων. Θα πρέπει να εγκαταστήσετε ένα φίλτρο αέρα κοντά στο εργαλείο, (μελετήστε το τμήμα "Ποιότητα αέρα"). Πριν από παύσεις διαρκείας, τοποθετήστε μερικές σταγόνες λαδιού στην εισαγωγή του αέρα και αφήσετε το εργαλείο να λειτουργήσει για 5 - 10 δευτερόλεπτα, την ώρα που απορροφάτε το παραπανίσιο λάδι με ένα ύφασμα.

Πίνακες διαχείρισης

Ονομαστική ταχύτητα και εύρος ροπής στρέψης

Ονομαστική ταχύτητα (Rpm)	6000
Εύρος ροπής στρέψης (Nm)	20-36

Στοιχεία εκπομπής θορύβου και κραδασμών

Οι παραπάνω δηλούμενες τιμές λήφθηκαν μετά από εργαστηριακές δοκιμές, οι οποίες διεξήχθησαν σύμφωνα με τα ισχύοντα πρότυπα και δεν θα πρέπει να λαμβάνονται κατά την εκτίμηση της επικινδυνότητας κάποιας εργασίας. Οι τιμές που λαμβάνονται από μετρήσεις στον κάθε χώρο εργασίας ξεχωριστά ενδέχεται να είναι υψηλότερες από τις τιμές που δηλώνονται παραπάνω. Οι πραγματικές τιμές έκθεσης και ο κίνδυνος πρόκλησης σωματικών βλαβών, στον οποίο εκτίθεται ο κάθε χρήστης ξεχωριστά καθορίζονται αποκλειστικά και μόνον από τον τρόπο με τον οποίο εργάζεται ο χρήστης. Ταυτόχρονα, σημαντικό ρόλο παίζει το αντικείμενο επάνω στο οποίο γίνεται η εργασία, η μορφολογία του χώρου εργασίας, καθώς και η διάρκεια έκθεσης και η φυσική κατάσταση του χρήστη.

Η εταιρεία Desoutter, δεν φέρει καμία ευθύνη για τις ενδεχόμενες επιπτώσεις εάν κατά την εκτίμηση της επικινδυνότητας κάποιας εργασίας, η οποία θα εκτελεστεί σε χώρο εργασίας, στον οποίο η εταιρεία δεν έχει κανέναν απολύτως έλεγχο, αντί των πραγματικών τιμών έκθεσης χρησιμοποιηθούν οι ως άνω δηλωθείσες τιμές.



ΕΓΓΥΗΣΗ DESOUTTER

- 1) Το συγκεκριμένο προϊόν Desoutter καλύπτεται από εγγύηση που αφορά ελαττώματα στην εργασία ή τα υλικά και η οποία έχει μέγιστη διάρκεια 12 μηνών από την ημερομηνία αγοράς του προϊόντος από την εταιρεία Desoutter ή τους αντιπροσώπους της με την προϋπόθεση ότι, κατά τη διάρκεια της περιόδου αυτής, η χρήση του προϊόντος δεν υπερβαίνει τη διάρκεια της κανονικής διάρκειας. Εάν η διάρκεια χρήσης του προϊόντος υπερβαίνει τη διάρκεια της κανονικής διάρκειας, η διάρκεια ισχύος της εγγύησης θα μειωθεί αναλόγως.
- 2) Εάν, κατά τη διάρκεια ισχύος της εγγύησης, το προϊόν εμφανίσει ελαττώματα στην εργασία ή τα υλικά, θα πρέπει να επιστραφεί στην εταιρεία Desoutter ή τις αντιπροσωπίες της, συνοδευόμενη από σύντομη περιγραφή του ελαττώματος που εντοπίστηκε. Η εταιρεία Desoutter, κατά την αποκλειστική της ευχέρεια, θα επισκευάσει ή θα αντικαταστήσει, χωρίς χρέωση, τα αντικείμενα που θα κριθούν ελαττωματικά από πλευράς εργασίας ή υλικών.
- 3) Αυτή η εγγύηση παύει να ισχύει σε περίπτωση κατάχρησης ή ακατάλληλης χρήσης του προϊόντος, καθώς και στην περίπτωση τροποποίησης ή επισκευής των προϊόντων με χρήση μη γνήσιων ανταλλακτικών Desoutter ή στην περίπτωση επισκευών που θα πραγματοποιηθούν από τεχνικούς που δεν αποτελούν προσωπικό της Desoutter ή των εξουσιοδοτημένων αντιπροσωπειών της.
- 4) Τα έξοδα με τα οποία θα επιβαρυνθεί η Desoutter για την επισκευή βλαβών που προήλθαν από κατάχρηση, κακή χρήση, ατύχημα ή μη εξουσιοδοτημένες τροποποιήσεις, θα γίνουν απαιτητά στο ακέραιο.
- 5) Η Desoutter δεν αποδέχεται την ευθύνη για χαμένες ώρες εργασίας ή άλλες ζημιές που θα προκληθούν εξαιτίας των ελαττωματικών προϊόντων.
- 6) Εξαιρούνται ρητώς οποιοσδήποτε άμεσες, έμμεσες ή παρεπόμενες ζημιές που θα προέλθουν από ελαττωματικά προϊόντα.
- 7) Αυτή η εγγύηση αντικαθιστά όλες τις υπόλοιπες εγγυήσεις ή τους ρητούς ή έμμεσους όρους, όσον αφορά την ποιότητα, την εμπορευσιμότητα ή την καταλληλότητα για συγκεκριμένο σκοπό.
- 8) Κανένας, ούτε αντιπρόσωπος, ούτε συνεργάτης, ούτε εργαζόμενος της Desoutter, δεν έχει την άδεια να κάνει προσθήκες ή τροποποιήσεις στους όρους της συγκεκριμένης περιορισμένης εγγύησης με οποιονδήποτε τρόπο.



Авторское право

© Copyright 2010, Desoutter. Все права защищены. Запрещается любое несанкционированное использование и копирование данных материалов как полностью, так и частично. Это, в частности, относится к товарным знакам, наименованиям моделей, номерам деталей и чертежам. Пользуйтесь только утвержденными деталями и запчастями. Любые повреждения или неисправности, возникшие из-за применения неутвержденных запчастей, влекут за собой отказ от гарантийных обязательств и от ответственности за качество продукции.

На Зна Чение

Это изделие предназначено для установки резьбовых крепежных деталей в деревянные, металлические и пластиковые поверхности, а также для извлечения этих деталей. Иное использование данного изделия не допускается. Только для профессионального применения. Использование запасных частей или аксессуаров, отличных от поставляемых оригинальным производителем, может привести к падению мощности и (или) необходимости более частого обслуживания, а также к повышению уровня шумов/вибрации и, как следствие, повлечь за собой полное снятие ответственности с производителя.

Установка

Качество воздуха

- Для оптимальной производительности и максимального срока эксплуатации механизма рекомендуется использовать сжатый воздух с температурой конденсации +2...+10 °С. Также рекомендуется установка осушителя воздуха охлаждающего типа.
- Используйте отдельный воздушный фильтр, задерживающий твердые частички размером более 30 микрон и более 90% влаги, и устанавливаемый как можно ближе к механизму перед другими устройствами подготовки воздуха. Продувайте воздухопроводы перед их подключением.
- Содержание масла в сжатом воздухе должно быть незначительным. Настоятельно рекомендуем устанавливать масло-распылитель однократного распыления, настроенный на 3-4 капли (50 куб. мм)/1 куб. м потребляемого воздуха (для устройств с долгосрочным рабочим циклом), или одноточечный смазочный механизм (для устройств с краткосрочным рабочим циклом). При работе с устройствами, не требующими смазки, допускается содержание в воздухе незначительного количества смазки, подаваемой смазочным механизмом.
- Исключение составляют устройства с турбинами, в которых использование смазки не допускается. (см. раздел «Принадлежности систем подачи воздуха» в нашем главном каталоге).

Подключение линии подачи сжатого воздуха

- Аппарат рассчитан на рабочее давление (е) в 6–7 бар = 600–700 кПа = 87–102 psi.
- Перед подключением продуйте шланг.

Работа с инструментом

Настройка момента затяжки

- ① Сначала нужно отрегулировать только установочный винт (со шлицем).

Начав с малого момента затяжки, постепенно наращивайте его до нужного.

Превышение рекомендованного предельного момента затяжки чревато неполадками и преждевременным износом оборудования.

Не забывайте проверять настройку соединения, сверяясь с эталонными значениями.

См. руководство по обслуживанию.

Минимально допустимый момент затяжки

Поставьте установочный винт на минимальный уровень. При жестких соединениях с минимально допустимым моментом затяжки снижение регулировочным клапаном скорости свободного хода повышает точность регулировки. Затяжку рекомендуется производить, как минимум, в 3 приема.

Предельный момент затяжки

Начните с малого момента затяжки. Постепенно наращивайте момент. Продолжайте, пока не сработает функция отключения. Затяжку рекомендуется производить не более 3 секунд.

Метод проверки – статический или динамический

Для гидравлического инструмента Pulse Tool рекомендуем использовать статический метод измерения момента.

Если используете динамический метод измерения момента с помощью электронного промежуточного датчика, то всегда перепроверяйте результат с помощью статического измерения динамометрическим (электронным или механическим) ключом.

ПРЕДУПРЕЖДЕНИЕ




НИ В КОЕМ СЛУЧАЕ НЕ ПОДКЛЮЧАЙТЕ К ВОЗДУХОВОДУ ИНСТРУМЕНТ ДО ПОЛНОГО ЗАВЕРШЕНИЯ ЕГО СБОРКИ. ЛОПАТКИ РОТОРА ДАННОГО ИНСТРУМЕНТА ИЗГОТОВЛЕНА С ПРИМЕНЕНИЕМ ПОЛИТЕТРАФТОРЭТИЛЕНА. ПРИ РАБОТЕ С ЛОПАТКАМИ РОТОРА СОБЛЮДАЙТЕ ОБЫЧНЫЕ РЕКОМЕНДАЦИИ ПО ОХРАНЕ ТРУДА И ТЕХНИКЕ БЕЗОПАСНОСТИ В ОТНОШЕНИИ ИЗДЕЛИЙ ИЗ ПОЛИТЕТРАФТОРЭТИЛЕНА.

- НЕ КУРИТЬ!
- ПРОМЫВАЙТЕ ДЕТАЛИ МОТОРА МОЮЩИМ СРЕДСТВОМ, НЕ ПРИБЕГАЯ К ПРОДУВКЕ.
- ЗАГРЯЗНЕННЫЙ ГЛУШИТЕЛЬ ПОДЛЕЖИТ ЗАМЕНЕ; ПОВТОРНОЕ ИСПОЛЬЗОВАНИЕ ПОСЛЕ ОЧИСТКИ НЕ ДОПУСКАЕТСЯ.
- ЗАКОНЧИВ РАБОТУ, ВЫМОЙТЕ РУКИ, ПРЕЖДЕ ЧЕМ ЗАНЯТЬСЯ ЧЕМ-ТО ДРУГИМ.

Техническое обслуживание

- Допуск момента затяжки $\pm 10\%$.

Part no	2050524003	
Issue no	2	
Series no	C	
Date	2012-09	
Page	46	

- Утилизация компонентов, смазочных материалов и т.п. производится с обязательным соблюдением соответствующих мер предосторожности.
- Лишняя смазка удаляется неедким обезжиривающим средством общего назначения. Для максимальной производительности производства.

Для максимальной производительности

В сложных приложениях – мягкое соединение и максимально возможный момент – рекомендуется использовать смазку инструмента через воздух.

В чрезвычайно сухом воздухе продолжительность рабочего цикла лопаток и производительность инструмента может быть снижена. Для увеличения производительности рекомендуется ежедневно добавлять во входное воздушное отверстие 0,1-0,2 мл масла. Также для увеличения производительности можно применять устройства автоматической подачи смазки производства.

Добавление масла в ударный механизм

Для более полной информации смотрите Сервисные инструкции.

Для оптимальной производительности ударный механизм должен быть правильно заполнен маслом. Из-за возможных микроутечек масла ударному механизму может понадобиться добавление масла между регулярными осмотрами. Частота добавления зависит от вида работы, количества циклов включения-выключения, времени затяжки и т.д. Своевременное добавление масла увеличит межсервисный интервал.

Излишнее количество масла уменьшает частоту ударов и увеличивает время затяжки.

Недостаточное количество масла увеличивает частоту ударов, что может уменьшить момент затяжки. В частности, после первой затяжки после отключения инструмент может по инерции продолжить работать какое-то время.

Используйте гидравлическое масло: 22 cST / 40 C (ISO VG22).

Работа инструмента с недостаточным количеством масла может вывести из строя ударный механизм.

После добавления масла проверьте момент затяжки (см. Сервисные инструкции).

Защита от коррозии и внутренняя очистка


Вода в сжатом воздухе, пыль и отдельные частицы могут вызвать коррозию и загрязнение лопаток, клапанов и т.д., поэтому необходимо устанавливать воздушный фильтр как можно ближе к инструменту (см. раздел Качество воздуха). Перед длительным простоем инструмента добавьте несколько капель масла во входной воздушный клапан и запустите инструмент на 5-10 секунд, собирая масло в кусок ткани.

Сервисные инструкции

Рекомендуется проводить осмотр и планово-предупредительный ремонт инструмента раз в год или после 250.000 затяжек (что наступит раньше). При интенсивном использовании может потребоваться более частый осмотр. Если в работе инструмента появились отклонения от нормы, необходимо немедленно провести его проверку.

Фильтр на входе подключения воздуха и выхлопной глушитель должны периодически очищаться или заменяться во избежание засорения, которое может привести к падению производительности.

При осмотре все детали должны аккуратно очищаться, а неисправные или изношенные детали (уплотнительные кольца, лопатки и т.д.) заменяться.

-  Все уплотнительные кольца (особенно в ударном механизме) перед сборкой должны быть обработаны консистентной смазкой.

Разборка/сборка

Важно, чтобы резьбовые соединения были правильно затянуты в соответствии со спецификацией на схемах.

Очистка

Очищайте все детали (только не электрические) уайт-спиритом или подобным ему реагентом. Во избежание засорения и, таким образом, падения мощности очищайте по необходимости входной и выхлопной фильтры в межсервисные интервалы.

Проверка

После очистки проверьте все детали. Поврежденные и изношенные детали необходимо заменить.

Смазка

Смазывайте шестерни, клапана и муфту специальной консистентной смазкой, содержащей дисульфид молибдена (например, Molykote BR2 Plus). Перед сборкой обработайте смазкой уплотнительные кольца и резьбовые соединения.

Руководство по смазке

Марка	Подшипники общего назначения	Сцепление Редукторы	Воздушная смазка
BP	Energrease LS-EP2		Energol E46
Castrol	Spheerol EP L2		
Esso	Beacon EP2		Arox EP46
Q8	Rembrandt EP2		Chopin 46
Mobil	Mobilegrease XHP 222		Almo Oil 525
Shell	Alvania EP2		Tonna R32
Texaco	Multifak EP2		Aries 32
Molykote		BR2 Plus	
Lubricating Engineers		Almagard-3752	

Запасные части

По техническим причинам детали без номера заказа отдельно не поставляются.

Использование нефирменных запчастей может снизить производительность инструментов Desoutter и увеличить объем работ по их техническому обслуживанию; кроме того, компания может, по своему усмотрению, аннулировать все гарантии.

Технические данные

Номинальная скорость и диапазон крутящего момента

Номинальная скорость (об/мин)	6000
Диапазон крутящего момента (Нм)	20-36

Уровень шума и вибраций

Уровень шума согласно ISO15744 дБ

Уровень звукового давления 77

Определенный уровень акустической мощности

Распространение в зависимости от метода работы 3

Уровень вибраций согласно ISO 8662-7 М/с²

Значение вибраций <2.5

Распространение в зависимости от метода работы-

Заявленные значения уровня шума и излучения колебаний

Эти значения были измерены исследовательской лабораторией в соответствии с действующими нормами, ни в коем случае они не могут быть использованы для оценки рисков. Значения, измеренные на рабочих местах, могут превышать заявленные значения. Реальные значения подвержения воздействию внешних факторов и риска телесных повреждений, которые могут возникнуть вследствие подвержения воздействию колебаний, являются индивидуальными и зависят от манеры работы пользователя, обрабатываемой детали и ее формы, а также от времени подвержения воздействию внешних факторов и физических особенностей пользователя.

Компания Desoutter не несет ответственность за повреждения, нанесенные реальными значениями, превышающими заявленные значения, ввиду того что использование инструментов никак не может контролироваться компанией Desoutter.

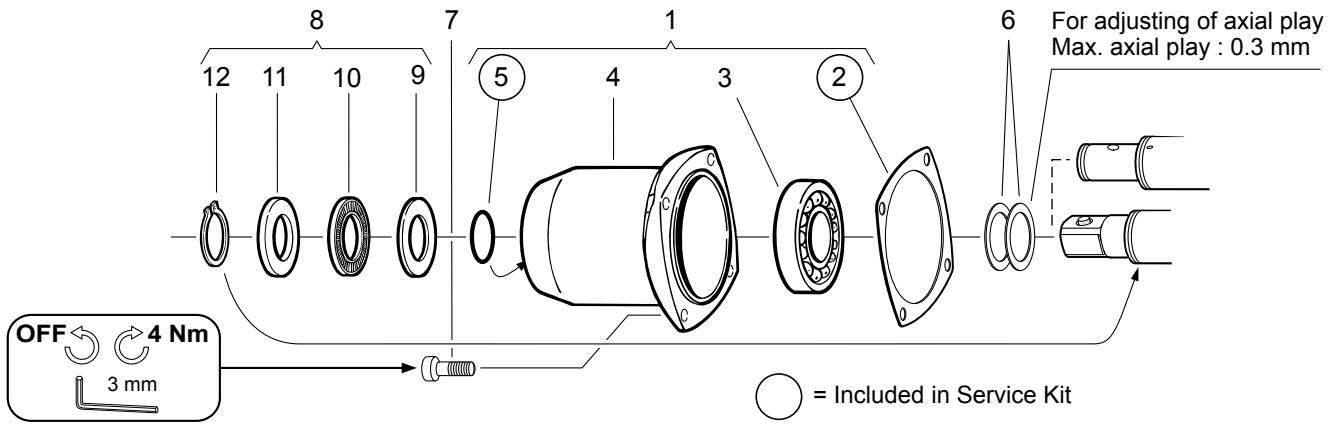
ГАРАНТИЯ ФИРМЫ DESOUTTER

- 1) Настоящее изделие Desoutter гарантировано от дефектов изготовления и материалов в течение периода не более 12 месяцев с даты приобретения у фирмы Desoutter или её агентов, при условии, что его эксплуатация в течение всего этого периода была ограничена работой в одну смену. В случае, если интенсивность эксплуатации превышала односменную, гарантийный период будет сокращен пропорционально.
- 2) Если в течение гарантийного периода в изделии будет обнаружен дефект изготовления или материалов, оно должно быть возвращено на фирму Desoutter или её агентам, вместе с кратким описанием подозреваемого дефекта. Desoutter, по её усмотрению, либо организует ремонт либо бесплатную замену тех частей, которые признаны неисправными по причине дефектов изготовления или материалов.
- 3) Настоящая гарантия перестает действовать в отношении изделий, которые неправильно эксплуатировались или использовались не по назначению или модифицированы или были отремонтированы с использованием запчастей, не являющихся подлинными запчастями производства Desoutter, или отремонтированы кем-либо, кроме самой фирмы Desoutter или санкционированных ею агентов по обслуживанию.
- 4) В случае, если Desoutter понесет расходы по исправлению дефектов, возникших в результате неправильной эксплуатации или использованию не по назначению или в результате случайного повреждения или несанкционированной модификации, фирма потребует от клиента полного возмещения расходов.
- 5) Desoutter не принимает требования о возмещении расходов на рабочую силу или других расходов, понесенных в отношении дефектных изделий.
- 6) Любые прямые, случайные или косвенные убытки, понесенные в результате любых последствий любого дефекта, настоящим явным образом исключаются из гарантийных обязательств.
- 7) Настоящая гарантия дана взамен всех остальных гарантий или условий, явных или подразумеваемых, в отношении качества, годности для продажи или пригодности к какой-либо конкретной цели использования.
- 8) Никто, будь то агент, служащий или наемный работник фирмы Desoutter, не уполномочен никоим образом добавлять или видоизменять условия и установления настоящей ограниченной



Exploded views/tables

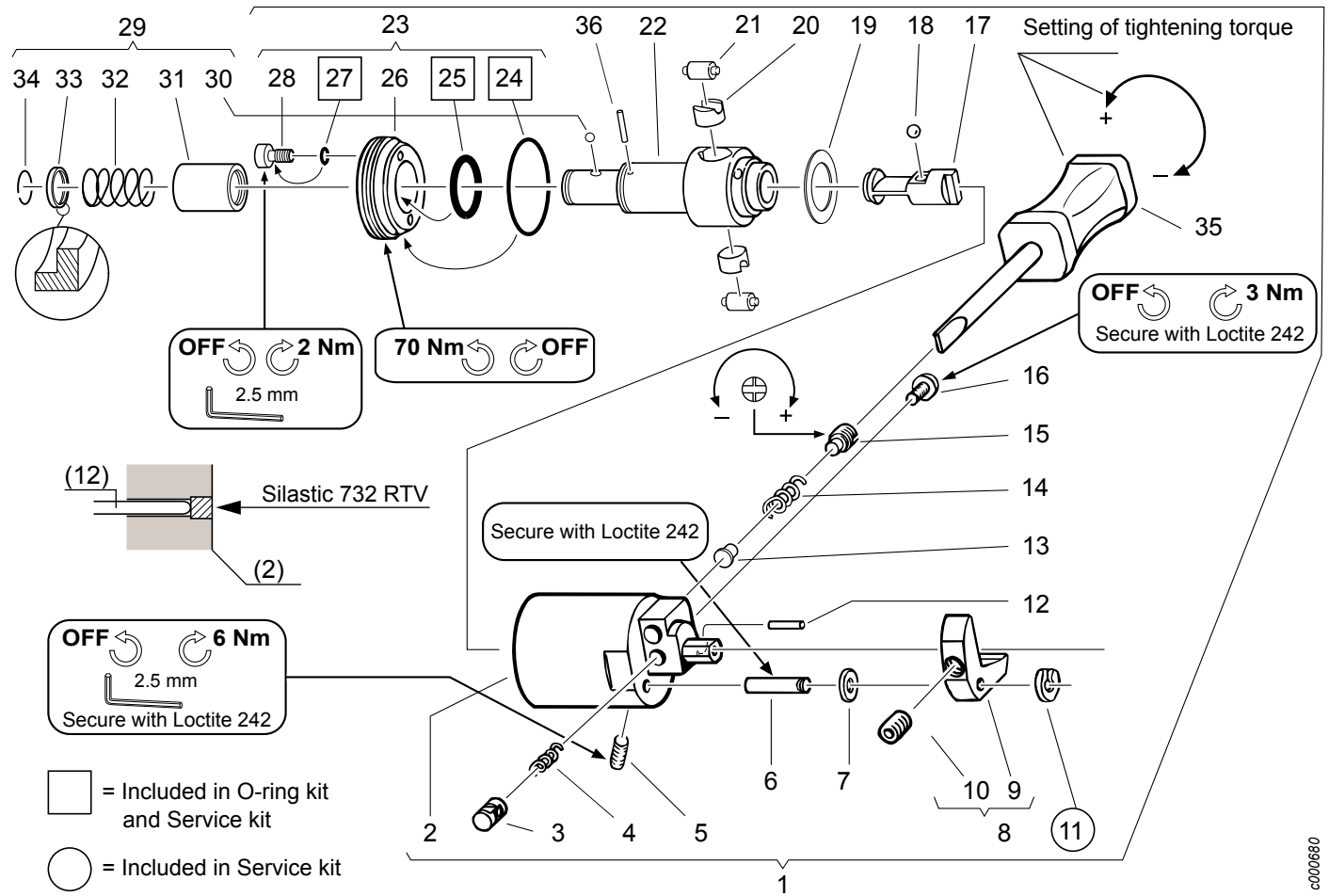
Pulse unit casing



Ref. No.	Ordering No.	Qty	Description	Remark / Included in Service kit
1(2-5)	2050 5042 23	1	Pulse unit house. compl.	
2	-	1	Gasket	Service kit 4596 73
3	4502 43	1	Ball bearing	16003
4	-	1	Pulse unit housing	
5	-	1	O-ring	17.1x1.6 Viton / Service kit 4596 73
6	4594 93	1	Spacer	17x24x0.25
7	2050 5022 63	4	Screw	4x16
8(9-12)	4597 53	1	Thrust needle bearing kit	Optional Accessory
9	-	1	Bearing washer	AS 1730.
10	-	1	Needle bearing	F-202505.
11	-	1	Bearing washer	LS 1730.
12	-	1	Circlip	Sga17.

c000350

Pulse unit

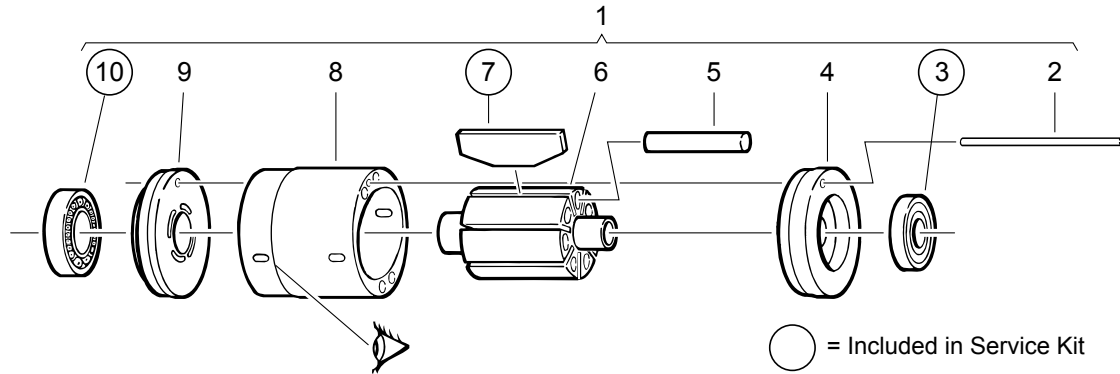


c000680

Ref. No.	Ordering No.	Qty	Description	Remark / Included in Service kit
1(2-34)	2050 5143 93	1	Pulse unit, compl.	
2	2050 5079 83	1	Cylinder	
3	4599 13	1	Stop pin	
4	4602 43	1	Spring	
5	4594 23	1	Stop screw	S6S5x8
6	4601 93	1	Pin	
7	4602 03	1	Washer	
8(9-10)	4601 83	1	Inertia body, compl.	
9	-	1	Inertia body	
10	-	1	Adjusting screw	
11	-	1	Lock ring	Service kit 4596 73
12	4502 73	1	Pin	2x9.8
13	4608 43	1	Spring guide	
14	4602 53	1	Spring	White
15	4602 23	1	Adjustment screw	
16	4608 23	1	Screw	
17	4601 53	1	Cam shaft	
18	4595 53	1	Ball	4.5 mm
19	4603 03	1	Washer	
20	4601 63	2	Piston	
21	4601 73	2	Roller	
22	2050 5143 83	1	Anvil	1/4" Hex
23(24-28)	4601 33	1	Screw ring, compl.	
24	-	1	O-ring	31.4x1.6 Viton / Service kit 4596 73, O-ring 4609 73
25	-	1	O-ring	16.3x2.4 4609 73 / Service kit 4596 73, O-ring
26	-	1	Screw ring	
27	-	2	O-ring	2.6x1 Viton 4609 73 / Service kit 4596 73, O-ring
28	4594 63	2	Screw	MC6S3x5
29(30-34)	4602 73	1	Quick change chuck	

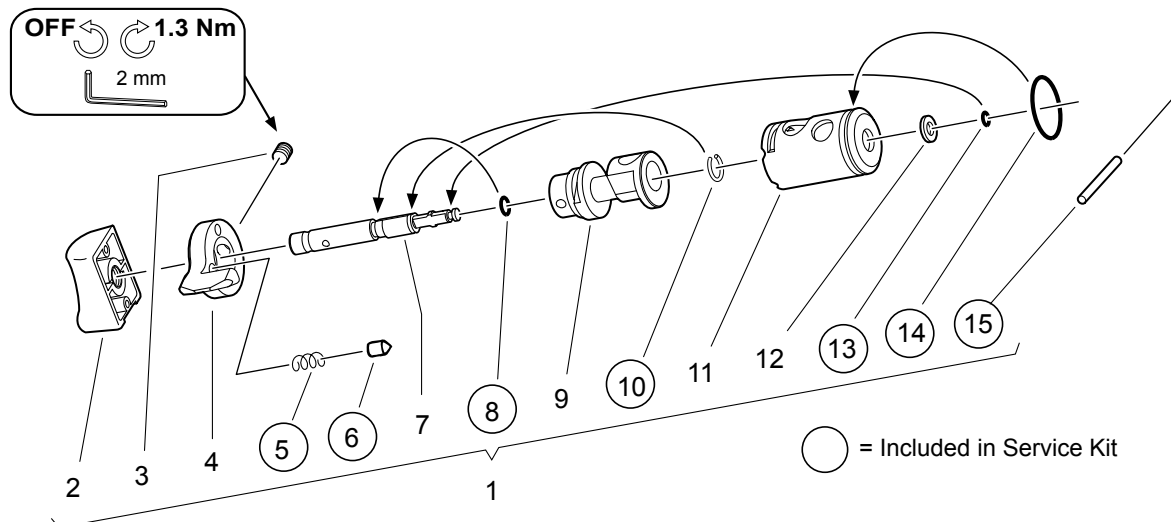
Ref. No.	Ordering No.	Qty	Description	Remark / Included in Service kit
30	-	1	Ball	1/8"
31	-	1	Sleeve	
32	-	1	Spring	
33	-	1	Ring	
34	-	1	Circlip	RW12
35	2050 5013 73	1	Adjustment key	Accessory included
36	2050 5144 03	1	Pin	

Motor



Ref. No.	Ordering No.	Qty	Description	Remark / Included in Service kit
1(2-10)	4602 93	1	Motor, compl.	
2	4602 33	1	Pin	
3	-	1	Ball bearing	6000-2Z / Service kit 4596 73
4	4601 03	1	End plate	
5	2050 5015 23	1	Plug kit	7
6	2050 5015 93	1	Rotor	
7	-	7	Vane	Service kit 4596 73
8	2050 5079 93	1	Cylinder	
9	4601 13	1	End plate	
10	-	1	Ball bearing	6001-2Z / Service kit 4596 73

Valve



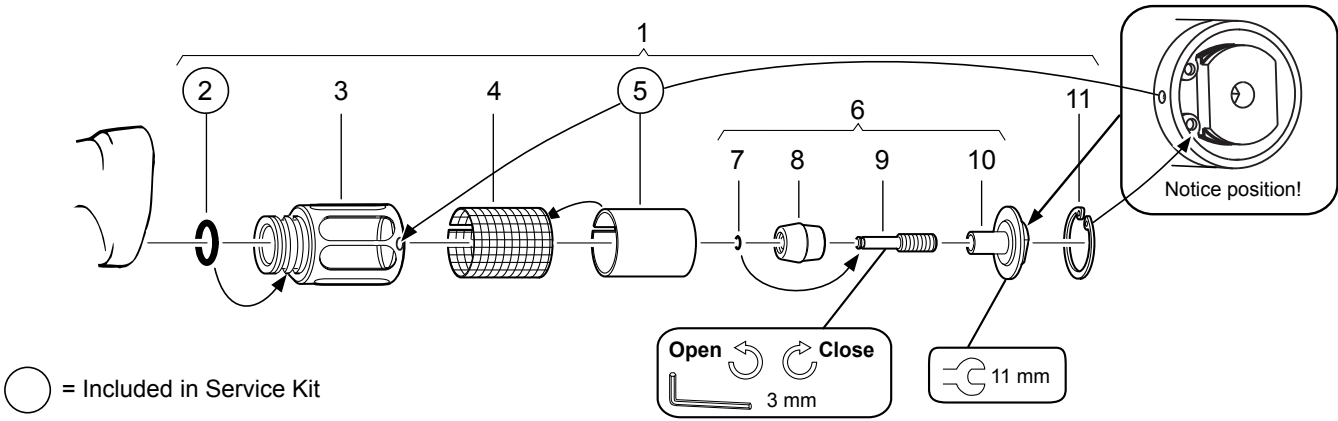
1000340

1000301

Part no	2050524003
Issue no	2
Series no	C
Date	2012-09
Page	52

Ref. No.	Ordering No.	Qty	Description	Remark / Included in Service kit
1(2-15)	4598 53	1	Valve, compl.	
2	4538 63	1	Push button	
3	4594 43	1	Stop screw	SK6SS 4x5
4	4538 43	1	Reversing knob	
5	-	1	Spring	Service kit 4596 73
6	-	1	Retainer pin	Service kit 4596 73
7	2050 5014 63	1	Valve pin	
8	-	1	O-ring	4x1 / Service kit 4596 73
9	4538 33	1	Reversing valve	
10	-	1	Lock ring	Service kit 4596 73
11	2050 5014 53	1	Valve sleeve	
12	2050 5016 43	1	Washer	
13	-	1	O-ring	2x1.5 / Service kit 4596 73
14	-	1	O-ring	16.1x1.6 / Service kit 4596 73
15	-	1	Pin	NRA 2x21.8 / Service kit 4596 73

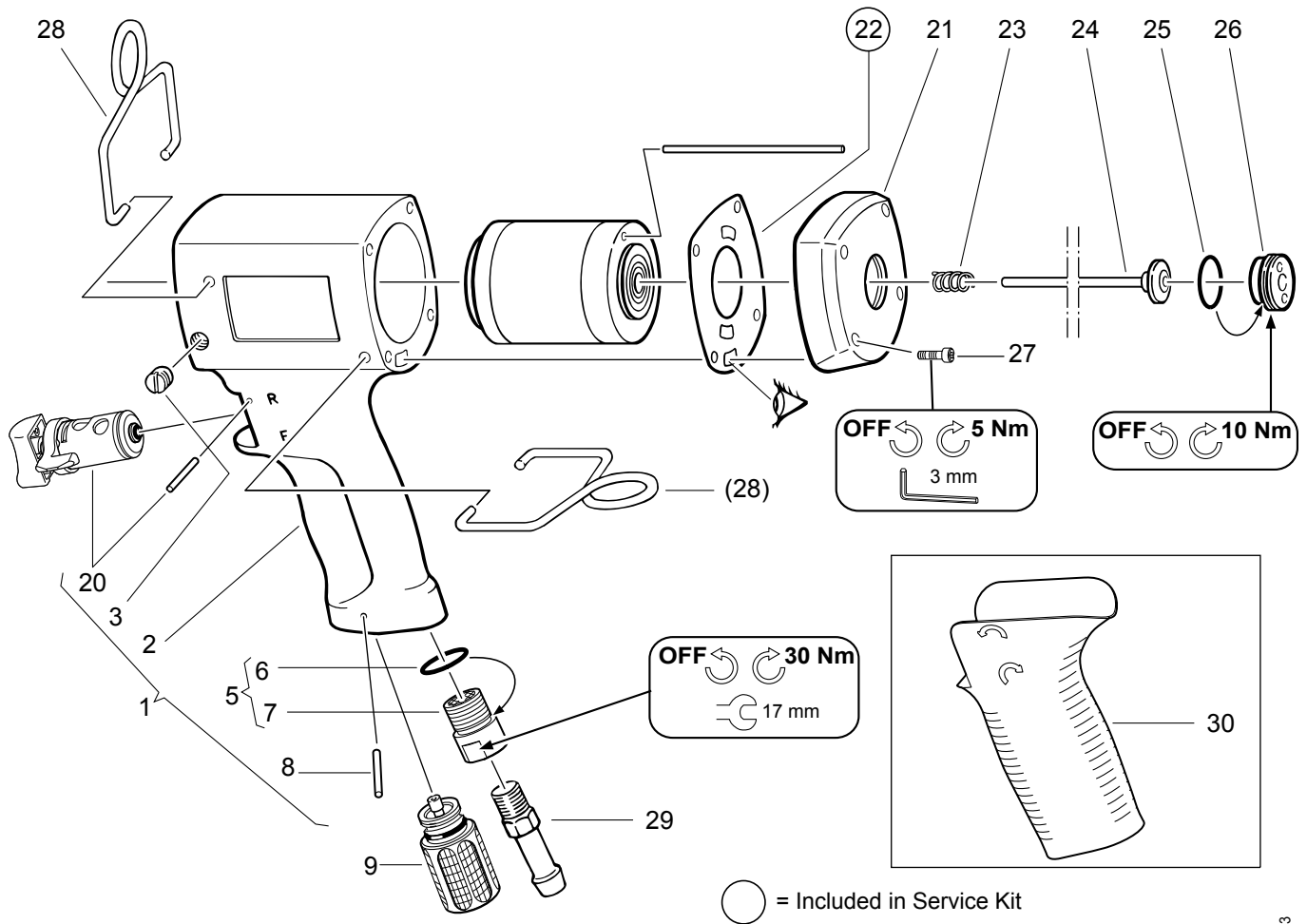
Silencer with Trim valve



Ref. No.	Ordering No.	Qty	Description	Remark / Included in Service kit
1(2-11)	2050 5018 63	1	Silencer, compl.	with Trim valve
2	-	1	O-ring	13.1x1.6 / Service kit 4596 73
3	-	1	Casing	
4	2050 5018 73	1	Wire netting	
5	-	1	Filter	Service kit 4596 73
6(7-10)	2050 5018 93	1	Trim valve Kit	
7	-	1	O-ring	3x1
8	-	1	Valve	
9	-	1	Screw	
10	-	1	Screw support	Notice position or Screw support will rotate at valve adjustment.
11	2050 5018 83	1	Circlip	SgH 23

c000370

Motor casing

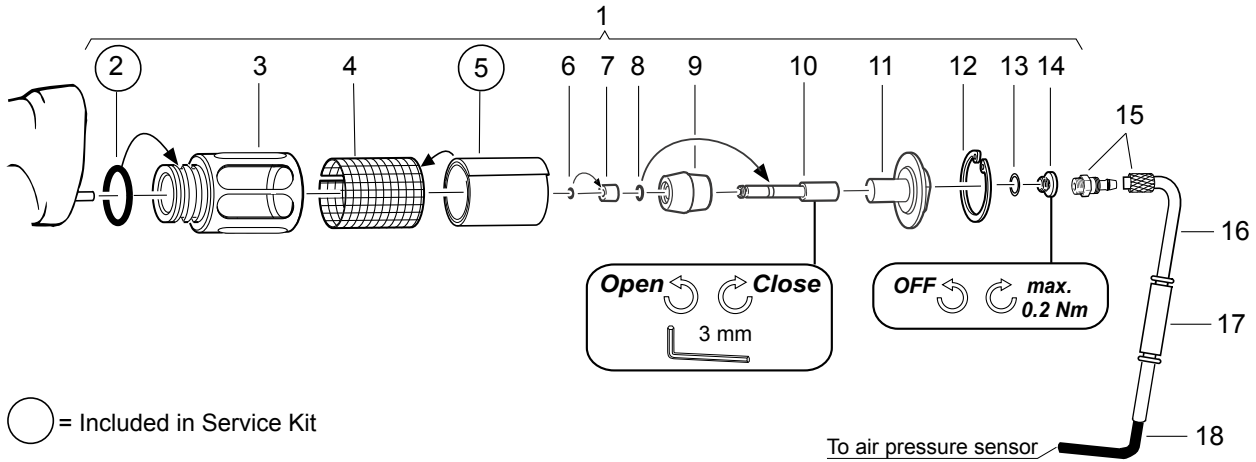


c000383

Ref. No.	Ordering No.	Qty	Description	Remark / Included in Service kit
1(2-20)	2050 5043 83	1	Motor casing, compl.	
2	-	1	Motor casing	
3	4600 83	1	Plug	
5(6-7)	4538 73	1	Adapter, compl.	G1/4", with NPT-thread (for the US and Canada) 4538 83
6	4506 83	1	O-ring	15,1x1,6
7	2050 5139 23	1	Adapter	
8	2050 5013 33	1	Spiral pin	
9		1	Silencer compl.	For further information se Silencer with trim valve
20		1	Valve, compl.	For further information se Valve
21	2050 5015 53	1	Cover	
22	-	1	Gasket	Service kit 4596 73
23	4600 63	1	Spring	
24	4602 63	1	Valve	
25	4507 03	1	O-ring	17.1x1.6
26	4600 23	1	Plug	
27	2050 5022 93	4	Screw	M4x22
28	4598 43	1	Suspension yoke	Accessory included
29	4539 73	1	Hose nipple	10 mm. Accessory included
30	2050 5042 33	1	Rubber cover	Accessory included

Optional accessories

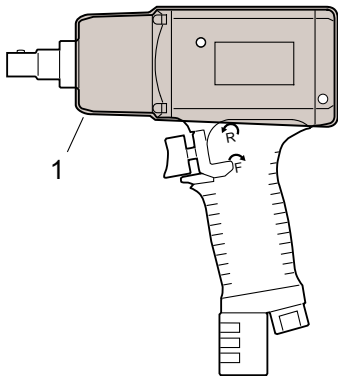
RE-kit



c000690

Ref. No.	Ordering No.	Qty	Description	Remark / Included in Service kit
1(2-14)	2050 1142 72	1	RE-Kit	
2	-	1	O-ring	15.1x1.6 / Service kit 4596 73
3	-	1	Silencer	
4	2050 5018 73	1	Wire netting	
5	-	1	Filter	Service kit 4596 73
6	2050 5088 03	1	O-ring	1.8x1.2
7	2050 5087 93	1	Sleeve	
8	2050 5088 33	1	O-ring	3x1
9	2050 5088 13	1	Valve	
10	2050 5088 23	1	Screw	
11	2050 5088 43	1	Screw support	
12	2050 5018 83	1	Circlip	SgH 23
13	2050 5088 63	1	Ring	
14	2050 5088 53	1	Plug	
15	2050 5088 73	1	Hose nipple	
16	2050 5088 93	1	Hose	
17	2050 5088 83	1	Connection	4mm
18	2050 1142 92	1	Signal tube	

Protective cover



1000861

Ref. No.	Ordering No.	Qty	Description	Remark / Included in Service kit
1	2050 5132 83	1	Protective cover	

Service Kits

Service Kit (2050 5042 43)

Ordering No. 2050 5042 43

Ordering No.	Qty	Description	Remark / Included in Service kit
-	1	Lock ring	D6
-	1	Ball bearing	6001-2Z
-	1	Ball bearing	6000-2Z
-	1	Pin	2x21.8
-	1	O-ring	2x1.5
-	1	O-ring	31.4x1.6
-	2	O-ring	2.6x1.0
-	1	O-ring	16.3x2.4
-	1	O-ring	16.1x1.6
-	1	O-ring	17.1x1.6
-	1	O-ring	4x1
-	1	O-ring	13.1x1.6
-	1	Spring	
-	1	Retainer pin	
-	7	Vane	
-	1	Gasket	
-	1	Gasket	
-	1	Filter	
-	1	Lock ring	

Kit for a variety of products. Some parts might remain unused.

Oil filling Kit (4578 83)

Ordering No. 4578 83

Ordering No.	Qty	Description	Remark / Included in Service kit
-	1	Oil	150 ml
-	1	Syringe	1 ml

O-ring Kit

Ordering No. 4609 73

Ordering No.	Qty	Description	Remark / Included in Service kit
-	1	O-ring	31.4x1.6
-	2	O-ring	2.6x1
-	1	O-ring	16.3x2.4

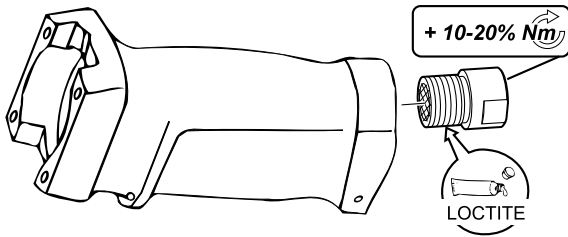
Part no	2050524003
Issue no	2
Series no	C
Date	2012-09
Page	56

General

Tightening of threaded connections

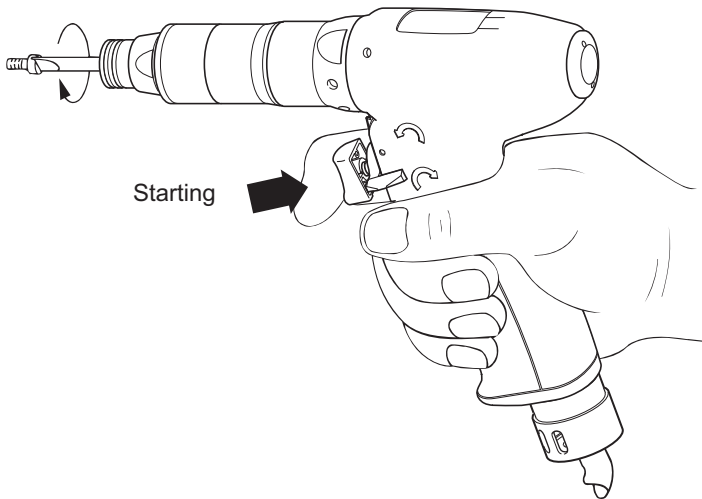
The tightening torques indicated in the spareparts list are established to achieve the correct clamping force and preventing the parts from coming loose. At service these parts must be able to open up without being destroyed. At special circumstances (depending on application and usage) the parts may however come loose after some time of operation. In such cases the torque could be increased 10-20% and if necessary some type of low or medium threadlocking fluid could also be applied.

Example

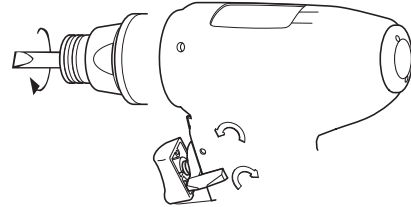


s002150

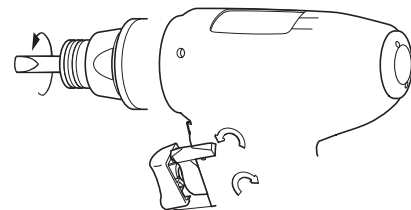
Operating Instructions



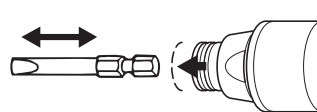
Forward



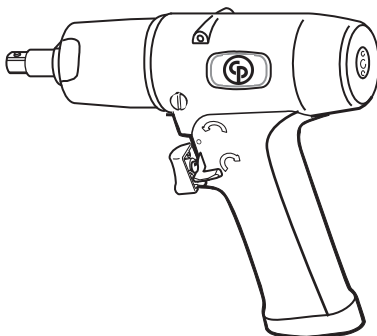
Reversing



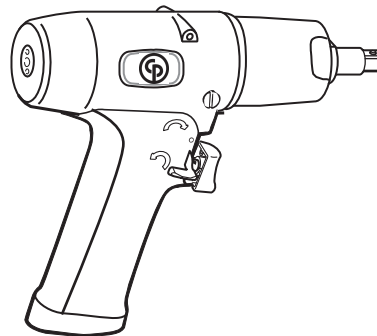
Change of bit



Position of reversing knob when used by right-handed



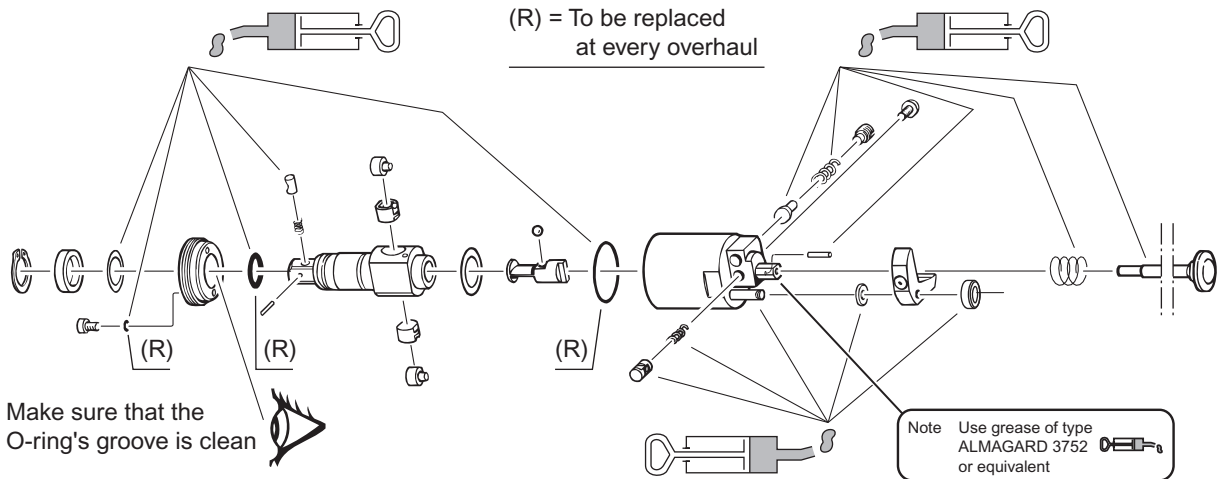
Position of reversing knob when used by left-handed



cs000050



Inspection and lubrication of pulse unit



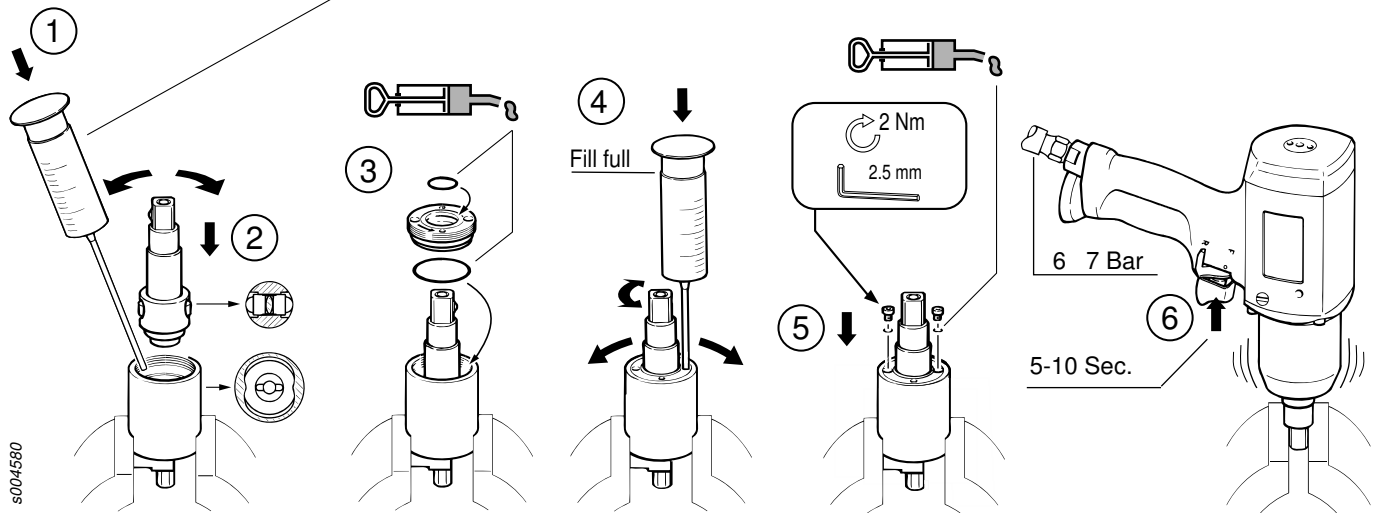
s000770

To fill the pulse unit with oil

Due to a possible microleakage of oil from the pulse unit, it could be necessary to refill the unit between the regular overhaul intervals. The frequency of this procedure depends on the type of application, number of cycles, tightening time etc. An indication of not enough oil is a decreased tightening torque and an increased pulse frequency. (See "Test after service")

After disassembly of pulse unit, fill with oil according to operation No. 1-5 below. Run the machine in a vice for 10 seconds according to operation No. 6 below. Then continue according to operation No. 7 -12. For best performance use Hydraulic Oil 22 cSt/40° C (ISO VG22).

Oil : 22 cSt / 40 C (ISO VG22)



s004580

Part no	2050524003
Issue no	2
Series no	C
Date	2012-09
Page	58

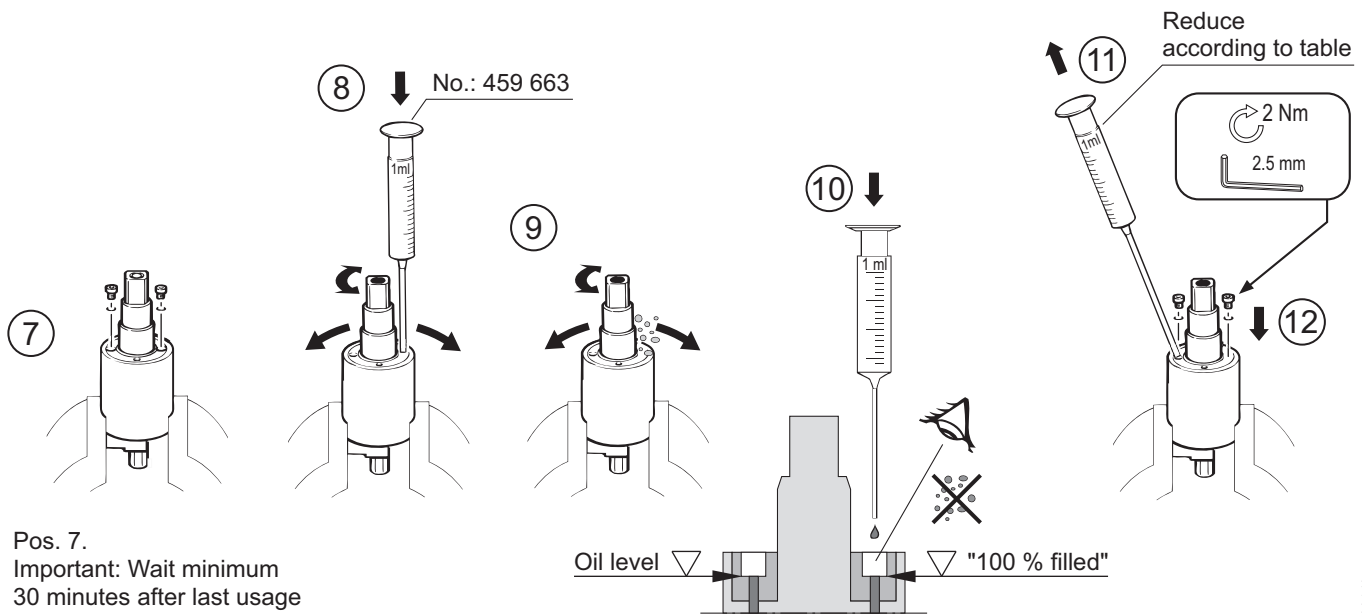
To refill the pulse unit

Keep the pulse unit at normal room temperature.

- ⓘ Before the refill: Let the bubbles in the oil fade away, at least 30 min. after last run. Check that there are no bubbles in the oil and that the pulse unit is completely full (100%) before reducing the oil volume according to operation No. 11.

Correct oil quantity: Fill to 100%, then reduce according to table. After the refill - check the tightening torque, and pulse frequency according to Test methods.

Oil volume to be reduced from 100%	Approx. oil volume in pulse-unit
0.40 ± 0.05 ml	7 ml



Pos. 7.
Important: Wait minimum 30 minutes after last usage (temp ca. 20° C).

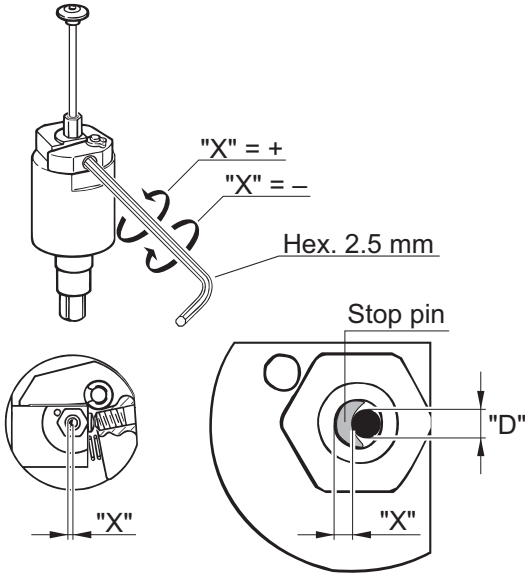
Position of stop pin

The “X” measurement is correctly set at our factory before delivery. Normally the “X” measurement has to be adjusted only after that the parts concerned have been dismantled. If the accuracy is not as good as expected, check the position of the stop pin. The position of the stop pin is adjusted by turning the screw (see fig. below).

The measurement “X” is hard to measure. It is possible to get the position by starting from “X” = zero. Hold the pulse unit vertically and check that the stop pin is covering a part of the centre hole (i.e. “X” is more than zero). Arrange the shut off valve in the centre hole (see fig. below). Adjust the screw until the valve drops down in the hole of the stop pin. In this position “X” is zero.

Place a gauge (i.e. a drill bit) with a diameter “D” according to table below in the hole. Then unscrew the screw until the gauge is just tight in the hole. Note: the gauge must not be squeezed by the stop pin. Another way to get an appropriate “X” measurement is to unscrew the screw from the position “X” = zero. Unscrew the No. of turns given in the table below. The measurements given in the table will give a basic adjustment. Check the diameter “D” with a drill bit or similar. An increased “X” means a higher tightening torque and a decreased “X” means a lower tightening torque. It is possible to fine-adjust the tightening torque by turning the screw. Change with an 1/8 of a turn at a time.

cs000140



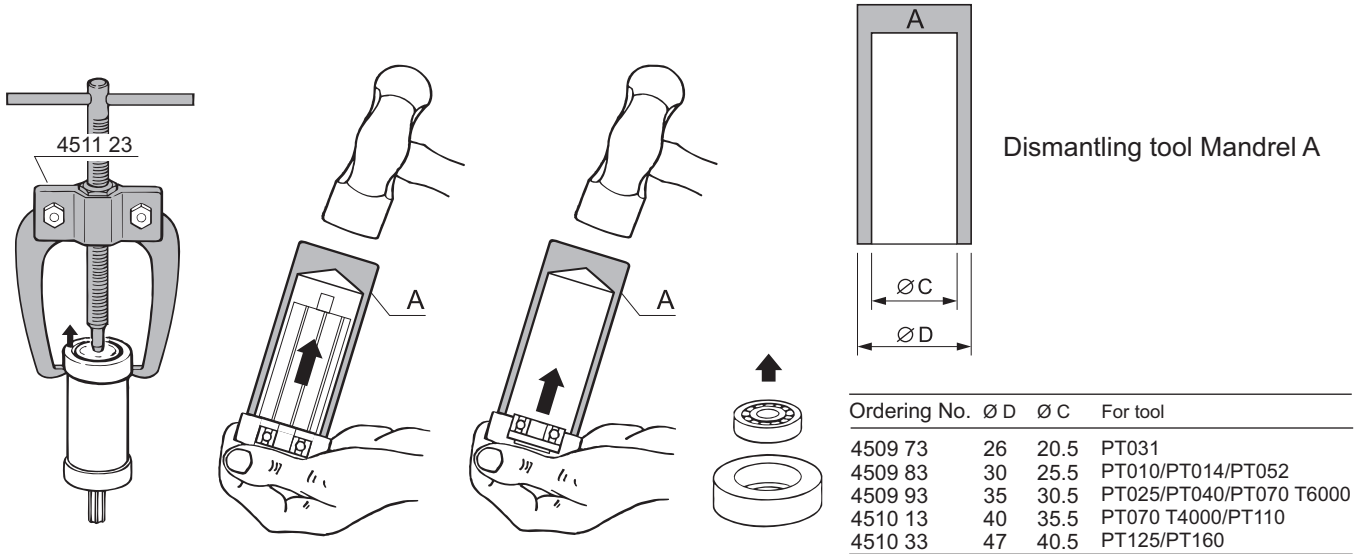
s000561

"D"	"X"	No. of turns to un-screw to get "X"
1.65 mm	1.4 mm	1.4

Dismantling/inspection/assembly

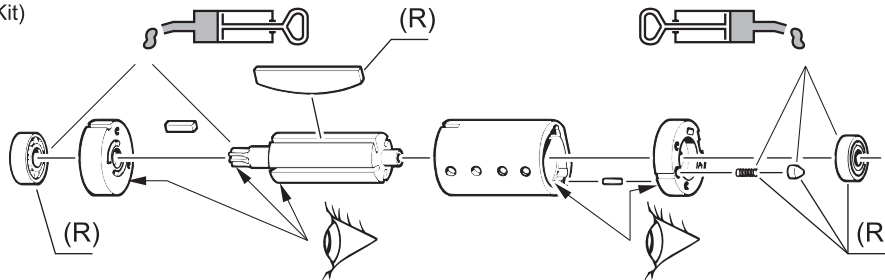
Instructions for vane motor

Dismantling

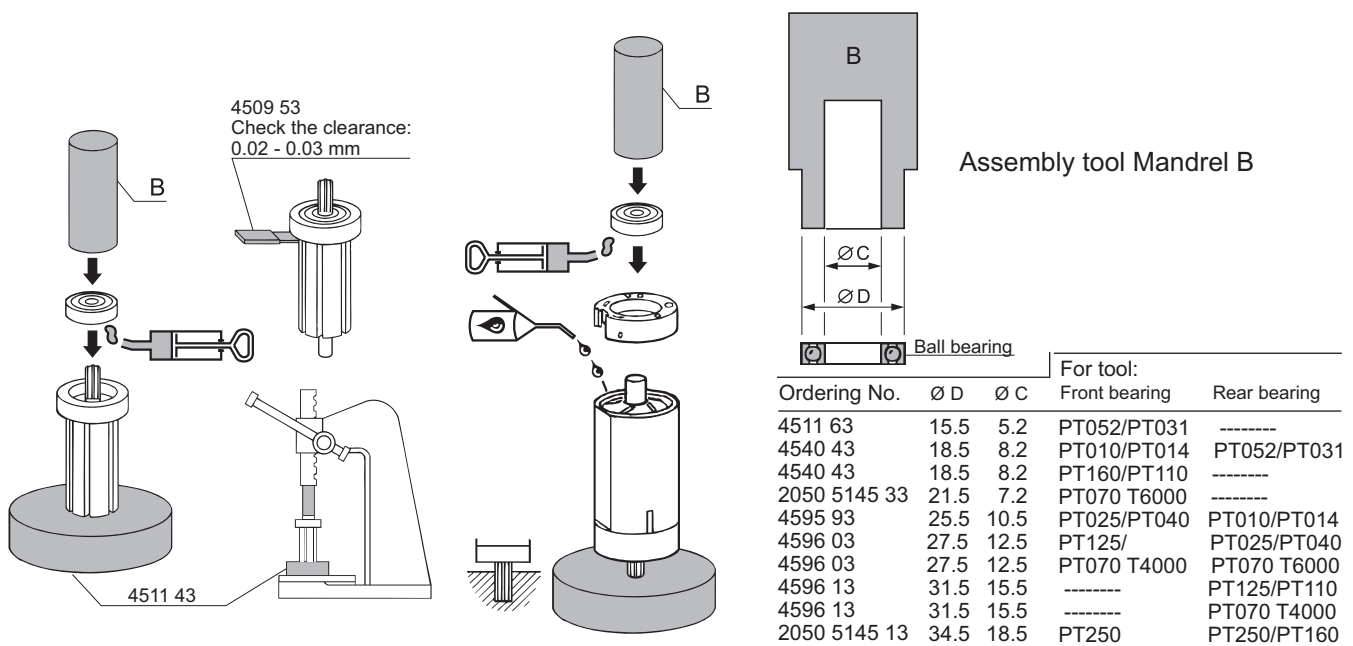


Inspection and lubrication

(R) = To be replaced at every overhaul
(included in Service Kit)



Assembly

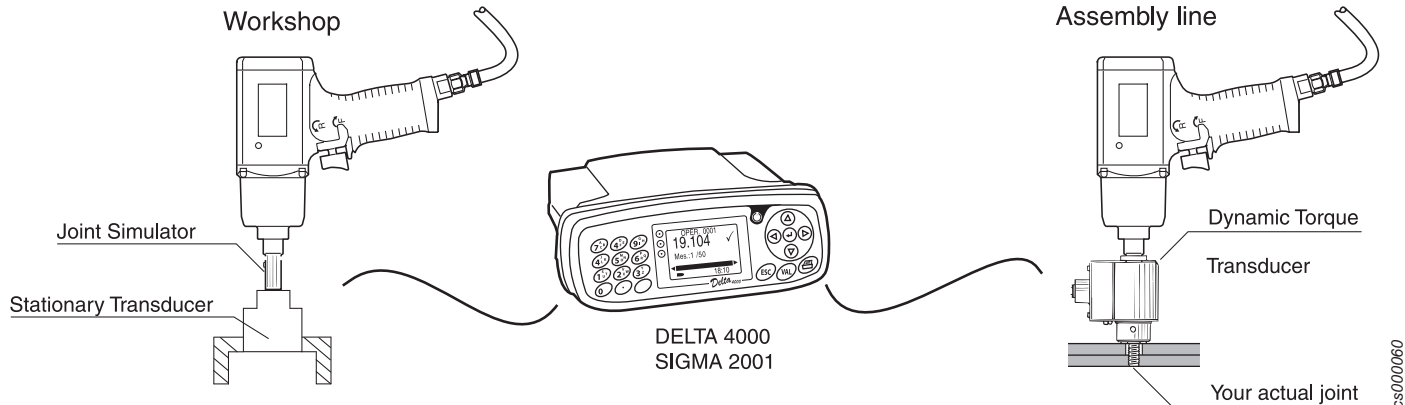


cs000070



Testing/measuring

Static measurement / Dynamic measurement



Joint Simulator for Static Transducer

Part Number	Model	Transducer	Thread
615 910 927 0	ACS5.01	ST4001	M5
615 910 928 0	ACS6.05	ST4005	M6
615 910 929 0	ACS6.10	ST4010	M6
615 910 930 0	ACS8.05	ST4005	M8
615 910 931 0	ACS8.10	ST4010	M8
615 910 932 0	ACS10.10	ST4010	M10
615 910 933 0	ACS10.50	ST4050	M10
615 910 934 0	ACS10.50	ST4050	M12
615 910 935 0	ACS10.50	ST4050	M16

Stationary Transducer

Part Number	Model	Torque Range Nm	Torque Range ft.lb
615 165 141 0	ST4001	1-15	0,7-11,1
615 165 142 0	ST4005	5-70	3,7-51,6
615 165 143 0	ST4010	10-150	7,4-110,5
615 165 144 0	ST4050	50-700	36,8-516

In Static as well as Dynamic measurement, it is advised to double check by the use of a Dial Indicating Torque Wrench* (direct reading) or a Torsion Static Torque Wrench** (connected to the Delta 4000 or Sigma 2001).

For further information regarding our complete measurement range, see our general catalogue.

Torque Transducer

Part Number	Model	Torque Range Nm	Torque Range ft.lb
615 165 211 0	DRT 4 H 20	1,5-20	1,11-14,7
615 165 212 0	DRT 4 Sq 20	1,5-20	1,11-14,7
615 165 213 0	DRT 4 Sq 25	1,8-25	1,33-18,4
615 165 214 0	DRT 4 Sq 75	5,0-75	3,69-55,3
615 165 215 0	DRT 4 Sq 180	12,0-180	8,85-132
615 165 216 0	DRT 4 Sq 500	35,0-500	25,8-368

cs000006

Part no	2050524003	
Issue no	2	
Series no	C	
Date	2012-09	
Page	62	

Dial Indicating Torque Wrenches*

Part Number	Model	Torque Range metric	Torque Range imperial
81972	TW-13	0,5-13,5 Nm	4-120 lbf in
81982	TW-27	1-27 Nm	1-20 lbf ft
81992	TW-80	6-80 Nm	5-60 lbf ft
82002	TW-160	10-160 Nm	7,4-120 lbf ft

Torsion Static Torque Wrenches**

Part Number	Model	Torque Range metric	Torque Range imperial
615 165 146 0	CD4001	1-15 Nm	0,7-11 lbf in
615 165 147 0	CD4005	5-70 Nm	3,7-51,6 lbf ft
615 165 148 0	CD4010	10-150 Nm	7,4-110,5 lbf ft
615 165 149 0	CD4050	50-700 Nm	36,8-516 lbf ft
615 165 150 0	CD4101	100-1500 Nm	73,7-1105 lbf ft

Test conditions

Temperature pulse unit: approx. 20° C.

Air pressure: 6,3 bar (90psi) dynamic

Hose size: 10 mm Hose length: 3 m

The tool should achieve the following values after maintenance:

Model	Free speed (r.p.m)	Pulse frequency (Hz)	Min. Torque (Nm)
PT035-T6000-S4Q	5600	19-23	20-35

Correct pulse frequency indicates that the air motor and the pulse unit are in good condition. If the pulse frequency is too high - add oil. If the pulse frequency is too low - reduce oil.

Desoutter37 Mark Road, Hemel Hempstead
Herts, HP2 7BW, United Kingdom**Nutrunner**Part no 2050524003
Issue no 2
Series no C
Date 2012-09
Page 67**WARNING - ATTENTION - WARNUNG - ATENCIÓN - ATENÇÃO - ATTENZIONE -
WAARSCHUWING - ADVARSEL - ADVARSEL - VAROITUS - VARNING - ΠΡΟΕΙΔΟΠΟΙΗΣΗ -
ПРЕДУПРЕЖДЕНИЕ**

FI

TAPATURMAVAARAN PIENENTÄMISEKSI LUE ENNEN HUOLTOLAITTEEN KÄYTTÖÄ SEURAAVAT TIEDOT
JA ERIKSEEN TOIMITETUT TURVALLISUUSOHJEET NIIN, ETTÄ YMMÄRRÄT NE (ERÄNUMERO: 2050502163)

SV

FÖR ATT MINSKA RISKEN FÖR SKADOR MÅSTE DU INNAN DU ANVÄNDER UTRUSTNINGEN ELLER
UTFÖR SERVICE PÅ DEN LÄSA OCH VARA INFÖRSTÅDD MED FÖLJANDE INFORMATION SAMT DE
SÄKERHETSANVISNINGAR SOM TILLHANDAHÅLLS SEPARAT (ARTIKELNUMMER: 2050502163)

EL

ΓΙΑ ΝΑ ΠΕΡΙΟΡΙΣΤΕΙ Ο ΚΙΝΔΥΝΟΣ ΤΡΑΥΜΑΤΙΣΜΟΥ, ΠΡΙΝ ΑΠΟ ΤΗ ΧΡΗΣΗ Η ΤΗ ΣΥΝΤΗΡΗΣΗ ΤΟΥ
ΕΡΓΑΛΕΙΟΥ, ΝΑ ΔΙΑΒΑΣΕΤΕ ΚΑΙ ΝΑ ΚΑΤΑΝΟΗΣΕΤΕ ΤΙΣ ΠΑΡΑΚΑΤΩ ΠΛΗΡΟΦΟΡΙΕΣ, ΚΑΘΩΣ ΚΑΙ ΤΙΣ
ΟΔΗΓΙΕΣ ΓΙΑ ΤΗΝ ΑΣΦΑΛΕΙΑ ΠΟΥ ΔΙΝΟΝΤΑΙ ΞΕΧΩΡΙΣΤΑ (ΚΩΔΙΚΟΣ ΕΙΔΟΥΣ: 2050502163)

RU

ЧТОБЫ СНИЗИТЬ РИСК ТРАВМИРОВАНИЯ, ПЕРЕД ИСПОЛЬЗОВАНИЕМ УСТРОЙСТВА ИЛИ
ПРОВЕДЕНИЕМ ЕГО ТЕХНИЧЕСКОГО ОБСЛУЖИВАНИЯ ПРОЧИТАЙТЕ И РАЗБЕРИТЕСЬ В СОДЕРЖАНИИ
СЛЕДУЮЩЕЙ ИНФОРМАЦИИ, А ТАКЖЕ ИНСТРУКЦИЙ ПО БЕЗОПАСНОСТИ, ПОСТАВЛЯЕМЫХ ОТДЕЛЬНО
(КОД: 2050502163)