



Nutrunner
User manual, EC-declaration included

PT240-T2800-I19S
(160-240 Nm)

2051474724



	WARNING - ATTENTION - WARNUNG - ATENCIÓN - ATENÇÃO - ATTENZIONE - WAARSCHUWING - ADVARSEL - ADVARSEL - VAROITUS - VARNING - ΠΡΟΕΙΔΟΠΟΙΗΣΗ - ПРЕДУПРЕЖДЕНИЕ	
	TO REDUCE THE RISK OF INJURY, BEFORE USING OR SERVICING TOOL, READ AND UNDERSTAND THE FOLLOWING INFORMATION AS WELL AS SEPARATELY PROVIDED SAFETY INSTRUCTIONS (ITEM NUMBER: 2050502163)	
	AFIN DE LIMITER LES RISQUES DE BLESSURES, AVANT D'UTILISER OU DE RÉPARER L'OUTIL, LISEZ ET ASSIMILEZ LES INFORMATIONS SUIVANTES AINSI QUE LES INSTRUCTIONS DE SÉCURITÉ FOURNIES SÉPARÉMENT (CODE D'ARTICLE : 2050502163)	
	ZUR VERRINGERUNG DES VERLETZUNGSRIKOS SIND VOR DER INBETRIEBNAHME ODER WARTUNG DES WERKZEUGS FOLGENDE INFORMATIONEN SOWIE DIE GETRENNT BEILIEGENDEN SICHERHEITSANWEISUNGEN (ARTIKELNR. 2050502163) SORGFÄLTIG ZU LESEN	
	PARA REDUCIR EL RIESGO DE LESIONES, ANTES DE UTILIZAR O REVISAR LA HERRAMIENTA, LEA DETENIDAMENTE LA SIGUIENTE INFORMACIÓN Y LAS INSTRUCCIONES DE SEGURIDAD PROPORCIONADAS POR SEPARADO (NÚMERO DE COMPONENTE: 2050502163)	
	PARA REDUZIR O RISCO DE OCORRÊNCIA DE FERIMENTOS, ANTES DE UTILIZAR A FERRAMENTA DE ASSISTÊNCIA LEIA ATENTAMENTE A INFORMAÇÃO QUE SE SEGUE, BEM COMO AS INSTRUÇÕES DE SEGURANÇA FORNECIDAS EM SEPARADO (NÚMERO DE ARTIGO: 2050502163)	
	PER RIDURRE IL RISCHIO DI LESIONI, PRIMA DI UTILIZZARE O RIPARARE L'UTENSILE, LEGGERE ATTENTAMENTE LE INFORMAZIONI RIPORTATE DI SEGUITO OLTRE ALLE ISTRUZIONI DI SICUREZZA FORNITE SEPARATAMENTE (N. ARTICOLO: 2050502163)	
	OM HET RISICO VAN VERWONDING TIJDENS HET GEBRUIK VAN DIT PRODUCT OF TIJDENS ONDERHOUD TE VERMIJDEN, DIENEN DE HIERNA VOLGENDE INFORMATIE EN DE APART VERSTREKTE VEILIGHEIDSINSTRUCTIES GOED GELEZEN TE WORDEN (ONDERDEELNUMMER: 2050502163)	
	FOR AT NEDSÆTTE RISIKOEN FOR LEGEMSBESKADIGELSE SKAL DU LÆSE OG FORSTÅ FØLGENDE INFORMATION SAMT DE SIKKERHEDSINSTRUKTIONER, DER MEDFØLGER SÆRSKILT (DELNUMMER: 2050502163), FØR DU ANVENDER ELLER UDFØRER SERVICE PÅ VÆRKTØJET	
	FOR Å REDUSERE FAREN FOR SKADE MÅ DU LESE OG FORSTÅ FØLGENDE OPPLYSNINGER SAMT INSTRUKSJONENE SOM LEVERES SEPARAT (ARTIKKELNUMMER: 2050502163), FØR DU BRUKER VERKTØYET ELLER UTFØRER SERVICE PÅ DET	
	TAPATURMAVAARAN PIENENTÄMISEKSI LUE ENNEN HUOLTOLAITTEEN KÄYTTÖÄ SEURAAVAT TIEDOT JA ERIKSEEN TOIMITETUT TURVALLISUUSOHJEET NIIN, ETTÄ YMMÄRRÄT NE (ERÄNUMERO: 2050502163)	

Desoutter**User manual, EC-declaration included
Nutrunner**

Part no	2050505743
Issue no	3
Series no	C
Date	2015-03

**WARNING - ATTENTION - WARNUNG - ATENCIÓN - ATENÇÃO - ATTENZIONE - WAARSCHUWING
- ADVARSEL - ADVARSEL - VAROITUS - VARNING - ΠΡΟΕΙΔΟΠΟΙΗΣΗ - ПРЕДУПРЕЖДЕНИЕ**

FÖR ATT MINSKA RISKEN FÖR SKADOR MÅSTE DU INNAN DU ANVÄNDER UTRUSTNINGEN ELLER UTFÖR SERVICE PÅ DEN LÄSA OCH VARA INFÖRSTÅDD MED FÖLJANDE INFORMATION SAMT DE SÄKERHETSANVISNINGAR SOM TILLHANDAHÅLLS SEPARAT (ARTIKELNUMMER: 2050502163)

Copyright

© Copyright 2013, Desoutter HP2 7SJ UK. All rights reserved. Any unauthorized use or copying of the contents or part thereof is prohibited. This applies in particular to trademarks, model denominations, part numbers and drawings. Use only authorized parts. Any damage or malfunction caused by the use of unauthorized parts is not covered by Warranty or Product Liability.

Statement of use

This product is designed for installing and removing threaded fasteners in wood, metal and plastic. No other use permitted. For professional use only. The use of spare parts/accessories other than those originally supplied by the manufacturer may result in a drop in performance and/or increased maintenance/noise level/vibrations, and as the result, the full cancellation of the manufacturer's liability.

Installation

Air quality

- For optimum performance and maximum machine life we recommend use of compressed air with a dew point between +2°C and +10°C. Installation of a refrigeration-type air dryer is recommended.
- Use a separate air filter to remove solid particles larger than 30 microns and more than 90 % of water, installed as close as possible to the machine and prior to any other air preparation unit. Blow out the hose before connecting.
- The compressed air must contain a small quantity of oil. We strongly recommend that you install a oil-fog lubricator to be set normally at 3-4 drops(50mm³)/m³ air consumption for long cycle running tools, or a single-point lubricator for short cycle running tools.
- Regarding lubrication free tools it is, at the customers option, no disadvantage if the compressed air contains a small quantity of oil as supplied from a lubricator. An exception is turbine tools that should be kept oil free. (For further information please see Air Line Accessories in our main catalogue.)

Compressed air connection

- The machine is designed for a working pressure of 6–7 bar = 600–700 kPa = 87–102 psi.
- Blow out the hose before connecting.

Handling

Setting of tightening torque

- ① The adjusting screw is accessible through the hole in the housing. If necessary, turn the outgoing spindle.

After adjusting, do not forget to assemble the plug of the hole in the housing.

It is recommended to start at min. torque setting - when the adjustment screw is screwed out approx. 6 turns from the bottom position. Do not screw out more.

Use of a machine over recommended maximum torque might result in improper function and faster wear.

Always check the setting on your actual joint.

Test method - Static or Dynamic

A static torque measurement is recommended for the Pulse Tool machines.

If dynamic torque measurement with an electronic inline torque transducer is used, always verify your measurement result by a static check with a torque wrench (electronic).

WARNING



NEVER CONNECT A PART ASSEMBLED TOOL TO THE AIR SUPPLY. THE ROTOR BLADES IN THIS TOOL HAVE A PTFE CONTENT. THE NORMAL HEALTH AND SAFETY RECOMMENDATIONS CONCERNING PTFE MUST BE OBSERVED WHEN HANDLING THESE ROTOR BLADES.

- DO NOT SMOKE.
- MOTOR COMPONENTS MUST BE WASHED WITH CLEANING FLUID AND NOT BLOWN CLEAR WITH AN AIR LINE.
- THE SILENCER MUST BE REPLACED WHEN DIRTY, DO NOT CLEAN AND RE-USE.
- WASH HANDS BEFORE COMMENCING ANY OTHER ACTIVITY

Maintenance

- All torque figures ± 10%.
- When disposing of components, lubricants, etc. ensure that the relevant safety procedures are carried out.
- Overmold should be wiped clean with a general purpose, nonaggressive degreasant.

For maximum performance

At tough working conditions – soft joints and max. setting – lubrication of the air is recommended.

With extreme dry air the service life of vanes and machine performance might be reduced. A daily supply of 0.1 – 0.2 ml oil into the machine inlet will improve the machine performance. At hard joints and low tightening torque settings reduced free speed by the Trim-valve will improve the accuracy. Alternatively consider an automatic lubricator device, oil fog lubricator or single point lubricator which will improve the machine performance.

Refill the pulse-unit with oil

For further information pls see - Service Instructions.

For optimum machine performance the pulse unit must be correctly filled with oil. Due to a possible microleakage of oil from the pulse unit, it could be necessary to refill the unit between the regular overhaul intervals. The frequency of this procedure depends on the type of application, number of cycles, tightening time etc. An accurate refill of the pulse unit gives long service intervals.

Too much oil in the pulse unit implies a low pulse frequency and slow tightening.

Too little oil in the pulse unit implies a high pulse frequency and there will be a risk of a decreasing tightening torque. In particular at the first tightening after a break the machine might race.

Use Hydraulic Oil : 22 cSt / 40 °C (ISO VG22). Running the machine with too little oil may damage the pulse unit. After the refill – Check the tightening torque, see Service instructions.

Rust protection and internal cleaning

Water in the compressed air, dust and wear particles cause rust and sticking of vanes, valves etc. An air filter should be installed



Part no	2050505743
Issue no	3
Series no	C
Date	2015-03
Page	4



close to the machine (see 'Air quality'). Before longer standstills, flush with oil (some drops) into the air inlet, run the machine for 5-10 seconds when absorbing the oil in a cloth.

Service instructions

Overhaul and preventive maintenance is recommended at regular intervals once per year or after maximum 250.000 tightening depending on which occurs sooner. More frequent overhaul may be needed, specially changing oil in the pulse unit, if used at high torque and long tightening times. If the machine is not working properly, it should immediately be taken away for inspection.

The strainer at the air inlet and the exhaust silencer should be cleaned frequently or replaced in order to prevent clogging, which decreases the capacity.

At the overhauls, all parts should be cleaned accurately and defective or worn parts (i.e. O-rings, vanes) should be replaced.

- ⓘ All o-rings should be greased before assembling; especially important are the o-rings in the pulse unit.

Disassembling /assembling

It is important that the machines threaded connections are tightened properly; i.e. in accordance with the specifications on the exploded views.

Cleaning

Clean all parts, not electrical, thoroughly in white spirit or similar cleaning agent. To prevent clogging and decreased power, it could be necessary to clean the strainer (if used) and the exhaust filter between the overhauls.

Inspection

After the cleaning, inspect all parts. Damaged and worn parts should be replaced.

Lubrication

Lubricate specially gears, valve and clutch with grease containing molybdenum disulphide (e.g. Molykote BR2 Plus). Lubricate o-rings and threaded connections with grease before assembling.

Grease Guide

Brand	General purpose Bearings	Motor shaft	Air Lubrication
BP	Energrease LS-EP2		Energol E46
Castrol	Spheerol EP L2		
Esso	Beacon EP2		Arox EP46
Q8	Rembrandt EP2		Chopin 46
Mobil	Mobilegrease XHP 222		Almo oil 525
Shell	Alvania EP2		Tonna R32
Texaco	Multifak EP2		Aries 32
Molykote		BR2 Plus	
Lubricating Engineers		Almagard-3752	

Spare parts

Parts without ordering number are not delivered separately for technical reasons.

The use of other than genuine Desoutter replacement parts may result in decreased tool performance and increased maintenance and may, at the company option, invalidate all warranties.

Technical data

Rated speed and Torque range

Rated speed (Rpm)	2800
Torque range (Nm)	160-240

Noise and vibration emission

Noise (according to EN ISO 15744)	dB(A)
Measured sound pressure level	81
Determined sound power level	
Spread in method and production	3

Vibration (according to ISO 8662-7)	m/s ²
Measured vibration value	5.7
Spread in method and production	1.6

Declaration of noise and vibration emission

All values are current as of the date of this publication. For the latest information please visit www.desouttertools.com. These declared values were obtained by laboratory type testing in accordance with the stated standards and are suitable for comparison with the declared values of other tools tested in accordance with the same standards. These declared values are not adequate for use in risk assessments and values measured in individual work places may be higher. The actual exposure values and risk of harm experienced by an individual user are unique and depend upon the way the user works, the workpiece and the workstation design, as well upon the exposure time and the physical condition of the user.

We, Desoutter, cannot be held liable for the consequences of using the declared values, instead of values reflecting the actual exposure, in an individual risk assessment in a work place situation over which we have no control. This tool may cause hand-arm vibration syndrome if its use is not adequately managed. An EU guide to managing hand-arm vibration can be found at <http://www.humanvibration.com/EU/VIBGUIDE.htm> We recommend a programme of health surveillance to detect early symptoms which may relate to noise or vibration exposure, so that management procedures can be modified to help prevent future impairment.

EC DECLARATION OF CONFORMITY

We, Desoutter, 37 Mark road, Hemel Hempstead, Herts-UK, HP27BW, +44 (0) 1442 838999 declare under our sole responsibility that our product (with type and serial number, see front page) and in combination with our accessories, to which this declaration relates is in conformity with the appropriate standard(s):

EN ISO 11148-6: 2010

and in accordance with the following directive(s):

2006/42/EC

Machinery Directive Origin of the product: Sweden Technical file available from EU headquarter.CP

38 rue Bobby Sands - BP 1027344818 Saint Herblain - France+33 (0) 2 40 80 20 00 Saint Herblain, 20/06/2012 B. Blanchet, General Manager

Signature of issuer

Desoutter Warranty

- 1) This Desoutter product is guaranteed against defective workmanship or materials, for a maximum period of 12 months following the date of purchase from Desoutter or its agents, provided that its usage is limited to single shift operation throughout that period. If the usage rate exceeds that of single shift operation, the warranty period shall be reduced on a pro rata basis.
- 2) If, during the warranty period, the product appears to be defective in workmanship or materials, it should be returned to Desoutter or its agents, together with a short description of the alleged defect. Desoutter shall, at its sole discretion, arrange to repair or replace free of charge such items as are deemed faulty by reason of defective workmanship or materials.
- 3) This warranty ceases to apply to products which have been abused, misused or modified, or which have been repaired using other than genuine Desoutter spare parts or by someone other than Desoutter or its authorized service agents.
- 4) Should Desoutter incur any expense correcting a defect resulting from abuse, misuse, accidental damage or unauthorized modification, they will require that such expense shall be defrayed in full.
- 5) Desoutter accepts no claim for labour or other expenditure made upon defective products.
- 6) Any direct, incidental or consequential damages whatsoever arising from any defect are expressly excluded.
- 7) This warranty is given in lieu of all other warranties, or conditions, expressed or implied, as to the quality, merchantability or fitness for any particular purpose.
- 8) No one, whether an agent, servant or employee of Desoutter, is authorized to add to or modify the terms of this limited warranty in any way.

Copyright

© Copyright 2013, Desoutter HP2 7SJ Royaume-Uni. Tous droits réservés. Toute utilisation non autorisée ou copie de tout ou partie du présent document sont interdits. Ceci s'applique plus particulièrement aux marques de commerce, dénominations de modèles, références et schémas. Utiliser exclusivement les pièces autorisées. Tout dommage ou dysfonctionnement causé par l'utilisation d'une pièce non autorisée ne sera pas couvert par la garantie du fabricant ou la responsabilité du fait des produits.

Declaration d'utilisation

Ce produit est conçu pour visser et dévisser des attaches fi letées dans le bois, le métal et le plastique. Il ne doit être utilisé à aucune autre fi n. Il est réservé à un usage professionnel. L'utilisation de pièces détachées et/ou d'accessoires qui ne sont pas fournis par le fabricant d'origine peu engendrer une diminution des performances et/ou une augmentation de l'entretien et du niveau de vibration; une telle utilisation provoque également l'annulation totale de la responsabilité du fabricant.

Installation

Qualité de l'air

- Pour obtenir des performances optimales et une durée de vie de la machine maximum, nous vous recommandons d'utiliser de l'air comprimé avec un point de rosée compris entre +2°C et +10°C. L'installation d'un sècheur d'air comprimé de type déshydrateur à réfrigération est recommandée.
- Utilisez un filtre à air indépendant pouvant retenir les particules solides supérieures à 30 microns et plus de 90 % d'eau sous forme liquide. Le filtre sera installé aussi près que possible de la machine et avant toute unité de traitement préalable de l'air. Purgez le flexible par soufflage avant de le raccorder.
- L'air comprimé doit contenir une petite quantité d'huile. Nous vous recommandons fortement d'installer pour les outils à cycle long un lubrificateur à brouillard d'huile, celui-ci étant généralement réglé pour fournir de 3 à 4 gouttes (50mm³) par m³ de consommation d'air, ou pour les outils à cycle court un lubrificateur pour graissage localisé.
- Pour les outils n'exigeant pas de lubrification, il n'y a aucun inconvénient, selon le choix du client, à ce que l'air comprimé contienne une petite quantité d'huile fournie par un lubrificateur. Les outils à turbine qui doivent rester exempts d'huile sont une exception. (veuillez vous reporter au chapitre Accessoires de ligne de notre catalogue principal).

Raccordement de l'air comprimé

- L'outil est conçu pour une pression d'utilisation de 6 à 7 bar = 600 – 700 kPa = 6 – 7 kg/cm².
- Soufflez de l'air dans le flexible avant de le connecter.

Maniement

Réglage du couple de serrage

- ① La vis de réglage est accessible par l'orifice du carter. Si nécessaire, faites tourner l'arbre complémentaire.

Une fois le réglage terminé, n'oubliez pas de replacer le bouchon de l'orifice du carter.

Il est recommandé de commencer par le couple minimum correspondant à environ 6 tours de dévissage de la vis de réglage à partir de sa position de blocage (vissée à fond). Ne dévissez jamais plus 8 tours à partir de la position de blocage.

Contrôlez toujours le réglage sur le joint que vous utilisez.

Méthode de test statique ou dynamique

Nous vous recommandons de mesurer le couple des outils Pulse Tool de manière statique.

Si vous le mesurez de manière dynamique à l'aide d'un capteur de couple en ligne électronique, vérifiez toujours les résultats de mesure en effectuant un contrôle statique à l'aide d'une clé dynamométrique à déclenchement (électronique).

ATTENTION

NE JAMAIS RACCORDER UN OUTIL PARTIELLEMENT MONTÉ À L'ALIMENTATION PNEUMATIQUE. LES LAMES DE ROTOR DE CET OUTIL CONTIENNENT DU PTFE. LES RECOMMANDATIONS NORMALES POUR LA SANTÉ ET LA SÉCURITÉ AU SUJET DES PTFE DOIVENT ÊTRE OBSERVÉES LORS DE LA MANIPULATION DE CES LAMES DE ROTOR.



- NE PAS FUMER
- LES PIÈCES DU MOTEUR DOIVENT ÊTRE LAVÉES AVEC UN FLUIDE DE NETTOYAGE ET NON PAS NETTOYÉES AU JET D'AIR
- LE SILENCIEUX DOIT ÊTRE REMPLACÉ LORSQU'IL EST SALE. NE PAS NETTOYER, NI RÉUTILISER
- SE LAVER LES MAINS AVANT DE COMMENCER TOUTE AUTRE ACTIVITÉ.

Instruction D'Entretien

- Valeurs de couple à ± 10%.
- Pour se débarrasser de pièces, graisse, etc, s'assurer que les procédures de sécurité en vigueur sont appliquées.
- Nettoyer le collier rapporté à l'aide d'un produit dégraissant courant non agressif.

Pour obtenir un rendement maximum

Dans des conditions de travail rudes, joints mous et réglage maximum, nous vous recommandons de lubrifier l'air.

De l'air extrêmement sec peut réduire la durée de vie des palettes et la puissance de l'outil. Vous pouvez améliorer les performances de l'outil en ajoutant quotidiennement une petite quantité d'huile (0,1 - 0,2 ml) dans l'admission ou en utilisant un dispositif de lubrification automatique de type lubrificateur par brouillard d'huile ou lubrificateur à point unique.

Faites l'appoint d'huile de l'unité hydraulique

Pour un rendement optimal de l'outil, vous devez faire l'appoint d'huile correct de l'unité hydraulique. En raison d'une éventuelle petite fuite d'huile au niveau de cette unité, il se peut que vous deviez faire l'appoint de l'unité entre les intervalles d'entretien ordinaire. La fréquence de cet appoint dépend du type d'application, du nombre de cycles, du temps de serrage, etc. Un remplissage précis permet en effet de prolonger les intervalles d'entretien.

La présence d'une quantité d'huile trop élevée dans l'unité hydraulique réduit la fréquence d'impulsions et ralentit les serrages.

La présence d'une quantité d'huile insuffisante dans l'unité hydraulique augmente la fréquence d'impulsions et présente un



risque de diminution du couple de serrage. Lors des premiers serrages après une interruption, il se peut aussi que l'outil s'emballé.

Utilisez de l'huile hydraulique 22 cST / 40 °C (ISO VG22).

Pour éviter d'endommager l'unité hydraulique, ne faites pas fonctionner l'outil trop longtemps lorsque le niveau d'huile est insuffisant.

Après avoir fait l'appoint d'huile, vérifiez le couple de serrage.

Protection contre la rouille et nettoyage interne

L'eau de l'air comprimé, les poussières et autres particules dues à l'usure peuvent entraîner la formation de corrosion et colmater les palettes, les soupapes, etc. Nous vous conseillons d'installer un filtre à air à proximité de l'outil (voir "Qualité de l'air"). Avant d'entreposer l'outil pendant une période prolongée, versez quelques gouttes d'huile dans l'admission d'air et faites tourner l'outil pendant 5 à 10 secondes tout en épongeant l'huile à l'aide d'un chiffon.

Instructions de service

Nous vous conseillons de procéder régulièrement à la révision et l'entretien préventif de l'outil, notamment une fois par an ou après 250.000 serrages maximum, selon l'échéance la plus proche. Des révisions plus fréquentes peuvent s'avérer nécessaires, notamment le remplacement de l'huile de l'unité hydraulique, quand l'outil est utilisé avec un couple élevé ou que les durées de serrage sont importantes. Si l'outil ne fonctionne pas correctement, il doit être immédiatement retiré du service et inspecté.

Le filtre de l'admission d'air et le silencieux doivent être nettoyés fréquemment ou remplacés afin d'éviter tout colmatage susceptible de diminuer les capacités de l'outil.

Lors de chaque révision, nettoyez convenablement toutes les pièces et remplacez celles qui sont usées ou endommagées (notamment les joints toriques et les palettes).

- ⓘ Tous les joints toriques doivent être graissés avant d'être montés, en particulier ceux de l'unité hydraulique.

Démontage/montage

Il est important de serrer correctement les connexions filetées des outils, conformément aux spécifications mentionnées dans les vues éclatées.

Nettoyage

Nettoyez complètement toutes les pièces avec du White spirit ou autre agent de nettoyage similaire.

Pour éviter tout colmatage ou toute diminution de puissance, vous devez nettoyer le filtre (le cas échéant) et le filtre d'échappement entre les entretiens.

Inspection

Après le nettoyage, vérifiez toutes les pièces. Remplacez toutes les pièces endommagées ou usées.

Lubrification

Lubrifiez en particulier les engrenages, la soupape et l'embrayage avec de la graisse contenant du bisulfite de molybdène (Molykote BR2 Plus, par exemple). Consultez les figures et les vues éclatées dans les instructions de service.

Lubrifiez les joints toriques et les connexions filetées avec de la graisse avant de les remonter.

Guide de sélection des graisses

Marque	Tout usage Paliers	Moteur arbre	Lubrification de l'air
BP	Energrease LS-EP2		Energol E46
Castrol	Spheerol EP L2		
Esso	Beacon EP2		Arox EP46
Q8	Rembrandt EP2		Chopin 46
Mobil	Mobilegrease XHP 222		Almo oil 525
Shell	Alvania EP2		Tonna R32
Texaco	Multifak EP2		Aries 32
Molycote		BR2 Plus	
Lubricating Engin-eers		Almagard-3752	

Pièces de rechange

Pour des raisons techniques, les pièces dépourvues de numéro de référence ainsi que celles fournies dans les kits de service ne sont pas disponibles séparément.

L'utilisation de pièces de rechange autres que les pièces d'origine Desoutter peut entraîner une diminution des performances de l'outil et augmenter la fréquence des opérations de maintenance. Ceci peut également invalider toute garantie à la discrétion de la société Desoutter.

Caractéristiques techniques

Vitesse nominale et plage de couple

Vitesse nominale (t/min)	2800
Plage de couple (Nm)	160-240


Niveau de bruit et émission de vibrations

Bruit mesurées conformément à EN ISO 15744	dB(A)
Niveau de pression sonore mesuré	81
Niveau de puissance sonore déterminée	
Propagation en méthode et production	3

Vibrations mesurées conformément à ISO 8662-7	m/s ²
Valeur de vibration mesurée	5.7
Propagation en méthode et production	1.6

Niveau de bruit et émission de vibration déclarés

Toutes les valeurs sont celles connues à la date de publication du présent document. Pour obtenir les renseignements les plus récents, visiter le www.desouttertools.com. Ces valeurs ont été obtenues par des essais en laboratoire conformément aux normes indiquées; elles ne peuvent pas être utilisées pour l'évaluation des risques. Les valeurs mesurées sur les lieux de travail individuels peuvent être supérieures aux valeurs indiquées. Les valeurs d'exposition et le risque de préjudice réels dépendent de l'utilisateur et de sa condition physique, de la méthode de travail utilisée, de la pièce de travail, de la conception de la station de travail et du temps d'exposition. Desoutter ne saurait être tenue responsable des conséquences de l'utilisation des valeurs ci-dessus au lieu des valeurs représentatives de l'exposition réelle, dans les études de risques individuelles sur les lieux de travail qui échappent à notre contrôle. Cet outil peut provoquer des Troubles Musculo-

Part no	2050505743	
Issue no	3	
Series no	C	
Date	2015-03	
Page	8	

Squelettiques, si son utilisation n'est pas correcte. Un guide communautaire de la prévention des TMS peut être trouvé sur le site :<http://www.humanvibration.com/EU/VIBGUIDE.htm> Nous recommandons un programme de surveillance de la santé pour détecter les premiers symptômes se rapportant au bruit ou à l'exposition aux vibrations, et de modifier les conditions travail pour aider à prévenir les troubles à venir.

Garantie Desoutter

- 1) Ce produit Desoutter est garanti contre les vices de matière ou les défauts de fabrication pendant une période maximale de 12 mois à compter de la date d'achat chez Desoutter ou ses agents, à condition que son utilisation se limite à un poste par jour pendant toute cette période. Si la cadence d'utilisation dépasse celle d'un poste par jour, la période de garantie sera réduite au pro rata.
- 2) Si, pendant la période de garantie, le produit semble présenter un vice de matière ou un défaut de fabrication, il devra être renvoyé à Desoutter ou à ses agents, accompagné d'une brève description du défaut présumé. Desoutter prendra à sa seule discrétion les dispositions nécessaires pour réparer ou remplacer gratuitement les articles jugés défectueux au motif d'un vice de matière ou d'un défaut de fabrication.
- 3) Cette garantie cesse de s'appliquer aux produits qui ont été forcés, mal utilisés ou modifiés ou aux produits qui ont été réparés à l'aide de pièces de rechange de marque autre que Desoutter ou par une personne autre que Desoutter ou ses agents d'entretien agréés.
- 4) Si Desoutter devait engager des frais pour rectifier un défaut résultant d'un abus, d'une mauvaise utilisation, d'un dommage accidentel ou d'une modification non autorisée, elle en exigerait le remboursement intégral.
- 5) Desoutter n'accepte aucune réclamation pour les frais de main-d'œuvre ou autres dépenses en rapport avec des produits défectueux.
- 6) Tout préjudice direct, indirect ou consécutif quel qu'il soit, occasionné à la suite d'un défaut quelconque, est expressément exclus.
- 7) Cette garantie est donnée en lieu et place de toute autre garantie ou condition, expresse ou implicite, quant à la qualité, à la valeur marchande ou à l'adéquation à un objectif particulier.
- 8) Personne, qu'il s'agisse d'un agent, d'un préposé ou d'un employé de Desoutter, n'est autorisé à augmenter ou modifier de quelque manière que ce soit les termes de la présente garantie limitée.

Copyright

© Copyright 2013, Desoutter HP2 7SJ GB. Alle Rechte vorbehalten. Jeglicher nicht autorisierter Gebrauch sowie das Kopieren der Inhalte ganz oder in Teilen ist verboten. Dies gilt insbesondere für Handelsmarken, Modellbezeichnungen, Artikelnummern und Zeichnungen. Verwenden Sie ausschließlich Originalbauteile. Schäden oder Fehlfunktionen, die durch den Einsatz unzulässiger Bauteile entstehen, werden nicht durch Garantie oder Produkthaftung abgedeckt.

Nutzungshinweise

Dieses Produkt ist ausschließlich für den industriellen Einsatz bestimmt. Es ist ausschließlich zum Herstellen von Schraubverbindungen in Metall, Kunststoff oder Holz bestimmt. Eine andere Benutzung gilt als nicht bestimmungsgemäß. Die Verwendung von Ersatz- oder Zubehörteilen, die nicht vom Hersteller bezogen wurden, kann zu Leistungsminderung bzw. erhöhtem Wartungsbedarf, Lärmpegel und stärkeren Vibrationen führen und in der Folge das Erlöschen der Produkthaftung des Herstellers nach sich ziehen.

Installation

Luftqualität

- Für eine optimale Leistung und maximale Maschinenlebensdauer empfehlen wir den Einsatz von Druckluft mit einem Taupunkt zwischen 2 und 10 °C. Die Installation eines Kühltrockners wird empfohlen.
- Verwenden Sie einen separaten Luftfilter. Dieser sorgt für die Abscheidung von Feststoffteilchen mit einer Größe über 30 Mikrometer sowie mehr als 90 % des flüssigen Wassers. Der Filter ist so nah wie möglich an der Maschine und vor weiteren Luftaufbereitungseinheiten zu installieren. Blasen Sie den Schlauch vor dem Anschluss aus.
- Die Druckluft muss eine geringe Ölmenge enthalten. Wir empfehlen nachdrücklich die Installation eines Nebelölers. Dieser wird in der Regel auf 3-4 Tropfen (50 mm³) je Kubikmeter Luftverbrauch für Werkzeuge mit langen Arbeitszyklen eingestellt. Alternativ kann ein Einspritzöler für Werkzeuge mit kurzen Arbeitszyklen verwendet werden.
- Bei schmierfreien Werkzeugen, die auf Kundenwunsch bereitgestellt werden, ist es nicht nachteilig, wenn die Druckluft eine geringe Ölmenge enthält, die von einem Öler abgegeben wird. Eine Ausnahme stellen Turbinenwerkzeuge dar, für die ein ölfreier Betrieb gewährleistet werden muss. (siehe Luftleitungs-zubehör in unserem Hauptkatalog).

Druckluftanschluss

- Das Werkzeug ist für einen Betriebsdruck (e) von 6 - 7 bar = 600 - 700 kPa = 6-7 kp/cm² ausgelegt.
- Vor dem Anschluß den Schlauch sauber blasen.

Bedienung

Einstellung des Anziehmoments

- ⓘ Die Stellschraube ist durch die Öffnung im Gehäuse sichtbar. Evtl. die Ausgangsspindel drehen.

Nach dem Einstellen nicht vergessen, die Öffnung im Gehäuse wieder zu verschließen.

Es empfiehlt sich, die Einstellung mit dem kleinsten Anziehdrehmoment zu beginnen, indem die Stellschraube etwa 6 Umdrehungen herausgeschraubt wird. Die Schraube nicht mehr.

Immer das eingestellte Anziehdrehmoment der aktuellen Schraubverbindung überprüfen.

Prüfmethode - statisch oder dynamisch

Für die Pulse Tool-Maschinen wird eine statische Messung des Moments empfohlen.

Wird eine dynamische Messung mit einem elektronischen Reihmomentwandler ausgeführt, ist die Meßmethode immer durch eine statische Kontrolle mit einem Momentschlüssel (elektronisch) zu überprüfen.

WARNUNG



NIEMALS EIN NICHT VOLLSTÄNDIG MONTIERTES WERKZEUG AN DAS LUFTNETZ ANSCHLIESSEN. DIE ROTORBLÄTTER DIESES WERKZEUGS ENTHALTEN PTFE. BEI HANDHABUNG DIESER ROTORBLÄTTER SIND DIE ÜBLICHEN GESUNDHEITS- UND SICHERHEITS-VORSCHRIFTEN FÜR PTFE ZU BEACHTEN.

- NICHT RAUCHEN.
- MOTORTEILE MIT REINIGUNGSMITTEL SÄUBERN UND NICHT MIT LUFTLEITUNG DURCHBLASEN.
- WENN SCHMUTZIG, SCHALLDÄMPFER AUSTAUSCHEN. NICHT SÄUBERN UND ERNEUT VERWENDEN.
- VOR BEGINN ALLER SONSTIGEN TÄTIGKEITEN HÄNDE WASCHEN.

Wartungsanleitung

- Sämtliche Drehmomentzahlen $\pm 10\%$.
- Beim Entsorgen von Teilen, Schmiermitteln usw. dafür sorgen, dass die entsprechenden Sicherheitsvorkehrungen getroffen werden.
- Das Gehäuse sollte mit einem harmlosen Allzweck-Entfetter sauber gewischt werden.

Für höchste Leistung

Bei harten Arbeitsbedingungen - weichen Verbindungen, ständiger Benutzung und langen Anziehzeiten - wird eine Schmierung der Luft empfohlen.

Bei extrem trockener Luft kann sich die Lebensdauer der Lamellen und die Leistung des Geräts verringern. Eine tägliche Ölversorgung (0,1 - 0,2 ml) in den Geräteeinlass oder der Einsatz einer Schmiervorrichtung, Ölnebelschmierer oder eines Punktschmierers wird die Leistung des Geräts verbessern.

Die Impulseinheit mit Öl auffüllen

Damit die Maschine optimal funktioniert, muß die Impulseinheit richtig mit Öl aufgefüllt werden. Aufgrund einer möglichen geringfügigen Leckage kann es erforderlich sein, die Impulseinheit zwischen den Wartungsintervallen aufzufüllen. Wie oft das erforderlich ist, ist von der Art des Schraubverbands, der Anzahl des Festziehens und der Festziehzeit usw. abhängig. Ein richtiger Ölstand in der Impulseinheit verlängert die Serviceintervalle.

Zu viel Öl in der Impulseinheit verursacht eine niedrige Impulsfrequenz und verlangsamt das Anziehen.

Zu wenig Öl in der Impulseinheit verursacht eine hohe Impulsfrequenz und es besteht die Gefahr für ein verringertes Anziehdrehmoment. Besonders bei den ersten Schraubzyklen nach einer Unterbrechung kann die Maschine überdrehen.

Folgendes Hydrauliköl verwenden : 22 cST / 40°C (ISO VG22)
 Wenn die Maschine eine Zeit lang mit zu wenig Öl in der Impulseinheit benutzt wird, kann die Impulseinheit beschädigt werden.
 Nach dem Auffüllen das Anziehdrehmoment kontrollieren.

Rostschutz und Reinigung des Geräteinnenteils

Wasser in der Druckluft, Staub und Abnutzungspartikel verursachen

Rost und hohen Verschleiß von Lamellen, Ventilen usw. Ein Luftfilter sollte nahe beim Gerät installiert werden (s. "Luftqualität"). Vor einem längeren Stillstand

Öl (einige Tropfen) in den Lufteinlaß geben und das Gerät dann 5 -10 Sekunden laufen lassen; das herauslaufende Öl in einem Tuch auffangen.

Serviceanleitung

Überholung und vorbeugende Wartung werden in regelmäßigen Abständen einmal jährlich oder nach maximal 250.000 Arbeitszyklen empfohlen, je nach dem, was früher eintritt. Häufigere Überholung ist erforderlich, wenn das Gerät in besonders beanspruchendem Einsatz ist. Wenn das Gerät nicht einwandfrei funktioniert, sollte es zwecks Wartung außer Betrieb genommen werden.

Das Sieb am Lufteinlaß und der Abluftfilter sollten häufig gereinigt

werden, da sie sich sonst zusetzen, wodurch die Leistungsfähigkeit des Gerätes herabgesetzt wird.

Bei den Überholungen müssen alle Teile sorgfältig gereinigt und defekte oder verschlissene Teile (z.B. O-Ringe, Lamellen) müssen ausgetauscht werden.

Alle O-Ringe müssen vor der Montage geschmiert werden. Besonders wichtig sind die O-Ringe in der Impulseinheit.

Es ist wichtig, das die Schraubverbindungen des Geräts sorgfältig angezogen sind, d.h. entsprechen den technische Daten in den Explosionszeichnungen.

Vor dem Zusammensetzen alle Gewinde mit Öl schmieren.

ⓘ Vor dem Zusammensetzen alle Gewinde mit Öl schmieren.

Auseinandernehmen/Zusammenbau

Es ist wichtig, dass die Gewindeanschlüsse der Maschine korrekt festgezogen sind, d.h. in Übereinstimmung mit den Daten in den Explosionszeichnungen.

Reinigung

Alle Teile sorgfältig in Lackbenzin oder einem ähnlichen Reinigungsmittel reinigen. Um Verstopfung und Leistungsverringerung zu vermeiden, kann es erforderlich sein, das Sieb (falls verwendet) und den Auslaßfilter zwischen den Überholungen zu reinigen.

Kontrolle

Nach der Reinigung alle Teile kontrollieren. Beschädigte oder verschlissene Teile müssen ausgetauscht werden.

Schmierung

Besonders die Getriebe, Ventile und die Kupplung mit Schmiermittel schmieren, das Molybdändisulfid enthält (z.B. Molykote BR2 Plus). Siehe Explosionszeichnungen und Abbildungen in der Wartungsanweisung.

Die O-Ringe und Gewindeanschlüsse vor dem Zusammenbau mit Schmiermittel schmieren.

Schmiermittelempfehlungen

Fabrikat	Universal Lager	Motor welle	Luftschmierung
BP	Energrease LS-EP2		Energol E46
Castrol	Spheerol EP L2		
Esso	Beacon EP2		Arox EP46
Q8	Rembrandt EP2		Chopin 46
Mobil	Mobilegrease XHP 222		Almo oil 525
Shell	Alvania EP2		Tonna R32
Texaco	Multifak EP2		Aries 32
Molykote		BR2 Plus	
Lubricating Engineers		Almagard-3752	

Ersatzteile

Teile ohne Bestellnummer werden aus technischen Gründen nicht separat geliefert, ebenso Teile, die in Wartungskits enthalten sind.

Grundsätzlich nur Original-Ersatzteile von Desoutter verwenden. Sie laufen sonst Gefahr, dass die Maschinenleistung nachlässt und ein größerer Wartungsaufwand erforderlich ist. Wenn fabrikatfremde Ersatzteile eingebaut werden, ist der Maschinenhersteller berechtigt, sämtliche Gewährleistungsverpflichtungen für nichtig zu erklären.

Technische Daten

Nenn Drehzahl und Drehmomentbereich

Nenn Drehzahl (min-1)	2800
Drehmomentbereich (Nm)	160-240


Schall- und Vibrationspegel

Geräuschemissionswerte entsprechen EN ISO 15744	dB(A)
Gemessener Schallleistungspegel	81
Festgelegter Schalleistungspegel	
Streubreite je nach Meßverfahren und Produktion	3

Vibrationswerte entsprechen ISO 8662-7	m/s ²
Gemessener Vibrationspegel	5.7
Streubreite je nach Meßverfahren und Produktion	1.6

Erklärung zu Geräuschemission und Vibration

Alle Werte sind zum Zeitpunkt dieser Veröffentlichung auf dem aktuellen Stand. Neueste Informationen finden Sie unter Die genannten Werte wurden durch Tests gemäß den angegebenen Normen unter Laborbedingungen ermittelt und sind nicht ausreichend für Risikoanalysen. Die tatsächlichen Meßwerte am Einsatzort können je nach Umgebung auch höher ausfallen. Die konkrete Belastung und das Gesundheitsrisiko des Benutzers sind von Person zu Person verschieden und hängen von den Arbeitsgewohnheiten, dem Werkstück und der Gestaltung des Arbeitsplatzes sowie von der Belastungsdauer und dem Gesundheitszustand des Benutzers ab. Wir, die Desoutter, haften nicht für die Folgen einer Anwendung der genannten Werte anstelle von Meßwerten der tatsächlichen Belastungswerte in einer Risikoanalyse für einen konkreten Arbeitsplatz, der sich unserer Einflußnahme entzieht. Dieses Werkzeug kann das Hand-Arm-Vibrations-Syndrom auslösen,

Part no	2050505743	
Issue no	3	
Series no	C	
Date	2015-03	
Page	12	

sofern sein Gebrauch nicht in ausreichendem Maße geregelt wird. Ein EU-Leitfaden zur Regelung von Hand-Arm Vibrationen steht im Internet zur Verfügung: <http://www.humanvibration.com/EU/VIBGUIDE.htm> Wir empfehlen ein Programm zur Gesundheitsüberwachung, durch welches frühe Symptome erkannt werden können, welche auf die Vibrationsexposition zurückgeführt werden könnten, so dass die Abläufe der Maßnahmen daraufhin so geändert werden können, dass zukünftige Beeinträchtigungen vermieden werden.

Desoutter Garantie

- 1) Für dieses Desoutter-Produkt gilt ab Kaufdatum (von Desoutter oder einem seiner Vertreter) eine maximal 12-monatige Garantie auf Herstellungs- und Materialfehler, vorausgesetzt dass dessen Gebrauch stets auf einen Einzelschichtbetrieb begrenzt ist. Sollte der Gebrauchsumfang einen Einzelschichtbetrieb überschreiten, wird die Gewährleistungszeit anteilmäßig entsprechend reduziert.
- 2) Sollte das Produkt während der Gewährleistungszeit Herstellungs- oder Materialfehler aufweisen, muss es zusammen mit einer kurzen Beschreibung des angeblichen Defekts an Desoutter oder einen seiner Vertreter zurückgeschickt werden. Desoutter wird Produkte, deren Mängel sich nachweisbar auf Herstellungs- oder Materialfehler zurückführen lassen, nach eigenem Ermessen kostenlos reparieren oder ersetzen.
- 3) Diese Garantie gilt nicht für Produkte, die missbraucht, falsch verwendet oder modifiziert wurden oder wenn die Reparatur unter Verwendung von Teilen ausgeführt wurde, bei denen es sich nicht um Original-Desoutter-Ersatzteile handelt oder von jemand anderem als Desoutter oder einem zugelassenen Kundendienstvertreter vorgenommen wurde.
- 4) Sollten für Desoutter irgendwelche Kosten entstehen, die sich auf Defekte aufgrund von Missbrauch, falscher Verwendung, versehentlicher Beschädigung oder nicht zugelassenen Modifizierungen zurückführen lassen, sind diese vollständig vom Kunden zu tragen.
- 5) Desoutter erkennt keinen Anspruch auf Entschädigung für Arbeitskosten oder sonstige Ausgaben an, die durch defekte Produkte entstanden.
- 6) Ansprüche für unmittelbare, mittelbare oder Folgeschäden, die sich auf einen Defekt zurückführen lassen, sind ausdrücklich ausgeschlossen.
- 7) Diese Garantie gilt anstelle von allen anderen ausdrücklichen oder stillschweigenden Garantien oder Bedingungen in Bezug auf Qualität, Gebrauchstauglichkeit oder Eignung für einen bestimmten Zweck.
- 8) Niemand, weder ein Vertreter, noch ein Beauftragter oder Angestellter von Desoutter, ist befugt, die Bedingungen dieser beschränkten Garantie auf irgendeine Weise zu ergänzen oder zu modifizieren.



Copyright

© Copyright 2013, Desoutter HP2 7SJ UK. Todos los derechos reservados. Queda prohibido el uso autorizado o la copia total o parcial del presente contenido. En particular, esta prohibición se aplica a las marcas comerciales, las denominaciones de los modelos, los números de referencia y los gráficos. Utilice sólo piezas autorizadas. Cualquier daño o avería causada por el uso de piezas no autorizadas quedará excluida de la Garantía o de la Responsabilidad de producto.

Declaración de uso

Este producto está diseñado para instalar y retirar tornillos u otros elementos de fijación roscados en madera, metal y plástico. No se permiten otros usos. Para uso profesional exclusivamente. La utilización de piezas de recambio o accesorios diferentes a los suministrados por el fabricante puede resultar en una disminución de su rendimiento y/o en un aumento de las averías, el nivel de ruido y las vibraciones, además de en la consiguiente declinación de toda responsabilidad por parte del fabricante.

Instalación

Calidad del aire

- Para conseguir un rendimiento óptimo y alargar al máximo la vida útil de la máquina, recomendamos utilizar aire comprimido con un punto de rocío entre +2°C y +10°C. Se recomienda la instalación de un secador de aire, tipo refrigeración.
- Instale un filtro de aire independiente que elimina partículas sólidas mayores de 30 micras y más del 90% de agua líquida, lo más cerca posible de la máquina y antes de cualquier unidad de tratamiento de aire. Antes de conectar la manguera, límpiela con aire a presión.
- El aire comprimido debe contener una pequeña cantidad de aceite. Recomendamos encarecidamente la instalación de un engrasador de niebla de aceite, ajustado con una frecuencia de 3-4 gotas (50mm³)/m³ de consumo de aire para herramientas que funcionen con ciclos largos, o bien, un engrasador de un punto para herramientas que funcionen con ciclos cortos.
- En relación a la lubricación de herramientas libres, a discreción del cliente, no presenta inconvenientes si el aire comprimido contiene una pequeña cantidad de aceite suministrada desde un engrasador. Con la excepción de las herramientas de turbina, que deben mantenerse libres de aceite. (consulte la sección de Accesorios para líneas de aire de nuestro catálogo principal).

Conexión del aire comprimido

- La máquina está diseñada para una presión de trabajo (e) de 6 – 7 bares = 600 – 700 kPa = 6 – 7 kp/cm² = 87 – 102 lb/pulg²(g).
- Soplar aire por la manguera antes de conectarla.

Manejo

Ajuste del par de apriete

- ① El tornillo de ajuste queda accesible por el agujero en la caja. En caso necesario, girar el eje de salida.

Después del ajuste, no olvidarse de montar el tapón del agujero en la caja.

Se recomienda comenzar al ajuste mínimo de par, desenroscando el tornillo de ajuste aproximadamente 6 vueltas desde la posición de fondo. No desenroscar más.

Controlar el par de apriete dado en la junta en cuestión

Método de prueba - Estático o dinámico

Para las máquinas Pulse Tool se recomienda la medición estática del par.

Si se usa la medición estática del par empleando un transductor de par en línea, verificar siempre el método de medición con un control estático empleando una llave dinamométrica (electrónica).

ATENCIÓN



NUNCA CONECTE LA HERRAMIENTA A LA LINEA DE AIRE SI NO ESTA COMPLETAMENTE MONTADA. LAS ALETAS DEL MOTOR DE ESTA HERRAMIENTA CONTIENEN PTFE. SE DEBEN OBSERVAR TODAS LAS RECOMENDACIONES PARA LA SALUD Y SEGURIDAD RESPECTO AL PTFE CUANDO E MANEJAN ESTAS ALETAS DE MOTOR.

- NO FUMAR.
- LOS COMPONENTES DEL MOTOR SE DEBEN LAVAR CON UN LIQUIDO LIMPIADOR Y NO SOPLAR CON UNA LINEA DE AIRE.
- EL SILENCIADOR SE DEBE CAMBIAR CUANDO ESTE SUCIO. NO SE DEBE LIMPIAR Y VOLVER A USAR.
- SE DEBE LAVAR LAS MANOS ANTES DE EMPEZAR CUALQUIER OTRA ACTIVIDAD.

Mantenimiento

- Los valores de par son ±10%.
- Asegurarse que los procedimientos de seguridad son efectuados cuando se deshace de componentes, lubricantes, etc.
- Para limpiar la moldadura superior pásele un paño humedecido con un desgrasador de uso general suave.

Para un rendimiento óptimo

En condiciones de trabajo difíciles - juntas suaves y ajuste máximo - se recomienda la lubricación del aire.

Con aire sumamente seco, la vida útil de las aletas y la potencia de la máquina pueden reducirse. Introduzca diariamente aceite (0,1 - 0,2 ml) en la entrada de la máquina o instale un dispositivo automático de lubricación como el nebulizador de aceite o un lubricador de punto único, que mejorarán el rendimiento de la máquina.

Llenado de la unidad de impulsos con aceite

Para rendimiento óptimo de la máquina, tiene que ser correcta la cantidad de aceite en la unidad de impulsos. Debido a las posibles microfugas de aceite en la unidad de impulsos, puede ser necesario rellenar la unidad entre los intervalos regulares de servicio. La frecuencia de esta operación depende del tipo de aplicación, número de ciclos, tiempo de apriete, etc. Llenando la unidad de impulsos con precisión, se podrán mantener intervalos más largos entre llenados.

Demasiado aceite en la unidad de impulsos significa baja frecuencia de impulsos y aprietes lentos.

Demasiado poco aceite en la unidad de impulsos implica alta frecuencia de impulsos y una reducción del par de apriete. Especialmente en los primeros aprietes después de una pausa, la máquina puede embalsarse.

Usar aceite : 22 cST / 40 o C (ISO VG22).

Si la máquina se utiliza con demasiado poco aceite, pueden provocarse daños a la unidad de impulsos.

Después de rellenar, compruebe el par de apriete.

Protección contra el óxido y limpieza interna

El agua en el aire comprimido, el polvo y las partículas de desgaste producen óxido, agarrotamiento de las aletas, válvulas, etc. Se debe instalar un filtro de aire cerca de la máquina (ver "Calidad del aire"). Antes de largos periodos sin usarla, limpiar con aceite (unas gotas) por la entrada de aire, hacer funcionar la máquina durante 5 a 10 segundos, absorbiendo al mismo tiempo el aceite con un trapo.

Instrucciones de servicio

Se recomienda hacer revisiones periódicas y mantenimiento preventivo a intervalos regulares, una vez al año o tras 250.000 aprietes, lo que suceda primero. Pueden ser necesarias revisiones más frecuentes, en particular el cambio de aceite de la unidad de impulsos, si la máquina se utiliza con un par de apriete elevado y largos tiempos de apriete. Si la máquina no funciona correctamente, debe ser llevada inmediatamente a inspección.

El filtro situado en la entrada de aire y el silenciador del escape deben limpiarse con frecuencia o ser sustituidos a fin de impedir el agarrotamiento que disminuye la capacidad.

Durante las revisiones, todas las piezas deben limpiarse con precisión y las piezas defectuosas o desgastadas (por ejemplo, juntas tóricas, aletas) deben sustituirse.

- ⓘ Todas las juntas tóricas deben engrasarse antes del montaje, en particular las juntas tóricas de la unidad de impulsos.

Es importante apretar debidamente las conexiones roscadas de la máquina, es decir, según las especificaciones en los despieces.

Montaje y desmontaje

Es de suma importancia que las conexiones de rosca de la herramienta se aprieten correctamente, es decir, de acuerdo con las especificaciones de los diagramas de composición.

Limpieza

Limpie detenidamente todas las piezas con aguarrás o un agente limpiador similar. Para evitar los atascos y la pérdida de potencia, limpie el filtro (si usa uno) y el filtro de escape entre servicios de mantenimiento.

Inspección

Tras la limpieza, inspeccione todas las piezas y cambie todas las piezas dañadas o desgastadas.

Lubricación

Lubrique sobre todos los engranes, la válvula y el embrague con una grasa que contenga bisulfuro de molibdeno (por ejemplo Molykote BR2 Plus). Véanse los diagramas de composición y las figuras de la sección de Instrucciones de servicio.

Antes de montarlas, lubrique las juntas tóricas y las conexiones roscadas con grasa.

Guía de engrase

Marca	Objetivo general Cojinetes	Motor eje	Lubricación del aire
BP	Energrease LS-EP2		Energol E46
Castrol	Speherol EP L2		
Esso	Beacon EP2		Arox EP46
Q8	Rembrandt EP2		Chopin 46
Mobil	Mobilegrease XHP 222		Almo oil 525
Shell	Alvania EP2		Tonna R32
Texaco	Multifak EP2		Aries 32
Molykote		BR2 Plus	
Lubrica- ting Engi- neers		Almagard- 3752	

Recambios

Por razones técnicas, las piezas sin referencia no se suministran por separado, al igual que las piezas incluidas en los kits de servicio.

El uso de piezas de recambio distintas a las piezas originales Desoutter puede hacer que disminuya el rendimiento de la herramienta, aumentar la necesidad de mantenimiento y, a discreción de la empresa, invalidar todas las garantías.

Datos técnicos

Velocidad nominal y rango de par

Velocidad nominal (Rpm)	2800
Rango de par (Nm)	160-240

Ruidos y vibraciones


Ruidos medidos según EN ISO 15744	dB(A)
Nivel de presión sonora medido	81
Nivel de energía sonora medido	
Distribución en método y producción	3

Vibraciones medidas según ISO 8662-7	m/s ²
Valor de vibraciones medido	5.7
Distribución en método y producción	1.6

Declaración de valores de ruido y vibración

A nosotros, **Desoutter**, no se nos puede considerar responsables de las consecuencias de usar los valores declarados, en vez de los valores que reflejen la exposición real, en la evaluación de los riesgos potenciales de un puesto de trabajo sobre el que no tenemos control.

Todos los valores son correctos en el momento de la publicación. Para conocer la última información, visite www.desoutter-tools.com. Estos valores declarados se obtuvieron en pruebas de laboratorio en cumplimiento con las normas establecidas y no son adecuados para utilizarse en evaluaciones de riesgos. Los valores medidos en lugares de trabajo individuales podrían ser más altos que los valores declarados. Los valores de exposición reales y el riesgo de peligro experimentado por un usuario individual son únicos y dependen del hábito de trabajo del usuario, la pieza en la que se está trabajando y el diseño de la estación de trabajo, además del tiempo de exposición y las condiciones físicas del usuario.

Part no	2050505743	
Issue no	3	
Series no	C	
Date	2015-03	
Page	16	

Nosotros, Desoutter, no podemos aceptar responsabilidad por las consecuencias de utilizar los valores declarados en lugar de los valores que reflejan la exposición real en una evaluación de riesgo individual y en una situación de lugar de trabajo sobre los que no tenemos ningún control. Esta herramienta puede provocar síndrome de vibración. Si no se gestiona adecuadamente su utilización. Encontrará una guía de la UE respecto a la gestión de vibraciones transmitidas al sistema manobrazo en la página <http://www.human-vibration.com/EU/VIBGUIDE.htm> Se recomienda mantener un programa de control sanitario de detección precoz de los síntomas relacionados con la exposición a vibraciones, con objeto de modificar los procedimientos de gestión y así evitar posibles discapacidades.

Garantía de Desoutter

- 1) Este producto Desoutter está garantizado contra defectos de material o de mano de obra durante un periodo máximo de 12 meses a partir de la fecha de compra a Desoutter o a sus agentes siempre que, durante ese periodo, su uso se limite a operaciones en turnos únicos. Si su uso es superior al de un único turno, el periodo de garantía se reducirá utilizando un prorrateo.
- 2) Si, durante el periodo de garantía, el producto sufre defectos debidos a los materiales o a la mano de obra, debe devolverse a Desoutter o a sus agentes acompañado de una breve descripción del defecto alegado. Desoutter podrá, a su sola discreción, gestionar la reparación o sustituir de forma gratuita dichos artículos averiados por causa de los defectos en los materiales o en la mano de obra.
- 3) Esta garantía perderá su validez en caso de que los productos hayan sido utilizados de forma abusiva o incorrecta o modificados, así como aquellos productos reparados sin utilizar repuestos originales Desoutter o que hayan sido reparados por un tercero ajeno a Desoutter o a sus agentes de servicio autorizados.
- 4) Si Desoutter incurre en gastos a la hora de corregir defectos provocados por un uso abusivo o incorrecto, daños accidentales o modificaciones no autorizadas, dichos gastos deberán ser reembolsados en su totalidad.
- 5) Desoutter no acepta reclamación alguna por el trabajo u otros gastos realizados en productos defectuosos.
- 6) Todos los daños directos, indirectos o consecuentes que cualquier defecto pudiera causar quedan expresamente excluidos.
- 7) Esta garantía se proporciona en lugar de el resto de las garantías u condiciones, explícitas o implícitas, como la calidad, comerciabilidad o idoneidad para cualquier finalidad particular.
- 8) Nadie, ya sea agente, proveedor o empleado de Desoutter, está autorizado a añadir o modificar en forma alguna las condiciones de esta garantía limitada.



Copyright

© Copyright 2013, Desoutter HP2 7SJ UK. Todos os direitos reservados. Qualquer uso ou cópia sem autorização do conteúdo ou parte dele é proibido. Isso se aplica em particular a marcas de comércio, denominações de modelo, números de peça e desenhos. Use somente peças autorizadas. Qualquer dano ou defeito causado pelo uso de peças não autorizadas não é coberto pela Garantia ou pela Responsabilidade pelo Produto.

Declaração de utilização

Este produto foi concebido para instalar e remover fi xadores de rosca em madeira, metal e plástico. Não é permitido outro tipo de utilização. Apenas para utilização profissional. O uso de outras peças sobressalentes/acessórios que não aqueles inicialmente fornecidos pelo fabricante, pode resultar numa diminuição do desempenho e/ou necessidade acrescida de manutenção/ nível de ruído / vibrações, e consequentemente, no total cancelamento da responsabilidade do fabricante.

Instalação

Qualidade do ar

- Para um desempenho óptimo e um tempo de vida útil da máquina o mais longo possível, recomendamos a utilização de ar comprimido com um ponto de orvalho entre +2°C e +10°C. Recomenda-se a instalação de um secador de ar de refrigeração.
- A utilização de um filtro de ar separado permite a remoção de partículas sólidas maiores do que 30 microns e mais de 90% de água líquida, quando instalado o mais perto possível da máquina e antes de qualquer outra unidade de preparação de ar. Faça passar o sopro de ar pela mangueira antes de a ligar.
- O ar comprimido deve conter uma pequena quantidade de óleo. Recomendamos vivamente que instale um lubrificador de névoa de óleo, normalmente ajustado a 3-4 gotas (50 mm³)/m³ de consumo de ar para um longo ciclo de funcionamento da ferramenta, ou um lubrificador de ponto único para ciclos curtos de funcionamento da ferramenta.
- Relativamente às ferramentas sem lubrificação, por opção do cliente, não é desvantajoso se o ar comprimido contiver uma pequena quantidade de óleo fornecido por um lubrificador. Uma excepção são as ferramentas com turbina que devem ser mantidas sem óleo. (consulte Acessórios de Linha de Ar no catálogo principal).

Conexão de ar comprimido

- A máquina foi concebida para uma pressão de trabalho (e) de 6 – 7 = 600 – 700 kPa = 6–7 kg/cm².
- Soplar aire por la manguera antes de conectarla.

Manuseio

Regulação do binário de aperto

- ⓘ O parafuso de ajuste é acessível através do orifício da cobertura. Se for necessário rode o veio saliente.

Depois do ajuste, não se esqueça de montar a bucha do orifício da cobertura.

Recomendamos que inicie na posição mínima – quando o parafuso de ajuste está desaparafusado cerca de 6 voltas do fundo. Não desaparafuse mais.

Verifique sempre o binário de aperto na junta usada, após um ajuste.

Método de teste - Estático ou Dinâmico

Para as máquinas de percussão recomenda-se a medição do binário por método estático.

Se for usada uma medição dinâmica do binário com um transdutor electrónico de binário, verifique sempre o resultado através de medição estática com uma chave dinamométrica (electrónica).

ATENÇÃO



NUNCA LIGUE UMA FERRAMENTA PARCIALMENTE MONTADA À ALIMENTAÇÃO DE AR. AS LÂMINAS DO ROTOR DESTA FERRAMENTA CONTÉM PTFE. DEVEM SER OBSERVADAS TODAS AS RECOMENDAÇÕES NORMAIS DE SAÚDE E SEGURANÇA RELATIVAS A PTFE AO MANUSEAR ESTAS LÂMINAS DE ROTOR.

- NÃO FUME.
- OS COMPONENTES DO MOTOR DEVEM SER LAVADOS COM UM LÍQUIDO DE LIMPEZA, NÃO DEVEM SER LIMPOS COM JACTO DE AR.
- O SILENCIADOR DEVE SER SUBSTITUÍDO QUANDO ESTIVER SUJO. NÃO LIMPE E VOLTE A UTILIZAR.
- LAVE AS MÃOS ANTES DE INICIAR QUALQUER OUTRA ACTIVIDADE.

Manutenção

- Todos os valores de binário $\pm 10\%$.
- Ao descartar componentes, lubrificantes etc., certifique-se de que os procedimentos de segurança relevantes são observados.
- O revestimento deve ser limpo com um desengordurante neutro multiusos.

Para obter o máximo desempenho

Em condições duras de trabalho - juntas macias e regulação máxima - recomenda-se lubrificação do ar.

O ar extremamente seco pode reduzir a vida útil das palhetas e a potência da máquina. A adição diária de 0,1 - 0,2 ml de óleo na entrada da máquina irá melhorar o desempenho da máquina. Com uma definição de juntas rígidas e baixo binário de aperto, uma velocidade livre reduzida através da válvula Trim irá proporcionar uma maior precisão. Como alternativa, considere a montagem de um dispositivo de lubrificação automático, um lubrificador de névoa de óleo, ou um lubrificador de ponto único, o que melhorará o desempenho da máquina.

Repor o óleo da unidade de impulso

Para obter o máximo rendimento da máquina, a unidade de impulso tem que conter a quantidade certa de óleo. Devido a fugas mínimas de óleo na unidade de impulso, pode ser necessário repor o óleo na unidade entre os intervalos de manutenção normais. A frequência com que este procedimento tem que ser efectuado, depende do tipo de aplicação, do número de ciclos, tempo de aperto etc. O reposição exacta de óleo da unidade de impulsos proporciona longos intervalos de manutenção.

Demasiado óleo na unidade de impulso implica uma baixa frequência de impulso e apertos lentos.

Uma quantidade insuficiente de óleo na unidade de impulso implica uma elevada frequência de impulso, havendo o risco de



reduzir o binário de aperto. Especialmente nos primeiros apertos após uma pausa, a máquina pode acelerar.

Use óleo hidráulico : 22 cST / 40 °C (ISO VG22).

Se a máquina funcionar com pouco óleo, a unidade de impulso pode sofrer danos.

Após repor o óleo - Verificar o binário de aperto, fig. X.

Protecção anti-ferrugem e limpeza interna

Água no ar comprimido, poeira e partículas de desgaste podem causar ferrugem e irregularidades nas palhetas, válvulas etc. Deve-se instalar um filtro de ar perto da máquina (ver "Qualidade do ar"). Antes de paragens mais prolongadas, ponha óleo (algumas gotas) na entrada do ar, ponha a máquina a funcionar durante 5 a 10 segundos e absorva o óleo com um pano.

Instruções de manutenção

Recomenda-se que sejam efectuadas revisões e manutenção preventiva a intervalos regulares, uma vez por ano ou após um máximo de 250.000 apertos, conforme o que ocorrer primeiro. Pode ser necessário efectuar a manutenção com mais frequência, especialmente a mudança de óleo da unidade de impulso, se for usado com binário alto e tempos de aperto longos. Se a máquina não estiver a funcionar correctamente, deverá ser retirada imediatamente de serviço para inspecção.

O crivo de entrada de ar e o silenciador do tubo de escape devem ser limpos com frequência ou substituídos, a fim de evitar a sua obstrução, o que reduz a capacidade de trabalho.

Durante as revisões, todas as peças devem ser limpas cuidadosamente e as defeituosas ou gastas (como anilhas tóricas e palhetas) devem ser substituídas.

- ⓘ Todas as anilhas tóricas devem ser lubrificadas antes de ser montadas; isto é especialmente importante para as anilhas tóricas da unidade de impulso.

Desmontagem /montagem

É importante que as ligações roscadas da máquina sejam apertadas adequadamente, ou seja, de acordo com as especificações nas imagens destacadas.

Limpeza

Limpe muito bem todas as peças com diluente ou com um agente de limpeza idêntico. Para evitar efeitos de sujidade e diminuição da potência, pode ser necessário limpar o filtro de rede (se utilizado) e o filtro de escape entre as revisões.

Inspecção

Após a limpeza, inspecione todas as peças. As peças danificadas ou desgastadas devem ser substituídas.

Lubrificação

Lubrique especialmente as engrenagens, a válvula e a embraiagem com massa lubrificante contendo bisulfureto de molibdénio (por exemplo Molykote BR2 Plus). Consulte as imagens destacadas e a fig. nas instruções de Manutenção.

Lubrique as anilhas vedantes e as ligações roscadas com massa lubrificante antes da montagem.

Guia de massa lubrificante

Marca	Propósito geral Rolamentos	Motor veio	Lubrificação do ar
BP	Energrease LS-EP2		Energol E46
Castrol	Spheerol EP L2		
Esso	Beacon EP2		Arox EP46
Q8	Rembrandt EP2		Chopin 46
Mobil	Mobilegrease XHP 222		Almo oil 525
Shell	Alvania EP2		Tonna R32
Texaco	Multifak EP2		Aries 32
Molykote		BR2 Plus	
Lubricating Engineers		Almagard-3752	

Peças sobressalentes

As peças sem número de pedido, assim como as peças incluídas nos kits de Manutenção, não são, por razões técnicas, entregues separadamente.

O uso de outras peças que não sejam as genuínas Desoutter pode acabar reduzindo o desempenho da ferramenta e aumentando sua manutenção, podendo ainda, a critério da empresa, invalidar todas as garantias.

Dados técnicos

Velocidade nominal e faixa de torque

Velocidade nominal (rpm)	2800
Faixa de torque (Nm)	160-240

Ruído e vibração

Nível de ruído de acordo com a norma padrão EN ISO 15744	
	dB(A)
Nível de ruído medido	81
Nível determinado da potência de ruído	
Propagação em método e produção	3

Vibrações medidas de acordo com a norma padrão EN ISO 8662-7	
	m/s ²
Valor determinado de vibração	5.7
Propagação em método e produção	1.6

Declaração do nível de ruído e vibrações

Os valores declarados foram testados em laboratório de acordo com os standards e não estão adequados para o uso de determinados riscos. Medição de valores em local de trabalho individual talvez sejam maiores do que os valores declarados. O valor exposto e risco de dano por um utilizador é único e depende da sua utilização, peça e local de trabalho, assim como de intempéries e condições físicas do utilizador.

Nós, **Desoutter**, não poderemos ser responsáveis pelos valores expostos num determinado local de trabalho onde não temos controlo.

Garantia Desoutter

- 1) Este produto Desoutter é garantido contra defeitos de fabricação ou de materiais, por um período máximo de 12 meses após a data de compra diretamente da Desoutter ou seus agentes, desde que seu uso seja limitado a uma operação única de mudança ao longo desse período. Se a taxa de utilização excede o de operação única de mudança, o período de garantia será reduzido em uma base pro rata.
- 2) Se, durante o período de garantia, o produto parece conter um defeito de fabricação ou material, ele deve ser devolvido à Desoutter ou seus agentes, juntamente com uma breve descrição do suposto defeito. A Desoutter deverá, a seu exclusivo critério, providenciar a reparação ou substituição gratuita, tais itens sejam considerados defeituosos por motivo de fabricação ou materiais defeituosos.
- 3) Esta garantia deixa de ser aplicável a produtos que foram abusados, mal utilizados ou modificados, ou que tenham sido reparados com peças que não as originais Desoutter ou por alguém que não seja um dos agentes de serviços autorizados Desoutter.
- 4) Se Desoutter incorrer em qualquer despesa ao corrigir um defeito resultante de abuso, mau uso, danos acidentais ou modificação não autorizada, ela irá exigir que essa despesa será custeada integralmente.
- 5) A Desoutter não aceita nenhuma reivindicação de serviço ou outras despesas realizadas em produtos com defeito.
- 6) Quaisquer danos diretos, incidentais ou consequenciais resultantes de qualquer defeito estão expressamente excluídos.
- 7) Esta garantia é fornecida no lugar de todas as outras garantias ou condições, expressas ou implícitas, quanto à qualidade, comercialização ou adequação para qualquer finalidade específica.
- 8) Ninguém, seja um agente, prestador de serviço ou funcionário da Desoutter, está autorizado a acrescentar ou modificar os termos desta garantia limitada de qualquer maneira.



Copyright

© Copyright 2013, Desoutter HP2 7SJ UK. Tutti i diritti riservati. Qualsiasi utilizzo o copia non autorizzati dei contenuti o di parte di questi è vietato. Questo vale in particolare per i marchi registrati, le denominazioni dei modelli, i codici e i disegni. Utilizzare solo componenti autorizzati. Un eventuale danneggiamento o difetto di funzionamento causato dall'utilizzo di componenti non autorizzati non è coperto dalla garanzia o dalla responsabilità per danno da prodotti difettosi.

Dichiarazione d'uso

Questo prodotto è progettato per l'installazione e la rimozione di viti in legno, metallo e plastica. È vietato qualsiasi altro impiego. Solo per uso professionale. L'utilizzo di parti/accessori di ricambio diversi da quelli forniti inizialmente dal produttore potrebbe dar luogo a un degrado delle prestazioni e/o all'aumento di interventi di manutenzione /livello di rumorosità /vibrazioni provocando, come risultato, l'annullamento di ogni responsabilità da parte del produttore.

Installazione

Qualità dell'aria

- Per ottenere le massime prestazioni e durata della macchina, utilizzare aria compressa con punto di rugiada compreso tra +2°C e +10°C. Si raccomanda l'installazione di un essicatore-refrigeratore d'aria.
- Utilizzare un filtro dell'aria separato che rimuova i corpi solidi di grandezza superiore a 30 micron e oltre il 90% dell'acqua, installandolo il più vicino possibile alla macchina e a monte di qualsiasi altra unità di trattamento dell'aria. Pulire il flessibile prima di collegarlo.
- L'aria compressa deve contenere una piccola quantità d'olio. Si raccomanda di installare un lubrificatore a nebbia d'olio, generalmente impostato su 3-4 gocce (consumo d'aria 50 mm³/m³), per cicli di funzionamento prolungati oppure un lubrificatore monopunto per brevi cicli di funzionamento.
- Negli attrezzi che non necessitano di lubrificazione, la piccola quantità d'olio nell'aria compressa, fornita da un lubrificatore, non comporta alcun problema. Un'eccezione è rappresentata dagli attrezzi a turbina, che devono essere mantenuti privi d'olio. (vedere Accessori per il trattamento dell'aria nel nostro catalogo principale).

Connessione dell'aria compressa

- L'utensile è stato progettato per una pressione di esercizio massima (e) di 6–7 bar = 600–700 kPa = 6–7 kp/cm².
- Prima di collegare il flessibile, pulirlo con aria.

Uso

Impostazione della coppia di serraggio

- ① La vite di regolazione è accessibile attraverso il foro nell'alloggiamento. Se necessario, ruotare l'albero sporgente.

Dopo la regolazione, non dimenticare di montare il tappo del foro nell'alloggiamento.

Si raccomanda di avviare l'utensile alla coppia minima, cioè quando la vite di regolazione è a circa 7 giri dalla posizione di massimo serraggio. Non svitare di oltre.

Controllare sempre la regolazione sul giunto effettivo.

Metodo di prova - statico o dinamico

Per le macchine Pulse Tool si raccomanda la misurazione statica della coppia.

In caso di misurazione dinamica della coppia con un trasduttore di coppia elettronico in linea, verificare sempre il risultato di misurazione mediante un controllo statico con chiave dinamometrica (elettronica).

ATTENZIONE



NON COLLEGARE MAI L'ALIMENTAZIONE DELL'ARIA ALL'UTENSILE SE È MONTATO SOLO IN PARTE. LE PALETTE DEL ROTORE CONTENGONO PTFE. OSSERVATE LE NORME DI SICUREZZA CHE RIGUARDANO LO SMALTIMENTO DI QUESTO MATERIALE.

- NON FUMARE.
- LAVARE I COMPONENTI CON UN FLUIDO ADATTO E NON CON UN GETTO D'ARIA.
- SOSTITUIRE I SILENZIATORI ESAUSTI E NON PULIRLI PER RIUTILIZZARLI.
- LAVARSI ACCURATAMENTE LE MANI DOPO LA MANUTENZIONE DEGLI UTENSILI.

Manutenzione

- Tutti i valori di coppia ±10%.
- Osservare le procedure di smaltimento dei pezzi usurati e dei lubrificanti esausti.
- Pulire l'esterno dell'impugnatura con uno sgrassante per pulizia non aggressivo.

Per ottenere le massime prestazioni

In caso di condizioni di lavoro estreme - giunti morbidi ed impostazione max. - si raccomanda di lubrificare l'aria compressa.

L'aria compressa eccessivamente secca può ridurre la durata di palette ed attrezzo. Alimentando quotidianamente 0,1-0,2 ml d'olio nella macchina o utilizzando un lubrificatore automatico a nebbia d'olio oppure un singolo lubrificatore, è possibile ottimizzare le prestazioni della macchina.

Rabboccare l'unità ad impulsi con olio

Per ottenere le massime prestazioni, l'unità ad impulsi deve essere riempita correttamente d'olio. In seguito ad eventuali microperdite d'olio dall'unità ad impulsi può essere necessario rabboccare l'unità in occasione degli interventi di revisione periodici. L'intervallo di rabbocco dipende dal tipo di applicazione, dal numero di cicli, dal tempo di serraggio, ecc. Il rabbocco preciso dell'unità ad impulsi permette di prolungare gli intervalli di manutenzione.

Una quantità eccessiva d'olio nell'unità ad impulsi provoca una bassa frequenza di impulso e lenti serraggi.

Una quantità insufficiente d'olio nell'unità ad impulsi provoca un'alta frequenza di impulso ed il rischio di diminuzione della coppia di serraggio. In particolare, tale evenienza si può verificare durante i primi serraggi dopo la rottura della macchina.

Olio idraulico: 22 cST / 40°C (ISO VG22).

Il funzionamento della macchina con una quantità d'olio insufficiente può provocare danni all'unità ad impulsi.

Dopo il rabbocco, controllare la coppia di serraggio.

Protezione antiruggine e pulizia interna


Acqua, polvere e particelle di usura nell'aria compressa possono provocare l'ossidazione ed il grippaggio di palette, valvole, ecc. In prossimità della macchina deve essere installato un filtro dell'aria (vedere 'Qualità dell'aria'). Prima di periodi di inutilizzo prolungati, inserire alcune gocce d'olio nell'entrata dell'aria, far funzionare la macchina per 5-10 secondi ed assorbire l'olio con un panno.

Istruzioni per la manutenzione

La revisione e la manutenzione preventiva devono essere effettuate ad intervalli regolari almeno una volta all'anno oppure dopo un massimo di 250.000 serraggi, a seconda della scadenza che si presenta per prima. Qualora la macchina sia utilizzata con coppie elevate e lunghi tempi di serraggio può essere necessario revisionarla più frequentemente, ed in particolare cambiare l'olio nell'unità ad impulsi. Se non funziona correttamente, la macchina deve essere controllata immediatamente.

Il filtro a reticella dell'ingresso dell'aria e il filtro di scarico devono essere puliti frequentemente o sostituiti per evitarne l'intasamento, che porterebbe ad una diminuzione delle prestazioni della macchina.

In sede di revisione, pulire a fondo tutte le parti e sostituire le parti danneggiate o usurate (ad esempio O-ring, palette).

 Ingrassare tutti gli O-ring prima del montaggio, in particolare quelli nell'unità ad impulsi.

Montaje y desmontaje

Es de suma importancia que las conexiones de rosca de la herramienta se aprieten correctamente, es decir, de acuerdo con las especificaciones de los diagramas de composición.

Limpieza

Limpie detenidamente todas las piezas con aguarrás o un agente limpiador similar. Para evitar los atascos y la pérdida de potencia, limpie el filtro (si usa uno) y el filtro de escape entre servicios de mantenimiento.

Inspección

Tras la limpieza, inspeccione todas las piezas y cambie todas las piezas dañadas o desgastadas.

Lubricación

Lubrique sobre todos los engranes, la válvula y el embrague con una grasa que contenga bisulfuro de molibdeno (por ejemplo Molykote BR2 Plus). Véanse los diagramas de composición y las figuras de la sección de Instrucciones de servicio.

Antes de montarlas, lubrique las juntas tóricas y las conexiones roscadas con grasa.

Guida alla scelta del grasso

Marca	Universale Cusinetti	Motor asse	Lubrificazione dell'aria
BP	Energrease LS-EP2		Energol E46
Castrol	Spheerol EP L2		
Esso	Beacon EP2		Arox EP46
Q8	Rembrandt EP2		Chopin 46
Mobil	Mobilegrease XHP 222		Almo oil 525
Shell	Alvania EP2		Tonna R32
Texaco	Multifak EP2		Aries 32
Molykote		BR2 Plus	
Lubricating Engineers		Almagard-3752	

Ricambi

Per motivi tecnici, i ricambi senza numero di ordinazione non vengono spediti separatamente come i ricambi inclusi nei kit di assistenza.

L'uso di parti di ricambio diverse da quelle originali Desoutter può causare una ridotta prestazione degli utensili e un aumento della manutenzione e può, a discrezione della società, invalidare tutte le garanzie.

Dati tecnici

Velocità nominale e intervallo di coppia

Velocità nominale (g-m)	2800
Intervallo di coppia (Nm)	160-240

Rumore e di vibrazioni

Emissione sonora misurati in conformità EN ISO 15744	
	dB(A)
Livello di pressione sonora misurato	81
Livello di energia sonora determinato	
Distribuzione in metodo e produzione	3

Emissione di vibrazione misurati in conformità a ISO 8662-7	
	m/s ²
Valore delle vibrazioni misurato	5.7
Distribuzione in metodo e produzione	1.6

Dichiarazione relativa al rumore e alle vibrazioni

Tutti i valori sono vigenti alla data della presente pubblicazione. Per informazioni più recenti, visitare www.desouttertools.com. I valori dichiarati sono stati ottenuti da test eseguiti in laboratorio in conformità con le norme stabilite e non sono adeguati per l'uso nella valutazione dei rischi. I valori rilevati in determinati luoghi lavorativi possono essere superiori ai valori dichiarati. I valori di esposizione reali e il rischio di pericolo a cui il singolo utente è soggetto sono esclusivi e dipendono dal modo in cui la persona lavora, dal pezzo in lavorazione e dalla struttura dell'area di lavoro, nonché dai tempi di esposizione e dalle condizioni fisiche dell'utente. Noi, Desoutter, non possiamo essere ritenuti responsabili per le conseguenze derivanti dall'uso dei valori dichiarati, anziché di valori che riflettono l'esposizione effettiva, nella specifica valutazione di eventuali rischi in un luogo lavorativo su cui non abbiamo alcun controllo. Se non utilizzato in modo



Part no	2050505743
Issue no	3
Series no	C
Date	2015-03
Page	23

idoneo, questo utensile può provocare la sindrome da vibrazioni manobraccio. Per una guida UE sulla gestione delle vibrazioni mano-braccio, consultare l'indirizzo internet <http://www.humanvibration.com/EU/VIBGUIDE.htm> Si raccomanda l'adozione di un programma di controllo sanitario finalizzato a individuare i primi sintomi di un'eventuale esposizione alle vibrazioni, affinché sia possibile modificare le procedure di gestione e aiutare a prevenire disabilità significative.

Garanzia Desoutter

- 1) Questo prodotto Desoutter è garantito esente da difetti di materiali o manodopera, per un periodo massimo di 12 mesi dalla data di acquisto da Desoutter o dai relativi rappresentanti, a condizione che il l'utilizzo del prodotto sia limitato su un unico turno per tutto il periodo. Se la frequenza di utilizzo supera quella di funzionamento su un turno, il periodo di garanzia verrà ridotto in proporzione.
- 2) Se, durante il periodo di garanzia, il prodotto presenta difetti di materiali o manodopera, restituirlo a Desoutter o ai relativi rappresentanti, unitamente a una breve descrizione del difetto riscontrato. Desoutter provvederà, a sua esclusiva discrezione, a riparare o a sostituire gratuitamente quei prodotti che riterrà difettosi a causa di difetti di materiali o manodopera.
- 3) La presente garanzia decade se i prodotti sono stati oggetto di uso eccessivo, improprio o se sono stati modificati o riparati utilizzando ricambi non originali Desoutter, oppure se la manutenzione non è stata eseguita da un tecnico autorizzato Desoutter.
- 4) Nel caso in cui Desoutter incorra in spese di riparazione per un difetto derivante da uso improprio, negligenza, danno accidentale o manomissione, tali spese dovranno essere rimborsate per intero.
- 5) Desoutter declina eventuali richieste di risarcimento per manodopera o altre spese sostenute su prodotti difettosi.
- 6) Eventuali danni diretti, accidentali o conseguenti derivanti da qualsivoglia difetto sono esclusi espressamente.
- 7) La presente garanzia inficia eventuali altre garanzie o condizioni, esplicite o implicite, relativamente alla qualità, commerciabilità o idoneità per uno scopo particolare.
- 8) Nessuna parte, in qualità di rivenditore, dipendente o impiegato di Desoutter, è autorizzata ad apportare aggiunte o modifiche ai termini della presente garanzia limitata in alcun modo.

Copyright

© Copyright 2013, Desoutter HP2 7SJ UK. Alle rechten voorbehouden. Onrechtmatig gebruik of het kopiëren van de inhoud of een deel hiervan is verboden. Dit is met name van toepassing op handelsmerken, modelnamen, onderdeelnummers en tekeningen. Gebruik uitsluitend goedgekeurde onderdelen. Schade of defecten als gevolg van het gebruik van onderdelen van derden vallen niet onder de garantie.

Gebruiksverklaring

Dit product is ontwikkeld voor het installeren en verwijderen van schroeven in hout, metaal en plastic. Andere toepassingen zijn niet toegestaan. Alleen voor professioneel gebruik. Het gebruik van onderdelen/accessoires anders dan origineel geleverd door de leverancier kan resulteren in een prestatieverlies en/of meer onderhoud/hoger geluidsniveau/trillingen en als gevolg daarvan een volledige annulering van de aansprakelijkheid van de fabrikant.

Installatie

Luchtkwaliteit

- Voor optimale prestaties en een maximale levensduur van de machine raden wij het gebruik van perslucht met een dauwpunt tussen +2°C en +10°C aan. De installatie van een luchtdroger van koelingtype wordt aanbevolen.
- Gebruik een afzonderlijk luchtfilter Dit verwijdert vaste deeltjes groter dan 30 micron en meer dan 90% van vloeibaar water. Monteer dit zo dicht mogelijk bij de machine, vóór enige andere unit voor het prepareren van lucht. Blaas de slang uit alvorens deze aan te sluiten.
- De perslucht moet een kleine hoeveelheid olie bevatten. Wij raden u sterk aan een olienevelaar, die normaliter op 3-4 druppels (50 mm³)/m³ luchtverbruik voor gereedschappen met lange draaicycli is ingesteld, of een eenpuntssmeertoestel voor gereedschappen met korte draaicycli te installeren.
- Betreffende smeringsvrije gereedschappen is het, ter keuze van de klant, niet ongunstig wanneer de perslucht een kleine hoeveelheid olie als geleverd vanuit een smeertoestel bevat. Een uitzondering wordt gevormd door turbinegereedschappen, die vrij van olie moeten blijven. (zie a.u.b. Luchtleidingsaccessoires in onze hoofdcatalogus).

Persluchtaansluiting

- Het gereedschap is ontworpen voor een bedrijfsdruk (e) van 6 – 7 bar = 600 – 700 kPa = 6 – 7 kg/cm².
- Blaas de slang uit alvorens hem aan te sluiten.

Bediening

Instelling van het aandraaikoppel

- ⓘ De stelschroef toegankelijk is via het gat in het huis. Indien nodig, aan de uitgaande spindel draaien.

Vergeet na de montage niet de plug in het gat van het huis te monteren.

Het is aan te bevelen te beginnen met de laagste koppelinstelling - d.w.z. als de regelschroef ongeveer 6 toeren is uitgedraaid vanaf de onderste stand. Draai de schroef niet meer.

Controleer altijd de instelling op de schroefverbinding die u momenteel aan het uitvoeren bent.

Testmethode - Statisch of dynamisch

Voor de Pulse Tool-machines is een statische koppelmetering aanbevolen.

Als een dynamische koppelmetering met behulp van een elektronische in-line-koppelmetering wordt gebruikt, controleer dan altijd uw meetresultaat via een statische controle met behulp van een (elektronische) momentsleutel.

WAARSCHUWING

SLUIT EEN ONVOLLEDIG GEMONTEERD APPARAAT NOOIT OP DE PERSLUCHTVOEDING AAN. DE ROTORSCHOEPEN IN DIT GEREEDSCHAP BEVATTEN PTFE. NEEM DE GANGBARE GEZONDHEIDS- EN VEILIGHEIDSVORSCHRIFTEN M.B.T. PTFE IN ACHT TIJDENS DE BEHANDELING VAN DEZE ROTORSCHOEPEN.



- NIET ROKEN.
- REINIG DE MOTORCOMPONENTEN MET REINIGINGSVLOEISTOF; ZE MOGEN NIET MET DRUKLUCHT SCHOONGEBLAZEN WORDEN.
- VERVANG DE GELUIDSDEMPER WANNEER HIJ SMERIG IS. GELUIDSDEMPER NIET REINIGEN EN WEER GEBRUIKEN.
- WAS UW HANDEN VOORDAT ANDERE WERKZAAMHEDEN UITGEVOERD WORDEN.

Onderhoud

- Alle aanhaalkoppels zijn ±10 %.
- Neem de desbetreffende veiligheidsvoorschriften in acht wanneer onderdelen, smeermiddelen, enz. worden weggegooid.
- Wrijf de draaiklem rond het handvat schoon met een algemene, niet bijtende ontvetter.

Voor maximale prestaties

Bij zware werkvoorwaarden - zachte verbindingen en maximale instelling - is het aan te bevelen de lucht te smeren.

Bij extreem droge lucht kunnen de levensduur van de schoepen en het vermogen van het gereedschap verminderen. Voer dagelijks 0,1 - 0,2 ml olie toe in de machine-inlaat of overweeg een automatisch smeertoestel, olie-nevelaar of een eenpuntssmeertoestel, dat de machineprestaties zal verbeteren.

Vul de pulseenheid met olie

Voor optimale prestaties van de machine moet de pulseenheid met de juiste hoeveelheid olie worden gevuld. Wegens een mogelijke microlekkage van de olie uit de pulseenheid zou het nodig kunnen zijn de eenheid tussen de regelmatige onderhoudsbeurten bij te vullen. De frequentie van deze procedure hangt af van het type toepassing, het aantal cycli, de aandraaitijd enz. Een juist bijvullen van de pulseenheid zorgt nl. voor grotere service-intervallen.

Te veel olie in de pulseenheid heeft een lage puls frequentie en trage aandraai bewerkingen tot gevolg.


Te weinig olie in de pulseenheid levert een hoge puls frequentie op en er is een risico van een verminderd aandraaikoppel. Meer bepaald kan de machine bij de eerste aandraai bewerkingen na een pauze op hol slaan.

Gebruik hydraulische olie : 22 cST / 40°C (ISO VG22).

De machine een tijd laten lopen met te weinig olie kan de pulseenheid beschadigen.

Controleer het aandraaikoppel na het bijvullen.



Part no	2050505743	
Issue no	3	
Series no	C	
Date	2015-03	
Page	26	

Bescherming tegen roest en reiniging van het inwendige van de machine

Water in de perslucht, stof en afgesleten deeltjes veroorzaken roest en het vastkleven van schoepen, kleppen enz. Breng zo dicht mogelijk bij de machine een luchtfilter aan (zie "Luchtkwaliteit"). Voor langere stilstanden van de machine dient u ze met (enkele druppels) olie door te spoelen via de luchtinlaat. Laat de machine gedurende 5-10 seconden lopen en neem de olie met een doek af.

Onderhoudsinstructies

Revisie en preventief onderhoud is aanbevolen bij geregelde intervallen eenmaal per jaar of na maximaal 250.000 aandraaibewerkingen afhankelijk van wat zich het eerst voordoet. Een frequentere revisie kan nodig zijn, meer bepaald bij verversen van de olie in de pulseenheid, indien gebruikt bij hoog koppel en een lange aandraaitijden. Als de machine niet goed werkt, moet ze onmiddellijk uit productie genomen worden voor inspectie.

Het filter in de luchtinlaat en de uitlaatdemper moeten geregeld gereinigd of vervangen worden om verstopping te vermijden, waardoor de capaciteit vermindert.

Bij de reparaties moeten alle onderdelen zorgvuldig schoongemaakt worden en moeten defecte of versleten onderdelen (nl. O-ringen, schoepen) worden vervangen.

- ⓘ Alle O-ringen moeten worden ingevet voor de montage; bijzonder belangrijk zijn de O-ringen in de pulseenheid.

Demontage/montage

Het is belangrijk dat de schroefdraadverbindingen van de machine degelijk zijn aangehaald, d.w.z. overeenkomstig de specificaties op de explosietekeningen.

Reiniging

Reinig alle onderdelen grondig met white spirit of met een gelijkaardig reinigingsmiddel. Om verstopping en een vermindering van het vermogen te vermijden, kan het nodig zijn de filter (indien gebruikt) en de uitlaatfilter tussen de revisies in te reinigen.

Inspectie

Inspecteer alle onderdelen na de reiniging. Beschadigde en versleten onderdelen moeten worden vervangen.

Smeren

Smeer vooral de tandwielen, de klep en de koppeling met vet dat molybdeendisulfide bevat (b.v. Molykote BR2 Plus). Zie de explosietekeningen en de fig. onder Onderhoudsinstructies.

Smeer de O-ringen en de schroefdraadverbindingen met vet alvorens ze weer samen te bouwen.

Smeergids

Merk	Algemene doeleinden Lagere	Motor as	Luchtmeeren
BP	Energol LS-EP2		Energol E46
Castrol	Speerol EP L2		
Esso	Beacon EP2		Arox EP46
Q8	Rembrandt EP2		Chopin 46
Mobil	Mobilegrease XHP 222		Almo oil 525
Shell	Alvania EP2		Tonna R32
Texaco	Multifak EP2		Aries 32
Molykote		BR2 Plus	
Lubricating Engineers		Almagard-3752	

Reserveonderdelen

Stukken zonder ordernummer worden om technische redenen niet afzonderlijk geleverd maar zitten in de servicekits.

Het gebruik van vervangende onderdelen anders dan van Desoutter kan een slechtere werking van het gereedschap of meer onderhoud tot gevolg hebben. Daarnaast maakt dit alle garanties ongeldig.

Technische gegevens

Nominale snelheid en koppelbereik

Nominale snelheid (rpm)	2800
Koppelbereik (Nm)	160-240

Geluids- en trillingsniveau

Waarden van het geluidsniveau volgens EN ISO 15744	
	dB(A)
Gemeten geluidsdruk	81
Vastgesteld geluidsvermogen	
Spreiding volgens methode en productie	3

Trillingswaarden volgens ISO 8662-7	
	m/s ²
Gemeten trillingswaarde	5.7
Spreiding volgens methode en productie	1.6

Verklaring betreffende geluids- en trillingswaarden

Deze opgegeven waarden zijn verkregen tijdens laboratorium type-testen volgens de bovengenoemde normen, en zijn niet geschikt voor gebruik bij risicoanalyse. Gemeten waarden kunnen in individuele werkomstandigheden afwijken van de opgegeven waarden. De werkelijke waarden en risico's waaraan een individuele gebruiker wordt blootgesteld zijn onder meer afhankelijk van: de werkwijze, het werkstuk, de werkomgeving, de blootstellingsduur en de lichamelijke conditie van de gebruiker.

Wij, Desoutter, kunnen niet verantwoordelijk worden gehouden voor de gevolgen van het gebruik van de opgegeven waarden, in plaats van waarden die overeenkomen met de werkelijke blootstelling, bij een individuele risicoanalyse van werkomstandigheden waarop wij geen invloed hebben.

Garantie van Desoutter

- 1) Op dit product van Desoutter is gedurende 12 maanden vanaf de aankoopdatum een garantie op fabricagefouten en defecten in materialen van toepassing indien het product is gekocht bij Desoutter of een Desoutter-verkooppunt, en indien dit product gedurende deze periode slechts in één dienst gebruikt is. Indien het product meer dan in één dienst is gebruikt, wordt de garantieperiode verkort op een pro rata-basis.
- 2) Indien aan het product gedurende de garantieperiode fabricage- of materiaal fouten worden opgemerkt, dient het samen met een korte beschrijving van het defect te worden geretourneerd aan Desoutter of een Desoutter-verkooppunt. Desoutter zal deze artikelen onderzoeken en zo nodig gratis repareren of vervangen indien het defect te wijten is aan fabricage- of materiaal fouten.
- 3) De garantie is niet van toepassing op producten die misbruikt, verkeerd gebruikt of gewijzigd zijn. De garantie is niet van toepassing op producten die zijn gerepareerd met andere dan originele Desoutter-reserveonderdelen of door anderen dan Desoutter of haar erkende onderhoudspunten zijn gerepareerd.
- 4) Indien Desoutter kosten maakt voor het herstel van een defect dat is ontstaan als gevolg van misbruik, verkeerd gebruik, schade of een niet-goedgekeurde wijziging, dienen deze kosten volledig te worden vergoed.
- 5) Desoutter accepteert geen claims voor arbeidskosten of andere kosten die het gevolg zijn van defecte producten.
- 6) Alle directe, incidentele en gevolgschade voortvloeiend uit het defect wordt uitdrukkelijk afgewezen.
- 7) Deze garantie vervangt alle andere garanties en voorwaarden, uitdrukkelijk of stilzwijgend, omtrent de kwaliteit, de verkoopbaarheid of de geschiktheid voor een bepaald doel.
- 8) Niemand, inclusief dealers, technici of personeel van Desoutter, heeft toestemming de voorwaarden van deze beperkte garantie op welke manier dan ook uit te breiden of te wijzigen.



Copyright

© Copyright 2013, Desoutter HP2 7SJ UK. Alle rettigheder forbeholdes. Al uautoriseret brug eller kopiering af indholdet eller dele deraf er forbudt. Dette gælder især varemærker, modelbetegnelser, reservedelsnumre og tegninger. Brug kun autoriserede reservedele. Al skade eller fejlfunktion som følge af brug af uautoriserede dele dækkes hverken af garantien eller produktansvaret.

Erklæring om brug

Dette produkt er beregnet til at installere og fjerne fastgørelsesenheder med gevind i/fra træ, metal og plastik. Anden brug er ikke tilladt. Kun til professionel brug. Brug af andre reservedele/ andet tilbehør end dem, der originalt medfølger fra fabrikanten, kan medføre fald i ydeevnen og/eller forøge vedligeholdelsen/støjniveauet/vibrationerne, og som resultat heraf komplet bortfald af fabrikantens ansvar.

Montering

Luftkvalitet

- Det anbefales at bruge trykluft med et dugpunkt mellem +2 °C og +10 °C for at opnå optimal ydelse og maksimal maskinlevetid. Det anbefales at installere en lufttørrer af nedkølingstypen.
- Brug et særskilt luftfilter, fjern faste partikler, som er større end 30 mikron og mere end 90 % af flydende vand. Installer filteret så tæt som muligt på maskinen, og før installationen af nogen anden luftbehandlingsenhed. Blæs slangen ud, før den tilsluttes.
- Trykluften skal indeholde en lille mængde olie. Det anbefales kraftigt at installere en olietåge-smøreanordning, som normalt indstilles til 3-4 dråber (50 mm³)/m³ luftforbrug for værktøj, der kører lange cyklusser, eller en lokaliseret smøreanordning til værktøj, der kører korte cyklusser.
- Hvad angår smørefrit værktøj er det ingen ulempe, hvis trykluften efter kundens valg indeholder en lille mængde olie fra en smøreanordning. En undtagelse er turbineværktøj, som skal holdes frit for olie. (se Luftledningstilbehør i vort hovedkatalog).

Tryklufttilslutning

- Maskinen er konstrueret til et arbejdstryk (e) på 6–7 bar = 600–700 kPa = 6–7 kp/cm².
- Blæs slangen igennem, inden den forbindes.

Håndtering

Indstilling af tilspændingsmoment

- ⓘ Justeringskruen er tilgængelig gennem hullet i huset. Drei eventuelt den udgående spindelen.

Glem ikke efter justeringen å sette pluggen i huset.

Det anbefales å begynde med minimum momentinnstilling, når justeringskruen er skrudd omtrent 6 omdreininger fra bunnstillingen. Skru ikke ut mer.

Kontrollér altid indstillingen på den aktuelle samling.

Testmetode - Statisk eller dynamisk

Det anbefales at anvende statisk måling af drejningsmoment til Pulse-værktøj.

Hvis der anvendes dynamisk måling af drejningsmomentet med en elektronisk inline momenttransducer, skal man altid kontrollere måleresultatet med en statisk kontrol med en momentnøgle (elektronisk).

ADVARSEL



TILSLUT ALDRIG TRYKLUF, FØR VÆRKTØJET ER HELT SAMLET! ROTORBLADENE I DETTE VÆRKTØJ INDHOLDER PTFE. GÆLDENDE FORSKRIFTER M.H.T. SUNDHED OG SIKKERHED SKAL OVERHOLDES NÅR MAN ARBEJDER MED ROTORBLADENE.

- RYGNING FORBUDT!!
- MOTORDELENE SKAL VASKES RENE I RENGØRINGSMIDDEL OG MÅ IKKE TØRRER VED HJÆLP AF TRYKLUF.
- LYDDÆMPEREN SKAL UDSKIFTES NÅR DEN ER SNAVSET. DEN MÅ IKKE RENGØRES OG BRUGES IGEN.
- VASK HÆNDERNE INDEN ET NYT ARBEJDE BEGYNDES!

Vedligeholdelse

- Alle momentværdier ±10%
- Vær sikker på at de gældende sikkerhedsregler overholdes dele og smøremidler, etc. skal bortskaffes.
- Den udvendige støbning af motorhuset tørres rent med et ikke-aggressivt universalaffedtningsmiddel.

For maksimal ydelse

Ved hårde arbejdsforhold - bløde samlinger og maks. indstilling - anbefales luftsmøring.

Ved ekstremt tør luft kan lamellernes levetid og værktøjets effekt være nedsat. En daglig olietilførsel (0,1 - 0,2 ml) i maskinens luftindgang eller tilkobling af en automatisk smøreanordning olietågesmører eller en enkeltpunktssmører vil forbedre maskinens ydelse.

Efterfyld impuls-enheden med olie

For at opnå den optimale ydelsen for maskinen skal oliemængden i impulsenheden være korrekt. På grund af mulighed for mikrolækage af olie fra impuls-enheden kan det være nødvendigt at efterfylde enheden mellem de normale serviceintervaller. Hyppigheden af denne procedure afhænger af anvendelsesformen, antallet af anvendelser, tilspændingstid etc. en nøjagtig efterfyldning af impuls-enheden giver lange serviceintervaller.

For meget olie i impulsenheden medfører en lav impulsfrekvens og langsomme tilspændinger.

For lidt olie i impulsenheden medfører en højere impulsfrekvens, og der vil være risiko for faldende tilspændingsmoment. Specielt ved de første tilspændinger efter en stilstand kan maskinen løbe for hurtigt.

Benyt hydraulikolie: 22 cST / 40 °C (ISO VG22).

Hvis maskinen anvendes med for lidt olie, kan impuls-enheden blive beskadiget.

Efter påfyldning kontrolleres tilspændingsmomentet.

Rustbeskyttelse og indvendig rengøring

Vand i trykluften, støv og slibende partikler kan medføre rust og fastsiddende lameller, ventiler etc. Der bør monteres et luftfilteri



nærheden af maskinen (se 'Luftkvalitet'). Før længere stilstand hældes nogle få dråber olie ind i luftindtaget, lad maskinen køre i 5-10 sekunder og sug olien op i en klud.

Serviceinstruktioner

Det anbefales at foretage eftersyn og forebyggende vedligeholdelse med jævne mellemrum en gang om året eller efter maks 250.000 tilspændinger, alt efter hvad der opstår først. Hyppigere eftersyn kan blive nødvendige, specielt olieskift i impuls-enheden, hvis den anvendes ved højt drejningsmoment og med lange tilspændingstider. Hvis maskinen ikke fungerer korrekt, skal den omgående sendes til eftersyn.

Med jævne mellemrum skal luftindtagets filter og lyddæmperen rengøres eller udskiftes for at forebygge kapacitetsnedsættende tilstopning.

Ved eftersyn skal alle dele rengøres omhyggeligt, og defekte eller slidte dele (f.eks. O-ringe, lameller) skal udskiftes.

- ⓘ Alle O-ringe skal smøres før samling; specielt vigtigt er O-ringene i impuls-enheden.

Adskillelse /samling

Det er vigtigt, at maskinens gevindsamlinger er korrekt tilspændt; dvs. i overensstemmelse med specifikationerne på eksplosionstegningerne.

Rengøring

Rengør alle dele omhyggeligt i mineralsk terpentin eller lignende rengøringsmiddel. For at undgå tilstopning og nedsat effekt kan det være nødvendigt at rengøre filteret (hvis monteret) og udblæsningsfilteret mellem serviceeftersynene.

Kontrol

Efter rengøringen kontrolleres alle dele. Beskadede og slidte dele skal udskiftes.

Smøring

Smør specielt gear, ventil og kobling med fedt indeholdende molybdæn-disulfid (f.eks. Molykote BR2 Plus). Se eksplosions-tegninger og fig. under Servicevejledning.

Smør O-ringe og gevindsamlinger med fedt før samling.

Fedtoversigt

Mærke	Universal brug Lejer	Motor skaft	Luftsmøring
BP	Energrease LS-EP2		Energol E46
Castrol	Spheerol EP L2		
Esso	Beacon EP2		Arox EP46
Q8	Rembrandt EP2		Chopin 46
Mobil	Mobilegrease XHP 222		Almo oil 525
Shell	Alvania EP2		Tonna R32
Texaco	Multifak EP2		Aries 32
Molykote		BR2 Plus	
Lubricating Engineers		Almagard-3752	

Reserve dele

Dele uden bestillingsnummer leveres af tekniske årsager ikke separat; dette gælder også dele, der indgår i service-sæt.

Brug af andre end originale reservedele fra Desoutter kan resultere i forringede præstationer og øget vedligeholdelse og kan efter virksomhedens skøn medføre bortfald af alle garantier.

Tekniske data

Nominel hastighed og momentområde

Nominel hastighed (o./min.)	2800
Momentområde (Nm)	160-240

Lyd og vibrationer

Støj-værdier i overensstemmelse med EN ISO 15744dB(A)

Målt lydtryksniveau	81
Fastsat lydstyrkeniveau	
Spredning i metode og produktion	3

Vibrations-værdier i overensstemmelse med ISO 8662-7

Målt vibrationsværdi	5.7
Spredning i metode og produktion	1.6

Bekendtgørelse om udsendelse af støj og vibrationer

Disse deklarationsværdier er opnået ved målinger på laboratorie i overensstemmelse med de opstillede standarder og er ikke direkte anvendelige til risikovurderinger. De målte værdier på den individuelle arbejdsplads kan således godt være højere end de deklarerede værdier. De aktuelle lyd – og vibrationsbelastninger som påvirker brugeren er afhængige af den måde brugeren arbejder på, emnet der arbejdes med og arbejdspladsens indretning såvel som exponeringstid og brugerens fysik.

Vi, **Desoutter**, kan ikke drages til ansvar for konsekvenserne af at anvende de deklarerede værdier i stedet for at anvende de værdier som afspejler den aktuelle belastning målt på arbejdsstedet og som skal ligge til grund for risikovurdering af en arbejdssituation som vi ikke har kontrol over.

Desoutter garanti

- 1) Dette Desoutter-produkt garanteres mod dårlig udførelse eller defekte materialer i en periode på maks. 12 måneder efter købsdatoen fra Desoutter eller dennes agenter, forudsat, at produktets anvendelse er begrænset til drift i enkeltskift i hele den periode. Hvis brugshyppigheden overstiger drift i enkeltskift, vil garantiperioden blive reduceret proportionalt hermed.
- 2) Hvis produktet i garantiperioden synes at være af dårlig udførelse eller defekte materialer, skal det returneres til Desoutter eller dennes agenter sammen med en kort beskrivelse af den påståede defekt. Desoutter vil, alene efter eget skøn, arrangere reparation eller ombytning uden beregning af sådanne dele, som anses for fejlbehæftede som følge af dårlig udførelse eller defekte materialer.
- 3) Denne garanti ophører med at gælde for produkter, der er blevet mishandlet, misbrugt eller modificeret, eller som er blevet repareret ved brug af andre reservedele end originale Desoutter reservedele eller af andre personer end Desoutter eller deres autoriserede serviceagenter.
- 4) Hvis Desoutter pådrager sig udgifter ved rettelse af en defekt som resultat af mishandling, misbrug, hændelig skade eller uautoriseret modifikation, vil de kræve, at sådanne udgifter afholdes til fulde.
- 5) Desoutter accepterer intet krav om refundering af arbejds løn eller andre udgifter indsendt for defekte produkter.
- 6) Direkte, tilfældige eller følgeskader af enhver art som følge af en defekt er udtrykkeligt udelukket.
- 7) Denne garanti gives som alle andre garantier, eller betingelser, udtrykkelige eller underforståede med hensyn til kvaliteten, salgbarheden eller egnetheden til et bestemt formål.
- 8) Ingen uanset om det er en agent, ansat eller medarbejder hos Desoutter er autoriseret til at tilføje eller på nogen måde ændre betingelserne i denne begrænsede garanti.



Opphavsrett

© Copyright 2013, Desoutter HP2 7SJ UK. Alle rettigheter forbeholdes. All uautorisert bruk eller kopiering av innholdet eller en del av dette er forbudt. Dette gjelder spesielt for varemerker, modellbetegnelser, delenumre og tegninger. Bruk kun autoriserte deler. Skader eller feilfunksjoner som forårsakes av bruk av uautoriserte deler, dekkes ikke av garantien eller produktansvaret.

Brukserklæring

Dette produktet er laget for å skru inn og skru ut gjengede festeordninger i tre, metall og plast. Ingen andre bruksområder er tillatt. Kun til profesjonell bruk. Bruk av deler/tilbehør som ikke er originalt og levert av produsenten, kan resultere i dårligere ytelse og/eller økt vedlikeholdsbehov/støynivå/vibrasjoner. Bruk av deler/tilbehør som ikke er originalt, resulterer i at produsenten fraskriver seg alt ansvar.

Installering

Luftkvalitet

- For optimal ytelse og maksimal levetid anbefaler vi bruk av komprimert luft med et duggpunkt på mellom +2° C og +10° C. Installasjon av en lufttørker av kjøletypen anbefales.
- Bruk et separat luftfilter, fjern fastpartikler som er større enn 30 mikroner og mer enn 90 % væskeinnhold. Installerer så nært maskinen som mulig, og før andre luftenheter. Blås ut slangen før du kobler til.
- Den komprimerte luften må inneholde små mengder olje. Vi anbefaler sterkt at du installerer et oljetåke-smøreapparat som stilles inn på 3-4 dråper (50mm3) for normalt luftforbruk for langsyklus kjørende verktøy, eller et enkeltdråpe smøreapparat for kortsyklus kjørende verktøy.
- Med hensyn til smørefrie verktøy er det ikke en bakdel fra kundens ståsted hvis den komprimerte luften inneholder en liten mengde olje slik som smøreapparatet tilfører. Et unntak er turbinverktøy som må holdes oljefrie. (se Lufttilførselstilbehør i hovedkatalogen vår).

Tilkobling av trykkluft

- Maskinen er konstruert for et arbeidstrykk (e) på 6-7 bar, 600-700 kPa, 6-7 kp/cm².
- Blås ut slangen for tilkobling.

Håndtering

Innstilling av dreiemomentet

- ① Justérskruen kan nås via hullet i motorhuset. Hvis det er nødvendig, drej den udgående aksel.

Efter justering er tilendebragt: Glem ikke at isætte skruen i hullet i motorhuset.

Det anbefales at starte med min. momentindstilling. – når justérskruen er skruet ca. 6 omgange ud fra bundstillingen. Skru ikke skruen længere.

Kontroller alltid innstillingen ved den aktuelle forbindelsen.

Testmetode - Statisk eller Dynamisk

For Pulse Tool-maskinene anbefales en statisk måling av dreiemomentet.

Hvis det benyttes dynamisk måling med en elektronisk "inline" momentomformer, verifiser alltid målemetoden ved en statisk kontroll med en momentnøkkel (elektronisk).

ADVARSEL



KOPLER ALDRI ET DELVIS MONTERTE VERKTØY TIL TRYKKLUFTTILFØRSELEN. LAMELLENE I DETTE VERKTØYET INNEHOLDER PTFE. DE VANLIGE HELSE- OG SIKKERHETSRETNINGS-LINJENE FOR PTFE MÅ OVERHOLDES VED HÅNDTERING AV LAMELLENE.

- RØYKING FORBUDT.
- MOTORKOMPONENTENE MÅ VASKES MED RENGJØRINGSVESKE. SKAL IKKE BLÅSES RENE VHA TRYKKLUFT.
- STØYDEMPEREN MÅ SKIFTES UT NÅR DEN BLIR SKITTEN. MÅ IKKE RENSES OG GJENBRUKES.
- VASK HENDENE FØR NYTT ARBEID PÅBEGYNNES.

Vedlikehold

- Alle momentverdier (torque) ± 10 % ("+" skal plasseres over "-")
- Når komponenter, smøremidler osv. kastes, må brukeren sørge for at dette skjer i henhold til de relevante sikkerhetsprosedyrene.
- Rengjør grep og deksel med et vanlig, ikke-aggressivt middel for avfetting.

For maksimal ytelse

Ved vanskelige arbeidsforhold, for eksempel svake forbindelser og maks. innstilling, anbefales smøring via trykkluften.

Ved ekstremt tørr trykkluft kan skovlenes levetid og verktøyets ytelse bli redusert. En daglig tilsetning av 0,1-0,2 ml olje.

Etterfyll pulsenheten med olje

For optimal ytelse må pulsenheten fylles med riktig mengde olje. Da det kan oppstå minimale oljelekkasjer, kan det bli nødvendig å etterfylle pulsenheten mellom service-intervallene. Hvor ofte dette må gjøres, avhenger av bruksområde, typen av skrueforbindelse, antall omdreininger, tiltrekkingstid, osv. En korrekt etterfylling av pulsenheten gir lange serviceintervaller.

For mye olje i pulsenheten gir lav pulsfrekvens og langsomme tilstramminger.

For lite olje i pulsenheten gir høy pulsfrekvens med fare for et redusert dreiemoment. Spesielt ved de første tilstrammingerne etter et opphold, kan maskinen ruse.

Bruk hydraulikkolje: 22 cST / 40 °C (ISO VG22).

Kjøring av maskinen med for lite olje kan ødelegge pulsenheten. Sjekk dreiemomentet etter påfylling.

Rustbeskyttelse og innvendig rengjøring

Vann i trykkluften, støv og slitende partikler forårsaker rust og fastkilte skovler, ventiler osv. Et luftfilter bør installeres nær maskinen (se "Luftkvalitet"). Før lengre tids stillstand: tilfør noen dråper olje i luftinntaket og kjør maskinen i 5-10 sekunder mens oljen tas opp i en klut.



Part no	2050505743	NO
Issue no	3	
Series no	C	
Date	2015-03	
Page	32	

Overhaling og smøring

Det anbefales at overhaling og forebyggende vedlikehold gjennomføres med regelmessige intervaller en gang per år eller etter maksimum 250.000 tilstramminger, avhengig av hva som oppstår først. Service kan bli nødvendig oftere, spesielt bytte av olje i pulsenheten ved bruk av høyt dreiemoment og lange tilstramningstider. Hvis maskinen ikke virker som den skal, bør den straks tas ut av drift for service.

Filteret i luftinntaket og lydtemperen bør rengjøres ofte, eller skiftes ut for å hindre tilstopping, noe som reduserer kapasiteten.

Ved alle overhalinger bør alle deler rengjøres nøye, og defekte eller slitte deler (f.eks. O-ringer, skovler) skiftes.

- ⓘ Alle O-ringer bør smøres før montering, dette er spesielt viktig for O-ringene i pulsenheten.

Demontering /montering

Det er viktig at maskinens gjengede koblinger strammes til ordentlig, dvs. i henhold til spesifikasjonene i sprengskissene.

Rengjøring

Rengjør alle deler nøye med white-spirit eller lignende rengjøringsmiddel. For å unngå tiltetting og redusert effekt, kan det bli nødvendig å gjøre ren silen (hvis slik brukes) og avgassfilteret mellom overhalingene.

Inspeksjon

Etter rengjøringen skal alle deler inspiseres. Skadde og slitte deler bør byttes ut.

Smøring

Smør spesielt gear, ventil og kopling med fett som inneholder molybdendisulfid (f.eks. Molykote BR2 Plus). Se sprengskisser og figurer i Service-instruksjoner.

Smør O-ringer og gjengede koblinger med fett før montering.

Smørefett-guide

Merke	Generell bruk Lagre	Motor skaft	Luft smøring
BP	Energrease LS-EP2		Energol E46
Castrol	Spheerol EP L2		
Esso	Beacon EP2		Arox EP46
Q8	Rembrandt EP2		Chopin 46
Mobil	Mobilegrease XHP 222		Almo oil 525
Shell	Alvania EP2		Tonna R32
Texaco	Multifak EP2		Aries 32
Molykote		BR2 Plus	
Lubricating Engineers		Almagard-3752	

Reservedeler

Deler uten bestillingsnummer og deler som inngår i våre Service-sett, kan av tekniske årsaker ikke leveres separat.

Bruk av andre deler enn originale deler fra Desoutter kan resultere i redusert ytelse og økt vedlikehold og kan, etter selskapets skjønn, gjøre alle garantier ugyldige.

Tekniske data

Nominell hastighet og momentområde

Nominell hastighet (o/min)	2800
Momentområde (Nm)	160-240

Lyd- og vibrasjonsnivå

Lydverdier i henhold til EN ISO 15744	dB(A)
Målt lydtryknivå	81
Fastsatt lydstyrkenivå	
Spredning i metode og produksjon	3

Vibrasjonsverdier i henhold til ISO 8662-7	m/s ²
Målt vibrationsverdi	5.7
Spredning i metode og produksjon	1.6

Lyd og vibrasjons deklarasjon

De oppgitte verdiene er laboratorieverdier i henhold til nevnte standarder og er ikke adekvate for bruk i risikovurderinger. Verdier målt på den enkelte arbeidsplass kan være høyere enn de oppgitte verdiene. De aktuelle eksponeringsverdier og individuell skaderisiko er unike og avhenger av måten brukeren arbeider på, arbeidsstykket og arbeidsplassens utforming, såvel som eksponeringstid og brukerens fysiske kondisjon.

Vi, **Desoutter**, kan ikke holdes ansvarlig for konsekvensene ved bruk av oppgitte verdier, istedet for aktuelle eksponeringsverdier, i en individuell risikovurdering av en arbeidssituasjon utenfor vår kontroll.

Desoutter-garanti

- 1) Dette Desoutter-produktet garanteres mot defekt utførelse eller materiale i en maksimal periode på 12 måneder etter kjøpedato fra Desoutter eller dets agenter, gitt at bruken er begrenset til enkeltskiftsdrift i løpet av denne perioden. Hvis bruksraten overskrider den for enkeltskiftsdrift, skal garantiperioden reduseres til en pro rata-basis.
- 2) Hvis produktet i løpet av garantiperioden ser ut til å være defekt i utførelse eller materialer, skal det returneres til Desoutter eller dets agenter, sammen med en kort beskrivelse av den påståtte defekten. Desoutter skal, etter eget skjønn, arrangere reparasjon eller erstatning kostnadsfritt av slike elementer som anses som defekte på grunn av defekt utførelse eller materialer.
- 3) Denne garantien opphører å gjelde for produkter som har blitt misbrukt, feilbrukt eller modifisert, eller som har blitt reparert ved bruk av andre reservedeler enn originale Desoutter-reservedeler eller av andre enn Desoutter eller dets serviceagenter.
- 4) Hvis Desoutter skulle pådra seg noen kostnad ved korrigerende av en defekt som skyldes misbruk, feilbruk, ulykkesskade eller uautorisert modifisering, vil de kreve at denne kostnaden erstattes i sitt fulle.
- 5) Desoutter godtar ingen krav for arbeid eller andre utgifter som oppstår ved defekte produkter.
- 6) Alle direkte, tilfeldige eller følgesmessige skader av alle slag som oppstår fra en eventuell defekt, er uttrykkelig utelukket.
- 7) Denne garantien gis in lieu av alle andre garantier, eller betingelser, uttrykte eller underforståtte, når det gjelder kvalitet, salgbarhet eller egnethet til et bestemt formål.
- 8) Ingen, verken agenten, arbeider eller ansatt hos Desoutter er autorisert til å legge til noe eller modifisere vilkårene i denne begrensede garantien på noen måte.

Part no	2050505743
Issue no	3
Series no	C
Date	2015-03
Page	34

FI

Copyright

© Copyright 2013, Desoutter HP2 7SJ UK. Kaikki oikeudet pidätetään. Sisällön tai sen osan luvaton käyttö tai kopiointi on kielletty. Se koskee erityisesti tavaramerkkejä, mallinimityksiä, osanumeroita ja piirustuksia. Käytä vain hyväksytyjä varaosia. Takuu tai tuotevastuu ei korvaa mitään vaurioita tai toimintahäiriöitä, jotka johtuvat luvattomien varaosien käytöstä.

Käyttöilmoitus

Tämä tuote on valmistettu puisten, metallisten ja muovisten kierteellisten kiinnittimien asennukseen ja poistoon. Muunlainen käyttö ei ole sallittua. Tuote on tarkoitettu vain ammattilaiskäyttöön. Muiden kuin valmistajan alkuperäisten varaosien/lisäosien käyttö voi johtaa huonontuneeseen suorituskyykyyn ja/tai lisääntyneeseen huoltoon/melutasoon/tärinään ja näiden seurauksena jopa koko valmistajan takuun peruuttamiseen.

Asennus

Ilman laatu

- Parhaan suorituskyykyyn ja laitteen käyttöön saamiseksi suosittelemme paineilman käyttöä kastepisteellä, joka on välillä +2°C ja +10°C. Jäähdyttävän ilmankuivaajan asentaminen on suositeltavaa.
- Erillisen ilmansuodattimen käyttö poistaa 30 mikronia suuremmat kiinteät hiukkaset sekä yli 90% vedestä. Se asennetaan mahdollisimman lähelle laitetta ja ennen mitään muuta ilmankäsittely-yksikköä. Sulje letku ennen kytkemistä.
- Paineilman on sisällettävä pieni määrä öljyä. Suosittelemme vahvasti öljysumuvoitelulaitteen asentamista, joka asetetaan normaalisti 3-4 pisaran (50mm3)/m3 ilmankulutukselle pitkäjaksotoimisille työkaluille tai yksikohtainen voitelulaite lyhytjaksotomisille työkaluille.
- Asiakkaan valitsemana erillisillä voitelulaitteilla ei ole haitaksi, jos paineilma sisältää pienen määrän voitelulaitteesta tulevaa öljyä. Poikkeuksena ovat turbiinilaitteet, joissa ei saa olla öljyä. (ole hyvä ja katso Paineilman lisävarusteet päälueetelosta).

Paineilmaliitäntä

- Koneen työpaine (e) on 6-7 bar = 600-700 kPa = 6-7 kp/cm².
- Puhalla letku puhtaaksi ennen liittämistä.

Käsittely

Kiristysmomentin asetus

- ① Säätöruuviin pääsee käsiksi kotelon aukon kautta. Pyöritä akselia tarvittaessa.

Muista säädön jälkeen asentaa tulppa takaisin paikalleen kotelon aukkoon.

Aloita minimimomentista – ruuvia on silloin kierretty noin 6 kierrosta ulos pohja- asennosta. Älä kierrä ruuvia ulos enempää. Tarkista aina asetus juuri tehtävänä olevassa kohdassa.

Koetusmenetelmä - Staattinen tai Dynaaminen

Pulssityökaluille suositetaan staattista vääntömomentin mittaamista. Jos käytetään dynaamista vääntömomentin mittausta ja elektronista sisäistä momentinilmaisinta, tarkista mittaustuloksesi

aina käyttämällä staattista tarkistusta (elektronisen) momenttiavaimen avulla.

VAROITUS



IRROTA ILMANSYÖTÖSTÄ ENNEN SÄÄTÖ- TAI HUOLTOTOIMENPITEITÄ. TÄMÄN TYÖKALUN ROOTTORIN SIIPIIN SISÄLTYY PTFE:TÄ. NÄITÄ ROOTTORIN SIIPIÄ KÄSITELTÄESSÄ ON NOUDATETTAVA NORMAALEJA TURVASUOSITUKSIA.

- ÄLÄ TUPAKOI.
- MOOTTORIN KOMPONENTIT TÄYTYY PESTÄ PUHDISTUSAINEELELLA, NIITÄ EI SAA PUHALTAA PUHTAAKSI ILMAA käyttämällä.
- ÄÄNENVAIMENNIN TÄYTYY VAIHTAA UUTEEN, KUN SE ON LIKAANTUNUT. ÄLÄ PUHDISTA JA KÄYTÄ UUDESTAAN.
- PESE KÄTESI ENNEN KUIN RYHDYT MIHINKÄÄN MUIHIN TOIMIIN.

Ylläpito

- Kaikki vääntövoima-arvot ±10%.
- Huolehdi asianmukaisten turvatoimenpiteiden noudattamisesta komponentteja, voiteluaineita yms. hävitettäessä.
- Valukuori pitää pyyhkiä puhtaaksi yleiskäyttöisellä, syövyttämättömällä rasvanpoistoaineella.

Parhaan suorituskyykyyn vuoksi

Kovissa työskentelyolosuhteissa - pehmeät liitokset ja enimmäisasetus - ilman voitelemine on suositeltavaa.

Jos syöttöilma on erittäin kuivaa, siipien kestoikä ja työkalun teho saattaa pienentyä. Päivittäinen annos öljyä (0,1 - 0,2 ml) koneen syöttöaukkoon, tai ota harkittavaksi öljyvoitelusumuttimen tyyppisen automaattisen voitelulaitteen tai yksipistevoitelulaitteen käyttö, mikä parantaa koneen suorituskyykyä.

Täytä pulssiyksikkö öljyllä

Koneen parhaan suorituskyykyyn vuoksi pulssiyksikön on oltava oikein täytetty öljyllä. Pulssiyksiköstä tapahtuvan mahdollisen öljyn mikrovuodon takia yksikön uudelleen täyttäminen saattaa olla välttämätöntä säännöllisten peruskorjausten välilläkin. Tämän menettelyn taajuus riippuu sovellustyyppistä, työvaiheiden määrästä, kiristysajasta jne. Pulssiyksikön tarkka uudelleentäyttö johtaa pitkiin huoltoväleihin.

Pulssiyksikön liian suuri öljymäärä merkitsee alhaista pulssitaajuutta ja hitaita kiristyksiä.

Pulssiyksikön liian pieni öljymäärä merkitsee korkeaa pulssitaajuutta ja pienenevän kiristysmomentin vaaraa. Varsinkin katkon jälkeisten ensimmäisten kiristysten yhteydessä kone saattaa käydä liian kovaa.

Käytä hydraulioöljyä: 22 cST / 40 °C (ISO VG22).

Koneen käyttäminen liian vähällä öljyllä saattaa vaurioittaa pulssiyksikköä.

Uudelleentäytön jälkeen - Tarkista kiristysmomentti.

Ruosteenesto ja sisäpuhdistus

Paineilmassa oleva vesi, pöly ja kulumishiukkaset aiheuttavat ruostumista sekä siipien, venttiilien ym. jumiutumista. Koneen lähelle on asennettava ilmansuodin (katso 'Ilman laatu'). Huuhtelee ennen pitkiä käyttötauvoja tiputtamalla (joitakin tippoja) öljyä ilmanottoaukkoon, käytä sen jälkeen konetta 5-10 sekuntia imeyttämällä öljy samalla riepun.



Huolto-ohjeet

Peruskorjausta ja ehkäisevää huoltoa suositetaan säännöllisin väliajoin, kerran vuodessa tai korkeintaan 250.000 kirstyksen välein, riippuen siitä, kumpi täyttyy ensin. Useamminkin tehtävät peruskorjaukset saattavat olla tarpeen, varsinkin pulssiyksikön öljynvaihto, jos käytetään suurta momenttia ja pitkiä kirstyksiä. Ellei kone toimi kunnolla, se on toimitettava heti tarkastettavaksi.

Imuilman sihti ja poistoäänenvaimennin on puhdistettava toistuvasti tai vaihdettava tukkeutumisen estämiseksi, koska se alentaisi kapasiteettia.

Peruskorjauksen yhteydessä kaikki osat on puhdistettava tarkkaan ja vialliset tai kuluneet osat (t.s. O-renkaat, siivet) on vaihdettava uusiin.

- ⓘ Kaikki o-renkaat on rasvattava ennen kokoonpanoa; pulssiyksikössä olevat o-renkaat ovat erityisen tärkeitä.

Purkaminen / kokoaminen

On tärkeää, että koneen kierteitetty liitokset kiristetään oikein; t.s. noudattaen räjähdyskuvissa esitettyjä spesifikaatioita.

Puhdistaminen

Puhdista kaikki osat perusteellisesti valkospriillä tai vastaavalla puhdistusaineella. Tukkeutumisen ja tehon pienenemisen ehkäisemiseksi saattaa olla tarpeen puhdistaa sihti (jos käytössä) ja pakosuodin peruskorjausten väliaikoina.

Tarkastus

Tarkasta puhdistuksen jälkeen kaikki osat. Vaurioituneet ja kuluneet osat on vaihdettava uusiin.

Voitelu

Voitele varsinkin hammaspyörät, venttiili ja kytkin rasvalla, joka sisältää molybdeenidisulfidia (esim. Molykote BR2 Plus). Katso räjähdyskuvia ja Huolto-ohjeiden kuvaa.

Voitele o-renkaat ja kierteitetty liitokset rasvalla ennen kokoamista.

Rasvaopas

Merkki	Yleiskäyttöinen Laakerit	Moottori akseli	Ilmavoitelu
BP	Energol LS-EP2		Energol E46
Castrol	Sphereol EP L2		
Esso	Beacon EP2		Arox EP46
Q8	Rembrandt EP2		Chopin 46
Mobil	Mobilegrease XHP 222		Almo oil 525
Shell	Alvania EP2		Tonna R32
Texaco	Multifak EP2		Aries 32
Molycote		BR2 Plus	
Lubricating Engineers		Almagard-3752	

Varaosat

Ilman tilausnumeroa olevia osia ei jaeta teknisistä syistä erikseen, sama koskee Huoltosarjojen sisältämiä osia.

Muiden kuin Desoutter alkuperäisosien käyttäminen voi johtaa työkalun toiminnan heikkenemiseen ja huoltotarpeen lisääntymiseen ja voi yrityksen päätöksestä, johtaa takuiden mitätöintiin.

Tekniset tiedot

Nimellisa nopeus ja kirstysmomenttialue

Nimellisa nopeus (Rpm)	2800
Kirstysmomenttialue (Nm)	160-240

Melu- ja värinä taso


Mitatut meluarvot EN ISO 15744 mukaan	dB(A)
Mitatut äänenpainetaso	81
Todettu äänenpainetaso	
Menetelmän ja tuotannon hajonta	3

Mitatut värinä arvot ISO 8662-7 mukaan	m/s ²
Mitatut värinä taso	5.7
Menetelmän ja tuotannon hajonta	1.6

Lausunto koskien ilmoitettuja melu- ja värinä arvoja

Ilmoitetut arvot perustuvat laboratorio-oloissa suoritettuihin, standardien mukaisiin mittauksiin eivätkä ne sovellu riskitason määrittämisen perustaksi. Todelliset altistumisarvot ja käyttäjän henkilökohtainen teveysriski ovat yksilöllisiä ja riippuvat käyttäjän työtavasta, työkappaleesta ja työpaikan suunnittelusta sekä altistusajasta ja käyttäjän fyysisestä kunnosta.

Desoutter, ei vastaa mahdollisista seurauksista, mikäli ilmoitettuja arvoja käytetään riskin määrittämiseen todellisessa työtilanteessa tapahtuvaa, yksilöllistä altistumista varten olosuhteissa, jotka eivät ole valvonnassamme.

Part no	2050505743	
Issue no	3	
Series no	C	
Date	2015-03	
Page	36	

Desoutter-takuu

- 1) Takaamme, että tämä Desoutter-tuote on valmistus- ja materiaalivirheistä vapaa enintään 12 kuukautta ostopäivämäärästä laskettuna Desoutterilta tai sen jälleenmyyjiltä, olettaen, että sen käyttö on rajoitettu yhden työvuoron käyttöön tämän aikavälin aikana. Jos käyttömäärä ylittää yhden työvuoron aikaisen käytön, lyhenee myös takuu aika vastaavan määrän.
- 2) Jos tuotteessa havaitaan valmistus- tai materiaalivirheitä takuuajana, tulee se palauttaa Desoutterille tai sen jälleenmyyjälle lyhyen vian kuvauksen kanssa. Desoutter korjaa tai vaihtaa oman harkinnan mukaan valmistus- tai materiaalivirheistä vioittuneiksi todetut osat.
- 3) Tämä takuu mitätöityy, jos tuotetta on käytetty väärin tai muokattu, korjattu käyttämällä muita, kuin Desoutter-alkuperäisiä varaosia tai muun kuin Desoutterin valtuuttaman huoltohenkilön toimesta.
- 4) Mikäli Desoutter havaitsee, että vian korjaukseen liittyvät kustannukset ovat syntyneet väärinkäytöstä, vahingossa tapahtuneesta vauriosta tai valtuuttamattomasta korjauksesta, tullaan kyseinen kustannus vaatimaan takaisin kokonaisuudessaan.
- 5) Desoutter ei hyväksy vialliseen tuotteeseen liittyviä työ- tai muita käsittelykustannusten vaatimuksia.
- 6) Mitään viasta aiheutunut suora, epäsuora tai satunnainen vaurio ei kuulu takuun piiriin.
- 7) Tämä takuu korvaa kaikki muut takuut, ehdot, suorat tai epäsuorat, koskien laatua, kaupallisuutta tai sopivuutta tiettyyn käyttötarkoitukseen.
- 8) Kukaan Desoutterin edustaja, jälleenmyyjä tai työntekijä ei ole valtuutettu lisäämään tai muokkaamaan tämän rajoitetun takuun ehtoja missään muodossa.

Copyright

© Copyright 2013, Desoutter HP2 7SJ UK. Med ensamrätt. All obehörig användning eller kopiering av innehållet eller del därav är förbjuden. Detta gäller särskilt varumärken, modellbeteckningar, artikelnummer och ritningar. Använd bara godkända delar. Skador eller fel som orsakas genom användning av icke godkända delar täcks inte av garanti eller företagets produktansvar.

Användningsuppgift

Denna produkt är utformad för att skruva fast och ta bort gängade fästelement från trä, metall och plast. Ingen annan användning är tillåten. Endast för yrkesmässigt bruk. Användning av andra reservdelar/tillbehör än de som tillhandahålls av tillverkaren kan leda till att maskinen fungerar sämre än normalt och/eller att den kräver mer underhåll och/eller att den blir högljudd och vibrerar mer. Tillverkarens garanti upphävs om några andra än originalreservdelar eller originaltillbehör används.

Installation

Luftkvalitet

- För bästa prestanda och maximal livslängd för utrustningen rekommenderar vi att man använder tryckluft med daggpunkt mellan +2 °C och +10 °C. Vi rekommenderar även att man installerar en lufttorkare med kylfunktion.
- Använd ett separat luftfilter. Detta filter tar bort fasta partiklar som är större än 30 mikron, och det tar också bort över 90 % av vatten i vätskeform. Filtret ska installeras så nära maskinen/utrustningen som möjligt, och före övrig luftberedningsutrustning. Blås igenom slangen före anslutning.
- Tryckluften måste innehålla en liten mängd olja. Vi rekommenderar starkt att man installerar en oljedimsmörjare. Denna ställs normalt in på 3-4 droppar olja (50 mm3) per m3 förbrukad tryckluft vid användning av tryckluftverktyg som har långa arbetscykler.
- Man kan även använda en enpunktssmörjare för verktyg som har korta arbetscykler. Vad gäller smörjfria verktyg är det upp till kunden att avgöra vilken kringutrustning som ska användas. Det är dock ingen nackdel om tryckluften innehåller en liten mängd olja som t.ex. matas från en dimsmörjare. Turbinverktyg måste dock hållas fria från olja. (se Trycklufttillbehör i vår huvudkatalog).

Anslutning för tryckluft

- Maskinen är avsedd för ett arbetstryck på 6–7 bar = 600–700 kPa = 87–102 psi.
- Blås ren slangen innan den ansluts.

Hantering

Inställning av åtdragningsmoment

- ⓘ Justerskruven är åtkomlig genom hålet i huset. Vid behov, vrid utgående axeln.

Efter inställningen, glöm inte att skruva i pluggen i hålet.

Börja lämpligen med min. momentinställning - ställskruven är då utskruvad ca 6 varv från fullt inskruvat läge. Skruva ej ut skruven mer.

Kontrollera alltid inställningen på det aktuella skruvförbandet.

Testmetod - statisk eller dynamisk

En statisk momentmätning rekommenderas för Pulse Tool maskinerna.

Om en dynamisk mätning av åtdragningsmomentet med en elektronisk momentgivare genomförs skall man alltid verifiera mätresultatet genom en statisk kontroll med en momentnyckel (elektronisk).

VARNING

ANSLUT ALDRIG EN DELVIS HOPSATT MASKIN TILL TRYCKLUFTSNÄTET. ROTORBLADEN PÅ DETTA VERKTYG INNEHÅLLER PTFE. DE SEDVANLIGA HÄLSO- OCH SÄKERHETSREGLERNA BETRÄFFANDE PTFE MÅSTE IAKTTAGAS VID HANTERING AV ROTORBLADEN.



- RÖK INTE.
- MOTORNS BESTÅNDSDELAR MÅSTE RENGÖRAS MED RENGÖRINGSVÄTSKA OCH INTE GENOM ATT BLÅSA DEM RENA MED EN LUFTSLANG.
- LJUDDÄMPAREN MÅSTE BYTAS UT NÄR DEN ÄR SMUTSIG. DEN FÅR INTE RENGÖRAS OCH ANVÄNDAS IGEN.
- TVÄTTA HÄNDERNA INNAN ETT NYTT JOBB PÅBÖRJAS.

Underhåll

- Alla angivna spänningsmotståndsvärden $\pm 10\%$.
- Se till att de tillämpliga säkerhetsprocedurerna följs när du gör dig av med beståndsdelar, smörjningsmedal, etc.
- Höljet torkas rent med vanligt icke-slipande avfettningsmedel.

För maximal effekt

Vid krävande applikationer - mjuka skruvförband och max inställning - rekommenderas dimsmörjning.

Om luften är extremt torr kan lamellernas och verktygets livslängd förkortas. Daglig tillförsel av olja (0,1 - 0,2 ml) i maskinens inlopp eller användning av en automatisk smörjningsanordning, dimsmörjare eller enpunktssmörjare förbättrar maskinens driftgenskaper.

Påfyllning av pulsenheten med olja

För optimal maskinfunktion skall pulsenheten vara korrekt fylld med olja. Pga eventuellt mikroläckage av olja från pulsenheten kan det vara nödvändigt att fylla på enheten mellan de regelbundna översynstillfällena. Hur många gånger detta måste genomföras beror på användningssättet, antal slagcykler, åtdragningsstiden, etc. Korrekt påfyllning av pulsenheten möjliggör långa serviceintervaller.

För mycket olja i pulsenheten ger låg pulsfrekvens och långsamma åtdragningar.

För lite olja i pulsenheter ger höga pulsfrekvenser och man riskerar att åtdragningsmomentet reduceras. I synnerhet vid de första åtdragningarna efter ett uppehåll kan maskinvarvtalet rusa.

Använd följande hydraulolja: 22 cST / 40 °C (ISO VG22).

Om maskinen används med för lite olja kan pulsenheten skadas.

Efter påfyllningen skall man kontrollera åtdragningsmomentet.

Rostskydd och invändig rengöring

Vatten i tryckluften, damm och slitpartiklar vällar rostbildning och kärvande lameller, ventiler etc. Ett luftfilter bör monteras nära



Part no	2050505743
Issue no	3
Series no	C
Date	2015-03
Page	38



maskinen (se 'Luftkvalitet'). Före längre driftuppehåll bör man tillföra några droppar olja i maskinens luftinlopp. Kör maskinen sedan i 5 - 10 sekunder och fånga upp oljan med en trasa.

Serviceanvisningar

Översyn och preventivt underhåll rekommenderas vid jämna intervaller en gång per år eller senast efter 250 000 åtdragningar, beroende på vilket som uppträder först. Tätare översyn kan krävas, speciellt byte av olja i pulsenheten, om maskinen används vid höga moment och långa åtdragningstider. Om maskinen inte fungerar korrekt skall den omedelbart tas ur drift för inspektion.

Filtret på luftintaget och utloppets ljuddämpare skall rengöras regelbundet för att undvika att de sätts igen av föroreningar. Annars reduceras maskinens kapacitet.

Vid översynen skall alla delar rengöras noggrant och defekta eller slitna delar (t ex O-ringar, lameller) skall bytas ut.

Alla O-ringar skall fettas in före ihopsättningen. Detta är särskilt viktigt för O-ringarna i pulsenheten.

Isärtagning/hopsättning

Det är viktigt att maskinens gängade anslutningar dras åt korrekt, d v s enligt specificerade värden på sprängskisserna.

Rengöring

Rengör samtliga, utom elektronik, delar i lacknafta eller likvärdigt rengöringsmedel. För att förhindra igensättning och nedsatt effekt kan det vara nödvändigt att rengöra silen (om sådan finns) och utloppsfiltret mellan servicetillfällena.

Kontroll

Efter rengöring, kontrollera samtliga delar. Byt skadade och utslitna delar.

Smörjning

Smörj särskilt kugghjulen, ventilen och kopplingen med fett innehållande molybdendisulfid (t ex Molykote BR2 Plus). Se sprängskisserna och figuren under Serviceanvisningar.

Smörj O-ringar och gängade anslutningar med fett före hopsättning.

Rekommenderade oljefetter

Fabrikat	Allmän användning Lager	Motor axel	Luft smörjning
BP	Energol LS-EP2		Energol E46
Castrol	Spheerol EP L2		
Esso	Beacon EP2		Arox EP46
Q8	Rembrandt EP2		Chopin 46
Mobil	Mobilegrease XHP 222		Almo oil 525
Shell	Alvania EP2		Tonna R32
Texaco	Multifak EP2		Aries 32
Molycote		BR2 Plus	
Lubricating Engineers		Almagard- 3752	

Reservdelar

Artiklar utan beställningsnummer levereras inte separat av tekniska skäl. Detsamma gäller för delar som ingår i servicesatser.

Användning av andra delar än Desoutters originaldelar kan göra att verktygens prestanda försämras, att mer underhåll krävs, och kan även göra att alla garantier upphör att gälla om tillverkaren så bedömer.

Tekniska data

Märkvarvtal och momentområde

Märkvarvtal (varv/min)	2800
Momentområde (Nm)	160-240

Ljud och vibrationer

Ljud enligt EN ISO 15744	dB(A)
Uppmätt ljudtrycksnivå	81
Beräknad ljudeffektnivå	
Spridning i metod och produktion	3

Vibration enligt ISO 8662-7	m/s ²
Uppmätt vibrationsvärde	5.7
Spridning i metod och produktion	1.6

Buller- och vibrationsdeklaration

Alla värden gäller vid publikationsdatum för detta dokument. För senaste information, besök desouttertools.com. De här fastställda värdena erhöles genom laboratorieprover i överensstämmelse med uppgivna standarder och är ej lämpliga för riskutvärderingar.

Värden som uppmätts på individuella arbetsplatser kan vara högre än de fastställda värdena. De faktiska exponeringsvärdena och risken för skada för en individuell användare är unik och beror på det sätt som användaren arbetar, arbetsstycket och arbetsplatsens konstruktion, såväl som på exponeringstiden och användarens fysiska tillstånd. Vi, Desoutter, kan ej hållas ansvariga för följder vid användning av fastställda värden istället för värden som återkastar den faktiska exponeringen för en individuell riskutvärdering i en situation på en arbetsplats, över vilken vi ej har någon kontroll. Detta verktyg kan orsaka vibrationssyndrom på handen-armen om verktyget inte hanteras på rätt sätt. Det finns EU-guide angående hantering av hand-arm vibrationer på <http://www.humanvibration.com/EU/VIBGUIDE.htm>. För att förebygga eventuella framtida åkommor rekommenderar vi att hälsokontroller genomförs för att upptäcka tidiga symptom som kan bero på vibrationsrelaterade arbetsuppgifter.

Desoutters garanti

- 1) Denna produkt från Desoutter garanteras fri från tillverknings- eller materialfel under en period av längst 12 månader efter inköpsdatum från Desoutter eller dess återförsäljare, förutsatt att dess användning begränsas till enskiftsarbete under den perioden. Om användningen överstiger den för enskiftsarbete, ska garantiperioden minska proportionellt.
- 2) Om produkten under garantiperioden uppvisar defekter när det gäller arbete eller material, ska den returneras till Desoutter eller en återförsäljare tillsammans med en kort beskrivning av den påstådda defekten. Desoutter ska, efter eget gottfinnande, ombesörja reparation eller utbyte utan kostnad av de delar som bedöms defekta på grund av arbete eller material.
- 3) Denna garanti gäller inte för produkter som vanvårdats, missbrukats eller modifierats, eller som reparerats med andra delar än originaldelar från Desoutter eller av annan person än Desoutter eller någon av dess auktoriserade återförsäljare.
- 4) Om Desoutter ådrar sig utgifter vid korrigerande av ett fel p.g.a. vanvård, missbruk, oavsiktlig skada eller otillåten modifiering, kommer de att bestrida denna skuld i sin helhet.
- 5) Desoutter godkänner inga krav för arbets- eller annan kostnad för defekta produkter.
- 6) Alla direkta skador, särskilda skador eller följskador som uppkommer p.g.a. någon typ av defekt är uttryckligen undantagna.
- 7) Denna garanti ges i stället för varje annan garanti eller villkor, uttryckt eller underförstådd, när det gäller kvalitet, säljbarhet eller lämplighet för visst ändamål.
- 8) Ingen annan, vare sig återförsäljare, tjänsteman eller anställd hos Desoutter är auktoriserad att lägga till eller modifiera villkoren i denna begränsade garanti på något sätt.



Πνευματικά δικαιώματα

© Πνευματικά δικαιώματα 2013, Desoutter HP2 7SJ UK. Με την επιφύλαξη παντός δικαιώματος. Απαγορεύεται κάθε μη εξουσιοδοτημένη χρήση ή αντιγραφή των περιεχομένων ή μέρους τους. Αυτό ισχύει ιδίως για τα εμπορικά σήματα, τις επωνυμίες μοντέλων, τους αριθμούς ανταλλακτικών και τα σχεδιαγράμματα. Χρησιμοποιείτε μόνο εγκεκριμένα ανταλλακτικά. Οποιαδήποτε ζημία ή δυσλειτουργία λόγω μη εγκεκριμένων ανταλλακτικών δεν καλύπτεται από την Εγγύηση ή την Ευθύνη Προϊόντος.

Δήλωση Χρήσης

ο παρόν προϊόν έχει σχεδιαστεί για την τοποθέτηση και αφαίρεση σπειροειδών συνδετήρων σε ξύλο, μέταλλο και πλαστικό. Δεν επιτρέπεται κανένας άλλος τύπος χρήσης. Μόνο για επαγγελματική χρήση. Η χρήση ανταλλακτικών / εξαρτημάτων, διαφορετικών από αυτά που παρέχονται αρχικά από τον κατασκευαστή, ενδέχεται να οδηγήσει σε υποβάθμιση της απόδοσης ή/και αυξημένη απαίτηση συντήρησης / στάθμη θορύβου / δονήσεις, με αποτέλεσμα την πλήρη ακύρωση της ευθύνης του κατασκευαστή.

Εγκατάσταση

Air quality

- For optimum performance and maximum machine life we recommend use of compressed air with a dew point between +2°C and +10°C. Installation of a refrigeration-type air dryer is recommended.
- Use a separate air filter to remove solid particles larger than 30 microns and more than 90 % of water, installed as close as possible to the machine and prior to any other air preparation unit. Blow out the hose before connecting.
- The compressed air must contain a small quantity of oil. We strongly recommend that you install a oil-fog lubricator to be set normally at 3-4 drops(50mm³)/m³ air consumption for long cycle running tools, or a single-point lubricator for short cycle running tools.
- Regarding lubrication free tools it is, at the customers option, no disadvantage if the compressed air contains a small quantity of oil as supplied from a lubricator. An exception is turbine tools that should be kept oil free. (For further information please see Air Line Accessories in our main catalogue.)

Σύνδεση πεπιεσμένου αέρα

- Η μηχανή έχει σχεδιαστεί για λειτουργική πίεση (e) 6-7 bar = 600-700 kPa = 87-102 psi.
- Καθαρίστε τον σωλήνα με ριπές αέρα πριν από τη σύνδεση.

Χειρισμός

Setting of tightening torque

- The adjusting screw is accessible through the hole in the housing. If necessary, turn the outgoing spindle.

After adjusting, do not forget to assemble the plug of the hole in the housing.

It is recommended to start at min. torque setting - when the adjustment screw is screwed out approx. 6 turns from the bottom position. Do not screw out more.

Use of a machine over recommended maximum torque might result in improper function and faster wear.

Always check the setting on your actual joint.

ΜΕΘΟΔΟΣ ΕΛΕΓΧΟΥ - ΣΤΑΤΙΚΗ Ή ΔΥΝΑΜΙΚΗ

Συνιστάται η χρήση μιας στατικής μεθόδου μέτρησης ροπής για τα μηχανήματα της Pulse Tool.

Αν χρησιμοποιήσετε μια δυναμική μέθοδο μέτρησης ροπής έχοντας ένα ηλεκτρονικό εν σειρά αισθητήρα ροπής, βεβαιωθείτε πάντοτε ότι έχετε τη σωστή τιμή με ένα δυναμόκλειδο (ηλεκτρονικό).

ΠΡΟΕΙΔΟΠΟΙΗΣΗ

ΠΟΤΕ ΜΗΝ ΣΥΝΔΕΣΕΤΕ ΜΕ ΤΗΝ ΠΑΡΟΧΗ ΑΕΡΑ ΕΝΑ ΕΡΓΑΛΕΙΟ ΠΟΥ ΔΕΝ ΕΧΕΙ ΣΥΝΑΡΜΟΛΟΓΗΘΕΙ ΠΛΗΡΩΣ. ΟΙ ΨΥΚΤΡΕΣ ΤΟΥ ΡΟΤΟΡΑ ΣΕ ΑΥΤΟ ΤΟ ΕΡΓΑΛΕΙΟ ΠΕΡΙΕΧΟΥΝ ΤΕΦΛΟΝ (ΡΤΡΕ). ΚΑΤΑ ΤΗ ΧΡΗΣΗ ΑΥΤΩΝ ΤΩΝ ΛΕΠΙΔΩΝ ΘΑ ΠΡΕΠΕΙ ΝΑ ΑΚΟΛΟΥΘΗΣΕΤΕ ΤΙΣ ΥΠΟΔΕΙΞΕΙΣ ΠΕΡΙ ΥΓΙΕΙΝΗΣ ΚΑΙ ΑΣΦΑΛΕΙΑΣ ΠΟΥ ΑΦΟΡΟΥΝ ΤΟ ΥΛΙΚΟ ΤΕΦΛΟΝ (ΡΤΡΕ).

- ΜΗΝ ΚΑΠΝΙΖΕΤΕ.
- ΤΑ ΕΞΑΡΤΗΜΑΤΑ ΤΟΥ ΚΙΝΗΤΗΡΑ ΘΑ ΠΡΕΠΕΙ ΝΑ ΠΛΕΝΟΝΤΑΙ ΜΕ ΥΓΡΟ ΚΑΘΑΡΙΣΜΟΥ ΚΑΙ ΟΧΙ ΝΑ ΚΑΘΑΡΙΖΟΝΤΑΙ ΜΕ ΠΕΠΙΕΣΜΕΝΟ ΑΕΡΑ.
- ΣΕ ΠΕΡΙΠΤΩΣΗ ΡΥΠΑΝΣΗΣ, Ο ΣΙΓΑΣΤΗΡΑΣ ΘΑ ΠΡΕΠΕΙ ΑΝΤΙΚΑΘΙΣΤΑΤΑΙ ΚΑΙ ΟΧΙ ΝΑ ΚΑΘΑΡΙΖΕΤΑΙ ΚΑΙ ΝΑ ΕΠΑΝΑΧΡΗΣΙΜΟΠΟΙΕΙΤΑΙ.
- ΣΤΗ ΣΥΝΕΧΕΙΑ, ΠΡΟΤΟΥ ΕΚΤΕΛΕΣΕΤΕ ΟΠΟΙΑΔΗΠΟΤΕ ΕΡΓΑΣΙΑ ΘΑ ΠΡΕΠΕΙ ΝΑ ΠΛΥΝΕΤΕ ΤΑ ΧΕΡΙΑ ΣΑΣ.



ΣΥΝΤΗΡΗΣΗ

- Ενδέχεται να υπάρξει απόκλιση ±10% σε όλες τις τιμές ροπής.
- Όταν απορρίπτετε εξαρτήματα, λιπαντικά κ.λπ. βεβαιωθείτε ότι εφαρμόζονται οι σχετικές διαδικασίες ασφαλείας.
- Τυχόν υπερχείλιση θα πρέπει να καθαρίζεται με ένα μαλακό απολιπαντικό γενικής χρήσης.

ΓΙΑ ΑΝΩΤΑΤΗ ΑΠΟΔΟΣΗ

Σε συνθήκες σκληρής εργασίας - μαλακές ενώσεις και ρύθμιση στο άνω όριο - συνιστάται η λίπανση του πεπιεσμένου αέρα.

Σε περίπτωση υπερβολικά ξηρού αέρα συνιστάται να βάζετε 0.1 ως 0.2 χιλιοστά του λίτρου όταν μπορείτε. Σε περίπτωση σκληρών συνδέσμων και χαμηλών ρυθμίσεων ροπής, η μείωση της ελεύθερης ταχύτητας με τη βαλβίδα ρύθμισης θα αυξήσουν την ακρίβεια. Αυτό θα αυξήσει την απόδοση του εργαλείου. Σε περίπτωση σκληρών συνδέσμων και χαμηλών ρυθμίσεων ροπής, η μείωση της ελεύθερης ταχύτητας με τη βαλβίδα ρύθμισης θα αυξήσουν την ακρίβεια. Ελέγχετε πάντοτε τη ροπή σύσφιξης με την παρούσα ένωση μετά τη ρύθμιση.

ΞΑΝΑΓΕΜΙΣΤΕ ΤΗ ΜΟΝΑΔΑ ΠΑΛΜΩΝ ΜΕ ΛΑΔΙ

Για την όσο το δυνατό καλύτερη απόδοση, θα πρέπει η μονάδα παλμών να είναι σωστά γεμισμένη με λάδι. Μια ακριβής επαναπλήρωση δίνει μεγάλα χρονικά διαστήματα ανάμεσα στα γεμίσματα.

Το πολύ λάδι στη μονάδα παλμών δίνει χαμηλή συχνότητα και αργά σφιξίματα. Το πολύ λίγο λάδι στη μονάδα παλμών δίνει υψηλή συχνότητα παλμών και θα υπάρξει κίνδυνος χαμηλώματος της ροπής σύσφιξης. Ειδικά στα πρώτα σφιξίματα μετά από μια διακοπή λειτουργίας, μπορεί το εργαλείο να στραφεί ανεξέλεγκτα.



Χρησιμοποιείστε το Υδραυλικό Λάδι : 22 cST / 40° C (ISO VG22). Το να θέσετε σε λειτουργία το μηχάνημα για μια περίοδο με πολύ λίγο λάδι, μπορεί να προκαλέσει ζημιά στη μονάδα παλμών.

Αφού το γεμίσετε - Ελέγξτε τη ροπή σύσφιξης, μελετήστε το σχήμα Νο. 11.

ΠΡΟΣΤΑΣΙΑ ΚΑΤΑ ΤΗΣ ΣΚΟΥΡΙΑΣ ΚΑΙ ΕΣΩΤΕΡΙΚΟΣ ΚΑΘΑΡΙΣΜΟΣ

Το νερό που τυχόν περιέχεται στο πεπιεσμένο αέρα, η σκόνη και τα σωματίδια φθοράς προκαλούν σκουριά και κόλλημα των βαλβίδων και των στροφίγγων. Θα πρέπει να εγκαταστήσετε ένα φίλτρο αέρα κοντά στο εργαλείο, (μελετήστε το τμήμα "Ποιότητα αέρα"). Πριν από παύσεις διαρκείας, τοποθετήστε μερικές σταγόνες λαδιού στην εισαγωγή του αέρα και αφήσετε το εργαλείο να λειτουργήσει για 5 - 10 δευτερόλεπτα, την ώρα που απορροφάτε το παραπανίσιο λάδι με ένα ύφασμα.

Πίνακες διαχείρισης

Ονομαστική ταχύτητα και εύρος ροπής στρέψης

Ονομαστική ταχύτητα (Rpm)	2800
Εύρος ροπής στρέψης (Nm)	160-240

Στοιχεία εκπομπής θορύβου και κραδασμών

Οι παραπάνω δηλούμενες τιμές λήφθηκαν μετά από εργαστηριακές δοκιμές, οι οποίες διεξήχθησαν σύμφωνα με τα ισχύοντα πρότυπα και δεν θα πρέπει να λαμβάνονται κατά την εκτίμηση της επικινδυνότητας κάποιας εργασίας. Οι τιμές που λαμβάνονται από μετρήσεις στον κάθε χώρο εργασίας ξεχωριστά ενδέχεται να είναι υψηλότερες από τις τιμές που δηλώνονται παραπάνω. Οι πραγματικές τιμές έκθεσης και ο κίνδυνος πρόκλησης σωματικών βλαβών, στον οποίο εκτίθεται ο κάθε χρήστης ξεχωριστά καθορίζονται αποκλειστικά και μόνον από τον τρόπο με τον οποίο εργάζεται ο χρήστης. Ταυτόχρονα, σημαντικό ρόλο παίζει το αντικείμενο επάνω στο οποίο γίνεται η εργασία, η μορφολογία του χώρου εργασίας, καθώς και η διάρκεια έκθεσης και η φυσική κατάσταση του χρήστη.

Η εταιρεία Desoutter, δεν φέρει καμία ευθύνη για τις ενδεχόμενες επιπτώσεις εάν κατά την εκτίμηση της επικινδυνότητας κάποιας εργασίας, η οποία θα εκτελεστεί σε χώρο εργασίας, στον οποίο η εταιρεία δεν έχει κανέναν απολύτως έλεγχο, αντί των πραγματικών τιμών έκθεσης χρησιμοποιηθούν οι ως άνω δηλωθείσες τιμές.



Εγγύηση Desoutter

- 1) Αυτό το προϊόν της Desoutter φέρει εγγύηση έναντι ελαττωμάτων εργασίας ή υλικών, για μέγιστη περίοδο 12 μηνών από την ημερομηνία αγοράς από τη Desoutter ή τους αντιπροσώπους της, δεδομένου ότι η χρήση του περιορίζεται σε λειτουργία μονής βάρδιας για αυτή την περίοδο. Αν η χρήση υπερβεί τη λειτουργία μονής βάρδιας, η περίοδο της εγγύησης μειώνεται αναλογικά.
- 2) Αν, κατά την περίοδο εγγύησης, το προϊόν εκδηλώσει ελαττώματα εργασίας ή υλικών, πρέπει να επιστραφεί στη Desoutter ή τους αντιπροσώπους της, συνοδευόμενο από μία σύντομη περιγραφή του υποστηριζόμενου ελαττώματος. Η Desoutter, με αποκλειστική της ευχέρεια, θα κανονίσει την επισκευή ή τη δωρεάν αντικατάσταση των τμημάτων που θεωρούνται προβληματικά λόγω ελαττώματος εργασίας ή υλικών.
- 3) Αυτή η εγγύηση δεν ισχύει για προϊόντα που έχουν υποστεί κακομεταχείριση, λάθος χρήση ή τροποποίηση ή που έχουν επισκευαστεί με άλλα ανταλλακτικά, και όχι με αυθεντικά ανταλλακτικά της Desoutter ή από κάποιο πρόσωπο που δεν είναι η Desoutter ή οι εξουσιοδοτημένοι αντιπρόσωποι σέρβις της.
- 4) Σε περίπτωση που η Desoutter προβεί σε δαπάνες για την επιδιόρθωση σφάλματος λόγω κακομεταχείρισης, λάθος χρήσης, τυχαίας ζημίας ή μη εξουσιοδοτημένης τροποποίησης, θα απαιτήσει την πλήρη αποζημίωσή της για τις εν λόγω δαπάνες.
- 5) Η Desoutter δεν αποδέχεται καμία αξίωση για δαπάνες εργασίας ή άλλες που προκύπτουν λόγω ελαττωματικών προϊόντων.
- 6) Οποιαδήποτε άμεση, τυχαία ή συνεπαγόμενη ζημία που προκύπτει από κάποιο ελάττωμα αποκλείεται ρητώς.
- 7) Αυτή η εγγύηση αντικαθιστά κάθε άλλη εγγύηση ή όρους, ρητούς ή υπονοούμενους, όσον αφορά την ποιότητα, την εμπορευσιμότητα ή την καταλληλότητα για οποιονδήποτε συγκεκριμένο σκοπό.
- 8) Κανένα άλλο πρόσωπο, ανεξάρτητα από το εάν πρόκειται για αντιπρόσωπο, στέλεχος ή υπάλληλο της Desoutter, δεν επιτρέπεται να προσθέσει ή να τροποποιήσει τους όρους της παρούσας περιορισμένης εγγύησης με οποιονδήποτε τρόπο.



Авторское право

Авторское право © Desoutter HP2 7SJ UK, 2013 г. Все права защищены. Любое несанкционированное использование или копирование содержимого настоящего документа или его части запрещено. В частности, это относится к товарным знакам, названиям моделей, номерам деталей и чертежам. Используйте только разрешенные запасные части. Любые повреждения или неисправности, возникшие в результате использования неразрешенных запасных частей, не попадают под действие гарантии и ответственности производителя за продукцию.

На Зна Чение

Это изделие предназначено для установки резьбовых крепежных деталей в деревянные, металлические и пластиковые поверхности, а также для извлечения этих деталей. Иное использование данного изделия не допускается. Только для профессионального применения. Использование запасных частей или аксессуаров, отличных от поставляемых оригинальным производителем, может привести к падению мощности и (или) необходимости более частого обслуживания, а также к повышению уровня шумов/вибрации и, как следствие, повлечь за собой полное снятие ответственности с производителя.

Установка

Качество воздуха

- Для оптимальной производительности и максимального срока эксплуатации механизма рекомендуется использовать сжатый воздух с температурой конденсации +2...+10 °С. Также рекомендуется установка осушителя воздуха охлаждающего типа.
- Используйте отдельный воздушный фильтр, задерживающий твердые частички размером более 30 микрон и более 90% влаги, и устанавливаемый как можно ближе к механизму перед другими устройствами подготовки воздуха. Продувайте воздухопроводы перед их подключением.
- Содержание масла в сжатом воздухе должно быть незначительным. Настоятельно рекомендуем устанавливать масляный распылитель однократного распыления, настроенный на 3-4 капли (50 куб. мм)/1 куб. м потребляемого воздуха (для устройств с долгосрочным рабочим циклом), или одноточечный смазочный механизм (для устройств с краткосрочным рабочим циклом).
При работе с устройствами, не требующими смазки, допускается содержание в воздухе незначительного количества смазки, подаваемой смазочным механизмом.
- Исключение составляют устройства с турбинами, в которых использование смазки не допускается. (см. раздел «Принадлежности систем подачи воздуха» в нашем главном каталоге).

Подключение пневмомагистрали

- Инструмент рассчитан на рабочее давление в 6–7 атм = 600–700 кПа.
- Перед подсоединением продуйте шланг.

Работа с инструментом

Настройка момента затяжки

- ⓘ Винт настройки доступен через отверстие в корпусе. По необходимости поверните выходной вал.

После настройки не забудьте поставить заглушку на отверстие в корпусе.

Рекомендуется начать установку момента на минимум – винт вывернут наружу где-то на 6 оборотов от нижней позиции, но не больше.

Использование инструмента на значениях момента выше рекомендованного может привести к неправильной работе инструмента или его преждевременному выходу из строя.

Всегда проверяйте настройку момента затяжки на реальном соединении.

Метод проверки – статический или динамический

Для гидравлического инструмента Pulse Tool рекомендуем использовать статический метод измерения момента.

Если используете динамический метод измерения момента с помощью электронного промежуточного датчика, то всегда перепроверяйте результат с помощью статического измерения динамометрическим (электронным или механическим) ключом.

ПРЕДУПРЕЖДЕНИЕ



НИ В КОЕМ СЛУЧАЕ НЕ ПОДКЛЮЧАЙТЕ К ВОЗДУХОВОДУ ИНСТРУМЕНТ ДО ПОЛНОГО ЗАВЕРШЕНИЯ ЕГО СБОРКИ. ЛОПАТКИ РОТОРА ДАННОГО ИНСТРУМЕНТА ИЗГОТОВЛЕННЫ С ПРИМЕНЕНИЕМ ПОЛИТЕТРАФТОРЭТИЛЕНА. ПРИ РАБОТЕ С ЛОПАТКАМИ РОТОРА СОБЛЮДАЙТЕ ОБЫЧНЫЕ РЕКОМЕНДАЦИИ ПО ОХРАНЕ ТРУДА И ТЕХНИКЕ БЕЗОПАСНОСТИ В ОТНОШЕНИИ ИЗДЕЛИЙ ИЗ ПОЛИТЕТРАФТОРЭТИЛЕНА.

- НЕ КУРИТЬ!
- ПРОМЫВАЙТЕ ДЕТАЛИ МОТОРА МЯГКИМ СРЕДСТВОМ, НЕ ПРИБЕГАЯ К ПРОДУВКЕ.
- ЗАГРЯЗНЕННЫЙ ГЛУШИТЕЛЬ ПОДЛЕЖИТ ЗАМЕНЕ; ПОВТОРНОЕ ИСПОЛЬЗОВАНИЕ ПОСЛЕ ОЧИСТКИ НЕ ДОПУСКАЕТСЯ.
- ЗАКОНЧИВ РАБОТУ, ВЫМОЙТЕ РУКИ, ПРЕЖДЕ ЧЕМ ЗАНЯТЬСЯ ЧЕМ-ТО ДРУГИМ.

Техническое обслуживание

- Допуск момента затяжки $\pm 10\%$.
- Утилизация компонентов, смазочных материалов и т.п. производится с обязательным соблюдением соответствующих мер предосторожности.
- Лишняя смазка удаляется неедким обезжиривающим средством общего назначения. Для максимальной производительности производства.

Для максимальной производительности

В сложных приложениях – мягкое соединение и максимально возможный момент – рекомендуется использовать смазку инструмента через воздух.

В чрезвычайно сухом воздухе продолжительность рабочего цикла лопаток и производительность инструмента может быть



Part no	2050505743
Issue no	3
Series no	C
Date	2015-03
Page	44



снижена. Для увеличения производительности рекомендуется ежедневно добавлять во входное воздушное отверстие 0,1-0,2 мл масла. Также для увеличения производительности можно применять устройства автоматической подачи смазки производства.

Добавление масла в ударный механизм

Для более полной информации смотрите Сервисные инструкции.

Для оптимальной производительности ударный механизм должен быть правильно заполнен маслом. Из-за возможных микроутечек масла ударному механизму может понадобиться добавление масла между регулярными осмотрами. Частота добавления зависит от вида работы, количества циклов включения-выключения, времени затяжки и т.д. Своевременное добавление масла увеличит межсервисный интервал.

Излишнее количество масла уменьшает частоту ударов и увеличивает время затяжки.

Недостаточное количество масла увеличивает частоту ударов, что может уменьшить момент затяжки. В частности, после первой затяжки после отключения инструмент может по инерции продолжить работать какое-то время.

Используйте гидравлическое масло: 22 cST / 40 C (ISO VG22).

Работа инструмента с недостаточным количеством масла может вывести из строя ударный механизм.

После добавления масла проверьте момент затяжки (см. Сервисные инструкции).

Защита от коррозии и внутренняя очистка

Вода в сжатом воздухе, пыль и отдельные частицы могут вызывать коррозию и загрязнение лопаток, клапанов и т.д., поэтому необходимо устанавливать воздушный фильтр как можно ближе к инструменту (см. раздел Качество воздуха). Перед длительным простоем инструмента добавьте несколько капель масла во входной воздушный клапан и запустите инструмент на 5-10 секунд, собирая масло в кусок ткани.

Сервисные инструкции

Рекомендуется проводить осмотр и планово-предупредительный ремонт инструмента раз в год или после 250.000 затяжек (что наступит раньше). При интенсивном использовании может понадобиться более частый осмотр. Если в работе инструмента появились отклонения от нормы, необходимо немедленно провести его проверку.

Фильтр на входе подключения воздуха и выхлопной глушитель должны периодически очищаться или заменяться во избежание засорения, которое может привести к падению производительности.

При осмотре все детали должны аккуратно очищаться, а неисправные или изношенные детали (уплотнительные кольца, лопатки и т.д.) заменяться.

- ⓘ Все уплотнительные кольца (особенно в ударном механизме) перед сборкой должны быть обработаны консистентной смазкой.

Разборка/сборка

Важно, чтобы резьбовые соединения были правильно затянуты в соответствии со спецификацией на схемах.

Очистка

Очищайте все детали (только не электрические) уайт-спиритом или подобным ему реагентом. Во избежание засорения и, таким образом, падения мощности очищайте по необходимости входной и выхлопной фильтры в межсервисные интервалы.

Проверка

После очистки проверьте все детали. Поврежденные и изношенные детали необходимо заменить.

Смазка

Смазывайте шестерни, клапана и муфту специальной консистентной смазкой, содержащей ди-сульфид молибдена (например, Molykote BR2 Plus). Перед сборкой обработайте смазкой уплотнительные кольца и резьбовые соединения.

Руководство по смазке

Марка	Подшипники общего назначения	Сцепление Редукторы	Воздушная смазка
BP	Energrease LS-EP2		Energol E46
Castrol	Spherol EP L2		
Esso	Beacon EP2		Arox EP46
Q8	Rembrandt EP2		Chopin 46
Mobil	Mobilegrease XHP 222		Almo Oil 525
Shell	Alvania EP2		Tonna R32
Texaco	Multifak EP2		Aries 32
Molykote		BR2 Plus	
Lubricating Engineers		Almagard-3752	

Запасные части

По техническим причинам детали без номера заказа отдельно не поставляются.

Использование иных запчастей, кроме оригинальных деталей производства Desoutter, может привести к ухудшению эксплуатационных характеристик инструмента и увеличению объема работ по техобслуживанию, а также, по усмотрению компании, может стать причиной аннулирования всех гарантий.

Технические данные

Номинальная скорость и диапазон крутящего момента

Номинальная скорость (об/мин)	2800
Диапазон крутящего момента (Нм)	160-240

Уровень шума и вибраций

Уровень шума согласно ISO15744	дБ
Уровень звукового давления	81
Определенный уровень акустической мощности	
Распространение в зависимости от метода работы	3

Уровень вибраций согласно ISO 8662-7	М/с ²
Значение вибраций	5.7
Распространение в зависимости от метода работы	1.6

Заявленные значения уровня шума и излучения колебаний

Эти значения были измерены исследовательской лабораторией в соответствии с действующими нормами, ни в коем случае они не могут быть использованы для оценки рисков. Значения,

замеренные на рабочих местах, могут превышать заявленные значения. Реальные значения подвержения воздействию внешних факторов и риска телесных повреждений, которые могут возникнуть вследствие подвержения воздействию колебаний, являются индивидуальными и зависят от манеры работы пользователя, обрабатываемой детали и ее формы, а также от времени подвержения воздействию внешних факторов и физических особенностей пользователя.

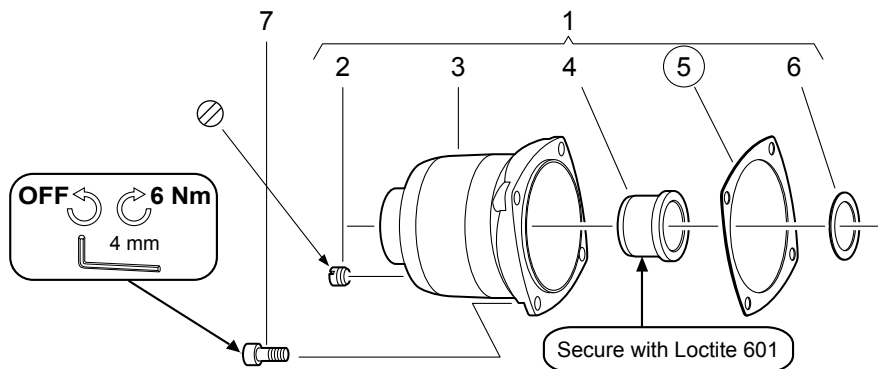
Компания Desoutter не несет ответственность за повреждения, нанесенные реальными значениями, превышающими заявленные значения, ввиду того что использование инструментов никак не может контролироваться компанией Desoutter.

Гарантия компании Desoutter

- 1) Компания Desoutter гарантирует отсутствие в данном изделии дефектов материалов и качества изготовления в течение 12 месяцев со дня его приобретения в компании Desoutter или у ее агентов, при условии что использование изделия в указанный период ограничено одной рабочей сменой в день. Если интенсивность использования выше, чем при односменной работе, гарантийный срок уменьшается на пропорциональной основе.
- 2) Если в течение гарантийного срока в изделии будут обнаружены дефекты материалов или качества изготовления, его следует вернуть в компанию Desoutter или ее агентам вместе с кратким описанием предполагаемых дефектов. Компания Desoutter, исключительно по своему усмотрению, обязана бесплатно отремонтировать или заменить детали, которые сочтены неисправными по причине дефектов материалов или качества изготовления.
- 3) Настоящая гарантия утрачивает свою силу в отношении изделий, подвергшихся ненадлежащему обращению, использованию не по назначению, модификации или ремонту с применением иных запчастей, помимо оригинальных запчастей компании Desoutter или силами иных специалистов, помимо специалистов компании Desoutter или ее уполномоченных агентов по обслуживанию.
- 4) Если компания Desoutter понесет какие-либо расходы при устранении дефекта, возникшего в результате ненадлежащего обращения, использования не по назначению, случайного повреждения или несанкционированной модификации изделия, она вправе потребовать от заказчика оплатить эти расходы в полном объеме.
- 5) Компания Desoutter не принимает претензии в связи с затратами труда или иными затратами, возникшими по причине дефектных изделий.
- 6) Ответственность за любые прямые, побочные или косвенные убытки, возникшие в результате любого дефекта, категорически исключается.
- 7) Настоящая гарантия заменяет собой все другие гарантии или условия, как прямые, так и подразумеваемые, в отношении качества, товарного состояния или пригодности для какой-либо конкретной цели.
- 8) Никто, в том числе агенты, служащие и сотрудники компании Desoutter, не вправе добавлять или изменять условия данной ограниченной гарантии каким-либо образом.

Exploded views/tables

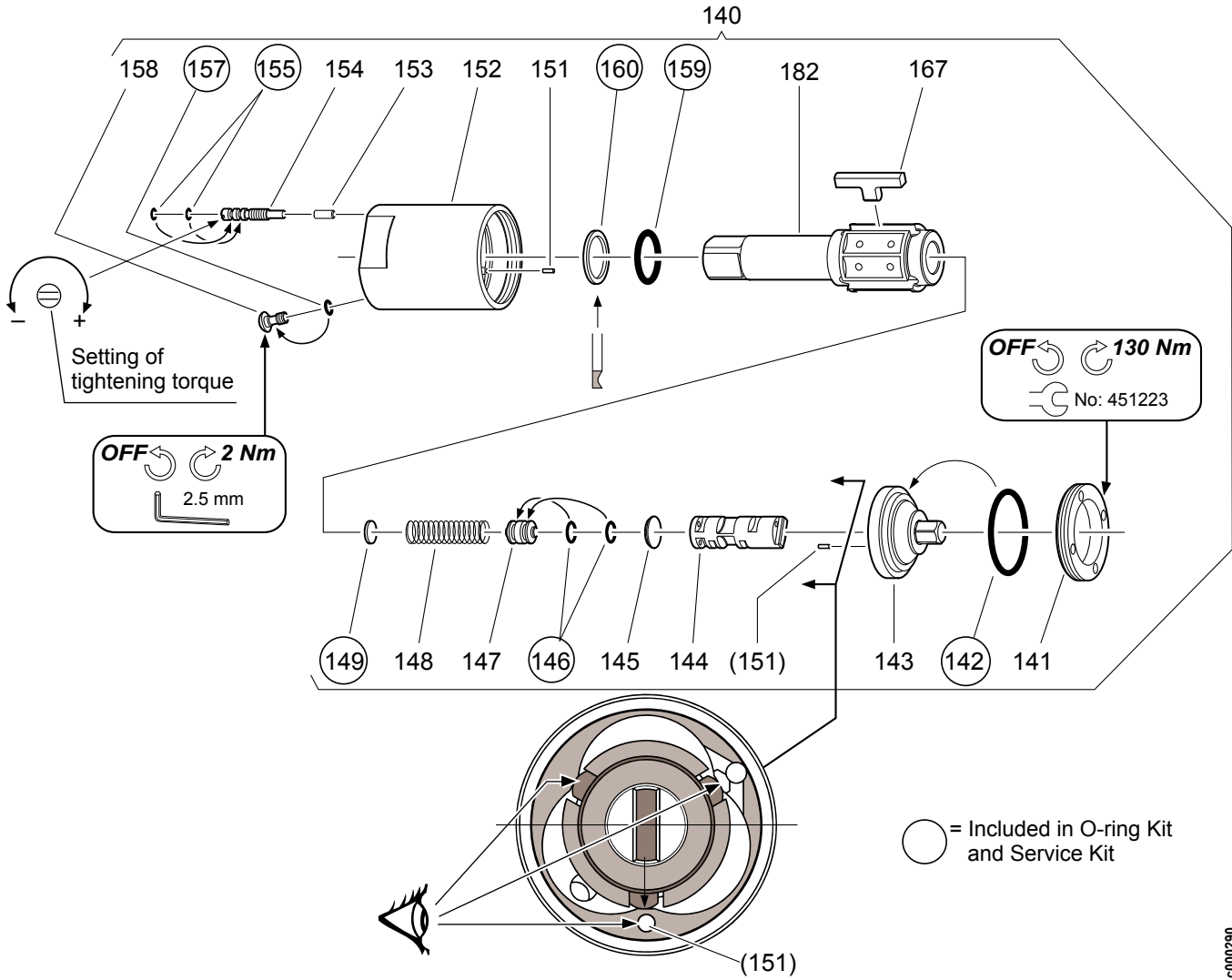
Pulse unit housing



c000301

Ref. No.	Ordering No.	Qty	Description	Remark / Included in Service kit
1(2-6)	2050 5024 33	1	Pulse unit housing, compl.	
2	4536 43	1	Plug	
3	-	1	Pulse unit housing	
4	4536 83	1	Bushing	
5	-	1	Gasket	Service kit 2050 5136 23
6	4595 03	1	Washer	25x35x0.3
7	2050 5136 13	4	Screw	M5x12

Pulse unit

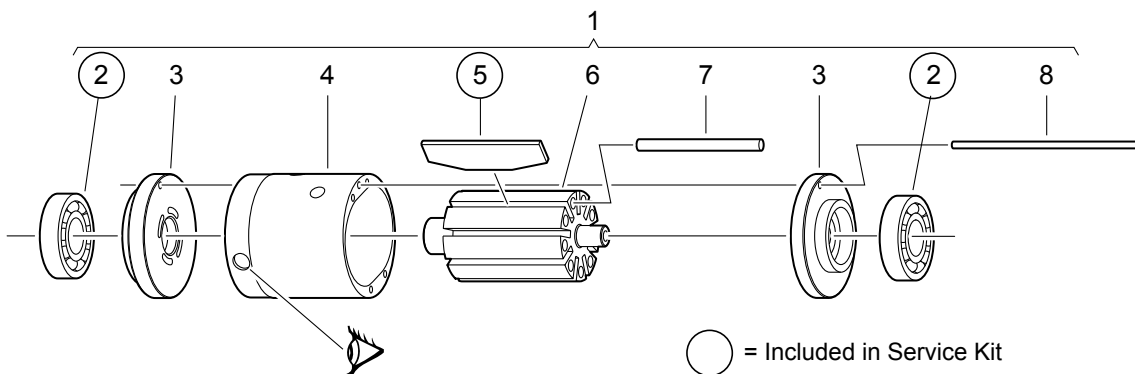


c000290

Ref. No.	Ordering No.	Qty	Description	Remark / Included in Service kit
140(141-182)	2050 5113 03	1	Pulse unit	3/4" square drive. Oil included
141	4531 63	1	Ring screw	
142	-	1	O-ring	48x2.5 Viton / Service kit 2050 5136 23, O-ring kit 2050 5136 33
143	2050 5113 13	1	Cover	
144	2050 5113 23	1	Cam shaft	
145	2050 5113 33	1	Washer	
146	-	2	O-ring	5.1x1.6 Viton / Service kit 2050 5136 23, O-ring kit 2050 5136 33
147	2050 5095 43	1	Plunger	
148	2050 5095 53	1	Spring	
149	-	1	Filter	Service kit 2050 5136 23, O-ring kit 2050 5136 33
151	4498 43	1	Pin	3x10
152	2050 5113 43	1	Cylinder	
153	4535 43	1	Valve	
154	4535 33	1	Adjustment screw	
155	-	2	O-ring	5.1x1.6 Viton / Service kit 2050 5136 23, O-ring kit 2050 5136 33
157	-	1	O-ring	3.1x1.6 Viton / Service kit 2050 5136 23, O-ring kit 2050 5136 33
158	4536 33	1	Plug	
159	-	1	O-ring	24.2x3 Viton / Service kit 2050 5136 23, O-ring kit 2050 5136 33
160	-	1	Support ring	25/30Hytral / Service kit 2050 5136 23, O-ring kit 2050 5136 33
167	2050 5113 53	3	Vane	
182	2050 5113 63	1	Anvil	3/4" sq



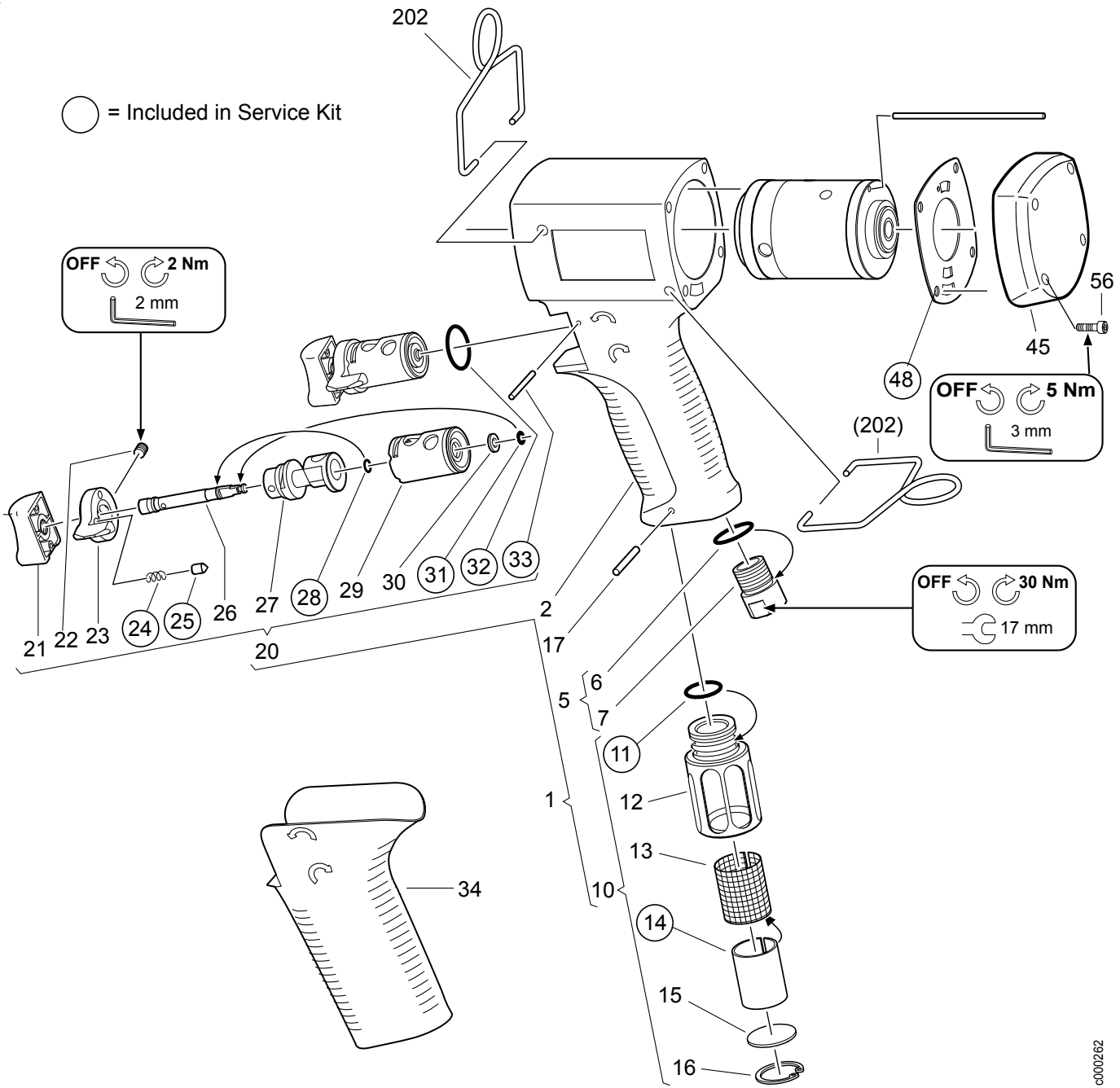
Motor



1001570

Ref. No.	Ordering No.	Qty	Description	Remark / Included in Service kit
1(2-8)	2050 5136 53	1	Motor compl.	
2		2	Ball bearing	16004 / Service kit 2050 5136 23
3	2050 5114 03	2	Cylinder plate	
4	2050 5113 83	1	Cylinder	
5		9	Vane	Service kit 2050 5136 23
6	2050 5113 93	1	Rotor	
7	2050 5136 63	1	Plug	
8	2050 5113 73	1	Pin	

Motor Casing



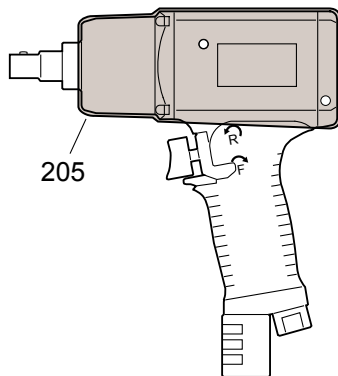
c000262

Ref. No.	Ordering No.	Qty	Description	Remark / Included in Service kit
1(2-33)	2050 5023 93	1	Motor casing, compl.	
2	-	1	Motor casing	
5(6-7)	2050 5130 03	1	Adapter compl.	R3/8". With NPT-thread (for the US and Canada) 2050 5038 73
6	4506 83	1	O-ring	15,1x1,6
7	-	1	Adapter	
10(11-16)	2050 5135 23	1	Silencer, compl.	
11	-	1	O-ring	13.1x1.6 / Service kit 2050 5136 23
12	-	1	Silencer	
13	2050 5114 23	1	Wire netting	
14	-	1	Filter	Service kit 2050 5136 23
15	-	1	Cover	
16	2050 5018 83	1	Circlip	SgH23
17	2050 5013 33	1	Pin	N2.5x20
20(21-33)	2050 5099 43	1	Valve, compl.	
21	4538 63	1	Push button	

Ref. No.	Ordering No.	Qty	Description	Remark / Included in Service kit
22	4594 43	1	Stop screw	SK6SS 4x5
23	2050 5081 73	1	Reversing knob	
24	-	1	Spring	Service kit 2050 5136 23
25	-	1	Retainer pin	Service kit 2050 5136 23
26	2050 5084 33	1	Valve pin	
27	2050 5099 53	1	Reversing valve	
28	-	1	O-ring	3.6x1 / Service kit 2050 5136 23
29	2050 5099 63	1	Valve sleeve	
30	2050 5016 43	1	Washer	
31	-	1	O-ring	2x1.5 / Service kit 2050 5136 23
32	-	1	O-ring	18.4x1.78 / Service kit 2050 5136 23
33	-	1	Pin	NRA 2x24.8 / Service kit 2050 5136 23
34	2050 5042 33	1	Rubber cover	
45	2050 5114 33	1	Cover	
48	-	1	Gasket	Service kit 2050 5136 23
56	2050 5136 13	4	Screw	M5x12
202	4526 13	1	Suspension yoke	Accessory Included
	2050 5090 03	1	Hose nipple	12.5mm (1/2") Accessory included

Optional accessory

Protective cover



1000860

Ref. No.	Ordering No.	Qty	Description	Remark / Included in Service kit
205	2050 5132 73	1	Protective cover	

Service Kits

Service Kit

Ordering No. 2050 5136 23

Ordering No.	Qty	Description	Remark / Included in Service kit
-	2	Ball bearing	16004
-	1	Pin	2x24,8
-	1	Support ring	25x30
-	1	O-ring	18,4x1,78
-	1	O-ring	48x2,5
-	1	O-ring	2x1,5
-	1	O-ring	24,2x3
-	1	O-ring	13,1x1,6
-	1	O-ring	3,1x1,6
-	4	O-ring	5,1x1,6
-	1	O-ring	3,6x1
-	1	Spring	
-	1	Retainer pin	
-	1	Gasket	

Part no	2050505743	
Issue no	3	
Series no	C	
Date	2015-03	
Page	52	

Ordering No.	Qty	Description	Remark / Included in Service kit
-	1	Gasket	
-	1	Filter	
-	1	Filter	
-	9	Vane	

Kit for a variety of products. Some parts might remain unused.

Oil filling Kit (4578 83)

Ordering No. 4578 83

Ordering No.	Qty	Description	Remark / Included in Service kit
-	1	Oil	150 ml
-	1	Syringe	1 ml

O-ring Kit

Ordering No. 2050 5136 33

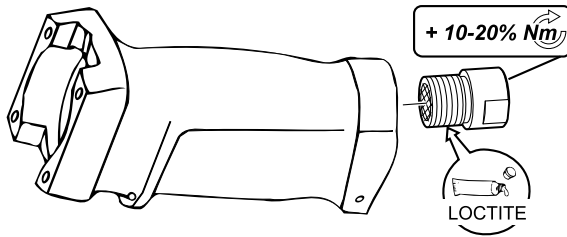
Ordering No.	Qty	Description	Remark / Included in Service kit
-	1	Support ring	25x30
-	1	O-ring	48x2.5
-	1	O-ring	24.2x3
-	1	O-ring	3.1x1.6
-	4	O-ring	5.1x1.6
-	1	Filter	

General

Tightening of threaded connections

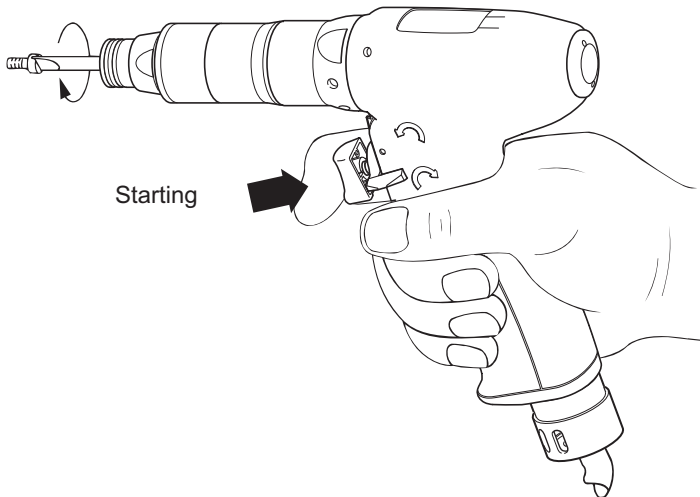
The tightening torques indicated in the spare parts list are established to achieve the correct clamping force and to prevent the parts from coming loose. When serviced these parts must be able to open up without being destroyed. In special circumstances (depending on application and usage) the parts may however come loose after some time of operation. In such cases the torque could be increased 10-20% and if necessary some type of low or medium threadlocking fluid could also be applied.

Example

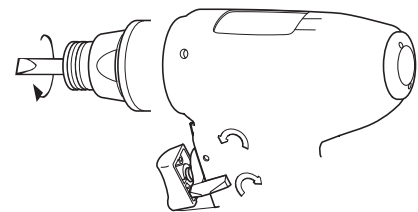


s002150

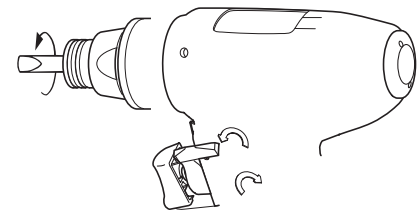
Operating Instructions



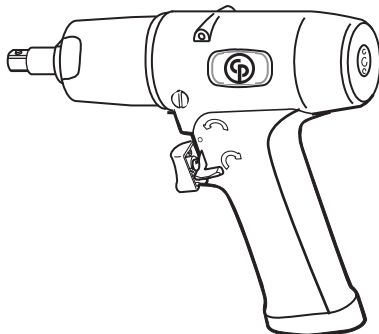
Forward



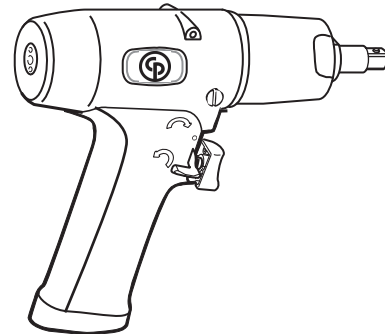
Reversing



Position of reversing knob when used by right-handed



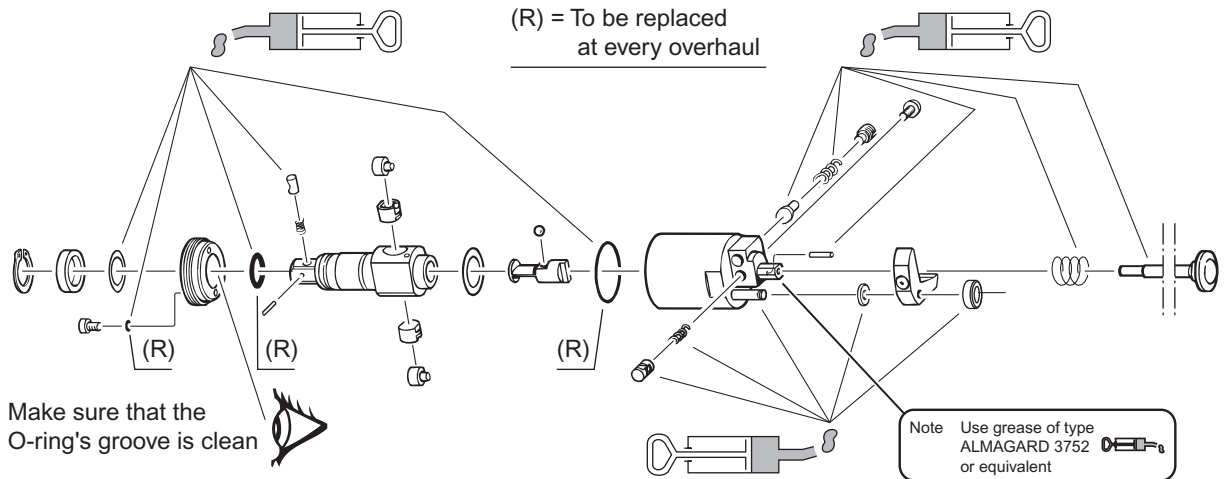
Position of reversing knob when used by left-handed



cs000190

Part no	2050505743
Issue no	3
Series no	C
Date	2015-03
Page	54

Inspection and lubrication of pulse unit

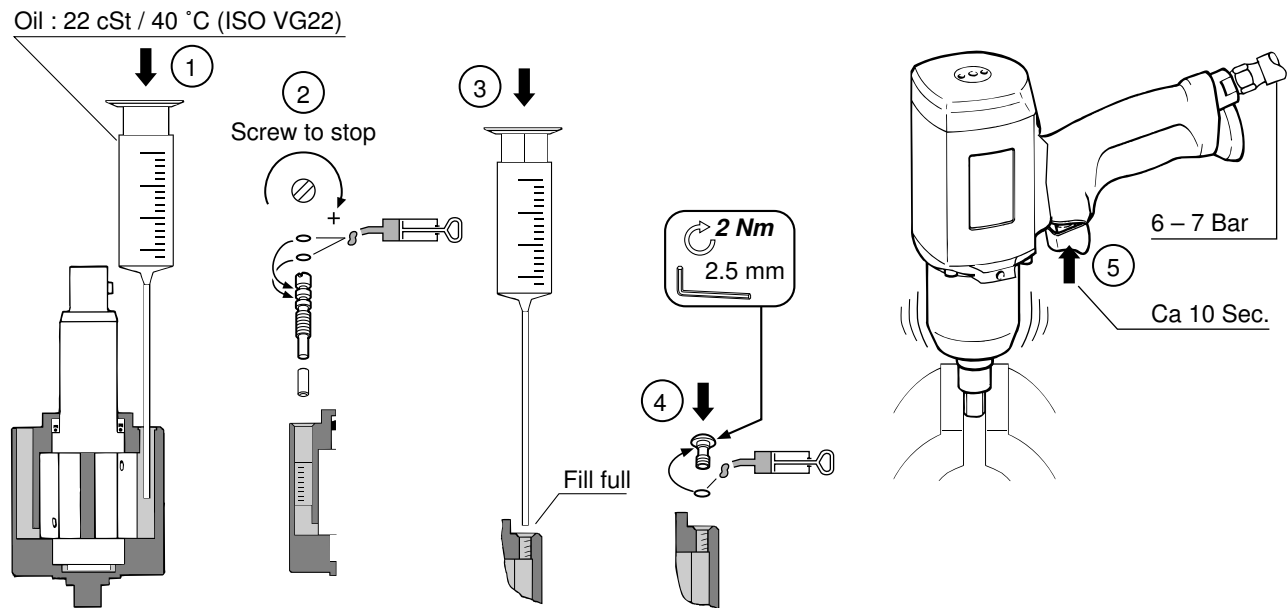


s000710

To fill the pulse unit with oil

Due to a possible microleakage of oil from the pulse unit, it could be necessary to refill the unit between the regular overhaul intervals. The frequency of this procedure depends on the type of application, number of cycles, tightening time etc. An indication of not enough oil is a decreased tightening torque and an increased pulse frequency. (See "Test after service")

After disassembly of pulse unit, fill with oil according to operation No. 1-3 below. Run the machine in a vice for 10 seconds according to operation No. 5 below. Then continue according to operation No. 6-11. For best performance use Hydraulic Oil 22 cSt/40° C (ISO VG22).



s004910



To refill the pulse unit

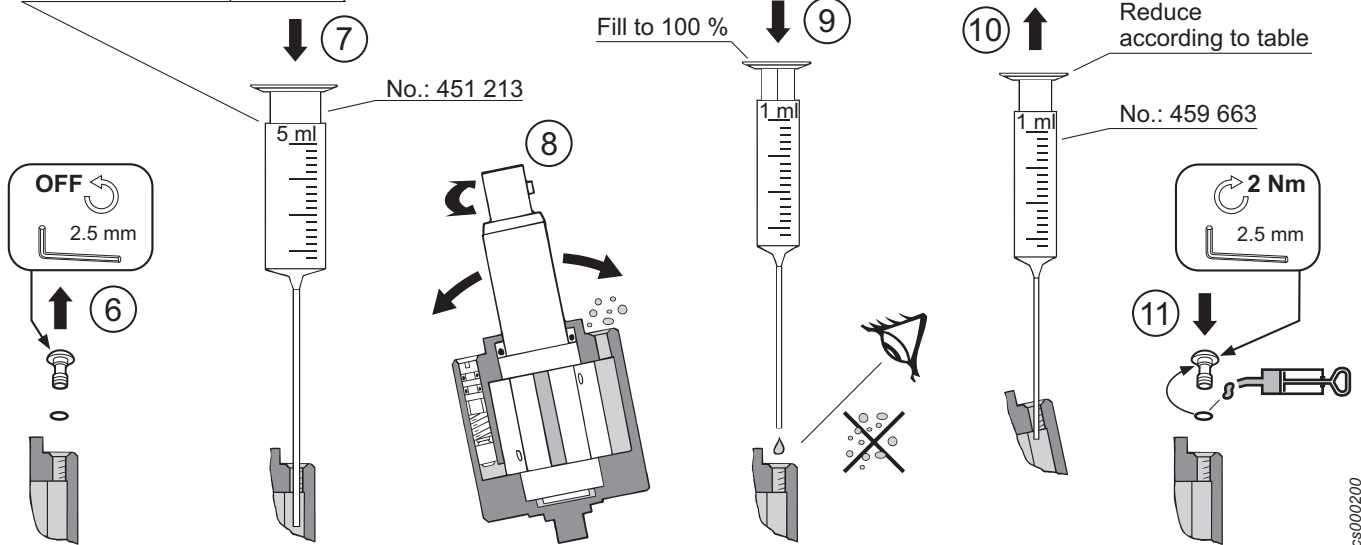
Keep the pulse unit at normal room temperature.

- ⓘ Before the refill: Let the bubbles in the oil fade away, at least 30 min. after last run.
Check that there are no bubbles in the oil and that the pulse unit is completely full (100%) before reducing the oil volume according to operation No. 10.

Correct oil quantity: Fill to 100%, then reduce according to table. After the refill - check the tightening torque, and pulse frequency according to test methods.

Oil volume to be reduced from 100%	Approx. oil volume in pulse-unit
1,3 ± 0,05 ml	36ml

Oil : 22 cSt / 40 °C (ISO VG22)



cs000200

Dismantling/inspection/assembly

Instructions for vane motor

Dismantling

4511 23

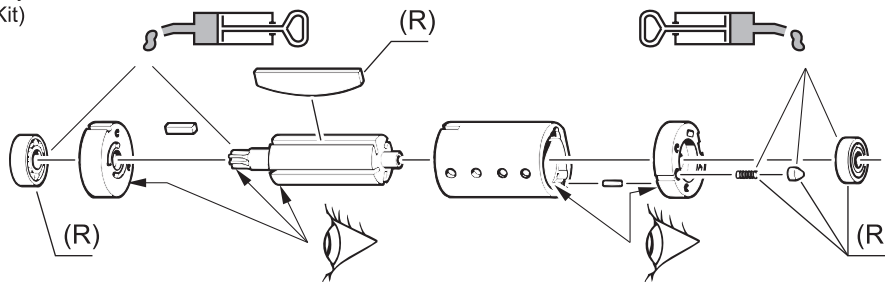
A

Dismantling tool Mandrel A

Ordering No.	Ø D	Ø C	For tool
4509 73	26	20.5	PT031
4509 83	30	25.5	PT010/PT014/PT052
4509 93	35	30.5	PT025/PT040/PT070 T6000
4510 13	40	35.5	PT070 T4000/PT110
4510 33	47	40.5	PT125/PT160

Inspection and lubrication

(R) = To be replaced at every overhaul
(included in Service Kit)



Assembly

4509 53
Check the clearance:
0.02 - 0.03 mm

B

Assembly tool Mandrel B

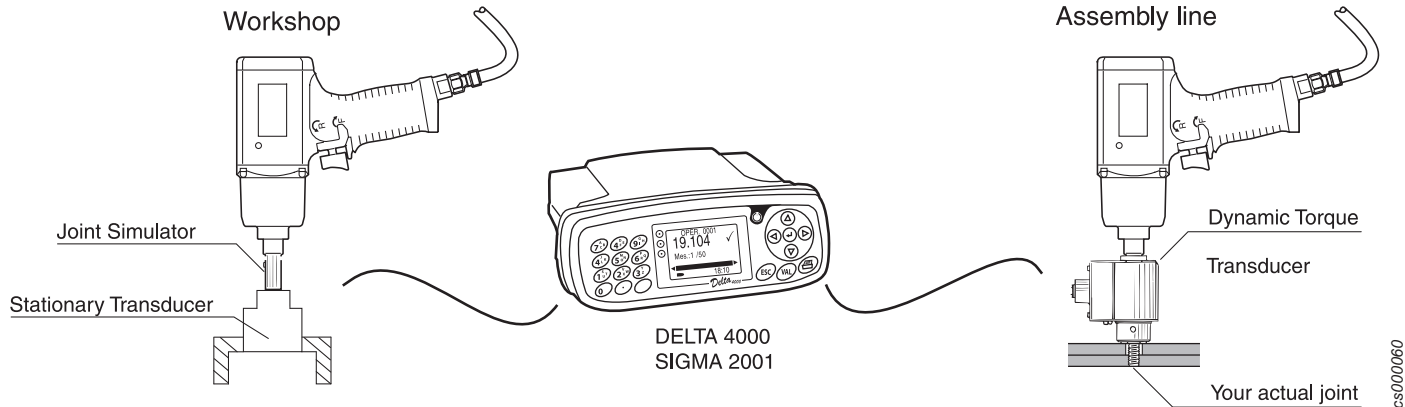
Ordering No.	Ø D	Ø C	For tool:	
			Front bearing	Rear bearing
4511 63	15.5	5.2	PT052/PT031	-----
4540 43	18.5	8.2	PT010/PT014	PT052/PT031
4540 43	18.5	8.2	PT160/PT110	-----
2050 5145 33	21.5	7.2	PT070 T6000	-----
4595 93	25.5	10.5	PT025/PT040	PT010/PT014
4596 03	27.5	12.5	PT125/	PT025/PT040
4596 03	27.5	12.5	PT070 T4000	PT070 T6000
4596 13	31.5	15.5	-----	PT125/PT110
4596 13	31.5	15.5	-----	PT070 T4000
2050 5145 13	34.5	18.5	PT250	PT250/PT160

Ball bearing

cs000070

Testing/measuring

Static measurement / Dynamic measurement



Joint Simulator for Static Transducer

Part Number	Model	Transducer	Thread
615 910 927 0	ACS5.01	ST4001	M5
615 910 928 0	ACS6.05	ST4005	M6
615 910 929 0	ACS6.10	ST4010	M6
615 910 930 0	ACS8.05	ST4005	M8
615 910 931 0	ACS8.10	ST4010	M8
615 910 932 0	ACS10.10	ST4010	M10
615 910 933 0	ACS10.50	ST4050	M10
615 910 934 0	ACS10.50	ST4050	M12
615 910 935 0	ACS10.50	ST4050	M16

Stationary Transducer

Part Number	Model	Torque Range Nm	Torque Range ft.lb
615 165 141 0	ST4001	1-15	0,7-11,1
615 165 142 0	ST4005	5-70	3,7-51,6
615 165 143 0	ST4010	10-150	7,4-110,5
615 165 144 0	ST4050	50-700	36,8-516

In Static as well as Dynamic measurement, it is advised to double check by the use of a Dial Indicating Torque Wrench* (direct reading) or a Torsion Static Torque Wrench** (connected to the Delta 4000 or Sigma 2001).

For further information regarding our complete measurement range, see our general catalogue.

Torque Transducer

Part Number	Model	Torque Range Nm	Torque Range ft.lb
615 165 211 0	DRT 4 H 20	1,5-20	1,11-14,7
615 165 212 0	DRT 4 Sq 20	1,5-20	1,11-14,7
615 165 213 0	DRT 4 Sq 25	1,8-25	1,33-18,4
615 165 214 0	DRT 4 Sq 75	5,0-75	3,69-55,3
615 165 215 0	DRT 4 Sq 180	12,0-180	8,85-132
615 165 216 0	DRT 4 Sq 500	35,0-500	25,8-368

cs000006

Part no	2050505743	
Issue no	3	
Series no	C	
Date	2015-03	
Page	58	

Dial Indicating Torque Wrenches*

Part Number	Model	Torque Range metric	Torque Range imperial
81972	TW-13	0,5-13,5 Nm	4-120 lbf in
81982	TW-27	1-27 Nm	1-20 lbf ft
81992	TW-80	6-80 Nm	5-60 lbf ft
82002	TW-160	10-160 Nm	7,4-120 lbf ft

Torsion Static Torque Wrenches**

Part Number	Model	Torque Range metric	Torque Range imperial
615 165 146 0	CD4001	1-15 Nm	0,7-11 lbf in
615 165 147 0	CD4005	5-70 Nm	3,7-51,6 lbf ft
615 165 148 0	CD4010	10-150 Nm	7,4-110,5 lbf ft
615 165 149 0	CD4050	50-700 Nm	36,8-516 lbf ft
615 165 150 0	CD4101	100-1500 Nm	73,7-1105 lbf ft

Test conditions

Temperature pulse unit: approx. 20° C.

Air pressure: 6,3 bar (90psi) dynamic

Hose size: 10 mm Hose length: 3 m

The tool should achieve the following values after maintenance:

Model	Free speed (r.p.m)	Pulse frequency (Hz)	Min. Torque (Nm)
PT240-T2800-I19S	3400	20-24	160-240

Correct pulse frequency indicates that the air motor and the pulse unit are in good condition. If the pulse frequency is too high - add oil. If the pulse frequency is too low - reduce oil.



**WARNING - ATTENTION - WARNUNG - ATENCIÓN - ATENÇÃO - ATTENZIONE -
WAARSCHUWING - ADVARSEL - ADVARSEL - VAROITUS - VARNING - ΠΡΟΕΙΔΟΠΟΙΗΣΗ -
ПРЕДУПРЕЖДЕНИЕ**



EL

ΓΙΑ ΝΑ ΠΕΡΙΟΡΙΣΤΕΙ Ο ΚΙΝΔΥΝΟΣ ΤΡΑΥΜΑΤΙΣΜΟΥ, ΠΡΙΝ ΑΠΟ ΤΗ ΧΡΗΣΗ Η ΤΗ ΣΥΝΤΗΡΗΣΗ ΤΟΥ ΕΡΓΑΛΕΙΟΥ, ΝΑ ΔΙΑΒΑΣΕΤΕ ΚΑΙ ΝΑ ΚΑΤΑΝΟΗΣΕΤΕ ΤΙΣ ΠΑΡΑΚΑΤΩ ΠΛΗΡΟΦΟΡΙΕΣ, ΚΑΘΩΣ ΚΑΙ ΤΙΣ ΟΔΗΓΙΕΣ ΓΙΑ ΤΗΝ ΑΣΦΑΛΕΙΑ ΠΟΥ ΔΙΝΟΝΤΑΙ ΞΕΧΩΡΙΣΤΑ (ΚΩΔΙΚΟΣ ΕΙΔΟΥΣ: 2050502163)

RU

ЧТОБЫ СНИЗИТЬ РИСК ТРАВМИРОВАНИЯ, ПЕРЕД ИСПОЛЬЗОВАНИЕМ УСТРОЙСТВА ИЛИ ПРОВЕДЕНИЕМ ЕГО ТЕХНИЧЕСКОГО ОБСЛУЖИВАНИЯ ПРОЧИТАЙТЕ И РАЗБЕРИТЕСЬ В СОДЕРЖАНИИ СЛЕДУЮЩЕЙ ИНФОРМАЦИИ, А ТАКЖЕ ИНСТРУКЦИЙ ПО БЕЗОПАСНОСТИ, ПОСТАВЛЯЕМЫХ ОТДЕЛЬНО (КОД: 2050502163)