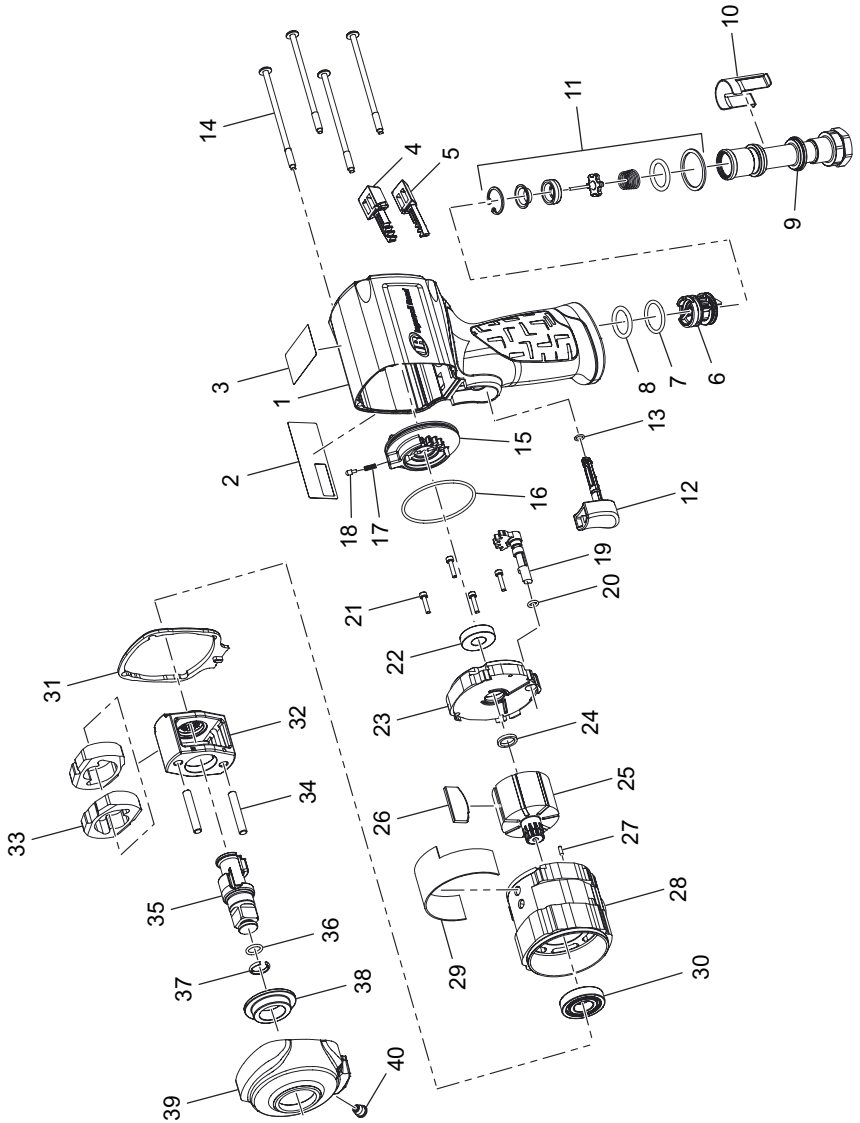


35MAX and 15QMAX Air Impacttools™ - Exploded View



(Dwg. 47520207001)



35MAX and 15QMAX Air Impacttools™ - Parts List

Item	Part Description	Part Number	(CCN)	Item	Part Description	Part Number	(CCN)
*	Housing Assembly	--	--	26	Vane Pack (set of 7)	35-42-7	(47562153001)
	for 35MAX	35MAX-A40	(47562149001)	*	Cylinder Assembly	35-A3	(47562157001)
	for 15QMAX	15QMAX-A40	(47562150001)	27	Motor Alignment Pin	--	--
1	Housing	--	--	28	Cylinder	--	--
2	Nameplate Label	--	--	29	Silencer (for 15QMAX)	15Q-311	(47559331001)
	for 35MAX	35MAX-300	(47533612001)	30	Ball Bearing, Front	4U-97	(03070927)
	for 15QMAX	15QMAX-300	(47524478001)	31	Gasket, Hammer Case	35-36	(47524968001)
3	Warning Label	WARNING-27-99	(04666855)	*	Hammer Mechanism Kit	35-THK1	(47562154001)
*	Button Kit	35-K75	(47562151001)	32	Hammer Frame	--	--
4	Forward Button	--	--	33	Hammer (2 required)	35-724	(47520211001)
5	Reverse Button	--	--	34	Hammer Pin (2 required)	--	--
*	Reverse Valve Assembly	2131-A329	(04167896)	*	Anvil Assembly	--	--
6	Reverse Valve	--	--		for 35MAX (1/2" drive)	35-A726	(47533613001)
7	O-Ring, Reverse Valve (Bottom-Blue)	--	--		for 15QMAX (3/8" drive)	15-A626	(47539292001)
8	O-Ring, Reverse Valve (Top-Black)	--	--	35	Anvil	--	--
*	Inlet Bushing Assembly	2135-D565A	(45531787)	*	Socket Retainer Kit	--	--
9	Inlet Bushing	--	--		for 35MAX (1/2" drive)	2125QT1-K425	(80107733)
10	Inlet Clip	2131-57	(04167862)		for 35MAX (1/2" drive, 10-pack)	2125QT1-K425-10	(47517616001)
11	Inlet Parts Kit	2135-K303	(45535051)		for 15QMAX (3/8" drive)	1702-K425	(47533407)
	Washer	--	--	36	O-Ring	--	--
	O-Ring	--	--	37	Socket Retainer	--	--
	Throttle Spring	--	--	*	Hammer Case Assembly	35-D727	(47533633001)
	Throttle Valve	--	--	38	Bushing, Hammer Case	--	--
	Valve Seat	--	--	39	Hammer Case	--	--
	Seat Support	--	--	40	Grease Fitting	131-188	(04700878)
	Retainer	--	--	*	Tune-Up Kit	35-TK1	(47562155001)
*	Trigger Assembly	2135-D93	(80096704)	7	O-Ring, Reverse Valve (Bottom-Blue)	--	--
12	Trigger	--	--	8	O-Ring, Reverse Valve (Top-Black)	--	--
13	O-Ring, Trigger	--	--	11	Inlet Parts Kit	--	--
14	Screw, Hammer Case (4 required)	2115-638	(80126170)	16	O-Ring, Regulator Knob	--	--
*	Power Regulator Kit	35-K249	(47562152001)	20	O-Ring, Regulator Valve	--	--
15	Regulator Knob	--	--	27	Vane Pack (set of 7)	--	--
16	O-Ring, Regulator Knob	--	--	30	Ball Bearing, Front	--	--
17	Spring	--	--	31	Gasket, Hammer Case	--	--
18	Spring Cap	--	--	*	Inlet Clip Removal Tool	2131-322	(04263745)
19	Regulator Valve	--	--	*	Air Care Kit (grease gun, grease, oil)	105-LBK1	(04616090)
20	O-Ring, Regulator Valve	--	--	*	Grease (replacement tube for -LBK1)	105-4T	(04616116)
21	Screw, Motor (4 required)	35-639	(47524480001)	*	Air Tool Oil (4 oz. bottle)	10Z4	(03875671)
*	Rotor Assembly	35-A53	(47562156001)	*	Grease (1 lb can)	105-1LB	(04279147)
22	Ball Bearing, Rear	--	--	*	Grease (8 lb can)	105-8LB	(04264875)
23	End Plate	--	--		Grease Gun	R000A2-228	(03095015)
24	Spacer	--	--		Protective Tool Boot	35-BOOT	(47555720001)
25	Rotor	--	--				

* Indicates Not Illustrated.

Parts and Maintenance

When tool life has expired, it is recommended that the tool be disassembled, degreased and parts separated by material for proper recycling.

Tool repair and maintenance should only be carried out by an authorized Service Center.

Refer all communications to the nearest **Ingersoll Rand** office or distributor.

Related Documentation

Manuals can be downloaded from ingersollrandproducts.com

For additional information, refer to:

Product Safety Information Manual 04580916.

Product Information Manual 47535589001.

