

## SC2

NON SHUT OFF - PUSH START

<b>SC2-065A500-R4Q</b>	2051472724
<b>SC2-055A700-R4Q</b>	2051472734
<b>SC2-045A1000-R4Q</b>	2051472744
<b>SC2-035A1500-R4Q</b>	2051472754
<b>SC2-025A2200-R4Q</b>	2051472764



### WARNING



**(EN)** To reduce the risk of injury, before using or servicing tool, read and understand the following information as well as separately provided safety instructions (Item number: 370273). 20

**(FR)** **AVERTISSEMENT**  
 Avant toute utilisation ou intervention sur l'outil, veillez à ce que les informations suivantes ainsi que les instructions fournies dans le guide de sécurité (Code article : 370273) aient été lues, comprises et respectées. 23

**(ES)** **ADVERTENCIA**  
 Antes de utilizar la herramienta o intervenir sobre ella, asegúrense de que la información que figura a continuación, así como las instrucciones que aparecen en la guía de seguridad (Código artículo: 370273) han sido leídas, entendidas y respetadas. 26

**(DE)** **WARNUNG**  
 Werkzeuge erst benutzen, wenn die nachstehenden Hinweise und die Regeln des **Zampini Industrial Group** (Item-Nr. 370273) gelesen und verstanden wurden. 29

**WARNING**

<b>IT</b>	<b>AVVISO</b> Prima di qualsiasi utilizzazione o intervento sull'attrezzo, verificate che le informazioni che seguono e le istruzioni contenute nella guida di sicurezza (Codice articolo: 370273) siano state lette, comprese e rispettate.	32
<b>PT</b>	<b>AVISO</b> Antes de utilizar ou intervir na ferramenta, leia atentamente e respeite as informações seguintes assim como as instruções fornecidas no manual de segurança (Código artigo: 370273).	35
<b>FI</b>	<b>VAROITUS</b> Lue huolellisesti seuraavat ohjeet samoin kuin turvallisuusohjeet (Tuotekoodi : 370273) ennen työkalun käyttöönottoa.	38
<b>SV</b>	<b>WARNING</b> Läs noga igenom dessa säkerhetsinstruktioner liksom anvisningarna i säkerhetsguiden (Artikelkod: 370273) innan du börjar använda verktyget.	41
<b>NO</b>	<b>ADVARSEL</b> Før enhver bruk eller reparasjon av verktøyet skal de følgende instruksjonene og forskriftene i sikkerhetsheftet (artikkelnummer: 370273) leses nøye.	44
<b>DA</b>	<b>VARELSE</b> Læs omhyggeligt, forstå og overhold disse instruktioner samt sikkerhedsforskrifterne (Varenummer: 370273), inden værktøjet tages i brug eller repareres.	47
<b>NL</b>	<b>WAARSCHUWING</b> Voor gebruik of demontage van het gereedschap altijd eerst zekerstellen dat de navolgende informatie evenals de geleverde veiligheidsinstructies (Code artikel: 370273) gelezen, begrepen en in acht genomen zijn.	50
<b>EL</b>	<b>ΠΡΟΕΙΔΟΠΟΙΗΣΗ</b> Πριν από οποιαδήποτε χρήση ή επέμβαση στο εργαλείο, διαβάστε προσεκτικά, κατανοήστε και τηρήστε τις παρακάτω πληροφορίες, καθώς και τις οδηγίες που περιλαμβάνονται στο εγχειρίδιο ασφαλείας (Κωδικός προϊόντος: 370273).	53
<b>ZH</b>	<b>警告</b> 为降低被伤害的风险，在使用或维修工具之前，请阅读并理解以下信息及单独提供的安全说明（项目号：370273）	56
<b>HU</b>	<b>VIGYÁZAT</b> A szerszám használatá vagy bármilyen más beavatkozás előtt a felhasználónak el kell olvasnia, meg kell értenie és a használat vagy beavatkozás során be kell tartania a következő, valamint a biztonsági útmutatóban (cikkszám: 370273) szereplő utasításokat.	59
<b>LV</b>	<b>BRĪDINĀJUMS</b> Lai mazinātu bīstamību, pirms apkopes instrumenta lietošanas jāizlasa un jāizprot turpmākā informācija, kā arī atsevišķi dotie drošības tehnikas noteikumi (preces numurs: 370273).	62
<b>PL</b>	<b>OSTRZEŻENIE</b> Przed podjęciem użytkowania przyrządu czy jakichkolwiek działań z nim związanych – należy upewnić się, że instrukcje dostarczone razem z podręcznikiem d/s bezpieczeństwa (Kod urządzenia: 370273) zostały przeczytane, zrozumiane i będą przestrzegane.	65

**WARNING**

<b>CZ</b>	<b>VAROVÁNÍ</b> Aby nedošlo ke zranění, seznámte se před použitím či údržbou nástroje s následujícími informacemi a zvláště dodávanými bezpečnostními pokyny (kat.č. 370273).	 68
<b>SK</b>	<b>UPOZORNENIE</b> Aby sa znížilo riziko poranenia, prečítajte si nasledujúce informácie, ako aj osobitne priložené bezpečnostné opatrenia (položka číslo 370273) a snažte sa im porozumieť.	 71
<b>SL</b>	<b>OPOZORILO</b> Zaradi morebitnih poškodb, pred uporabo ali servisiranjem orodja, preberite in upoštevajte naslednje informacije, kakor tudi posebej priložena varnostna navodila (postavka št.: 370273).	 74
<b>LT</b>	<b>ĮSPĖJIMAS</b> Siekiant sumažinti sužeidimo pavojų, prieš naudodami arba taisydami įrankį perskaitykite ir įsidėmėkite toliau išdėstyta informacija, o taip pat ir atskirai pateiktas saugos instrukcijas (dalies numeris: 370273).	 77
<b>RU</b>	<b>ПРЕДУПРЕЖДЕНИЕ</b> До использования или вмешательства на инструменте необходимо прочитать, усвоить и соблюдать нижеследующую информацию, а также указания, приведенные в пособии по технике безопасности (Артикул товара : 370273).	 80



**Find more information and your Desoutter contacts on:**

---

[www.desouttertools.com](http://www.desouttertools.com)

**Software and documentation available at:**

---

<http://resource-center.desouttertools.com>

*No login/password required.*

## IDENTIFICATION

Week n°

XXDXXX-XXXX

Serial n° Year of manufacture

Part no. 61599  
Issue n. 10  
Date 02/201  
Page 1 / 10

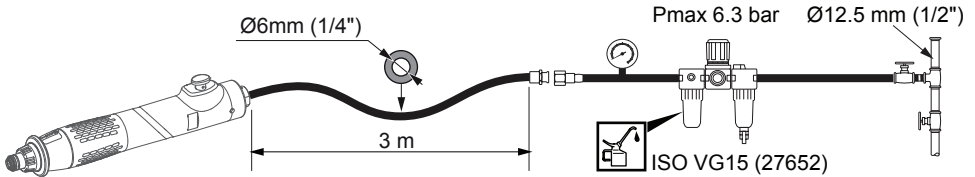
SC2XXX XX 39X004-2008A 1000 rpm - 6.3bar/90psig

Tool ref. Serial n° Speed

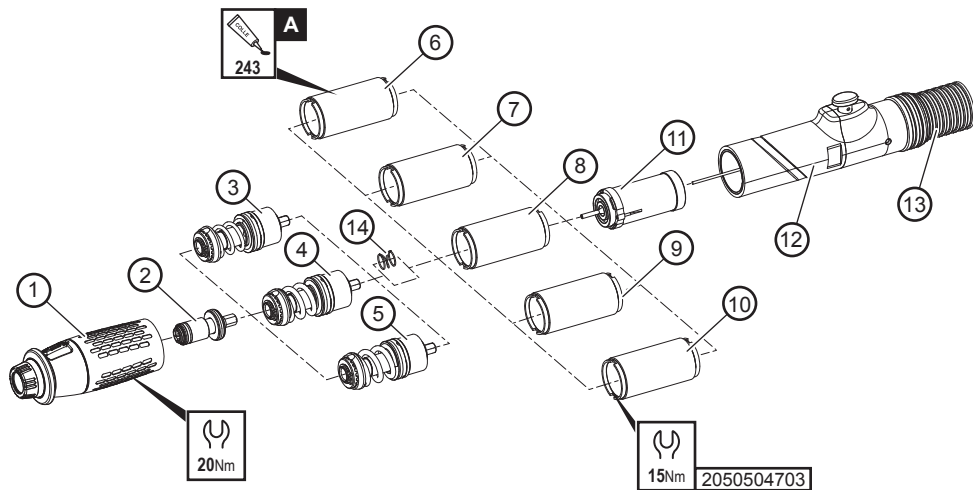
## TECHNICAL DATA

Models	Tool ref.	Weight (Kg)	Working pressure (bar)	Free Speed (rpm)	Torque range (Nm)	Fitted spring (Nm)	Output hex (in.)
SC2-065A500-R4Q	2051472724	0.69	6.3	480	0.5 - 6.5	3 - 6.5	1/4
SC2-055A700-R4Q	2051472734			700	0.5 - 5.5	3 - 5.5	1/4
SC2-045A1000-R4Q	2051472744			1000	0.5 - 4.5	1.7 - 4.5	1/4
SC2-035A1500-R4Q	2051472754			1450	0.5 - 3.5	1.7 - 3.5	1/4
SC2-025A2200-R4Q	2051472764			2200	0.5 - 2.5	0.5 - 2.5	1/4

Fig. 1



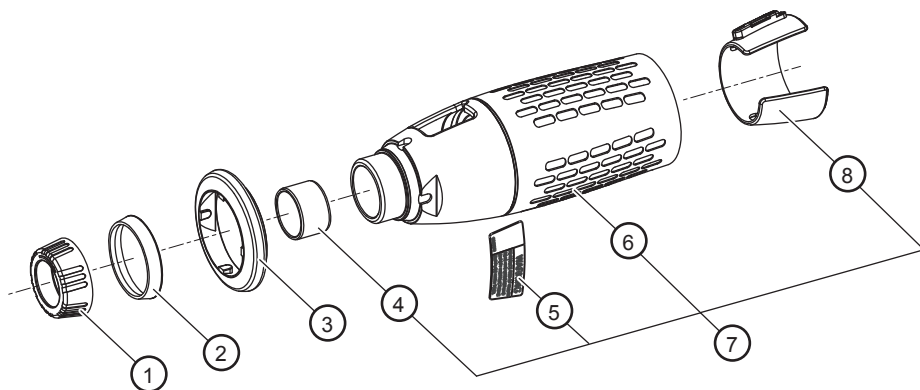
## COMPLETE TOOL ASSEMBLY



**A** Glue Loctite 243

Item	Description	Part No	2051472724 SC2-065A500-R4Q				
			2051472734 SC2-055A700-R4Q	2051472744 SC2-045A1000-R4Q	2051472754 SC2-035A1500-R4Q	2051472764 SC2-025A2200-R4Q	
1	Case clutch assembly	2050495403	1	1	1	1	1
2	Output assembly	2050492773	1	1	1	1	1
3	Clutch module R Low	2050493033					1
4	Clutch module R Medium	2050493043			1	1	
5	Clutch module R High	2050493063	1	1			
6	Gearbox 2200 rpm	2050505543					1
7	Gearbox 1500 rpm	2050505533				1	
8	Gearbox 1000 rpm	2050505523			1		
9	Gearbox 700 rpm	2050505513		1			
10	Gearbox 500 rpm	2050505503	1				
11	Motor	2050494343	1	1	1	1	1
12	Control top push start	2050494713	1	1	1	1	1
13	Exhaust hose assembly	2050495843	1	1	1	1	1
14	Spring push start	2050497733	1	1	1	1	1

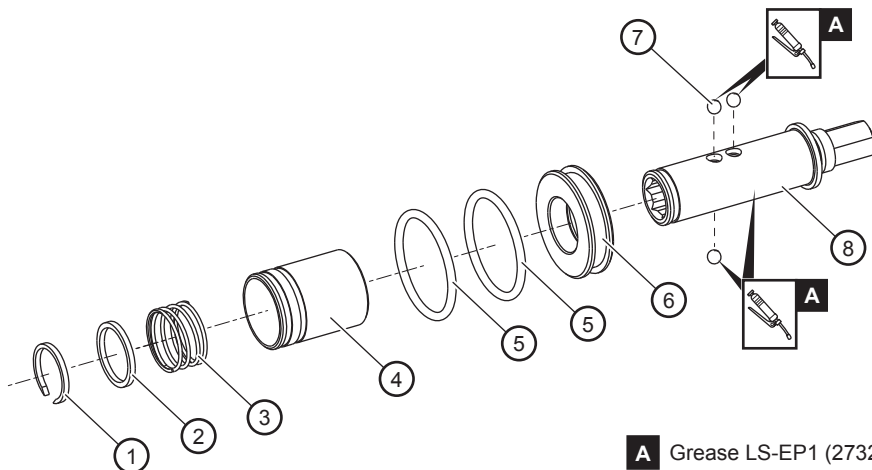
## CASE CLUTCH - MODULE ASSEMBLY



Item	Description	Part No	Qty
	<b>CASE CLUTCH KIT</b>	<b>2050495403</b>	<b>1</b>
1	Protector thread	2050495713	1
2	Spacer	2050512883	1
3	Tactile ridge	2050512613	1
7	Case clutch module (4+5+6+8)	2050524073	1

Item	Description	Part No	Qty
7	<b>CASE CLUTCH MODULE</b>	<b>2050524073</b>	<b>1</b>
4	Bearing plain lead free	2050512633	1
5	Warning label	2050520373	1
6	Case clutch	2050495653	1
8	Cover clutch adjustment	2050495633	1

**OUTPUT - MODULE ASSEMBLY**

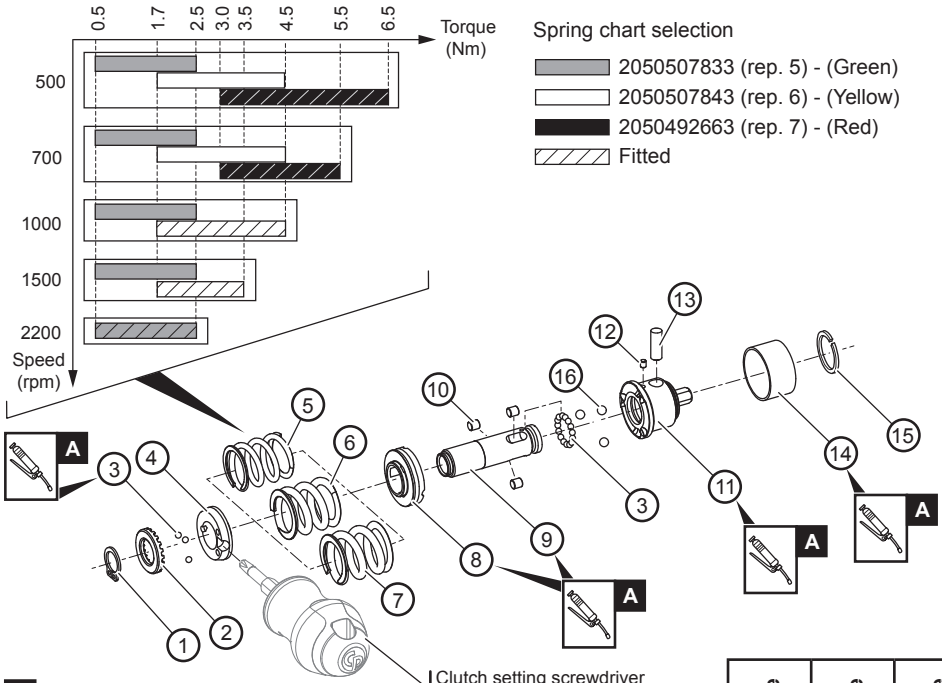


**A** Grease LS-EP1 (273273)

Item	Description	Part No	Qty
	<b>OUTPUT MODULE</b>	<b>2050492773</b>	<b>1</b>
1	Ring spring ext.	443773	1
2	Ring	443763	1
3	Spring compression	301013	1
4	Sleeve	443613	1
5	O-Ring ID 17.5 X 1.5 70 shore A	2050492763	2
6	Output support bearing	2050492603	1
7	Ball Ø2.5	280313	3
8	Output spindle	2050492583	1



### CLUTCH - MODULE ASSEMBLY



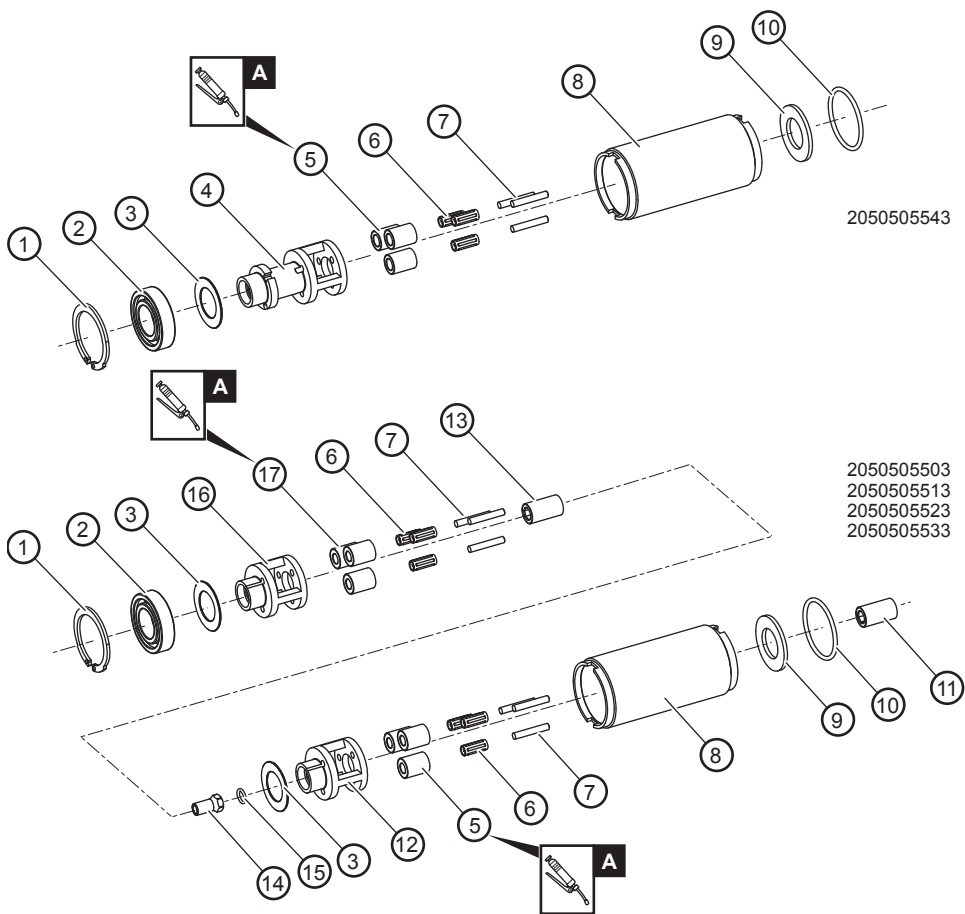
**A** Grease Molykote BR2 (315173) | Clutch setting screwdriver (see accessories)

	2050493033 Clutch module R Low	2050493043 Clutch module R Medium	2050493063 Clutch module R High
1	1	1	1
2	1	1	1
3	18	18	18
4	1	1	1
5	1	1	1
6		1	1
7			1
8	1	1	1
9	1	1	1
10	3	3	3
11	1	1	1
12	1	1	1
13	1	1	1
14	1	1	1
15	1	1	1
16	3	3	3

### CLUTCH MODULE

Item	Description	Part No	Qty		
1	Circlip	347733	1	1	1
2	Ring adjusting	2050507503	1	1	1
3	Ball Ø2.5	280313	18	18	18
4	Ring locking	2050507513	1	1	1
5	Spring clutch low (Green)	2050507833	1	1	1
6	Spring clutch medium (Yellow)	2050507843		1	1
7	Spring clutch high (Red)	2050492663			1
8	Cam follower - 3 ball	2050492933	1	1	1
9	Spindle clutch	2050492893	1	1	1
10	Location pin	2050519683	3	3	3
11	Cam clutch	2050492943	1	1	1
12	Roller clutch	2050519073	1	1	1
13	Needle NRB 6 x 17.8 G2	6157901550	1	1	1
14	Ring retaining	2050492613	1	1	1
15	Ring retaining 16.02 x 1.1	6156901020	1	1	1
16	Ball Ø3.778	770.41	3	3	3

## GEARBOXES - MODULE ASSEMBLY



2050505543

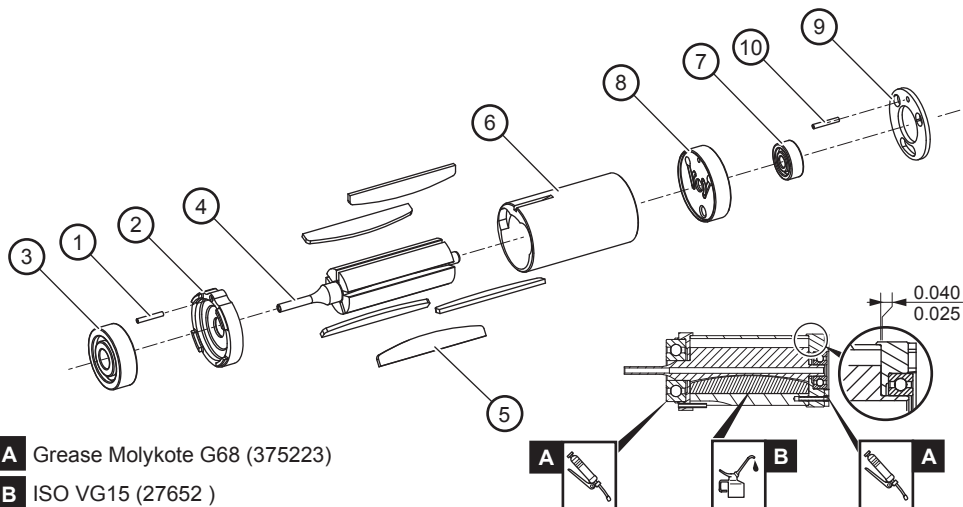
2050505503  
2050505513  
2050505523  
2050505533

**A** Grease Molykote G68 (375223)

## GEARBOXES - MODULE ASSEMBLY

Item	Description	Part No	Qty				
			2050505503 Gearbox module 500 rpm	2050505513 Gearbox module 700 rpm	2050505523 Gearbox module 1000 rpm	2050505533 Gearbox module 1500 rpm	2050505543 Gearbox module 2200 rpm
1	Inversed snap ring Ø24	2050505423	1	1	1	1	1
2	Bearing ISO 61901 2Z	349093	1	1	1	1	1
3	Washer 20 x 12 x 0.5	392513	2	2	2	2	1
4	Cage output (7,14 ratio) long	2050504883					1
5	Wheel planet 17T x 10mm wide	2050491073	3				3
5	Wheel planet 14T x 10mm wide	2050491083		3	6		
6	Needle roller 4.5 x 10 x 2.5	2050491133	6	6	6		3
7	Needle 2,5 x 15,8	6157900480	6	6	6	6	3
8	Gearcase - M28 double stage	2050492963	1	1	1	1	1
9	Plate back 22.0 x 1.5	2050491093	1	1	1	1	1
10	O-Ring 22 x 1.5 70 SH	455653	1	1	1	1	1
11	Pinion sleeve 7T to 15T	2050491103		1	1		
11	Pinion sleeve 7T to 19T	2050493803				1	
12	Cage 1st stage (ratio 3.87)	2050491043		1			
12	Cage 1st stage (ratio 7.14)	2050492973	1				
12	Cage 1st (ratio 3.87)	2050492983			1		
12	Cage 1st stage (ratio 3.26)	2050493853				1	
13	Pinion 15T 6mm hex	2050493013			1		
13	Pinion 19T 6mm hex	2050493823				1	
14	Pinion 12T 6mm hex	2050493003	1				
14	Pinion 9T without hex	2050493813		1			
15	O-Ring 4.0 x 1 70IRHD	6156582620		1			
16	Cage output (ratio 3.87)	2050491053			1		
16	Cage output (ratio 4.58)	2050492993	1				
16	Cage output (ratio 5.78)	2050493863		1			
16	Cage output (ratio 3.26)	2050493873				1	
17	Wheel planet 15T x 10mm wide	2050493023	3				
17	Wheel planet 16T	2050493833		3			
17	Wheel planet 12T x 10mm wide	2050493843				6	

## MOTOR - MODULE ASSEMBLY



**A** Grease Molykote G68 (375223)

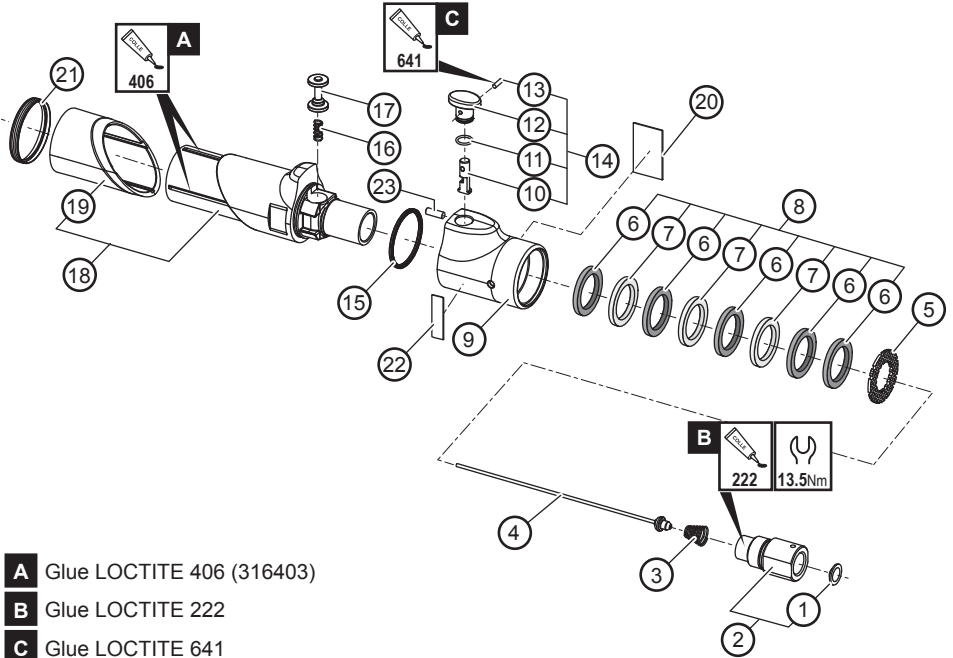
**B** ISO VG15 (27652 )

Item	Description	Part No	Qty
	<b>MOTOR MODULE</b>	<b>2050494343</b>	<b>1</b>
1	Spring pin 1.5 x 10LG spiral	259953	1
2	Front plate	2050519053	1
3	Bearing 7 x 22 x 7 ISO 627 2Z	282123	1
4	Rotor radial 7T	2050491503	1
5	Blade rotor radial	2050491113	5
6	Cylinder 2 way	2050496083	1
7	Bearing 4 x 13 x 5 ISO 624 2Z	216663	1
8	Rear plate	2050494333	1
9	Gasket motor	2050495363	1
10	Spring pin 1.5 x 14LG spiral	311523	1

Item	Description	Part No	Qty
	<b>BLADES KIT</b>	<b>2050524083</b>	<b>1</b>
5	Blade rotor radial	2050491113	100

Item	Description	Part No	Qty
	<b>MOTOR BEARING KIT</b>	<b>2050524093</b>	<b>1</b>
1	Spring pin 1.5 x 10LG spiral	259953	50
3	Bearing 7 x 22 x 7 ISO 627 2Z	282123	25
7	Bearing 4 x 13 x 5 ISO 624 2Z	216663	25

## CONTROL TOP - MODULE ASSEMBLY



- A** Glue LOCTITE 406 (316403)
- B** Glue LOCTITE 222
- C** Glue LOCTITE 641

Item	Description	Part No	Qty
	<b>CONTROL TOP MODULE</b>	<b>2050494713</b>	<b>1</b>
1	Filter	252183	1
2	Air feed bolt NPT (including 252183)	2050518253	1
2	Air feed bolt BSP (including 252183)	2050534163	1
3	Spring - Start/Shut off valve	2050493213	1
4	Valve (complete) - Shut off	466733	1
5	Exhaust ring - Perforated sheet	2050517013	1
6	Exhaust ring - Muffler	2050519193	5
7	Sintered bronze - Muffler	2050519633	3
8	Muffler kit	2050524113	1
9	Exhaust cap - Push start - Machined	2050493383	1
10	Plunger - Reverse valve	2050493413	1
11	O-Ring 6.0 x 1.0	6156583250	1
12	Button - Reverse	2050493453	1
13	Roller 2 x 7.8 LG	222423	1
14	Reverse kit	2050524103	1
15	Quad ring seal	2050519623	1

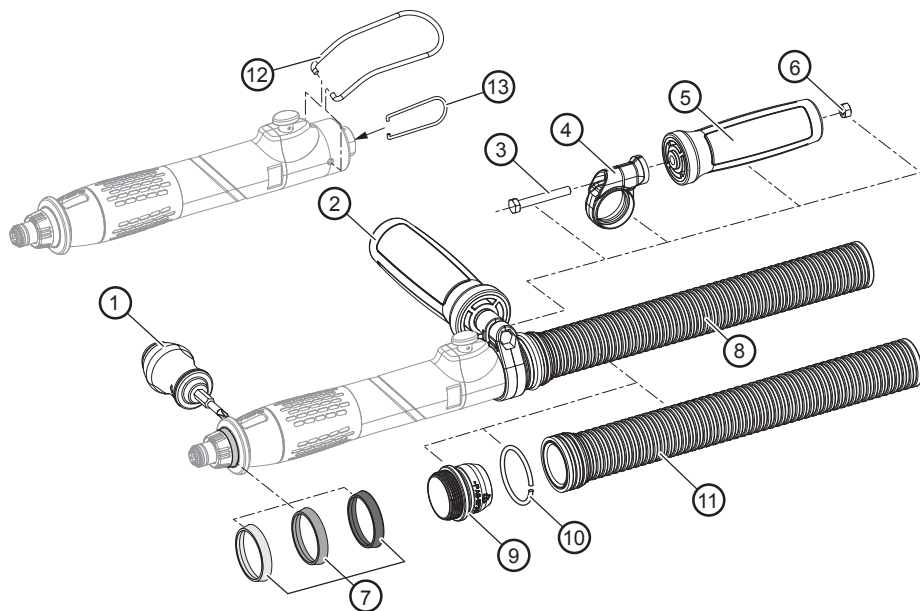
**CONTROL TOP - MODULE ASSEMBLY**

Item	Description	Part No	Qty
16	Spring - Reverse valve	314183	1
17	Valve - Reverse	2050493183	1
18	Motor case - Sub assembly - Push start	2050495353	1
19	Elastomer sleeve - Push start	2050495343	1
20	Nameplate	2050520193	1
21	Sleeve interface	2050522333	1
22	Sticker "manufacturing location"	6158728700	1
23	Needle Ø4x11.8	6157901260	1

Item	Description	Part No	Qty
	<b>REVERSE KIT</b>	<b>2050524103</b>	<b>1</b>
10	Plunger - Reverse valve	2050493413	1
11	O-Ring 6.0 x 1.0	6156583250	1
12	Button - Reverse	2050493453	1
13	Roller 2 x 7.8 LG	222423	1

Item	Description	Part No	Qty
	<b>MUFFLER KIT</b>	<b>2050524113</b>	<b>1</b>
6	Exhaust ring - Muffler	2050519193	5
7	Sintered bronze - Muffler	2050519633	3

## ACCESSORIES - MODULE ASSEMBLY



## Accessories included

Item	Description	Part No	Qty
1	Clutch setting screwdriver	2050507853	1
7	Rings identification (* Qty 3 = Yellow, Green, Red)	2050495903	1 *
8	Exhaust hose assembly	2050495843	1
12	Bail external	2050495373	1
13	Bail internal	2050512893	1

Item	Description	Part No	Qty
	<b>EXHAUST HOSE ASSEMBLY</b>	<b>2050495843</b>	<b>1</b>
9	Connector exhaust hose	2050516583	1
10	Ring snap RW35	6156890390	1
11	Hose - Exhaust	443743	1

## Optional accessories


Item	Description	Part No	Qty
	<b>SIDE HANDLE ASSEMBLY</b>	<b>2050521753</b>	<b>1</b>
3	Bolt M6 x 1.0 x 45 Hex HD	2050495923	1
4	Side handle clamp	2050521763	1
5	Handle side	6155730590	1
6	Nut M6	472193	1

Zampini Industrial Group

AirToolPro.com

1-800-353-4676

## SPARE PARTS SERVICE CHART

 The service chart is published as a guide to expectant life of component parts, the replacement levels are based on average tool usage over one year period. **Example: For 10 tools in use, 10 high wear items will be required per year , 4 medium wear items, etc...**

*Note : Quantities must be increased where tool is subjected to more severe and / or continuous usage.*

Description	Part No	Qty	High wear	Medium wear	Low wear
<b>Output</b>					
Ball Ø2.5	280313	3		X	
Spring compression	301013	1		X	X
Ring	443763	1			X
Ring spring ext	443773	1			X
Sleeve	443613	1			X
Output spindle 1/4"HEX	2050492583	1			X
Output support bearing	2050492603	1			X
O-Ring ID 17.5 X 1.5 70 shore A	2050492763	2		X	X
<b>Clutch</b>					
Ball Ø2.5	280313	18		X	
Ball Ø3.778	770.41	3		X	
Circlip	347733	1			X
Spring clutch high	2050492663	1			X
Spindle clutch	2050492893	1			X
Cam follower 3 ball	2050492933	1		X	
Cam clutch	2050492943	1		X	
Needle NRB 6 x 17.8 G2	6157901550	1			X
Ring adjusting	2050507503	1			X
Ring locking	2050507513	1			X
Spring clutch LOW	2050507833	1			X
Spring clutch MEDIUM	2050507843	1			X
Roller clutch	2050519073	1		X	
Location pin	2050519683	3			X
Ring retaining 16.02 x 1.1	6156901020	1			X
Ring retaining	2050492613	1		X	
<b>Clutch case</b>					
Cover clutch adjustment	2050495633	1			X
Protector thread	2050495713	1		X	
Tactile ridge	2050512613	1			X
Case clutch	2050512653	1			X
Bearing plain leadfree	2050512633	1			X
Spacer	2050512883	1			X
Warning label	2050520373	1			X



Description	Part No	Qty	High wear	Medium wear	Low wear
<b>Gearboxes</b>					
Bearing	349093	1			X
Washer	392513	1 or 2			X
O-Ring	394943	1			X
O-Ring	455653	1			X
Cage: 1st stage	2050491043	1			X
Cage: output	2050491053	1			X
Wheel planet 17 T	2050491073	3			X
Wheel planet 14 T	2050491083	3 or 6			X
Back plate	2050491093	1			X
Rotor sleeve	2050491103	1			X
Needle roller	2050491133	3 or 6			X
Gearcase	2050492963	1			X
Cage: 1st stage	2050492973	1			X
Cage: 1st stage	2050492983	1			X
Cage: output	2050492993	1			X
Pinion 12 T	2050493003	1			X
Pinion 15 T	2050493013	1			X
Wheel planet 15T	2050493023	3			X
Rotor sleeve	2050493803	1			X
Pinion 9 T	2050493813	1			X
Pinion 19 T	2050493823	1			X
Wheel planet 16 T	2050493833	3			X
Wheel planet 12 T	2050493843	6			X
Cage: 1st stage	2050493853	1			X
Cage: output	2050493863	1			X
Cage: output	2050493873	1			X
Cage: output	2050504883	1			X
Snap ring	2050505423	1			X
O-Ring	6156582620	1			X
Pin	6157900480	3 or 6			X

Description	Part No	Qty	High wear	Medium wear	Low wear
<b>Motor</b>					
Bearing 4x13x5 ISO 624 2Z	216663	1		X	
Bearing 7x22x7 ISO 627 2Z	282123	1		X	
Spring pin 1.5 x 10LG spiral	259953	1			X
Blade - Rotor - Radial	2050491113	5	X		
Rotor - Radial - 7T	2050491503	1			X
Rear plate	2050494333	1			X
Gasket - Motor	2050495363	1			X
Cylinder - 2 way	2050496083	1			X
Front plate	2050519053	1			X
Spring pin 1.5 x 14LG spiral	311523	1			X
<b>Control top push start</b>					
Spring - Reverse valve	314183	1			X
O ring 6.0 x 1.0	6156583250	1			X
Valve - Reverse	2050493183	1			X
Push rod	2050493203	1		X	
Spring - Start/Shut off valve	2050493213	1			X
Exhaust cap - Push start - Machined	2050493383	1			X
Plunger - Reverse valve	2050493413	1			X
Button - Reverse	2050493453	1			X
Motor case - Sub assembly - Push start	2050495353	1			X
Exhaust ring - Perforated sheet	2050517013	1			X
Air feed bolt NPT (including 252183)	2050518253	1			X
Air feed bolt BSP (including 252183)	2050534163	1			X
Exhaust ring - Muffler	2050519193	5		X	
Quad ring seal	2050519623	1			X
Sintered bronze - Muffler	2050519633	3			X
Sleeve interface	2050522333	1		X	
Needle Ø4 x 11.8	6157901260	1			X
<b>Accessories</b>					
Side handle assembly	2050521753	1			X
Bail suspension	2050495373	1			X
Exhaust hose assembly	2050495843	1			X
Bail hook	2050512893	1			X
Ring identification	2050495903	1			X
Clutch setting screwdriver	2050507853	1		X	
<b>Others</b>					
Spring - Push start	2050497733	1		X	



## Original instructions.

### © COPYRIGHT 2014, DESOUTTER HP2 7SJ UK

All rights reserved. Any unauthorized use or copying of the contents or part thereof is prohibited. This applies in particular to trademarks, model denominations, part numbers and drawings. Use only authorized parts. Any damage or malfunction caused by the use of unauthorised parts is not covered by Warranty or Product Liability.

## STATEMENT OF USE

This product is designed for installing and removing threaded fasteners in wood, metal and plastic.

No other use permitted.

For professional use only.

## DATA

See page 5.

### Declaration of noise and vibration emission

See page 84.

  Vibration levels.

 Sound levels.

**a<sub>hd</sub>, a<sub>h</sub>**: Vibration levels.

**K / K<sub>pA</sub> = K<sub>WA</sub> = 3 dB** : Uncertainty.

**L<sub>pA</sub>** : Sound pressure level.

**L<sub>WA</sub>** : Sound power level.

All values are current as of the date of this publication. For the latest information please visit [www.desouttertools.com](http://www.desouttertools.com).

These declared values were obtained by laboratory type testing in accordance with the stated standards and are suitable for comparison with the declared values of other tools tested in accordance with the same standards. These declared values are not adequate for use in risk assessments and values measured in individual work places may be higher.

The actual exposure values and risk of harm experienced by an individual user are unique and depend upon the way the user works, the workpiece and the workstation design, as well upon the exposure time and the physical condition of the user.

We, Desoutter, cannot be held liable for the consequences of using the declared values, instead of values reflecting the actual exposure, in an individual risk assessment in a work place situation over which we have no control.

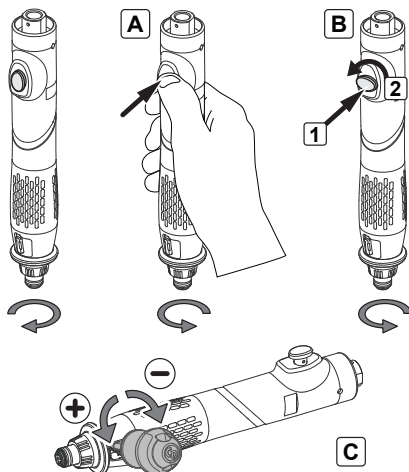
This tool may cause hand-arm vibration syndrome if its use is not adequately managed. An EU guide to managing hand-arm vibration can be found at [http://www.pneurop.eu/uploads/documents/pdf/PN3-02-NV\\_Declaration\\_info\\_sheet\\_0111.pdf](http://www.pneurop.eu/uploads/documents/pdf/PN3-02-NV_Declaration_info_sheet_0111.pdf)

We recommend a programme of health surveillance to detect early symptoms which may relate to noise or vibration exposure, so that management procedures can be modified to help prevent future impairment.

## OPERATING

With the correct accessory fitted, connect the tool to the air supply. Grip the tool around the motor case on the rubber surface and press the tool into the thread fastener that is to be tightened. The motor will start and tighten the fastener to the required torque. The required torque is achieved by adjusting the tension on the clutch spring (C). At this point the internal drive is disengaged and the air to the motor cut off.

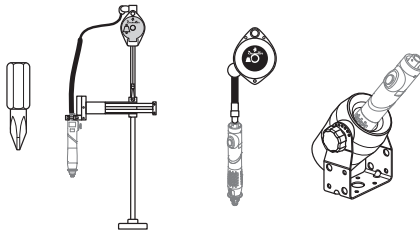
To untighten, press and maintain the button on the top of the tool (A), then press the tool into the fastener that need to be untightened, the motor will start and untighten the fixing. This button can be locked in the pressed position if rotated (B).



## ACCESSORIES

All accessories are available in the following catalogues:

- Industrial tools
  - UK 2050484013
  - FR 2050484023
  - GER 2050484033
  - SP 2050484043
  - IT 2050484053
  - US 2050484063
  - PORT 2050499023
  - RUS 2050499013
  - CHIN 2050499033
  - KOR 2050519203
  - MEX 2050519213



## LUBRICATION



This is a DRYLINE tool designed to operate on a totally dry air line i.e. one without any oil or water moisture. DRYLINE tools can also operate on a lubricated or partly lubricated air line thus allowing easy interchangeability with existing installations.

If lubrication is required an air line lubricator should be fitted down stream of the filter.

Use ISO VG 15 (27652).

*Note: full power is achieved using a lubricated air supply.*

## MAINTENANCE INSTRUCTIONS



The use of spare parts/accessories other than those originally supplied by the manufacturer may result in a drop in performance and/or increased maintenance / noise level / vibrations, and as the result, the full cancellation of the manufacturer's liability.



- Service should be carried out at intervals of 1000 hours use.
- All torque figures  $\pm 10\%$ .
- Rubber surfaces should be wiped clean with a general purpose, non aggressive degreasant.



When disposing of components, lubricants, etc... ensure that the relevant safety procedures are carried out.



Never connect a part assembled tool to the air supply. The rotor blades in this tool have a PTFE content. The normal health and safety recommendations concerning PTFE must be observed when handling these rotor blades.

- Do not smoke.
- Motor components must be washed with cleaning fluid and not blown clear with an air line.
- Wash hands before commencing any other activity.

## DESOUTTER WARRANTY

1. This Desoutter product is warranted against defective workmanship or materials, for a maximum period of 12 months following the date of purchase from Desoutter or its agents, provided that its usage is limited to single shift operation throughout that period. If the usage rate exceeds that of single shift operation, the warranty period shall be reduced on a prorata basis.
2. If, during the warranty period, the product appears to be defective in workmanship or materials, it should be returned to Desoutter or its agents, together with a short description of the alleged defect. Desoutter shall, at its sole discretion, arrange to repair or replace free of charge such items as are deemed faulty by reason of defective workmanship or materials.
3. This warranty ceases to apply to products which have been abused, misused or modified, or which have been repaired using other than genuine Desoutter spare parts or by someone other than Desoutter or its authorized service agents.
4. Should Desoutter incur any expense correcting a defect resulting from abuse, misuse, accidental damage or unauthorized modification, they will require that such expense shall be defrayed in full.
5. Desoutter accepts no claim for labour or other expenditure made upon defective products.
6. Any direct, incidental or consequential damages whatsoever arising from any defect are expressly excluded.
7. This warranty is given in lieu of all other warranties, or conditions, expressed or implied, as to the quality, merchantability or fitness for any particular purpose.
8. No one, whether an agent, servant or employee of Desoutter, is authorized to add to or modify the terms of this limited warranty in any way.

## Instructions originales.

### © COPYRIGHT 2014, DESOUTTER HP2 7SJ UK

Tous droits réservés. Tout usage illicite ou copie totale ou partielle sont interdits. Ceci s'applique plus particulièrement aux marques déposées, dénominations de modèles, numéros de pièces et schémas. Utiliser exclusivement les pièces autorisées. Tout dommage ou mauvais fonctionnement causé par l'utilisation d'une pièce non autorisée ne sera pas couvert par la garantie du produit et le fabricant ne sera pas responsable.

## DÉCLARATION D'UTILISATION

Ce produit est conçu pour visser et dévisser des attaches filetées dans le bois, le métal et le plastique.

Aucune autre utilisation n'est autorisée.

Réservé à un usage professionnel.

## DONNÉES

Voir page 5.

### Niveau de bruit et émission de vibrations déclarés

Voir page 84.



Niveaux de vibration.



Niveaux sonores.

**ahd, ah:** Niveaux de vibration.

**K / K<sub>pA</sub> = K<sub>WA</sub> = 3 dB :** Uncertainty.

**L<sub>pA</sub> :** Niveau de pression acoustique.

**L<sub>WA</sub> :** Niveau de puissance acoustique.

Toutes les valeurs sont celles connues à la date de publication du présent document. Pour obtenir les renseignements les plus récents, visiter le site [www.desouttertools.com](http://www.desouttertools.com)

Ces valeurs ont été obtenues par des essais en laboratoire conformément aux normes indiquées; elles ne peuvent pas être utilisées pour l'évaluation des risques.

Les valeurs mesurées sur les lieux de travail individuels peuvent être supérieures aux valeurs indiquées. Les valeurs d'exposition et le risque de préjudice réels dépendent de l'utilisateur et de sa condition physique, de la méthode de travail utilisée, de la pièce de travail, de la conception de la station de travail et du temps d'exposition.

Desoutter ne saurait être tenue responsable des conséquences de l'utilisation des valeurs ci-dessus au lieu des valeurs représentatives de l'exposition réelle, dans les études de risques individuelles sur les lieux de travail qui échappent à notre contrôle.

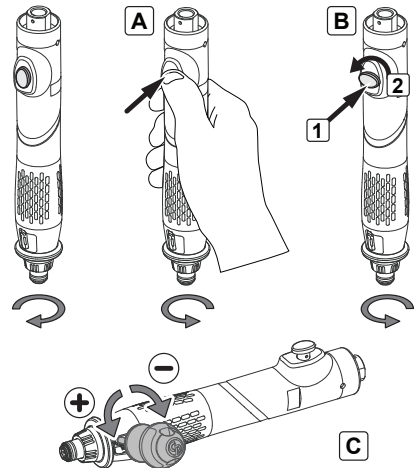
Cet outil peut provoquer des Troubles Musculo-Squelettiques, si son utilisation n'est pas correcte. Un guide communautaire de la prévention des TMS peut être trouvé sur le site : [http://www.pneurop.eu/uploads/documents/pdf/PN3-02-NV\\_Declaration\\_info\\_sheet\\_0111.pdf](http://www.pneurop.eu/uploads/documents/pdf/PN3-02-NV_Declaration_info_sheet_0111.pdf)

Nous recommandons un programme de surveillance de la santé pour détecter les premiers symptômes se rapportant au bruit ou à l'exposition aux vibrations, et de modifier les conditions travail pour aider à prévenir les troubles à venir.

## FONCTIONNEMENT

Montez l'accessoire de vissage sur l'outil et reliez l'outil à l'alimentation en air. Prenez l'outil par la poignée et appliquez-le sur la fixation devant être serrée. Le moteur démarre et serre la fixation au couple requis. Le réglage du couple s'effectue en ajustant l'effort du ressort d'embrayage (C). Une fois le couple de serrage atteint, la commande interne est débrayée et l'alimentation en air du moteur est coupée.

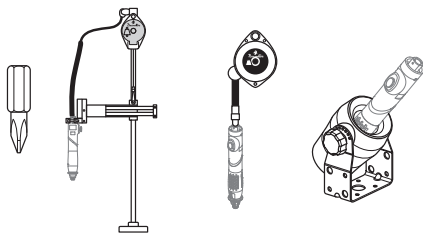
Pour desserrer, maintenez appuyé le bouton sur le dessus de l'outil (A), appuyez l'outil sur la fixation qui doit être desserrée, le moteur démarre et desserre la fixation. Pour maintenir ce bouton enfoncé, appuyez dessus et tournez-le (B).



## ACCESSOIRES

Tous les accessoires sont disponibles dans les catalogues suivants :

- Outils industriels
  - UK 2050484013
  - FR 2050484023
  - GER 2050484033
  - SP 2050484043
  - IT 2050484053
  - US 2050484063
  - PORT 2050499023
  - RUS 2050499013
  - CHIN 2050499033
  - KOR 2050519203
  - MEX 2050519213



## LUBRIFICATION



Cet outil DRYLINE est conçu pour fonctionner sur une conduite d'air sec, c'est-à-dire sans aucun type de lubrification (ni huile, ni eau). Les outils DRYLINE peuvent également fonctionner sur une conduite d'air totalement ou partiellement lubrifiée, ce qui permet d'interchanger les installations.

Si la conduite d'air nécessite une lubrification, le lubrifiant doit être placé en aval du filtre.

Utiliser un lubrifiant certifié ISO VG 15 (27652).

*Remarque : l'arrivée d'air doit être lubrifiée pour atteindre la puissance maximale.*

## INSTRUCTIONS D'ENTRETIEN



L'utilisation de pièces détachées et/ou d'accessoires qui ne sont pas fournis par le fabricant d'origine peu engendrer une diminution des performances et/ou une augmentation de l'entretien et du niveau de vibration; une telle utilisation provoque également l'annulation totale de la responsabilité du fabricant.



- L'intervalle d'entretien est fixé à 1 000 heures d'utilisation.
- Les chiffres de couple varient de  $\pm 10\%$ .
- Nettoyer les surfaces en caoutchouc à l'aide d'un produit dégraissant courant non agressif.



Pour l'élimination des composants, lubrifiants, etc., assurez-vous que les procédures de sécurité sont respectées.



Ne jamais raccorder un outil partiellement monté à l'arrivée d'air. Les pales de rotor de cet outil sont en PTFE. Lors de la manipulation des pales de rotor, respecter les recommandations standard de sécurité et de santé propres au PTFE.

- Ne pas fumer.
- Nettoyer les composants du moteur à l'aide d'un liquide de nettoyage et non avec de l'air.
- Se laver les mains avant de commencer toute autre activité.



## GARANTIE DESOUTTER

1. En cas de défaut de fabrication ou de panne matérielle, le présent produit Desoutter est sous garantie pour une période maximale de 12 mois à compter de sa date d'achat auprès de Desoutter ou de ses agents, à condition que son utilisation journalière soit limitée à une journée de travail standard durant cette période. Si le taux d'utilisation est supérieur à une journée de travail standard, la période de garantie doit être réduite proportionnellement.
2. Si l'utilisateur du produit constate un défaut de fabrication ou une panne matérielle pendant la période de garantie, le produit doit être retourné à Desoutter ou à ses agents, accompagné d'une brève description du défaut allégué. Desoutter s'engage, à sa seule discrétion, à réparer ou remplacer gratuitement tout élément jugé défectueux suite à un défaut de fabrication ou à une panne matérielle.
3. La présente garantie ne s'applique pas aux produits soumis à une détérioration, un usage non conforme, à des modifications ou à une réparation effectuée à l'aide de pièces de rechange autres que les véritables pièces Desoutter ou à une réparation effectuée par une personne autre qu'un employé Desoutter ou qu'un agent gestionnaire agréé.
4. En cas de dépenses effectuées par Desoutter pour remédier à un défaut (résultant d'une détérioration, d'une utilisation non conforme, d'un dommage fortuit ou d'une modification non autorisée), celles-ci devront être intégralement remboursées.
5. Desoutter rejette toute réclamation concernant la main-d'oeuvre ou toute autre dépense occasionnée par des produits défectueux.
6. Tout dommage direct, consécutif ou fortuit causé par un défaut est expressément exclu.
7. La présente garantie remplace toute autre garantie ou condition, expresse ou tacite, relative à la qualité, la valeur marchande ou l'aptitude à un usage particulier.
8. Nul n'est autorisé à modifier les termes de la présente garantie limitée, pas même un agent ou un employé de Desoutter.

## Instrucciones originales.

### © COPYRIGHT 2014, DESOUTTER HP2 7SJ UK

Reservados todos los derechos. Está prohibido todo uso indebido o copia de este documento o parte del mismo. Esto se refiere especialmente a marcas comerciales, denominaciones de modelos, números de piezas y dibujos. Utilicen exclusivamente piezas de repuesto autorizadas. Cualquier daño o defecto de funcionamiento causado por el uso de piezas no autorizadas queda excluido de la garantía o responsabilidad del fabricante.

## DECLARACIÓN DE USO

Este producto está diseñado para instalar y retirar tornillos u otros elementos de fijación roscados en madera, metal y plástico.

Cualquier otra utilización no está autorizada.

Reservado para un uso profesional.

## DATOS TÉCNICOS

Véase página 5.

### Declaración de valores de ruido y vibración

Véase página 84.



Niveles de vibraciones.



Niveles sonoros.

$a_{hd}$ ,  $a_h$ : Niveles de vibraciones.

$K / K_{pA} = K_{WA} = 3 \text{ dB}$ : Incertidumbre.

$L_{pA}$ : Nivel de presión sonora.

$L_{WA}$ : Nivel de potencia sonora.

Todos los valores son correctos en el momento de la publicación. Para conocer la última información, visite [www.desouttertools.com](http://www.desouttertools.com).

Estos valores declarados se obtuvieron en pruebas de laboratorio en cumplimiento con las normas establecidas y no son adecuados para utilizarse en evaluaciones de riesgos. Los valores medidos en lugares de trabajo individuales podrían ser más altos que los valores declarados.

Los valores de exposición reales y el riesgo de peligro experimentado por un usuario individual son únicos y dependen del hábito de trabajo del usuario, la pieza en la que se está trabajando y el diseño de la estación de trabajo, además del tiempo de exposición y las condiciones físicas del usuario.

Nosotros, Desoutter, no podemos aceptar responsabilidad por las consecuencias de utilizar los valores declarados en lugar de los valores que reflejan la exposición real en una evaluación de riesgo individual y en una situación de lugar de trabajo sobre los que no tenemos ningún control.

Esta herramienta puede provocar síndrome de vibración. Si no se gestiona adecuadamente su utilización.

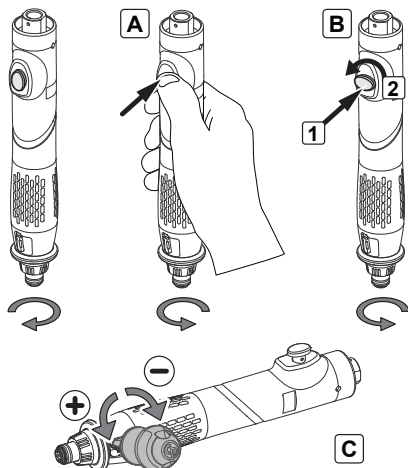
Encontrará una guía de la UE respecto a la gestión de vibraciones transmitidas al sistema manobrazo en la página [http://www.pneurop.eu/uploads/documents/pdf/PN3-02-NV\\_Declaration\\_info\\_sheet\\_0111.pdf](http://www.pneurop.eu/uploads/documents/pdf/PN3-02-NV_Declaration_info_sheet_0111.pdf)

Se recomienda mantener un programa de control sanitario de detección precoz de los síntomas relacionados con la exposición a vibraciones, con objeto de modificar los procedimientos de gestión y así evitar posibles discapacidades.

## FUNCIONAMIENTO

Una vez colocado el accesorio correcto, conecte la herramienta al suministro de aire. Sujete la herramienta por la superficie de goma, a la altura de la carcasa del motor, y presione con ella el tornillo que desea apretar. El motor se activará y apretará el tornillo con el valor de torsión solicitado. Para obtener un valor de torsión preciso, ajuste la tensión del muelle del embrague (C). Al finalizar, la unidad interna se desconectará y dejará de entrar aire al motor.

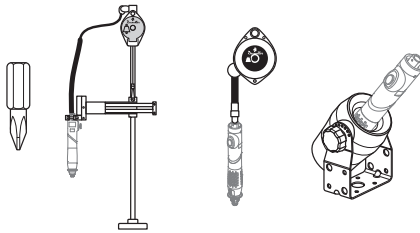
Para desatornillar, mantenga pulsado el botón situado en la parte superior de la herramienta (A) y presione el tornillo que desee aflojar. El motor se activará y retirará el tornillo. Se puede bloquear este botón en posición pulsada girándolo (B).



## ACCESORIOS

Todos los accesorios se encuentran disponibles en los catálogos siguientes:

- Herramientas industriales
  - UK 2050484013
  - FR 2050484023
  - GER 2050484033
  - SP 2050484043
  - IT 2050484053
  - US 2050484063
  - PORT 2050499023
  - RUS 2050499013
  - CHIN 2050499033
  - KOR 2050519203
  - MEX 2050519213



## LUBRICACIÓN



Esta es una herramienta DRYLINE, diseñada para funcionar en una línea de aire totalmente seca, es decir, sin humedad por agua o aceite. Las herramientas DRYLINE también pueden funcionar en una línea de aire lubricada o parcialmente lubricada, lo que permite una fácil intercambiabilidad con las instalaciones existentes.

Si se necesita lubricación, se debe instalar un lubricador de línea de aire con posterioridad al filtro.

Utilice ISO VG 15 (27652).

*Nota: la potencia máxima se alcanza con un suministro de aire lubricado.*

## INSTRUCCIONES DE MANTENIMIENTO



La utilización de piezas de recambio o accesorios diferentes a los suministrados por el fabricante puede resultar en una disminución de su rendimiento y/o en un aumento de las averías, el nivel de ruido y las vibraciones, además de en la consiguiente declinación de toda responsabilidad por parte del fabricante.



- El mantenimiento se debe realizar cada 1000 horas de uso.
- Todos las cifras de torsión  $\pm 10\%$ .
- Limpie las superficies de goma con un desengrasante de uso general y no agresivo.



Para la eliminación de los componentes, lubricantes, etc... comprueben que las normas de seguridad han sido respetadas.



No conecte nunca una herramienta al suministro de aire sin antes montar todas sus piezas. Las palas del rotor de esta herramienta contienen teflón. Siga las recomendaciones habituales de seguridad e higiene relativas al teflón cuando manipule dichas palas.

- No fume.
- Limpie los componentes del motor con un líquido de limpieza y no con aire a presión.
- Lávese las manos antes de pasar a otra actividad.

## GARANTÍA DE DESOUTTER

1. Este producto Desoutter está garantizado frente a materiales o mano de obra defectuosos durante un período máximo de 12 meses a partir de la fecha de compra, ya sea ésta a Desoutter o a cualquiera de sus agentes, siempre que su uso esté limitado a un turno de trabajo sencillo durante dicho período. Si el promedio de uso excediera el de un turno de trabajo sencillo, el período de garantía se reduciría por prorrateo.
2. Si durante el período de la garantía, el producto mostrara defectos de materiales o mano de obra, lo deberá devolver a Desoutter o a cualquiera de sus agentes junto con una breve descripción del defecto. Desoutter decidirá, a su sola discreción, reparar o sustituir de forma gratuita los elementos que considere conflictivos debido a materiales o mano de obra defectuosos.
3. Esta garantía dejará de aplicarse a productos en los que se haya realizado un uso abusivo o inadecuado, o que se hayan reparado o modificado utilizando piezas de repuesto distintas a las originales de Desoutter, o por alguien que no pertenezca a Desoutter o a sus agentes de servicio autorizados.
4. Si Desoutter incurriera en gastos debidos a la corrección de defectos causados por uso abusivo, inadecuado, daño accidental o modificación no autorizada, éstos se deberán reembolsar en su totalidad a Desoutter.
5. Desoutter no acepta ninguna reclamación en concepto de mano de obra u otros gastos efectuados sobre productos defectuosos.
6. Queda expresamente excluido cualquier daño directo, fortuito o resultante cuyo origen se encuentre en cualquier defecto.
7. Esta garantía se otorga en lugar de cualquier otra garantía o condiciones, expresas o implícitas, en cuanto a la calidad, comerciabilidad o conveniencia para cualquier fin en particular.
8. Ningún agente, ayudante o empleado de Desoutter está autorizado a añadir o modificar los términos de esta garantía limitada en modo alguno.

## Ursprüngliche Betriebsanleitung.

### © COPYRIGHT 2014, DESOUTTER HP2 7SJ UK

Alle Rechte vorbehalten. Unbefugtes Verwenden oder Kopieren des Inhalts bzw. von Teilen des Inhalts ist verboten. Dies gilt insbesondere für Warenzeichen, Modellbezeichnungen, Teilenummern und Zeichnungen. Nur die zugelassenen Ersatzteile verwenden. Schäden oder Funktionsstörungen, die durch die Verwendung nicht zugelassener Ersatzteile entstehen, sind von der Garantieleistung und der Produkthaftung ausgeschlossen.

## NUTZUNGSHINWEISE

Dieses Produkt ist ausschließlich für den industriellen Einsatz bestimmt.

Es ist ausschließlich zum Herstellen von Schraubverbindungen in Metall, Kunststoff oder Holz bestimmt.

Eine andere Benutzung gilt als nicht bestimmungsgemäß.

## DATEN

Siehe Seite 5.

### Erklärung zu Geräuschemission und Vibration

Siehe Seite 84.



Vibrationspegel.



Geräuschpegel.

**ahd, ah:** Vibrationspegel.

**K / K<sub>pA</sub> = K<sub>WA</sub> = 3 dB** : Unsicherheit.

**L<sub>pA</sub>** : Schalldruckpegel.

**L<sub>WA</sub>** : Schalleistungspegel.

Alle Werte sind zum Zeitpunkt dieser Veröffentlichung auf dem aktuellen Stand. Neueste Informationen finden Sie unter [www.desouttertools.com](http://www.desouttertools.com).

Die genannten Werte wurden durch Tests gemäß den angegebenen Normen unter Laborbedingungen ermittelt und sind nicht ausreichend für Risikoanalysen.

Die tatsächlichen Meßwerte am Einsatzort können je nach Umgebung auch höher ausfallen. Die konkrete Belastung und das Gesundheitsrisiko des Benutzers sind von Person zu Person verschieden und hängen von den Arbeitsgewohnheiten, dem Werkstück und der Gestaltung des Arbeitsplatzes sowie von der Belastungsdauer und dem Gesundheitszustand des Benutzers ab.

Wir, die Desoutter, haften nicht für die Folgen einer Anwendung der genannten Werte anstelle von Meßwerten der tatsächlichen Belastungswerte in einer Risikoanalyse für einen konkreten Arbeitsplatz, der sich unserer Einflußnahme entzieht.

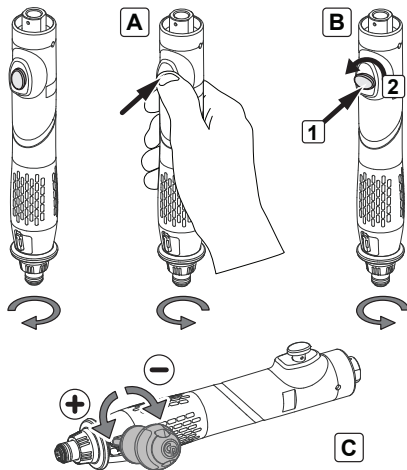
Dieses Werkzeug kann das Hand-Arm-Vibrations-Syndrom auslösen, sofern sein Gebrauch nicht in ausreichendem Maße geregelt wird. Ein EU-Leitfaden zur Regelung von Hand-Arm Vibrationen steht im Internet zur Verfügung: [http://www.pneurop.eu/uploads/documents/pdf/PN3-02-NV\\_Declaration\\_info\\_sheet\\_0111.pdf](http://www.pneurop.eu/uploads/documents/pdf/PN3-02-NV_Declaration_info_sheet_0111.pdf)

Wir empfehlen ein Programm zur Gesundheitsüberwachung, durch welches frühe Symptome erkannt werden können, welche auf die Vibrationsexposition zurückgeführt werden könnten, so dass die Abläufe der Maßnahmen daraufhin so geändert werden können, dass zukünftige Beeinträchtigungen vermieden werden.

## BETRIEB

Schließen Sie das Werkzeug an die Luftzufuhr an. Halten Sie das Werkzeug an dem dafür vorgesehenen Griffbereich fest und drücken Sie es auf die Schraubverbindung, die angezogen werden soll. Der Motor startet und zieht das Befestigungselement bis zum erforderlichen Drehmoment an. Die Anpassung des Drehmomentes erfolgt durch Einstellung der Vorspannung der Kupplungsfeder (C). Bei Erreichen des Moments wird der Innenantrieb ausgekuppelt und die Luftzufuhr zum Motor unterbrochen.

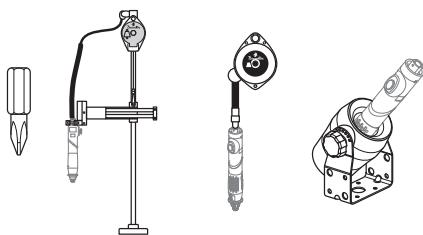
Soll eine Schraubverbindung gelöst werden, halten sie die Drucktaste oben am Werkzeug (A) gedrückt und setzen Sie das Werkzeug auf die zu lösenden Schraubverbindungen auf. Nach Andrücken startet der Motor und löst die Schraubverbindung. Die Drucktaste lässt sich durch drehen (B) in der gedrückten Stellung arretieren.



## ZUBEHÖR

Sämtliches Zubehör ist in den folgenden Katalogen aufgelistet:

- Industrierwerkzeuge
  - UK 2050484013
  - FR 2050484023
  - DEU 2050484033
  - SP 2050484043
  - IT 2050484053
  - US 2050484063
  - PORT 2050499023
  - RUS 2050499013
  - CHIN 2050499033
  - KOR 2050519203
  - MEX 2050519213



## SCHMIERUNG



Dies ist ein Trockenlauf-Werkzeug für den betrieb an einer vollkommen trockenen Druckluftleitung, d.h. ohne jede von Öl oder Wasser herrührende Feuchtigkeit. Trockenlauf-Werkzeuge können aber auch an einer geschmierten oder teilweise geschmierten Druckluftleitung betrieben werden, wodurch ein einfacher Wechsel zwischen vorhandenen Anlagen ermöglicht wird. Ist eine Schmierung erforderlich, ist eine Wartungseinheit hinter dem Filter anzubringen.

Nutzen Sie für die Schmierung Nebelöl nach ISO VG 15 (Artikelnr. 27652).

*Hinweis: Die volle Leistung wird bei Verwendung einer geschmierten Druckluftversorgung erreicht.*

## WARTUNGSANLEITUNG



Die Verwendung von Ersatz- oder Zubehöerteilen, die nicht vom Hersteller bezogen wurden, kann zu Leistungsminderung bzw. erhöhtem Wartungsbedarf, Lärmpegel und stärkeren Vibrationen führen und in der Folge das Erlöschen der Produkthaftung des Herstellers nach sich ziehen.



- Die Wartung ist im Abstand von 1.000 Betriebsstunden durchzuführen.
- Alle Drehmomentangaben  $\pm 10\%$ .
- Für die Reinigung gummierter Oberflächen empfiehlt sich ein milder und fettlösender Allzweckreiniger.



Zur Entsorgung der Komponenten, Betriebsstoffe, etc. die einschlägigen Vorschriften beachten.



Schließen Sie niemals ein nur teilweise zusammengesetztes Werkzeug an die Luftzufuhr an. Die Rotorblätter im Inneren dieses Werkzeugs enthalten PTFE. Beim Umgang mit diesen Rotorblättern sind hinsichtlich PTFE die üblichen Arbeitsschutzhinweise zu beachten.

- Rauchen Sie nicht.
- Reinigen Sie Motorteile mit einem Flüssigreiner und nicht mit Druckluft.
- Waschen Sie vor einem neuen Arbeitsgang Ihre Hände.

## DESOUTTER-GARANTIE

1. Die Garantie für dieses Desoutter-Produkt gilt für Ausführungsmängel und Materialfehler. Ab dem Datum des Kaufs bei Desoutter oder dessen Vertreter beträgt die Garantiezeit maximal 12 Monate, sofern die Nutzung des Produkts in dieser Zeit auf den Einschichtbetrieb beschränkt ist. Überschreitet die Nutzungshäufigkeit die des Einschichtbetriebs, verkürzt sich die Garantiezeit anteilig.
2. Wird während der Garantiezeit ein Ausführungsmangel oder Materialfehler vermutet, ist das Produkt zusammen mit einer kurzen Beschreibung des vermuteten Fehlers an Desoutter oder einen seiner Vertreter zurückzuschicken. Desoutter veranlasst nach eigenem Ermessen die kostenlose Reparatur oder Erneuerung von Komponenten, die aufgrund von Ausführungsmängeln oder Materialfehlern als defekt angesehen werden.
3. Diese Garantie gilt nicht mehr für Produkte, die unsachgemäß behandelt oder geändert wurden oder die unter Verwendung anderer als Desoutter-Originalersatzteile oder von jemand anderem als Desoutter oder seinen autorisierten Servicevertretern repariert wurden.
4. Falls Desoutter durch die Beseitigung eines durch unsachgemäße Behandlung, versehentliche Beschädigung oder unzulässige Änderung verursachten Mangels Kosten entstehen, wird deren vollständige Begleichung gefordert.
5. Forderungen in Bezug auf Arbeits- und sonstige Kosten, die im Zusammenhang mit defekten Produkten gestellt werden, werden von Desoutter nicht akzeptiert.
6. Die Entschädigung für infolge eines Mangels entstandene direkte, beiläufige oder Folgeschäden wird ausdrücklich ausgeschlossen.
7. Diese Garantie wird anstelle aller anderen ausdrücklichen oder konkludenten Garantien oder Bedingungen in Bezug auf die Qualität, die Handelstauglichkeit oder die Eignung für einen bestimmten Zweck gewährt.
8. Weder Vertreter noch Mitarbeiter von Desoutter sind befugt, die Bedingungen dieser begrenzten Garantie in irgendeiner Weise zu ergänzen oder zu ändern.

## Istruzioni originali.

### © COPYRIGHT 2014, DESOUTTER HP2 7SJ UK

Tutti i diritti riservati. E' vietata la riproduzione totale o anche solo parziale del presente documento salvo previa autorizzazione, specialmente per quanto concerne i marchi depositati, le denominazioni dei modelli, i numeri di codice e le illustrazioni. Si raccomanda di impiegare esclusivamente pezzi di ricambio autorizzati. Gli eventuali danni o difetti di funzionamento dovuti all'uso di pezzi di ricambio non autorizzati non sono coperti dalla garanzia e il fabbricante non sarà ritenuto responsabile.

## DICHIARAZIONE D'USO

Questo prodotto è progettato per l'installazione e la rimozione di viti filettate in legno, metallo e plastica.

Non è autorizzato nessun altro uso.

Riservato per uso professionale.

## DATI

Vedere pagina 5.

### Dichiarazione relativa al rumore e alle vibrazioni

Vedere pagina 84.

  Livelli di vibrazione.

 Livelli sonori.

$a_{hd}$ ,  $a_h$ : Livelli di vibrazione.

$K / K_{pA} = K_{WA} = 3 \text{ dB}$  : Incertezza.

$L_{pA}$  : Livello di pressione acustica.

$L_{WA}$  : Livello di potenza acustica.

Tutti i valori sono vigenti alla data della presente pubblicazione. Per informazioni più recenti, visitare [www.desouttertools.com](http://www.desouttertools.com).

I valori dichiarati sono stati ottenuti da test eseguiti in laboratorio in conformità con le norme stabilite e non sono adeguati per l'uso nella valutazione dei rischi. I valori rilevati in determinati luoghi lavorativi possono essere superiori ai valori dichiarati.

I valori di esposizione reali e il rischio di pericolo a cui il singolo utente è soggetto sono esclusivi e dipendono dal modo in cui la persona lavora, dal pezzo in lavorazione e dalla struttura dell'area di lavoro, nonché dai tempi di esposizione e dalle condizioni fisiche dell'utente.

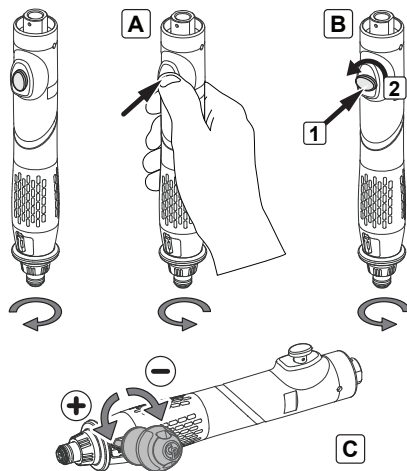
Noi, Desoutter, non possiamo essere ritenuti responsabili per le conseguenze derivanti dall'uso dei valori dichiarati, anziché di valori che riflettono l'esposizione effettiva, nella specifica valutazione di eventuali rischi in un luogo lavorativo su cui non abbiamo alcun controllo.

Se non utilizzato in modo idoneo, questo utensile può provocare la sindrome da vibrazioni manobraccio. Per una guida UE sulla gestione delle vibrazioni mano-braccio, consultare l'indirizzo internet [http://www.pneurop.eu/uploads/documents/pdf/PN3-02-NV\\_Declaration\\_info\\_sheet\\_0111.pdf](http://www.pneurop.eu/uploads/documents/pdf/PN3-02-NV_Declaration_info_sheet_0111.pdf)

Si raccomanda l'adozione di un programma di controllo sanitario finalizzato a individuare i primi sintomi di un'eventuale esposizione alle vibrazioni, affinché sia possibile modificare le procedure di gestione e aiutare a prevenire disabilità significative.

## FUNZIONAMENTO

Dopo aver inserito l'accessorio corretto, collegare l'avvitatore al compressore. Tenere l'avvitatore stringendolo sull'area in gomma intorno all'involucro del motore e fare pressione sulla vite da stringere. Il motore comincerà a girare e stringerà la vite alla coppia desiderata. Il livello di coppia è determinato regolando la tensione sull'apposita molla (C). A questo punto, la guida interna è rilasciata e l'aria al motore interrotta. Per svitare, premere il pulsante sulla parte superiore dell'avvitatore (A), poi fare pressione con l'attrezzo sulla vite da svitare; il motore partirà ed eseguirà l'operazione. Ruotare il pulsante (B) per lasciarlo in posizione "premuta".

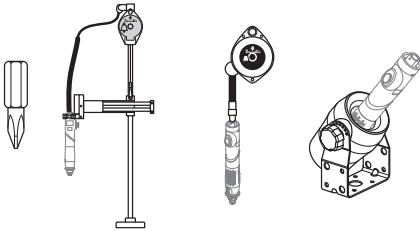




## ACCESSORI

Tutti gli accessori sono disponibili nei seguenti cataloghi:

- Cataloghi industriali:
  - UK 2050484013
  - FR 2050484023
  - GER 2050484033
  - SP 2050484043
  - IT 2050484053
  - US 2050484063
  - PORT 2050499023
  - RUS 2050499013
  - CHIN 2050499033
  - KOR 2050519203
  - MEX 2050519213



## LUBRIFICAZIONE



Si tratta di un utensile DRYLINE progettato per funzionare in un condotto di aria completamente secco, ovvero privo di olio o umidità. Gli utensili DRYLINE possono inoltre funzionare su un condotto di aria lubrificato o parzialmente lubrificato, consentendo in tal modo una facile intercambiabilità con gli impianti esistenti.

Se è richiesta la lubrificazione, occorre installare un lubrificatore del condotto di aria a valle del filtro.

Utilizzare ISO VG 15 (27652).

*Nota: la potenza massima viene raggiunta utilizzando l'alimentazione dell'aria non lubrificata.*

## ISTRUZIONI PER LA MANUTENZIONE



L'utilizzo di parti/accessori di ricambio diversi da quelli forniti inizialmente dal produttore potrebbe dar luogo a un degrado delle prestazioni e/o all'aumento di interventi di manutenzione / livello di rumorosità / vibrazioni provocando, come risultato, l'annullamento di ogni responsabilità da parte del produttore.



- Gli interventi di manutenzione devono essere effettuati a intervalli di utilizzo di 1000 ore.
- Tutti i valori di coppia  $\pm 10\%$ .
- Le superfici in gomma devono essere pulite con uno sgrassante generico non aggressivo.



Per l'eliminazione degli elementi, lubrificanti, ecc... accertatevi che siano rispettate le procedure di sicurezza.



Non collegare mai l'avvitatore parzialmente assemblato al compressore. Le lame del rotore contengono PTFE. È necessario osservare le normali precauzioni sanitarie e di sicurezza relative alla manipolazione del PTFE quando di manipolano le lame del rotore.

- Non fumare.
- I componenti del motore devono essere lavati con un liquido detergente e non puliti con un getto d'aria.
- Lavare le mani prima di intraprendere qualsiasi altra attività.

## GARANZIA DESOUTTER

1. Questo prodotto Desoutter è garantito da difetti di lavorazione o dei materiali per un periodo massimo di 12 mesi a partire dalla data di acquisto presso Desoutter o i suoi rappresentanti, purché il suo impiego sia stato limitato a un unico turno per tutto quel periodo. Se il ritmo di impiego supera il funzionamento durante un unico turno, la durata della garanzia deve essere ridotta in modo proporzionale.
2. Se durante il periodo della garanzia il prodotto presenta difetti di lavorazione o dei materiali, esso deve essere restituito a Desoutter o ai suoi rappresentanti, unitamente a una breve descrizione del presunto difetto. Desoutter deciderà, a sua discrezione, se dare disposizioni per la riparazione o sostituzione a titolo gratuito dei componenti che ritiene essere difettosi, quale risultato di difetti di lavorazione o dei materiali.
3. Questa garanzia non è valida per quei prodotti che sono stati usati in modo improprio o impropriamente modificati, o che sono stati riparati usando ricambi non originali Desoutter e non da Desoutter o dai suoi rappresentanti autorizzati.
4. Qualora Desoutter dovesse andare incontro a spese per riparare un guasto causato da cattivo uso, uso improprio, danni accidentali o modifica non autorizzata, essa richiederà il rimborso totale di tale spesa.
5. Desoutter non accetta nessuna richiesta di risarcimento per spese di manodopera o di altro tipo causate da prodotti difettosi.
6. Si escludono espressamente danni diretti, incidentali o indiretti di qualsiasi tipo dovuti a qualsiasi difetto.
7. Questa garanzia viene data al posto di ogni altra garanzia o condizione, espressa o implicita, riguardante la qualità, commerciabilità o idoneità per qualsiasi scopo particolare.
8. Nessuno, rappresentanti, dipendenti o impiegati di Desoutter, è autorizzato ad ampliare o modificare, in qualsiasi modo, i termini di questa garanzia limitata.

## Instruções originais.

### © COPYRIGHT 2014, DESOUTTER HP2 7SJ UK

Todos os direitos são reservados. É proibida qualquer utilização ilícita ou cópia total ou parcial. Isto aplica-se particularmente a marcas registradas, denominações de modelos, número de peças e desenhos. Utilizar apenas peças autorizadas. Qualquer dano ou funcionamento defeituoso provocado pela utilização de peças não autorizadas não será coberto pela garantia do produto e o fabricante não será responsável.

## DECLARAÇÃO DE UTILIZAÇÃO

Este produto foi concebido para instalar e remover fixadores de rosca em madeira, metal e plástico.

Não é autorizada nenhuma outra utilização. Reservado a uso profissional.

## DADOS

Ver página 5.

## Declaração de Ruído e Vibração

Ver página 84.



Níveis de vibração.



Níveis sonoros.

ahd, ah: Níveis de vibração.

$K / K_{pA} = K_{WA} = 3 \text{ dB}$ : Incerteza.

L<sub>pA</sub>: Nível de pressão acústica.

L<sub>WA</sub>: Nível de potência acústica.

Todos os valores são atuais conforme data desta publicação. Para as informações mais recentes favor consultar [www.desouttertools.com](http://www.desouttertools.com).

Estes valores declarados foram obtidos por teste feito em laboratório de acordo com os padrões estipulados e não se destinam para utilização em avaliações de risco. Os valores medidos nos locais individuais de trabalho podem ser maiores que os valores declarados.

Os valores reais de exposição e o risco de ferimento sentidos por um usuário são específicos e dependem da maneira em que o usuário trabalha, da peça e do design da estação de trabalho, bem como do tempo de exposição e da condição física do usuário.

Nós da Desoutter, não podemos nos responsabilizar pelas consequências causadas pelos valores declarados, ao invés dos valores que refletem a exposição real, e pela avaliação de risco individual em um ambiente de trabalho sobre o qual não temos controle.

**Zampini Industrial Group**

**AirToolPro.com**

**1-800-353-4676**

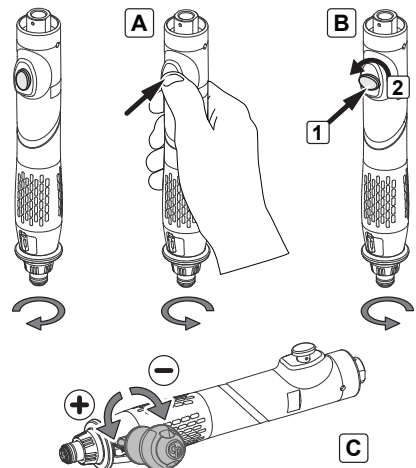
Esta ferramenta pode provocar o síndrome de vibração das mãos e braços, caso não seja manuseada de forma adequada. Pode encontrar um guia da UE sobre a vibração das mãos e braços em [http://www.pneurop.eu/uploads/documents/pdf/PN3-02-NV\\_Declaration\\_info\\_sheet\\_0111.pdf](http://www.pneurop.eu/uploads/documents/pdf/PN3-02-NV_Declaration_info_sheet_0111.pdf)

Recomendamos um programa de vigilância médica para detectar atempadamente sintomas, que possam estar relacionados com a exposição à vibração, para que os procedimentos de manuseamento possam ser modificados, por forma a ajudar a evitar prejuízos futuros.

## FUNCIONAMENTO

Com o acessório correcto equipado, ligue a ferramenta ao fornecimento de ar. Agarre a ferramenta em volta da caixa do motor, na superfície de borracha e pressione a ferramenta para o fixador de rosca que tem de ser apertado. O motor irá começar a trabalhar e apertará o fixador à torção necessária. A torção necessária é alcançada através do ajuste da tensão na mola de engate (C). Nesta altura, a tracção interna é libertada e o ar do motor é cortado.

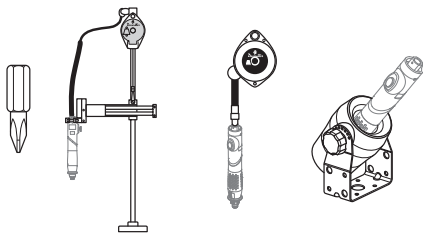
Para desapertar, pressione e mantenha o botão no topo da ferramenta (A), depois pressione a ferramenta no fixador que necessita de ser desapertado, o motor irá começar a trabalhar e a desapertar o fixador. Este botão pode ser trancado na posição premeida, se rodado (B).



## ACESSÓRIOS

Todos os acessórios estão disponíveis nos seguintes catálogos:

- Ferramentas industriais
  - UK 2050484013
  - FR 2050484023
  - GER 2050484033
  - SP 2050484043
  - IT 2050484053
  - US 2050484063
  - PORT 2050499023
  - RUS 2050499013
  - CHIN 2050499033
  - KOR 2050519203
  - MEX 2050519213



## LUBRIFICAÇÃO



Esta é uma ferramenta DRYLINE concebida para funcionar numa linha de ar totalmente seca, ou seja, sem óleo ou humidade. As ferramentas DRYLINE também podem funcionar numa linha de ar lubrificada ou parcialmente lubrificada, permitindo uma adaptação fácil às instalações existentes.

Se for necessária lubrificação, deve ser introduzido um lubrificador de linha de ar a jusante do filtro.

Utilize um lubrificante ISO VG 15 (27652).

*Nota: a potência máxima é atingida através da utilização de uma fonte de ar lubrificada.*

## INSTRUÇÕES DE MANUTENÇÃO



O uso de outras peças sobressalentes/ acessórios que não aqueles inicialmente fornecidos pelo fabricante, pode resultar numa diminuição do desempenho e/ou necessidade acrescida de manutenção/ nível de ruído / vibrações, e consequentemente, no total cancelamento da responsabilidade do fabricante.



- A assistência deve ser efectuada em intervalos de 1000 horas de utilização.
- Todos os valores de binário  $\pm 10\%$ .
- As superfícies de borracha devem ser mantidas limpas com um desengordurante de uso geral, não agressivo.



Para a eliminação dos componentes, lubrificantes, etc. certificar-se que os processos de segurança são respeitados.



Nunca ligue uma ferramenta montada ao ar de alimentação. As lâminas do rotor nesta ferramenta possuem um conteúdo PTFE. As recomendações normais de segurança e saúde relativamente ao PTFE devem ser observadas quando se manusear com estas lâminas de rotor.

- Não fume.
- Os componentes do motor devem ser lavados com um líquido de limpeza e não soprar com uma linha de ar.
- Lavar as mãos antes de iniciar qualquer outra actividade.

## GARANTIA DESOUTTER

1. Este produto Desoutter está garantido contra defeito de fabrico ou de material, durante um período máximo de 12 meses a contar da data de compra à Desoutter ou a um dos seus agentes, com a condição de que a utilização do produto se tenha limitado ao funcionamento em turno único durante esse período. Caso a utilização tenha ultrapassado os limites do funcionamento em turno único, o período de garantia será reduzido proporcionalmente.
2. Caso o produto apresente sinais de defeito de fabrico ou de material durante o período de garantia, deverá ser devolvido à Desoutter ou a um dos seus agentes, juntamente com uma breve descrição do suposto defeito. Ficará a critério exclusivo da Desoutter a decisão de reparar ou substituir gratuitamente os artigos considerados defeituosos devido a erro de fabrico ou de material.
3. A presente garantia não se aplicará a produtos que tenham sido submetidos a abuso, utilização incorrecta ou modificações, ou que tenham sido reparados com outras peças que não as peças sobresselentes genuínas Desoutter, ou por outro agente que não o próprio fabricante Desoutter ou um técnico de reparações autorizado pelo mesmo.
4. Caso a Desoutter incorra em alguma despesa na reparação de uma falha resultante de abuso, utilização incorrecta, dano accidental ou modificação não autorizada, tal despesa deverá ser liquidada na íntegra.
5. A Desoutter não aceita qualquer reclamação relativa a mão-de-obra ou despesas de outra natureza, que diga respeito a produtos defeituosos.
6. Quaisquer danos directos, accidentais ou consequenciais que decorram de qualquer defeito estão expressamente excluídos.
7. A presente garantia substitui todas as demais garantias ou condições, expressas ou implícitas, no que respeita a qualidade, viabilidade comercial ou adequação do produto a qualquer finalidade específica.
8. Nenhuma pessoa, seja agente, empregado ou funcionário da Desoutter, está autorizada a fazer aditamentos ou modificar os termos desta garantia limitada, seja de que forma for.

## Alkuperäiset ohjeet.

### © COPYRIGHT 2014, DESOUTTER HP2 7SJ UK

Kaikki oikeudet pidätetään. Sisällön tai sen osien luvaton käyttö tai kopiointi on kielletty. Tämä koskee erityisesti tavaramerkkejä, mallimerkintöjä, osanumeroita ja piirustuksia. Käytä ainoastaan alkuperäisiä osia. Takuu tai tuotevastuu ei kata muiden kuin alkuperäisten osien käytöstä aiheutunutta vahinkoa tai vikaa.

## KÄYTTÖILMOITUS

Tämä tuote on valmistettu puisten, metallisten ja muovisten kierteellisten kiinnittimien asennukseen ja poistoon.

Muunlainen käyttö on kielletty.

Tarkoitettu ammattikäyttöön.

## TIEDOT

Ks. sivu 5.

## Melu ja värinäseloste

Ks. sivu 84.



Värähtelytaso.



Melutaso.

**a<sub>hd</sub>**, **a<sub>h</sub>**: Värähtelytaso.

**K / K<sub>pA</sub> = K<sub>WA</sub> = 3 dB**: Epävarmuus.

**L<sub>pA</sub>**: Äänenpainetaso.

**L<sub>WA</sub>**: Äänen tehotaso.

Kaikki arvot ovat ajankohtaisia tämän julkaisun päivämääränä. Katso uusimmat tiedot osoitteesta [www.desouttertools.com](http://www.desouttertools.com).

Tässä ilmoitetut arvot on saatu mainittujen normien mukaisissa laboratoriotesteissä. Ne eivät riitä riskien määrittämiseen. Yksittäisissä työpisteissä mitatut arvot voivat olla selosteessa mainittuja arvoja suuremmat.

Todelliset altistusarvot ja yksilöön kohdistuvat haitalliset vaikutukset ovat yksilöllisiä. Ne riippuvat työskentelytavasta, työstettävästä kappaleesta, työaseman rakenteesta, altistusajasta ja käyttäjän terveydentilasta. Sen vuoksi Desoutter ei voi olla vastuussa tässä ilmoitettujen arvojen käytöstä (todellisten altistusarvojen sijasta) työpisteessä vallitsevan yksilöllisen riskin määrittämiseen ja siitä aiheutuvista seuraamuksista, olosuhteissa, joihin emme voi millään tavalla vaikuttaa.

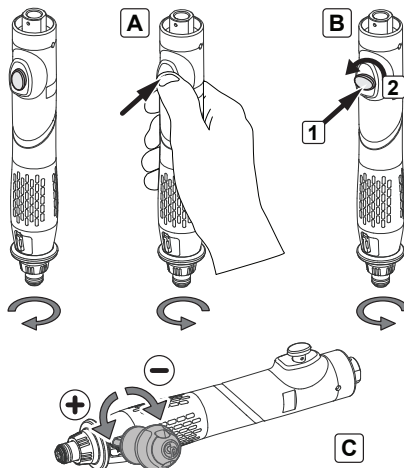
Tämä työkalu saattaa aiheuttaa käden ja käsivarren HAV-oireyhtymän ellei sitä käytetä ohjeiden mukaisesti. EU-ohje HAV-oireyhtymän käsittelemiseksi löytyy osoitteesta [http://www.pneurop.eu/uploads/documents/pdf/PN3-02-NV\\_Declaration\\_info\\_sheet\\_0111.pdf](http://www.pneurop.eu/uploads/documents/pdf/PN3-02-NV_Declaration_info_sheet_0111.pdf)

Suosittamme säännöllisiä terveystarkastuksia tärinäaltistuksen aiheuttamien, tärinänsairauteen viittaavien oireiden havaitsemiseksi ajoissa, jotta työnohjauksella ja työympäristöön vaikuttavilla toimilla voidaan estää oireiden paheneminen tulevaisuudessa.

## KÄYTTÄMINEN

Kun kaikki lisäosat on liitetty oikein, kytke työkalu ilmalähteeseen. Ota kiinni työkalun moottoriosan muovipinnasta ja paina työkalu kiinni kierteelliseen kiinnittimeen joka tulee kiristää kiinni. Moottori käynnistyy ja kiristää kiinnittimet vaadittuun kireyteen. Vaaaditun kireyden voi saada aikaiseksi säätämällä kytkinvieterin jännitystä (C). Tässä vaiheessa laitteen sisäinen moottori kytkeytyy pois päältä ja moottorille kulkeutuva ilma sulkeutuu.

Löysentääksesi, paina ja pidä nappia työkalun yläpuolella (A) jonka jälkeen paina työkalu kiinni kiinnikkeeseen jota haluat löysentää. Tämän jälkeen moottori käynnistyy ja löysentää kiinnityksen. Tämän painikkeen voi lukittaa paikoilleEN mikäli sitä kierritetään (B).

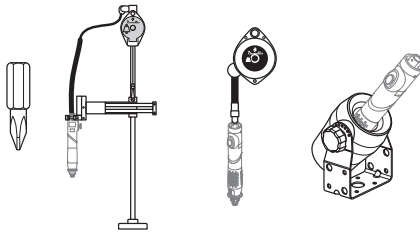


## VARAOSAT

Kaikkia varaosia on saatavilla seuraavista luetteloista:

### • Teollisuustyökalut

- UK	2050484013
- FR	2050484023
- GER	2050484033
- SP	2050484043
- IT	2050484053
- US	2050484063
- PORT	2050499023
- RUS	2050499013
- CHIN	2050499033
- KOR	2050519203
- MEX	2050519213



## VOITTELEMINEN



Tämä on DRYLINE-työkalu, joka on suunniteltu käytettäväksi täysin kuivassa paineilma-averkossa, jossa ei ole yhtään öljyä tai veden aiheuttamaa kosteutta. DRYLINE-työkaluja voi käyttää myös voidelluissa tai osittain voidelluissa paineilma-averkoissa, joten työkalut on helppo asentaa olemassa olevien laitteiden paikalle.

Jos voitelu on tarpeen, suodattimen jälkeen on asennettava paineilma-averkon voitelulaite.

Noudata ISO VG 15 (27652) -luokitusta.

*Huomautus: täysi teho saavutetaan käyttämällä voideltua ilmansyöttöä.*

## HUOLTO-OHJEET



Muiden kuin valmistajan alkuperäisten varaosien/lisäosien käyttö voi johtaa huonontuneeseen suorituskykyyn ja/tai lisääntyneeseen huoltoon / melutasoon / ääriinään ja näiden seurauksena jopa koko valmistajan takuun peruuttamiseen.



- Huolto on tehtävä 1 000 käyttötunnin välein.
- Kaikki kiristysmomenttiarvot  $\pm 10\%$ .
- Kumipinnat tulisi pyyhkiä puhtaaksi yleispuhdistusaineella, joka tehoaa rasvaan.



Komponenttien, jätteöljyjen jne. hävittämisessä on noudatettava turvallisuusmääräysten mukaista käytäntöä.



Älä koskaan liitä jo asennettua työkalua paineilmalähteeseen. Tuotteen moottorinterillä on PTFE (Teflon) –pinnoitus. Laitteen teriä käsitellessä tulee noudattaa PTFE (Teflon) –pinnoitteen turvallisuusmääräyksiä ja suosituksia.

- Älä polta laitteen läheisyydessä.
- Moottorin komponentit tulisi pestä puhdistusaineella eikä puhaltaa puhtaaksi paineilamalla.
- Pese kätesi laitteen käytön jälkeen.

## DESOUTTER-TAKUU

1. Tällä Desoutter-tuotteella on takuu, joka kattaa valmistus- ja materiaaliviat enintään 12 kuukauden ajan siitä, kun tuote on ostettu Desoutter:ltä tai sen jälleenmyyjältä edellyttäen, että tuotetta on tämän ajanjakson aikana käytetty vain yksivuorotyössä. Jos tuotetta on käytetty useassa vuorossa peräkkäin, takuun kattama ajanjakso lyhenee suhteessa tuotteen käyttöön.
2. Jos tuotteessa ilmenee takuuajana valmistus- tai materiaalivika, se on palautettava Desoutter:lle tai sen jälleenmyyjälle, ja väitetystä viasta on annettava lyhyt selvitys. Desoutter korjaa tai vaihtaa harkintansa mukaan ilmaiseksi sellaiset tuotteet, joissa havaitaan valmistustai materiaalivika.
3. Takuu ei ole voimassa, jos tuotetta on käytetty virheellisesti tai muutettu tai jos sen korjaamisessa on käytetty muita kuin alkuperäisiä Desoutter-varaosia tai jos korjauksen on suorittanut joku muu kuin Desoutter tai sen valtuuttama jälleenmyyjä.
4. Jos Desoutter:lle aiheutuu kuluja sellaisen vian korjaamisesta vian aiheutuessa tuotteen virheellisestä käytöstä, vahingosta tai luvattomasta muuttamisesta, Desoutter vaatii näiden kulujen korvaamisen kokonaisuudessaan.
5. Desoutter ei ota vastaan minkäänlaisia viallisista tuotteista esitettyjä työkuluihin tai muihin kustannuksiin liittyviä maksuvaateita.
6. Takuu ei kata minkäänlaisia vikojen mahdollisesti aiheuttamia suoranaisia, satunnaisia tai käytön aikana aiheutuvia kustannuksia.
7. Tämä takuu annetaan kaikkien muiden suoraan tai epäsuoraan vaikuttavien takuiden tai ehtojen asemesta tuotteen laatuun, myyntikelpoisuuteen tai tiettyyn tarkoitukseen sopivuuteen nähden.
8. Desoutter:n jälleenmyyjällä, palveluhenkilöstöllä tai työntekijöillä ei ole valtuuksia tehdä mitään lisäyksiä tai muutoksia tämän rajoitetun takuun ehtoihin.



## Originalinstruktioner.

### © COPYRIGHT 2014, DESOUTTER HP2 7SJ UK

Alla rättigheter förbehållna. All icke-auktorerad användning eller kopiering av innehållet eller del därav är förbjuden. Detta gäller speciellt för varumärken, modellbeteckningar, komponentnummer och ritningar. Använd endast originaldelar. Skador eller funktionsstörningar, som vållas av att andra delar används omfattas inte av garantin eller produktansvaret.

## ANVÄNDNINGSUPPGIFT

Denna produkt är utformad för att skruva fast och ta bort gängade fästelement från trä, metall och plast.

Ingen annan användning är tillåten.

Reserverad för en professionell användning.

## DATA

Se sid. 5.

## Buller- och vibrationsdeklaration

Se sid. 84.



Vibrationsnivåer.



Ljudnivåer.

**a<sub>hd</sub>**, **a<sub>h</sub>**: Vibrationsnivåer.

**K / K<sub>pA</sub> = K<sub>WA</sub> = 3 dB** : Osäkerhet.

**L<sub>pA</sub>** : Ljudtrycksnivå.

**L<sub>WA</sub>** : Ljudeffektnivå.

Alla värden gäller vid publiceringsdatum för detta dokument. För senaste information, besök [www.desouttertools.com](http://www.desouttertools.com).

De här fastställda värdena erhöles genom laboratorieprover i överensstämmelse med uppgivna standarder och är ej lämpliga för riskutvärderingar. Värden som uppmätts på individuella arbetsplatser kan vara högre än de fastställda värdena.

De faktiska exponeringsvärdena och risken för skada för en individuell användare är unik och beror på det sätt som användaren arbetar, arbetsstycket och arbetsplatsens konstruktion, såväl som på exponeringstiden och användarens fysiska tillstånd.

Vi, Desoutter, kan ej hållas ansvariga för följder vid användning av fastställda värden istället för värden som återkastar den faktiska exponeringen för en individuell riskutvärdering i en situation på en arbetsplats, över vilken vi ej har någon kontroll.

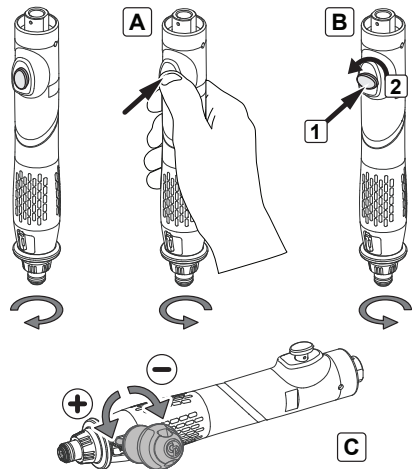
Detta verktyg kan orsaka vibrationssyndrom på handen-armen om verktyget inte hanteras på rätt sätt. Det finns EU-guide angående hantering av hand-arm vibrationer på [http://www.pneurop.eu/uploads/documents/pdf/PN3-02-NV\\_Declaration\\_info\\_sheet\\_0111.pdf](http://www.pneurop.eu/uploads/documents/pdf/PN3-02-NV_Declaration_info_sheet_0111.pdf)

För att förebygga eventuella framtida åkommor rekommenderar vi att hälsokontroller genomförs för att upptäcka tidiga symptom som kan bero på vibrationsrelaterade arbetsuppgifter.

## FUNKTION

Montera det tillbehör som du vill använda och anslut verktyget till tryckluftsuttaget. Håll i verktyget i motorhusets gummiförsedda del och tryck verktyget mot det gängade fästelement som ska sättas fast. Motorn startar och fästelementet skruvas fast med rätt vridmoment. Rätt vridmoment uppnås genom att justera kopplingsfjäders (C) spänning. Den interna drivmekanismen är nu avslagen och luften till motorn är fränkopplad.

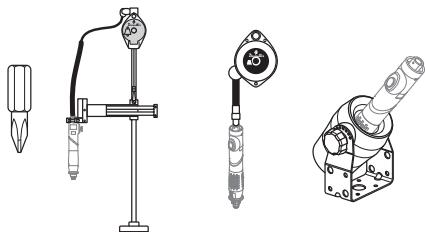
Gör så här för att skruva loss fästelement: Tryck på knappen högst upp på verktyget (A) och tryck sedan verktyget mot det fästelement som ska skruvas loss. Motorn startar och fästelementet skruvas loss. Denna knapp kan låsas i vald position om du vrider på den (B).



## TILLBEHÖR

Alla tillgängliga tillbehör finns i följande kataloger:

- Industriverktyg
  - UK 2050484013
  - FR 2050484023
  - GER 2050484033
  - SP 2050484043
  - IT 2050484053
  - US 2050484063
  - PORT 2050499023
  - RUS 2050499013
  - CHIN 2050499033
  - KOR 2050519203
  - MEX 2050519213



## SMÖRJNING



Det här är ett DRYLINE-verktyg som är utformat för användning på en helt torr luftledning, dvs. utan fuktning av olja eller vatten. DRYLINE-verktyg kan också användas på en smord eller delvis smord luftledning och på så sätt möjliggöra enkla utbyten med befintliga installationer.

Om smörjning krävs ska en smörjapparat för luftledning monteras nedströms från filtret.

Använd ISO VG 15 (27652).

*Obs! Full effekt uppnås vid användning av smord lufttillförsel.*

## UNDERHÅLLSINSTRUKTIONER



Användning av andra reservdelar/ tillbehör än de som tillhandahålls av tillverkaren kan leda till att maskinen fungerar sämre än normalt och/eller att den kräver mer underhåll och/eller att den blir högljudd och vibrerar mer. Tillverkarens garanti upphävs om några andra än originalreservdelar eller originaltillbehör används.



- Service bör utföras med intervall på 1 000 timmars användning.
- Alla vridmomentssiffror  $\pm 10\%$ .
- Verktygets gummidelar kan rengöras med ett mildt avfettningsmedel. Använd INTE aggressiva rengörings- eller lösningsmedel!



För omhändertagandet av komponenter, smörjmedel, etc... se till att säkerhetsprocedurerna tillämpas.



Anslut aldrig ett verktyg som inte är komplett till tryckluftsuttaget. Rotorbladen i detta verktyg innehåller PTFE (polytetrafluoreten). Följ hälso- och säkerhetsrekommendationerna vad gäller PTFE när du handskas med dessa rotorblad.

- Rök ej i närheten av maskinen.
- Motorkomponenterna måste rengöras med flytande rengöringsmedel och får inte blåsas rena med tryckluft.
- Tvätta händerna efter avslutat arbete.

## DESOUTTER-GARANTI

1. Den här Desoutter-produkten omfattas av garanti mot felaktig tillverkning eller felaktigt material under högst 12 månader fr.o.m. inköpsdatum från Desoutter eller dess agenter, förutsatt att användningen av den är begränsad till enskiftsdrift under den perioden. Vid högre användningsnivå än för enskiftsdrift minskas garantiperioden procentuellt i förhållande till användningsnivån.
2. Om produkten under garantiperioden verkar vara felaktig vad gäller tillverkning eller material ska den returneras till Desoutter eller dess agenter, tillsammans med en kort beskrivning av felet. Desoutter ska, enligt eget gottfinnande, kostnadsfritt ordna med reparation eller ersätta sådana artiklar som bedöms vara defekta p.g.a. felaktig tillverkning eller felaktigt material.
3. Den här garantin gäller inte för produkter som vanvårdats, använts på fel sätt eller modifierats, eller har reparerats med andra reservdelar än äkta Desoutter-reservdelar eller av någon annan än Desoutter eller dess auktoriserade serviceagenter.
4. Om Desoutter ådrar sig någon kostnad för rättning av fel som orsakats av vanvård, felaktig användning, oavsiktliga skador eller obehörig modifiering kommer fullständig ersättning av den aktuella kostnaden att krävas.
5. Desoutter accepterar inga krav för arbete eller andra insatser som görs för felaktiga produkter.
6. Alla eventuella direkta skador eller följdskador som uppstår genom en defekt undantas uttryckligen.
7. Den här garantin ersätter alla övriga garantier eller villkor, uttryckta eller underförstådda, vad gäller kvalitet, säljbarhet eller lämplighet för ett visst ändamål.
8. Ingen, vare sig agenter, tjänstemän eller anställda hos Desoutter, är behörig att lägga till eller ändra villkoren i den här begränsade garantin på något sätt.

## Opprinnelige instruksjoner.

### © COPYRIGHT 2014, DESOUTTER HP2 7SJ UK

Alle rettigheter forbeholdes. All ikke-autorisert anvendelse eller kopiering av innhold eller deler av dette, er forbudt. Dette gjelder spesielt varemerker, modellbetegnelser, delenummer og tegninger. Bruk kun originaldeler. Skader eller funksjonsforstyrrelser som følge av at originale deler er blitt brukt, omfattes ikke av garantien eller fabrikantens produktansvar.

## BRUKSERKLÆRING

Dette produktet er laget for å skru inn og skru ut gjengede festeanordninger i tre, metall og plast. Maskinen må ikke brukes til noen annen funksjon.



Forbeholdt profesjonell bruk.

## TEKNISKE DATA

Se side 5.

## Opplysninger om støy og vibrasjon

(Se side 84).

  Vibrasjonsnivå.

 Lydnivå.

**a<sub>hd</sub>, a<sub>h</sub>**: Vibrasjonsnivå.

**K / K<sub>pA</sub> = K<sub>WA</sub> = 3 dB** : Usikkerhet.

**L<sub>pA</sub>** : Lydtrykksnivå.

**L<sub>WA</sub>** : Lydtrykknivå.

Alle verdier er aktuelle ved dato for denne utgivelsen. For siste informasjon vennligst besøk [www.desouttertools.com](http://www.desouttertools.com).

Opplyste verdier ble oppnådd ved tester som brukes i laboratorier i overensstemmelse med uttalte standarder og er ikke tilstrekkelige til bruk ved risikovurdering. Verdier målt på enkeltarbeidsplasser kan være høyere enn opplyste verdier.

Faktiske eksponeringsverdier og risiko for skade som erfares av en enkelt bruker er unike og er avhengig av måten brukeren arbeider på, arbeidsstykket og arbeidsstasjonens utforming, så vel som eksponeringstid og brukerens fysiske tilstand.

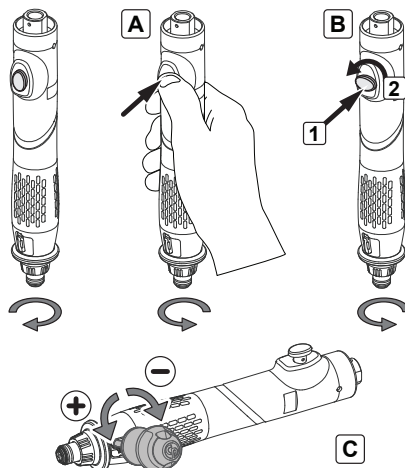
Vi, Desoutter, kan ikke holdes ansvarlige for konsekvenser ved bruk av opplyste verdier isteden for verdier som reflekterer faktisk eksponering, og den enkeltes risikovurdering i en situasjon på arbeidsplassen som vi ikke har kontroll over.

Verktøyet kan forårsake hånd/armvibrasjonssyndrom hvis bruken ikke håndteres på riktig måte. En EU-veiledning om styring av hånd-armvibrasjon er å finne på [http://www.pneurop.eu/uploads/documents/pdf/PN3-02-NV\\_Declaration\\_info\\_sheet\\_0111.pdf](http://www.pneurop.eu/uploads/documents/pdf/PN3-02-NV_Declaration_info_sheet_0111.pdf)  
Vi anbefaler at bedriftshelseetjenesten gjennomfører et program for å avdekke tidlige tegn på vibrasjonseksponering, slik at prosedyrene kan endres for å bidra til å unngå fremtidig svekkelse.

## BRUK

Når du har satt på riktig tilbehør, kan du koble verktøyet til lufttilførselen. Ta tak i verktøyet på gummiflatten på motordekslet, og dytt verktøyet inn i den gjengede festeanordningen som skal skrues fast. Motoren starter og strammer festeanordningen ved hjelp av ønsket dreiemoment. Du oppnår ønsket dreiemoment ved å justere trykket på koblingsfjæren (C). Nå er den interne drivakselen løs, og lufttilførselen til motoren er avbrutt.

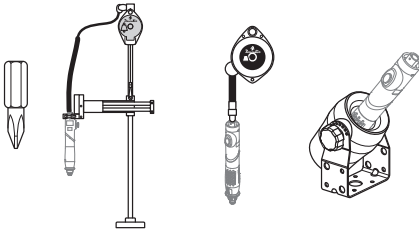
Hvis du vil skru løs, trykker du på og holder inne knappen oppe på verktøyet (A). Deretter dytter du verktøyet inn i festeanordningen som skal skrues løs. Motoren starter og løser festeanordningen. Knappen kan låses i nedtrykket posisjon hvis den roteres (B).



## TILBEHØR

Alt tilbehør er tilgjengelig i følgende kataloger:

- Industrial tools
  - UK 2050484013
  - FR 2050484023
  - GER 2050484033
  - SP 2050484043
  - IT 2050484053
  - US 2050484063
  - PORT 2050499023
  - RUS 2050499013
  - CHIN 2050499033
  - KOR 2050519203
  - MEX 2050519213



## SMØRING



Dette er et DRYLINE-verktøy som er beregnet på en helt tørr luftledning, det vil si en ledning uten fuktighet fra vann eller olje. DRYLINE-verktøy kan også brukes på en smurt eller delvis smurt luftledning, og dermed kan de enkelt benyttes sammen med eksisterende installasjoner.

Hvis smøring er nødvendig, skal det installeres en smøreenhet etter filteret. Bruk ISO VG 15 (27652).

*Merk: Full kraft oppnås ved bruk av lufttilførsel med smøring.*

## VEDLIKEHOLDSANVISNINGER



Bruk av deler/tilbehør som ikke er originalt og levert av produsenten, kan resultere i dårligere ytelse og/eller økt vedlikeholdsbehov/støynivå/vibrasjoner. Bruk av deler/tilbehør som ikke er originalt, resulterer i at produsenten fraskriver seg alt ansvar.



- Service skal utføres med intervaller på 1000 timers bruk.
- Alle tall for tiltrekingsmoment  $\pm 10\%$ .
- Gummiflater bør rengjøres med et vanlig, ikke-etsende avfetningsmiddel.



For eliminering av komponenter, smøremidler, osv., skal man påse at alle sikkerhetsforskrifter blir overholdt.



Du må aldri koble et delvis sammensatt verktøy til lufttilførselen. Rotorbladene i dette verktøyet har PTFE-innhold. De vanlige helse- og sikkerhetsanbefalingene i henhold til PTFE bør følges når du håndterer disse rotorbladene.

- Ikke røyk.
- Motorkomponenter må rengjøres med vaskemidler, og ikke ved hjelp av luft.
- Vask hendene før du begynner med andre aktiviteter.

## DESOUTTER-GARANTI

1. Dette Desoutter-produktet leveres med garanti mot defekter i utførelsen eller materialet i opptil 12 måneder etter datoen da produktet ble kjøpt av Desoutter eller dets agenter, forutsatt at bruken av produktet er begrenset til enkeltskiftdrift i denne perioden. Hvis bruken overgår enkeltskiftdrift, reduseres garantiperioden tilsvarende.
2. Hvis produktet i løpet av garantiperioden ser ut til å ha defekter i utførelsen eller materialet, skal produktet returneres til Desoutter eller dets agenter sammen med en kort beskrivelse av feilen. Desoutter skal, etter eget skjønn, kostnadsfritt reparere eller erstatte produkter som de mener har defekter i utførelsen eller materialet.
3. Garantien gjelder ikke for produkter der defekten skyldes feil bruk, misbruk eller endringer av produktet, eller produkter som har blitt reparert uten bruk av ekte reservedeler fra Desoutter, eller hvis reparasjonen har blitt utført av andre enn Desoutter eller dets autoriserte serviceagenter.
4. Hvis Desoutter pådrar seg utgifter ved reparasjoner som skyldes feil bruk, misbruk, uhell eller uautoriserte endringer, må alle slike kostnader bæres av kunden.
5. Desoutter godtar ingen erstatningskrav vedrørende arbeidskostnader eller andre utgifter i forbindelse med defekte produkter.
6. Desoutter fraskriver seg uttrykkelig ethvert erstatningsansvar når det gjelder direkte, tilfeldige eller påfølgende kostnader som skyldes defekte produkter.
7. Garantien gis i stedet for alle andre garantier eller betingelser, enten disse er uttrykte eller underforståtte, når det gjelder kvalitet, salgbarhet eller egnethet for noe som helst formål.
8. Ingen, verken agenter, tjenesteytere eller ansatte hos Desoutter, har rett til å utvide eller endre vilkårene i denne begrensede garantien på noen som helst måte.

## Opriidelige anvisninger.

### © COPYRIGHT 2014, DESOUTTER HP2 7SJ UK

Alle rettigheder forbeholdes. Indholdet eller dele deraf må ikke anvendes eller kopieres uden tilladelse. Dette gælder i særdeleshed varemærker, modelbetegnelser, delnumre og tegninger. Brug kun originale dele. Beskadigelse eller svigt som følge af brug af uoriginale dele er ikke dækket af garantien eller produktansvaret.

## ERKLÆRING OM BRUG

Dette produkt er beregnet til at installere og fjerne fastgørelsesenheder med gevind i/ fra træ, metal og plastik.

Al anden brug er forbudt.

Forbeholdt professionel brug.

## DATA

Se side 5.

## Støj- og vibrationsdeklaration

Se side 84.



Vibrationsniveau.



Støjniveau.

**ahd, ah:** Vibrationsudsendelse.

**K / K<sub>pA</sub> = K<sub>WA</sub> = 3 dB :** Usikkerhed.

**L<sub>pA</sub> :** Lydtryksniveau.

**L<sub>WA</sub> :** Lydeffekt.

Alle værdier er aktuelle på datoen for denne publikation. Se [www.desouttertools.com](http://www.desouttertools.com) for at få de seneste oplysninger.

De ovenstående værdier blev opnået under laboratorieforsøg i overensstemmelse med de ovenstående standarder og er ikke tilstrækkeligt grundlag til vurdering af risiko forbundet med brug af udstyret. Værdier målt på det individuelle arbejdsområde kan være højere end de ovennævnte værdier.

Den faktiske udsættelse for skadelig støj eller vibration og den risiko, der opleves af brugeren, er enestående afhængige af den måde, individet arbejder på, og hvordan arbejdsområdet er anlagt, såvel som udsættelsens varighed og brugerens fysiske kondition.

Vi, Desoutter, kan ikke påtage os noget ansvar for anvendelse af de ovenstående værdier i stedet for anvendelse af værdier, der er opnået i den faktiske arbejdsituation, som grundlag for vurdering af risiko forbundet med brug i en arbejdsituation, vi ikke har nogen kontrol over.

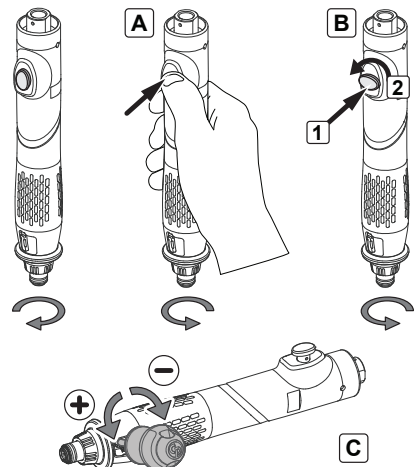
Dette værktøj kan fremkalde hånd-armvibrationsyndrom, hvis brugen af det ikke styres på hensigtsmæssig vis. En EU-vejledning i styring af hånd-arm-vibration kan findes på [http://www.pneurop.eu/uploads/documents/pdf/PN3-02-NV\\_Declaration\\_info\\_sheet\\_0111.pdf](http://www.pneurop.eu/uploads/documents/pdf/PN3-02-NV_Declaration_info_sheet_0111.pdf)

Vi anbefaler et helbredsovervågningsprogram, så tidlige symptomer på vibrationseksposering kan blive opdaget, og delsesprocedurerne kan ændres mhp. at forebygge fremtidige skader.

## BETJENING

Med det korrekte udstyr monteret tilsluttes værktøjet til luftforsyningen. Tag fat om motoraksen ved gummioverfladen, og tryk værktøjet ind i den gevindenhed, der skal skrues til. Motoren starter og strammer fastgørelsesenheden til det krævede spændingsmoment. Det krævede spændingsmoment opnås ved at justere spændingen på koblingsfjederen (C). Ved dette punkt er det interne driv frakoblet, og luften afskåret til motoren.

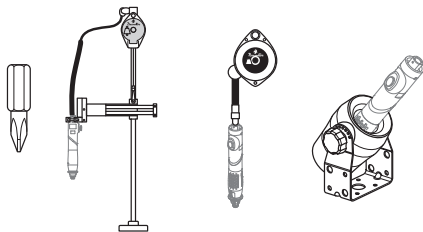
For at løsne, trykkes og holdes nede på knappen A øverst på værktøjet, derefter trykkes værktøjet ind i den fastgørelsesenhed, der skal løsnes, motoren vil begynde at løsne fastgørelsen. Denne knap kan låses i indtrykket position, hvis den drejes (B).



## TILBEHØR

Alt tilbehør findes i de følgende kataloger:

- Industriværktøj
  - UK 2050484013
  - FR 2050484023
  - GER 2050484033
  - SP 2050484043
  - IT 2050484053
  - US 2050484063
  - PORT 2050499023
  - RUS 2050499013
  - CHIN 2050499033
  - KOR 2050519203
  - MEX 2050519213



## SMØRING



Dette er værktøj fra DRYLINE er konstrueret til at køre på en helt tør trykluftsslange, dvs. en uden olie- eller vanddamp. Værktøj fra DRYLINE kan desuden betjenes på en smurt eller delvist smurt trykluftsslange, hvilket gør det nemt at bytte rundt på eksisterende installationer.

Hvis smøring er påkrævet, skal der monteres en smøreledning nedstrøms for filteret.

Brug ISO VG 15 (27652).

*Bemærk: Der opnås fuld effekt ved at bruge en smurt luftslange.*

## VEDLIGEHODELSESINSTRUKTIONER



Brug af andre reservedele/ andet tilbehør end dem, der originalt medfølger fra fabrikanten, kan medføre fald i ydeevnen og/eller forøge vedligeholdelsen/støjniveauet/vibrationerne, og som resultat heraf komplet bortfald af fabrikantens ansvar.



- Vedligeholdelse skal udføres efter hver 1000 timers brug.
- Alle momentværdier  $\pm 10\%$ .
- Gummioverflader skal tørres rene med et almindeligt, ikke aggressivt affedningsmiddel.



Ved bortskaffelse af komponenter, smøremidler, osv. skal man sikre sig, at sikkerhedsreglerne er overholdt.



Tilslut aldrig et delvis samlet værktøj til luftforsyningen. Rotorbladene i dette værktøj har et indhold af PTFE. De normale sundheds- og sikkerhedsanbefalinger angående PTFE skal overholdes ved håndtering af disse rotorblade.

- Rygning er forbudt.
- Motorkomponenter skal vaskes med rensesvæske og blæses tørre med en luftlinje.
- Vask hænder, før du påbegynder anden aktivitet.



## DESOUTTER GARANTI

1. Dette Desoutter produkt er garanteret mod defekter i udførelse eller materialer for en periode på maks. 12 måneder efter den dato, det er købt hos Desoutter eller dennes forhandlere, under forudsætning af at dets brug er begrænset til enkeltholdsdrift i hele perioden. Hvis produktet bruges til skifteholdsdrift, reduceres garantiperioden forholdsmæssigt.
2. Hvis produktet i løbet af garantiperioden viser sig at være defekt i udførelse eller materiale, skal det returneres til Desoutter eller dennes forhandlere, sammen med en kort beskrivelse af den påståede defekt. Desoutter vil, efter eget skøn, sørge for reparation eller udskiftning af de dele, der anses for at være defekte i udførelse eller materiale uden beregning.
3. Denne garanti bortfalder for produkter, der er blevet misbrugt, brugt forkert eller ændret, eller er blevet repareret med reservedele, som ikke er originale Desoutter reservedele, eller af andre end Desoutter eller dennes autoriserede forhandlere.
4. Hvis Desoutter skulle have omkostninger i forbindelse med korrigering af en defekt som følge af misbrug, forkert brug, hændeligt uheld eller uautoriserede ændringer, vil Desoutter kræve, at disse udgifter bliver godtgjort fuldt ud.
5. Desoutter accepterer ikke krav om arbejds løn eller andre udgifter i forbindelse med de defekte produkter.
6. Alle direkte eller hændelige skader eller følgeskader, der måtte opstå som følge af en defekt, er ikke omfattet af denne garanti.
7. Denne garanti gives i stedet for andre garantier, eller betingelser, udtrykkelige eller underforståede, med hensyn til kvaliteten, salgbarheden eller egnetheden til et bestemt formål.
8. Ingen, hverken forhandlere, assistenter eller andre medarbejdere hos Desoutter, er på nogen måde autoriseret til at indsætte tilføjelser til eller foretage ændringer i betingelserne for denne begrænsede garanti.

## Originale instructies.

### © COPYRIGHT 2014, DESOUTTER HP2 7SJ UK

Alle rechten voorbehouden. Het zonder toestemming gebruiken of kopiëren van de inhoud of delen daarvan is verboden. Dit is in het bijzonder van toepassing op gedeponeerde handelsmerken, modelaanduidingen, onderdeelnummers en tekeningen. Gebruik alleen goedgekeurde onderdelen. Schade of defecten die veroorzaakt zijn door het gebruik van niet-goedgekeurde onderdelen vallen niet onder de garantiebepalingen van het product en de fabrikant kan niet verantwoordelijk worden gesteld.

## GBRUIKSVERKLARING

Dit product is ontwikkeld voor het installeren en verwijderen van schroeven in hout, metaal en plastic.

Geen enkele andere toepassing is toegelaten. Uitsluitend bestemd voor professioneel gebruik.


## GEGEVENS

Zie pagina 5.

### Verklaring m.b.t. geluid en trillingen

Zie pagina 84.

  Vibratieniveaus.

 Geluidsniveaus.

**ahd, ah:** Vibratieniveaus.

**K / K<sub>pA</sub> = K<sub>WA</sub> = 3 dB :** Onzekerheid.

**L<sub>pA</sub> :** Geluidsdrukniveau.

**L<sub>WA</sub> :** Geluidsvermogeniveau.

Alle waarden zijn geldig vanaf de datum van deze publicatie. Bezoek voor de meest recente informatie [www.desouttertools.com](http://www.desouttertools.com)

Deze opgegeven waarden zijn verkregen uit laboratoriumtests overeenkomstig de opgegeven normen en zijn niet voldoende voor gebruik in risicobeoordeling.

Op individuele werkplekken gemeten waarden kunnen hoger zijn dan de opgegeven waarden. De feitelijke blootstellingswaarden en het door een individuele gebruiker ervaren risico van letsel zijn uniek en hangen af van de manier waarop de gebruiker werkt, het ontwerp van het werkstuk en het werkstation alsook van de blootstellingstijd en de fysieke conditie van de gebruiker.

Wij, Desoutter, kunnen niet aansprakelijk worden gesteld voor de gevolgen van het gebruik van de opgegeven waarden, in plaats van waarden

die de feitelijke blootstelling weergeven, bij een individuele risicobeoordeling op een werkpleksituatie waarover wij geen controle hebben.

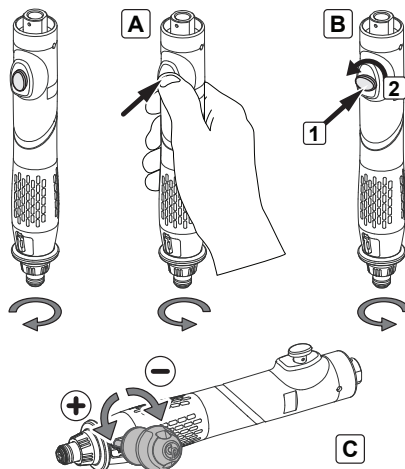
Dit gereedschap kan het hand-armtrillingsyndroom veroorzaken als het niet correct wordt gebruikt. Een EU-richtlijn voor het beheren van hand-arm-trillingen treft u aan op de website [http://www.pneurop.eu/uploads/documents/pdf/PN3-02-NV\\_Declaration\\_info\\_sheet\\_0111.pdf](http://www.pneurop.eu/uploads/documents/pdf/PN3-02-NV_Declaration_info_sheet_0111.pdf)

Wij adviseren een gezondheidscontrole op te zetten om al in een vroegstadium symptomen te kunnen waarnemen die gerelateerd zouden kunnen zijn aan blootstellingen aan trillingen, zodat managementprocedures aangepast kunnen worden om toekomstig letsel te voorkomen.

## BEDIENING

Sluit het gereedschap aan op de luchttoevoer als het juiste accessoire is aangesloten. Pak het gereedschap vast bij het rubberen oppervlak rond de motorbehuizing en druk het gereedschap in de schroef die u wilt aandraaien. De motor start en draait de schroef vast met het gewenste draaimoment. Het gewenste draaimoment kan worden ingesteld door de spanning op de koppelingsdrukveer (C) aan te passen. Op dit moment is de interne drijfkracht uitgeschakeld en de luchttoevoer naar de motor afgesloten.

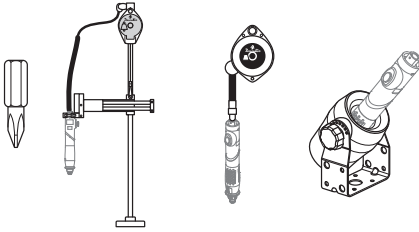
Om een schroef los te draaien, drukt u op de knop aan de bovenkant van het gereedschap (A) en houdt u deze ingedrukt. Daarna drukt u het gereedschap in de schroef die u wilt losdraaien. De motor start en zal de schroef losdraaien. Deze knop kan worden vastgezet in de ingedrukte stand als deze is omgedraaid (B).



## ACCESSORES

Alle accessoires zijn beschikbaar in de volgende catalogi:

- Industriële gereedschappen
  - UK 2050484013
  - FR 2050484023
  - GER 2050484033
  - SP 2050484043
  - IT 2050484053
  - US 2050484063
  - PORT 2050499023
  - RUS 2050499013
  - CHIN 2050499033
  - KOR 2050519203
  - MEX 2050519213



## SMERING



Dit is een DRYLINE-gereedschap dat is ontworpen voor gebruik met een geheel droge luchtleiding, dat wil zeggen zonder olie of water/vocht in de lucht. DRYLINEgereedschap werkt ook op gesmeerde of gedeeltelijk gesmeerde luchtleidingen, waardoor het gemakkelijk uitwisselbaar is met bestaande installaties.

Wanneer smering noodzakelijk is, dient luchtleidingsmering stroomafwaarts van het filter te worden aangebracht.

Gebruik ISO VG 15 (27652).

*Opmerking: het volledige vermogen wordt verkregen bij gebruik van gesmeerde luchttoevoer.*

## ONDERHOUDSINSTRUCTIES



Het gebruik van onderdelen/accessoires anders dan origineel geleverd door de leverancier kan resulteren in een prestatieverlies en/of meer onderhoud / hoger geluidsniveau / trillingen en als gevolg daarvan een volledige annulering van de aansprakelijkheid van de fabrikant.



- Onderhoud dient te worden uitgevoerd met intervallen van 1000 gebruiksuren.
- Alle aanhaalmomenten  $\pm 10\%$ .
- Rubber oppervlakten moeten worden schoongemaakt met een niet-agressieve ontvetter voor algemeen gebruik.



Voor verwijdering van onderdelen, smeerolie, enz. allereerst zekerstellen dat de veiligheidsvoorschriften gevolgd zijn.



Verbindt nooit een gedeeltelijk geassembleerd stuk gereedschap op de luchttoevoer. De rotorbladen van dit gereedschap bevatten PTFE. De normale aanbevelingen voor veiligheid en gezondheid betreffende PTFE moeten in acht worden genomen bij het bedienen van deze rotorbladen.

- Verboden te roken.
- Motoronderdelen moeten worden gewassen met een schoonmaakvloeistof en niet worden schoongebazen met een luchtleiding.
- Was uw handen voordat u een andere activiteit start.

## DESOUTTER-GARANTIEVOORWAARDEN

1. Dit Desoutter-product is gegarandeerd tegen materiaal- en/of constructiefouten, voor een maximumperiode van 12 maanden volgend op de datum van aankoop bij Desoutter of een van haar vertegenwoordigers, op voorwaarde dat het gebruik gedurende die periode wordt beperkt tot gebruik in éénploegendienst. Wanneer het gereedschap langer dan in éénploegendienst wordt gebruikt, wordt de garantieperiode naar rato verkort.
2. Wanneer het product tijdens de garantieperiode materiaal- of constructiefouten vertoont, dient het te worden geretourneerd naar Desoutter of een van haar vertegenwoordigers, met een korte omschrijving van het vermoedelijke defect. Desoutter zal, naar eigen oordeel, overgaan tot kosteloze reparatie of vervanging, wanneer blijkt dat het defect wordt veroorzaakt door materiaal- of constructiefouten.
3. Deze garantie komt te vervallen wanneer blijkt dat producten zijn misbruikt, onjuist behandeld of wanneer zij zijn gerepareerd met andere dan de originele Desoutter-reservedelen, of door anderen dan Desoutter of diens geautoriseerde onderhoudsvertegenwoordigingen.
4. Wanneer Desoutter wordt geconfronteerd met kosten voor het herstel van een defect ten gevolge van misbruik, onjuiste behandeling, schade door ongeval of door ongeoorloofde wijziging, dienen deze kosten volledig vergoed te worden.
5. Desoutter is niet aansprakelijk voor werkzaamheden of andere gemaakte kosten met betrekking tot defecte producten.
6. Elke directe, bijkomende of gevolgschade ten gevolge van een defect wordt nadrukkelijk uitgesloten.
7. Deze garantie wordt verstrekt in plaats van alle overige garanties of condities, expliciet of impliciet, met betrekking tot de kwaliteit, verhandelbaarheid of geschiktheid voor enig bepaald doel.
8. Niemand, met inbegrip van vertegenwoordigers en werknemers van Desoutter, heeft het recht om iets aan de voorwaarden van deze beperkte garantie toe te voegen of deze op enigerlei wijze te veranderen.

**Αρχικές οδηγίες.****© COPYRIGHT 2014, DESOUTTER HP2  
7SJ UK**

Με την επιφύλαξη όλων των δικαιωμάτων. Απαγορεύεται η χωρίς άδεια χρήση ή η αναπαραγωγή ολόκληρου ή τμήματος του παρόντος. Αυτό ισχύει ειδικότερα για τα καταθεθέντα σήματα, τις ονομασίες των μοντέλων, τον αριθμό εξαρτημάτων και τα σχήματα. Χρησιμοποιείτε αποκλειστικά και μόνο τα εξαρτήματα που επιτρέπονται. Οποιαδήποτε βλάβη ή δυσλειτουργία του μηχανήματος που οφείλεται στη χρήση εξαρτημάτων που δεν επιτρέπονται δεν καλύπτεται από την εγγύηση και ο κατασκευαστής δεν φέρει ουδεμία ευθύνη.

**ΔΗΛΩΣΗ ΧΡΗΣΗΣ**

Το παρόν προϊόν έχει σχεδιαστεί για την τοποθέτηση και αφαίρεση σπειροειδών συνδετήρων σε ξύλο, μέταλλο και πλαστικό. Απαγορεύεται οποιαδήποτε άλλη χρήση. Αποκλειστικά για επαγγελματική χρήση.

**ΔΕΔΟΜΕΝΑ**

Βλέπε σελίδα 5.

**Δήλωση θορύβου & κραδασμών**

Βλέπε σελίδα 84.



Μέγεθος κραδασμών.



Στάθμη θορύβου.

**a<sub>hd</sub>, a<sub>h</sub>**: Μέγεθος κραδασμών.

**K / K<sub>PA</sub> = K<sub>WA</sub> = 3 dB**: Αβεβαιότητα.

**L<sub>PA</sub>**: Επίπεδο ακουστικής πίεσης.

**L<sub>WA</sub>**: Επίπεδο ακουστικής ισχύος.

Όλες οι τιμές είναι σύγχρονες της ημερομηνίας της παρούσας έκδοσης. Για τις πιο πρόσφατες πληροφορίες, παρακαλούμε επισκεφτείτε το διαδικτυακό τόπο [www.desouttertools.com](http://www.desouttertools.com).

Αυτές οι δηλούμενες τιμές λήφθηκαν από δοκιμές εργαστηριακού τύπου σε συμμόρφωση με τα πρότυπα που δηλώθηκαν και δεν είναι επαρκείς για χρήση σε αξιολογήσεις κινδύνου.

Οι τιμές που μετρήθηκαν σε ανεξάρτητους χώρους εργασίας μπορεί να είναι υψηλότερες από τις τιμές που έχουν δηλωθεί. Η πραγματικές τιμές έκθεσης και ο κίνδυνος τραυματισμού ατομικού χρήστη είναι μοναδικές και εξαρτώνται από τον τρόπο με τον οποίο εργάζεται ο χρήστης, από το τεμάχιο εργασίας και το σχέδιο του σταθμού εργασίας, όπως και από το χρόνο έκθεσης και τη φυσική κατάσταση του χρήστη.

Εμείς, η εταιρία Desoutter, δεν φέρουμε νομική ευθύνη για τις συνέπειες από τη χρήση των δηλωμένων τιμών, αντί των τιμών που απαιτούνται για προσωπική έκθεση, σε

μια ανεξάρτητη αξιολόγηση κινδύνου σε μια κατάσταση εργασιακού κινδύνου της οποίας δεν έχουμε τον έλεγχο.

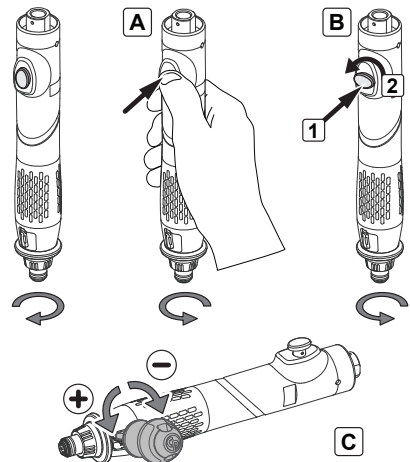
Αυτό το εργαλείο μπορεί να προκαλέσει σύνδρομο δόνησης χεριού-βραχίονα, σε περίπτωση ανεπαρκούς διαχείρισης της χρήσης του. Ένα κείμενο οδηγιών της ΕΕ σχετικά με τη διαχείριση της δόνησης χεριού-βραχίονα μπορείτε να βρείτε στη διεύθυνση [http://www.pneurop.eu/uploads/documents/pdf/PN3-02-NV\\_Declaration\\_info\\_sheet\\_0111.pdf](http://www.pneurop.eu/uploads/documents/pdf/PN3-02-NV_Declaration_info_sheet_0111.pdf)

Συνιστούμε την τήρηση προγράμματος ιατρικής παρακολούθησης, για να αναγνωρίζονται τυχόν αρχικά συμπτώματα που ενδέχεται να σχετίζονται με την έκθεση σε δονήσεις, έτσι ώστε να είναι δυνατή η τροποποίηση των διαδικασιών διαχείρισης και να αποτρέπεται η πρόκληση μελλοντικών σωματικών βλαβών.

**ΛΕΙΤΟΥΡΓΙΑ**

Αφού τοποθετήσετε το σωστό εξάρτημα, συνδέστε το εργαλείο στην παροχή αέρα. Κρατήστε το εργαλείο γύρω από τη θήκη του μοτέρ, στην ελαστική επιφάνεια και πιέστε το εργαλείο επάνω στο σπειροειδή συνδετήρα που θέλετε να σωφίξετε. Το μοτέρ θα τεθεί σε λειτουργία. Σωφίξτε το συνδετήρα στην απαιτούμενη ροπή. Για την επίτευξη της απαιτούμενης ροπής, ρυθμίστε την τάση του ελατηρίου τριβής (C). Σε αυτό το σημείο, ο εσωτερικός μηχανισμός μετάδοσης κίνησης αποσμπλέκεται και αποκόπτεται η παροχή αέρα στο μοτέρ.

Για να ξεσφίξετε, πιέστε και κρατήστε πιεσμένο το κουμπί που βρίσκεται στο επάνω μέρος του εργαλείου (A). Στη συνέχεια, πιέστε το εργαλείο προς το συνδετήρα που θέλετε να ξεσφίξετε. Το μοτέρ θα τεθεί σε λειτουργία και θα αρχίσει να ξεσφίγγει. Το κουμπί αυτό μπορεί να κλειδώσει στη θέση πίεσης, εάν περιστραφεί (B).



**Zampini Industrial Group**

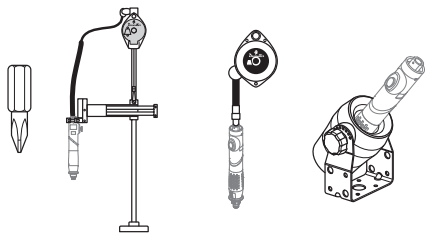
**AirToolPro.com**

**1-800-353-4676**

**ΕΞΑΡΤΗΜΑΤΑ**

Όλα τα εξαρτήματα υπάρχουν διαθέσιμα στους ακόλουθους καταλόγους:

- Βιομηχανικά εργαλεία
  - UK 2050484013
  - FR 2050484023
  - GER 2050484033
  - SP 2050484043
  - IT 2050484053
  - US 2050484063
  - PORT 2050499023
  - RUS 2050499013
  - CHIN 2050499033
  - KOR 2050519203
  - MEX 2050519213

**ΛΙΠΑΝΣΗ**

Πρόκειται για ένα εργαλείο DRYLINE σχεδιασμένο έτσι ώστε να λειτουργεί σε γραμμή πλήρως ξηρού αέρα, δηλαδή σε γραμμή χωρίς λιπαντικό ή χωρίς υγρασία. Τα εργαλεία DRYLINE μπορούν επίσης να λειτουργούν σε λιπασμένη ή μερικώς λιπασμένη γραμμή αέρα, επιτρέποντας έτσι την εύκολη εναλλαξιμότητα με υπάρχουσες εγκαταστάσεις.

Εάν απαιτείται λίπανση, τότε θα πρέπει να τοποθετείται λιπαντήρας για τη γραμμή αέρα μετά το φίλτρο.

Χρησιμοποιείτε το ISO VG 15 (27652).

*Σημείωση: πλήρης ισχύς επιτυγχάνεται με τη χρήση παροχής αέρα χωρίς λίπανση.*

**ΟΔΗΓΙΕΣ ΓΙΑ ΤΗ ΣΥΝΤΗΡΗΣΗ**

Η χρήση ανταλλακτικών / εξαρτημάτων, διαφορετικών από αυτά που παρέχονται αρχικά από τον κατασκευαστή, ενδέχεται να οδηγήσει σε υποβάθμιση της απόδοσης ή/και αυξημένη απαίτηση συντήρησης / στάθμη θορύβου / δονήσεις, με αποτέλεσμα την πλήρη ακύρωση της ευθύνης του κατασκευαστή.



- Οι εργασίες σέρβις θα πρέπει να εκτελούνται κάθε 1000 ώρες χρήσης.
- Τηρείτε τις τιμές ροπής με απόκλιση  $\pm 10\%$ .
- Οι πλαστικές επιφάνειες πρέπει να σκουπιστούν και να καθαριστούν με μη δραστικό απολιπαντικό γενικής χρήσης.



Κατά την απόσυρση εξαρτημάτων, την απόρριψη λιπαντικών κλπ, βεβαιωθείτε ότι ακολουθούνται οι σχετικές διαδικασίες ασφαλείας.



Εάν το εξάρτημα δεν έχει τοποθετηθεί σωστά, μην συνδέσετε το εργαλείο στην παροχή αέρα. Στο εργαλείο αυτό, τα πτερύγια του μοτέρ περιέχουν πολυτετραφθοροαιθυλένιο (PTFE). Κατά το χειρισμό αυτών των πτερυγίων, πρέπει να τηρούνται οι συνηθισμένες συστάσεις περί υγείας και ασφαλείας σχετικά με το πολυτετραφθοροαιθυλένιο.

- Μην καπνίζετε.
- Τα συστατικά τμήματα του μοτέρ πρέπει να πλένονται με υγρό καθαρισμού και να μην καθαρίζονται με πεπιεσμένο αέρα.
- Πλένετε τα χέρια σας προτού αρχίσετε οποιαδήποτε άλλη δραστηριότητα.

## ΕΓΓΥΗΣΗ ΤΗΣ DESOUTTER

1. Αυτό το προϊόν της Desoutter καλύπτεται από εγγύηση που αφορά σε ελαττώματα εργασίας ή υλικών, για μια χρονική περίοδο έως 12 μηνών από την ημερομηνία αγοράς από την Desoutter ή αντιπρόσωπό της, με την προϋπόθεση ότι η χρήση του περιορίζεται στην εργασία μίας βάρδιας για τη συγκεκριμένη χρονική περίοδο. Εάν ο ρυθμός χρήσης υπερβαίνει την εργασία μίας βάρδιας, η περίοδος της εγγύησης μειώνεται αναλόγως.
2. Εάν, κατά τη διάρκεια της περιόδου της εγγύησης, το προϊόν φαίνεται να παρουσιάζει κάποιο ελάττωμα εργασίας ή υλικών, θα πρέπει να το επιστρέψετε στην Desoutter ή σε αντιπρόσωπό της, μαζί με μια σύντομη περιγραφή του επικαλούμενου ελαττώματος. Η Desoutter, κατά την κρίση της, θα φροντίσει για την επιδιόρθωση ή την αντικατάσταση, χωρίς χρέωση, των εξαρτημάτων που θα βρεθούν ελαττωματικά από άποψη εργασίας ή υλικών.
3. Η εγγύηση αυτή παύει να ισχύει σε περίπτωση κατάχρησης, εσφαλμένης χρήσης ή τροποποίησης του προϊόντος ή σε περίπτωση που το προϊόν έχει επιδιορθωθεί με τη χρήση μη γνήσιων ανταλλακτικών Desoutter ή από άτομο εκτός των εξουσιοδοτημένων αντιπροσώπων της Desoutter.
4. Στην περίπτωση που η Desoutter επιβαρυνθεί με έξοδα για την επιδιόρθωση ελαττώματος το οποίο έχει προκύψει από κατάχρηση, εσφαλμένη χρήση, τυχαία ζημιά ή μη εγκεκριμένη τροποποίηση, η εταιρεία θα απαιτήσει την καταβολή ολόκληρου του ποσού.
5. Η Desoutter δεν αποδέχεται καμία αξίωση για εργατικά ή άλλα έξοδα που οφείλονται σε ελαττωματικά προϊόντα.
6. Εξαιρούνται ρητώς οποιεσδήποτε άμεσες, περιστασιακές ή παρεπόμενες ζημίες που ενδέχεται να προκύψουν από οποιοδήποτε ελάττωμα.
7. Η παρούσα εγγύηση αντικαθιστά όλες τις άλλες εγγυήσεις, ή τους όρους, ρητούς ή έμμεσους, που αφορούν στην ποιότητα, εμπορευσιμότητα ή καταλληλότητα για οποιοδήποτε συγκεκριμένο σκοπό.
8. Δεν επιτρέπεται η προσθήκη ή τροποποίηση των όρων της παρούσας εγγύησης, με οποιονδήποτε τρόπο, από κανέναν αντιπρόσωπο, συνεργάτη ή εργαζόμενο της Desoutter.

## 原厂说明。

© COPYRIGHT 2014, DESOUTTER HP2 7SJ UK

保留所有权利。未经授权不得使用 and 复制其中全部 或部分内容，特别是商标、型号名称、零件号及图形。只能使用获得授权的部分内容。对于因未经授权使用而导致的任何损坏或故障，均不在“担保或产品保证”范围之内。

## 使用声明

本产品用于拧紧和松开木制、金属制和塑料制紧固件。

不得用于其它目的。  
只能用于专业用途。

## 数据

请参阅第 5 页。

## 噪声与振动声明

请参阅第 84 页。



**a<sub>hd</sub>, a<sub>h</sub>**: 震动级

**K / K<sub>pA</sub> = K<sub>WA</sub> = 3 dB**: 可变速

**L<sub>pA</sub>**: 声压级

**L<sub>WA</sub>**: 声能级

所有值均以发行日时的参数为准。您可登录 [www.desouttertools.com](http://www.desouttertools.com) 了解最近信息。

这些公布数值从符合所声明标准的实验室典型测试中获取，不足以用于进行风险评估。在个别工作场所中所测量的数值可能比公布的数值更高。

个别使用者所经历的实际暴露数值和伤害风险具有其独特性，并依据使用者的工作方式、工件以及工作站的设计，以及使用者的暴露时间和身体条件而各有差异。

我们，芝加哥气动工具有限公司，不能因使用公布数值而非反映实际暴露量数值而承担任何后果，也不对非我方控制下的工作场所条件内的个别风险评价承担责任。

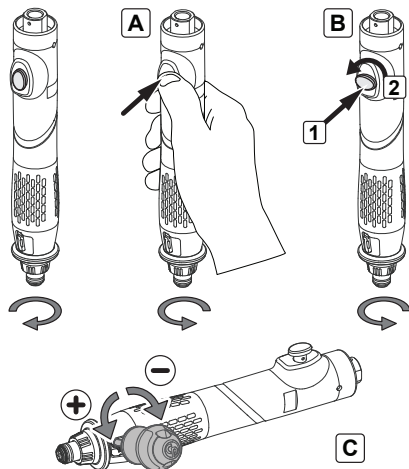
如该工具使用不当，会引起手臂震动综合征。您可登录 [http://www.pneurop.eu/uploads/documents/pdf/PN3-02-NV\\_Declaration\\_info\\_sheet\\_0111.pdf](http://www.pneurop.eu/uploads/documents/pdf/PN3-02-NV_Declaration_info_sheet_0111.pdf) 获得应对震动的 EU 指南。

我们建议对由噪音和震动引起的早期症状要及时进行健康体检，以对操作程序进行调整，避免将来的身体的损害。

## 操作

安装合适的配件，将工具与供气系统连接在一起。握紧工具马达外壳的橡胶表面，用工具压要拧紧的螺纹紧固件。马达启动，将紧固件拧紧到所需的扭矩。调节离合器弹簧(C)张力，即可实现所需的扭矩。此时，内部传动机构分开，切断马达供气。

如要松开紧固件，按住工具顶部的按钮(A)，用工具压要松开的紧固件，马达启动，松开紧固件。如在按下此按钮后稍加旋转，即可将它锁定在按下位置(B)。

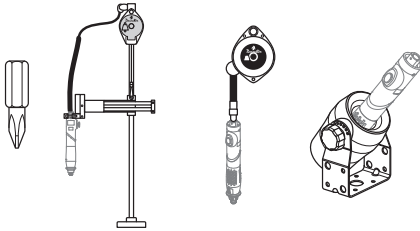




## 配件

可提供下列目录中的所有配件：

- 工业工具：
  - 英国 2050484013
  - 法国 2050484023
  - 德国 2050484033
  - 西班牙 2050484043
  - 意大利 2050484053
  - 美国 2050484063
  - 葡萄牙 2050499023
  - 俄国 2050499013
  - 中国 2050499033
  - 韩国 2050519203
  - 墨西哥 2050519213



## 润滑



这是一个 DRYLINE 工具，专门用于完全干燥（即没有润滑油或水分）的空气管路。DRYLINE 工具还可用于已润滑或部分润滑的空气管路，让用户可以轻松地与现有装置互换。

如果需要进行润滑，则应该在过滤器的下游安装空气管路润滑器。

使用 ISO VG 15 (27652)。

注意：使用润滑后的气源将可以实现最大功率。

## 维护说明



如果使用除本公司最初提供的备件/配件之外的零件，可能会造成性能下降，维护工作量增加，噪声和振动增大，本公司对此不承担任何责任。



- 每使用 1000 个小时就应该进行保养。
- 所有扭矩数字  $\pm 10\%$ 。
- 橡胶表面要用常用的非腐蚀性脱脂剂清洁干净。



在处置部件、润滑剂等物品时，请确保执行了相关的安全程序。



切勿将零件装配工具与气源连接。此工具中的动叶片含有聚四氟乙烯。处理这些动叶片时，必须遵守关于聚四氟乙烯的标准健康和安​​全建议。

- 请勿吸烟。
- 电动机构件必须使用清洁剂进行清洗，而不能使用空气管路吹干净。
- 进行任何其它活动之前，请先洗手。

## DESOUTTER 的产品担保

1. Desoutter 产品保证无工艺或材料缺陷，并具有自从 Desoutter 或其代理商购买之日起 12 个月的最长保证期，条件是在此期间产品仅限于单班操作。如果使用率超过了单班操作，则保证期应按比例缩减。
2. 保证期内，如果产品出现了工艺或材料缺陷，应将其退回 Desoutter 或其代理商，并附上缺陷的简短说明。Desoutter 应行使完全酌情权，对被认为有工艺或材料缺陷的产品做免费维修或更换处理。
3. 此保证将对下列产品停止适用：被滥用、误用或修改了的产品，使用非真正 Desoutter 备用零件维修过的产品及由非 Desoutter 或其授权服务机构人员维修过的产品。
4. 若 Desoutter 在矫正源于滥用、误用、意外损坏或非授权更改的缺陷时发生了任何费用，他们将要求对方全额支付这笔费用。
5. Desoutter 不接受由于缺陷产品造成的人工费或其它费用的索赔。
6. 明确排除源于缺陷的任何直接、偶然或必然损害赔偿金。
7. 此保证将代替关于质量、商品适销性或特定用途的适用性等方面的所有其它（条件性、明示或暗示的）保证。
8. 任何人（无论是 Desoutter 的代理商、服务人员还是职员）都无权以任何方式添加或修改此有限保证的各项条款。

## Eredeti utasítások.

### © COPYRIGHT 2014, DESOUTTER HP2 7SJ UK

Minden jog fenntartva. Bárminemű helytelen, illetéktelen, teljes vagy részleges felhasználás tilos. Különösen vonatkozik ez a védett márkákra, modellek elnevezésére, alkatrész- és rajzszámra. Kizárólag csak az engedélyezett alkatrészek használhatók. Bárminemű olyan kár vagy rossz működés esetén, amely nem engedélyezett alkatrész felhasználásából ered, a termékgarancia nem vehető igénybe és ezekért a gyártó nem felel.

## A HASZNÁLAT CÉLJA

A termék rendeltetése szerint fába, fémbe vagy műanyagba rögzítő menetes kötőelemek be- és kihajtására szolgál.

Más célú felhasználás tilos.  
Professzionális használatra.

## ADATOK

Lásd A 5. oldalt.

### Zaj- és rezgés-nyilatkozat

Lásd A 84. oldalt.



Vibrációs szint.



Hangszint.

**ahd, ah:** Vibrációs szint.

**K / K<sub>pA</sub> = K<sub>WA</sub> = 3 dB** : Bizonytalanság.

**L<sub>pA</sub>** : Akusztikus terhelés.

**L<sub>WA</sub>** : Akusztikus teljesítmény.

Az összes feltüntetett érték a jelen kiadvány dátumakor érvényes. A legfrissebb adatokért kérjük, látogassa meg az [www.desouttertools.com](http://www.desouttertools.com) internetes címet.

Ezeket a közötti értékeket laboratóriumi vizsgálatokkal nyerték a megadott szabványokkal összhangban, és nem alkalmasak kockázatfelméréshez. Az egyes munkahelyeken mért értékek nagyobbak lehetnek, mint a deklarált értékek.

A tényleges behatási értékek és az egyéni felhasználó által elszenvedett károsodás kockázata egyediek és függenek a felhasználó munkavégzésének módjától, a munkadarabtól és a munkahely kialakításától, valamint a behatás időtartamától és a felhasználó fizikai állapotától.

Mi, a Desoutter, nem lehetünk felelősek a tényleges behatást túlrögzítő értékek helyett a deklarált értékeknek olyan munkahelyi helyzet értékelésében történő felhasználásának következményeiért, amelyekre nincs ráhatásunk.

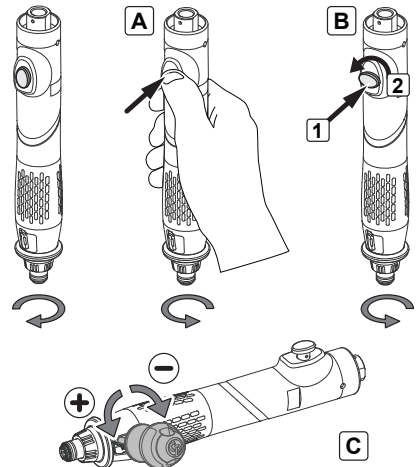
Ez a szerszám a kéz és a kar rezgését okozhatja nem megfelelő használatát esetén. A kézi és kári rezgésekkel foglalkozó EU-útmutató a következő helyen tölthető le: [http://www.pneurop.eu/uploads/documents/pdf/PN3-02-NV\\_Declaration\\_info\\_sheet\\_0111.pdf](http://www.pneurop.eu/uploads/documents/pdf/PN3-02-NV_Declaration_info_sheet_0111.pdf)

Egészségfelmérési programot ajánlunk az olyan korai tünetek felismerésére, amelyek kapcsolatban állhatnak a rezgési terheléssel, hogy az eljárásokat módosítani lehessen a helyzet további romlásának megakadályozására.

## MŰKÖDTETÉS

Szerelje fel a kívánt tartozékot a szerszámra, majd a szerszámot a táplevegőre. Fogja meg a szerszám motorházának gumi felületét, és nyomja a szerszámot a meghúzendó menetes kötőelem fejére. A motor beindul, és a kívánt nyomattal meghúzza a kötőelemet. A kívánt nyomattal a nyomórugó (C) feszítettségének állításával lehet beállítani. A beállított érték elérésekor a belső hajtás kiold, és a motor levegőellátása megszakad.

A kilazításhoz nyomja meg és tartsa lenyomva a szerszám tetején lévő gombot (A), majd nyomja a szerszámot a kilazítandó menetes kötőelem fejére, és a motor a lazítás irányában kezd el forogni. Elforgatással a gomb rögzíthető benyomott helyzetben (B).

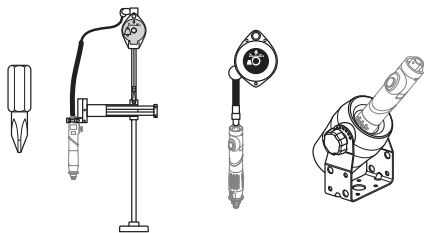


## TARTOZÉKOK

Az alábbi katalógusokban minden tartozékot megtalál:

### • Ipari szerszámok

- UK	2050484013
- FR	2050484023
- GER	2050484033
- SP	2050484043
- IT	2050484053
- US	2050484063
- PORT	2050499023
- RUS	2050499013
- CHIN	2050499033
- KOR	2050519203
- MEX	2050519213



## KENÉS



Ez egy DRYLINE szerszám, melyet teljesen száraz levegővezetéken, vagyis olaj- és víznedvességmentes környezetben történő használatra terveztek. A DRYLINE szerszámok kent, vagy részben megkent levegővezetéken is működtethetők, tehát könnyen kiválthatják a meglévő felszereléseket. Ha kenést igényel, a szűrő kimenő ágába levegővezeték-kenőt kell szerelni. Használjon ISO VG 15 (27652) típust. *Megjegyzés: a maximális teljesítmény eléréséhez kenés nélküli légellátás szükséges.*

## KARBANTARTÁSI TANÁCSOK



Ha nem a gyártó által szállított, eredeti cserealkatrészeket/tartozékokat használják, az teljesítményromlást és/vagy fokozott karbantartásigényt/ zajszintet/vibrációt eredményezhet, és a gyártó felelősségének teljes megszűnését vonja maga után.



- 1000 üzemóránként végezzen szervizelést.
- Minden nyomatékérték  $\pm 10\%$ -ban értendő.
- A gumiborítású felületeket általános célú, nem agresszív hatású zsírtalanítóval kell tisztára törölni.



Alkatrészek, kenőanyagok eltávolítása előtt ellenőrizni kell a biztonsági előírások betartását.



Ne csatlakoztassa a csak félig összeszerelt szerszámot a táplevegőre! A szerszám forgórészének lapátjai PTFE-tartalmúak. A forgórész lapátjainak kezelésekor be kell tartani a PTFE vegyületekre vonatkozó egészségvédelmi és biztonsági előírásokat.

- Tilos a dohányzás!
- A motoralkatrészeket tisztítófolyadékkal kell lemosni, és nem szabad a levegővezetékekkel fúvatva tisztítani.
- Mosson kezet, mielőtt más tevékenységet kezdene.

## DESOUTTER GARANCIA

1. Ez a Desoutter termékgarancia nem megfelelő kidolgozás és anyaghiba esetére vonatkozik, a Desoutter vállalattól vagy ügynökeitől történt beszerzés dátumától számított maximum 12 hónapos időtartamig; feltéve, hogy a szerszámot a teljes időszak során egy műszakban használják. Ha a felhasználás gyakorisága meghaladja az egyműszakos időszakot, a garanciaidőszak arányosan csökken.
2. Amennyiben a garanciális időszak során a termék nem megfelelő kidolgozás és anyaghiba miatt hibásnak bizonyul, vissza kell küldeni a Desoutter vállalatnak vagy ügynökeinek, a tapasztalt hiba rövid leírásával együtt. A Desoutter egyéni megfontolás alapján kijavítja vagy ingyenesen lecseréli a nem megfelelő kidolgozás és anyaghiba alapján hibásnak talált elemeket.
3. A garancia érvényét veszti, ha a termékeket nem rendeltetésszerűen használták vagy módosították, vagy nem eredeti Desoutter alkatrészekkel javították, vagy nem a Desoutter által jogosult szervizszemélyzet végezte a javítást.
4. Amennyiben a Desoutter vállalatnak további költsége adódik a termék jogtalan használata, eseti kár vagy jogosulatlan módosítása miatt, ezen költséget teljes mértékben vissza kell téríteni.
5. A Desoutter nem fogad be a hibás termékeken felüli munka- vagy egyéb költségigényeket.
6. A hibából adódó közvetlen, eseti vagy következményes károkat kifejezetten kizárjuk a garancia köréből.
7. Ez a garancia tekintetbe vesz minden más kifejezett vagy értett garanciát vagy feltételt, a minőségre, eladhatóságra vagy adott célra való alkalmazhatóságra nézve.
8. Senki (legyen az a Desoutter ügynöke, alvállalkozója vagy alkalmazottja) nem jogosult a jelen korlátozott garanciális feltételek módosítására vagy kibővítésére.

## Orīģinālinstrukcijas.

### © COPYRIGHT 2014, DESOUTTER HP2 7S UK

Visas tiesības aizsargātas. Jebkāda neatļauta pamācības saturs vai tā daļu kopēšana vai izmantošana aizliegta. Tas īpaši attiecas uz preču zīmēm, modeļu nosaukumiem, daļu numuriem un zīmējumiem. Izmantojiet tikai paredzētās detaļas. Bojājumi vai kļūmes, kas radušies neparedzētu detaļu izmantošanas dēļ, nav iekļauti garantijas un izstrādājuma atbildības nosacījumos.

## LIETOŠANAS NOTEIKUMI

Šis produkts ir paredzēts vītņotu stiprinājumu ievietošanai un izņemšanai no kokmateriāliem, metāla un plastmasas.

Lietošana citam nolūkam nav atļauta.

Paredzēts tikai profesionālai lietošanai.

## DATI

Skatīt 5. lappusi.

### Trokšņa & vibrāciju deklarācija

Skatīt 84. lappusi.



Vibrāciju līmeņi.



Skaņas līmeņi.

ahd, ah: Vibrāciju līmeņi.

$K / K_{pA} = K_{WA} = 3 \text{ dB}$  : Piedājamā  
novirze.

$L_{pA}$  : Skaņas spiediena līmenis.

$L_{WA}$  : Skaņas jaudas līmenis.

Visas vērtības ir spēkā izdošanas datumā. Jaunāko informāciju skatiet [www.desouttertools.com](http://www.desouttertools.com).

Šīs pieteiktās vērtības iegūtas, veicot laboratorijas pārbaudes saskaņā ar noteiktajiem standartiem, un nav piemērotas risku novērtēšanai. Vērtības, kas iegūtas atsevišķas darba vietās, var būt augstākas par pieteiktajām vērtībām. Patiesās iedarbības vērtības un atsevišķa lietotāja pieredzētais bojājumu risks ir unikāls un atkarīgs no lietotāja darba, apstrādājamās detaļas un darba vietas konstrukcijas, kā arī no iedarbības ilguma un lietotāja fiziskā stāvokļa.

Mēs, Desoutter, nevaram nest atbildību par sekām, kas rodas, ja pieteiktās vērtības tiek izmantotas patieso iedarbību atspoguļojošu vērtību vietā, veicot individuālu riska novērtējumu darba vietā un situācijā, ko nespējam kontrolēt.

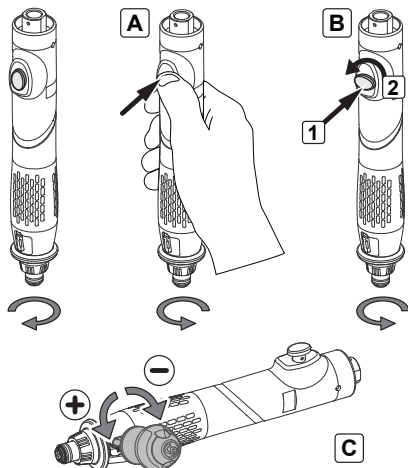
Šis rīks var izraisīt plaukstu-roku vibrācijas sindromu, ja tas netiek lietots pareizi. ES norādījumi par plaukstu-roku vibrāciju pieejami vietnē [http://www.pneurop.eu/uploads/documents/pdf/PN3-02-NV\\_Declaration\\_info\\_sheet\\_0111.pdf](http://www.pneurop.eu/uploads/documents/pdf/PN3-02-NV_Declaration_info_sheet_0111.pdf)

Iesakām izmantot veselības novērošanas programmu, lai atklātu agrīnus simptomus, kas varētu būt saistīti ar vibrācijas iedarbību, vai varētu mainīt atbilstošu darba organizāciju, nepieļaujot turpmāku stāvokļa pasliktināšanos.

## LIETOŠANA

Ar pareizo uzstādīto palīgieiņi savienojiet instrumentu ar gaisa padevi. Satveriet ar gumiju pārklāto instrumenta motora korpusu un iespiediet instrumentu vītņu stiprinājumā, kas ir jāpievelk. Motors sāks darboties un pievilks stiprinājumu ar vajadzīgo griezes momentu. Vajadzīgais griezes moments tiek panākts, noregulējot uznavas atsperes (C) nospriegojumu. Šajā brīdī iekšējā piedziņa tiek atslēgta, un gaisa padeve uz motoru tiek noslēgta.

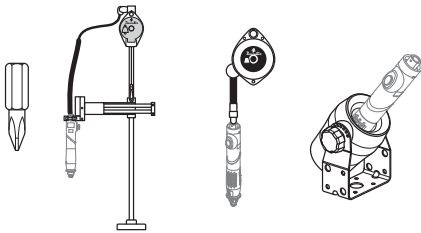
Lai konstrukciju izjauktu, nospiediet pogu instrumenta augšpusē (A) un turiet to nospiestu. Tad iespiediet instrumentu stiprinājumā, kas ir jāatvieno. Motors sāks darboties un atslēgs stiprinājumu. Šo pogu var bloķēt nospiešā stāvoklī, to pagriežot (B).



## PALĪGPIERĪCES

Visas palīgierīces ir pieejamas šajos katalogos:

- Rūpniecības instrumenti
  - UK 2050484013
  - FR 2050484023
  - GER 2050484033
  - SP 2050484043
  - IT 2050484053
  - US 2050484063
  - PORT 2050499023
  - RUS 2050499013
  - CHIN 2050499033
  - KOR 2050519203
  - MEX 2050519213



## EĻĻOŠANA



Šis DRYLINE darbarīks ir paredzēts darbam pilnīgi sausā gaisa līnijā, tas ir tādā, kurā nav nekādas eļļas vai ūdens mitruma. DRYLINE darbarīki var darboties arī eļļotā vai daļēji eļļotā gaisa līnijā, tādējādi ļaujot viegli nomainīt esošās instalācijās.

Ja ir nepieciešama eļļošana gaisa padeves eļļa ir jāpielāgo filtra plūsmas leņķis.

Pielietojiet ISO VG 15 (27652).

*Piezīme: pilna jauda tiek panākta, lietojot eļļotu gaisa līniju.*

## TEHNISKĀS APKOPES INSTRUKCIJAS



Tādu rezerves daļu/palīgierīču lietošana, kuras nav piegādājis ražotājs, var izraisīt veiktspējas samazināšanos un/vai biežāku apkopi / paaugstinātu trokšņu līmeni / vibrāciju un līdz ar to — ražotāja atbildības pilnīgu atcelšanu.



- Apkope ir jāveic 1000 lietošanas stundu intervālos.
- Visi griezes momenta skaitļi  $\pm 10\%$ .
- Gumijas virsmas ir jānoslauka, izmantojot universālu attaukošanas līdzekli, kura iedarbība nav agresīva.



Utilizējot komponentus, smērvielas utt., ievērojiet atbilstošās drošības procedūras.



Daļēji samontētu instrumentu nekad nesavienojiet ar gaisa padevi. Šī instrumenta rotora asmeņi satur PTFE (politetrafluoretilēnu). Darbā ar šiem rotora asmeņiem ir jāievēro parastie, uz PTFE attiecināmie ieteikumi par veselību un drošību.

- Nesmēķējiet.
- Motora sastāvdaļas ir jānomazgā ar tīrīšanas šķidrumu, un tās nedrīkst tīrīt ar gaisa plūsmu.
- Pirms jebkādu tālāku darbību veikšanas nomazgājiet rokas.

## DESOUTTER GARANTIJA

1. Šis Desoutter produkts ir garantēts pret defektīvu izgatavošanu vai materiāliem, maksimālajā periodā 12 mēnešus, sākot no iegādes datuma pie Desoutter vai tā aģentiem, ar noteikumu, ka tas tiek lietots vienā darba maiņā šajā laika periodā. Ja lietošanas intensitāte pārsniedz vienas maiņas ietvarus, tad garantijas periods ir jāsamazina proporcionāli.
2. Ja, garantijas perioda laikā, produkts izrādās defektīvs izgatavošanā vai materiālos, to ir jāatgriež Desoutter vai tā aģentiem, kopā ar nelielu defekta aprakstu. Desoutter pēc nepieciešamības ir jāveic bezmaksas remonts vai nomaina tām daļām, kuras ir uzskatāmas bojātas, defektīvas ražošanas vai materiālu dēļ.
3. Šī garantija neattiecas uz produktiem, kas ir nepareizi ekspluatēti vai modificēti, vai kas ir remontēti izmantojot neoriģinālās rezerves daļas vai kuriem remontu nav veicis Desoutter vai tā autorizēts servisa aģents.
4. Ja Desoutter cietīs jebkādas zaudējumus, izlabojot defektu, kas ir radies nepareizā ekspluatācijā, negadījumā, vai neautorizētā modifīcēšanā, tad Desoutter pieprasis, šie izdevumi tiktu segti pilnā mērā.
5. Desoutter nepieņem nekādas pretenzijas pret darbu vai izdevumiem, kas veikti attiecība uz defektīviem produktiem.
6. Jebkuri tieši, saistīti un izrietoši bojājumi, kas radušies no defekta netiek īpaši apskatīti.
7. Šī garantija tiek sniegta visu citu garantiju, vai apstākļu vietā aprakstītu vai domājamu, attiecībā uz kvalitāti, pieprasījumu, vai atbilstību, kādam konkrētam nolūkam.
8. Nekādā gadījumā neviens, ne aģents, ne apkalpotājs, ne Desoutter darbinieks nav autorizēts pievienot vai veikt izmaiņas šīs ierobežotās garantijas noteikumos.



## Oryginalne instrukcje.

### © COPYRIGHT 2014, DESOUTTER HP2 7SJ UK

Wszelkie prawa zastrzeżone. Wszelkie bezprawne użycie lub kopiowanie całości lub części jest zabronione. Odnosi się to w szczególności do marek zastrzeżonych, nazw modeli, numerów części i schematów. Używać tylko części dozwolonych. Fabrykant nie ponosi odpowiedzialności za wszelkie szkody lub złe funkcjonowanie spowodowane użyciem niedozwolonej części.

## INFORMACJE DOTYCZĄCE UŻYTKOWANIA

Niniejszy produkt jest przeznaczony do montażu i usuwania gwintowanych elementów mocowanych w drewnie, metalu, i tworzywach sztucznych.

Nie wolno używać przyrządu do żadnych innych czynności.

Przyrząd przewidziany jest tylko do użytku profesjonalnego.

## DANE TECHNICZNE

Patrz str. 5.

### Określenie hałasu i wibracji

Patrz str. 84.



Poziomy wibracji.



Poziomy hałasu.

**ahd, ah:** Poziomy wibracji.

**K / K<sub>pA</sub> = K<sub>WA</sub> = 3 dB :** Niepewność.

**L<sub>pA</sub> :** Ciśnienie akustyczne.

**L<sub>WA</sub> :** Poziom mocy akustycznej.

Wszystkie wartości obowiązują od daty niniejszej publikacji. Najnowsze informacje można znaleźć pod adresem [www.desouttertools.com](http://www.desouttertools.com).

Podane wartości określono na podstawie testów laboratoryjnych zgodnie z określonymi normami. Wartości te nie są wystarczające do określenia potencjalnego ryzyka. Wartości określone dla poszczególnych stanowisk pracy mogą być wyższe niż wartości podane.

Rzeczywiste narażenie i ryzyko indywidualnego użytkownika zależy od sposobu wykonywania i przedmiotu pracy, organizacji stanowiska pracy, czasu jej wykonywania i stanu fizycznego pracownika.

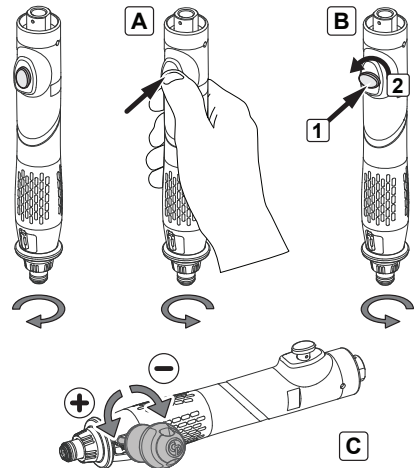
Desoutter nie bierze odpowiedzialności za konsekwencje stosowania zadeklarowanych wartości narażenia na wibracje zamiast wartości wyrażających rzeczywiste narażenie w indywidualnej sytuacji w miejscu pracy, nad którym nie sprawuje kontroli.

W przypadku niewłaściwego użytkowania, narzędzie może powodować syndrom drgań przekazywanych na kończyny górne (ang. hand-arm vibration) Poradnik unijny dotyczący emisji drgań przekazywanych na kończyny górne można odnaleźć na stronie [http://www.pneurop.eu/uploads/documents/pdf/PN3-02-NV\\_Declaration\\_info\\_sheet\\_0111.pdf](http://www.pneurop.eu/uploads/documents/pdf/PN3-02-NV_Declaration_info_sheet_0111.pdf)  
Zalecamy przeprowadzanie badań okresowych, mających na celu wykrycie objawów związanych z działaniem drgań, aby umożliwić zmianę procedur i zapobiec dalszemu pogorszeniu stanu zdrowia.

## OBSŁUGA

Podłączyć przewody sprężonego powietrza do narzędzia przy pomocy odpowiednich narzędzi. Uchwycić narzędzie na gumowej powierzchni wokół obudowy silnika i docisnąć narzędzie do gwintowanego elementu mocującego, który ma być dokręcony. Silnik zostanie uruchomiony i gwintowany element mocujący zostanie wkręcony przy zastosowaniu wymaganego momentu obrotowego. Wymagany moment uzyskuje się przez wyregulowanie napięcia sprężyny sprzęgła. (C). W tym momencie napęd wewnętrzny zostaje rozłączony i dopływ powietrza do silnika zostaje odcięty.

Aby wykręcić element mocujący, należy wcisnąć przycisk w górnej części narzędzia (A), po czym docisnąć narzędzie do elementu mocującego, który ma być usunięty, silnik zostanie uruchomiony i rozpocznie się proces wykręcania. Ten przycisk można, po uruchomieniu, zablokować w położeniu wciśniętym (B).

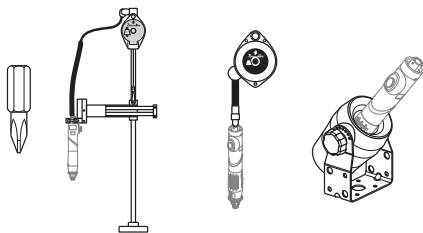


## AKCESORIA

Wszystkie akcesoria są dostępne w następujących katalogach:

### • Narzędzia przemysłowe

- WIELKIEJ BRYTANII	2050484013
- FRANCJA	2050484023
- NIEMCY	2050484033
- HISPANIA	2050484043
- WŁOCHY	2050484053
- USA	2050484063
- PORTUGALIA	2050499023
- ROSJA	2050499013
- CHINY	2050499033
- KOREA	2050519203
- MEKSYK	2050519213



## SMAROWANIE



To narzędzie należy do linii DRYLINE, co oznacza, że powinno być zasilane całkowicie suchym powietrzem, tj. wolnym od oleju lub wody. Narzędzia DRYLINE mogą też być zasilane zaolejonym lub częściowo zaolejonym powietrzem, co umożliwi ich stosowanie w istniejących instalacjach doprowadzania powietrza.

W przypadku konieczności smarowania smarownicę należy podłączyć za filtrem powietrza (od strony narzędzia)

Należy używać środka o lepkości ISO VG 15 (27652).

*Uwaga: pełną moc można uzyskać, korzystając z zaolejonego powietrza.*

## INSTRUKCJE DOTYCZĄCE KONSERWACJI



Zastosowanie części zapasowych i akcesoriów innych niż te, które dostarcza producent może spowodować obniżenie wydajności i zwiększenie zakresu prac konserwacyjno-remontowych oraz zwiększenie emisji hałasu i drgań i w rezultacie zwolnienie producenta z odpowiedzialności za produkt.



- Konserwacje należy przeprowadzać co 1000 godzin pracy urządzenia.
- Wszystkie podane wartości momentów  $\pm 10\%$ .
- Powierzchnie gumowe należy wycierać nieagresywnymi środkami czyszczącymi ogólnego zastosowania.



Zanim podejmie się jakiegokolwiek usuwanie części i komponentów, olejów i smarów itp. z przyrządu, należy upewnić się czy przestrzegane są właściwe procedury bezpieczeństwa.



Nigdy nie należy podłączać sprężonego powietrza do częściowo zmontowanego narzędzia. Łopatkami wirnika w tym narzędziu są wykonane z materiału, który zawiera teflon. Podczas prac z łopatkami wirnika należy przestrzegać zaleceń dotyczących bezpieczeństwa i ochrony zdrowia.

- Nie palić papierosów.
- Komponenty silnika trzeba przemyć cieczą czyszczącą i nie należy przedmuchiwać ich sprężonym powietrzem.
- Przed rozpoczęciem wykonywania jakiegokolwiek czynności należy umyć ręce.

## GWARANCJA FIRMY DESOUTTER

1. Firma Desoutter gwarantuje, że produkt będzie wolny od wad produkcyjnych lub materiałowych przez okres 12 miesięcy od daty zakupu od firmy Desoutter lub jej przedstawiciela pod warunkiem normalnej eksploatacji urządzenia (8 godzin dziennie) w tym okresie. Jeśli stopień eksploatacji przekracza 8 godzin dziennie, okres gwarancji ulega proporcjonalnemu skróceniu.
2. W przypadku ujawnienia w okresie gwarancyjnym wad produkcyjnych lub materiałowych produkt należy zwrócić do firmy Desoutter lub jej przedstawiciela z dołączonym krótkim opisem zgłaszanej usterki. Firma Desoutter we własnym zakresie zleci naprawę lub dokona bezpłatnej wymiany wadliwych produktów, jeśli przyczyną usterki są wady produkcyjne lub wady materiałowe.
3. Gwarancja traci ważność w przypadku produktów używanych niezgodnie z przeznaczeniem, modyfikowanych lub naprawianych z wykorzystaniem nieoryginalnych części zamiennych lub przez osoby inne niż pracownicy firmy Desoutter lub autoryzowani serwisanci.
4. W przypadku poniesienia przez firmę Desoutter dodatkowych kosztów związanych z usunięciem usterki powstałej w wyniku używania niezgodnie z przeznaczeniem, przypadkowym uszkodzeniem lub nieautoryzowaną modyfikacją, użytkownik jest zobowiązany do pokrycia tego rodzaju kosztów.
5. Firma Desoutter nie żąda zwrotu kosztów robocizny i innych wydatków związanych z naprawą.
6. Wszelkie roszczenia z tytułu bezpośrednich, przypadkowych lub wynikowych szkód związanych z usterekami są wyraźnie wyłączone.
7. Niniejsza gwarancja zastępuje wszystkie inne gwarancje lub warunki wyraźne lub dorozumiane odnośnie jakości, przydatności handlowej lub przydatności do określonego celu.
8. Żaden przedstawiciel, usługodawca lub pracownik firmy Desoutter nie może dodawać ani zmieniać warunków niniejszej ograniczonej gwarancji w żaden sposób.

## Původní pokyny.

### © COPYRIGHT 2014, DESOUTTER HP2 7S UK

Všechna práva vyhrazena. Jakékoli neoprávněné použití nebo kopírování obsahu tohoto dokumentu nebo jeho části je zakázáno. Toto platí zejména pro ochranné známky, označení modelu, čísla součástí a výkresy. Používejte pouze originální díly. Záruka ani odpovědnost za výrobek se nevztahují na žádné škody nebo nefunkčnost způsobené použitím neoriginálních dílů.

## URČENÍ

Tento výrobek je určen k uchycení závitových šroubů do dřeva, kovu a plastu a k jejich vytahování.

Jiné použití není dovoleno.

Určeno pouze k profesionálnímu využití.

## ÚDAJE

Viz strana 5.

### Prohlášení o hluku a vibracích

Viz strana 84.

  Hladiny vibrací.

 Hladiny hluku.

**ahd, ah:** Hladiny vibrací.

**K / K<sub>pA</sub> = K<sub>WA</sub> = 3 dB :** Míra nejistoty.

**L<sub>pA</sub> :** Hladina akustického tlaku.

**L<sub>WA</sub> :** Hladina akustického výkonu.

Všechny hodnoty platí k datu vydání této publikace. Nejnovější informace naleznete na webových Stránkách [www.desouttertools.com](http://www.desouttertools.com).

Tyto vyhlášené hodnoty byly získány laboratorním testováním v souladu s uvedenými standardy a nejsou vhodné pro použití k vyhodnocení rizika. Hodnoty naměřené na individuálních pracovištích mohou být vyšší než vyhlášené hodnoty. Skutečné hodnoty vystavení a rizika poškození individuálního uživatele jsou jedinečná a závisí na tom, jak uživatel pracuje, na designu nástroje a pracovní stanice i na času vystavení a fyzickém stavu uživatele.

Společnost Desoutter nemůže zodpovídat při vyhodnocení individuálního rizika na pracovišti, nad kterým nemá kontrolu, za následky používání prohlášených hodnot místo hodnot odrážejících skutečné vystavení riziku.

Toto náradí může při nesprávném používání způsobovat syndrom chvění rukou/paží. Příručku EU popisující, jak se vypořádat s vibracemi rukou/paží, najdete na [http://www.pneurop.eu/uploads/documents/pdf/PN3-02-NV\\_Declaration\\_info\\_sheet\\_0111.pdf](http://www.pneurop.eu/uploads/documents/pdf/PN3-02-NV_Declaration_info_sheet_0111.pdf)

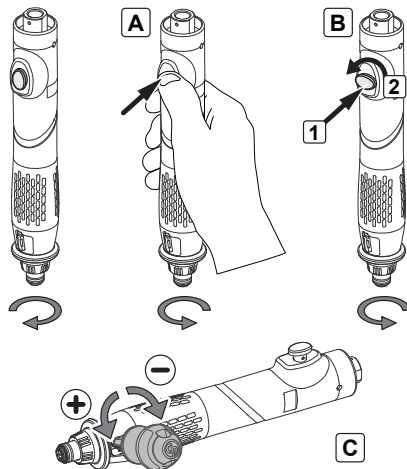
Doporučujeme program zdravotního dohledu umožňující včasné odhalení symptomů, které mohou souviset se zatížením vibracemi, aby bylo možné upravit řídicí procesy s cílem předcházení budoucím újmám.

## PROVOZ

Se správně smontovaným příslušenstvím připojte nástroj na přívod vzduchu. Uchopte nástroj za pouzdro motoru v místě gumového povrchu a přitlačte na závitový šroub, který chcete utáhnout. Motor se zapne a utáhne šroub na požadovaný moment. Požadovaného momentu dosáhnete seřízením tlaku pružiny (C). Po jeho dosažení se vnitřní pohon vypne a přívod vzduchu k motoru se přeruší.

Při povolování stiskněte spínač (A) na horní straně nástroje a držte ho stisknutý.

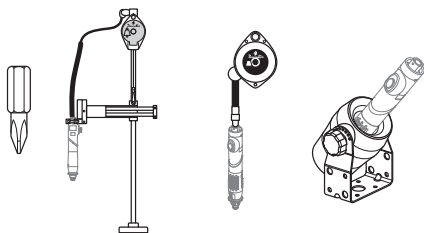
Pak přitlačte nástroj na šroub, který chcete povolit. Motor se zapne a začne proces povolování šroubu. Tento spínač může být zajištěn ve stisknuté poloze, pokud se otáčí (B).



## PŘÍSLUŠENSTVÍ

Kompletní příslušenství je uvedeno v následujících katalozích:

- Průmyslové nářadí
  - VB 2050484013
  - FR 2050484023
  - NEM 2050484033
  - SP 2050484043
  - IT 2050484053
  - US 2050484063
  - PORT 2050499023
  - RUS 2050499013
  - CHIN 2050499033
  - KOR 2050519203
  - MEX 2050519213



## MAZÁNÍ



Toto nářadí je systému DRYLINE a je navrženo pro pohon zcela suchým vzduchem, tj. bez příměsí maziv nebo vlhkosti. Nářadí DRYLINE může být také napojeno na vzduchový rozvod s úplným nebo částečným mazáním, čímž je dosažena snadná zaměnitelnost s existujícími instalacemi.

Je-li mazání vyžadováno, musí být mazací zařízení umístěno za výstupem filtru.

Použijte ISO VG 15 (27652).

*Poznámka: plného výkonu je dosaženo při použití vzduchu s příměsí maziva.*

## POKYNY K ÚDRŽBĚ



Použití jiných náhradních dílů případně příslušenství než těch, které byly dodány výrobcem, se může projevit snížením výkonu a / nebo zvýšením nároku na údržbu, vyšší hlučností, vibracemi a mít za následek úplné zrušení záruky dodavatele.



- Servisní prohlídky mají být prováděny každých 1000 provozních hodin.
- Veškeré údaje kroutícího momentu  $\pm 10\%$ .
- Gumové povrchy je třeba čistit běžným, neagresivním odmašťovacím přípravkem.



Při odstraňování složek, maziv atd. ... zajistěte, aby byly dodrženy příslušné bezpečnostní postupy.



Nikdy nepřipojujte částečně smontované nářadí na přívod vzduchu. Lopatky rotoru tohoto nástroje obsahují PTFE (polytetrafluoretylén). Proto je nutné při manipulaci s lopatkami rotoru dodržovat obvyklé předpisy týkající se bezpečnosti a ochrany zdraví při práci s PTFE.

- Nekuřte.
- Komponenty motoru je třeba umývat v tekutém čisticím prostředku, nesmí být ofukovány vzduchovou hadicí.
- Umyjte si ruce před zahájením další činnosti.



## ZÁRUKA SPOLEČNOSTI DESOUTTER

1. Záruka na tento výrobek Desoutter se vztahuje na výrobní nebo materiálové vady v délce 12 měsíců od data nákupu od společnosti Desoutter nebo jeho prodejců, pokud je v této době použití výrobku omezeno na jednosměrný provoz. Pokud intenzita používání nářadí přesáhne jednosměrný provoz, bude záruční doba úměrně zkrácena.
2. Pokud se během záruční doby projeví výrobní nebo materiálová vada, musí být výrobek vrácen společnosti Desoutter nebo jejímu prodejci společně se stručným popisem udávané závady. Společnost Desoutter zajistí podle vlastního uvážení bezplatnou opravu nebo výměnu těch součástí, které vykazují výrobní nebo materiálové vady.
3. Tato záruka neplatí pro výrobky, které byly nesprávně používány, používány k jiným účelům než stanoveným, upravovány nebo opravovány s použitím jiných než originálních náhradních dílů Desoutter nebo opravovány neautorizovaným servisem.
4. Pokud společnosti Desoutter vzniknou jakékoli náklady spojené s opravou vad, způsobených použitím nářadí k jiným účelům než stanoveným, nesprávným použitím, nehodou nebo neoprávněnými úpravami, bude vyžadováno uhrazení těchto nákladů v plné výši.
5. Společnost Desoutter nebude poskytovat náhrady za práci nebo jiné výdaje spojené s vadou výrobku.
6. Náhrady jakýchkoli přímých, souvisejících nebo následných škod jakkoli vyplývajících z vady výrobku jsou výslovně vyloučeny.
7. Tato záruka nahrazuje veškeré jiné záruky nebo podmínky vyjádřené nebo implicitní, a ve vztahu ke kvalitě, obchodovatelnosti nebo vhodnosti pro individuální účely.
8. Nikdo, včetně prodejců nebo zaměstnanců společnosti Desoutter, není oprávněn jakýmkoli způsobem rozšiřovat nebo měnit podmínky této omezené záruky.

**Pôvodné pokyny.****© COPYRIGHT 2014, DESOUTTER HP2  
7SJ UK**

Všetky práva vyhradené. Neoprávnené použitie alebo kopírovanie obsahu alebo jeho častí je zakázané. To sa týka najmä výrobných značiek, modelových denominácií, čísel súčiastok a výkresov. Používajte iba autorizované súčiastky. Poškodenie alebo nesprávne fungovanie spôsobené použitím neautorizovaných súčiastok nie je kryté v Záruke alebo v Záručnom liste výrobku.

**PODMIENKY POUŽITIA**

Tento výrobok je určený na uchytenie závitových skrutiek do dreva, kovu a plastu a k ich vyťahovaniu.

Nie je určený na žiadne iné použitie.

Je určený len na odborné použitie.

**ÚDAJE**

Vid. strana 5.

**Vyhlasenie o hluku a vibráciách**

Vid. strana 84.



Hladiny vibrácií.



Hladiny hluku.

**ahd, ah:** Hladiny vibrácií.

**K / K<sub>pA</sub> = K<sub>WA</sub> = 3 dB :** Raven treslajev.

**L<sub>pA</sub> :** Hladina akustického tlaku.

**L<sub>WA</sub> :** Hladina akustického výkonu.

Všetky hodnoty sú aktuálne k dátumu zverejnenia. Najnovšie informácie nájdete na stránke [www.desouttertools.com](http://www.desouttertools.com).

Tieto uvádzané hodnoty boli získané testovaním laboratórneho typu v súlade s uvedenými štandardmi a nie sú dostatočné na použitie na vyhodnotenie rizika. Hodnoty merané na jednotlivých pracoviskách môžu byť vyššie než vyžadované hodnoty. Skutočné expozičné hodnoty a riziko a škody, ktoré utrpí jednotlivý používateľ, sú jedinečné a záležia na spôsobe, ako používateľ pracuje, pracovnom nástroji a návrhu pracovnej stanice, ako aj na časovej expozícii a fyzickom stave používateľa.

My, spoločnosť Desoutter, nemôžeme byť bráni na zodpovednosť za používanie uvedených hodnôt namiesto hodnôt odrážajúcich skutočnú expozíciu pri jednotlivom hodnotení rizika a situácie na pracovisku, nad ktorými nemáme kontrolu. Toto náradie môže v prípade jeho

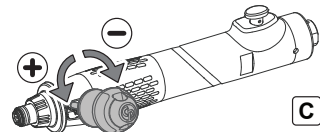
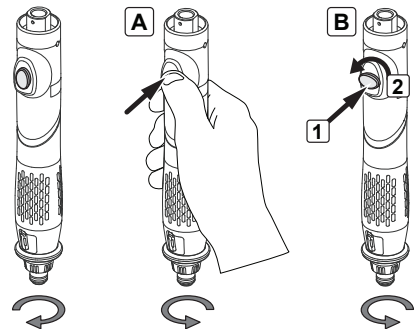
nesprávneho používania spôsobiť syndrómy – podmienené vibráciami - v ramene a ruke. Smernicu EU o vibráciách pôsobiacich na rameno a ruku možno nájsť na [http://www.pneurop.eu/uploads/documents/pdf/PN3-02-NV\\_Declaration\\_info\\_sheet\\_0111.pdf](http://www.pneurop.eu/uploads/documents/pdf/PN3-02-NV_Declaration_info_sheet_0111.pdf)  
Odporúčame preventívnu kontrolu zdravotného stavu na detekciu včasných príznakov v dôsledku zataženia vibráciami, aby bolo možné upraviť postupy, ktoré by zabránili výskytu ťažkostí v budúcnosti.

**PREVÁDZKA**

So správnym zmontovaným príslušenstvom pripojte nástroj na prívod vzduchu. Uchopte nástroj za puzdro motora v mieste gumového povrchu a priložte na závitovú skrutku, ktorú chcete utiahnuť.

Motor sa zapne a utiahne skrutku na žiadaný moment.

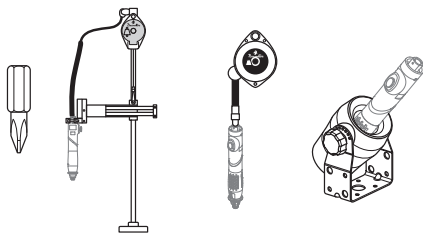
Požadovaný moment dosiahneme nastavením tlaku pružiny spojky (C). Po jeho dosiahnutí sa vnútorný pohon vypne a prívod vzduchu do motora sa preruší. Pri povolovaní stlačte spínač (A) na vrchnej strane nástroja a držte ho stlačený. Potom priťlačte nástroj na skrutku, ktorú chcete povoliť. Motor sa zapne a začne proces povolenia skrutky. Tento spínač môže zostať zaistený v stlačenej polohe, ak sa otáča (B).



## PRÍSLUŠENSTVO

Kompletné príslušenstvo je uvedené v nasledujúcich katalógoch:

- Priemyselné náradie
  - VB 2050484013
  - FR 2050484023
  - NEM 2050484033
  - SP 2050484043
  - IT 2050484053
  - US 2050484063
  - PORT 2050499023
  - RUS 2050499013
  - CHIN 2050499033
  - KOR 2050519203
  - MEX 2050519213



## MAZANIE



Tento nástroj patrí do kategórie DRYLINE, ktorá je určená na použitie s rozvodmi úplne suchého vzduchu, t.j. vzduchu bez akéhokoľvek obsahu oleja alebo vody. Nástroje DRYLINE možno použiť aj s mazanými alebo čiastočne mazanými rozvodmi vzduchu, čím je zabezpečená jednoduchá zameniteľnosť v existujúcich inštaláciách.

V prípade potreby mazania možno za filter nainštalovať lubrikátor vzduchového rozvodu.

Používajte ISO VG 15 (27652).

*Poznámka: Maximálny výkon sa dosahuje pri použití vzduchu s prísadou maziva.*

## POKYNY PRE ÚDRŽBU



Použitie iných náhradných dielov alebo príslušenstva ako tých, ktoré boli dodané výrobcom, sa môže prejavíť znížením výkonu a / alebo zvýšením nároku na údržbu, vyššou hlučnosťou, vibráciami a výsledným zrušením záruky dodávateľa.



- Údržbu treba vykonávať vždy po 1000 hodinách v prevádzke.
- Tolerancia uťahovacích momentov  $\pm 10\%$ .
- Gumové povrchy je potrebné očistiť bežným neagresívnym odmasťovačom.



Pri odstraňovaní súčiastok, mazív, atď... dbajte na dodržiavanie zodpovedajúcich bezpečnostných predpisov.



Nikdy nepripájajte čiastočne zmontované náradie na prívod vzduchu. Listy rotora tohto nástroja obsahujú PTFE (polytetrafluoretylén). Preto pri manipulácii s listami rotora treba dodržiavať obvyklé odporúčania týkajúce sa bezpečnosti a ochrany zdravia pri práci s PTFE.

- Nefajčte
- Komponenty motora treba umývať v kvapalnom čistiacom prostriedku. Nesmú byť ofukované vzduchovou hadicou.
- Umyte si ruky pred tým ako začnete s ďalšou činnosťou.



## ZÁRUKA SPOLOČNOSTI DESOUTTER

1. Spoločnosť Desoutter preberá záruku za chyby vo výrobe a vady materiálu na tomto výrobku maximálne po dobu 12 mesiacov po dátume zakúpenia od spoločnosti Desoutter alebo jej zástupcu, za predpokladu, že výrobok bol po celý čas používaný v jednosmennej prevádzke. Ak miera použitia prekračuje jednosmennú prevádzku, záručná doba sa proporcionálne skracuje.
2. Ak sa počas záručnej doby na výrobku objaví chyba výroby alebo materiálu, je potrebné vrátiť ho spoločnosti Desoutter alebo jej zástupcovi spolu so stručným opisom chyby. Spoločnosť Desoutter môže na základe vlastného posúdenia navrhnúť bezplatnú opravu alebo výmenu tých súčastí, ktoré boli posúdené ako chybné z dôvodu chyby výroby alebo materiálu.
3. Záruka sa nevzťahuje na výrobky, s ktorými bolo hrubo zaobchádzané, boli nesprávne používané alebo upravované, alebo ak na ich opravu boli použité iné než originálne náhradné súčasti od spoločnosti Desoutter, alebo boli upravované iným subjektom než spoločnosťou Desoutter alebo jej autorizovaným servisným zástupcom.
4. Ak spoločnosť Desoutter vynaloží náklady na opravu poškodenia vzniknutého pri hrubom zaobchádzaní, nesprávnom použití, náhodnom poškodení alebo neautorizovanej úprave, bude požadovať náhradu týchto výdavkov v plnej výške.
5. Spoločnosť Desoutter nenesie zodpovednosť za vynaloženú prácu alebo iné výdavky spôsobené chybným výrobkom.
6. Akékoľvek priame, náhodné alebo následné škody akéhokoľvek druhu, spôsobené akoukoľvek chybou výrobku, sú výslovne vylúčené zo záruky.
7. Táto záruka nahrádza akékoľvek iné záruky alebo podmienky, vyjadrené alebo predpokladané, týkajúce sa kvality, predajnosti alebo spôsobilosti na akýkoľvek konkrétny účel.
8. Nikto, či už zástupca, pracovník alebo zamestnanec spoločnosti Desoutter, nemá právo dopĺňať alebo akýmkoľvek spôsobom meniť podmienky tejto obmedzenej záruky.

## Originalna navodila.

### © COPYRIGHT 2014, DESOUTTER HP2 7SJ UK

Vse pravice pridržane. Vsakršna nepooblaščen uporaba ali razmonoževanje celote ali dela tega dokumenta je prepovedana. Prepoved se še posebej nanaša na blagovne znamke, imena modelov, številke sestavnih delov in risbe. Uporabljati je dovoljeno le rezervne dele pooblaščenih prodajalcev. Vsaka poškodba ali napaka pri delovanju, ki je posledica uporabe neavtoriziranih sestavnih delov, izključuje veljavnost garancijskih pogojev!

## NAMEN UPORABE

Ta izdelek je oblikovan za nameščanje in odstranjevanje navojnih sponk za les, kovino in plastiko.

Nobena druga uporaba ni dovoljena. Namenjeno le profesionalni uporabi.

## PODATKI

Glejte stran 5.

### Deklaracija o hrupu in vibracijah

Glejte stran 84.



Raven tresljajev.



Raven hrupa.

ahd, ah: Vibracijos lygiai.

K / K<sub>pA</sub> = K<sub>WA</sub> = 3 dB : Nestálos.

L<sub>pA</sub> : Raven zvočnega tlaka.

L<sub>WA</sub> : Raven zvočne moči.

Vse vrednosti veljajo kot tekoče od datuma te izdaje. Za najnovejše informacije obiščite stran [www.desouttertools.com](http://www.desouttertools.com).

Te navedene vrednosti so bile pridobljene z laboratorijskim testiranjem v skladu z navedenimi standardi in niso zadostne za uporabo pri oceni rizika. Vrednosti, izmerjene v posameznih delovnih prostorih, so lahko višje od navedenih vrednosti.

Dejanske vrednosti izpostave in nevarnost za poškodbe, ki jih izkusi posamezen uporabnik, so edinstvene in odvisne od načina, na katerega posameznik dela, obdelovanega kosa in zasnove delovne postaje; pa tudi od trajanja izpostavljenosti in telesnega stanja uporabnika.

Mi, Desoutter, ne moremo biti odgovorni za posledice uporabe navedenih vrednosti namesto vrednosti, ki odražajo dejansko izpostavljenost, v oceni individualnega rizika na delovnem mestu, nad katerim nimamo nobene kontrole.

To orodje lahko ob neprimerni uporabi povzroči vibracijsko bolezen v dlaneh in rokah.

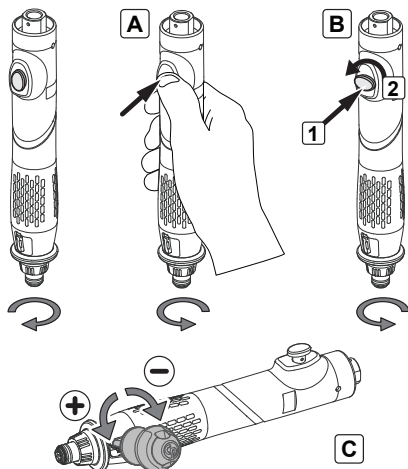
Vodič EU za obvladovanje vibracij v dlaneh in rokah najdete na [http://www.pneurop.eu/uploads/documents/pdf/PN3-02-NV\\_Declaration\\_info\\_sheet\\_0111.pdf](http://www.pneurop.eu/uploads/documents/pdf/PN3-02-NV_Declaration_info_sheet_0111.pdf)

Priporočamo program zdravstvenega nadzora za zgodnje odkrivanje simptomov, povezanih z izpostavljenostjo vibracijam, da se lahko z ustreznimi organizacijskimi ukrepi preprečijo nadaljnje poškodbe.

## DELOVANJE

Orodje s pravilno nameščenimi pripomočki priključite na dovod zraka. Primite orodje za gumijasto površino na ohišju motorja in ga pritisnite na navojno sponko, ki jo želite priviti. Motor se bo zagnal in sponko privil z izbranim navorom. Želeni navor izberete tako, da prilagodite napetost sklopke vzmeti (C). Pri tem bo notranji pogon izključen in prekinjen dovod zraka motorju.

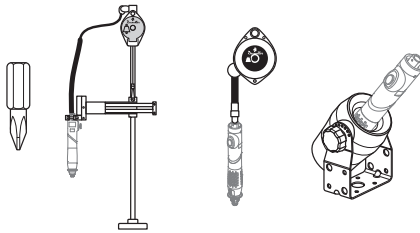
Za odvijanje pritisnite in držite gumb na vrhu orodja (A), nato pritisnite orodje (A) na sponko, ki jo želite odvit in motor se bo zagnal ter jo odvil. Ta gumb lahko zaklenete v pritisnjem položaju, če ga obrnete (B).



## PRIPOMOČKI

Vsi pripomočki so na voljo v naslednjem katalogu:

- Industrijska orodja
  - UK 2050484013
  - FR 2050484023
  - GER 2050484033
  - SP 2050484043
  - IT 2050484053
  - US 2050484063
  - PORT 2050499023
  - RUS 2050499013
  - CHIN 2050499033
  - KOR 2050519203
  - MEX 2050519213



## MAZANJE



To je orodje DRYLINE, zasnovano za delovanje na popolnoma suh zrak (zrak, ki ne vsebuje olja ali vode). Orodja DRYLINE lahko delujejo tudi na naoljen ali delno naoljen zrak, kar omogoča preprosto medsebojno zamenljivost z obstoječo opremo.

Če je potrebno mazanje, je treba za filtrom namestiti naoljevalnik zraka.

Uporabljajte ISO VG 15 (27652).

*Opomba: polno moč je mogoče doseči z naoljenim zrakom.*

## NAVODILA ZA VZDRŽEVANJE



Uporaba drugih rezervnih delov/ pripomočkov od teh, ki jih izvorno dobavlja proizvajalec, lahko privede do nižje kakovosti delovanja in/ali povišane potrebe po vzdrževanju / stopnje hrupa / povišanih vibracij ter lahko povzroči popolno razveljavitev izdelovalčevih obveznosti.



- Orodje je treba servisirati vsakih 1000 ur uporabe.
- Vse vrednosti za vrtilni moment  $\pm 10\%$ .
- Gumijaste površine je treba očistiti z neagresivnim detergentom za splošno čiščenje.



Pri odstranjevanju komponent, mazil itd. se prepričajte, ali so upoštevana ustrezna varnostna pravila.



Na dovod zraka nikoli ne priklaplajte delno sestavljenega orodja. Kraki rotorja v tem orodju vsebujejo politetrafluoretilenski material. Med uporabo teh krakov rotorja morate upoštevati zdravstvena in varnostna priporočila za politetrafluoretilen.

- Ne kadite.
- Dele motorja je treba umivati s čistilnim sredstvom in jih ne izpihati z dovodom zraka.
- Preden ponovno pričnete z delom, si umijte roke.

## GARANCIJA ZA IZDELEK DESOUTTER

1. Za ta izdelek Desoutter velja garancija za napake v izdelavi ali materialu za največ 12 mesecev od dneva nakupa pri družbi Desoutter ali njenih zastopnikih, pod pogojem, da je uporaba v tem obdobju omejena na enoizmensko. Če pogostost uporabe presega uporabo v eni izmeni, se garancijsko obdobje sorazmerno skrajša.
2. Če se v garancijskem obdobju pri izdelku pojavijo napake v izdelavi ali materialu, ga skupaj s kratkim opisom domnevne napake vrnite družbi Desoutter ali njenim zastopnikom. Družba Desoutter bo po lastni presoji zagotovila brezplačno popravilo ali zamenjavo izdelkov, pri katerih je bila ugotovljena napaka v izdelavi ali materialu.
3. Garancija ne velja za izdelke, ki so bili zlorabljeni, napačno uporabljeni, spremenjeni ali popravljeni z uporabo neoriginalnih delov, ki jih ni dobavila družba Desoutter. Garancija ne velja za izdelke, ki jih ni popravila družba Desoutter ali njen pooblaščen servisni zastopnik.
4. Če ima družba Desoutter zaradi popravila napake, ki je nastala kot posledica zlorabe, napačne uporabe, nenamernega poškodovanja ali nepooblaščenega spreminjanja, kakršnekoli stroške, bo zahtevala popolno poravnavo stroškov.
5. Družba Desoutter za izdelke z napako ne priznava zahtevkov za delo ali drugih nastalih stroškov.
6. Kakršnakoli neposredna, naključna ali posledična škoda, ki na kakršenkoli način izhaja iz katerekoli napake, je izrecno izključena.
7. Ta garancija velja namesto vseh drugih garancij ali določil, izrecnih ali implicitnih, za kakovost, prodajnost ali primernost za katerikoli določen namen.
8. Nihče, ne zastopniki ne uslužbenci družbe Desoutter, nima dovoljenja za dodajanje ali spreminjanje določil te omejene garancije na kakršenkoli način.

## Originali instrukcija.

### © COPYRIGHT 2014, DESOUTTER HP2 7SJ UK

Visos teisės saugomos. Šį tekstą arba jo dalį naudoti arba kopijuoti negavus leidimo draudžiama. Tai taikoma prekyženklams, modelio pavadinimui, dalių numeriams ir brėžiniams. Naudokite tik tas dalis, kurios yra patvirtintos. Jeigu žala arba gedimas atsiranda naudojant nepatvirtintas dalis, garantija arba atsakomybė dėl gaminio netaikoma.

## GAMINIO PASKIRTIS

Šis produktas yra skirtas srieguotiems varžtams įsukti iš išsukti iš medžio, metalo ir plastmasės. Draudžiama naudoti kitiems tikslams. Tik profesionaliam naudojimui.

## DUOMENYS

Žr. 5. puslapyje.

### Triukšmo ir virpesių deklaracija

Žr. 84 puslapyje.



Vibracijos lygiai.



Garso lygiai.

**ahd, ah:** Vibracijos lygiai.

**K / K<sub>pA</sub> = K<sub>WA</sub> = 3 dB:** Paklaida.

**L<sub>pA</sub>:** Garso slėgio lygis.

**L<sub>WA</sub>:** Garso galios lygis.

Visos pateiktos vertės galioja leidinio išleidimo metu. Naujausios informacijos ieškokite adresu: [www.desouttertools.com](http://www.desouttertools.com).

Šios deklaruotos vertės buvo gautos laboratorinio tipo testavimo metu pagal nustatytus standartus ir nėra tinkamos naudoti rizikingiems vertinimams. Vertės išmatuotos asmeninėse darbo vietose gali būti didesnės nei deklaruotos vertės.

Tikrosios keliamos rizikos vertės ir žalos pavojus patirtas atskiro vartotojo yra unikalūs ir priklauso nuo to, kaip vartotojas dirba, atliekamo darbo ir darbo vietos konstrukcijos taip pat poveikio laiko ir fizinės vartotojo būklės.

„Desoutter“ neatsako už pasekmes naudojant deklaruotas vertes vietoj tikrąją keliamą riziką atitinkančių verčių, kai rizika vertinama tam tikroje darbo situacijoje, kurios mes nevaldome.

Jei įrankis naudojamas netinkamai, jis gali sukelti. plaštakos ir rankos vibracijos sindromą.

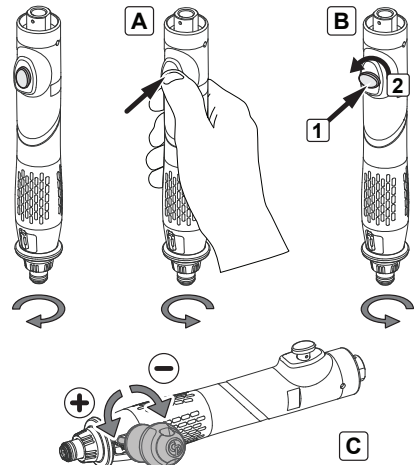
Pliaštakos ir rankos vibracijos valdymo ES vadovą galite rasti adresu [http://www.pneurop.eu/uploads/documents/pdf/PN3-02-NV\\_Declaration\\_info\\_sheet\\_0111.pdf](http://www.pneurop.eu/uploads/documents/pdf/PN3-02-NV_Declaration_info_sheet_0111.pdf)

Ankstyviems simptomams, kurie gali būti susiję su vibracijos ekspozicija, nustatyti ir valdymo procedūroms keisti taip, kad išvengtumėte pakenkimo ateityje, mes rekomenduojame sveikatos priežiūros programą.

## NAUDOJIMAS

Pritvirtinę tinkamą detalę įrankį prijunkite prie oro tiekimo šaltinio. Suimkite įrankį už variklio dėklo guminio paviršiaus ir pridėkite jį prie varžto, kurį norite priveržti. Variklis užsives ir prisuks varžtą reikiamu sąsūkos momentu. Reikiamas sąsūkos momentas išgaunamas reguliuojant movos spyruoklės įtempimą (C). Šiuo metu išjungiamo vidinė pavara ir išjungiamas varikliui tiekiamas oras.

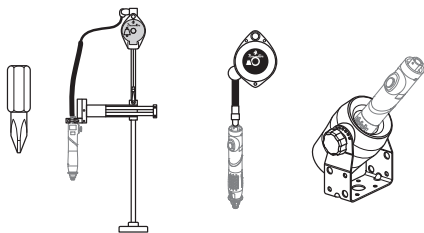
Norėdami atsukti, paspauskite ir laikykite nuspaukę mygtuką įrankio viršuje (A), tada įrankį pridėkite prie varžto, kurį reikia atsukti, variklis užsives ir atsuks varžtą. Šį mygtuką paspausta galima užfiksuoti jį pasukant (B).



**PRIEDAI**

Visi priedai pateikiami šiuose kataloguose:

- Pramoniniai įrankiai
- UK 2050484013
- FR 2050484023
- GER 2050484033
- SP 2050484043
- IT 2050484053
- US 2050484063
- PORT 2050499023
- RUS 2050499013
- CHIN 2050499033
- KOR 2050519203
- MEX 2050519213

**TEPIMAS**

Tai yra SAUSOS LINIJOS įrankis, sukurtas naudoti su visiškai sausa oro linija, t. y., kurioje visai nėra alyvos ar drėgmės. SAUSOS LINIJOS įrankius taip pat galima naudoti su tepama arba dalinai tepama oro linija, todėl jie lengvai suderinami su turima įranga.

Jei oro linijai reikia tepimo, tepalinę reikia montuoti už filtro.

Naudokite ISO VG 15 (27652).

*Pastaba: visa galia pasiekama naudojant tepamą oro srautą.*

**PRIEŽIŪROS INSTRUKCIJOS**

Naudojant kitas, o ne gamintojo pateikiamas, atsargines dalis/priedus gali suprastėti įrenginio eksploatacinės savybės ir/arba padidėti poreikis remontui/triukšmo lygis/vibracijos, o dėl to gamintojo garantija gali būti visiškai nutraukta.



- Techninės priežiūros darbus reikia atlikti kas 1000 darbo valandų.
- Visoms sukimo momentą žyminčioms vertėms taikoma  $\pm 10\%$  paklaida.
- Guminius paviršius reikėtų nuvalyti su bendros paskirties, nestipria riebalų šalinimo priemone.



Utilizuodami dalis, tepimo priemones ir kt., būtina laikytis jų utilizavimui taikomų saugos procedūrų.



Niekada dalinai sumontuoto įrankio neprijunkite prie oro tiekimo įrenginio. Šio įrankio sukamose geležtėse yra politetrafluoretileno. Dirbant su šiomis sukamomis geležtėmis reikia laikytis įprastų sveikatos ir saugos rekomendacijų dėl politetrafluoretileno.

- Nerūkykite.
- Variklio komponentus reikia nuplauti valomuoju skysčiu ir neapūsti oro pūtikliu.
- Prieš darydami ką nors kita nusiplaukite rankas.

## DESOUTTER GARANTIJA

1. Šiam Desoutter gaminiui suteikiama garantija nuo netinkamos gamybos ar medžiagų, maksimalus jos laikotarpis yra 12 mėnesių nuo pirkimo iš Desoutter ar jos atstovų, su sąlyga, kad gaminys tokiu laikotarpiu naudojamas tik po vieną pamainą per parą. Jei gaminys naudojamas daugiau nei po vieną pamainą per parą, garantinis laikotarpis proporcingai sutrumpinamas.
2. Jei garantiniu laikotarpiu paaiškėja, kad gaminys turi gamybos ar medžiaginių defektų, jį reikia gražinti Desoutter arba jos atstovams, kartu pateikiant glaustą įtariamo defekto aprašymą. Desoutter savo nuožiūra nemokamai remontuos arba pakeis tokias dalis, kurios jai atrodytų netinkamos dėl blogos gamybos arba blogų medžiagų.
3. Ši garantija negalioja gaminiams, kuriais buvo piktnaudžiaujama, kurie buvo neteisingai naudojami arba keičiami, arba kurie buvo remontuojami naudojant ne originalias Desoutter atsargines dalis, arba jei jį remontavo ne įgalioti Desoutter priežiūros atstovai.
4. Jei Desoutter patiria išlaidų ištaisydamą defektą, kurį sukėlė piktnaudžiavimas, neteisingas naudojimas, netyčinis sugadinimas ar neleistinas keitimas, jį reikalaus apmokėti visas tokias išvadas.
5. Desoutter nepriima pretenzijų dėl darbo ir kitokių išlaidų, patirtų naudojant brokuotus gaminius.
6. Aiškiai atsisakoma atlyginti bet kokius tiesioginius, šalutinius ar pasekminius nuostolius, atsiradusius dėl bet kokio defekto.
7. Ši garantija suteikiama vietoje visų kitų garantijų ar sąlygų, išreikštų ar numanomų, dėl kokybės, tinkamumo parduoti ar tinkamumo bet kokiam konkrečiam tikslui.
8. Niekas, joks Desoutter atstovas, tarnautojas ar darbuotojas, nėra įgaliotas papildyti ar keisti šios ribotos garantijos sąlygų.

## Оригинальная инструкция по эксплуатации. © COPYRIGHT 2014, DESOUTTER HP2 7SJ UK

Все права защищены. Любое незаконное использование или воспроизведение, полное или частичное, запрещены. Это относится, в частности, к зарегистрированным товарным знакам, наименованиям моделей, номерам деталей и схем. Использовать исключительно разрешенные детали. Гарантия продукта не распространяется на любые убытки или ненадлежащее функционирование, вызванные использованием не разрешенной детали, в данном случае производитель не будет нести ответственности.

### НА ЗНА ЧЕНИЕ

Это изделие предназначено для установки резьбовых крепежных деталей в деревянные, металлические и пластиковые поверхности, а также для извлечения этих деталей.

Любое другое использование не разрешается. Предназначается исключительно для профессионального использования.

### ТЕХНИЧЕСКИЕ ХАРАКТЕРИСТИКИ

См стр 5.

#### Заявленные шумовые и вибрационные характеристики

См стр 84.



Колебательные уровни.



Уровни шума.

**a<sub>hd</sub>, a<sub>h</sub>**: Колебательные уровни.

**K / K<sub>pA</sub>** = **K<sub>WA</sub>** = **3 dB** : Неточно.

**L<sub>pA</sub>** : Уровень акустического давления  
dB(A) (dB(A))

**L<sub>WA</sub>** : Уровень акустической мощности  
dB(A) (dB(A))

Все значения являются действительными на дату настоящей публикации. Для получения дальнейшей информации посетите веб-сайт [www.desouttertools.com](http://www.desouttertools.com).

Эти заявленные параметры были получены при испытаниях, проведенных в лабораторных условиях и соответствующих указанным стандартам, и недостаточны для использования в оценках риска. Параметры, измеренные на индивидуальных рабочих местах, могут иметь более высокие значения по сравнению с заявленными значениями. Фактические параметры воздействия и риск причинения вреда отдельным лицам несут

индивидуальный характер и зависят от приемов работы, обрабатываемой заготовки и особенностей рабочего места, также от длительности воздействия и физического состояния пользователя.

Наша компания, Desoutter, не может нести ответственность за последствия использования заявленных параметров, а не параметров, отражающих фактическое воздействие, в оценке риска в ситуации, которая создается на индивидуальном рабочем месте и которая находится вне нашего контроля.

При неправильной работе с этим инструментом он может вызвать вибрационный синдром рук/кистей. Рекомендации EU по вибрационному синдрому рук/кистей можно найти здесь: [http://www.pneurop.eu/uploads/documents/pdf/PN3-02-NV\\_Declaration\\_info\\_sheet\\_0111.pdf](http://www.pneurop.eu/uploads/documents/pdf/PN3-02-NV_Declaration_info_sheet_0111.pdf)

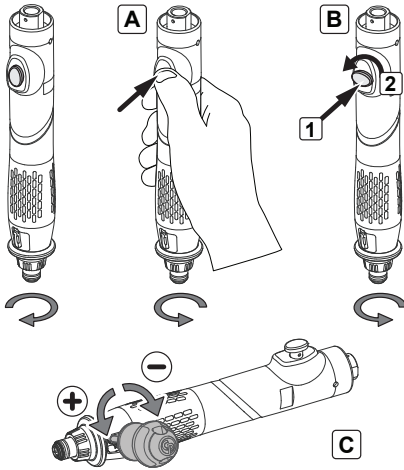
Мы рекомендуем программу контроля за здоровьем, которая обеспечивает раннее обнаружение симптомов вредного воздействия вибрации и позволяет своевременно пересмотреть процедуру обслуживания, чтобы предотвратить дальнейшее ухудшение.

### ФУНКЦИОНИРОВАНИЕ

Установив необходимый аксессуар, подсоедините подачу воздуха к устройству. Обхватите устройство за ребристую поверхность в районе двигательного отсека и прижмите его к шурупу, который необходимо вернуть. Двигатель начнет вращаться и ввинчивать шуруп до необходимого усилия затяжки. Необходимый момент затяжки можно получить, регулируя давление на пружине муфты (C). При этом внутренний двигатель должен быть отключен, а подача воздуха к двигателю – прекращена.

Чтобы вывернуть шуруп, нажмите и удерживайте кнопку в верхней части устройства (A), а затем прижмите устройство к шурупу, который нужно вывернуть. Двигатель запустится и вывернет шуруп. Данная кнопка может быть зафиксирована в этом положении, если её повернуть (B).

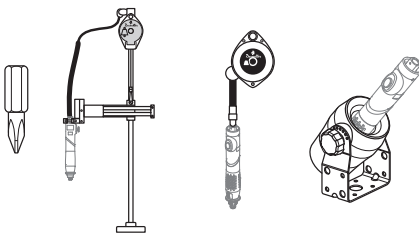




## АКСЕССУАРЫ

Все аксессуары можно найти в следующих каталогах:

- Промышленные инструменты
  - АНГЛ 2050484013
  - ФР 2050484023
  - ГЕРМ 2050484033
  - ИСП 2050484043
  - ИТАЛ 2050484053
  - США 2050484063
  - ПОРТ 2050499023
  - РОС 2050499013
  - КИТ 2050499033
  - КОР 2050519203
  - МЕКС 2050519213



## СМАЗКА



Инструмент DRYLINE предназначен для работы с абсолютно сухим воздухом, не содержащим масла или влаги. Инструменты DRYLINE могут также работать с воздухом, содержащим масло или частично содержащим масло, что обеспечивает легкую взаимозаменяемость деталей в имеющихся установках.

Если инструмент требует смазки, то устройство подачи смазки должно располагаться ниже фильтра по направлению движения воздуха. Следует применять стандарт ISO VG 15 (27652).

*Примечание: полная мощность достигается при использовании источника подачи воздуха, содержащего смазку.*

## УКА ЗА НИЕ ПО УЕХНИЧЕСКОМУ ОБСЛУЖИВА НИИ



Использование запасных частей или аксессуаров, отличных от поставляемых оригинальным производителем, может привести к падению мощности и (или) необходимости более частого обслуживания, а также к повышению уровня шумов / вибрации и, как следствие, повлечь за собой полное снятие ответственности с производителя.



- Техническое обслуживание необходимо выполнять через каждые 1000 часов эксплуатации.
- Все указанные крутящие моменты могут варьироваться на величину  $\pm 10\%$ .
- Ребристые поверхности необходимо протирать универсальным неагрессивным обезжиривающим средством.



При удалении компонентов, смазочного материала и т.д. убедитесь в соблюдении порядка техники безопасности.



Никогда не подсоединяйте подачу воздуха к разобранному устройству. Лопасти ротора в этом устройстве частично состоят из ПТФЭ. При работе с этими роторными лопастями следует придерживаться общих рекомендаций по охране труда и технике безопасности при работе с ПТФЭ.

- Не курить.
- Элементы двигателя необходимо очищать не сжатым воздухом, а промывать очищающей жидкостью.
- После работы обязательно мойте руки.

## ГАРАНТИЯ ФИРМЫ DESOUTTER

1. На данное изделие компании Desoutter распространяются гарантийные обязательства производителя в случае обнаружения дефектов изготовления или материалов в течение не более 12 месяцев с момента приобретения изделия у компании Desoutter или ее представителей при условии, что в указанный период эксплуатация изделия проводилась в одну смену. Если интенсивность эксплуатации изделия превышает односменную работу, то гарантийный период сокращается пропорционально эксплуатации.
2. При обнаружении в течение гарантийного периода дефектов изготовления или материалов изделие должно быть возвращено компании Desoutter или ее представителю с кратким описанием предполагаемой неисправности. Компания Desoutter обязуется по своему усмотрению бесплатно отремонтировать или заменить детали, которые, по мнению потребителя, содержат дефекты изготовления или материалов.
3. Данное гарантийное обязательство не распространяется на изделия, вышедшие из строя в результате неверной эксплуатации или с нарушением правил, а также, если в их конструкцию были внесены изменения или выполнен ремонт с использованием не оригинальных запасных частей Desoutter, или кем-либо, не являющимся авторизованным представителем сервисной службы Desoutter.
4. Компания Desoutter вправе потребовать полного возмещения расходов, связанных с исправлением дефектов, вызванных неверным использованием изделия, эксплуатацией с нарушением правил, неосторожным обращением или несанкционированным изменением конструкции.
5. Компания Desoutter не принимает претензии по возмещению расходов на оплату труда и других издержек, вызванных дефектами изделий.
6. Компания Desoutter также не принимает претензий в отношении прямых или последующих повреждений, вызванных какими-либо дефектами ее изделий.
7. Данное гарантийное обязательство заменяет собой все другие явные или подразумеваемые гарантийные обязательства в отношении качества, товарного состояния или пригодности для каких-либо конкретных целей.

- Никто из сотрудников Desoutter, будь то агент, служащий или работник, не вправе изменять условия данного ограниченного гарантийного обязательства ни при каких условиях.

## NOISE AND VIBRATION EMISSION



Part number	Model	ISO 28927-2 (3 axis)		ISO 8662-7 (1 axis)	ISO 15744	
		$a_{hd}$ m/s <sup>2</sup>	K m/s <sup>2</sup>	$a_h$ m/s <sup>2</sup>	$L_{pA}$ dB(A)	$L_{WA}$ dB(A)
2051472724	SC2-065A500-R4Q	<2.5	-	5.1 - 8.7	71	-
2051472734	SC2-055A700-R4Q	<2.5	-	4.9 - 9.3	71	-
2051472744	SC2-045A1000-R4Q	<2.5	-	4.6 - 8	71	-
2051472754	SC2-035A1500-R4Q	<2.5	-	6.4	71	-
2051472764	SC2-025A2200-R4Q	<2.5	-	4.5	71	-



**DEUTSCH (GERMAN)** (1) EG-KONFORMITÄTSERKLÄRUNG - (2) Wir, **DESOUTTER** - (3) Technische Datei beim EU - (4) erklären hiermit, daß das (die) Produkt(e) : (5) Drehschrauber - (6) Typ(en) : - (6) Produkturkunft - (7) den Anforderungen der EG-Richtlinie zur Angleichung der Rechtsvorschriften der Mitgliedsstaaten - (8) für "**Maschinen**" **2006/42/EG** (17/05/06) - (9) für "**Elektromagnetische Störfreiheit**" **2004/108/EG** (15/12/04) - (10) für "**Niederspannung**" **2006/95/EG** (12/12/06) - entspricht (entsprechen) - (11) geltende harmonisierte Norm(e) - (12) NAME und EIGENSCHAFT des Ausstellers : - (13) Datum :

**NEDERLANDS (DUTCH)** (1) E.G.-VERKLARING VAN OVEREENSTEMMING - (2) De firma : **DESOUTTER** - (3) Technisch bestand verkrijgbaar - (4) verklaart hierbij dat het (de) produkt(en) : Schroevendraaiers - (5) type : - (6) Herkomst van het product - (7) in overeenstemming is (zijn) met de vereisten van de richtlijn van de Raad inzake de onderlinge aanpassing van de wetgevingen van de lidstaten betreffende : (8) "**machines**" **2006/42/CEE** (17/05/06) - (9) "**elektromagnetische compatibiliteit**" **2004/108/EG** (15/12/04) - (10) "**laagspanning**" **2006/95/EG** (12/12/06) - (11) geldige geharmoniseerde norm(en) - (12) NAAM en FUNCTIE van de opsteller : - (13) Datum

**SVENSKA (SWEDISH)** (1) EG-DEKLARATION OM ÖVERENSSTÄMMELSE - (2) Vi **DESOUTTER** - (3) Teknisk fil tillgänglig från - (4) Förklarar att maskinen : Skruvmaskiner - (5) Maskintyp : - (6) Produktens ursprung - (7) För vilken denna deklARATION gäller, överensstämmer med kraven i Ministerrådets direktiv om harmonisering av medlemsstaternas lagar rörande - (8) "**maskiner**" **2006/42/EEG** (17/05/06) - (9) "**elektromagnetisk kompatibilitet**" **2004/108/EEG** (15/12/04) - (10) "**lågspänning**" **2006/95/EEG** (12/12/06) - (11) Harmoniserade standarder som tillämpats : - (12) Utfärdarens namn och befattning : - (13) Datum :

**NORSK (NORWEGIAN)** (1) EF ERKLÆRING OM OVERENSSTEMMELSE - (2) Vi **DESOUTTER** - (3) Teknisk dokument tilgjengelig - (4) Erklærer at produktet/produktene : Skruttekere - (5) av type : - (6) Produktets opprinnelse - (7) er i overensstemmelse med de krav som finnes i Ministerrådets direktiver om tilnærning av Medlemsstatenes lover vedrørende : - (8) "**maskiner**" **2006/42/EF** (17/05/06) - (9) "**elektromagnetisk kompatibilitet**" **2004/108/EF** (15/12/04) - (10) "**lavspenning**" **2006/95/EF** (12/12/06) - (11) Harmoniserende standarder som er anvendt : - (12) Utstederens navn og stilling : - (13) Dato :

**DANSK (DANISH)** (1) EF OVERENSSTEMMELSESERKLÆRING - (2) Vi **DESOUTTER** - (3) Teknisk dokument kan fås på - (4) erklærer at produkt(erne) : Skruemaskiner - (5) type : - (6) Produktets oprindelse - (7) er i overensstemmelse med kraven i Rådets Direktiv vedr. tilnærmelse mellem medlemslandenes love for - (8) "**maskiner**" **2006/42/EF** (17/05/06) - (9) "**elektromagnetisk kompatibilitet**" **2004/108/EF** (15/12/04) - (10) "**lavspænding**" **2006/95/EF** (12/12/06) - (11) Gældende harmoniserede standarder : - (12) Udsteder, navn og stilling : - (13) Dato

**SUOMI (FINNISH)** (1) ILMOTIUS YHDENMUKAISUDESTA EY - (2) Me **Toiminimi DESOUTTER** - (3) Tekniset tiedot saa EU:n - (4) vakuutamme, että tuote / tuotteet : Ruuvitalat - (5) tyyppi(-pit) : - (6) Tekniset tiedot saa EU:n - (7) on / ovat yhdenmukainen(-sia) neuvoston jäsenmaiden lainsäädäntää koskevien direktiivien vaatimusten kanssa, jotka koskevat : - (8) "**koneita**" **2006/42/EY** (17/05/06) - (9) "**elektromagneettista yhteensopivuutta**" **2004/108/EY** (15/12/04) - (10) "**matalajännitettä**" **2006/95/EY** (12/12/06) - (11) yhdenmukaistettuja (tuotte) soveltuvaa(t) standardi(t) : - (12) ilmoituksen antajan nimi ja ASEMÄ - (13) Päiväys

**ESPAÑOL (SPANISH)** (1) DECLARACION DE CONFORMIDAD CE - (2) Nosotros **DESOUTTER** - (3) Archivo técnico disponible en - (4) declaramos que el producto : Destornilladores - (5) tipo de máquina : - (6) Origen del producto - (7) es conforme a los requisitos de la Directiva del Consejo sobre la aproximación de las leyes de los Estados Miembros con relación - (8) a la "**maquinaria**" **2006/42/CE** (17/05/06) - (9) a la "**compatibilidad electromecánica**" **2004/108/CE** (15/12/04) - (10) a la "**baja tensión**" **2006/95/CE** (12/12/06) - (11) normas armonizadas aplicadas : - (12) Nombre y cargo del expedidor : - (13) Fecha

**PORTUGUÊS (PORTUGUESE)** (1) DECLARAÇÃO DE CONFORMIDADE CE - (2) Nós **DESOUTTER** - (3) Ficheiro técnico disponível na - (4) declaramos que o produto : Parafusadeiras - (5) tipo de máquina : - (6) Origem do produto - (7) está em conformidade com os requisitos da Directiva do Conselho, referente às legislações dos Estados-membros relacionados com : - (8) "**maquinaria**" **2006/42/CE** (17/05/06) - (9) "**compatibilidade electromagnética**" **2004/108/CE** (15/12/04) - (10) "**baixa tensão**" **2006/95/CE** (12/12/06) - (11) Normas harmonizadas aplicáveis - (12) Nome e cargo do emissor : - (13) Data:

**ITALIANO (ITALIAN)** (1) DICHIARAZIONE DI CONFORMITÀ CE - (2) La Società : **DESOUTTER** - (3) File tecnico disponibile dal - (4) dichiara che il(0) prodotto(i) : Cacciaviti - (5) tipo : - (6) Origine del prodotto - (7) è (sono) in conformità con le esigenze previste dalla Direttiva del Consiglio, sulle legislazioni degli Stati membri relative : - (8) alle "**macchine**" **2006/42/CE** (17/05/06) - (9) alla "**compatibilità elettromagnetica**" **2004/108/CE** (15/12/04) - (10) alla "**bassa tensione**" **2006/95/CE** (12/12/06) - (11) norma(e) armonizzata(e) applicabile(i) : - (12) NOME e FUNZIONE del dichiarante - (13) Data

**ΕΛΛΗΝΙΚΑ (GREEK)** (1) ΔΗΛΩΣΗ ΠΙΣΤΟΤΗΤΑΣ ΕΚ - (2) Η εταιρεία : **DESOUTTER** - (3) Τεχνικός φάκελος διαθέσιμος - (4) δηλώνει υπεύθυνα ότι το(τα) προϊόν(-vta) : καταβίδι - (5) τύπου(-ων) : - (6) Προέλευση προϊόντος - (7) είναι σύμφωνα-(α) προς τις απαιτήσεις της Οδηγίας του Συμβουλίου που αφορά την προεγγύηση των νομοθεσιών των κρατών μελών της οριστικής με : - (8) τα "**μηχανήματα**" **2006/42/ΕΟΚ** (17/05/06) - (9) την "**ηλεκτρομαγνητική συμβατότητα**" **2004/108/ΕΟΚ** (15/12/04) - (10) τη "**χαμηλή τάση**" **2006/95/ΕΟΚ** (12/12/06) - (11) εφαρμοστέα(-ες) εναρμονισμένο(-α) πρότυπο(-α) : - (12) ΟΝΟΜΑ και ΑΡΜΟΔΙΟΤΗΤΑ του δηλούντος : - (13) Ημερομηνία

**ČESKY (CZECH)** (1) PROHLÁŠENÍ O SOULADU S PŘEDPISY ES - (2) My, firma **DESOUTTER** - (3) Technický soubor, dostupný - (4) prohlašujeme, že výrobek (výrobky) : Šroubováky - (5) typ přístroje (přístrojů) : - (6) Původ výrobku - (7) je v souladu s požadavky směrnice Rady EÚ o aproximaci práva členských států EÚ, a to v těchto oblastech : - (8) "**přístroje**" **2006/42/CE** (17/05/06) - (9) "**elektromagnetická kompatibilita**" **2004/108/CE** (15/12/04) - (10) "**Nizké napětí**" **2006/95/CE** (12/12/06) - (11) *relevantní harmonizované normy* : - (12) Jméno a funkce osoby, která prohlášení vystavila - (13) Datum

**MAGYAR (HUNGARIAN)** (1) CE MEGFELELŐSÉGI NYILATKOZAT - (2) Mi, az : **DESOUTTER** - (3) A műszaki leírás az EU-s - (4) kijelentjük, hogy a termék(ek) : Csavarbehajtók - (5) géptípus(ok) : - (6) A műszaki leírás az EU-s - (7) megfelel(nek) a tagországok törvényeiben megfogalmazott, alábbiakban szereplő tanácsis irányelvek követelményeinek : - (8) "**Gépek, berendezések**" **2006/42/EC** (17/05/06) - (9) "**Elektromágneses kompatibilitás**" **2004/108/EC** (15/12/04) - (10) "**Alacsony feszültségű szabványok**" **2006/95/EC** (12/12/06) - (11) alkalmazható harmonizált szabvány(ok) : - (12) Kibocsátó neve és adatai - (13) Dátum:

**LIETUVIŠKAI (LITHUANIAN)** (1) EB ATITIKTIS DEKLARACIJA - (2) Mes : **DESOUTTER** - (3) Techninius duomenis galite - (4) pareiškiame, kad gaminys(-iai) : Atsuktuvai - (5) mašinos tipas(-ai) : - (6) Produkto kilmė - (7) atitinka Europos Tarybos Direktyvų reikalavimus dėl valstybių narių įstatymų, susijusių : - (8) su „mašinomis“ **2006/42/EB** (17/05/06) - (9) su „Elektromagnetiniu suderinamumu“ **2004/108/EB** (15/12/04) - (10) su „Žema įtampa“ **2006/95/EB** (12/12/06), suderinimo : - (11) taikomi harmonizuoti standartai : - (12) Išdavusio asmens pavardė ir pareigos - (13) Data

**SLOVENŠČINA (SLOVENIAN)** (1) IZJAVA ES O SKLADNOSTI - (2) Mi : **DESOUTTER** - (3) Tehnična kartoteka je na voljo - (4) izjavljamo, da je izdelek (oziroma izdelki) : Izvijachi - (5) vrsta stroja (oziroma vrste) : - (6) Izvor izdelka - (7) v skladu z zahtevami direktiv Sveta Evrope o približevanju zakonodaje držav članic glede : - (8) "strojev" **2006/42/ES** (17/05/06) - (9) "Elektromagnetne združljivosti" **2004/108/ES** (15/12/04) - (10) "Nizke napetosti" **2006/95/ES** (12/12/06) - (11) veljavnih harmoniziranih standardov - (12) Ime in funkcija izdajatelja - (13) Datum

**POLSKI (POLISH)** (1) UE –DEKLARACJA ZGODNOŚCI - (2) My, firma **DESOUTTER**- (3) Plik techniczny jest dostępny w - (4) oświadczamy, że produkt (produkty): Śrubokręty - (5) urządzenie typu (typów): - (6) Pochodzenie produktu - (7) jest (są) zgodne z wymogami Dyrektywy Rady, odpowiadającej ustawodawstwu krajów członkowskich i dotyczącej: - (8) **"maszyn i urządzeń" 2006/42/UE** (17/05/06) - (9) **Zgodności elektro-magnetycznej 2004/108/UE** (15/12/04) - (10) **"niskich napięć " 2006/95/UE** (12/12/06) - (11) *stosowanych norm, wzajemnie zgodnych* : - (12) Nazwisko i stanowisko wydającego deklarację : - (13) Data

**SLOVENSKY (SLOVAK)** (1) **DEKLARÁCIA ER O SÚHLASE** - (2) My: **DESOUTTER** -(3) Technický súbor k dispozícii z - (4) prehlasujeme, že výrobok (y): Skrutkovače - (5) strojový typ(y): - (6) Pôvod produktu alebo výrobu - (7) zodpovedá požiadavkom Smerníc rady, týkajúcich sa aproximácie zákonov členských štátov, pre: - (8) **"strojnè zariadenia" 2006/42/EC** (17/05/06) - (9) po **"Elektromagnetickú kompatibilitu" 2004/108/EC** (15/12/04) - (10) po **"Nízke napätie" 2006/95/EC** (12/12/06) - (11) *zodpovedajúce harmonizačné normy* : - (12) Meno a funkcia vystavovateľa dokladu - (13) Dátum

**LATVISKI (LATVIAN)** (1) **EK ATBILSTĪBAS DEKLARĀCIJA** - (2) Mēs, **kompānija DESOUTTER** -(3) Tehniskais fails pieejams ES - (4) deklarējam, ka šis (-ie) izstrādājums (-i): Skrūvgrēdži - (5) ierīces tips (-i): - (6) Izstrādājuma izcelsme - (7) atbilst Padomes Direktīvu prasībām par dalībvalstu likumu piemērošanu, kas attiecas uz: - (8) **"mehānismiem" 2006/42/EK** (17/05/06) - (9) **"elektromagnētisko savietojamību " 2004/108/EK** (15/12/04) - (10) **"zemspriegumu" 2006/95/EK** (12/12/06) - (11) *spēkā esošajam (-iem) saskaņotajam (-iem) standartam (-iem)* : - (12) Pieteicēja vārds un amats - (13) Datums

**中文 (CHINESE)** (1) **BC 一致性声明** - (2) 我们: **DESOUTTER** -(3) 技术参数资料可以从EU总部获得。 - (4) 声明其产品: 螺丝刀- (5) 机器类型: - (6) 产品原产地 - (7) 符合会员国立法会议“决定”的相关要求: - (8) **"机械" 2006/42/EC** (17/05/06) - (9) **"电磁相容性" 2004/108/EC** (15/12/04) - (10) **"低电压" 2006/95/EC** (12/12/06) - (11) *适用协调标准* : - (12) 发行者名称和地点 - (13) 日期

**РУССКИЙ (RUSSIAN)** (1) **ДЕКЛАРАЦИЯ СООТВЕТСТВИЯ** - (2) Мы: **DESOUTTER** -(3) Технический файл можно - (4) заявляем, что продукция: отвертку - (5) тип оборудования: - (6) Происхождение продукта - (7) соответствует требованиям директивы европейского совета относительно законодательств стран-участниц по: - (8) **"Машинному оборудованию" 2006/42/EC** (17/05/06) - (9) по **"Электромагнитной совместимости" 2004/108/EC** (15/12/04) - (10) по **"Низкому напряжению" 2006/95/EC** (12/12/06) - (11) *применяемые согласованные нормы* : - (12) Фамилия и должность составителя - (13) Дата

(2) We :

(Fr) Nous

**Desoutter Ltd  
Zodiac – Unit 4  
Boundary Way  
Hemel Hempstead  
Herts – UK  
HP2 7SJ**

(3) Technical file available from EU headquarter.

(Fr) Dossier technique disponible auprès du siège social

**Nicolas Lebreton, R&D Manager  
CP  
38 rue Bobby Sands – BP 10273  
44818 Saint Herblain – France**

(4) declare that the product(s):

(Fr) déclarons que les produits

**PNEUMATIC SCREWDRIVERS**

(Fr) Visseuses pneumatiques

(5) Machine type(s) :

(Fr) type(s)

Box label : stick here  
Coller l'étiquette ici

(6) Origin of the product : Hungary

(Fr) Origine du produit

(7) is in conformity with the requirements of the council Directives on the approximation of the laws of the Member States relating :

(Fr) est (sont) en conformité avec les exigences de la Directive du conseil, concernant les législations des états membres relatives :

(8) to **"Machinery" 2006/42/EC** (17/05/2006)

(Fr) aux **"Machines" 2006/42/CE** (17/05/2006)

(11) applicable harmonized standard(s) : EN ISO 11148-6 : 2012

(Fr) Norme(s) harmonisée(s) applicable(s) :

(12) NAME and POSITION of issuer :

(Fr) NOM et FONCTION de l'émetteur :

**Nicolas LEBRETON**

**( R&D Manager)**

(13) Place & date : Saint Herblain , 10/10/2014

(Fr) Place et date

